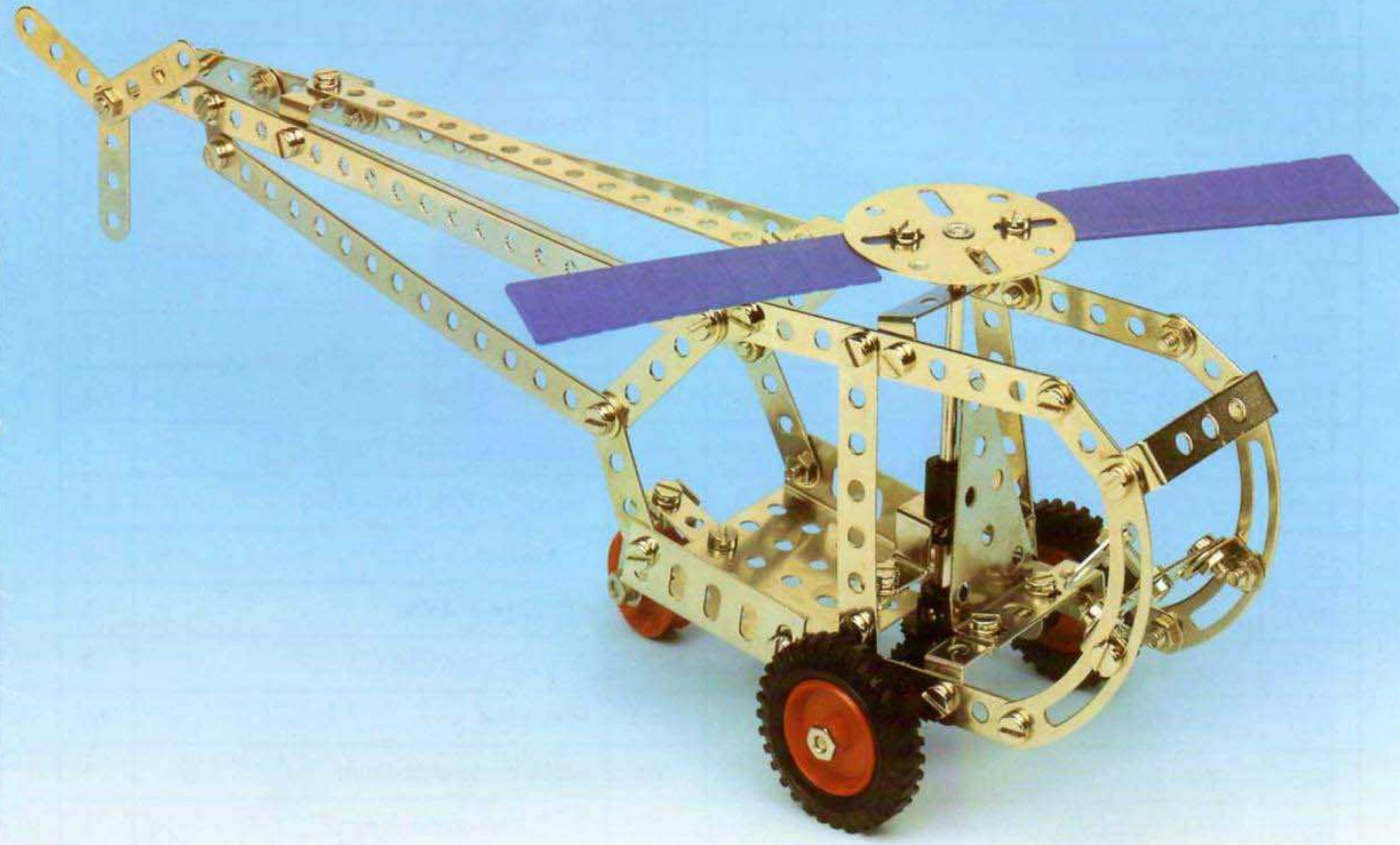
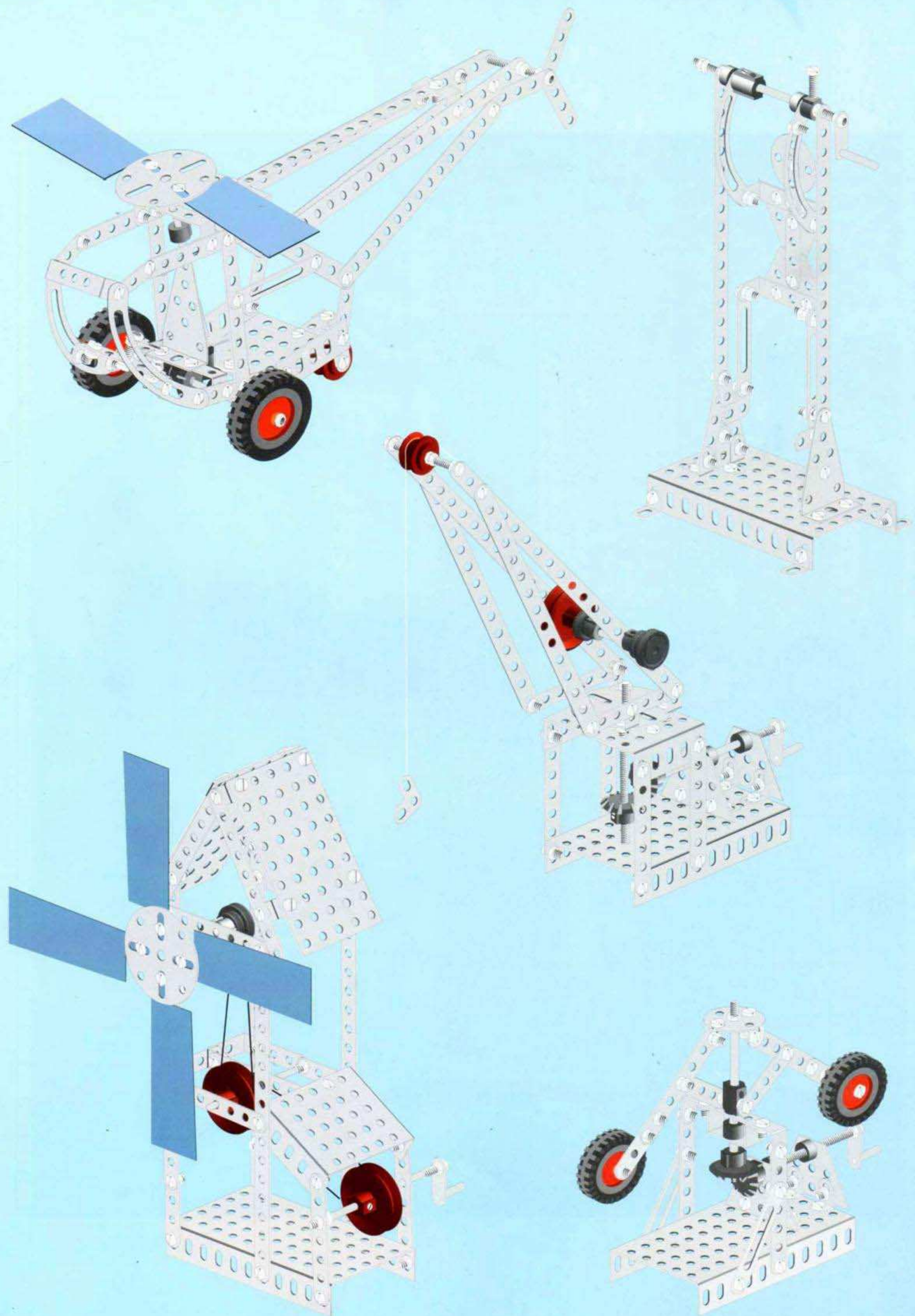


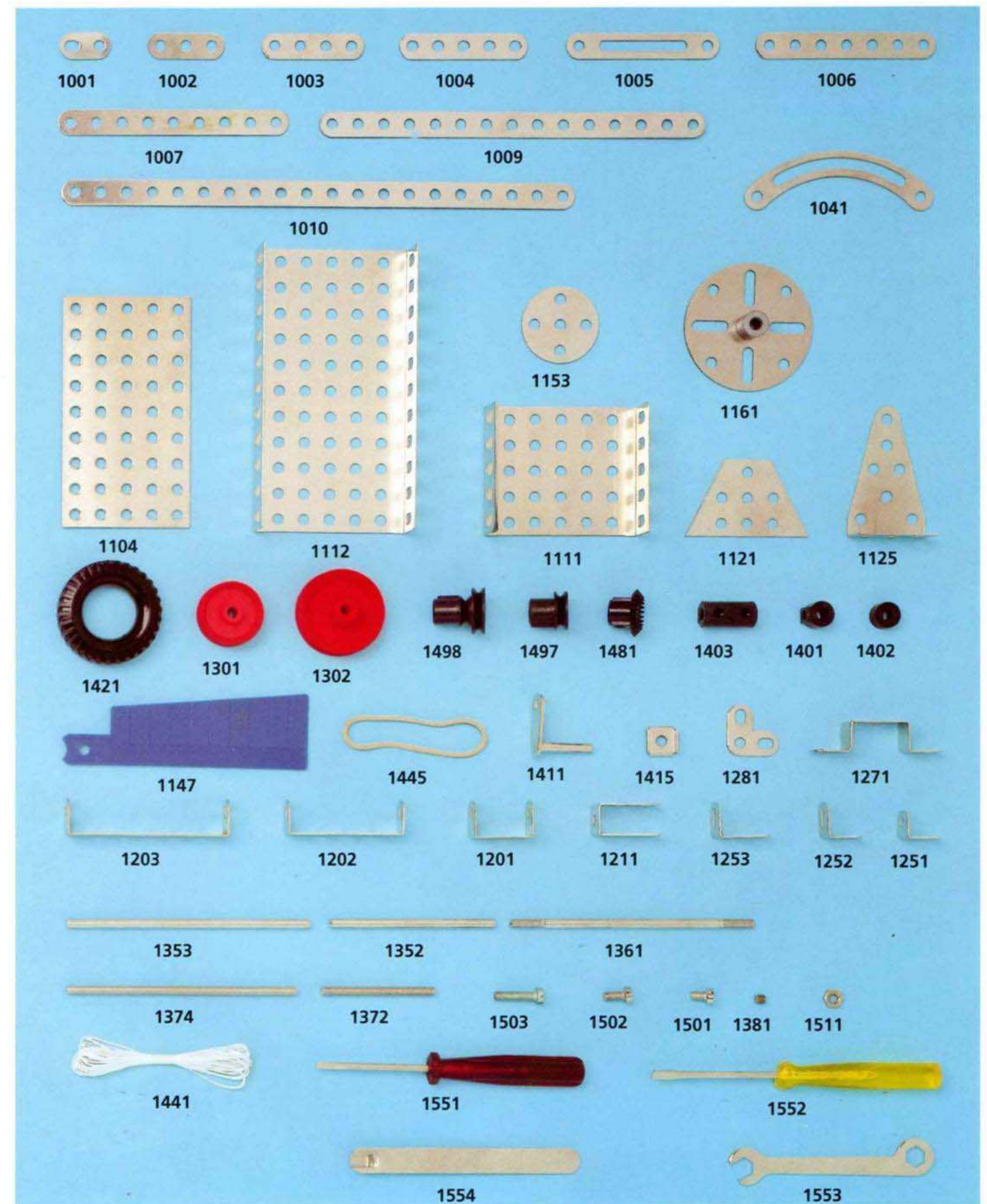
# CONSTRUCTION 02

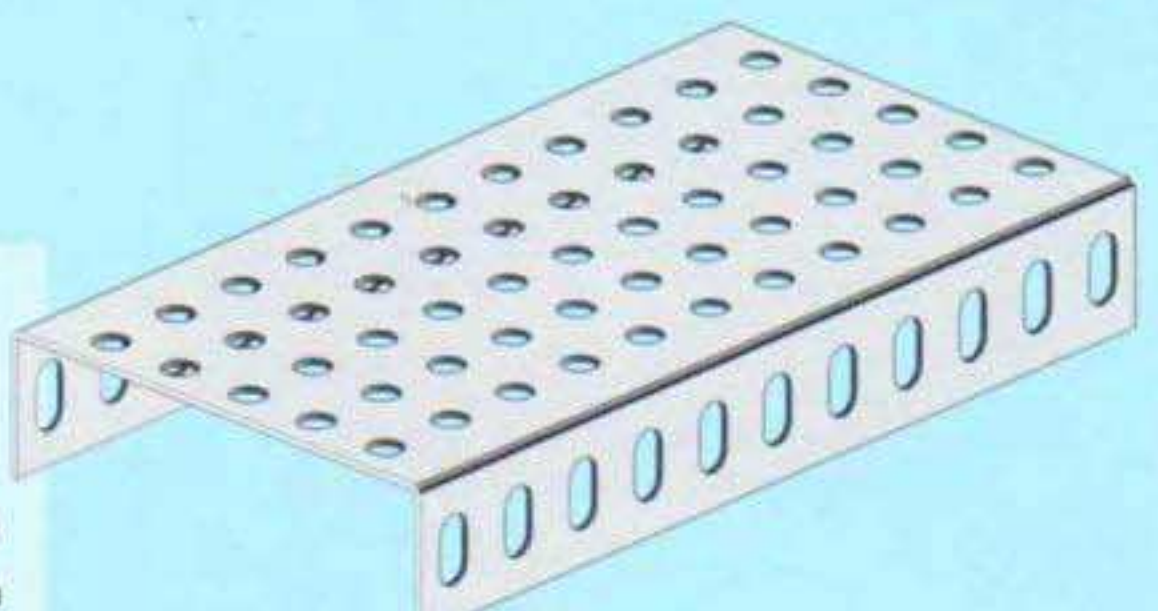



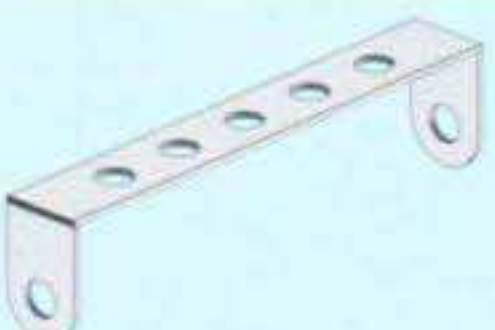













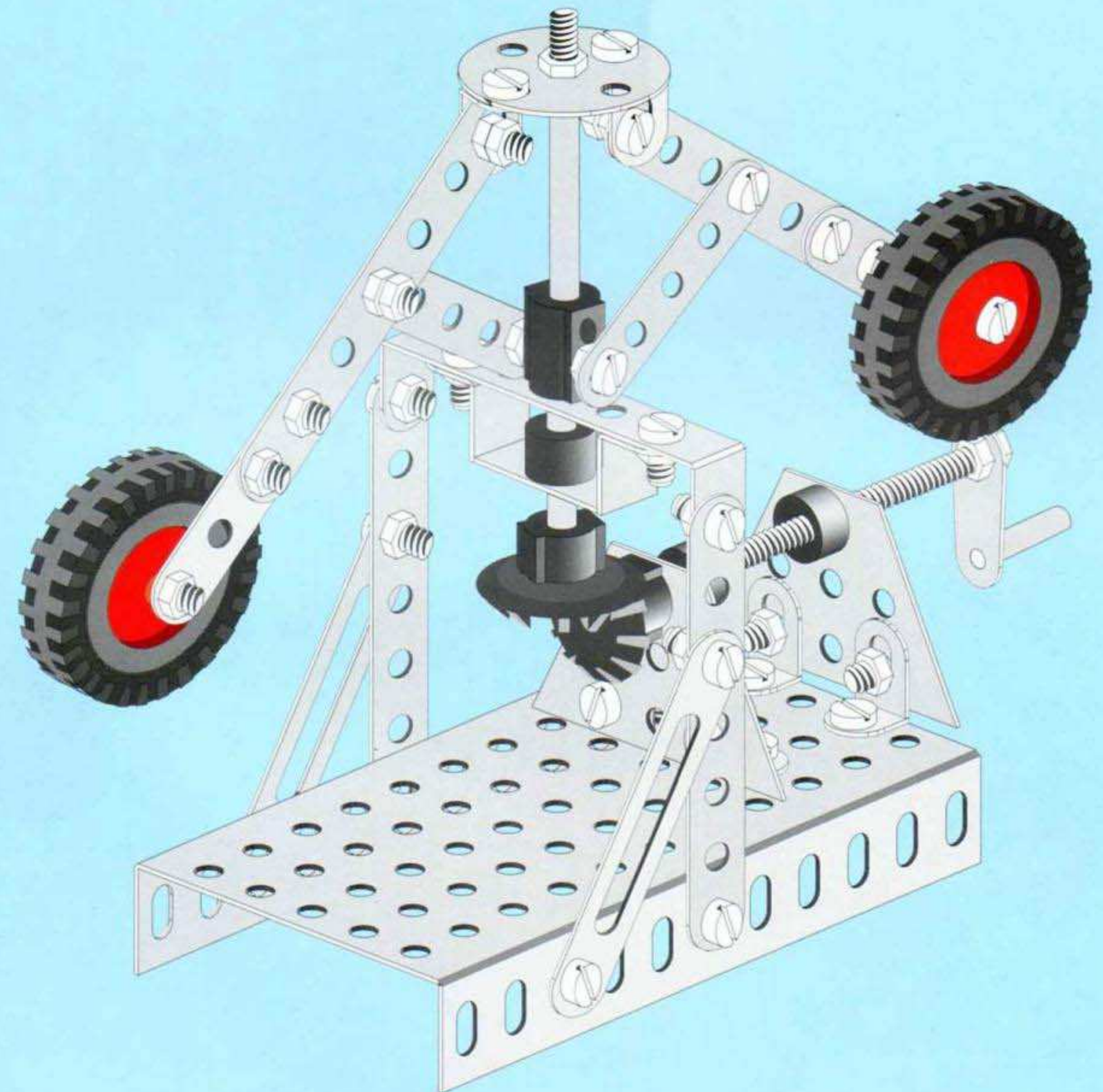
BAUTEILE JEWEILS NUR FÜR EIN MODELL VERFÜGBAR  
HILFE VON ERWACHSENEN KANN ERFORDERLICH SEIN

**eitech**  
MADE IN GERMANY

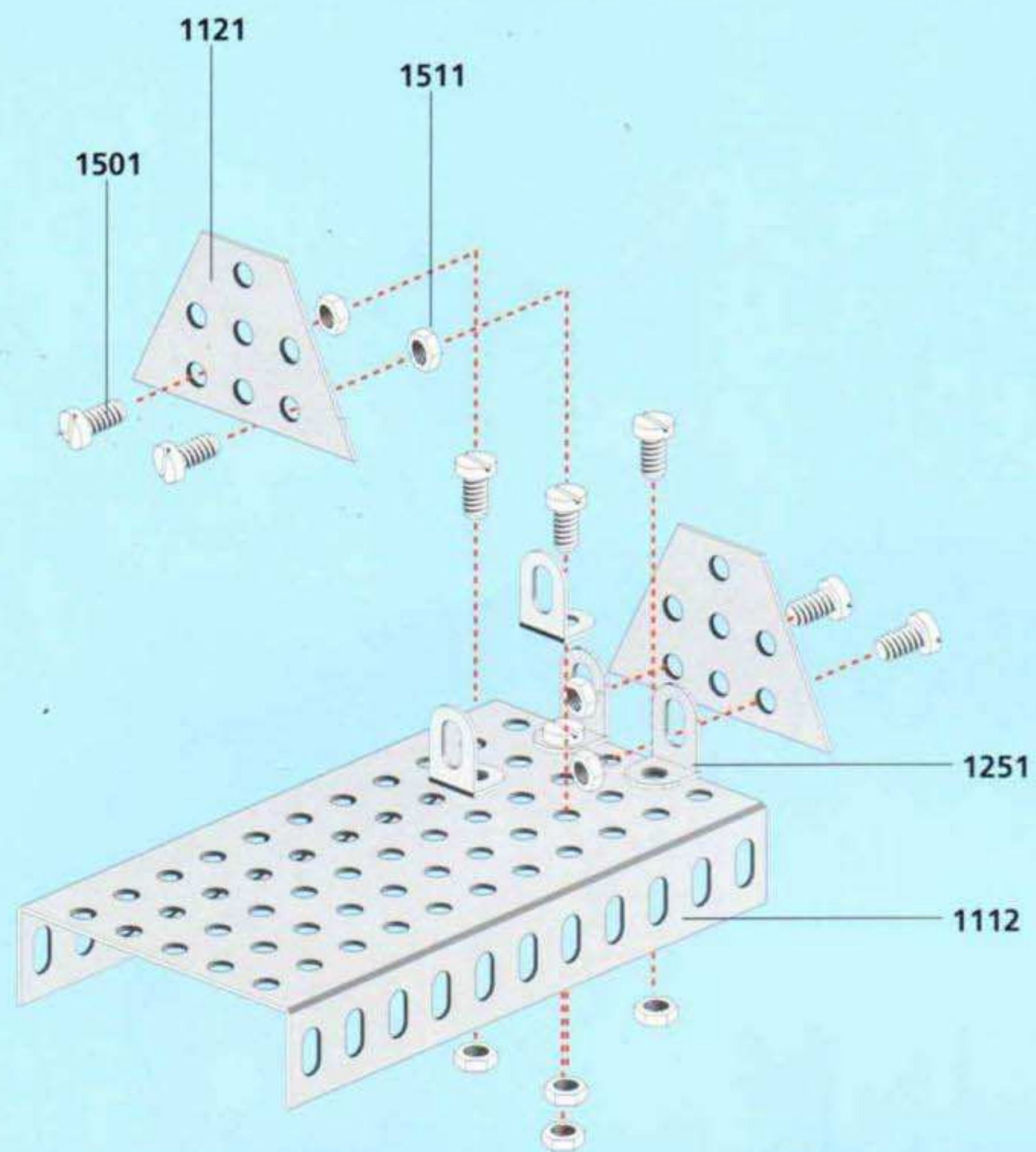
Stückliste					
1001	Flachstab 2 Loch	4	1301	Radfelge Ø 20 mm	3
1002	Flachstab 3 Loch	3	1302	Radfelge Ø 30 mm	2
1003	Flachstab 4 Loch	6	1352	Achse 65 mm	1
1004	Flachstab 5 Loch	3	1353	Achse 95 mm	1
1005	Flachstab 6 Loch, Langloch	2	1361	Achse 95 mm mit Gewindeenden	1
1006	Flachstab 7 Loch	6	1372	Gewindestift 44 mm	1
1007	Flachstab 9 Loch	4	1374	Gewindestift 90 mm	1
1009	Flachstab 15 Loch	3	1381	Gewindestift mit Querschlitz M 4 x 4	8
1010	Flachstab 20 Loch	2	1401	Stelling	1
1041	Bogenflachstab	2	1402	Elastikstellring	2
1104	Platte 9 x 5 Loch	2	1403	Wellenkupplung	1
1111	Platte 5 x 5 Loch, zweiseitig abgewinkelt	1	1411	Kurbel	1
1112	Platte 11 x 5 Loch, zweiseitig abgewinkelt	1	1415	Winkellasche	1
1121	Trapezplatte 3 x 3 Loch	2	1421	Reifen 40 x 20 x 5	2
1125	Trapezplatte 5 x 3 Loch, abgewinkelt	1	1445	Gummiremen	2
1147	Windmühlenflügel	4	1481	Kegelrad 22 Zähne	2
1153	Scheibe Ø 30 mm	1	1497	Keilriemenscheibe einrillig	1
1161	Scheibe Ø 50 mm mit Buchse	1	1498	Keilriemenscheibe zweirillig	1
1201	Bügel 1 x 1 Loch	1	1501	Schraube M 4 x 6	48
1202	Bügel 3 x 1 Loch	3	1502	Schraube M 4 x 8	5
1203	Bügel 5 x 1 Loch	2	1503	Schraube M 4 x 16	2
1211	Bügel 1 x 2 Loch	1	1511	Mutter M 4	65
1251	Winkel 1 x 1 Loch	6	1551	Schraubendreher 4 mm	1
1252	Winkel 1 x 1 Loch, Langloch	4	1552	Schraubendreher 6 mm	1
1253	Winkel 2 x 1 Loch	3	1553	Schraubenschlüssel	2
1271	Lagerbock	1	1554	Schraubenhalter	1
1281	Flachwinkel	1	1441	Schnur, 1 m	1



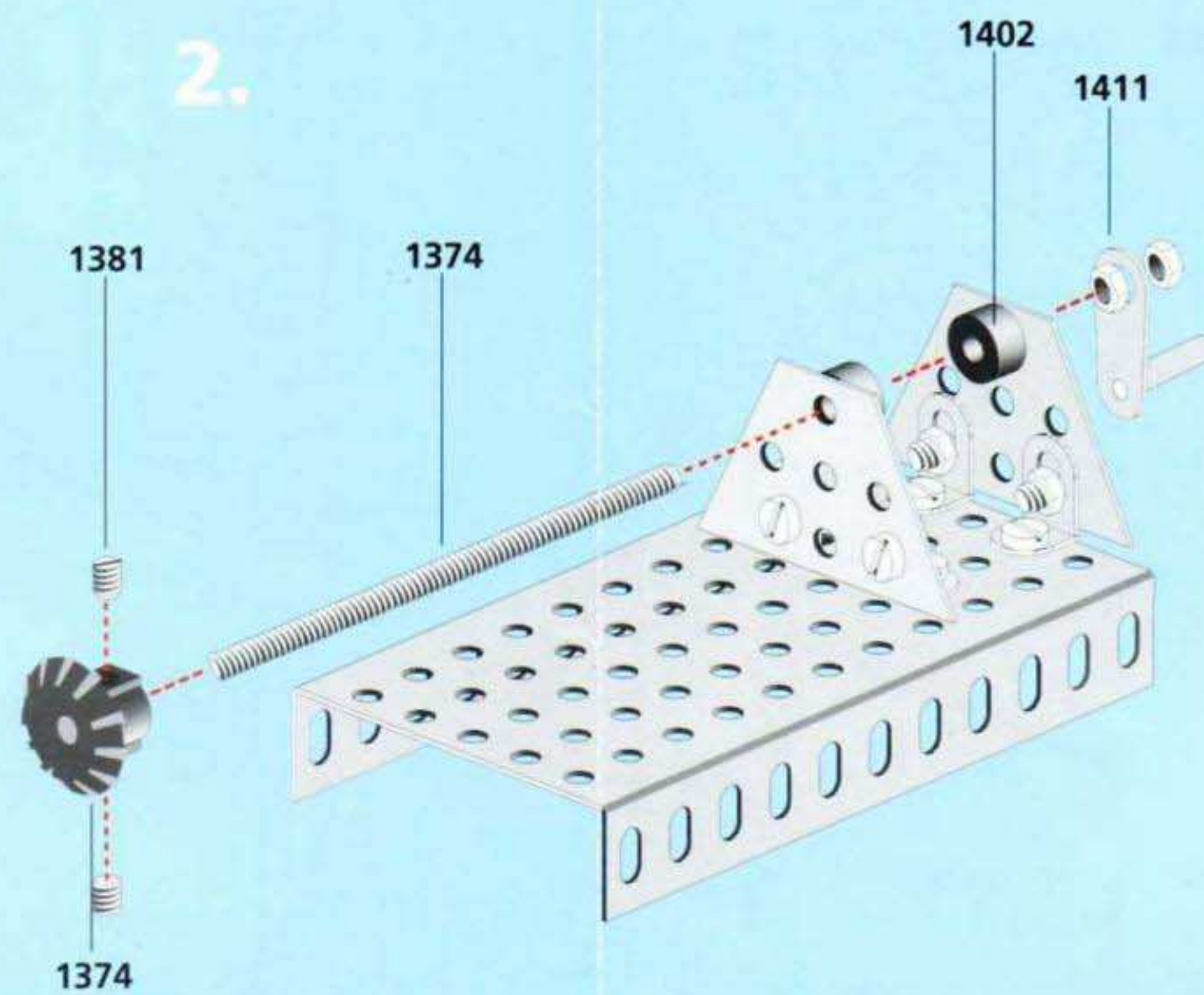
	1003 flat bar, 4 hole	2		1112 plate, 11 x 5 holes, bent on two sides	1		1121 trapezoidal plate, 3 x 3 holes	2
	1004 flat bar, 5 hole	2		1153 disc, 30 mm diameter	1		1271 bearing bracket	1
	1005 flat bar, 6-hole, slot	2		1203 bracket, 5 x 1 hole	1		1374 threaded pin, 90 mm	1
	1006 flat bar, 7 hole	4		1411 crank	1		1361 axle, 95 mm with threaded ends	1
	1401 setting ring	1		1251 angle, 1 x 1 hole	6		1501 bolt M 4 x 6	26
	1402 flexible setting ring	2		1381 threaded pin with cross slot M 4 x 4	5		1502 bolt M 4 x 8	4
	1421 tyre, 40 x 20 x 5	2		1403 shaft coupling	1		1503 bolt M 4 x 16	2
	1301 wheel rim, 20 mm diameter	2		1481 bevel gear 22 teeth	2		1511 nut M 4	42



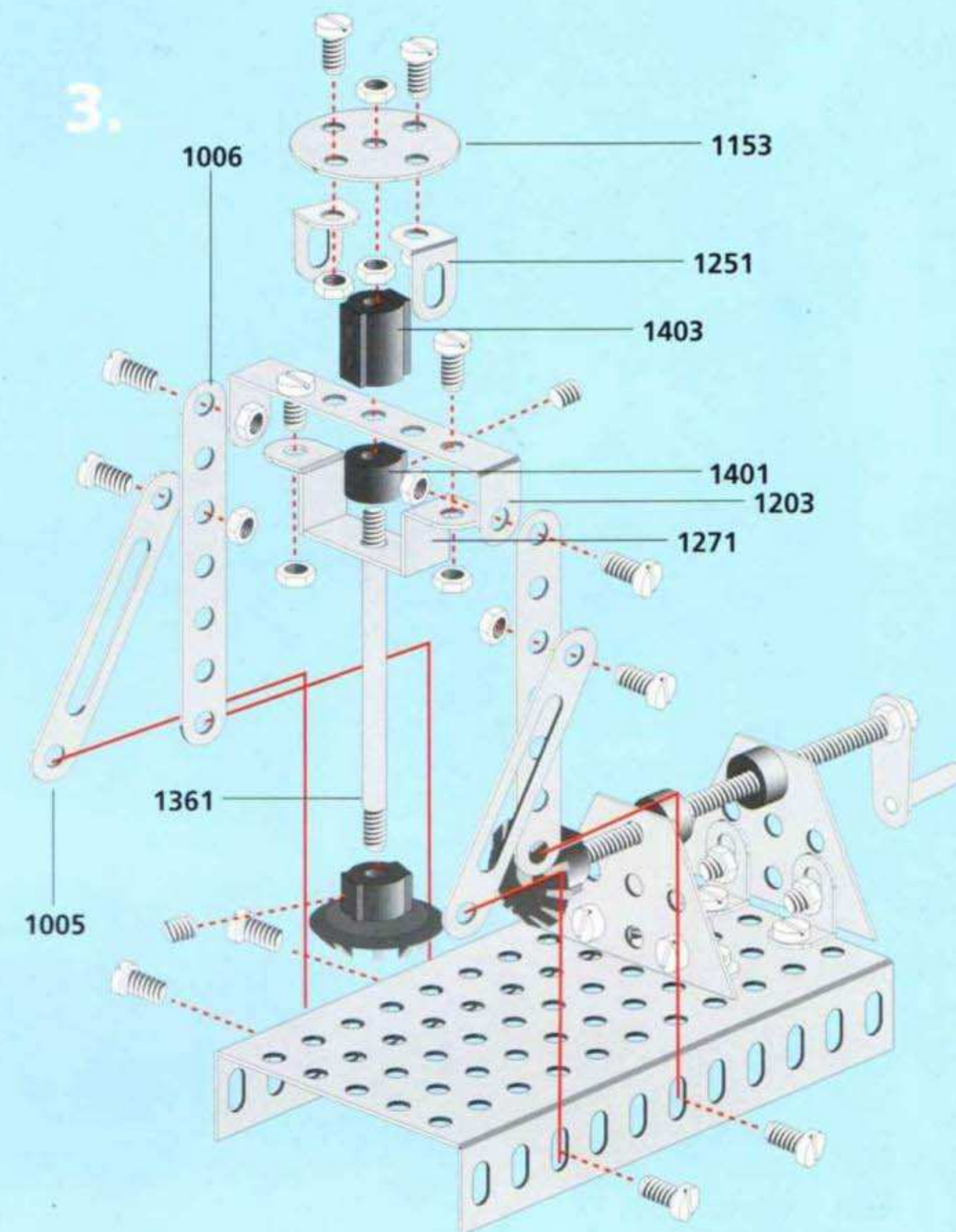
1.



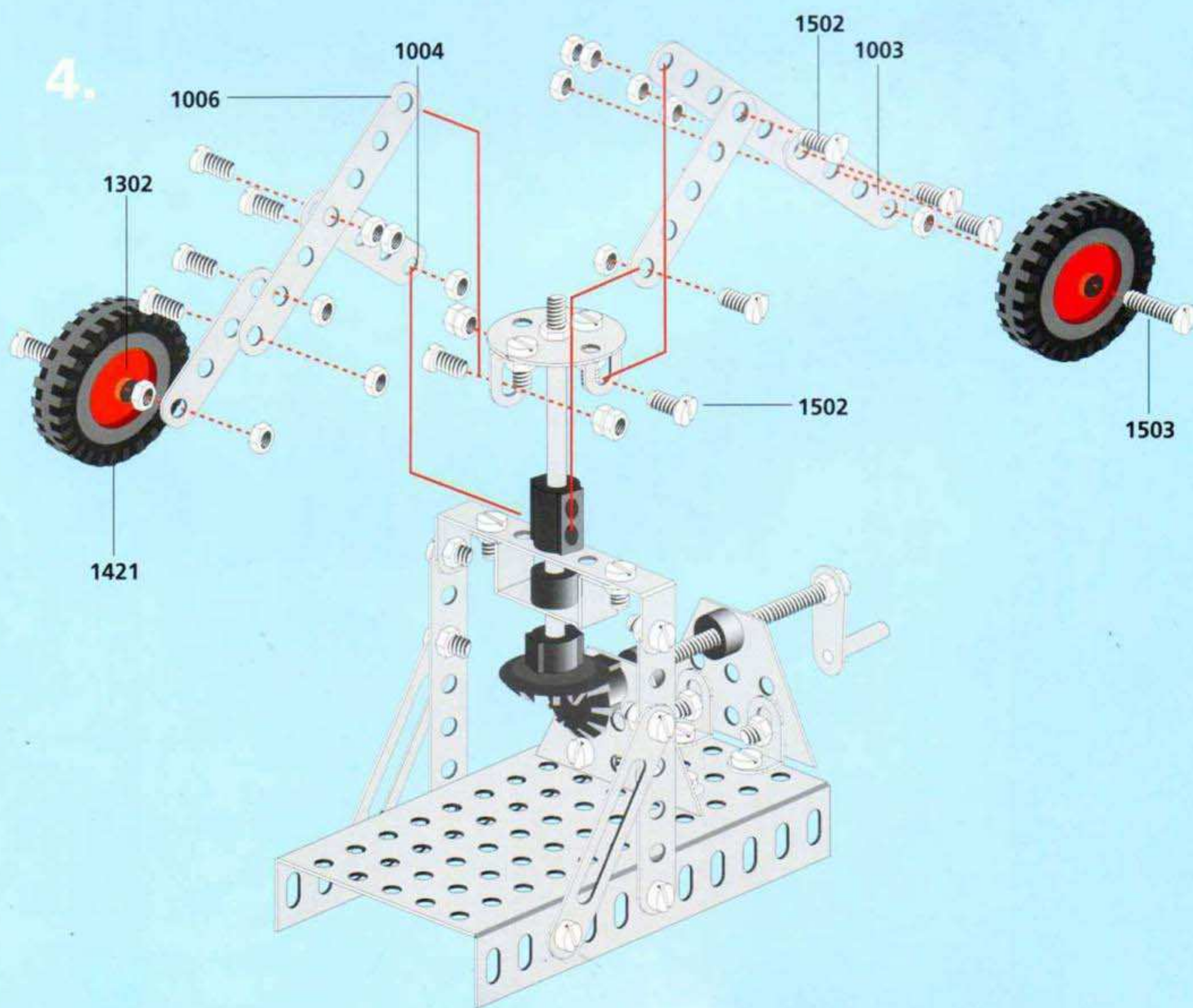
2.



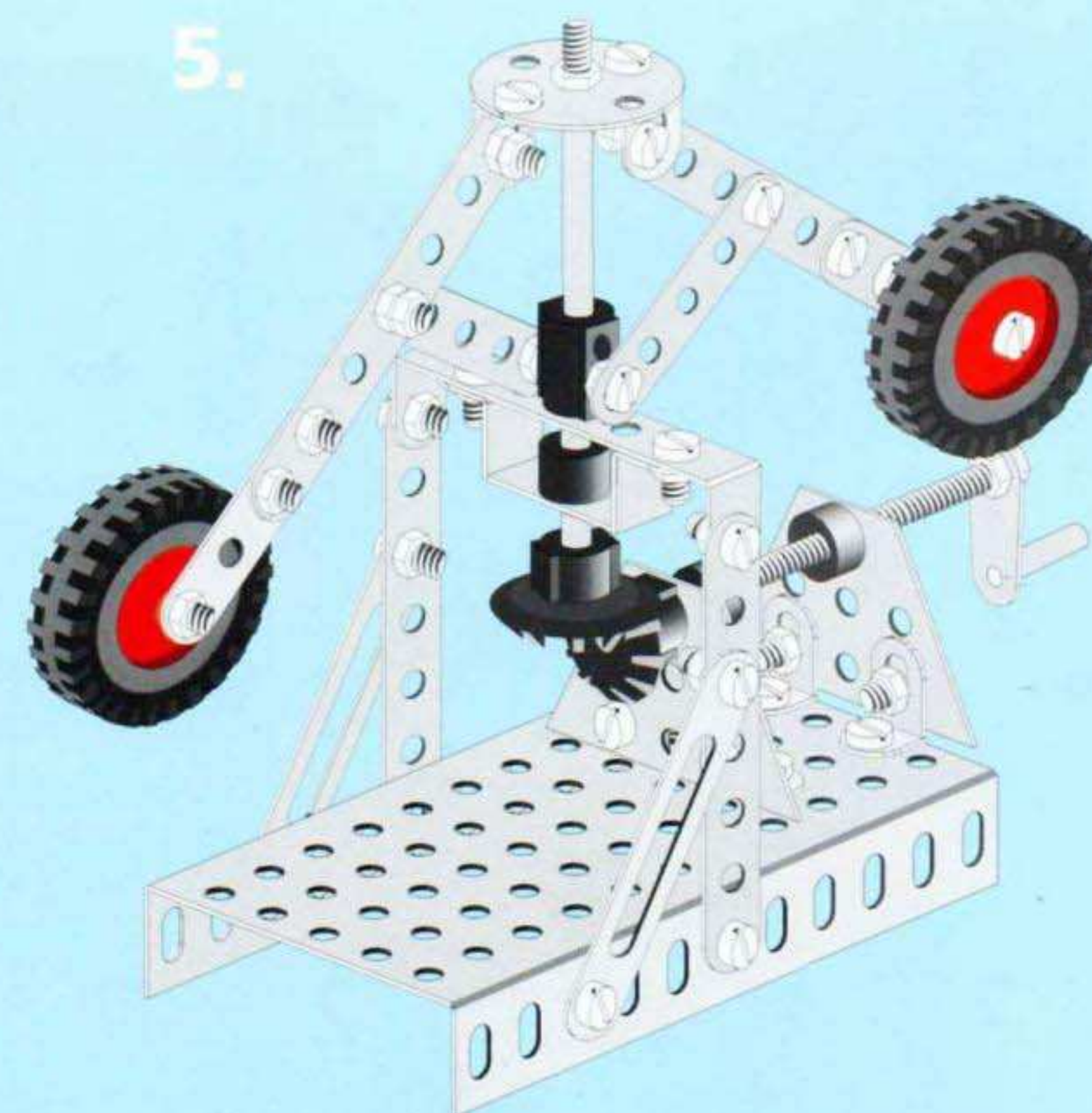
3.



4.



5.



1006 flat bar, 7-hole **6**

1009 flat bar, 15-hole **2**  
1010 flat bar, 20-hole **2**

1121 trapezoidal plate, 3 x 3 holes **2**

1111 plate, 5 x 5 holes, bent on two sides **1**

1252 angle, 1 x 1 hole, slot **4**

1251 angle, 1 x 1 hole **4**

1411 crank **1**

1112 plate, 11 x 5 holes, bent on two sides **1**

1441 string, 1m **1**

1281 flat angle **1**

1161 disc, 50 mm diameter with bushing **1**

1372 threaded pin, 44 mm **1**  
1374 threaded pin, 90 mm **1**

1352 axle, 65 mm **1**  
1361 axle, 95 mm with threaded ends **1**

1511 nut M 4 **40**

1401 setting ring **1**  
1402 flexible setting ring **2**

1301 wheel rim, 20 mm diameter **1**

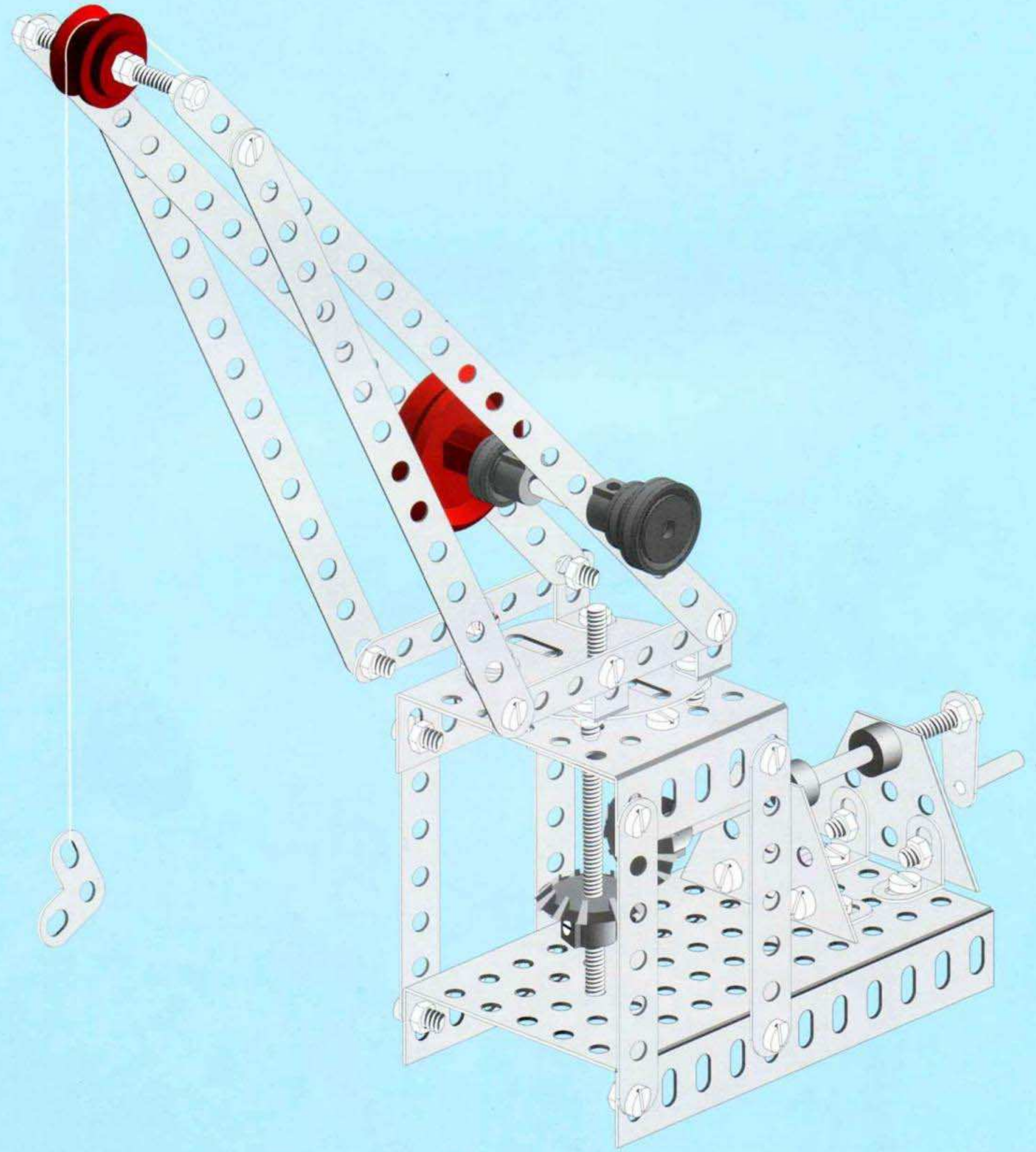
1302 wheel rim, 30 mm diameter **1**

1481 bevel gear 22 teeth **2**

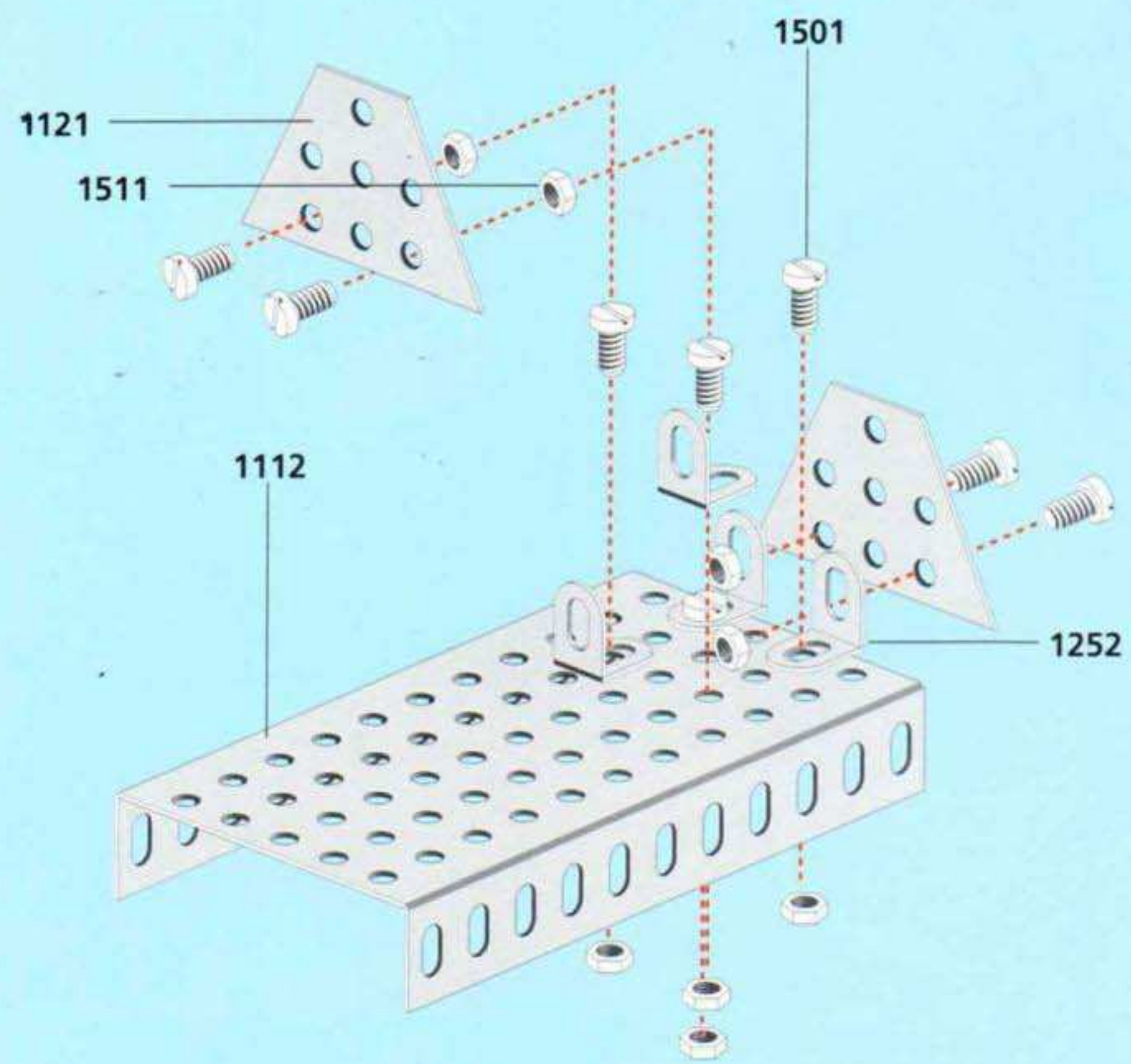
1497 V-belt pulley, single groove **1**

1498 V-belt pulley, double groove **1**

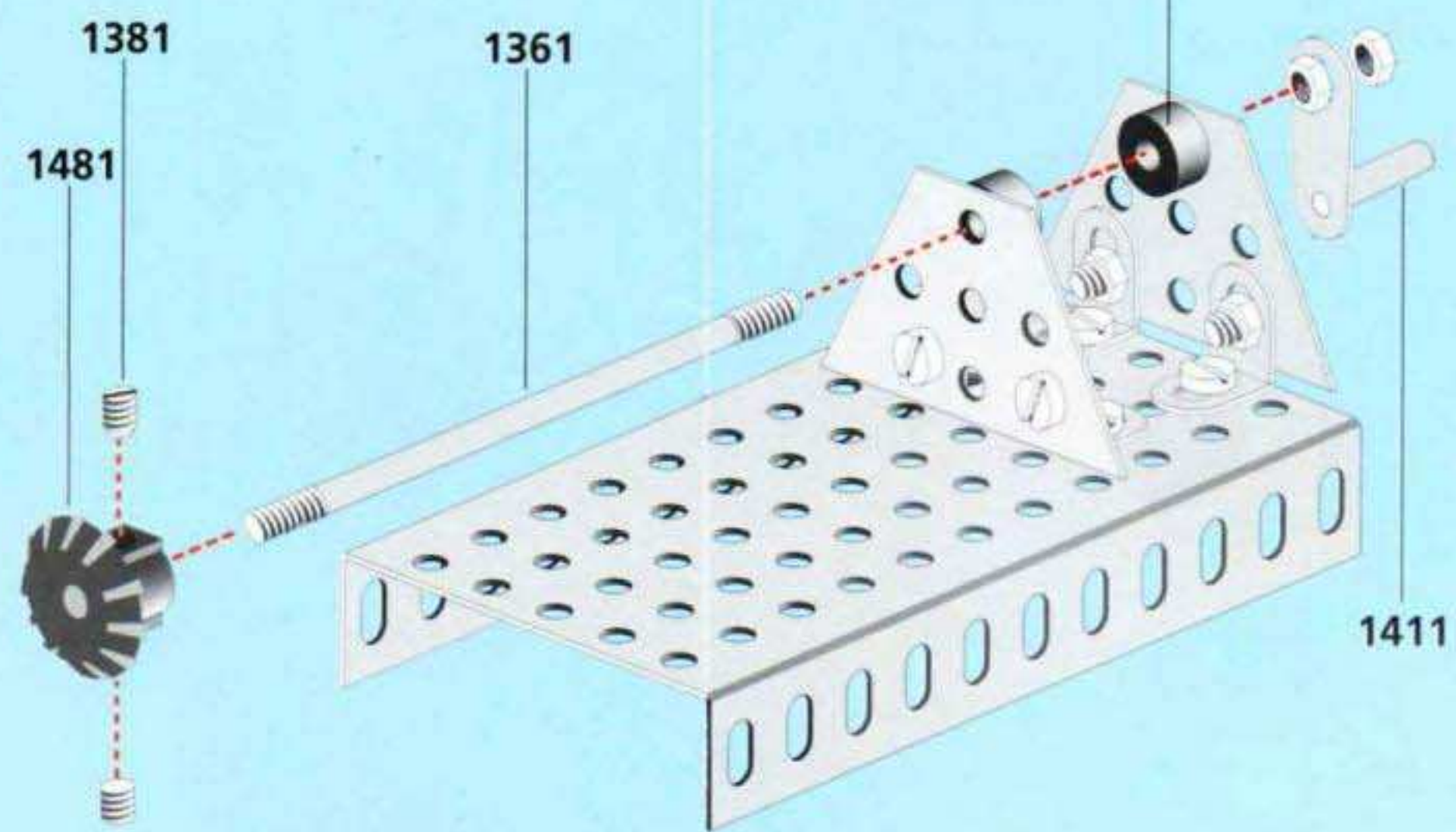
1381 threaded pin with cross slot M 4 x 4 **7**  
1501 bolt M 4 x 6 **30**



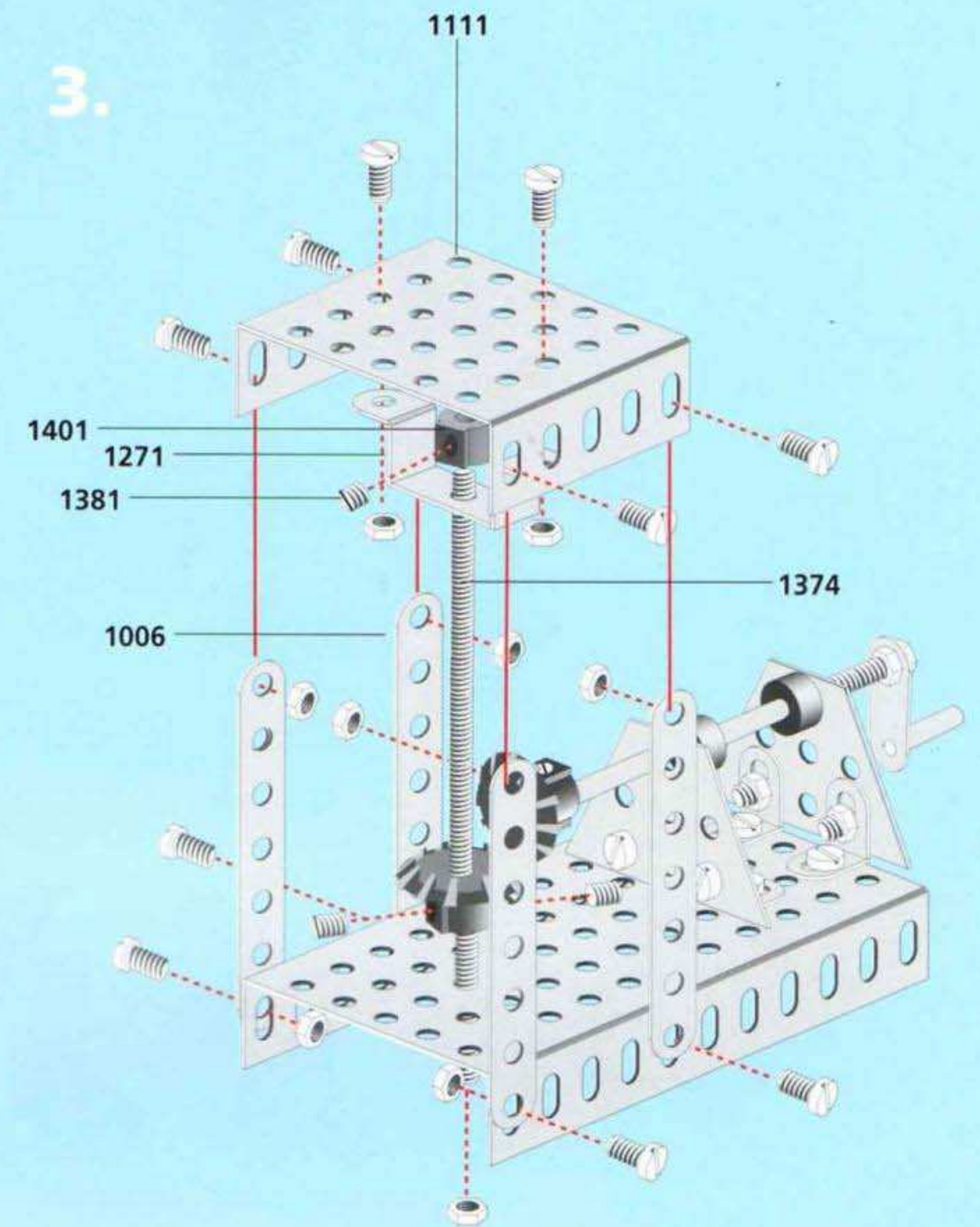
1.



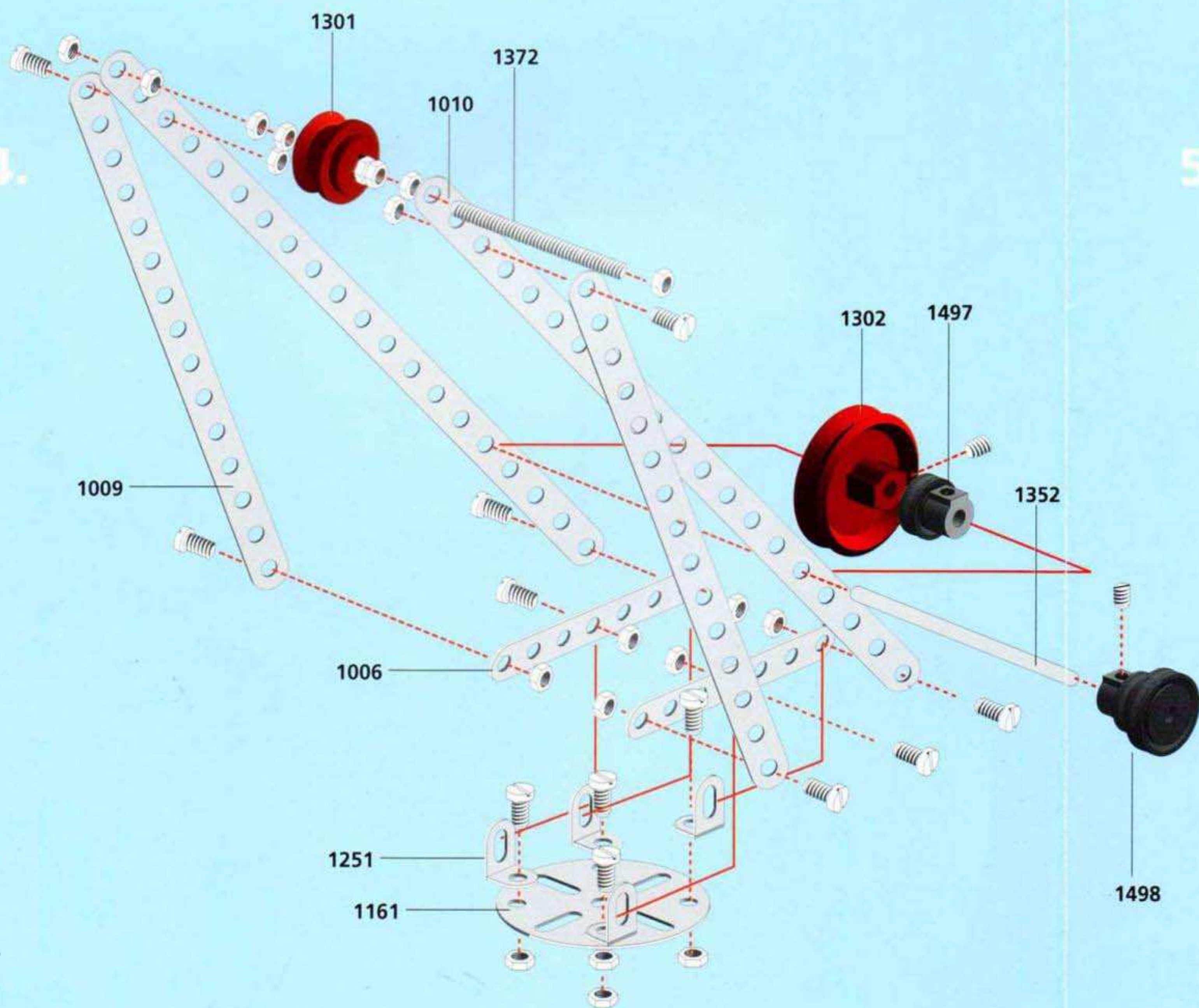
2.



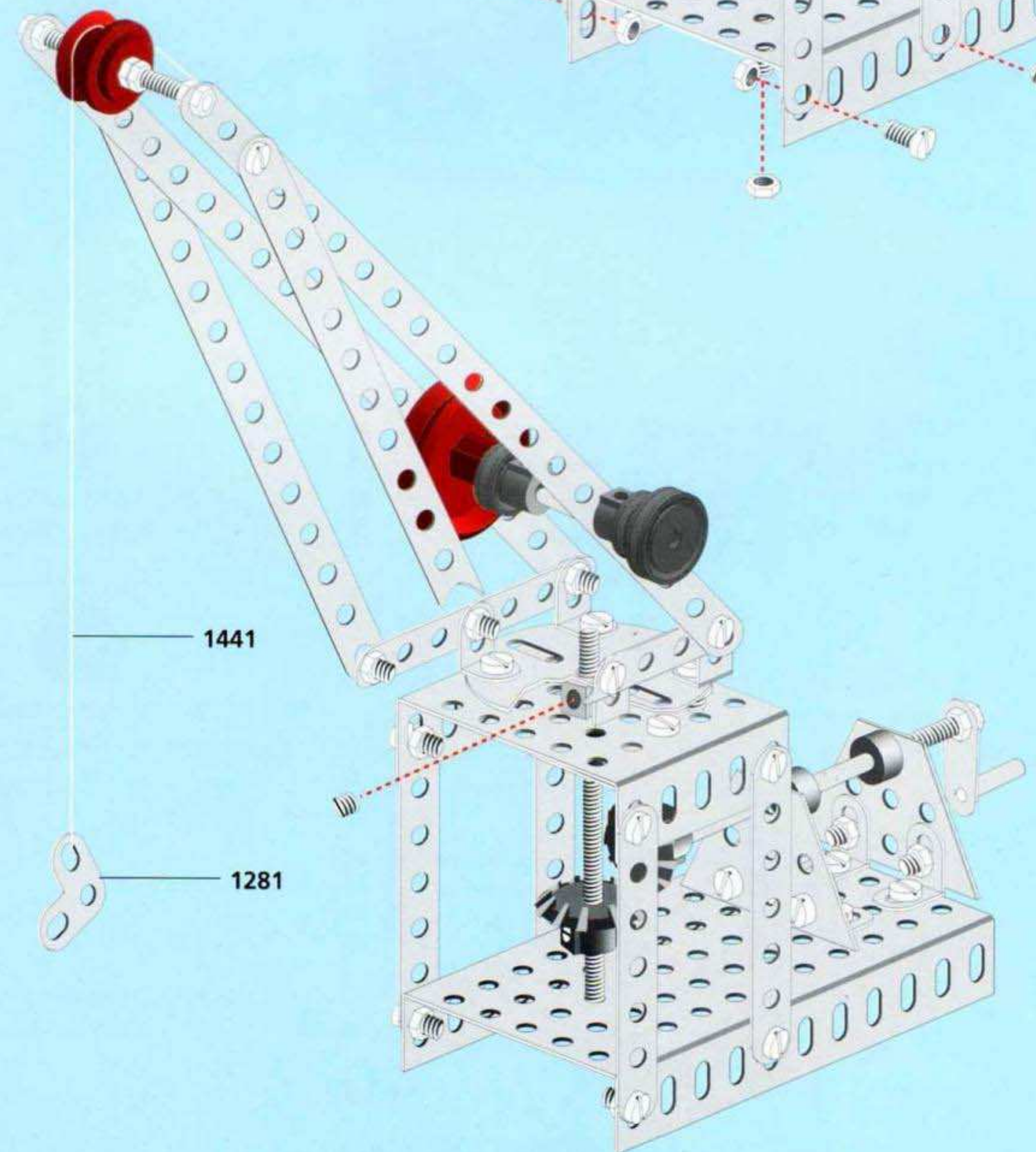
3.



4.

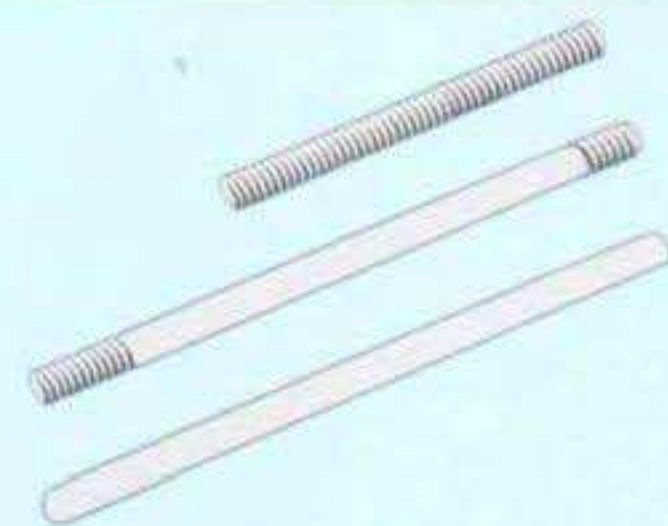


5.

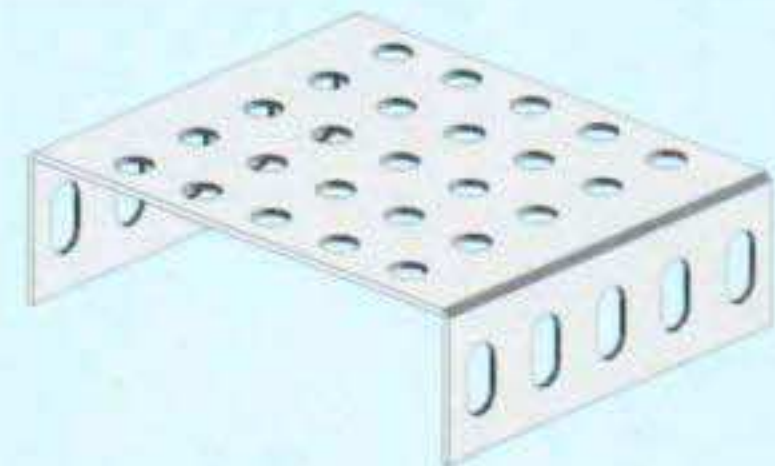




- 1001 flat bar, 2-hole **4**
- 1002 flat bar, 3 hole **3**
- 1003 flat bar, 4 hole **5**
- 1004 flat bar, 5 hole **3**



- 1372 threaded pin, 44 mm **1**
- 1361 axle, 95 mm with threaded ends **1**
- 1353 axle, 95 mm **1**



- 1111 plate, 5 x 5 holes, bent on two sides **1**



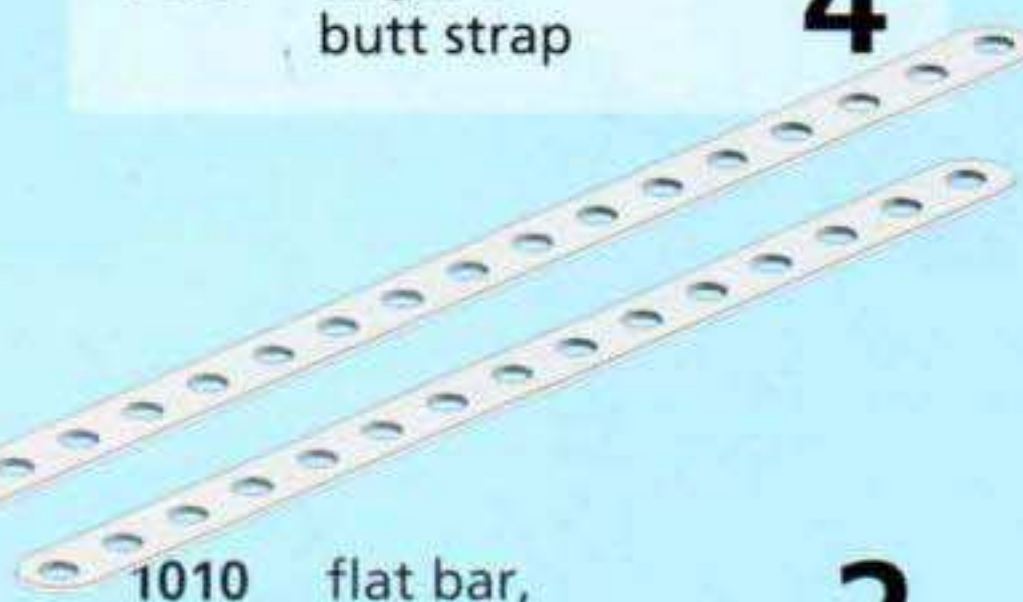
- 1415 angular butt strap **4**



- 1005 flat bar, 6-hole slot **2**



- 1401 setting ring **1**
- 1402 flexible setting ring **2**



- 1010 flat bar, 20-hole **2**
- 1009 flat bar, 15-hole **3**



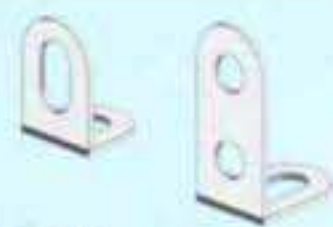
- 1006 flat bar, 7-hole **2**
- 1007 flat bar, 9-hole **4**



- 1301 wheel rim, 20 mm diameter **3**
- 1421 tyre, 40 x 20 x 5 **2**



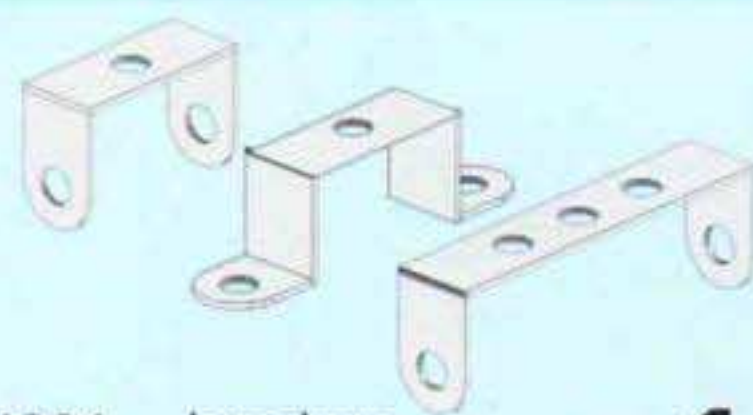
- 1281 flat angle **1**



- 1251 angle, 1 x 1 hole **4**
- 1253 angle, 2 x 1 hole **2**



- 1211 bracket, 1 x 2 holes **1**



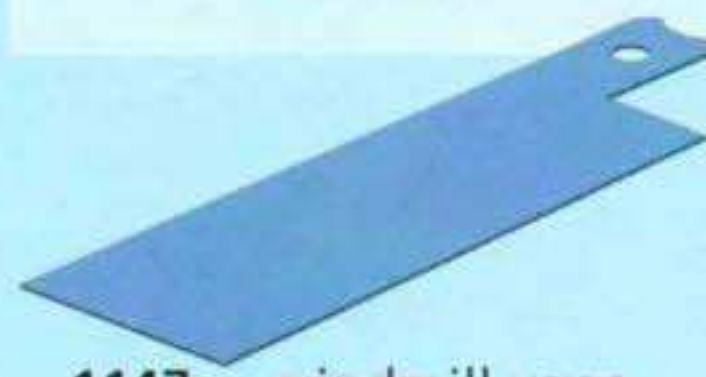
- 1201 bracket, 1 x 1 hole **1**
- 1271 bearing bracket **1**
- 1202 bracket, 3 x 1 hole **3**



- 1481 bevel gear, 22 teeth **2**



- 1161 disc, 50 mm diameter with bushing **1**



- 1147 windmill vane **2**



- 1041 curved flat bar **2**



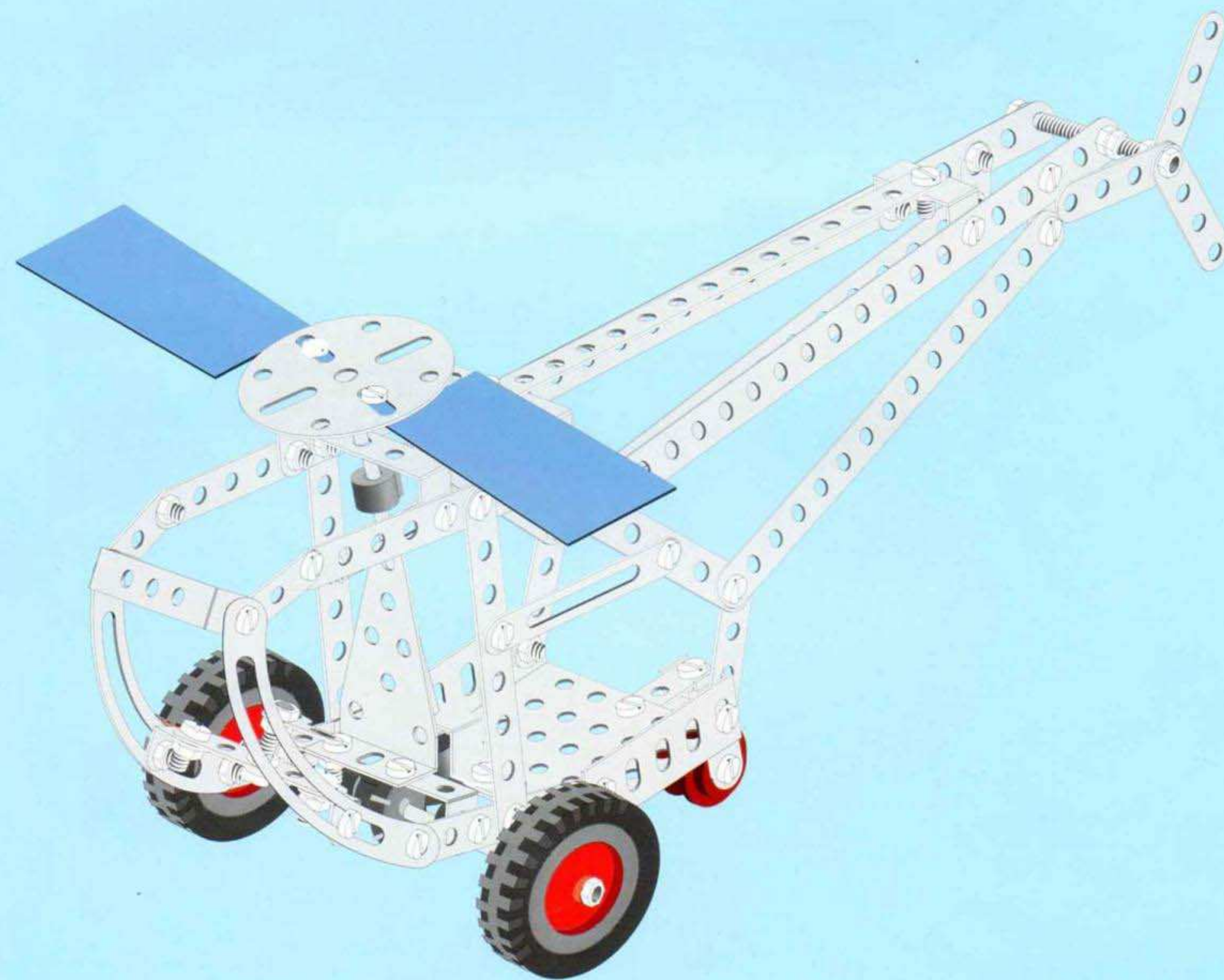
- 1125 trapezoidal plate 5 x 3 holes, bent **1**



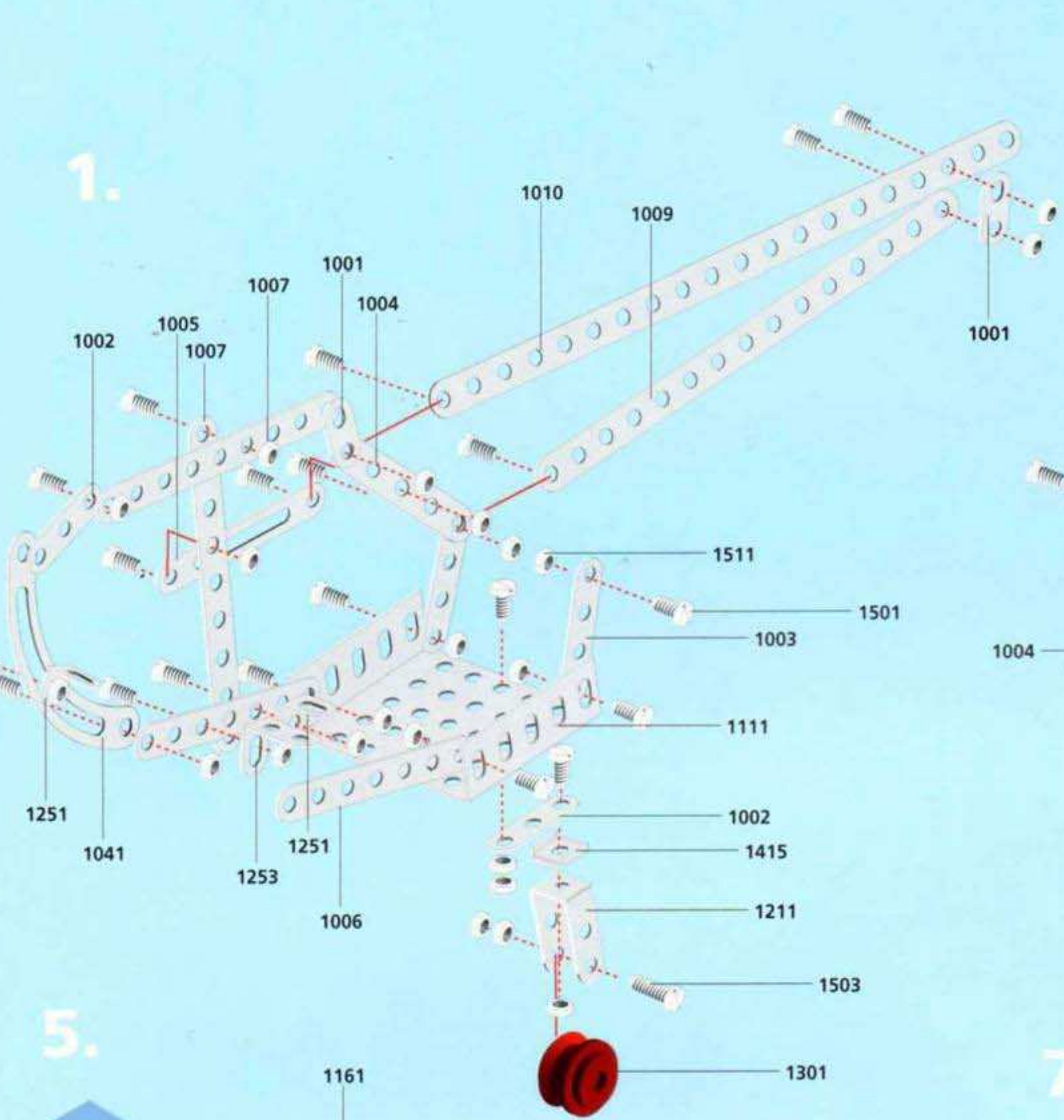
- 1501 bolt M 4 x 6 **48**
- 1503 bolt M 4 x 16 **2**



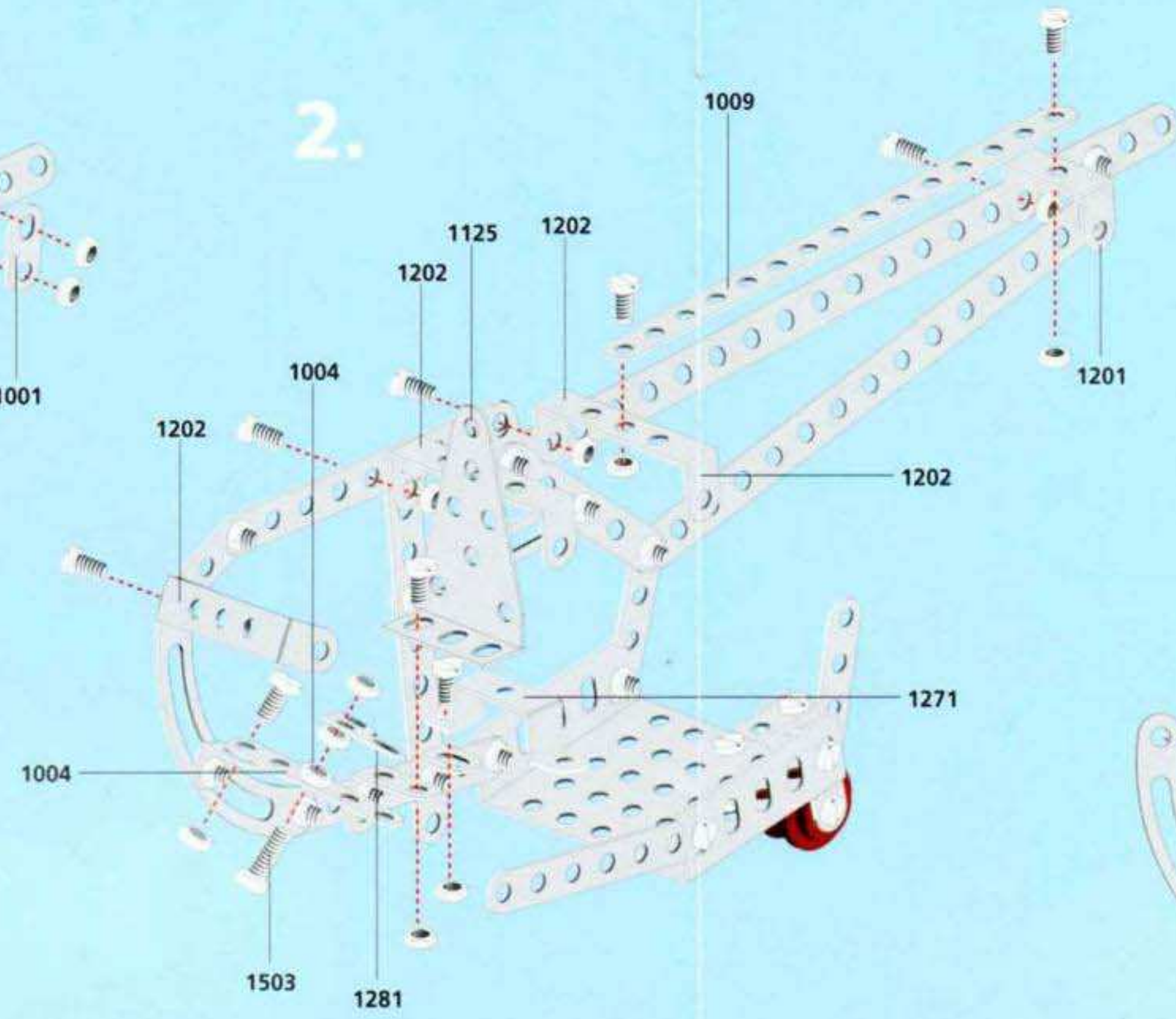
- 1511 nut M 4 **64**
- 1381 threaded pin with cross slot M 4 x 4 **6**



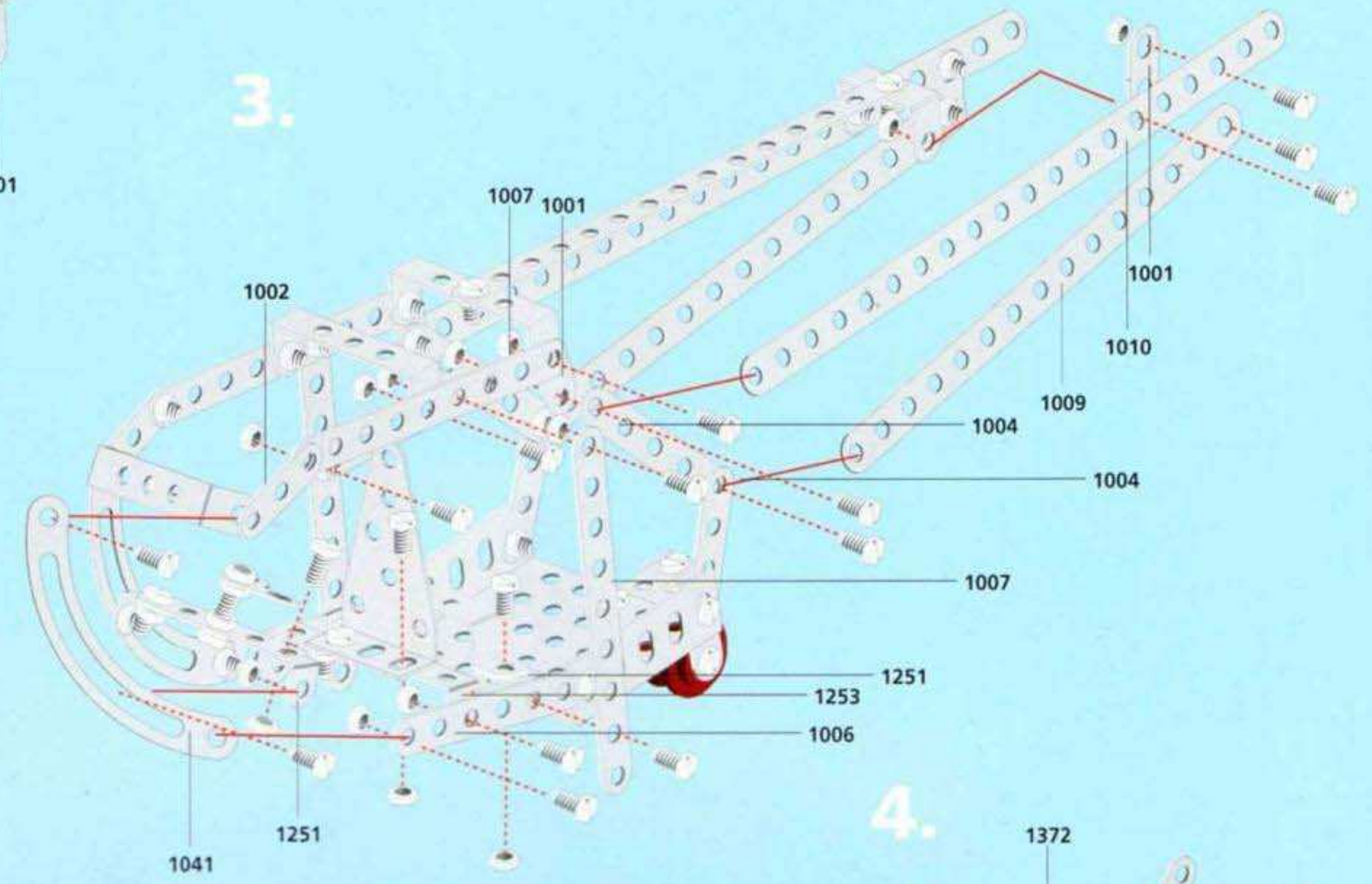
1.



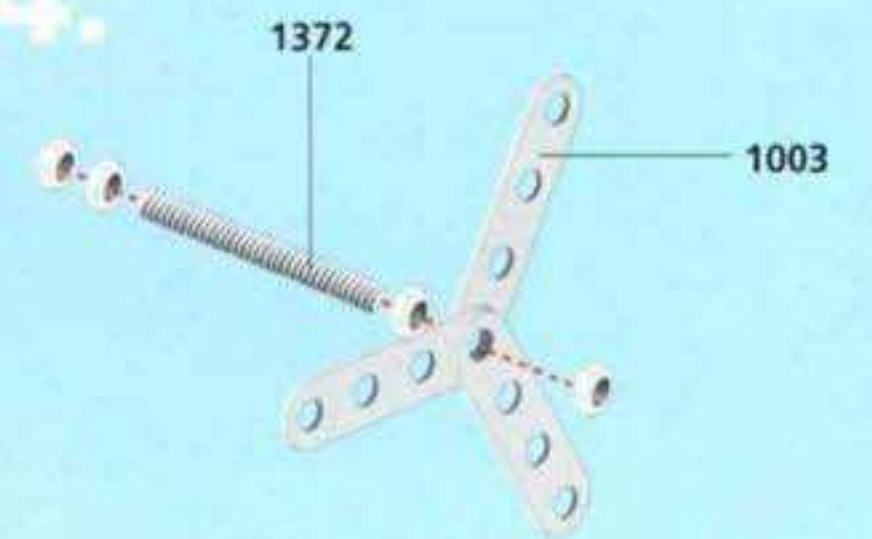
2.



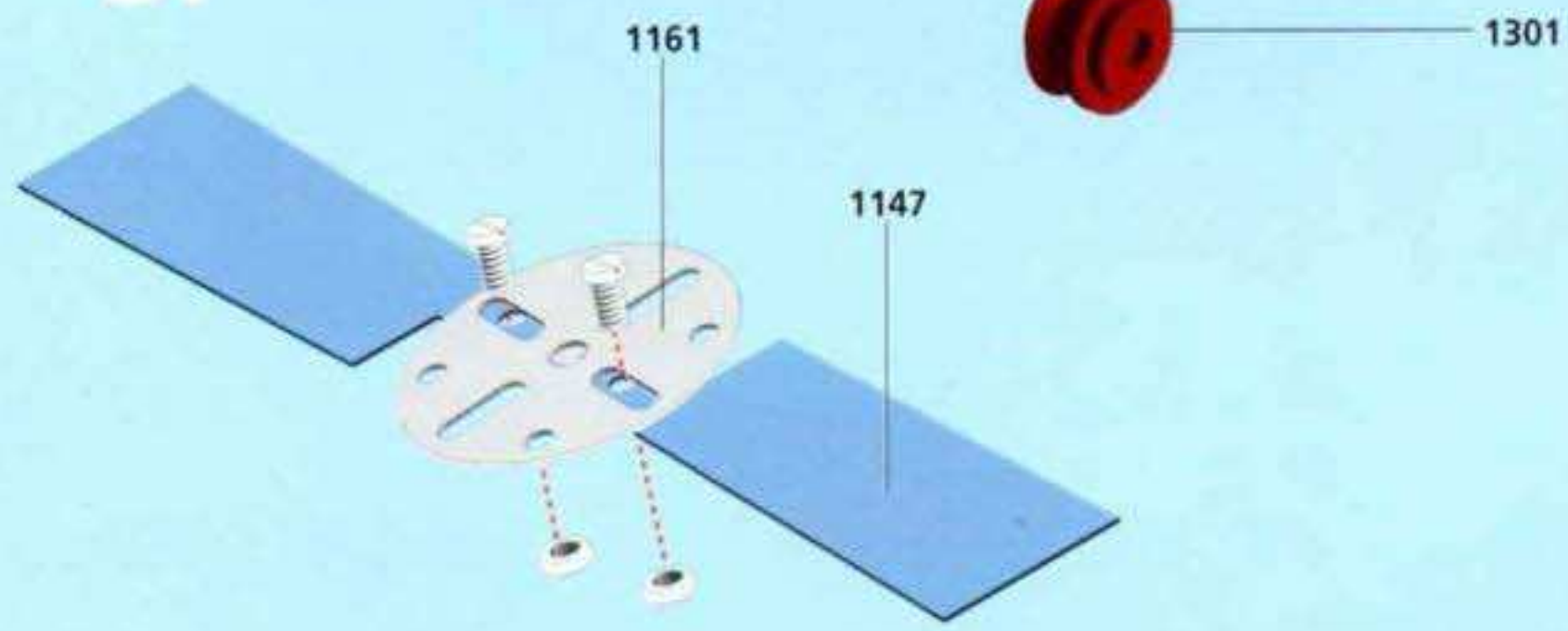
3.



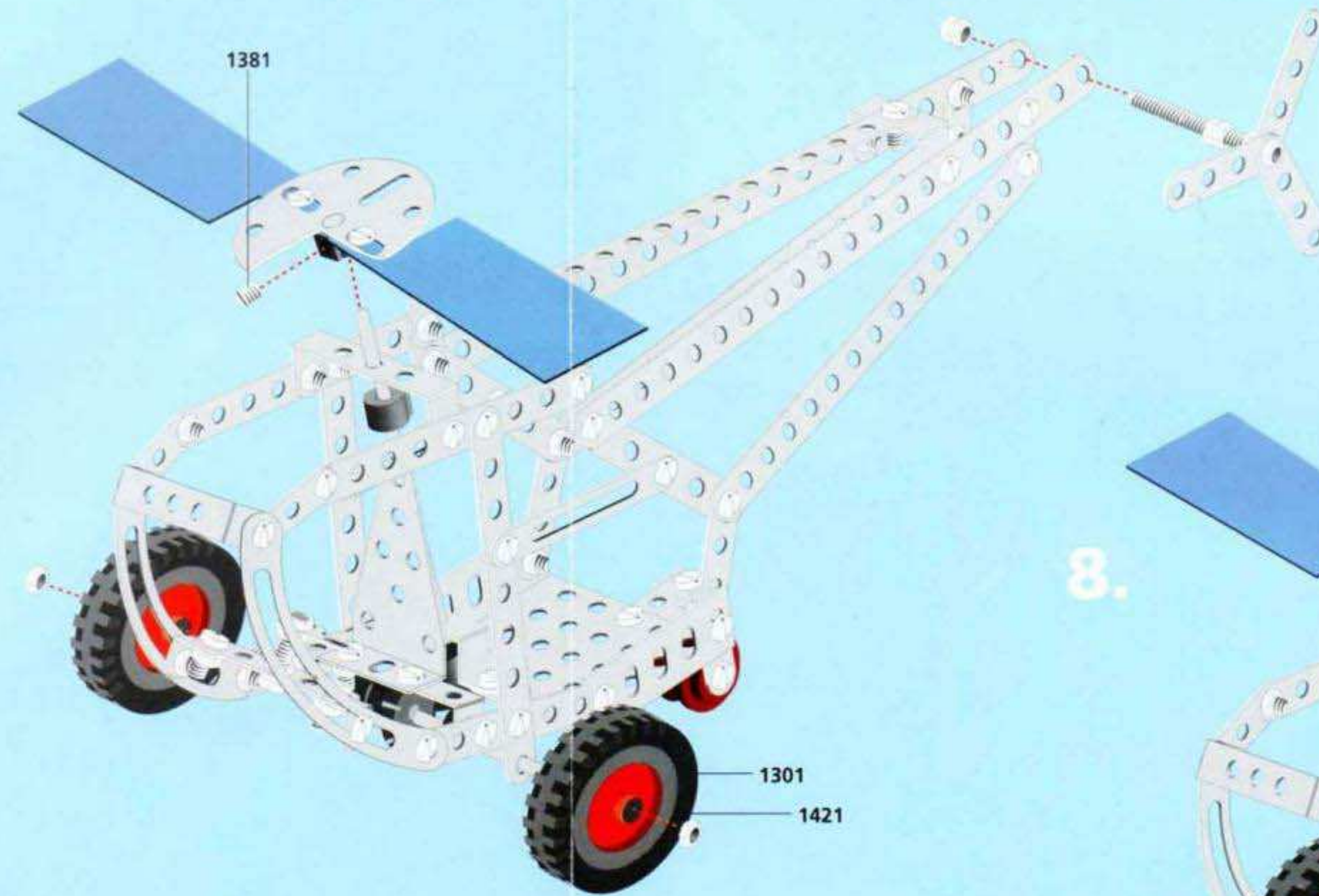
4.



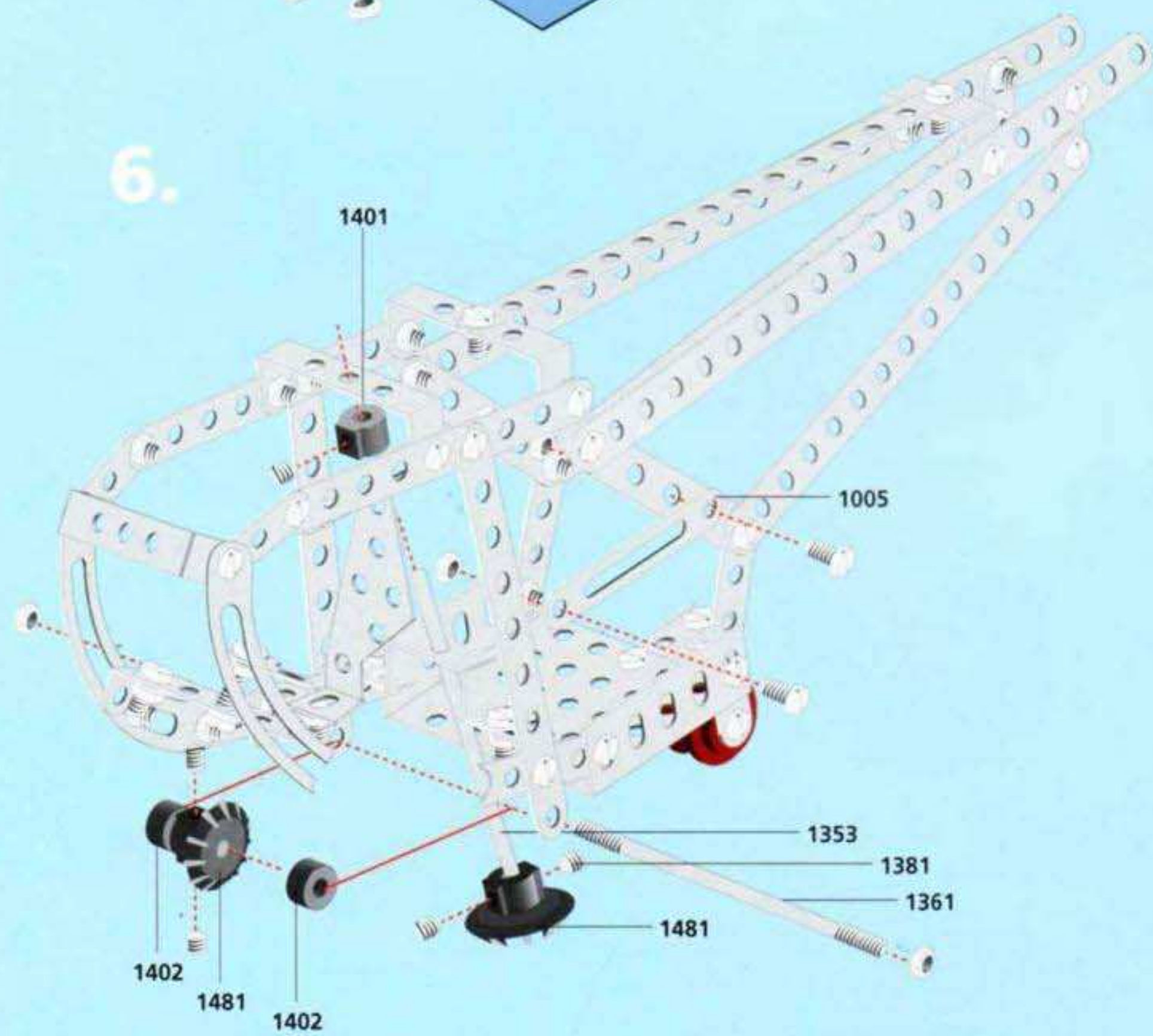
5.



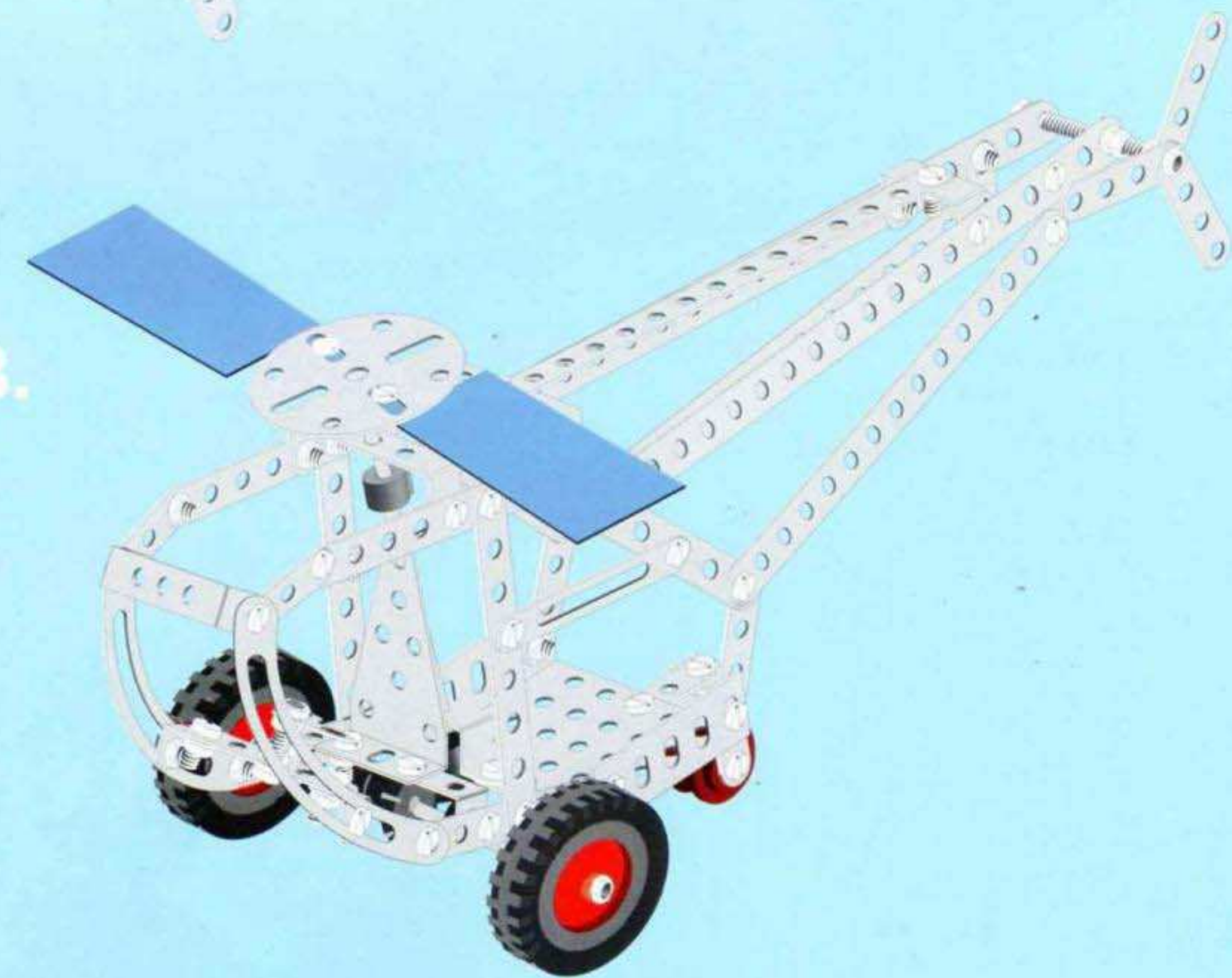
7.



6.

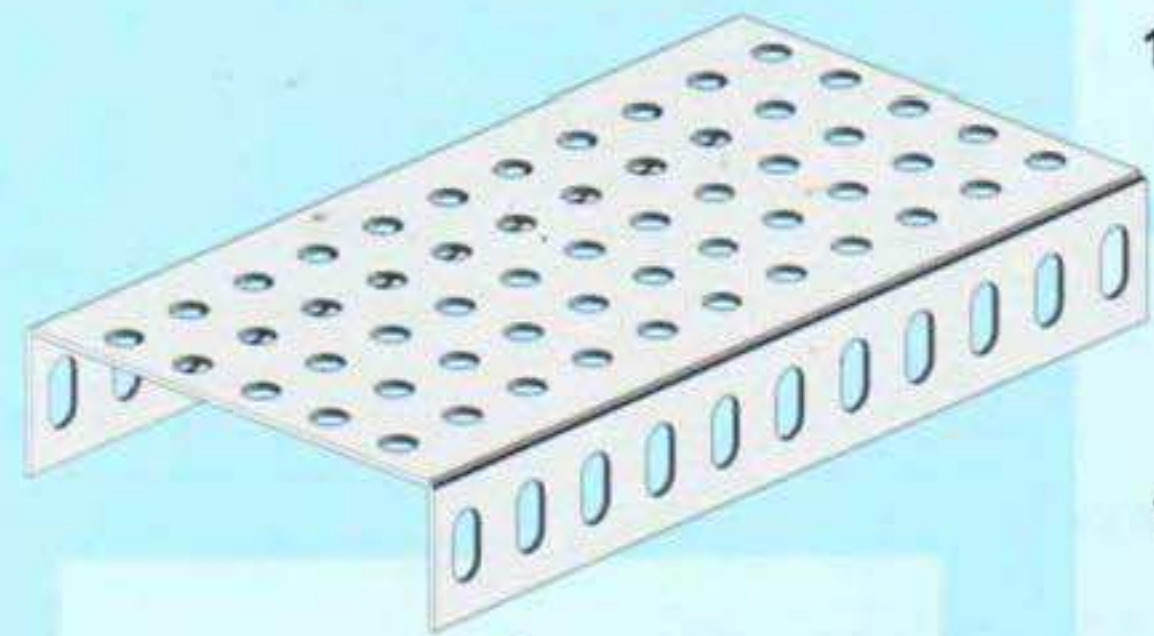


8.





1112 plate, 11 x 5 holes, bent on two sides **1**



1001 flat bar, 2-hole **2**



1002 flat bar, 3 hole **1**



1003 flat bar, 4 hole **1**



1004 flat bar, 5 hole **2**



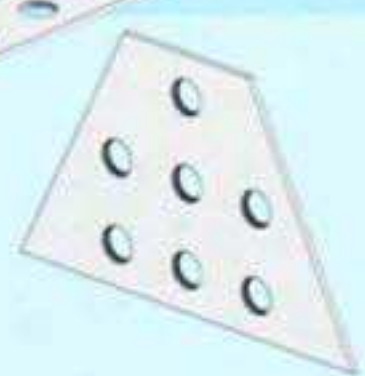
1005 flat bar, 6-hole slot **2**



1010 flat bar, 20-hole **2**



1121 trapezoidal plate, 3 x 3 holes **2**



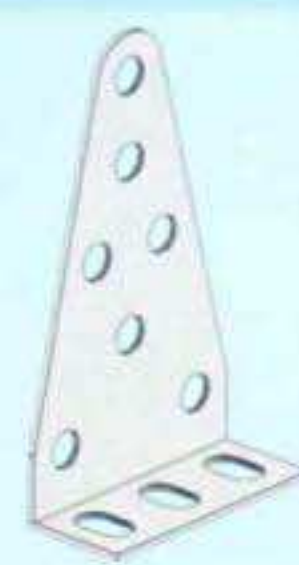
1411 crank **1**



1281 flat angle **1**



1125 trapezoidal plate 5 x 3 holes, bent **1**



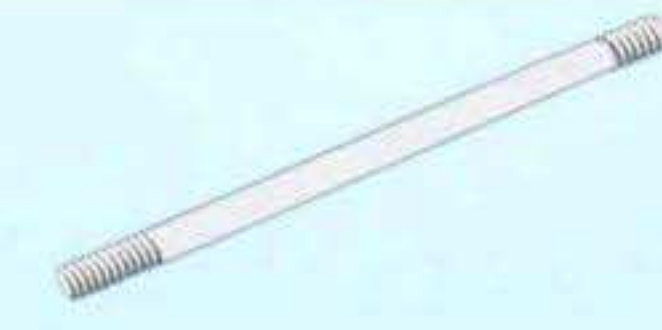
1153 disc, 30 mm diameter **1**



1041 curved flat bar **2**



1361 axle, 95 mm with threaded ends **1**



1501 bolt M 4 x 6 **25**



1502 bolt M 4 x 8 **4**



1503 bolt M 4 x 16 **1**



1251 angle, 1 x 1 hole **4**



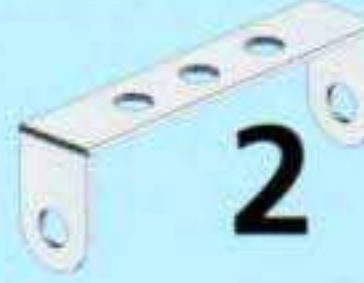
1252 angle, 1 x 1 hole, slot **2**



1253 angle, 2 x 1 hole **1**



1202 bracket, 3 x 1 hole **2**



1401 setting ring **1**



1402 flexible setting ring **2**



1403 shaft coupling **1**



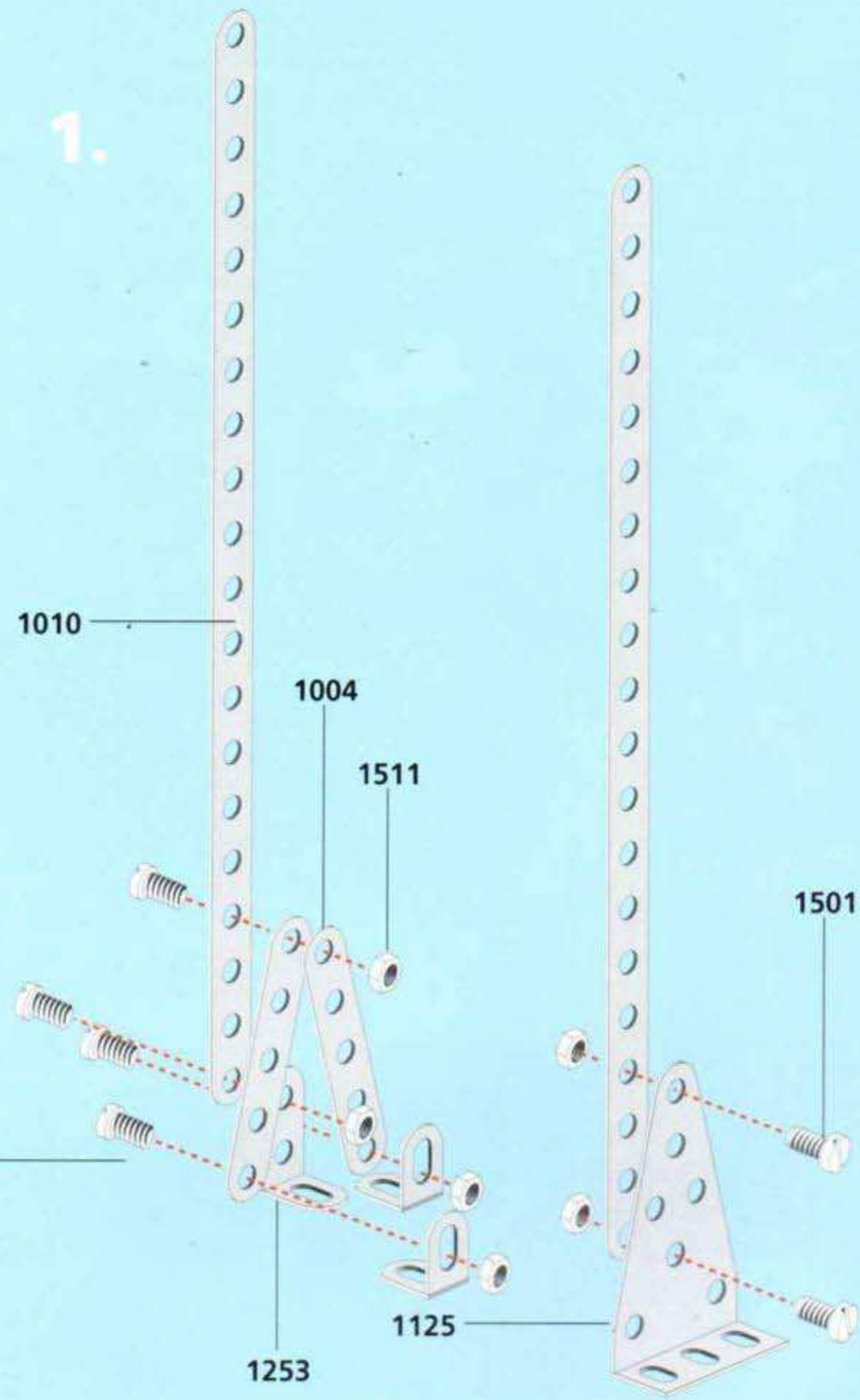
1381 threaded pin with cross slot M 4 x 4 **2**



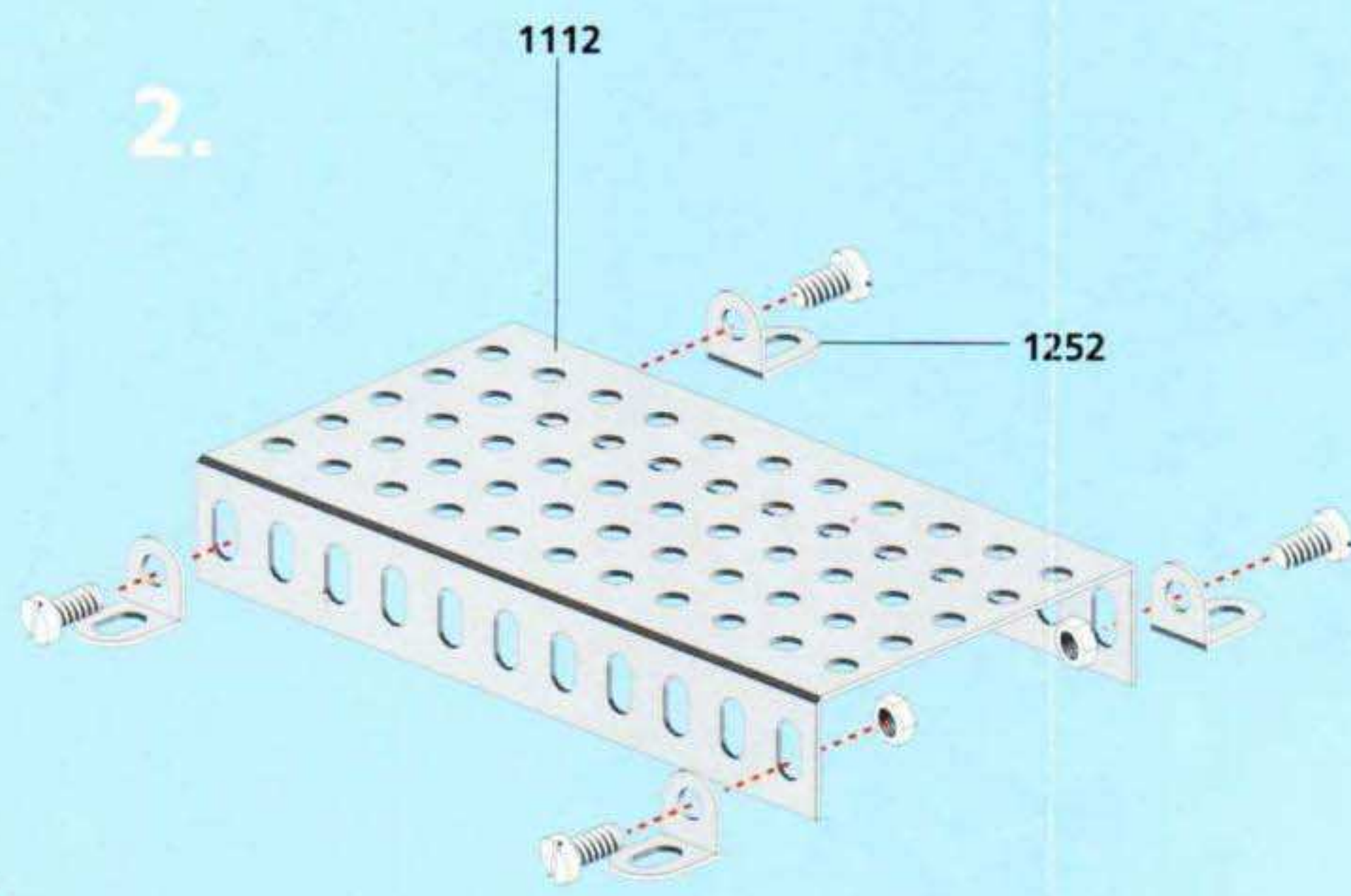
1511 nut M 4 **38**



1.



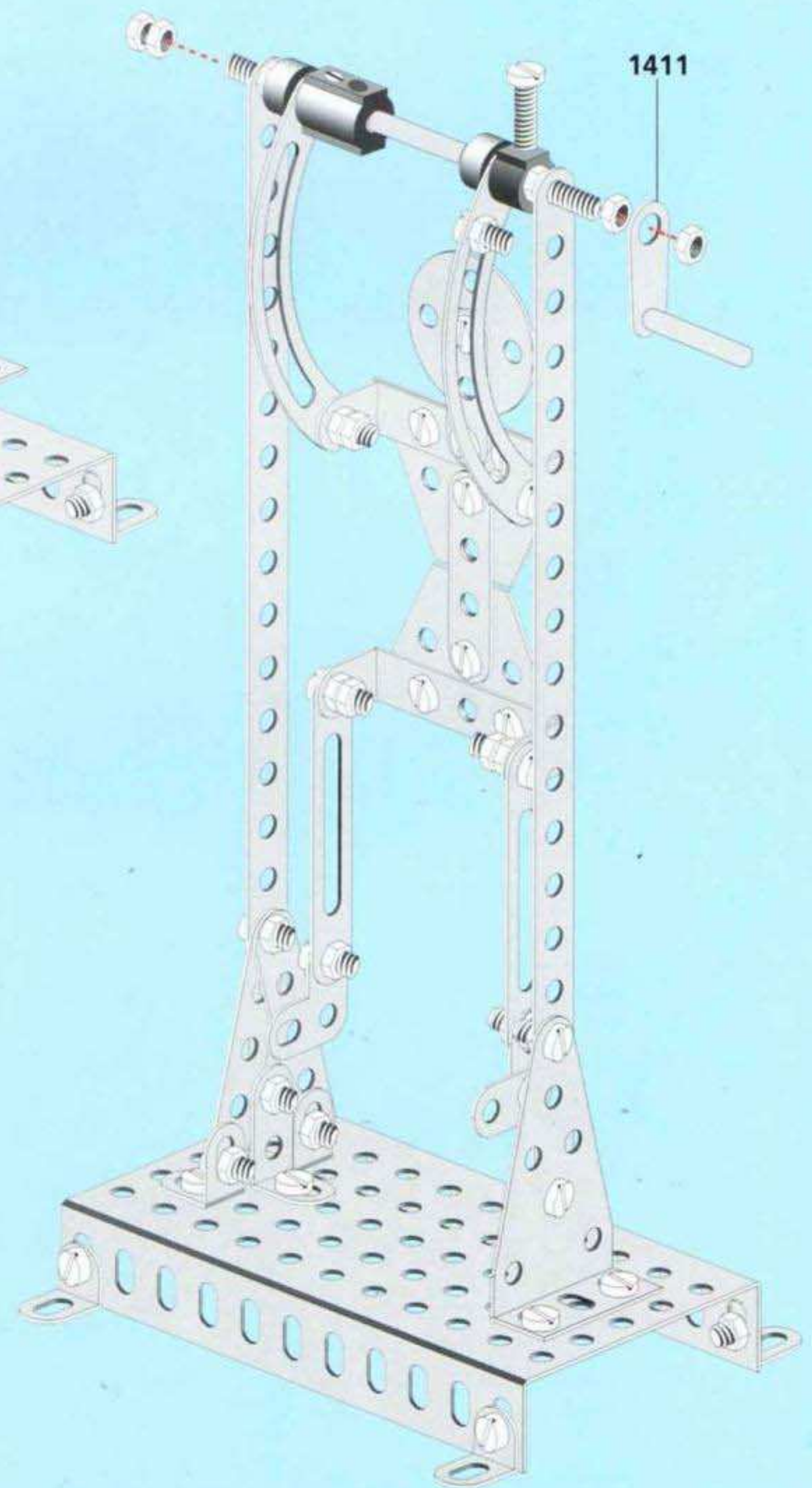
2.



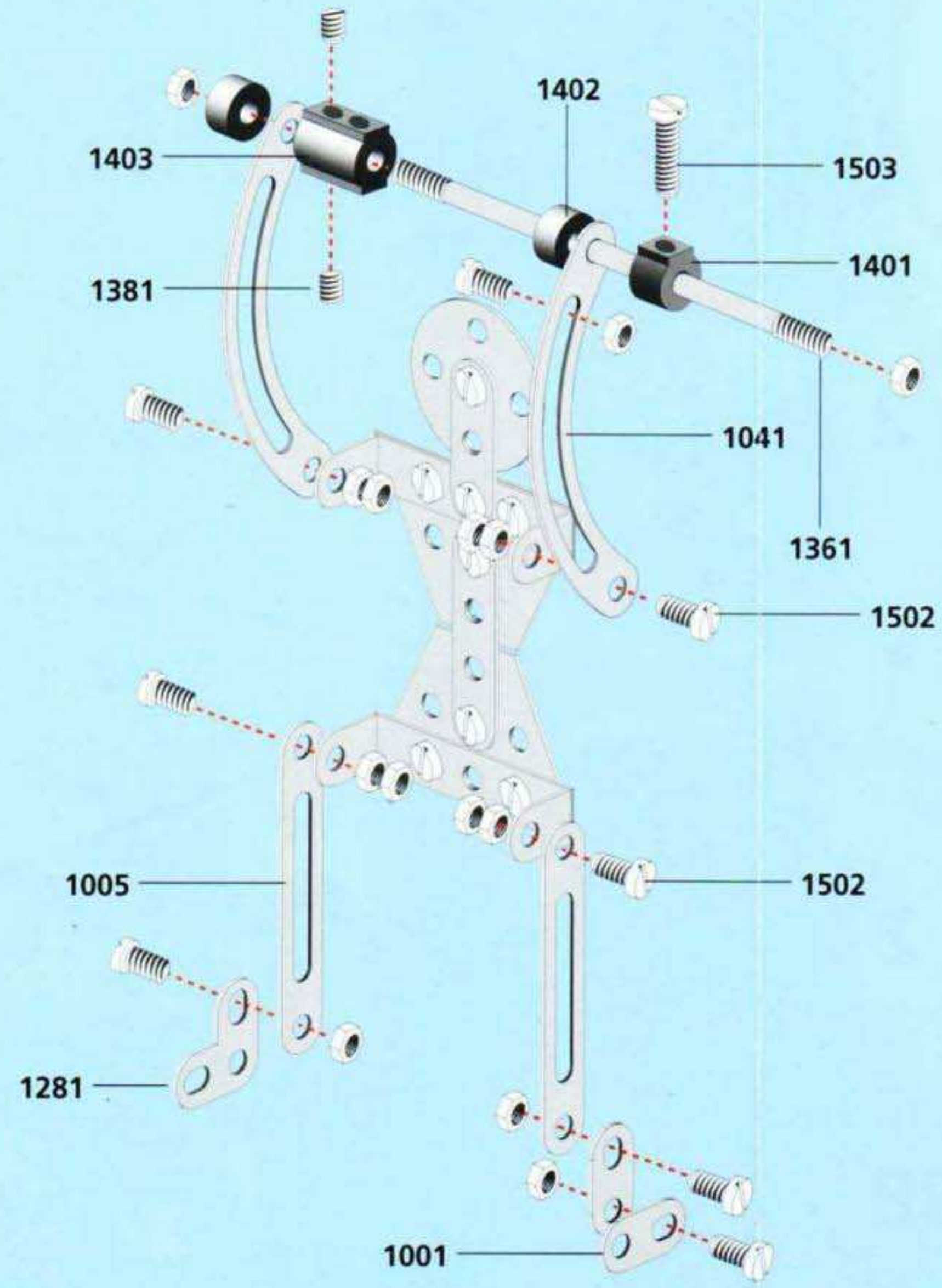
3.



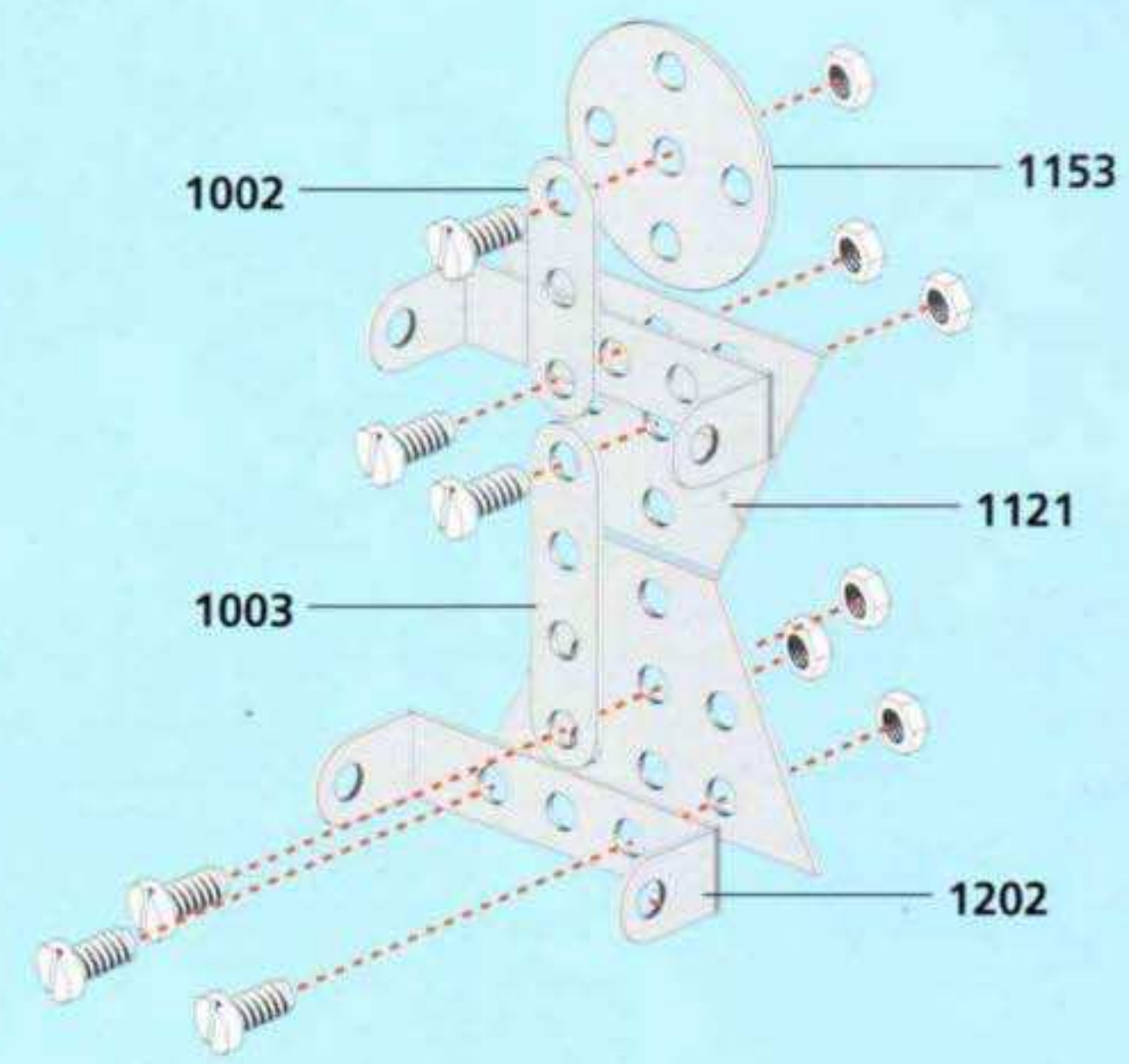
6.



5.



4.



1003 flat bar, 4 hole **6**

1006 flat bar, 7-hole **6**

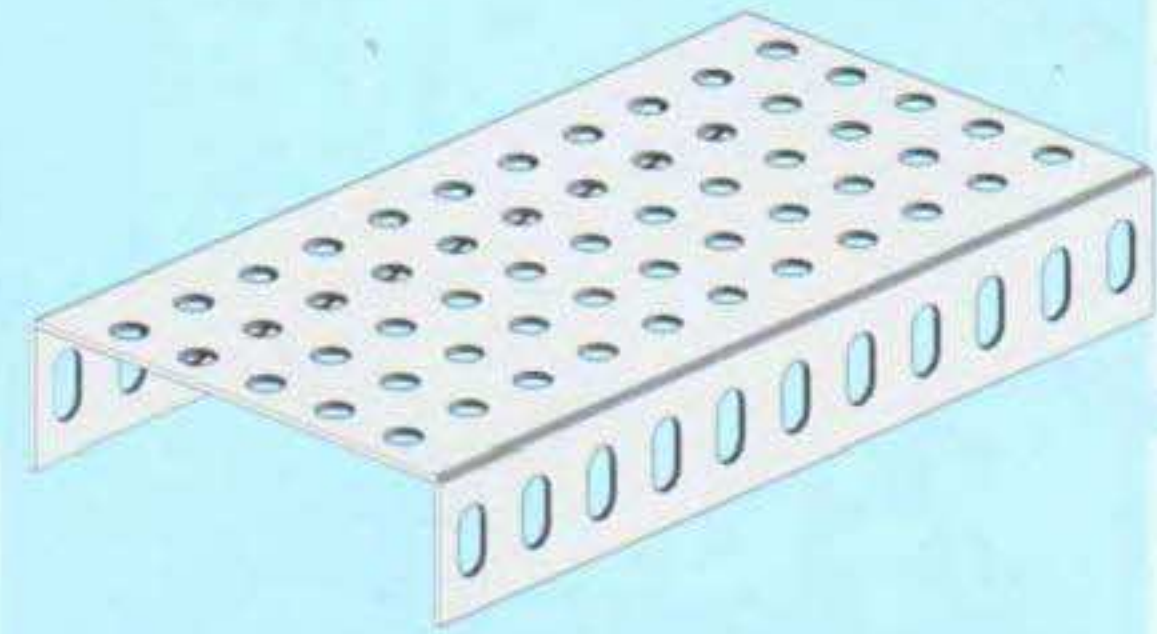
1007 flat bar, 9-hole **4**

1009 flat bar, 15-hole **2**

1104 plate, 9 x 5 holes **2**

1111 plate, 5 x 5 holes, bent on two sides **1**

1203 bracket, 5 x 1 hole **2**



1112 plate, 11 x 5 holes, bent on two sides **1**

1161 disc, 50 mm diameter with bushing **1**

1302 wheel rim, 30 mm diameter **2**

1401 setting ring **1**

1497 V-belt pulley, single groove **1**

1498 V-belt pulley, double groove **1**

1445 rubber belt **2**

1147 windmill vane **4**

1411 crank **1**

1353 axle, 95 mm **1**

1352 axle, 65 mm **1**

1361 axle, 95 mm with threaded ends **1**

1010 flat bar, 20-hole **2**

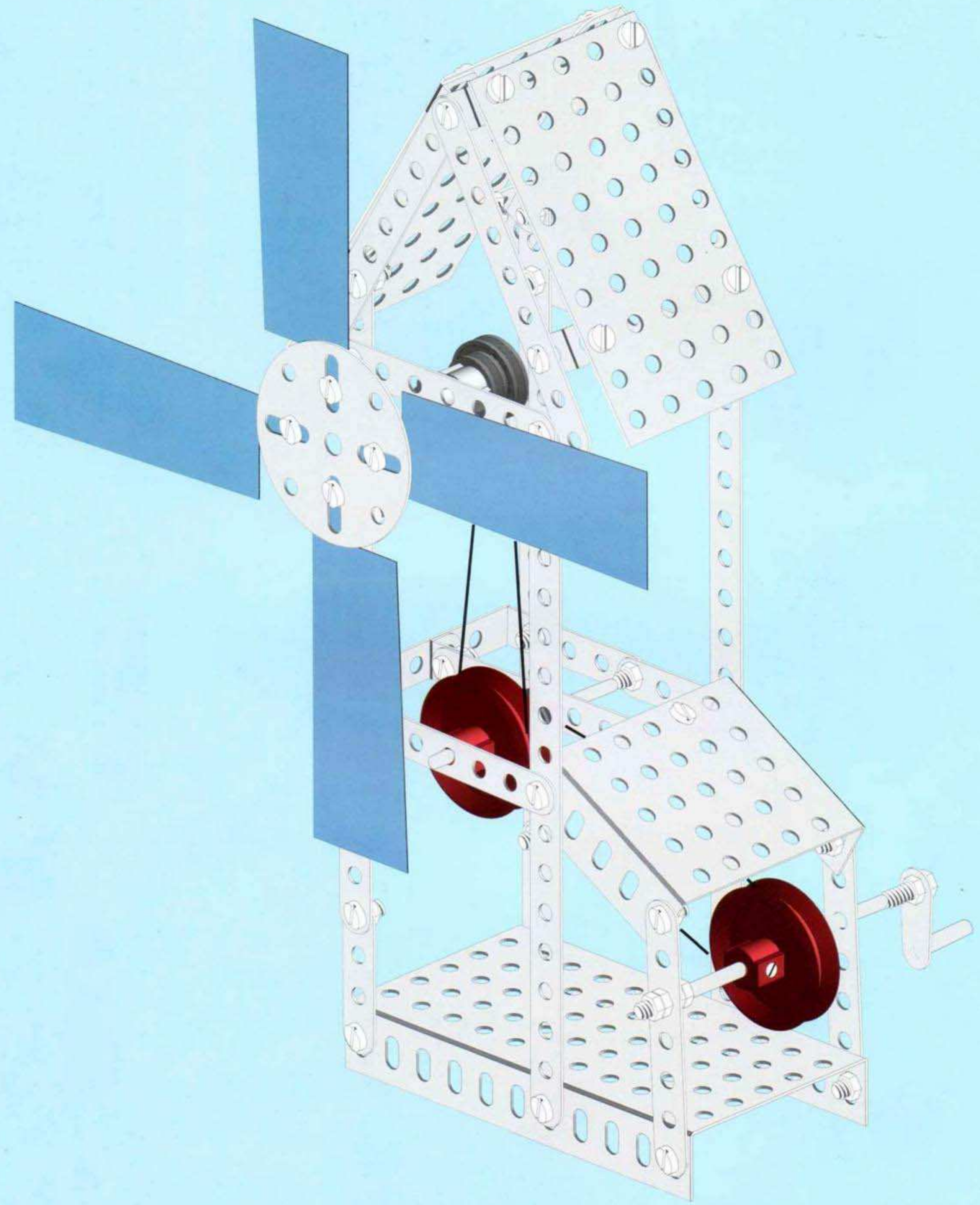
1251 angle, 1 x 1 hole **6**

1252 angle, 1 x 1 hole, slot **4**

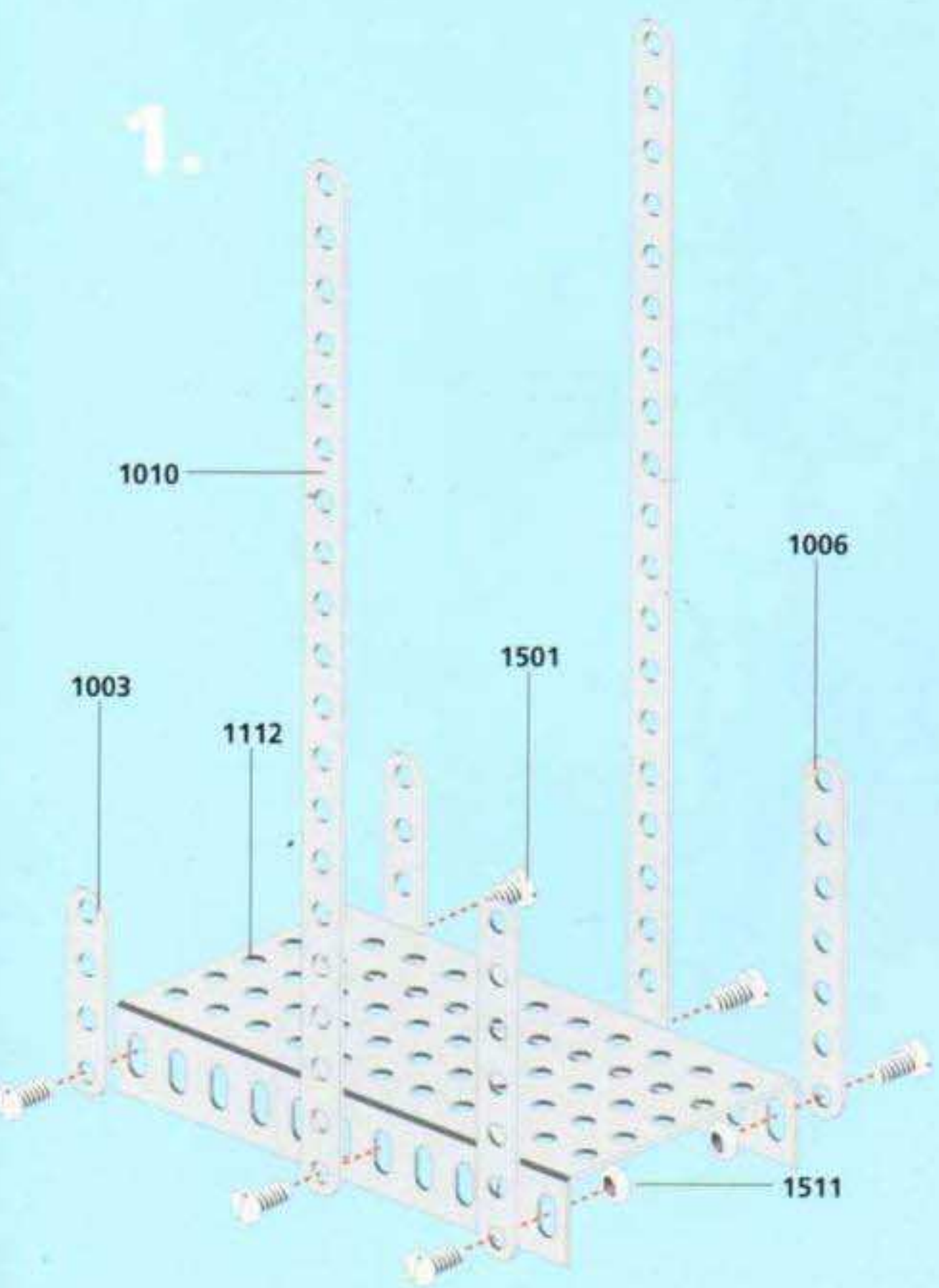
1501 bolt M 4 x 6 **43**

1381 threaded pin with cross slot M 4 x 4 **7**

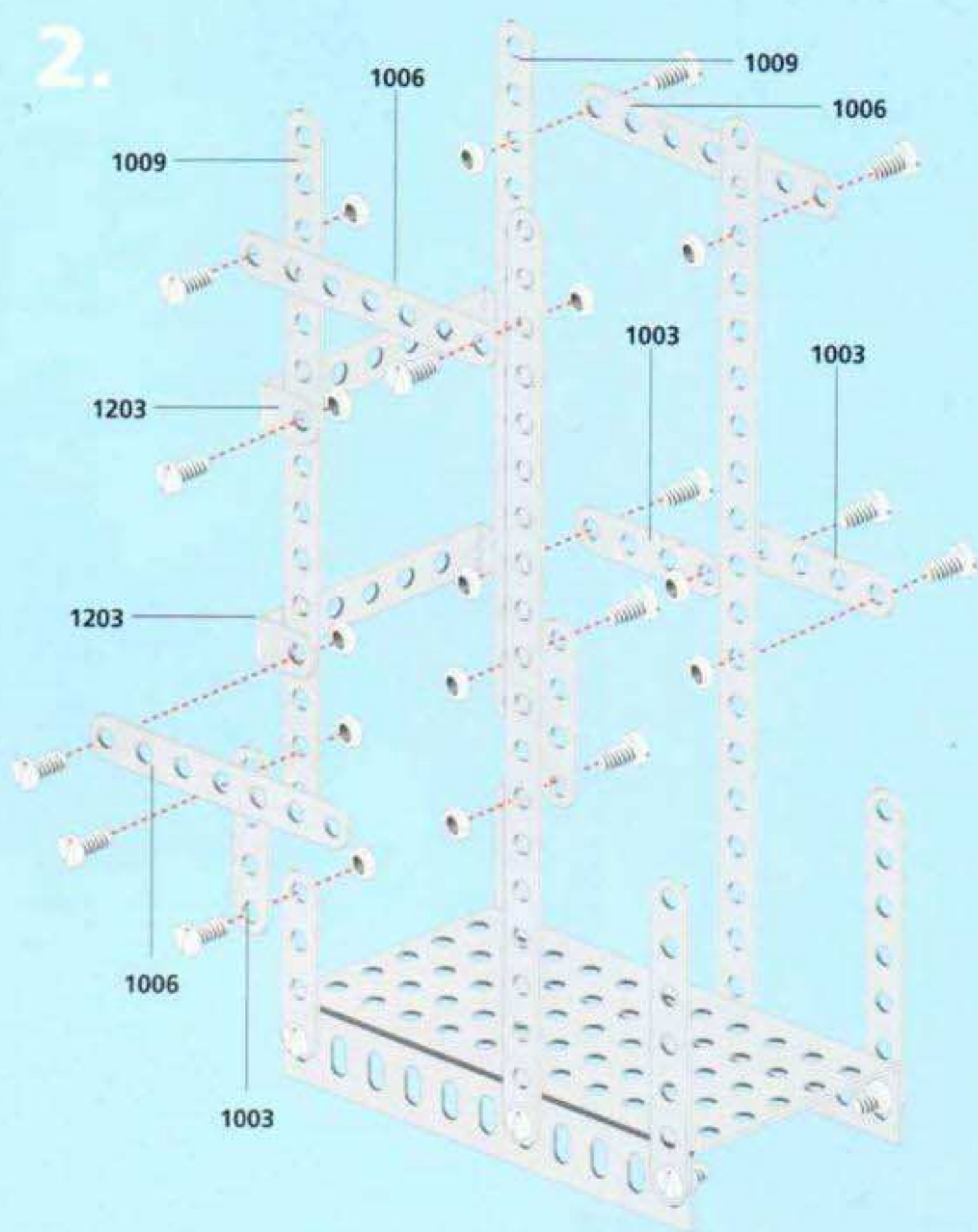
1511 nut M 4 **49**



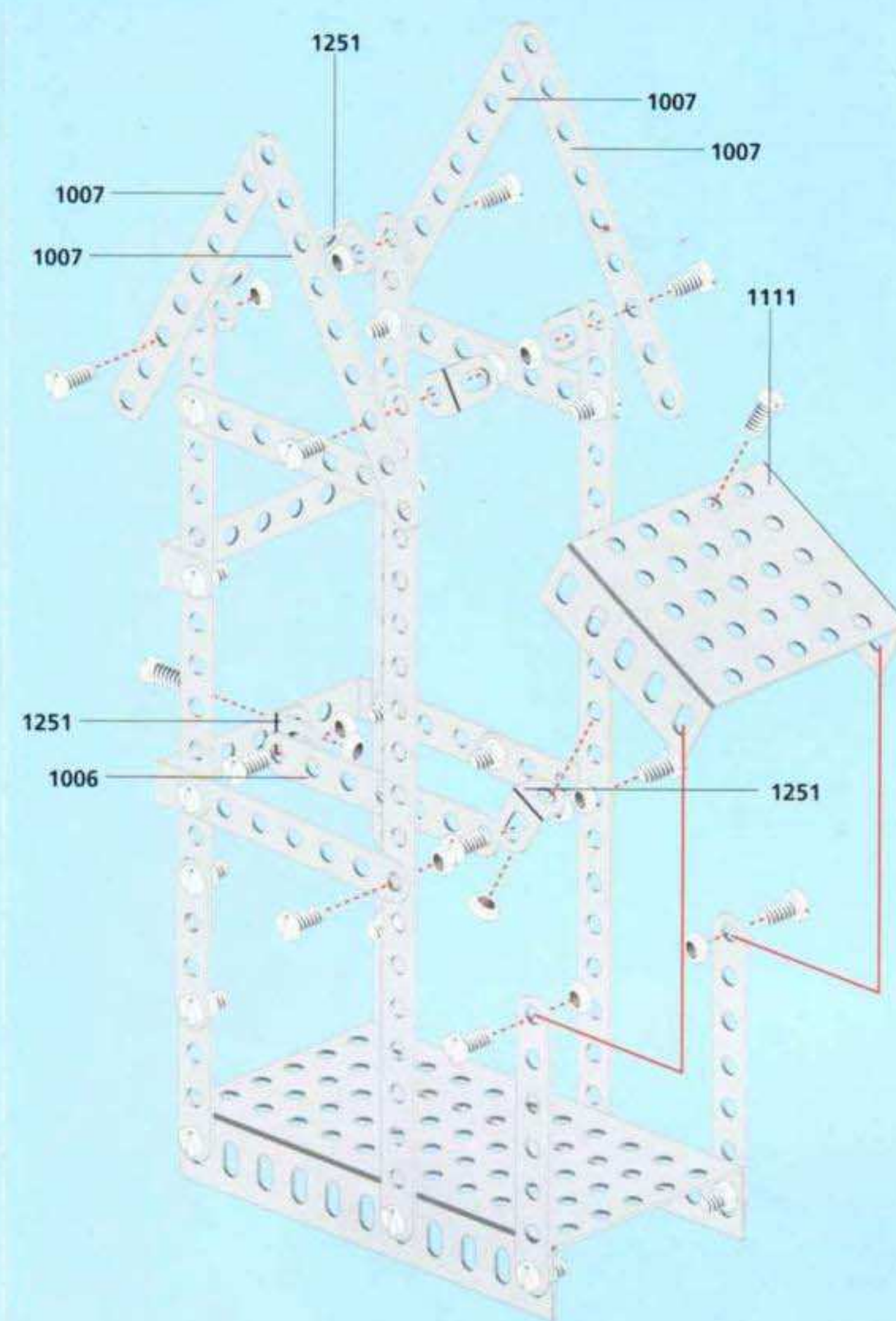
1.



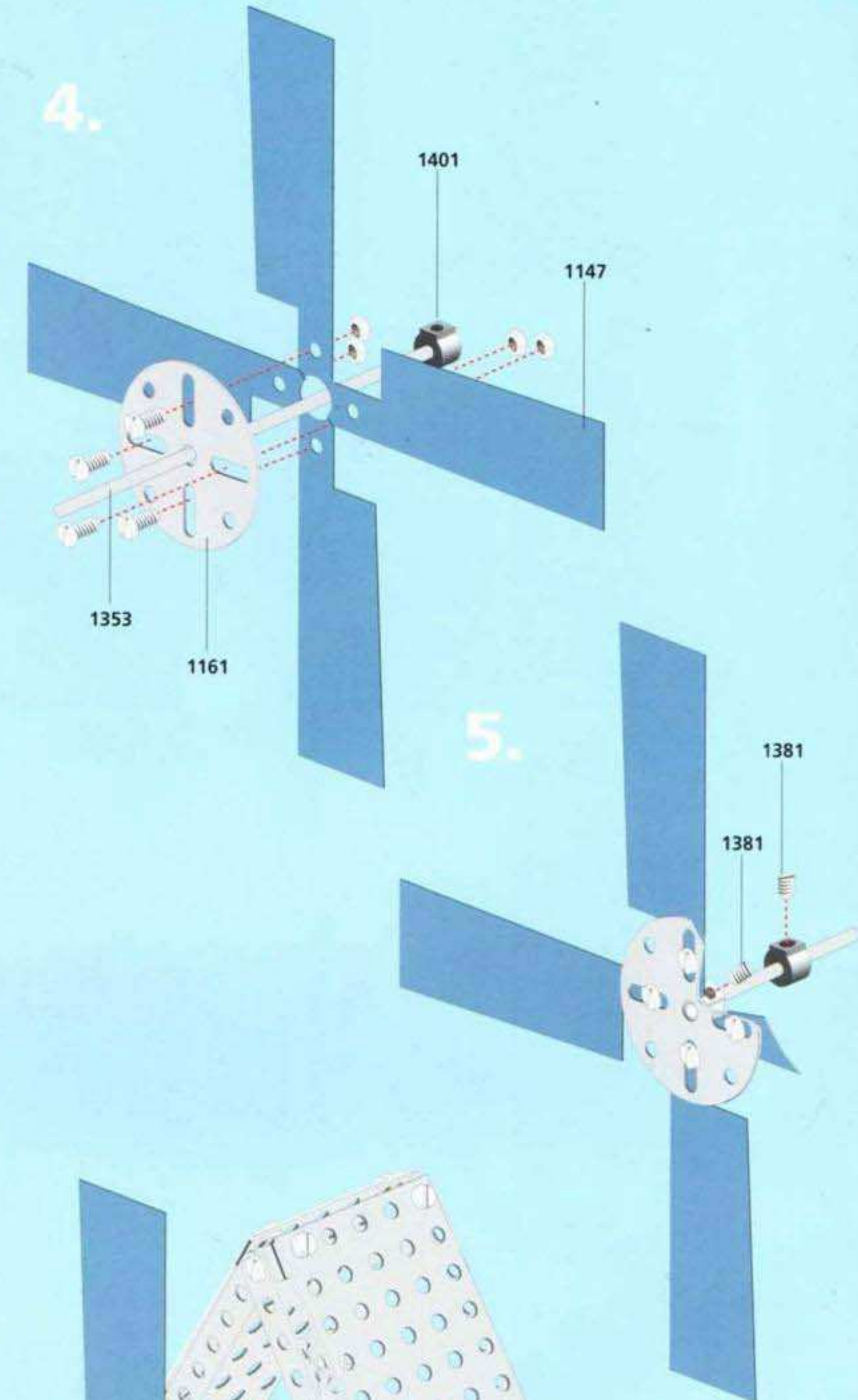
2.



3.

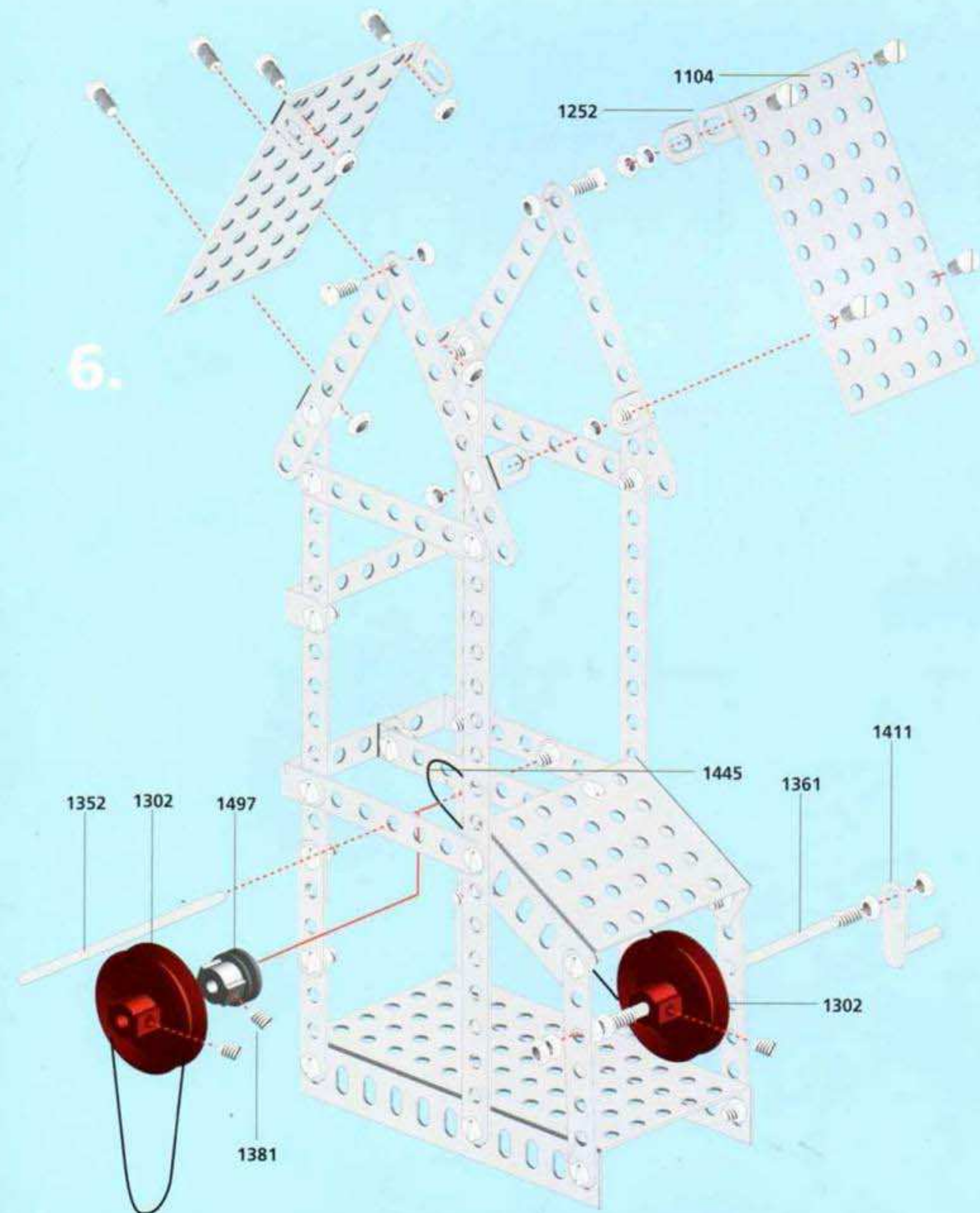


4.

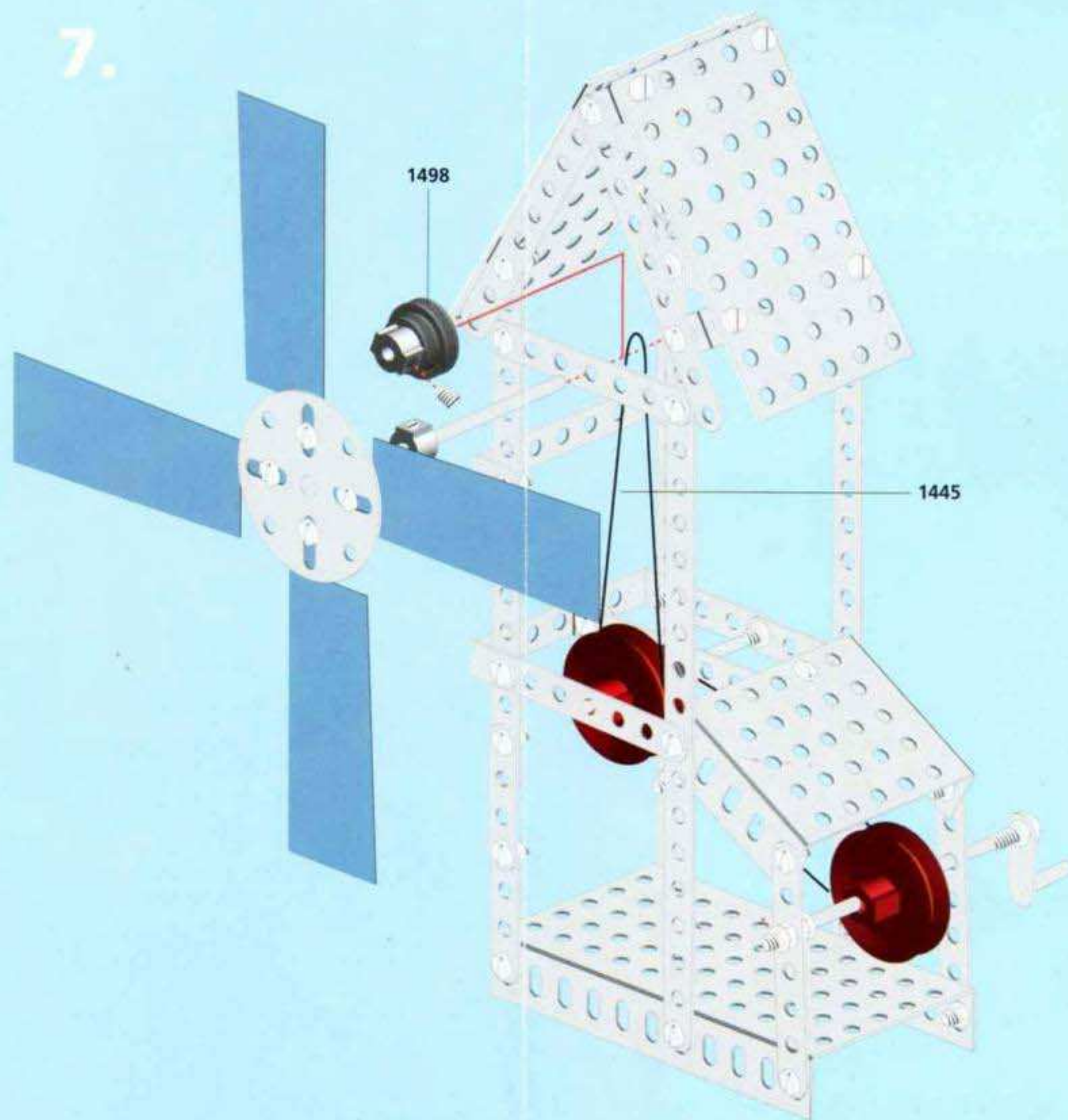


5.

6.



7.



8.

