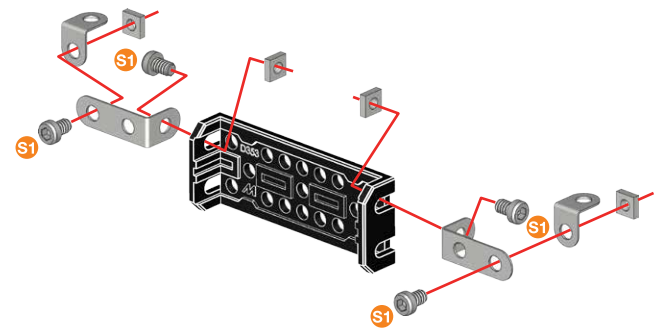
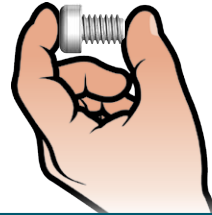


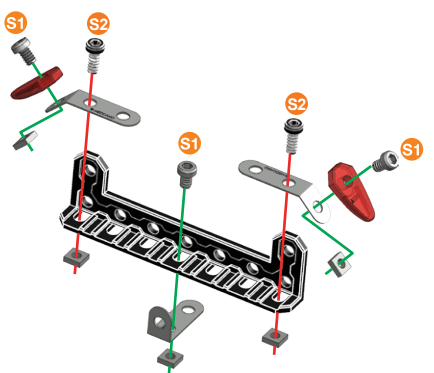
- 1**
- S1 | 5.8 mm | x4
15/64"
 - x4
 - x2
 - x2
 - x1

- S1 | 1:1



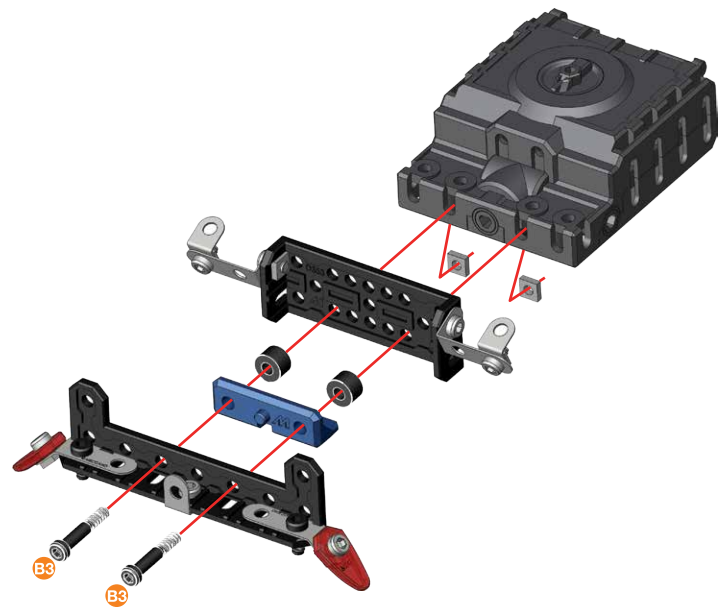
- 2**
- S1 | 5.8 mm | x3
15/64"
 - S2 | 9.5 mm | x2
3/8"
 - x5
 - x2
 - x1
 - x2
 - x1

- S1 | 1:1
- S2 | 1:1



- 3** ①+②+
- B3 | 23 mm | x2
15/16"
 - x2
 - x2
 - x1
 - x1

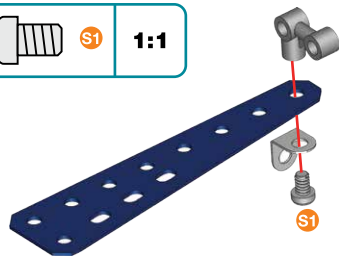
- A238 | 1:1
- B3 | 1:1



4

	5.8 mm 15/64"	x1
		x1
		x1
		x1

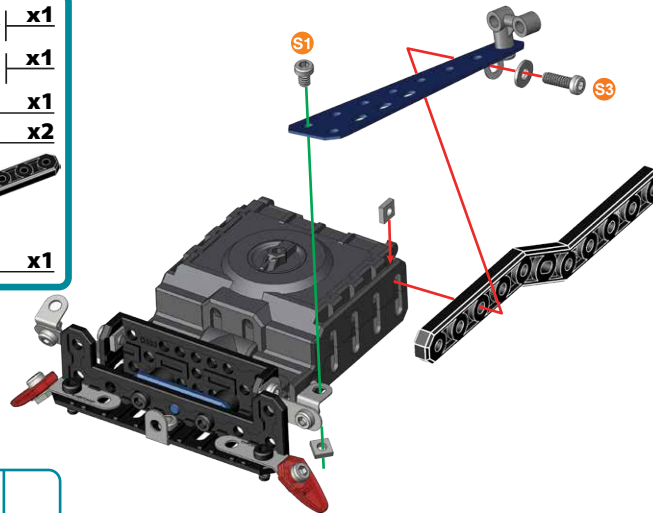
	1:1
--	-----



5 ③+④+

	5.8 mm 15/64"	x1
	12 mm 1/2"	x1
		x1
		x2
		x1

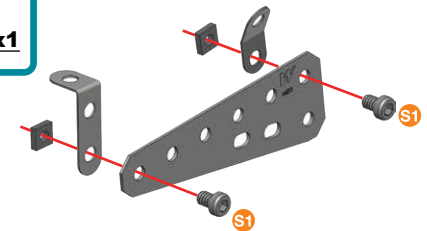
	1:1
	1:1



6

	5.8 mm 15/64"	x2
		x2
		x1
		x1
		x1

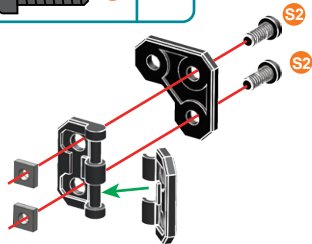
	1:1
--	-----



7

	9.5 mm 3/8"	x2
		x2
		x1
		x1
		x1

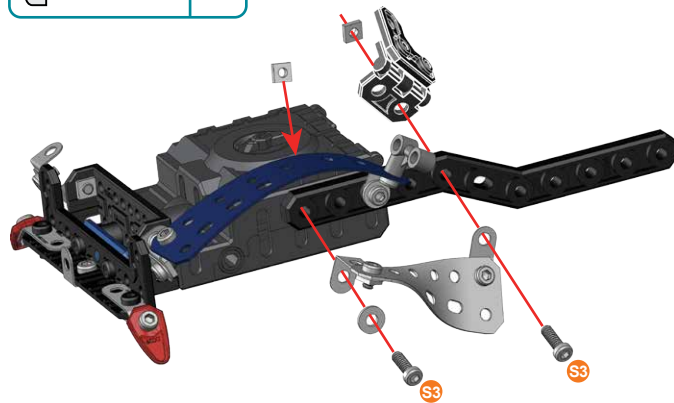
	1:1
--	-----



8 ⑤+⑥+⑦+

	12 mm 1/2"	x2
		x1
		x2

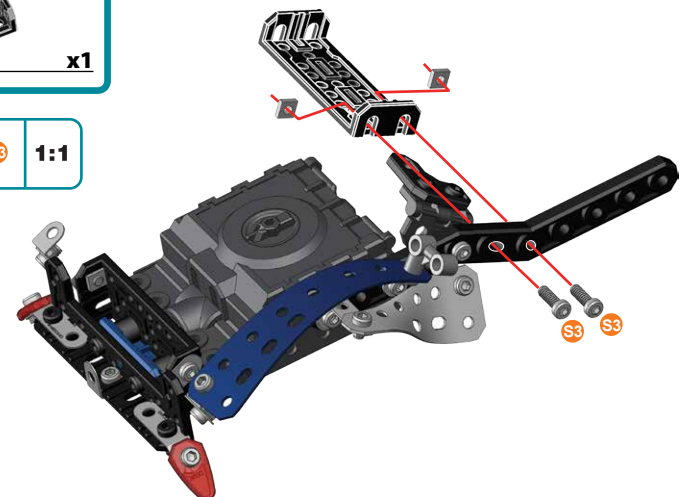
	1:1
--	-----



9

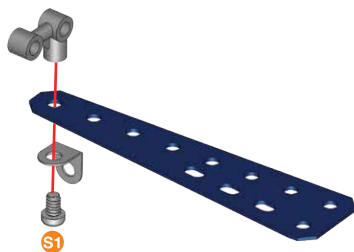
	12 mm 1/2"	x2
		x2
		x1

	1:1
--	-----



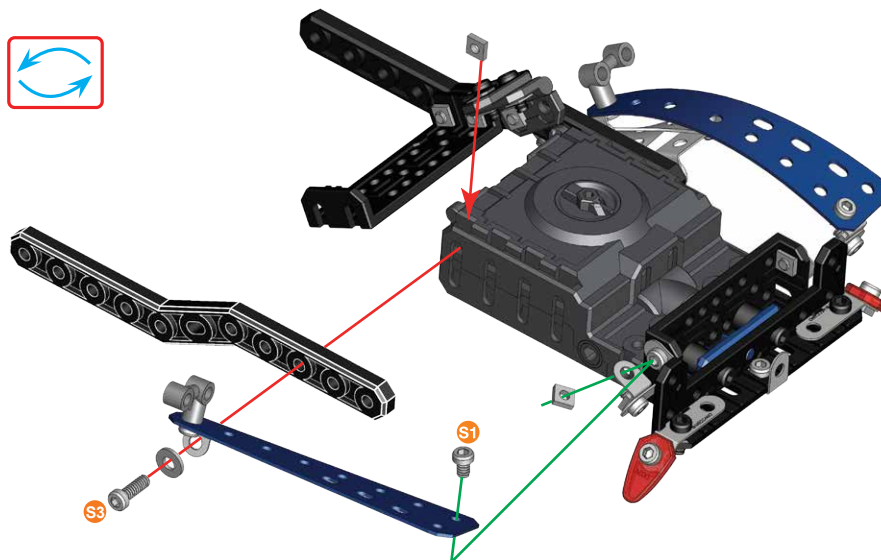
- 10**
- 5.8 mm | 15/64" | **x1**
 - x1**
 - x1**
 - x1**

- 1:1**



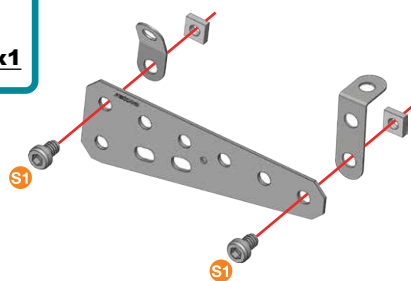
- 11** ⑨+⑩+
- 5.8 mm | 15/64" | **x1**
 - 12 mm | 1/2" | **x1**
 - x1**
 - x2**
 - x1**

- 1:1**
- S3**



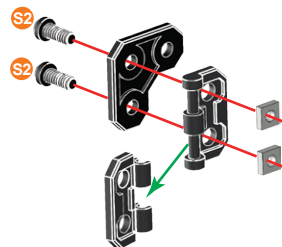
- 12**
- 5.8 mm | 15/64" | **x2**
 - x2**
 - x1**
 - x1**
 - x1**

- 1:1**



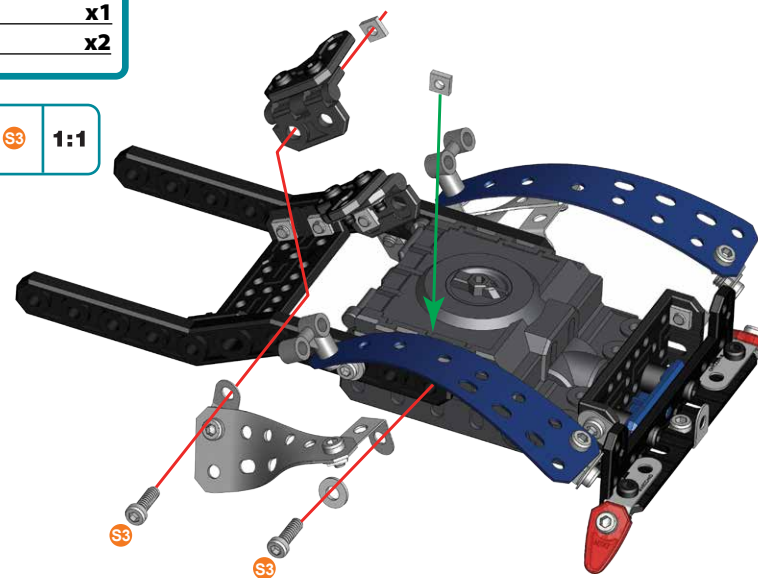
- 13**
- 9.5 mm | 3/8" | **x2**
 - x2**
 - x1**
 - x1**
 - x1**

- 1:1**





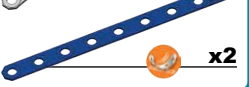


- 14** ⑪+⑫+⑬+
- 12 mm | 1/2" | **x2**
 - x1**
 - x2**

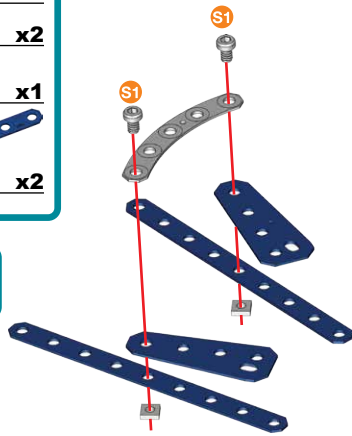
- 1:1**






15

-  5.8 mm | 15/64" | **x2**
-  **x2**
-  **x2**
-  **x1**
-  **x2**

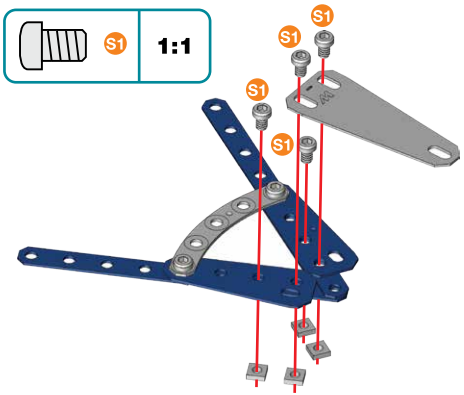
-  **1:1**



16




-  5.8 mm | 15/64" | **x4**
-  **x4**
-  **x1**

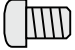

-  **1:1**

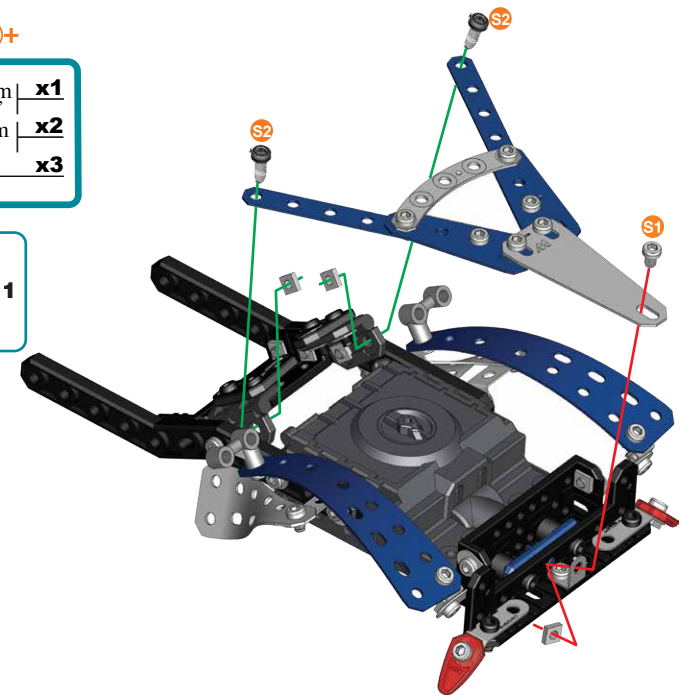


17






(14)+(16)+

-  5.8 mm | 15/64" | **x1**
-  9.5 mm | 3/8" | **x2**
-  **x3**

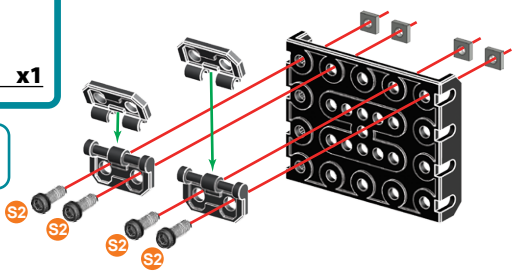
-  **1:1**
-  **1:1**







18

-  9.5 mm | 3/8" | **x4**
-  **x4**
-  **x2**
-  **x2**
-  **x1**

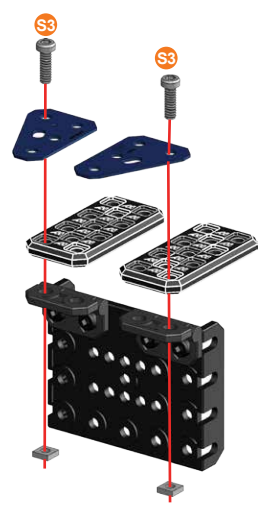
-  **1:1**





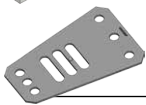
19

-  12 mm | 1/2" | **x2**
-  **x2**
-  **x2**
-  **x2**

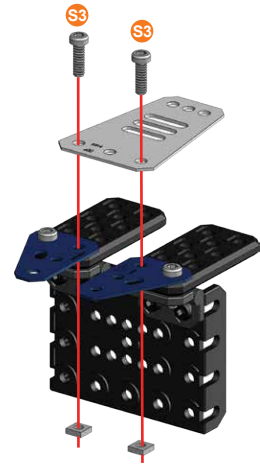
-  **1:1**



20

-  12 mm | 1/2" | **x2**
-  **x2**
-  **x1**

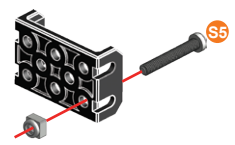
-  **1:1**



21

- S5 | 25 4mm | x1
- S5 | | x1
- | x1

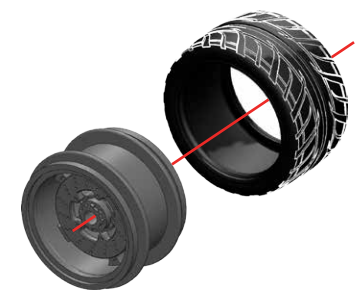
- S5 | 1:1



22

- | x3
- | x3

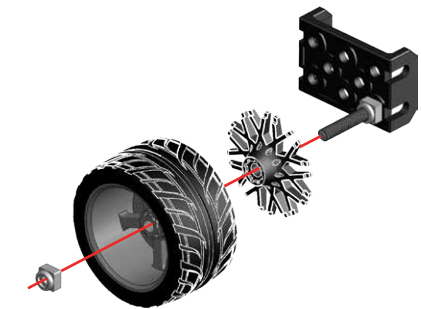
- x2
- x1



23

21+22+

- S5 | x1
- | x1

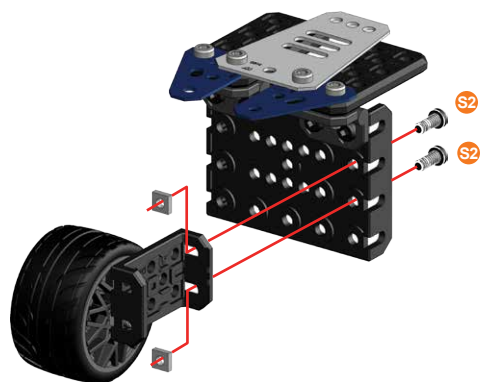


24

20+23+

- S2 | 9.5 mm | x2
- $\frac{3}{8}$ " | x2
- S2 | x2

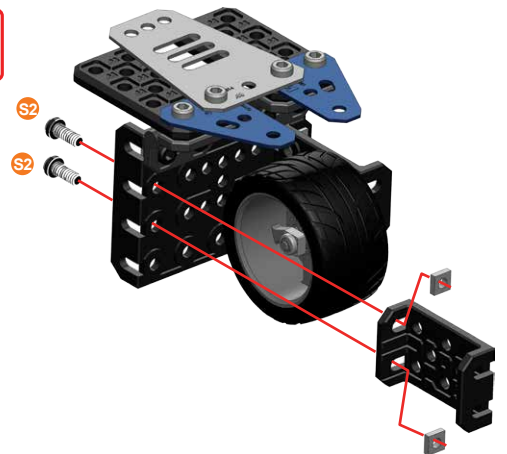
- S2 | 1:1



25

- S2 | 9.5 mm | x2
- $\frac{3}{8}$ " | x2
- | x1

- S2 | 1:1

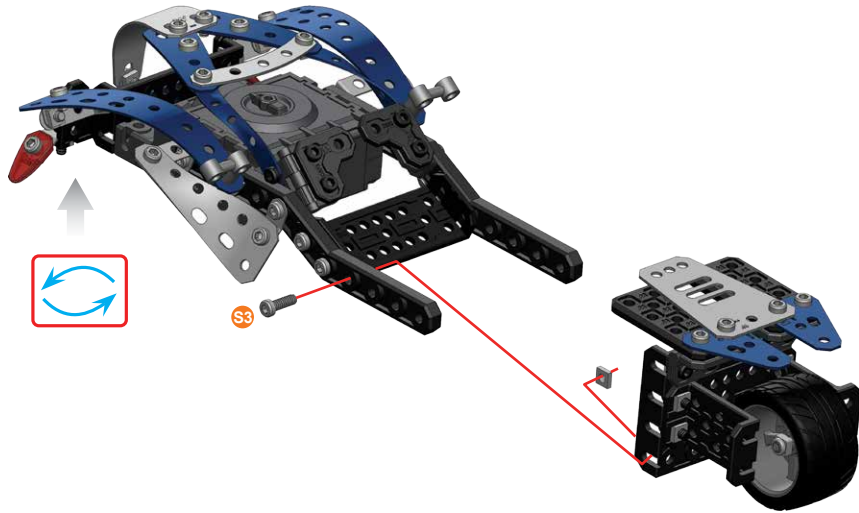


26

17+25+

- S3 | 12 mm | x1
1/2"
- x1

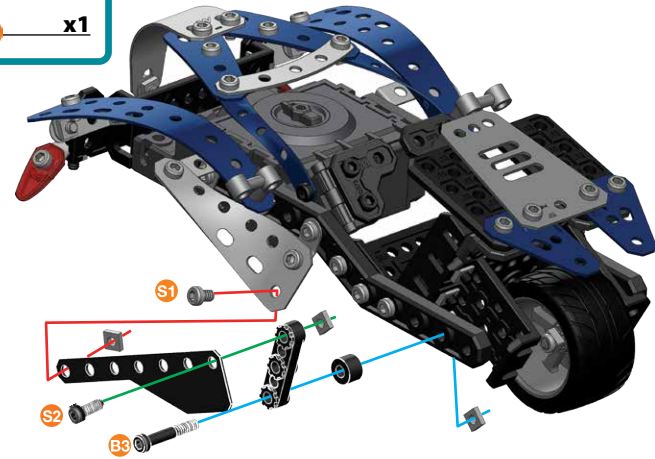
- S3 | 1:1



27

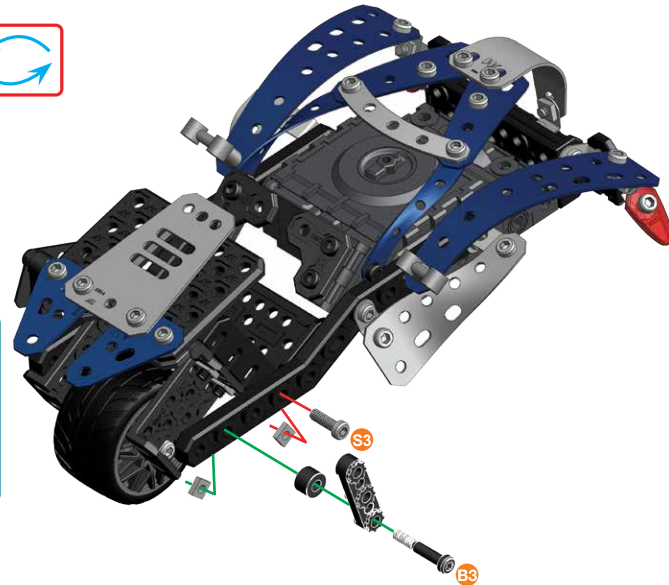
- S1 | 5.8 mm | x1
15/64"
- S2 | 9.5 mm | x1
3/8"
- B3 | 23 mm | x1
15/16"
- x3
- x1
- x1

- S1
- S2
- B3
- 1:1
- A238



28

- S3 | 12 mm | x1
1/2"
- B3 | 23 mm | x1
15/16"
- x2
- x1
- x1

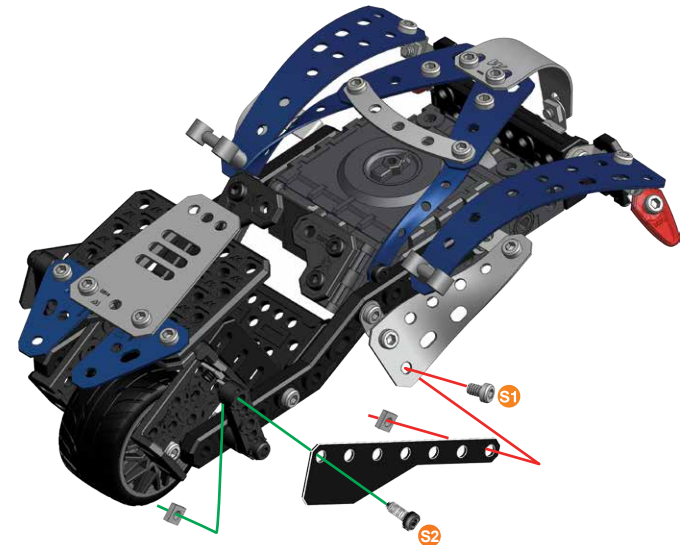


- S3
- B3
- 1:1
- A238

29

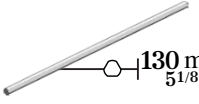



- S1 | 5.8 mm | x1
15/64"
- S2 | 9.5 mm | x1
3/8"
- x2
- x1

- S1
- S2
- 1:1



30

②+②+

	130 mm 5 1/8"	x1
		x2
		x2
		x2

