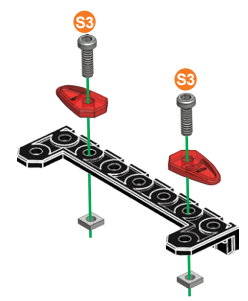


1

- S3 | 12 mm | 1/2" | x2
- S3 | x2
- x2
- x1

S3 | 1:1



2

- S1 | 5.8 mm | 15/64" | x2
- S1 | x2
- x2
- x2

S1 | 1:1

3

- S1 | 5.8 mm | 15/64" | x2
- S1 | x2
- x1

S1 | 1:1

4

- S2 | 9.5 mm | 3/8" | x2
- S2 | x2
- x2
- x1

S2 | 1:1

5

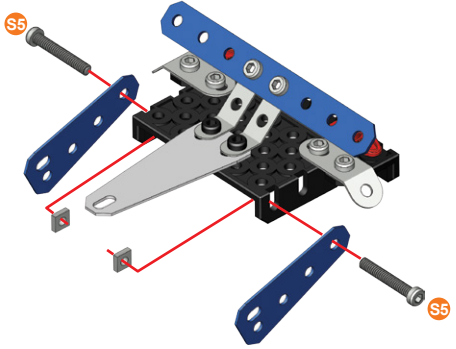
- S1 | 5.8 mm | 15/64" | x2
- S1 | x2
- x1

S1 | 1:1

6

- S5 | 25.4 mm | 1" | x2
- x2
- x2

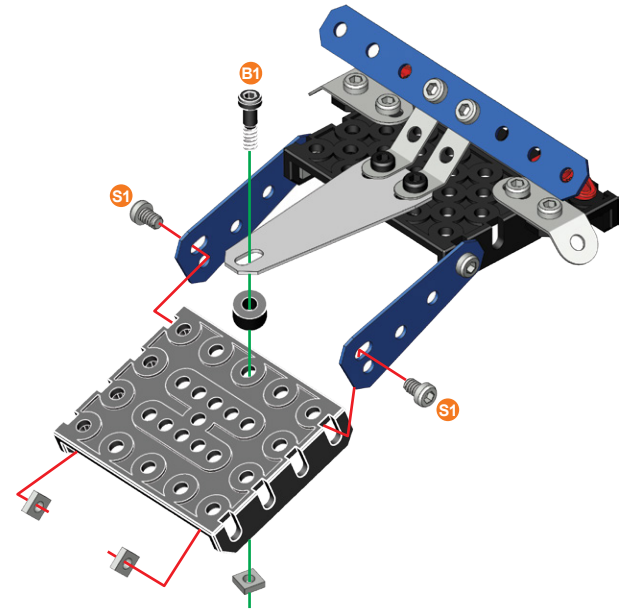
- S5 | 1:1



7

- S1 | 5.8 mm | 15/64" | x2
- B1 | 14.7 mm | 37/64" | x1
- x3
- x1
- x1

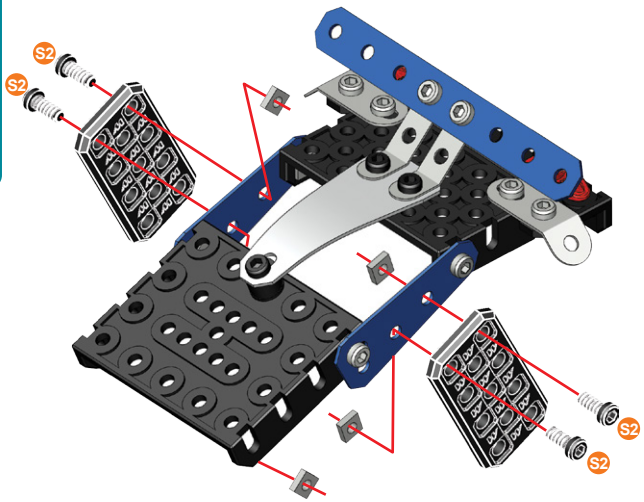
- S1
- B1
- A238
- 1:1



8

- S2 | 9.5 mm | 3/8" | x4
- x4
- x2

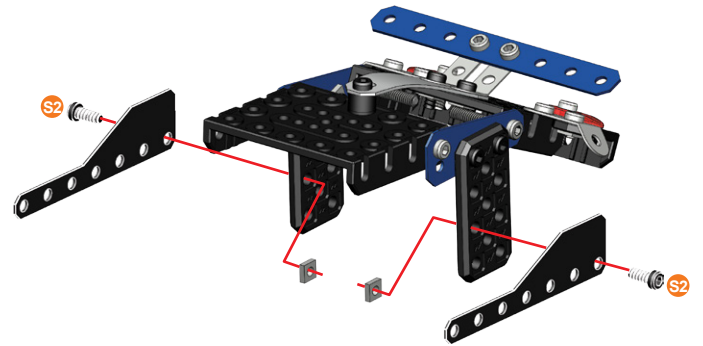
- S2 | 1:1



9

- S2 | 9.5 mm | 3/8" | x2
- x2
- x2

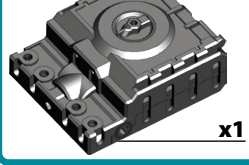
- S2 | 1:1



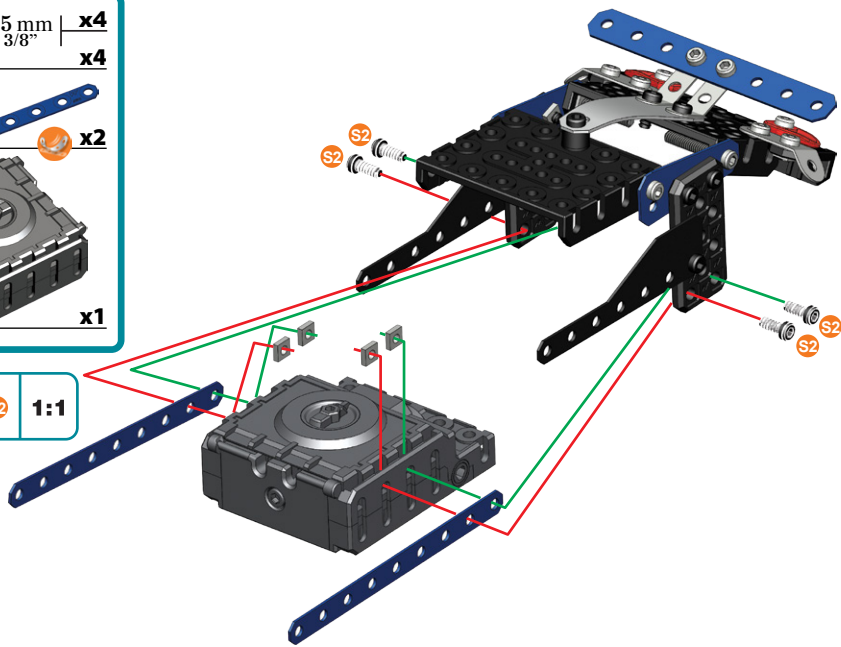
10

- | 9,5 mm | $\frac{3}{8}$ " | x4
- | x4

- | x2



- | 1:1

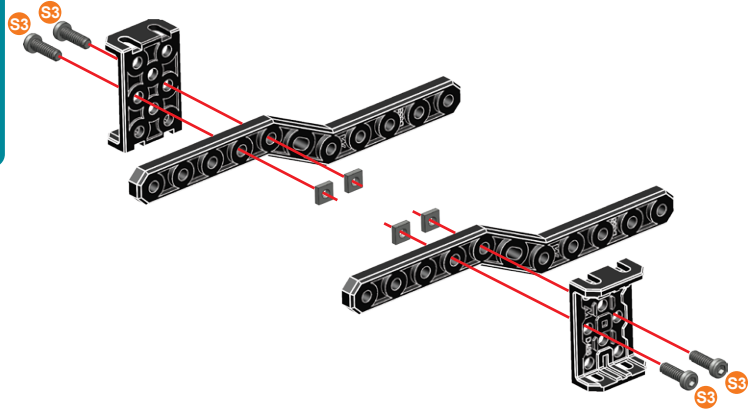


11

- | 12 mm | $\frac{1}{2}$ " | x4
- | x4

- | x2
- | x2

- | 1:1

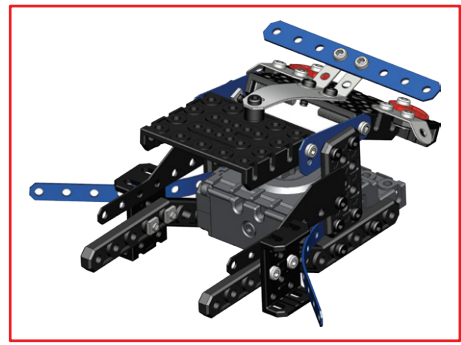
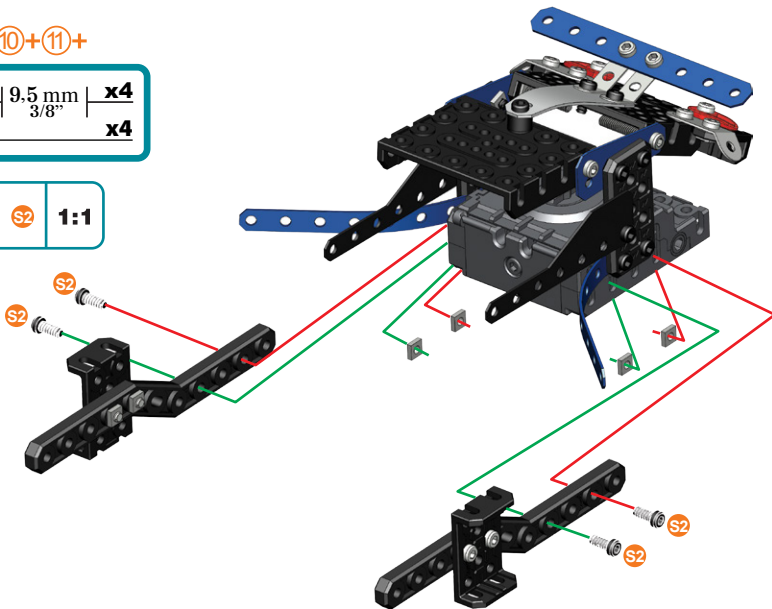


12

⑩+⑪+

- | 9,5 mm | $\frac{3}{8}$ " | x4
- | x4

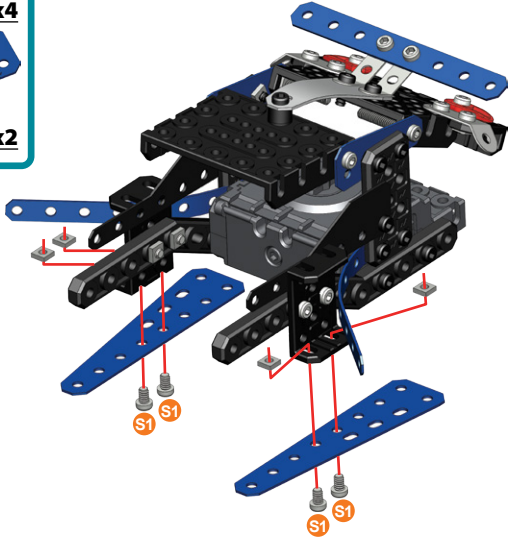
- | 1:1



13

- 5.8 mm | 15/64" | x4
- x4
- x2

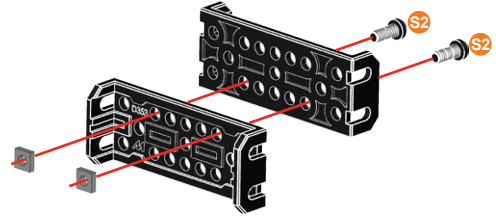
- 1:1



14

- 9.5 mm | 3/8" | x2
- x2
- x2

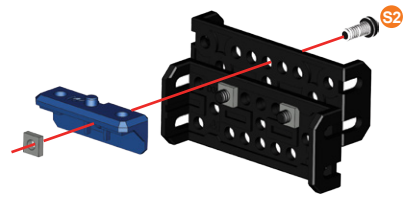
- 1:1



15

- 9.5 mm | 3/8" | x1
- x1
- x1

- 1:1

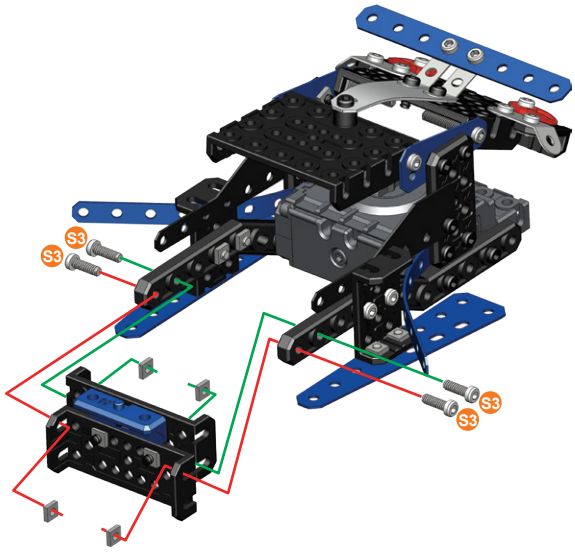


16

13+15+

- 12 mm | 1/2" | x4
- x4

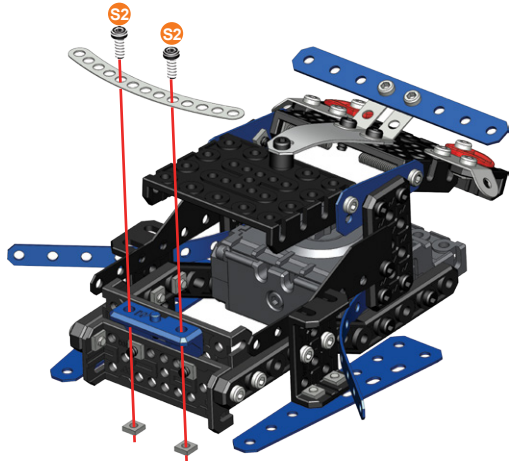
- 1:1







17

- 9.5 mm | 3/8" | x2
- x2
- x1

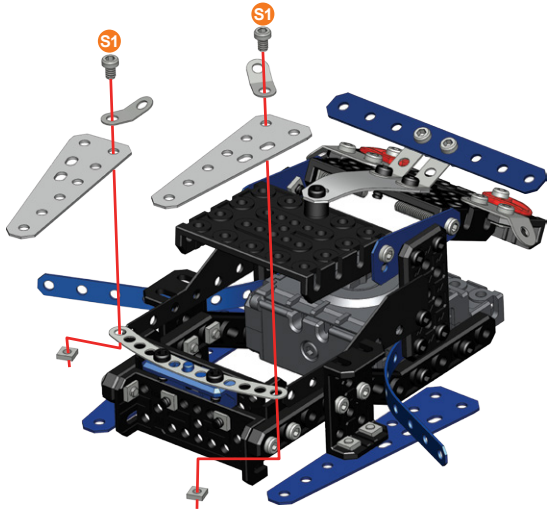
- 1:1






18

-  S1 | 5.8 mm | x2
15/64"
-  | x2
-  | x2
-  | x2

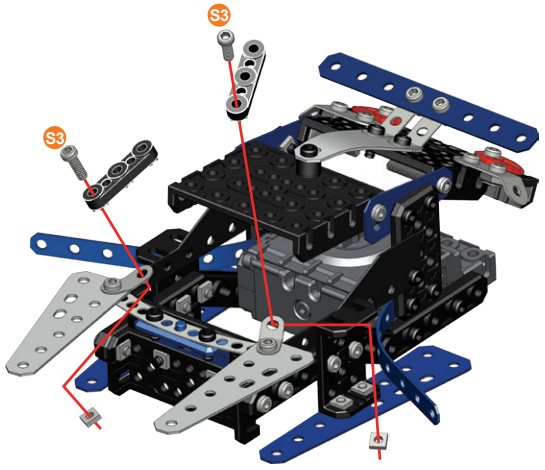
-  S1 | 1:1








19



-  S3 | 12 mm | x2
1/2"
-  | x2
-  | x2

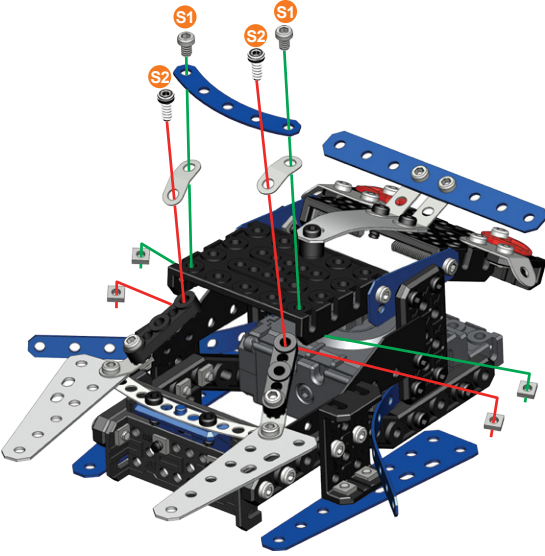
-  S3 | 1:1






20

-  S1 | 5.8 mm | x2
15/64"
-  S2 | 9.5 mm | x2
3/8"
-  | x4
-  | x2
-  | x1

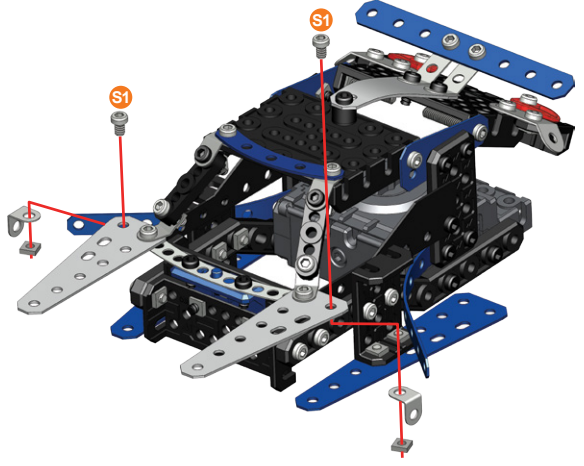
-  S1 | 1:1
-  S2 | 1:1





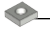

21



-  S1 | 5.8 mm | x2
15/64"
-  | x2
-  | x2

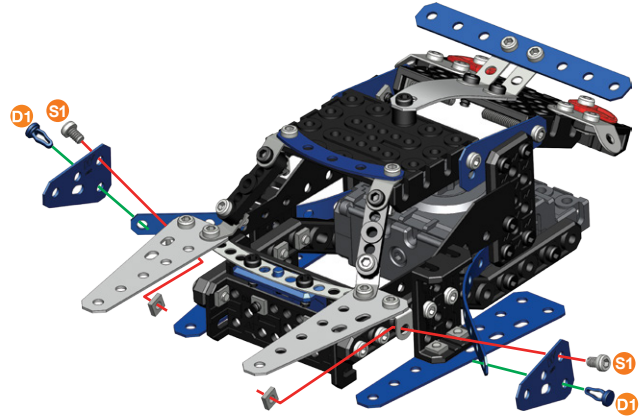
-  S1 | 1:1







22

-  | 11.25mm | **x2**
7/16"
-  | 5.8 mm | **x2**
15/64"
-  | **x2**
-  | **x2**

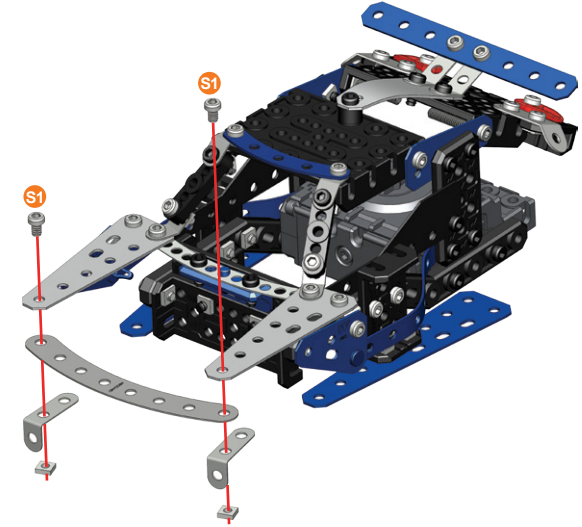
-  | **1:1**
-  | **1:1**




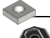


23

-  | 5.8 mm | **x2**
15/64"
-  | **x2**
-  | **x2**
-  | **x1**

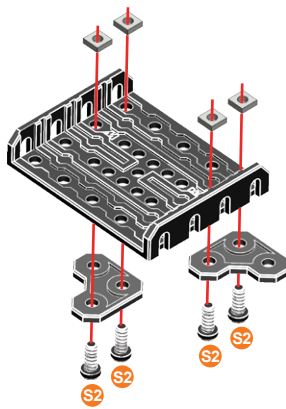
-  | **1:1**







24

-  | 9.5 mm | **x4**
3/8"
-  | **x4**
-  | **x2**
-  | **x1**

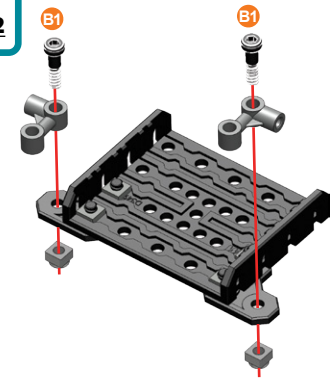
-  | **1:1**






25

-  | 14.7 mm | **x2**
37/64"
-  | **x2**
-  | **x2**
-  | **x2**

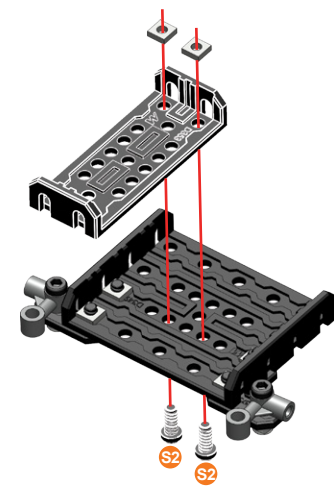
-  | **1:1**



26

-  | 9.5 mm | **x2**
3/8"
-  | **x2**
-  | **x1**

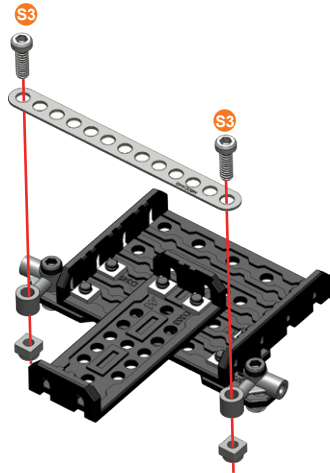
-  | **1:1**



27

- 12 mm | 1/2" | x2
- x2
- x1

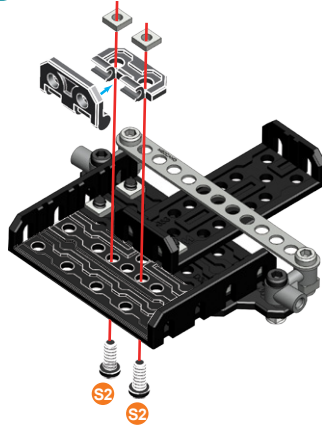
- 1:1



28

- 9.5 mm | 3/8" | x2
- x2
- x1
- x1

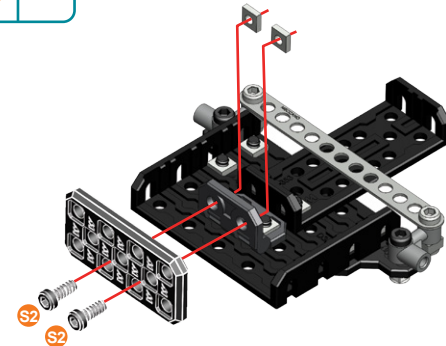
- 1:1



29

- 9.5 mm | 3/8" | x2
- x2
- x1

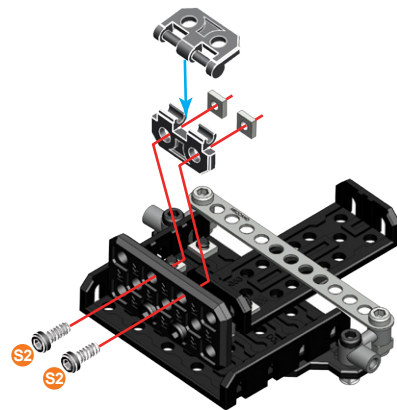
- 1:1



30

- 9.5 mm | 3/8" | x2
- x2
- x1
- x1

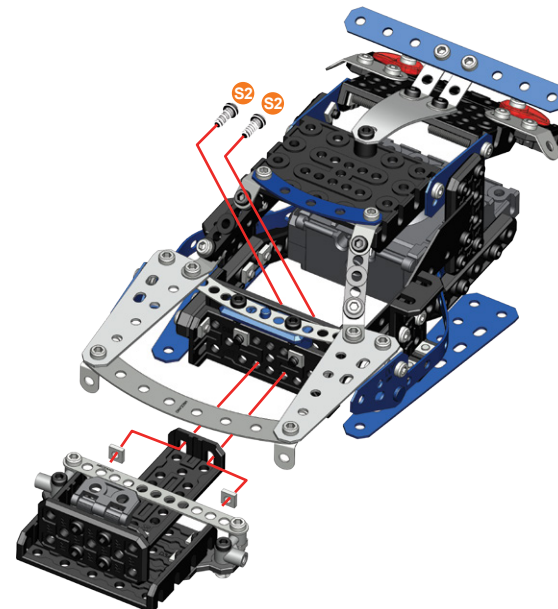
- 1:1





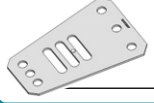
31

(23)+(30)+

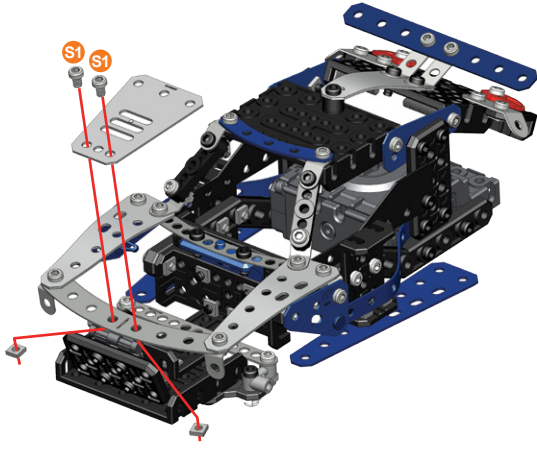
- 9.5 mm | 3/8" | x2
- x2
- 1:1






32

-  5.8 mm | 15/64" | **x2**
-  **x2**
-  **x1**

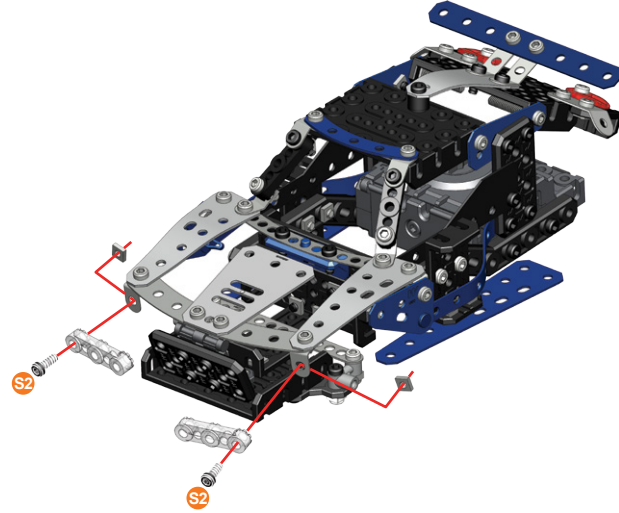
-  **1:1**






33

-  9.5 mm | 3/8" | **x2**
-  **x2**
-  **x2**

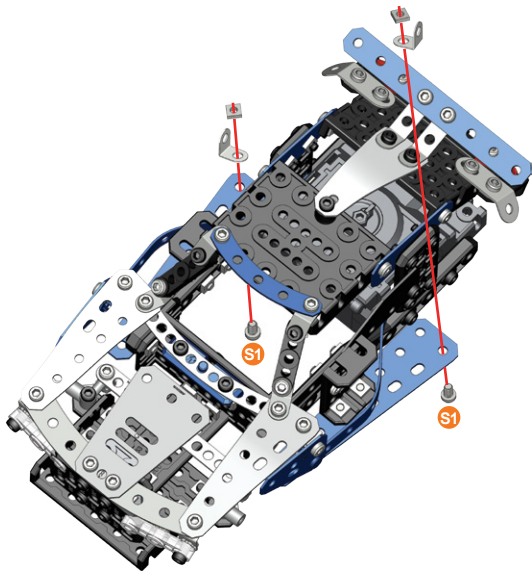
-  **1:1**




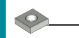


34

-  5.8 mm | 15/64" | **x2**
-  **x2**
-  **x2**

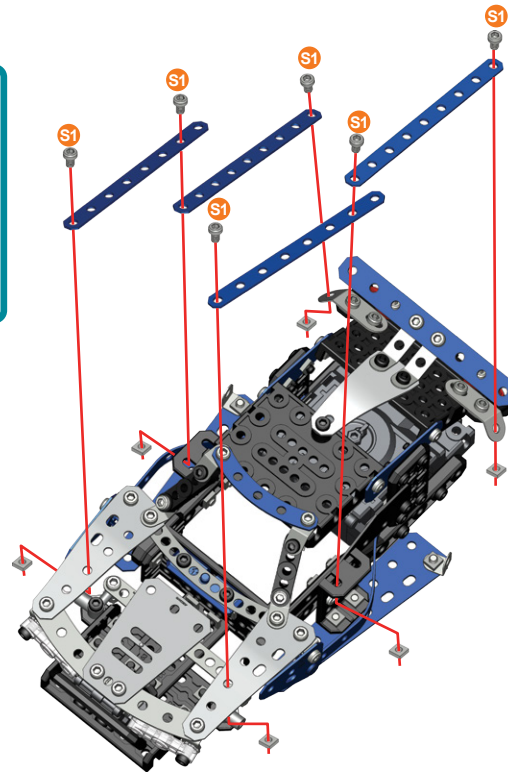
-  **1:1**



35

-  5.8 mm | 15/64" | **x6**
-  **x6**
-  **x2**
-  **x2**

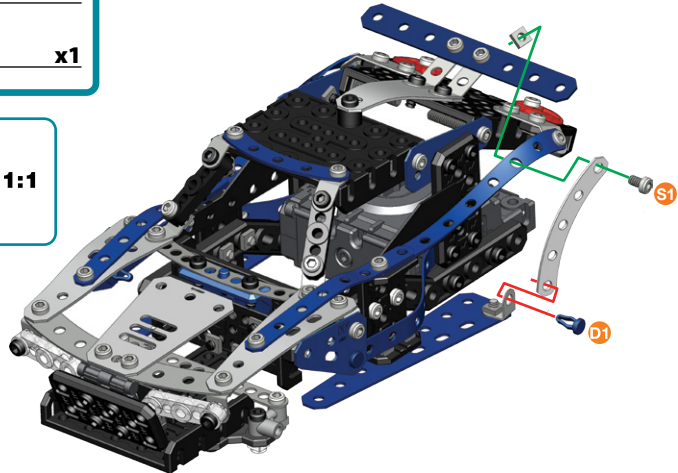
-  **1:1**



36

	D1	11.25mm 7/16"	x1
	S1	5.8 mm 15/64"	x1
			x1
			x1

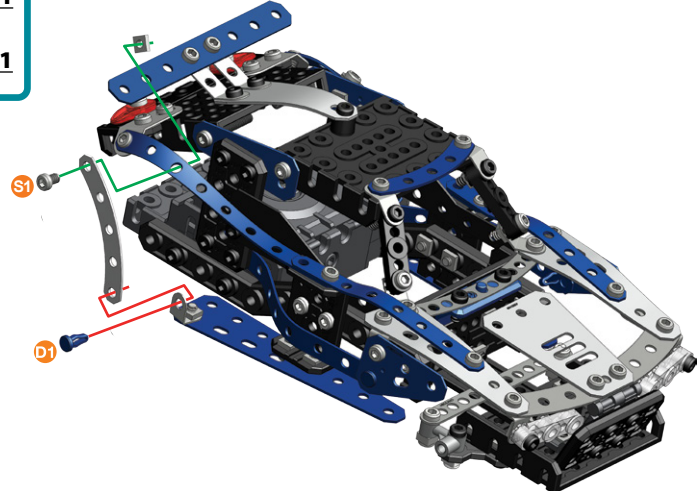
	S1	1:1
	D1	



37

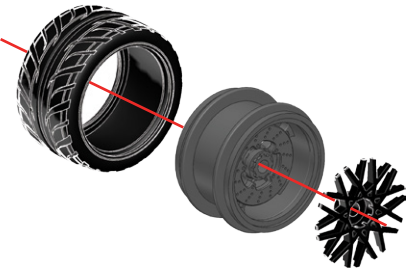
	D1	11.25mm 7/16"	x1
	S1	5.8 mm 15/64"	x1
			x1
			x1

	S1	1:1
	D1	



38

		x4
		x4
		x4



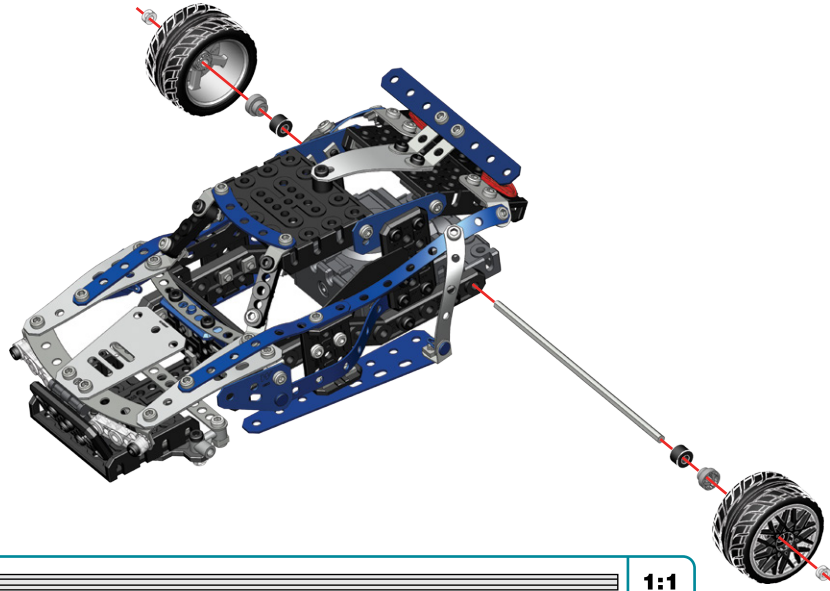
39

37+38+

		130mm 5 1/8 in"	x1
			x2
			x2
			x2





	A238	1:1
--	------	-----



		1:1
--	--	-----

40 (38)+(39)+

	23 mm 1 5/16"	x2
		x4

	1:1
---	------------

