



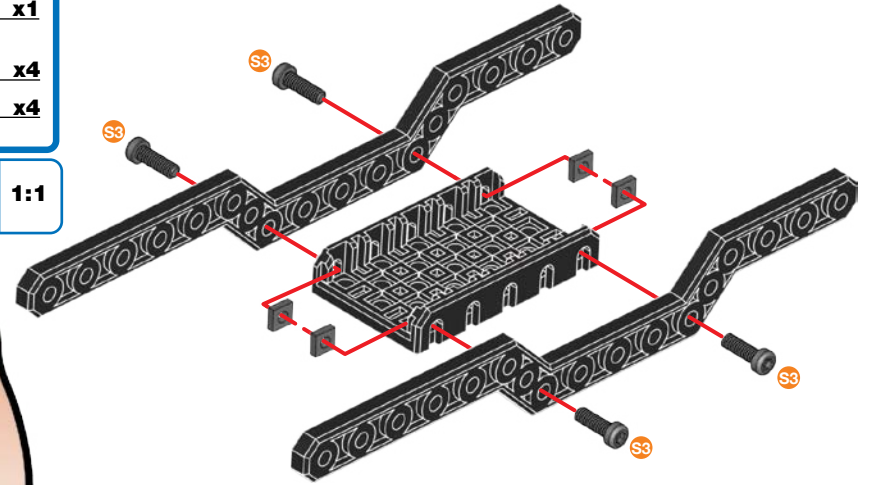
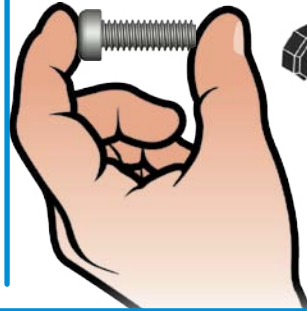







1

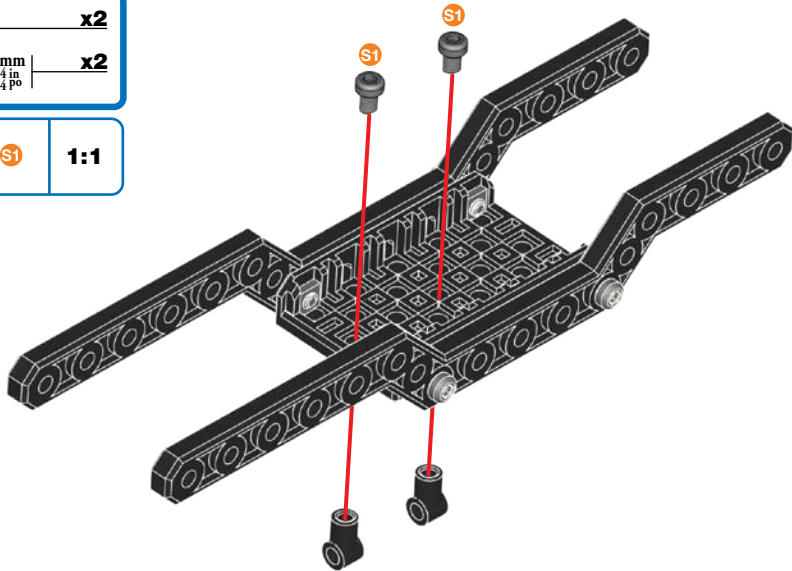
-  **x2**
-  **x1**
-  **12 mm** **x4**
1/2 in
1/2 po
-  **x4**

-  **S3** **1:1**







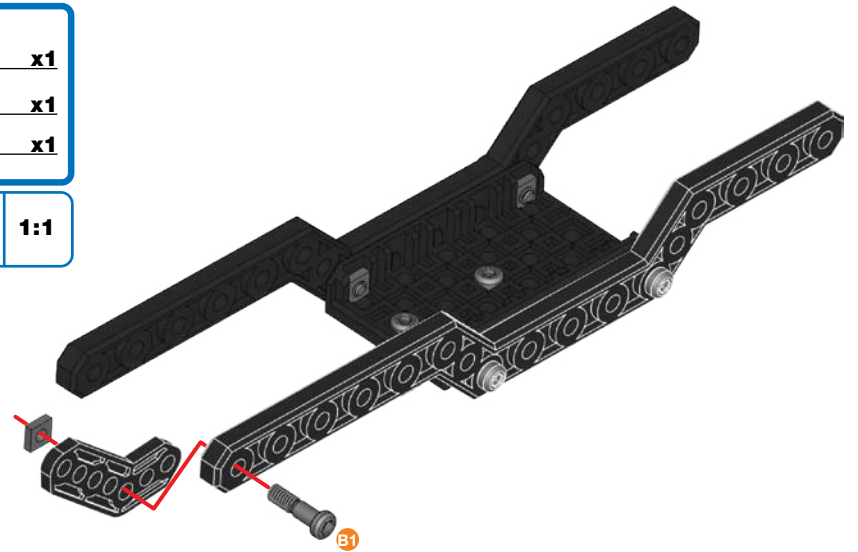
2

-  **x2**
-  **5.8 mm** **x2**
15/64 in
15/64 po
-  **S1** **1:1**






3

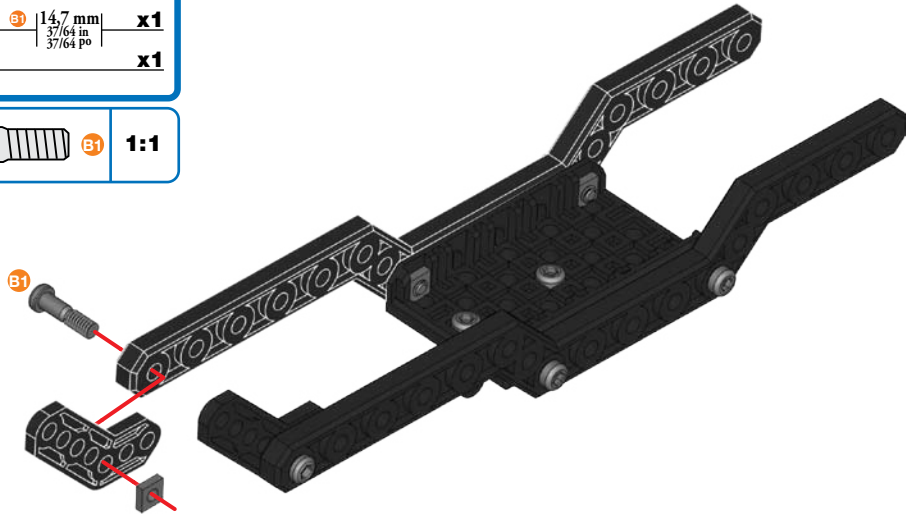
-  **x1**
-  **14.7 mm** **x1**
37/64 in
37/64 po
-  **x1**
-  **B1** **1:1**






4

-  **x1**
-  **x1** | 14,7 mm | 37/64 in | 37/64 po
-  **x1**

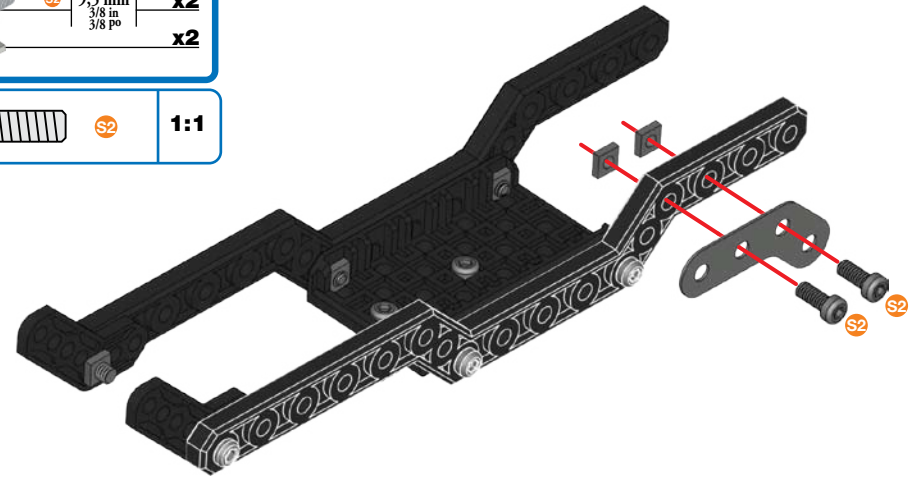
-  **x1** | 1:1






5

-  **x1**
-  **x2** | 9,5 mm | 3/8 in | 3/8 po
-  **x2**

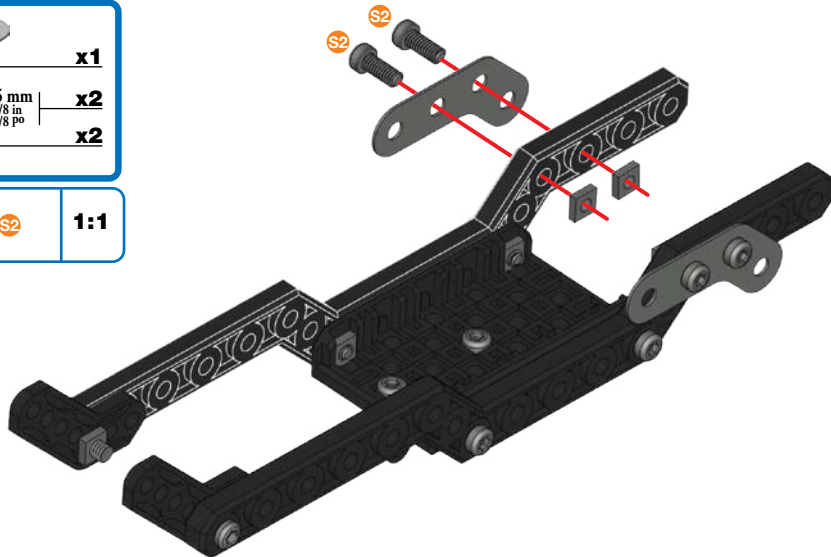
-  **x1** | 1:1



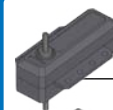




6

-  **x1**
-  **x2** | 9,5 mm | 3/8 in | 3/8 po
-  **x2**

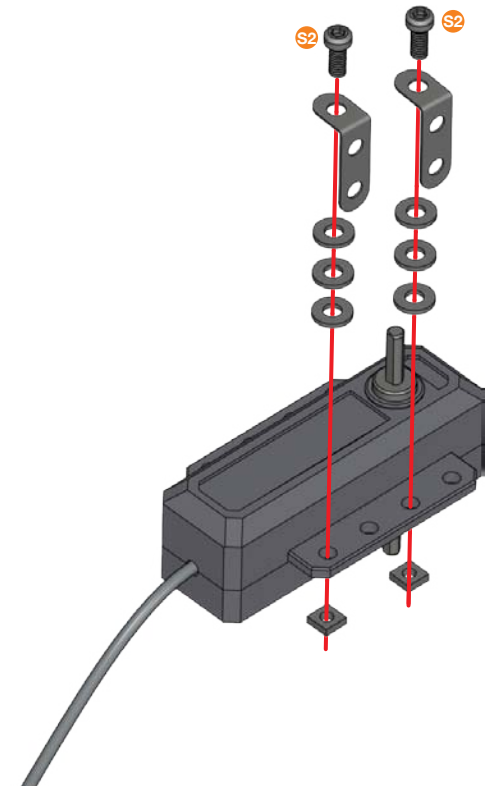
-  **x1** | 1:1

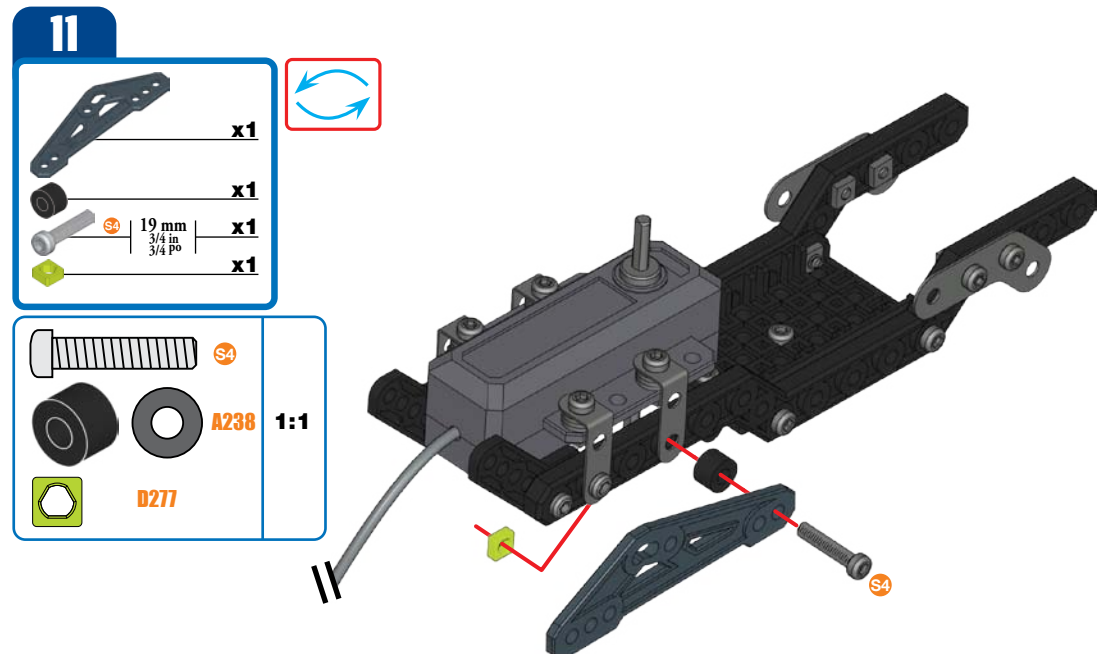
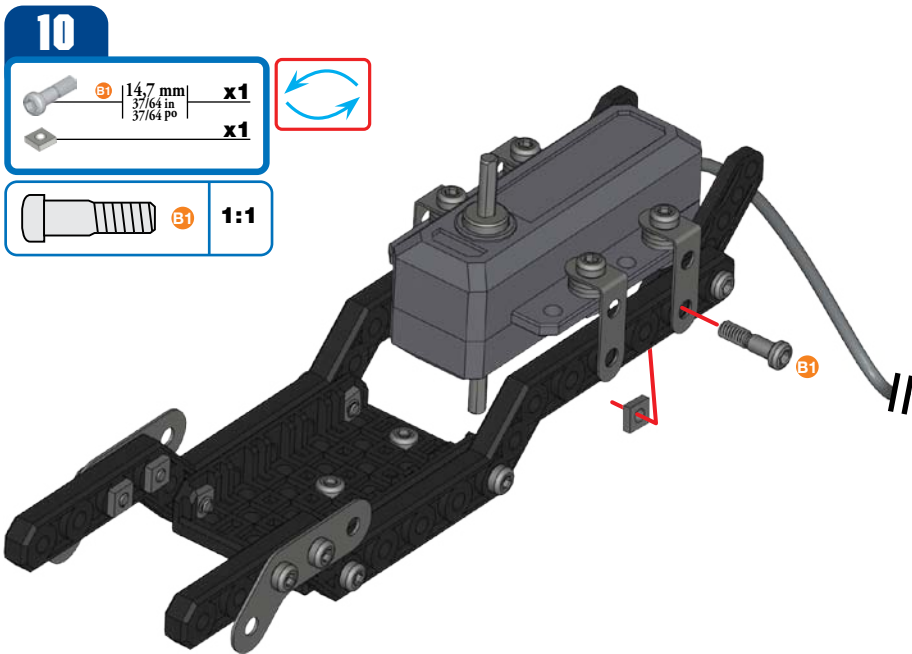
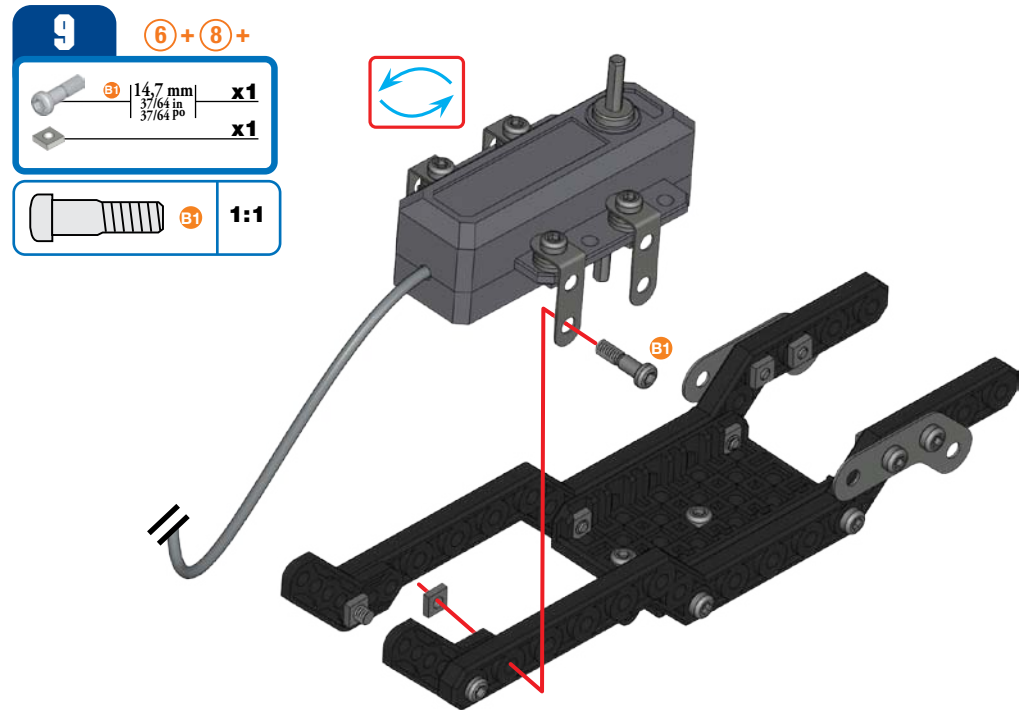
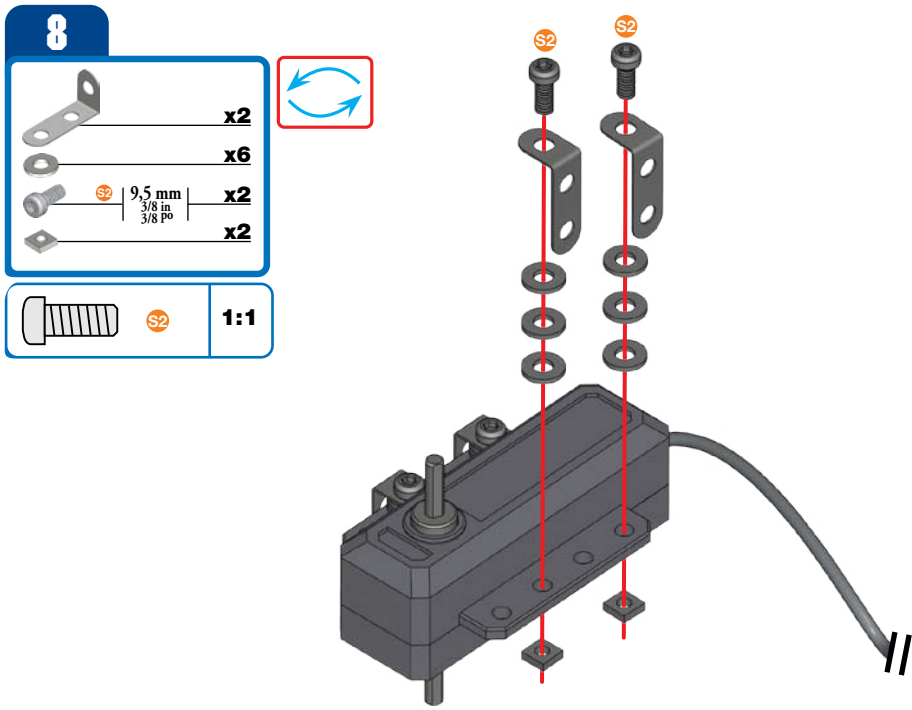


7





-  **x1**
-  **x2**
-  **x6**
-  **x2** | 9,5 mm | 3/8 in | 3/8 po
-  **x2**





-  **x1** | 1:1

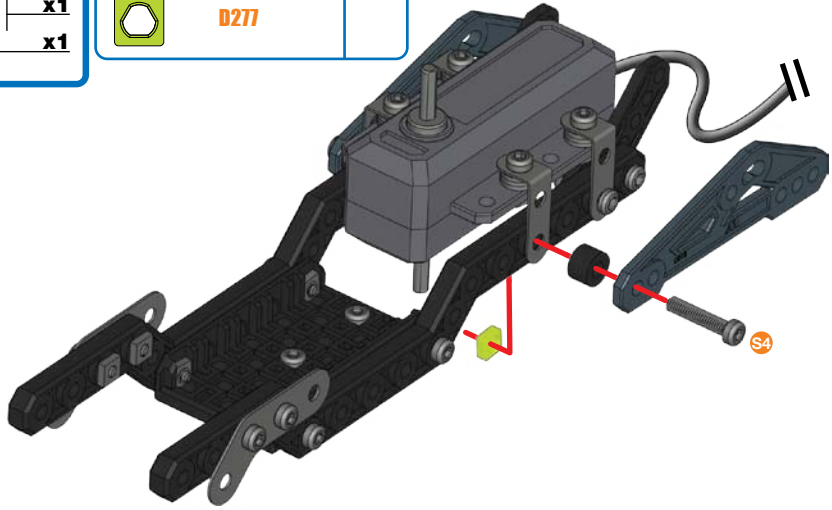







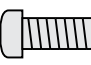
12

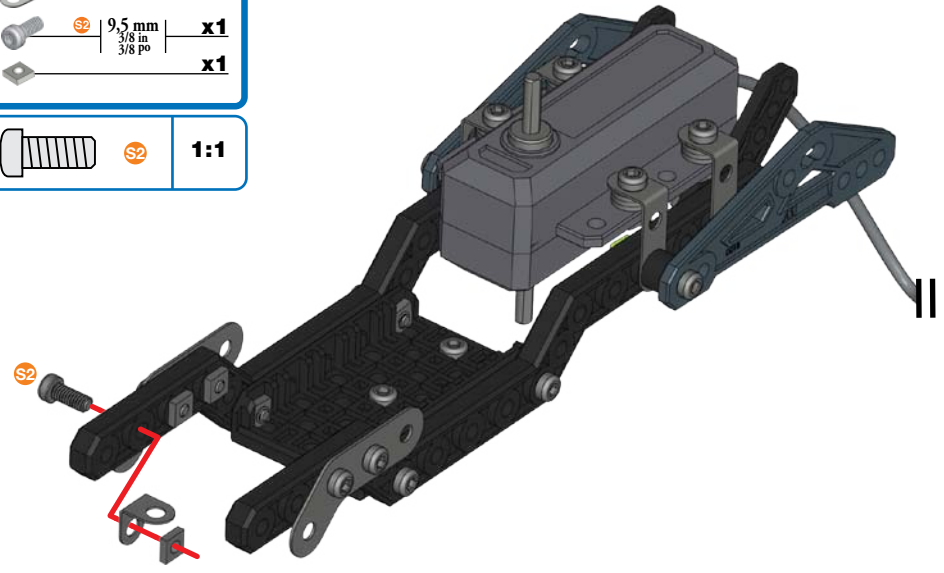
-  x1
-  x1
-  19 mm $\frac{3}{4}$ in $\frac{3}{4}$ Po x1
-  x1

-  S4 x1
-  A238
-  1:1
-  D277



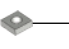



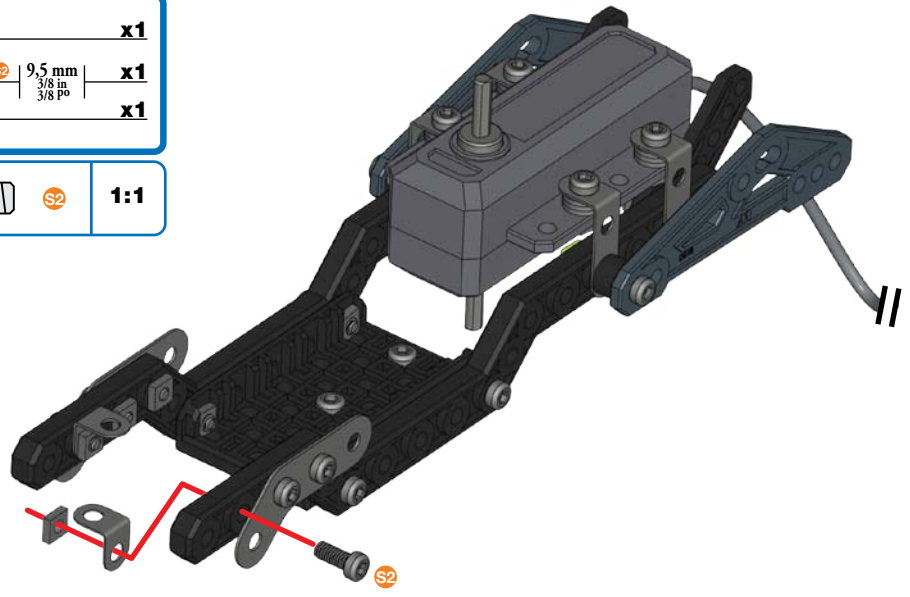
13

-  x1
-  9,5 mm $\frac{3}{8}$ in $\frac{3}{8}$ Po x1
-  x1
-  S2 1:1



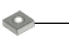



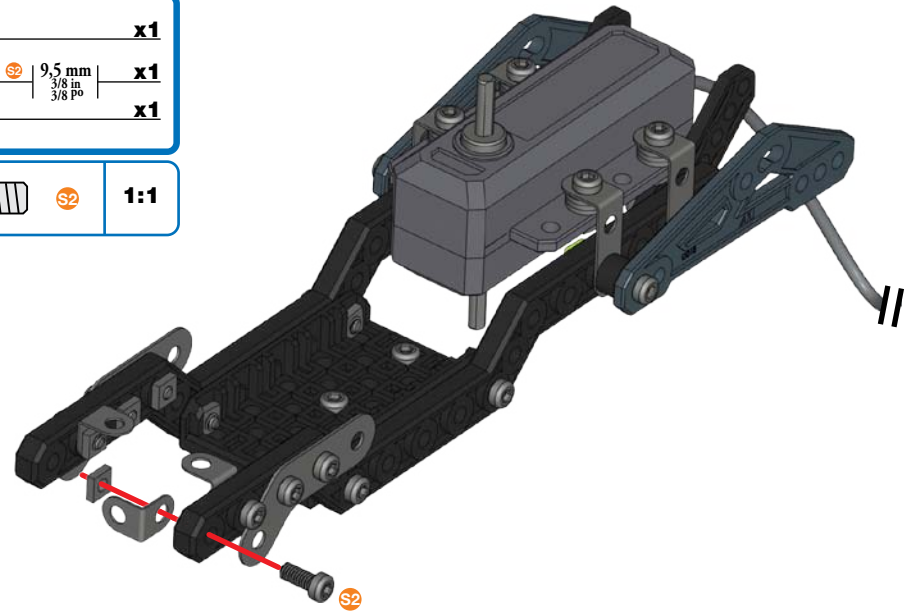
14

-  x1
-  9,5 mm $\frac{3}{8}$ in $\frac{3}{8}$ Po x1
-  x1
-  S2 1:1






15

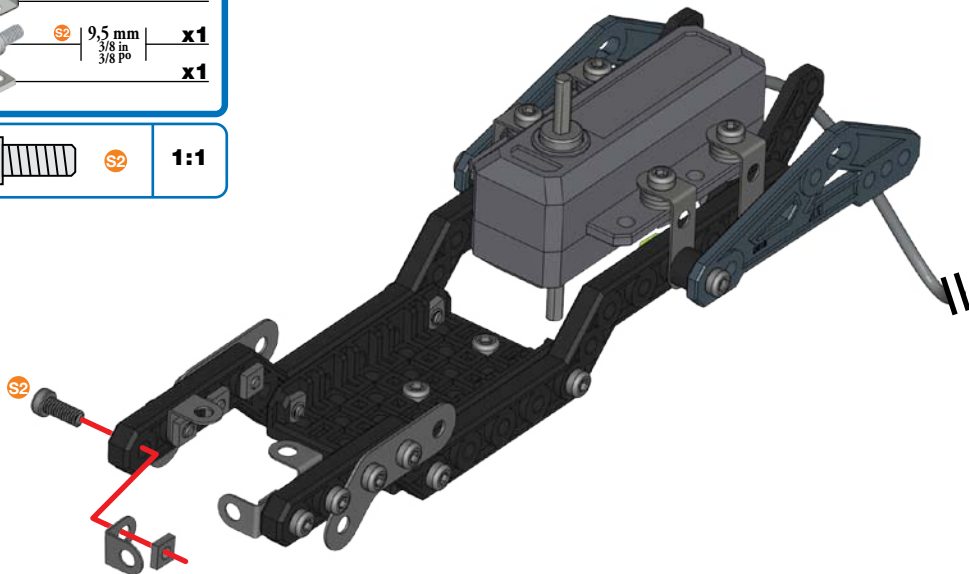
-  x1
-  9,5 mm $\frac{3}{8}$ in $\frac{3}{8}$ Po x1
-  x1
-  S2 1:1






16

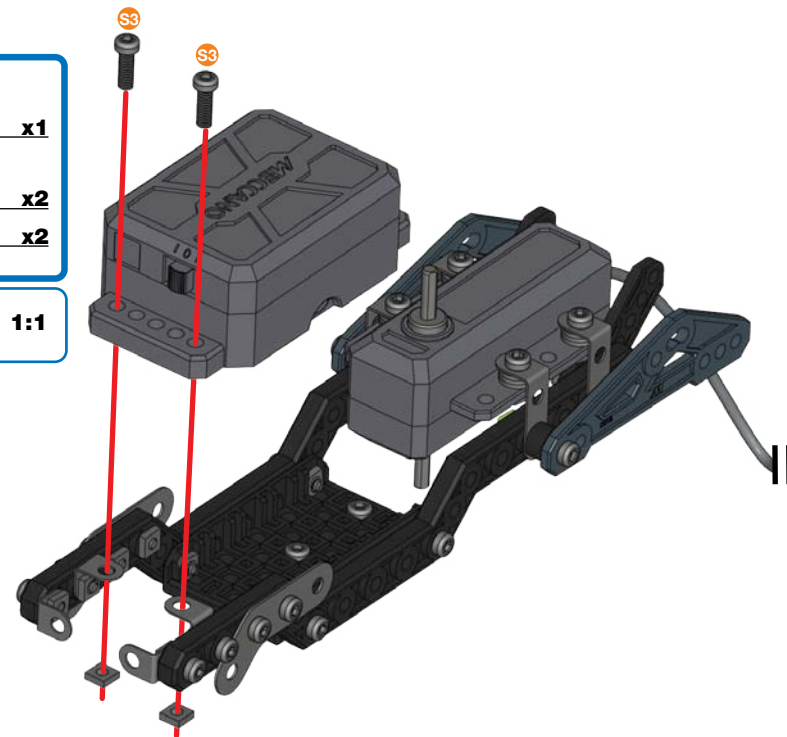
-  **x1**
-  | 9,5 mm | **x1**
3/8 in
-  **x1**

-  **S2** **1:1**

**17**

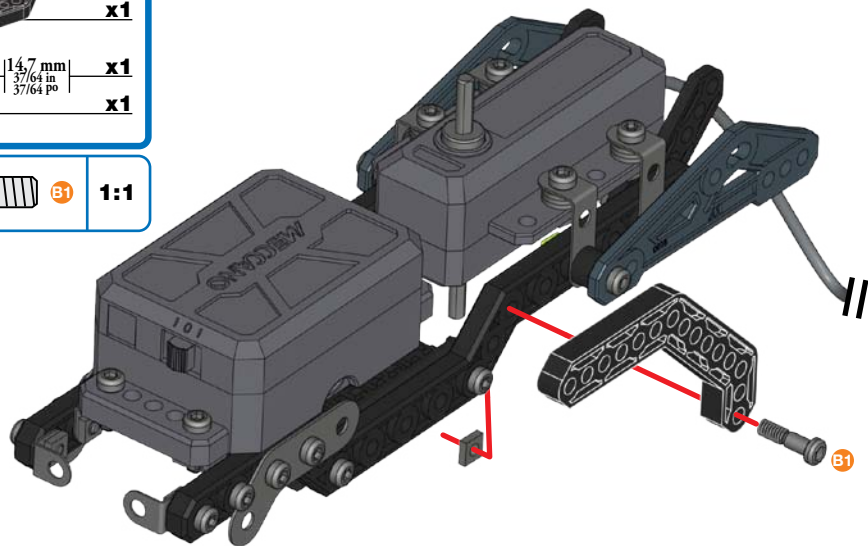
-  **x1**
-  | 12 mm | **x2**
1/2 in
-  **x2**

-  **S3** **1:1**

**18**

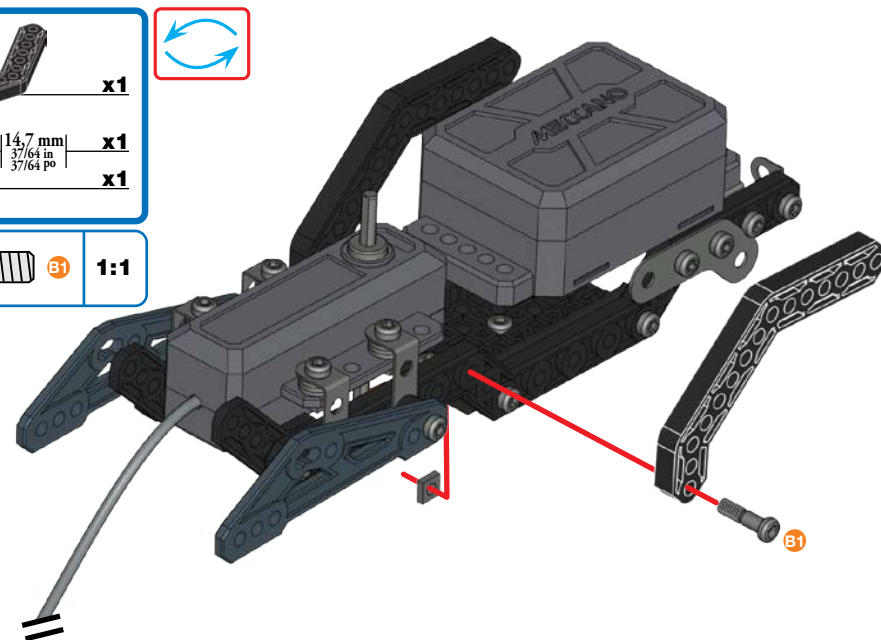
-  **x1**
-  | 14,7 mm | **x1**
37/64 in
-  **x1**

-  **B1** **1:1**



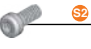

**19**

-  **x1**
-  | 14,7 mm | **x1**
37/64 in
-  **x1**

-  **B1** **1:1**

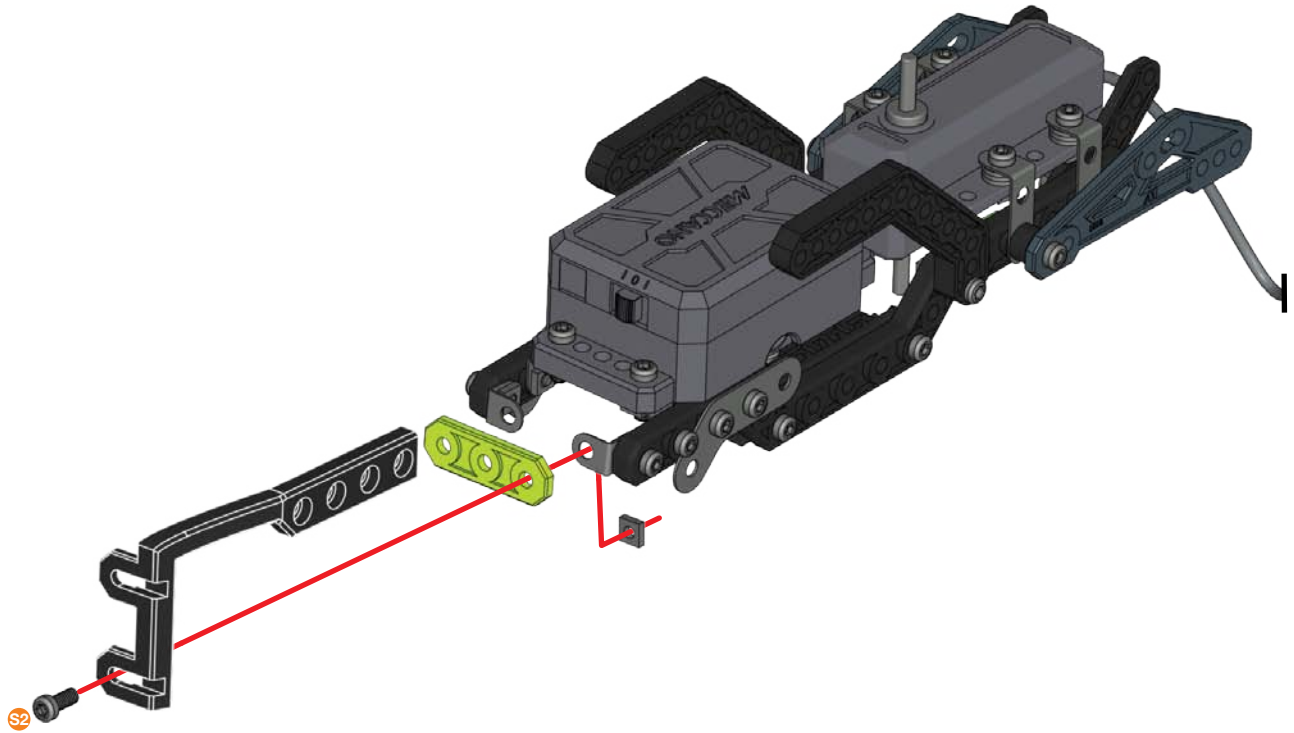


20




-  x1
-  x1
-  9,5 mm | 3/8 in | 3/8 po x1
-  x1



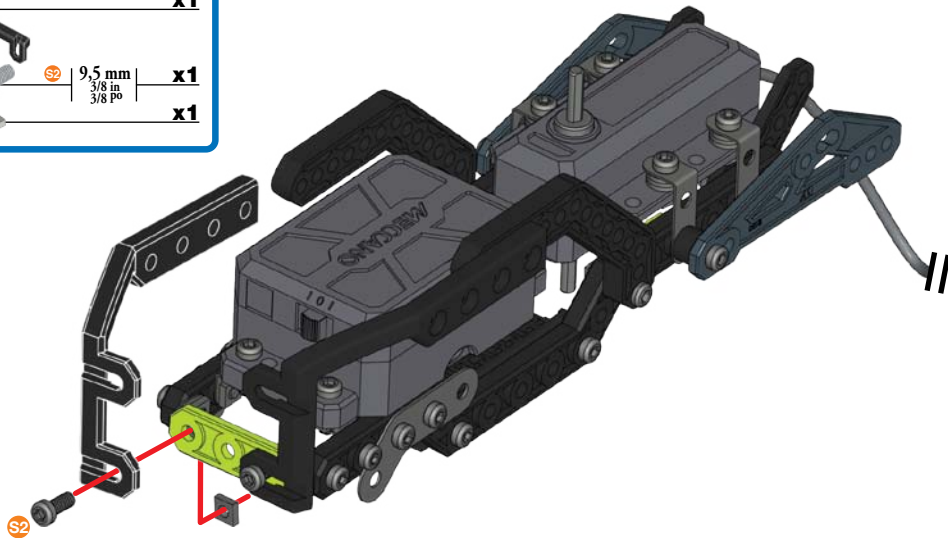
-  S2 1:1




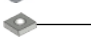
21

-  x1
-  9,5 mm | 3/8 in | 3/8 po x1
-  x1

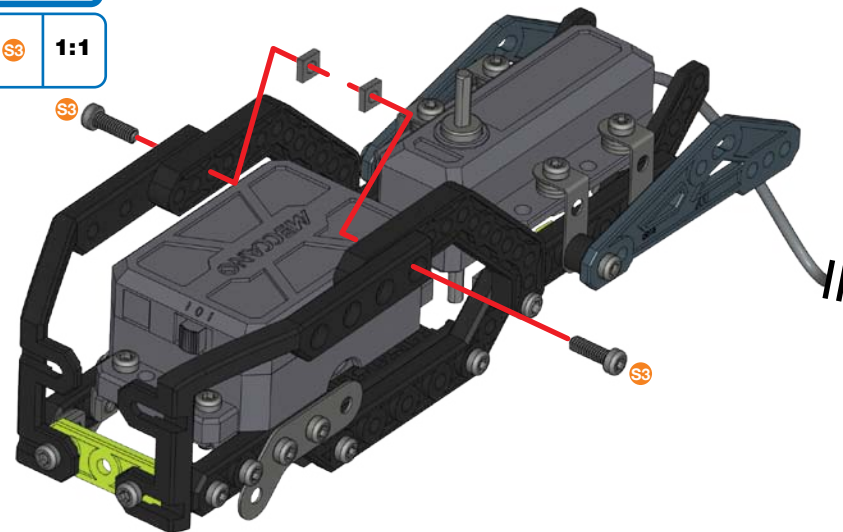
-  S2 1:1



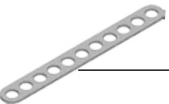



22

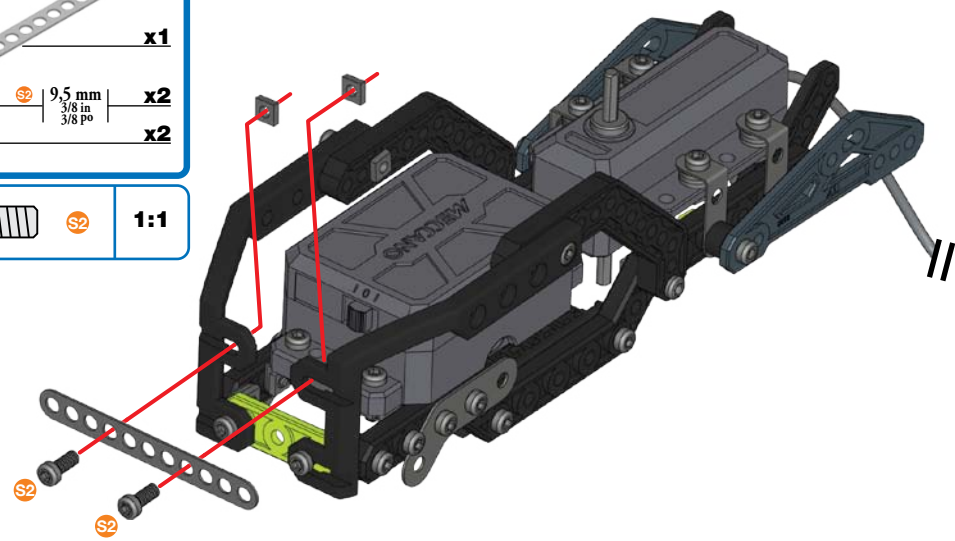
-  S3 12 mm | 1/2 in | 1/2 po x2
-  x2

-  S3 1:1





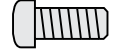


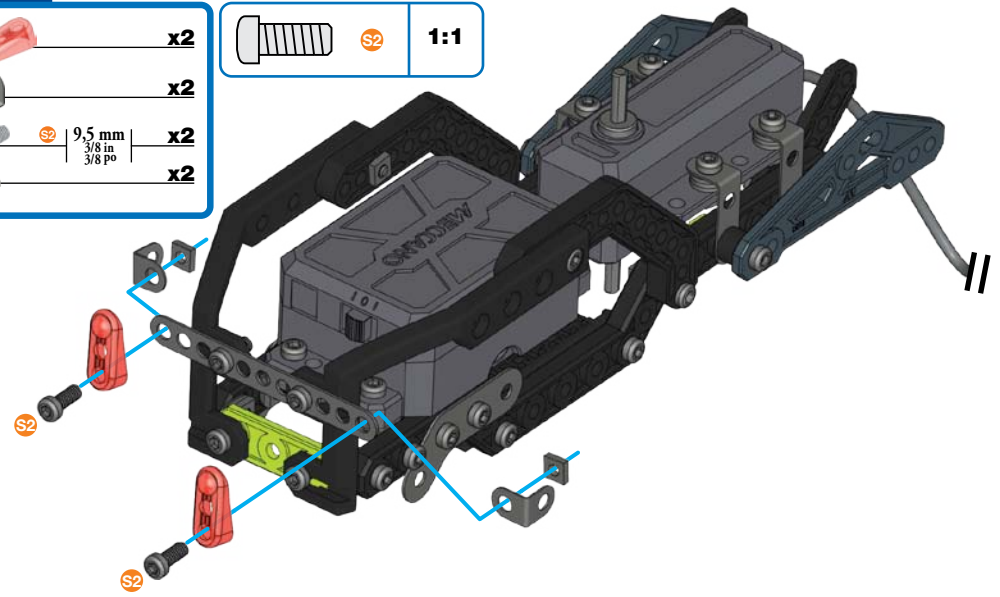
23

-  **x1**
-  **x2** | 9,5 mm | 3/8 in | 3/8 po
-  **x2**
-  **1:1**











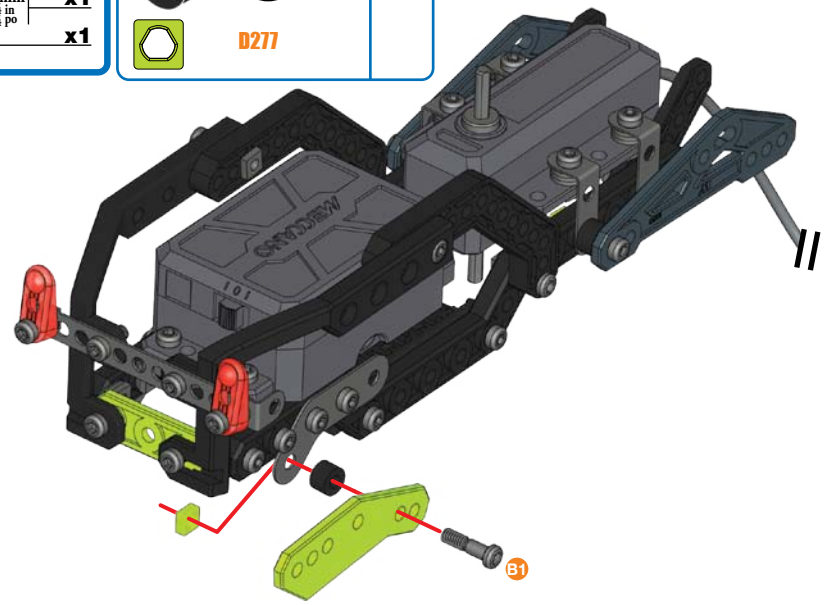
24

-  **x2**
-  **x2**
-  **x2** | 9,5 mm | 3/8 in | 3/8 po
-  **x2**
-  **1:1**











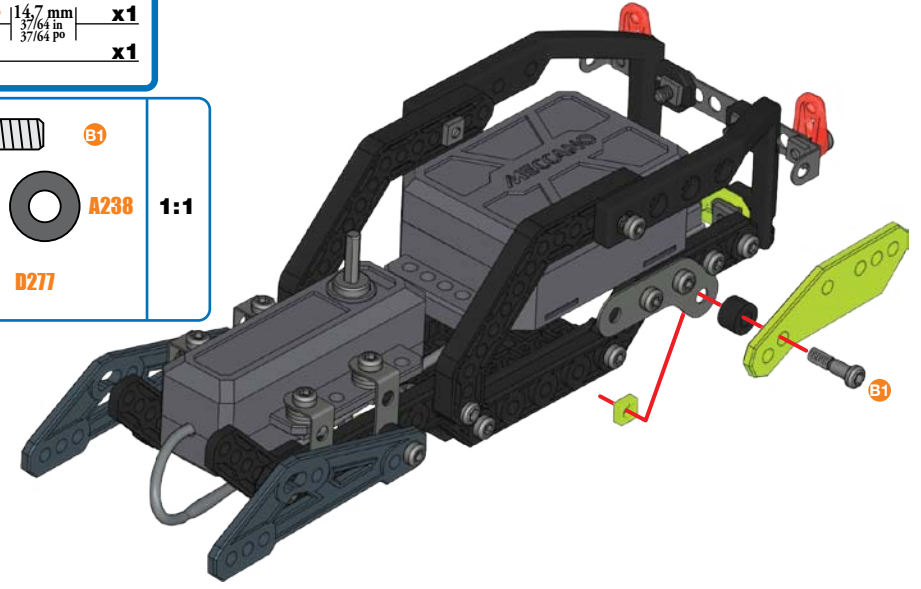
25

-  **x1**
-  **x1**
-  **x1** | 14,7 mm | 37/64 in | 37/64 po
-  **x1**
-  **1:1**
-  **A238**
-  **1:1**
-  **D277**






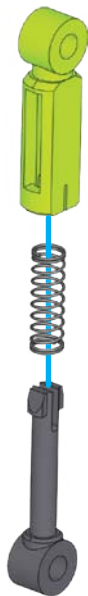
26

-  **x1**
-  **x1**
-  **x1** | 14,7 mm | 37/64 in | 37/64 po
-  **x1**
-  **1:1**
-  **A238**
-  **1:1**
-  **D277**



27

-  x4
-  x4
-  x4

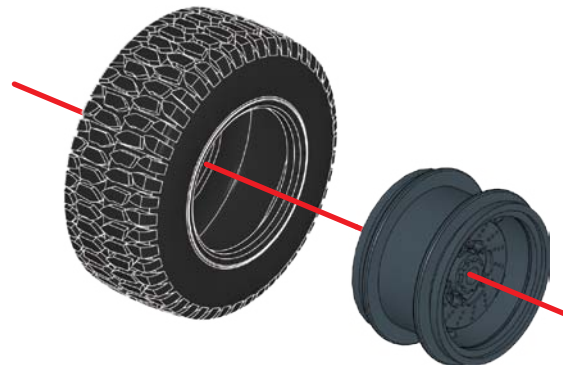


x4



28

-  x4
-  x4








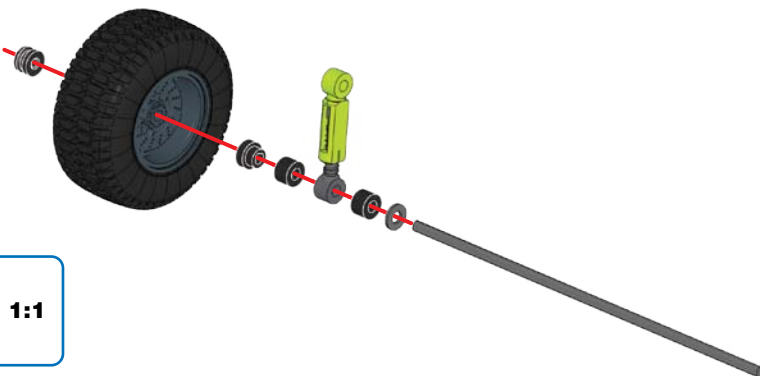
x4



29



(27) + (28) +

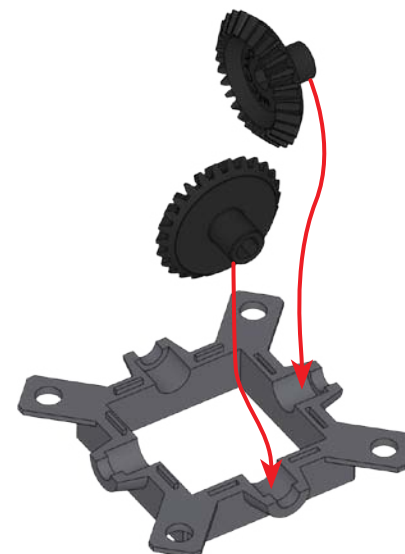
-  165 mm | x1
6 1/2 in
6 1/2 po
-  x1
-  x1
-  x2
-  x1



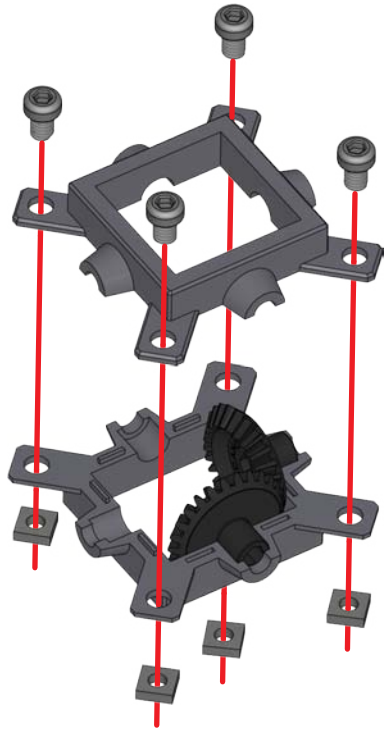
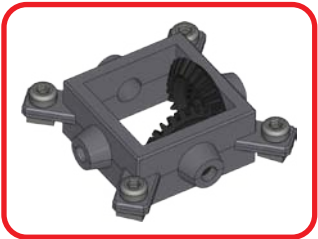
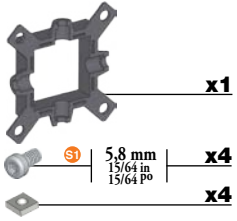
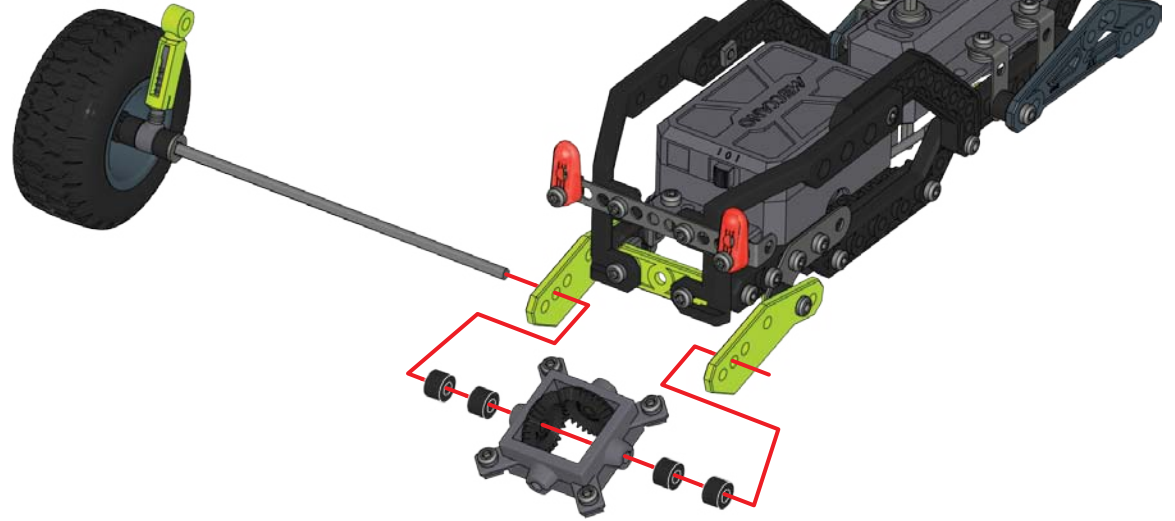
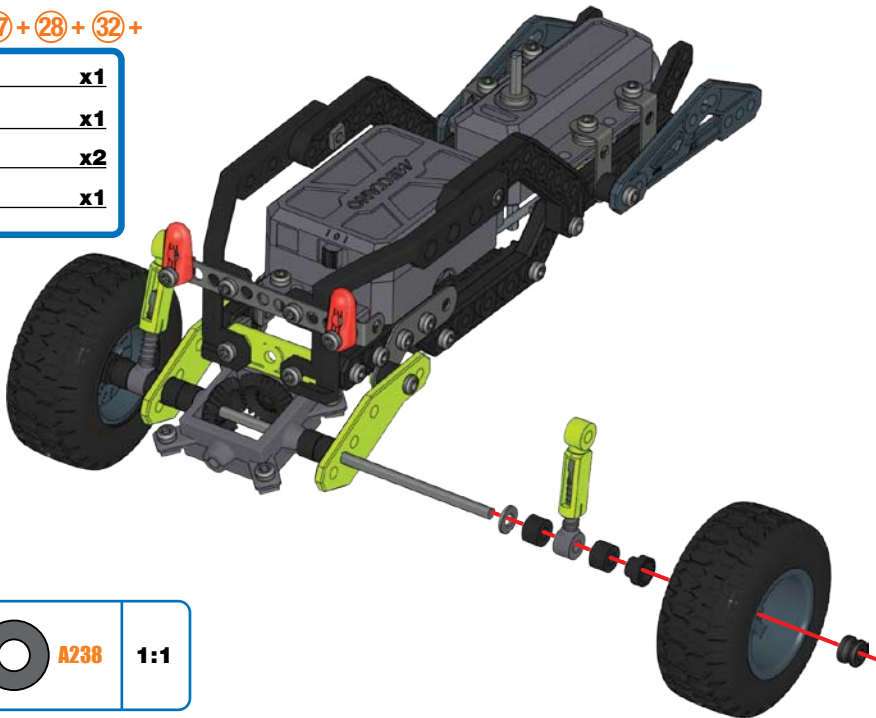
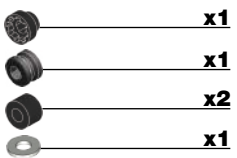
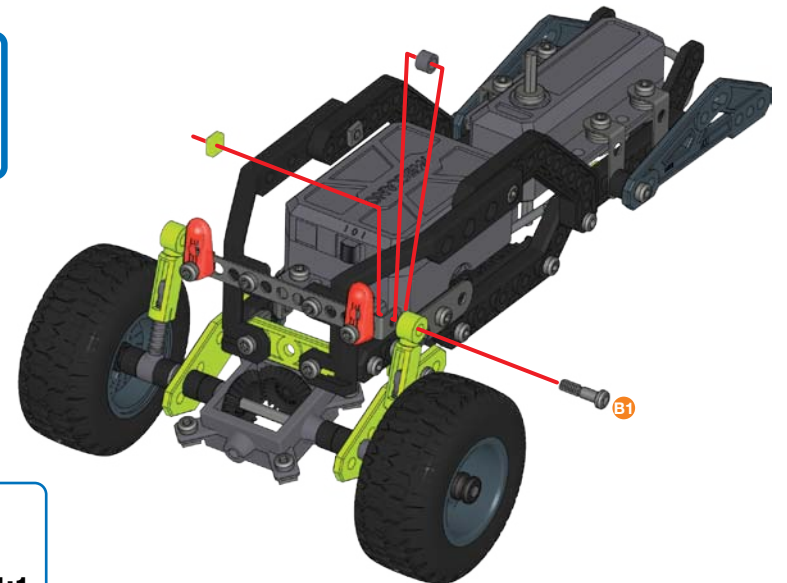
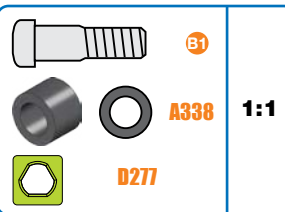
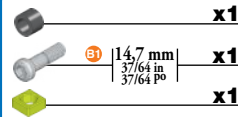
-   A238 1:1

30

-  x1
-  x2



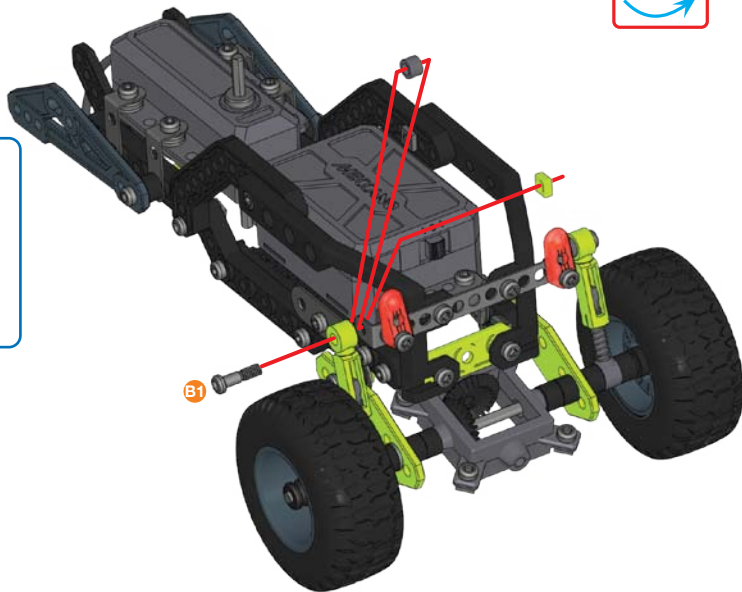
1:1

31**32****(26) + (29) + (31) +****33****(27) + (28) + (32) +****34**

35

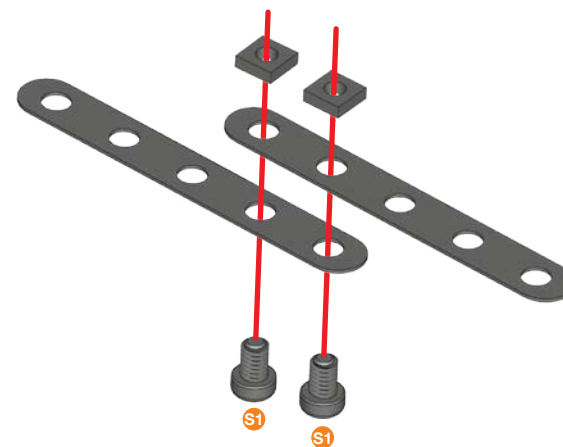
- x1**
- x1** | 14,7 mm | 37/64 in | 37/64 po
- x1**

- B1**
- A338**
- 1:1**
- D277**

**36**

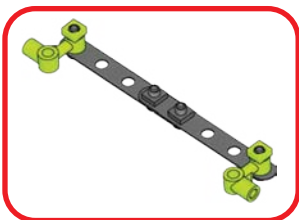
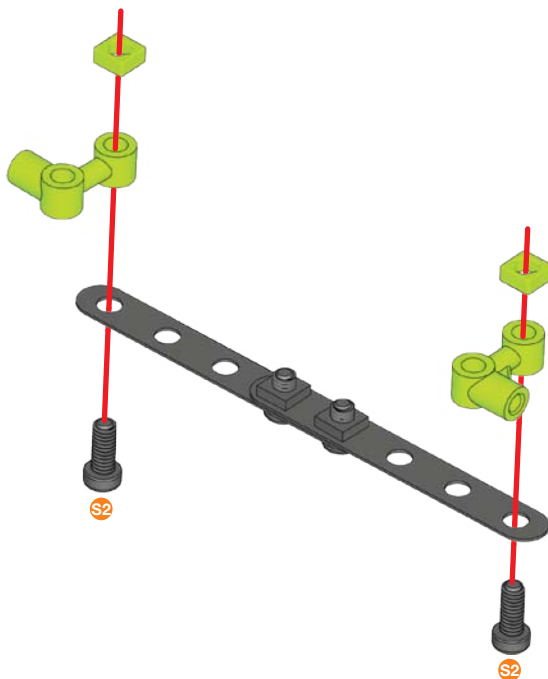
- x2**
- x2** | 5,8 mm | 15/64 in | 15/64 po
- x2**

- S1**
- 1:1**

**37**

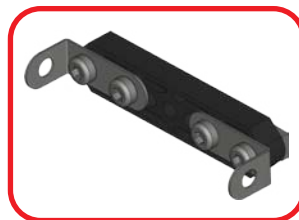
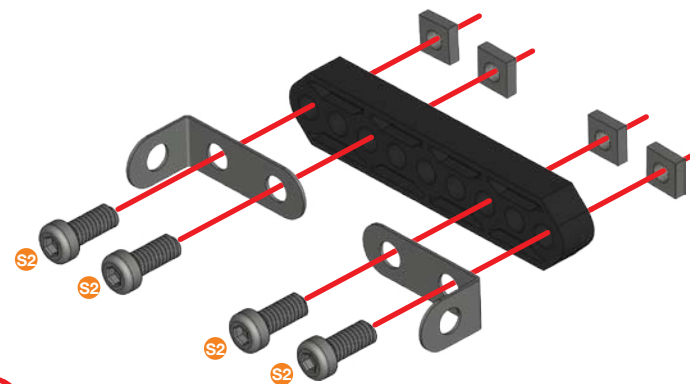
- x2**
- x2** | 9,5 mm | 3/8 in | 3/8 po
- x2**

- S2**
- D277**
- 1:1**

**38**

- x1**
- x2**
- x4** | 9,5 mm | 3/8 in | 3/8 po
- x4**

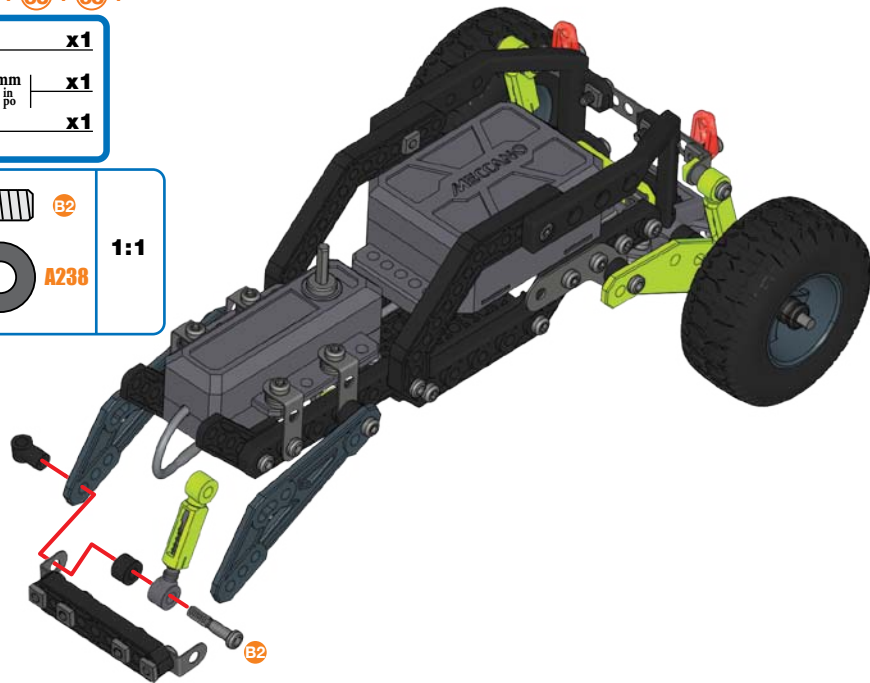
- S2**
- 1:1**



39**(27) + (35) + (38) +**

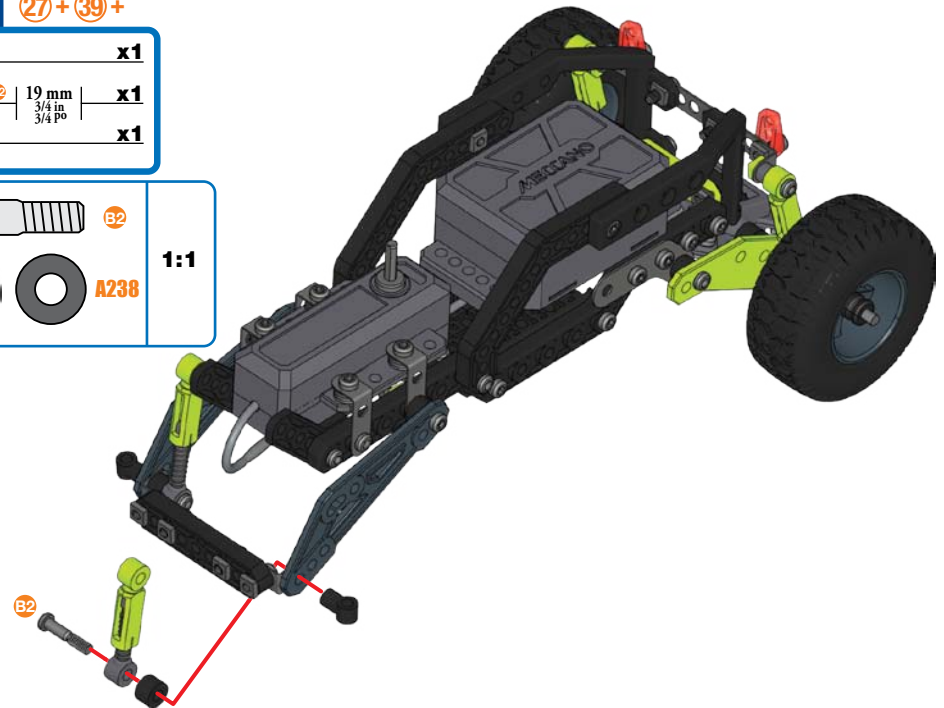
- x1**
- x1** 19 mm | 3/4 in | 3/4 po
- x1**

- 1:1**
- A238**

**40****(27) + (39) +**

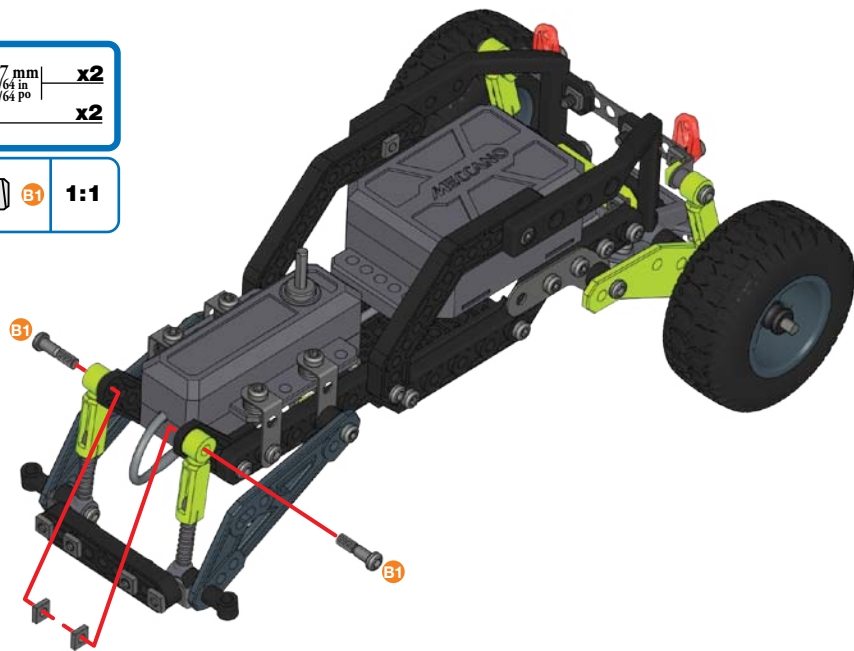
- x1**
- x1** 19 mm | 3/4 in | 3/4 po
- x1**

- 1:1**
- A238**

**41**

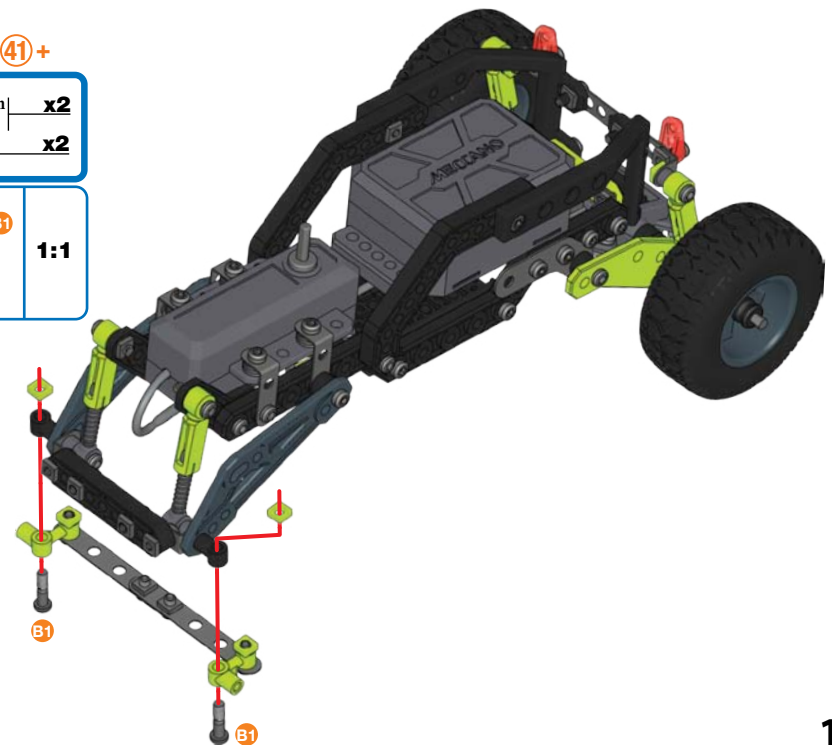
- x2** 14.7 mm | 37/64 in | 37/64 po
- x2**

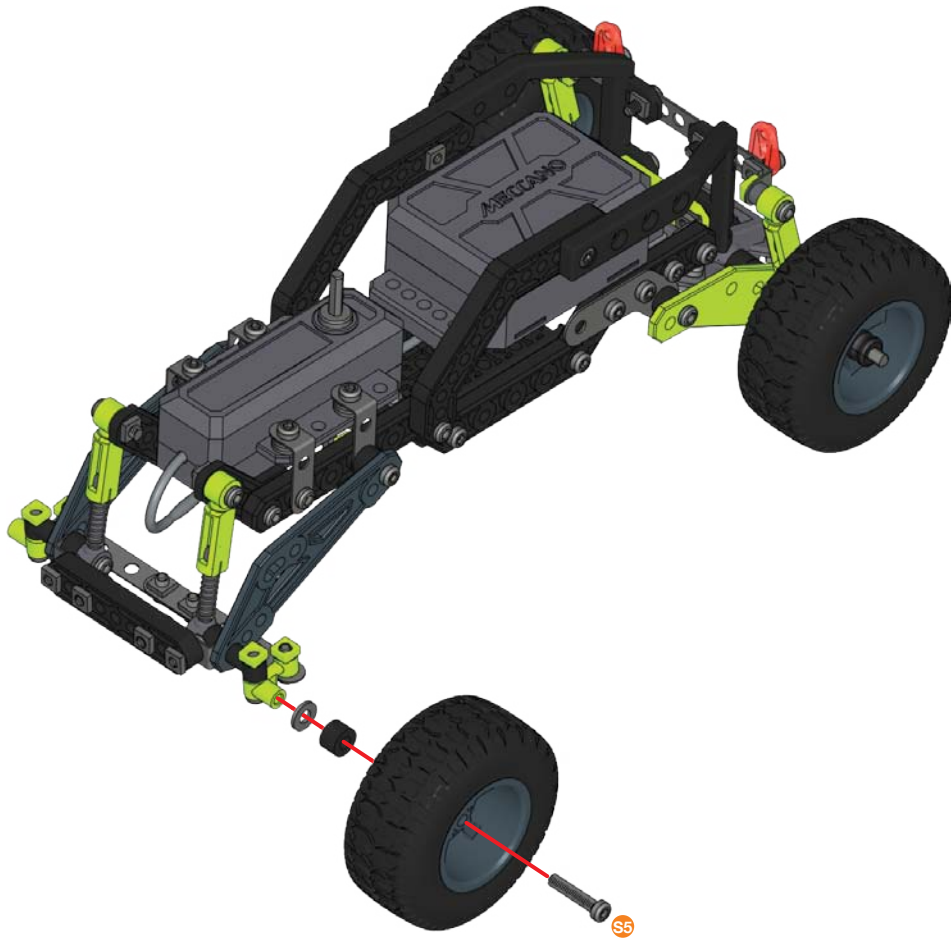
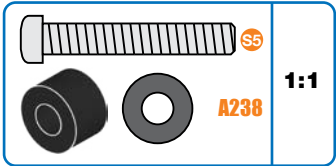
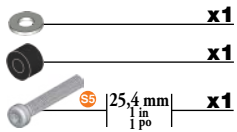
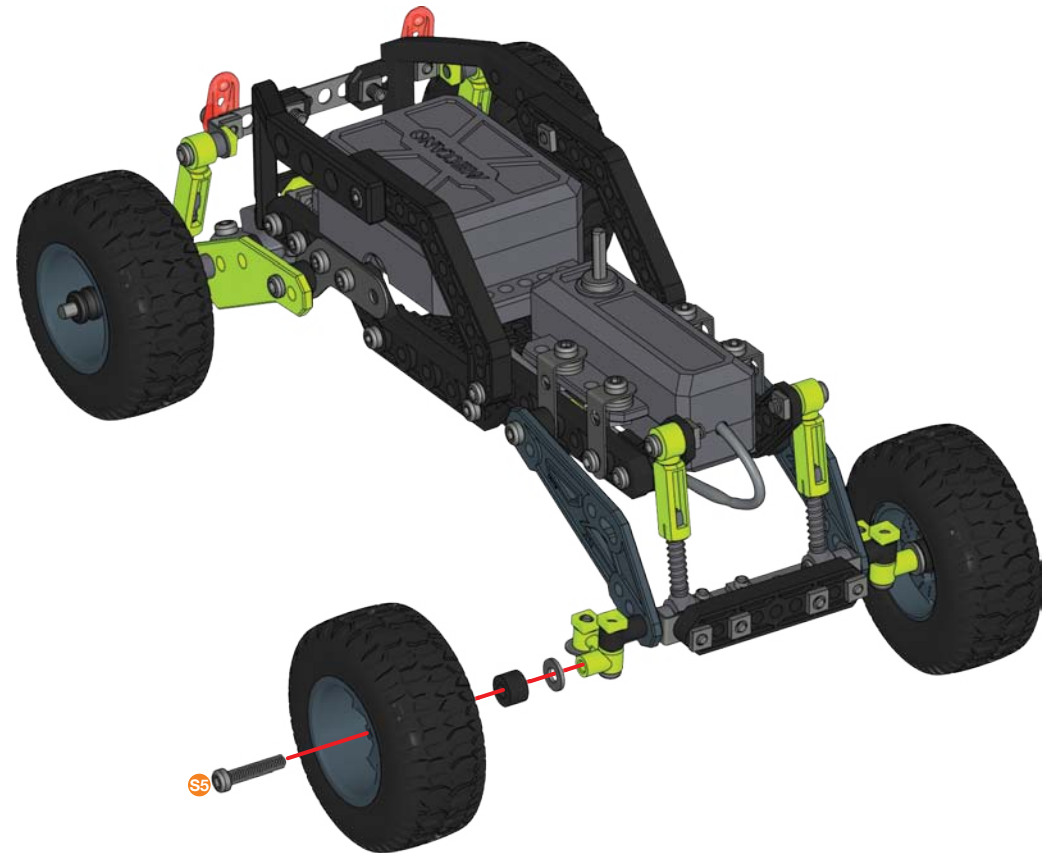
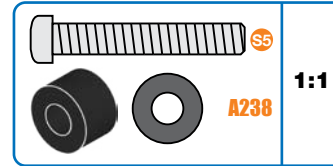
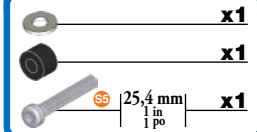
- 1:1**

**42****(37) + (41) +**


- x2** 14.7 mm | 37/64 in | 37/64 po
- x2**

- 1:1**
- D277**

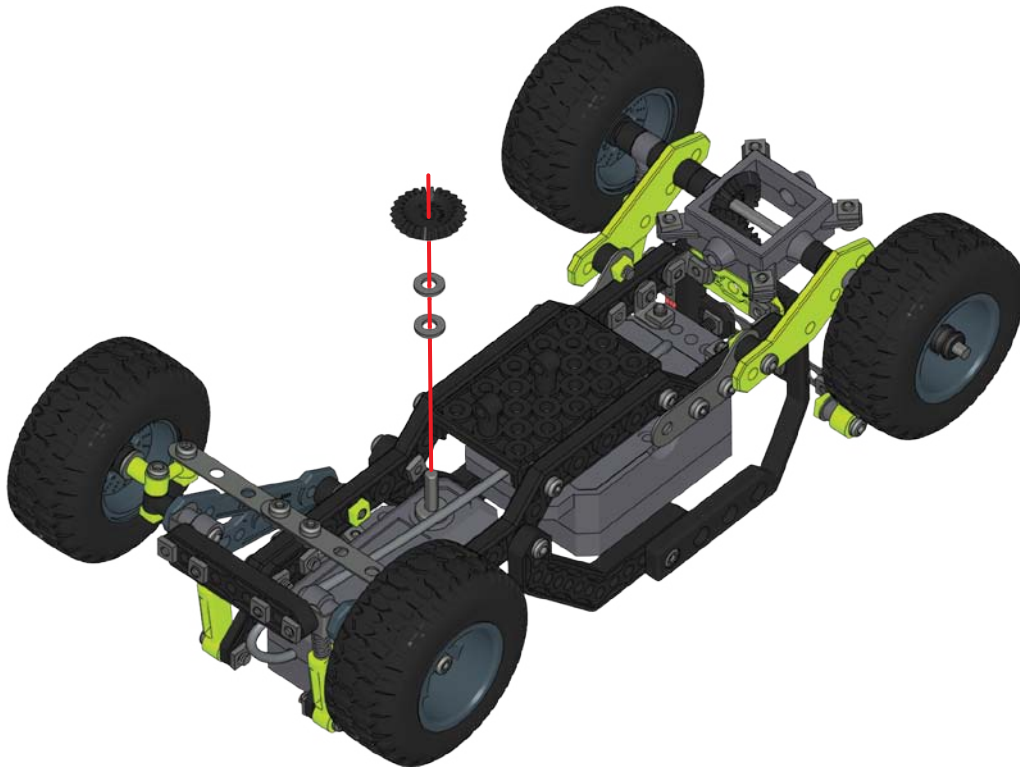


43**(28) + (42) +****44****(28) + (43) +**


45


 x1


 x2

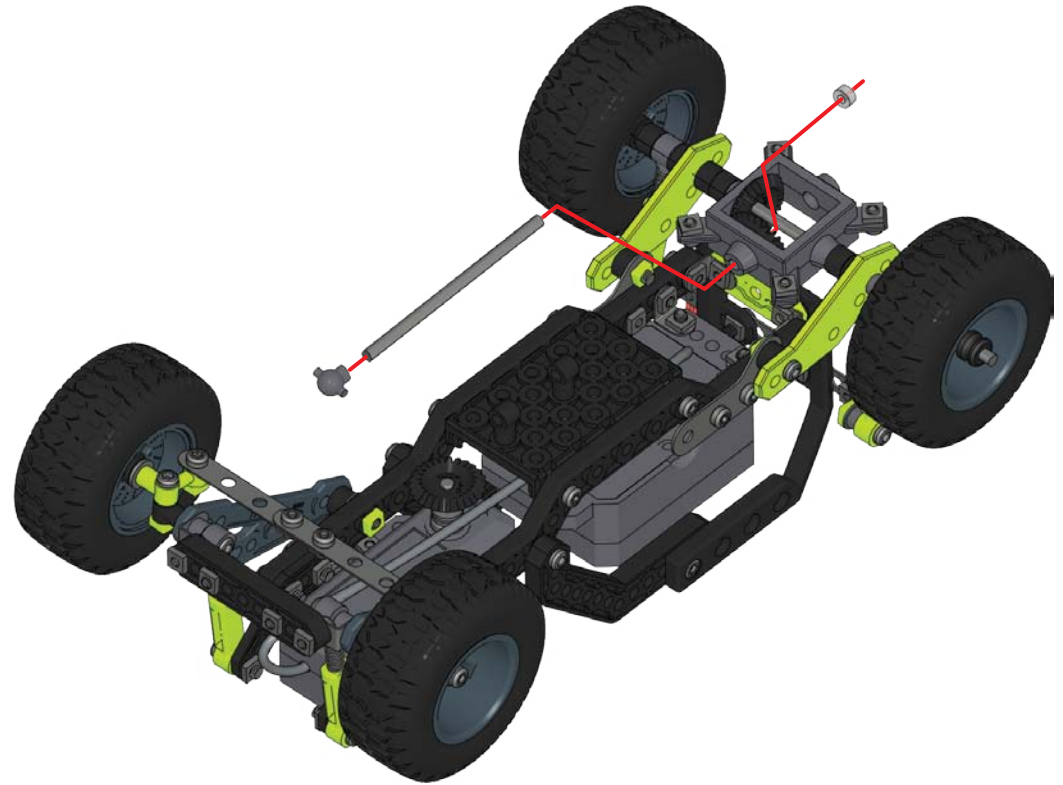


46

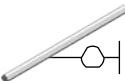



 60 mm | x1
2 3/8 in
2 3/8 po


 x1

 x1

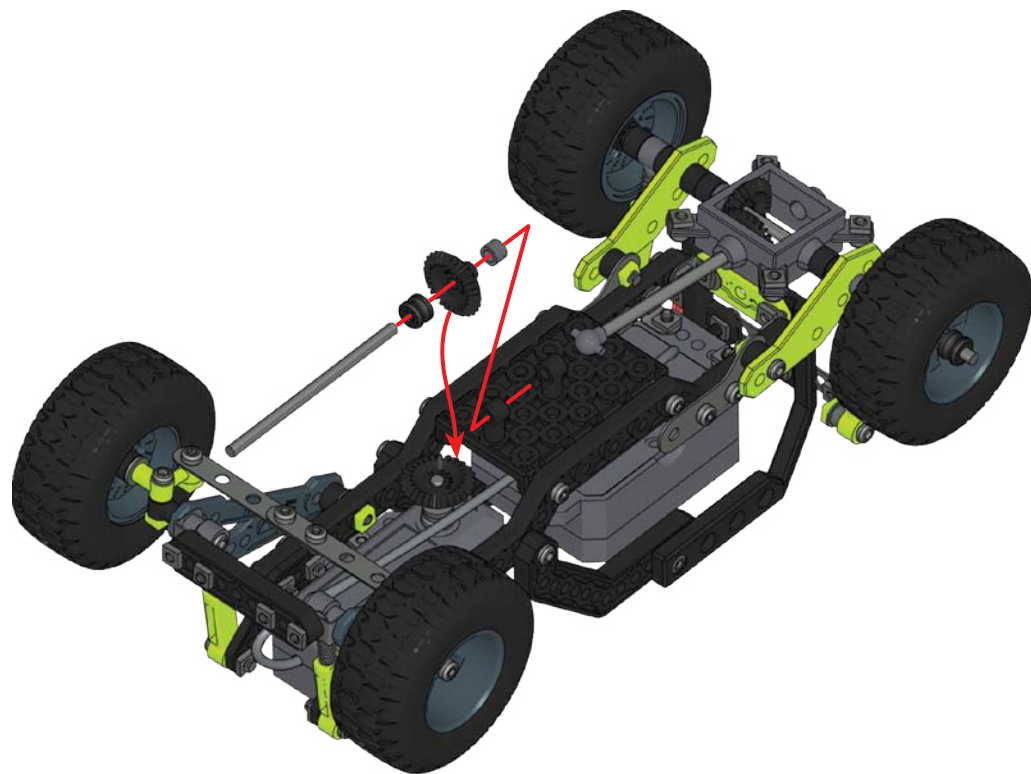


47



-  75 mm
2 15/16 in.
2 15/16 PS | **x1**
-  **x1**
-  **x1**
-  **x1**



A338 1:1



48

-  **x1**
-  **x1**

