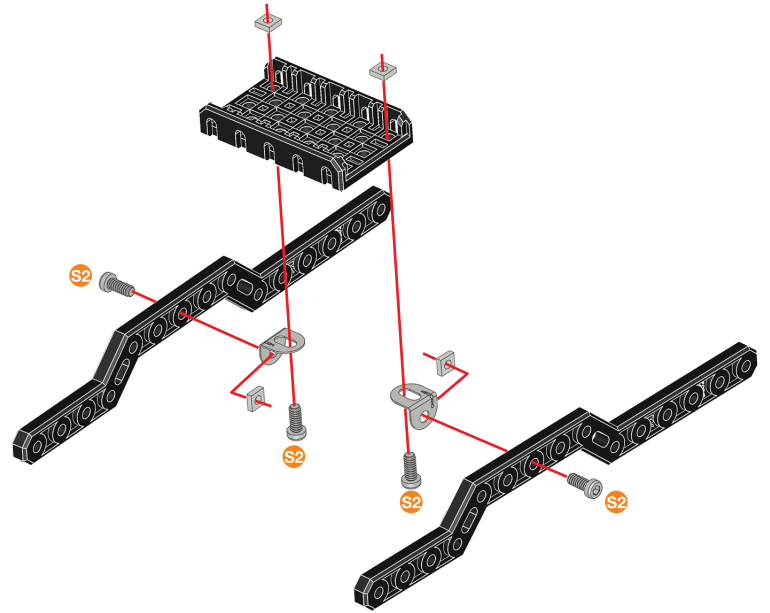
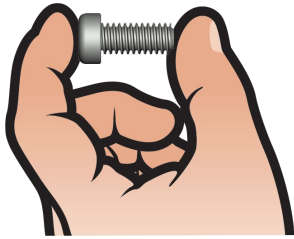




1

- 9.5 mm | x4
3/8 in | 3/8 po
- | x4
- | x1
- | x2
- | x2

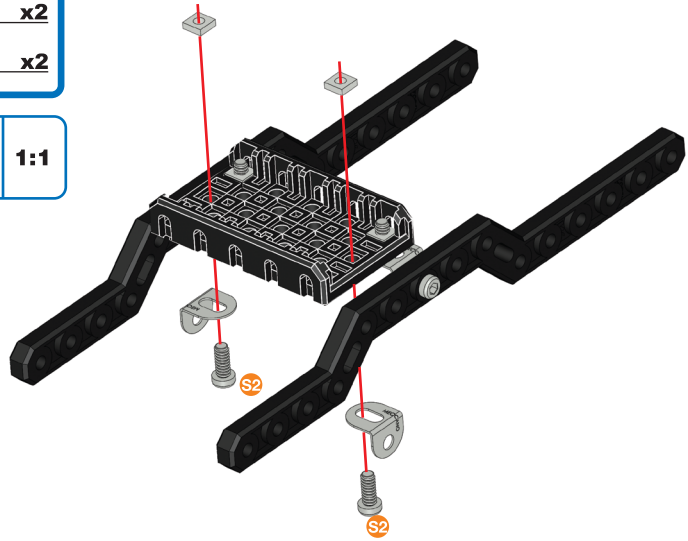
- | 1:1



2

- 9.5 mm | x2
3/8 in | 3/8 po
- | x2
- | x2

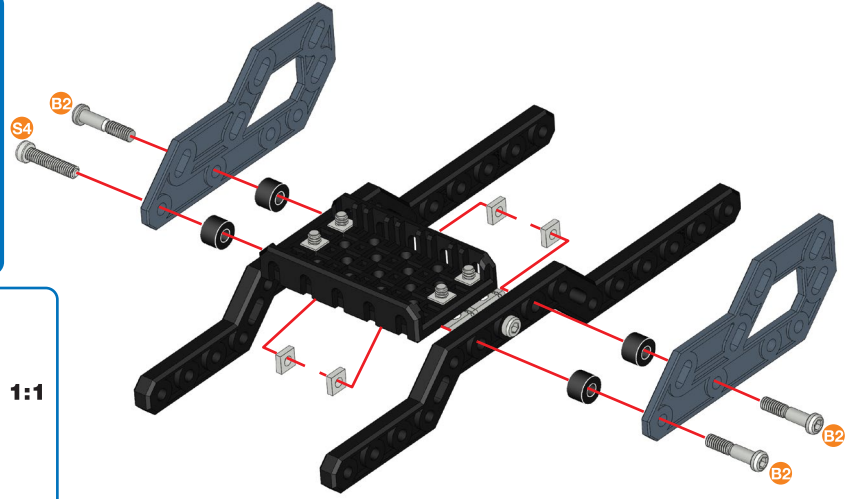
- | 1:1



3

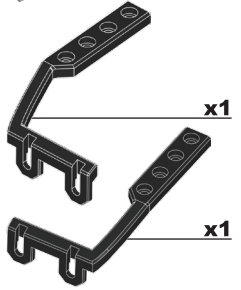
- 19 mm | x1
3/4 in | 3/4 po
- 19 mm | x3
3/4 in | 3/4 po
- | x4
- | x4
- | x2

- | S4
- | B2
- | A238
- 1:1

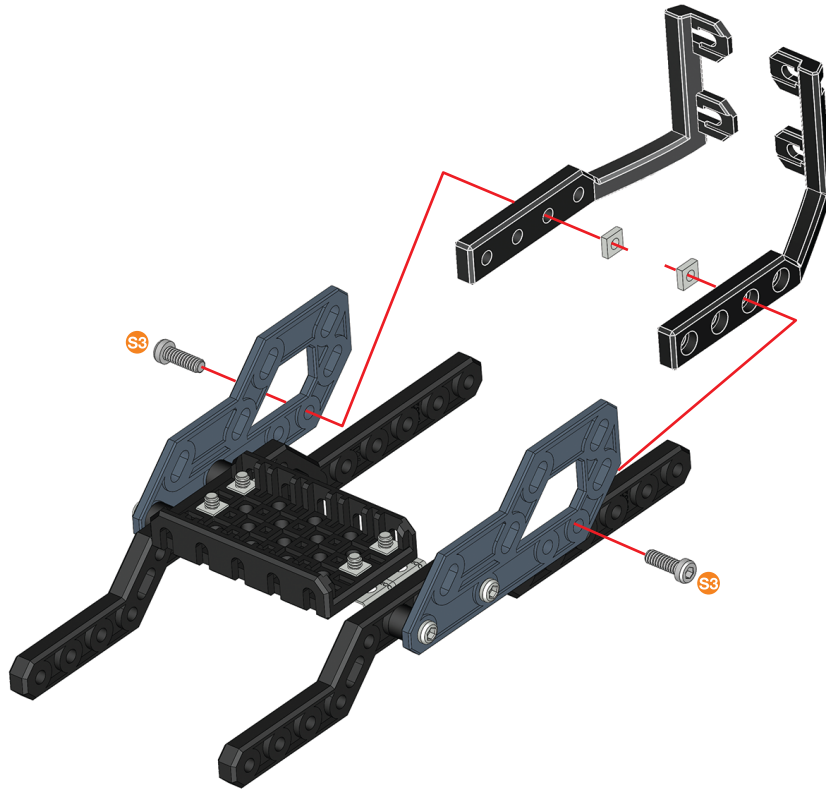


4

S3 12 mm | 1/2 in | x2
x2



S3 1:1

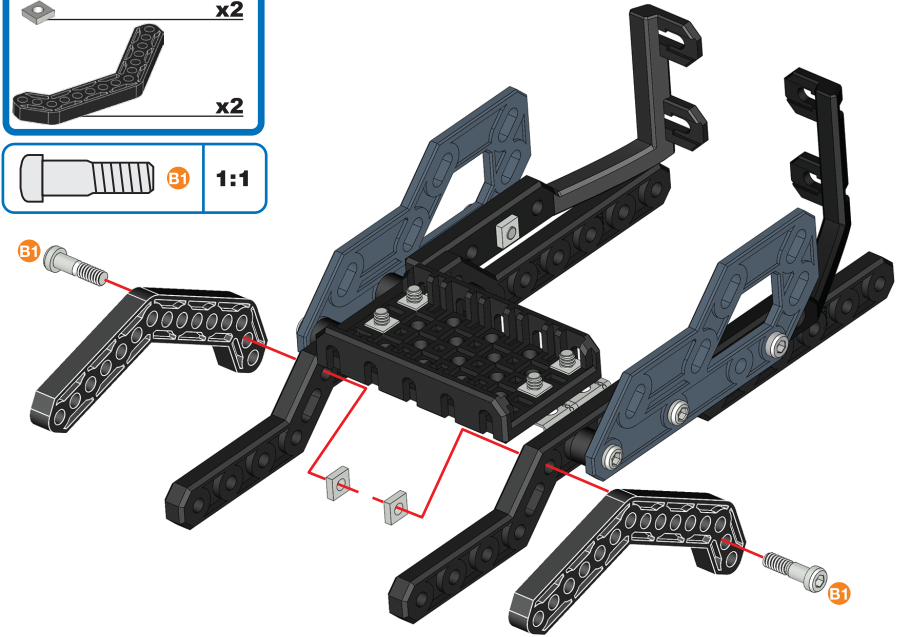
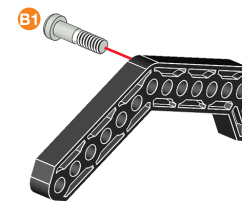


5

B1 14.7 mm | 37/64 in | x2
x2

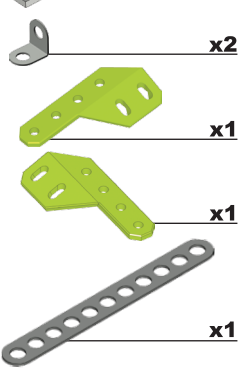


B1 1:1

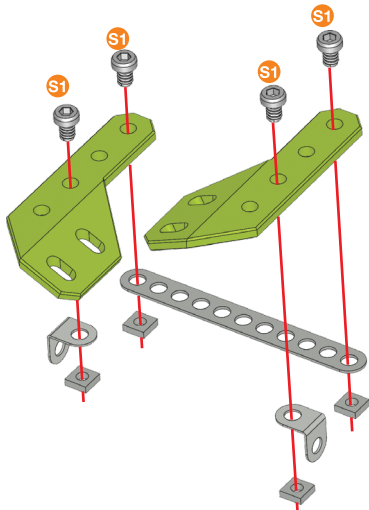


6

S1 5.8 mm | 15/64 in | x4
x4

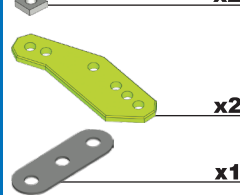


S1 1:1

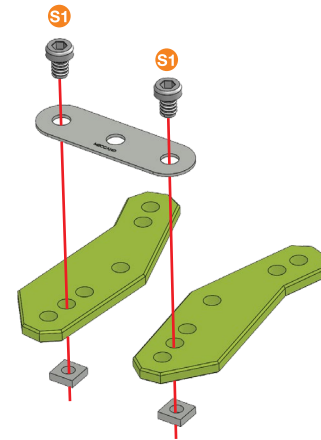


7




S1 5.8 mm | 15/64 in | x2
x2





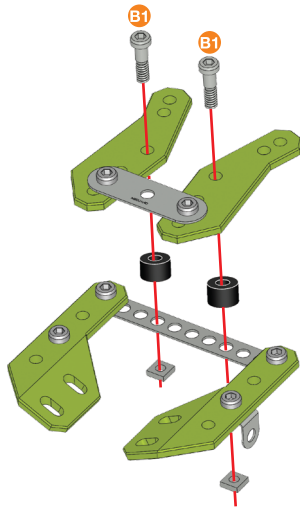
S1 1:1





8**⑥+⑦+**

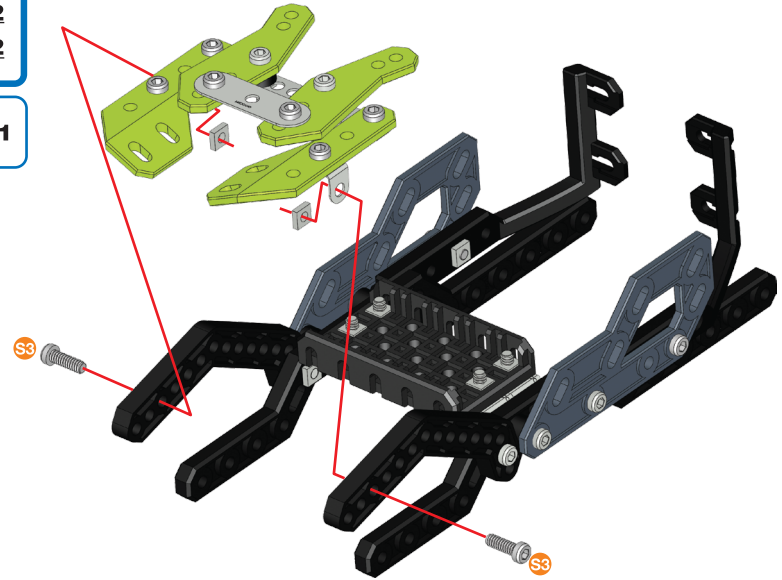
	14.7 mm 37/64 in	x2
	37/64 po	x2
		x2





	B1	1:1
	A238	

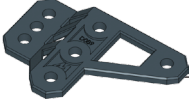
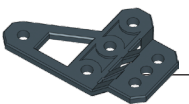
**9****⑤+⑧+**




	12 mm 1/2 in	x2
	1/2 po	x2

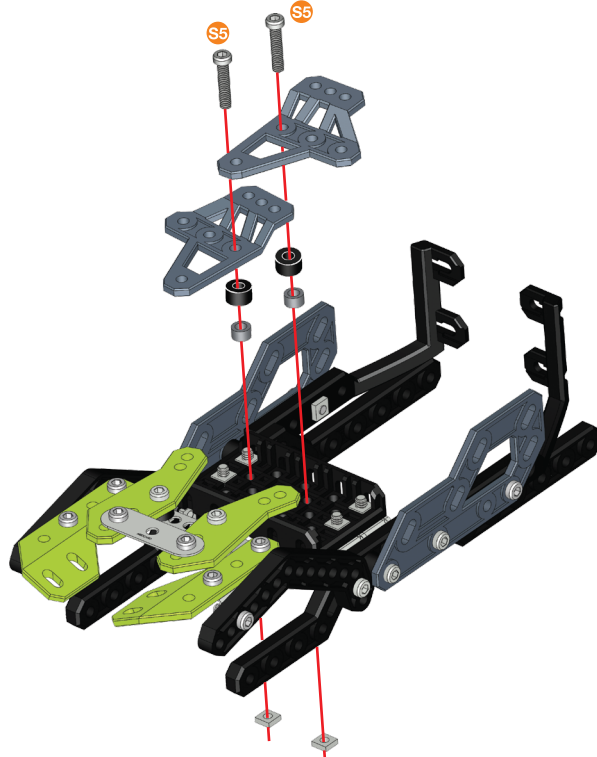
	S3	1:1
---	-----------	------------

**10**

	25.4 mm 1 in	x2
	1 po	x2
		x2
		x2

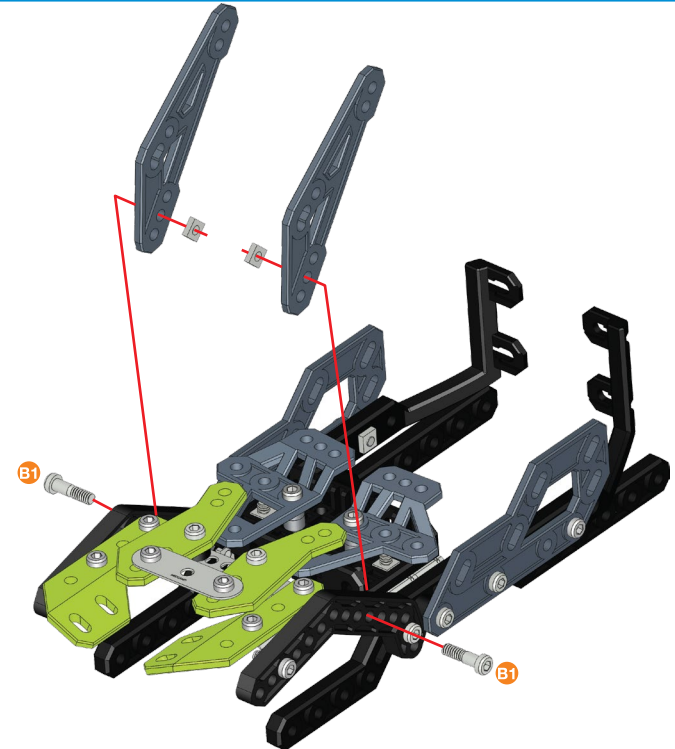
	x1
	x1

	A238	1:1
	A338	
	S5	

**11**

	14.7 mm 37/64 in	x2
	37/64 po	x2
		x2

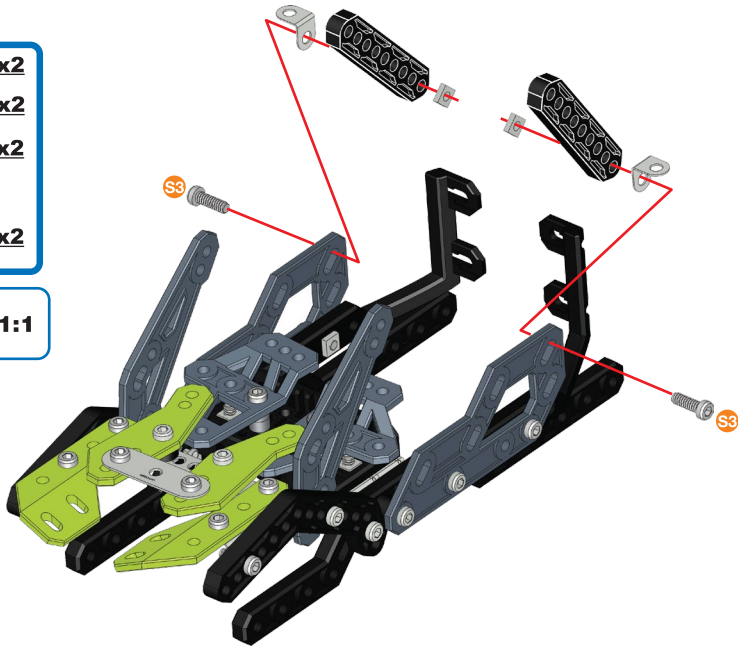
	B1	1:1
---	-----------	------------



12

- 12 mm | 1/2 in | 1/2 po | **x2**
- | **x2**
- | **x2**
- | **x2**

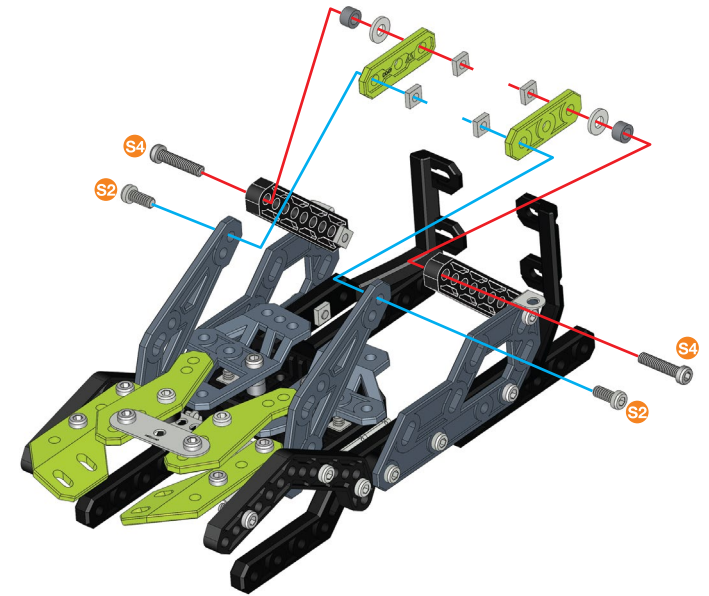
- S3** | **1:1**



13

- 19 mm | 3/4 in | 3/4 po | **x2**
- 9.5 mm | 3/8 in | 3/8 po | **x2**
- | **x4**
- | **x2**
- | **x2**

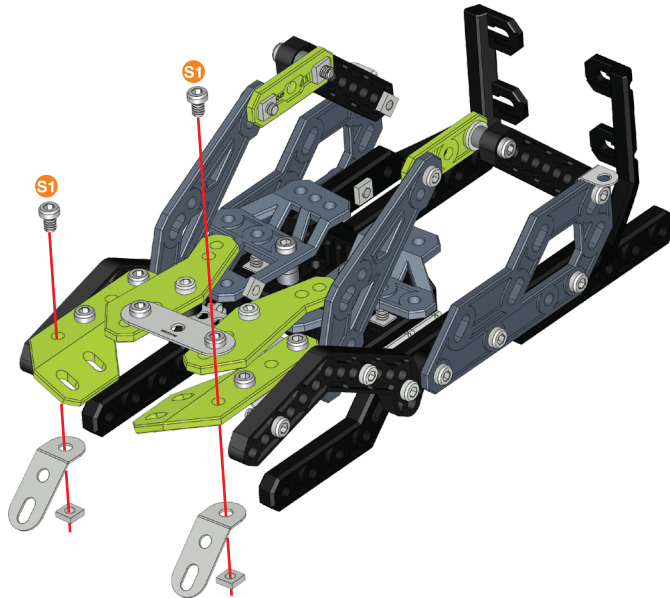
- A338**
- S2** | **1:1**
- S4**



14

- 5.8 mm | 15/64 in | 15/64 po | **x2**
- | **x2**
- | **x2**

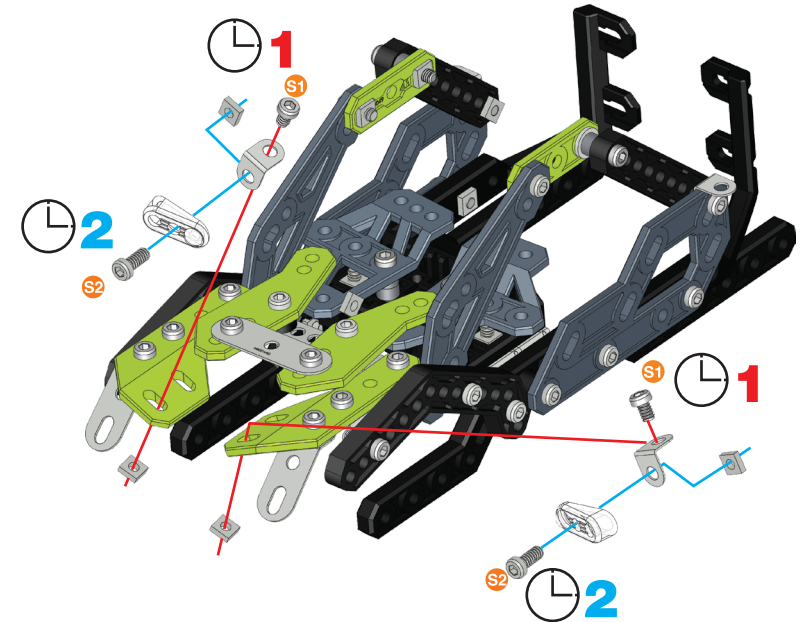
- S1** | **1:1**



15

- 9.5 mm | 3/8 in | 3/8 po | **x2**
- 5.8 mm | 15/64 in | 15/64 po | **x2**
- | **x4**
- | **x2**

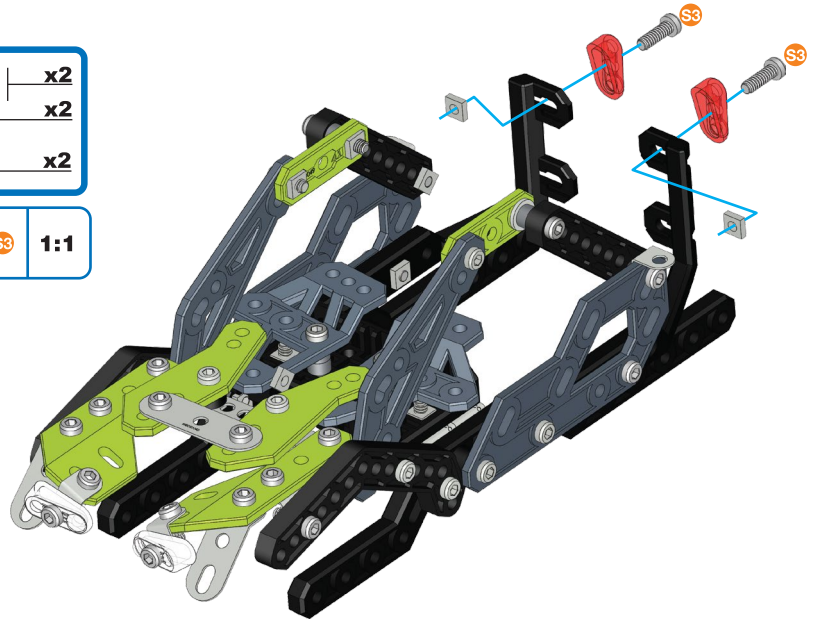
- S1** | **1:1**
- S2**



16

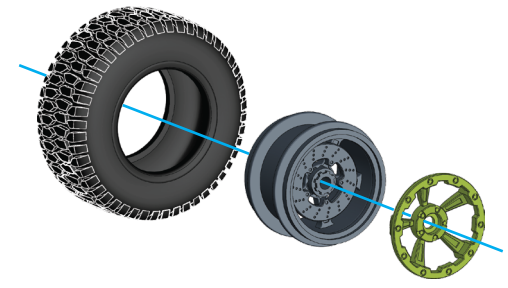
- 12 mm | 1/2 in | 1/2 po | x2
- x2
- x2

- 1:1



17

- x4
- x4
- x4

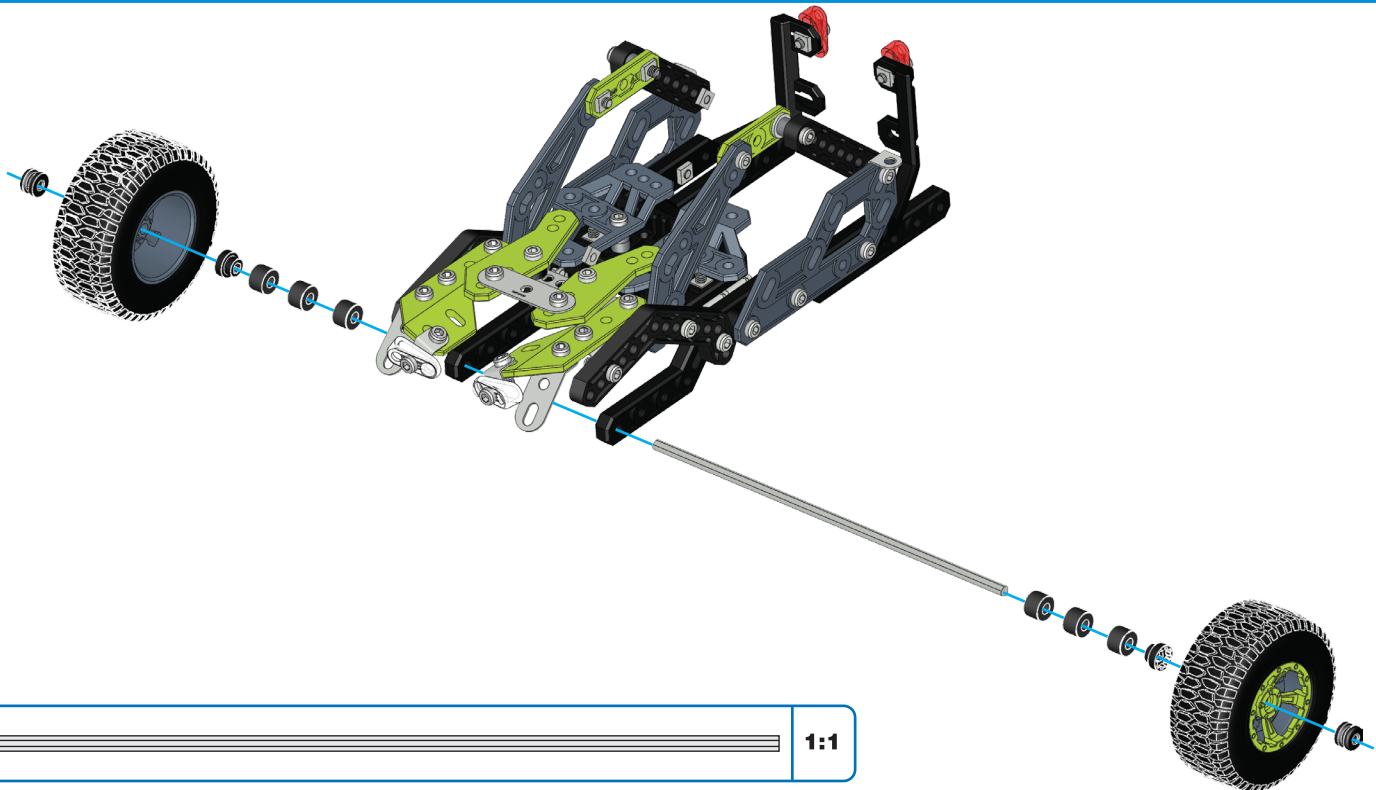


18

(16)+(17)+

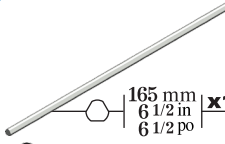



- 165 mm | 6 1/2 in | 6 1/2 po | x1
- x6
- x2
- x2

- A238 1:1



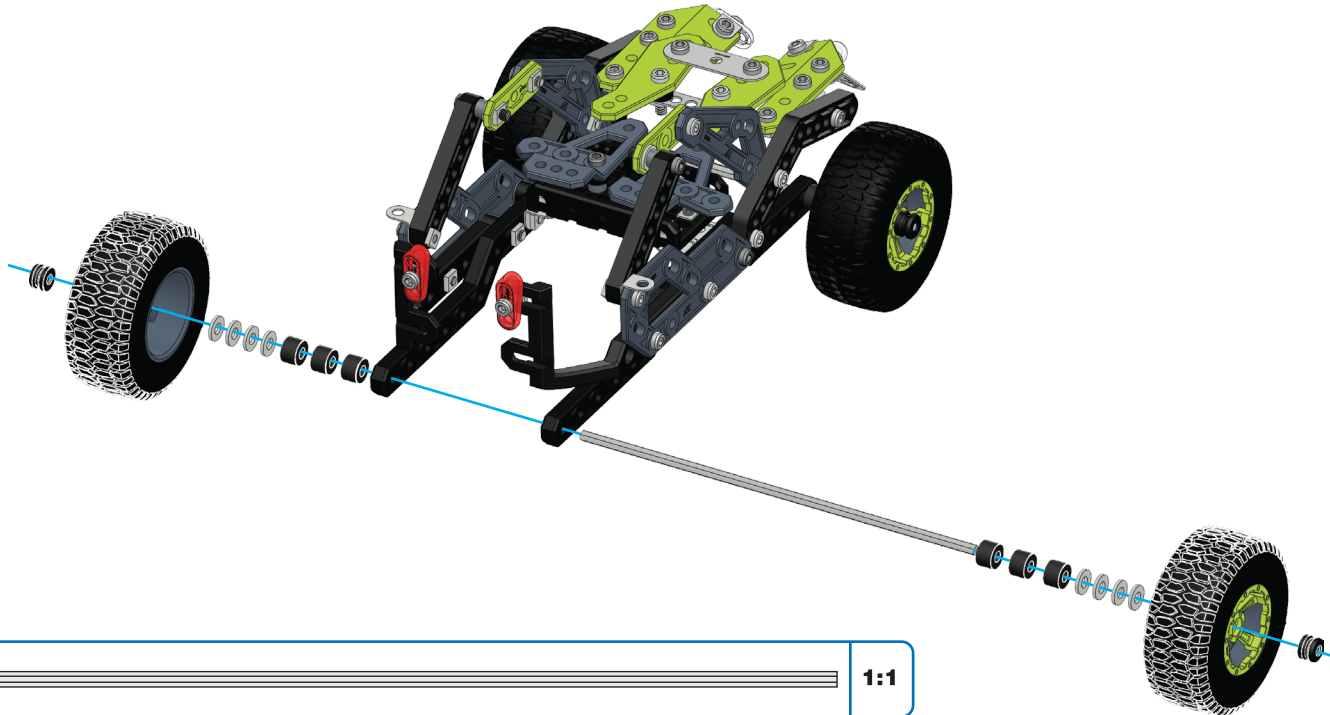
- 1:1

19

-  165 mm | 6 1/2 in | 6 1/2 po **x1**
-  **x6**
-  **x8**
-  **x2**









-   **A238** **1:1**



-  **1:1**

20

-  **S1** 5.8 mm | 15/64 in | 15/64 po **x4**
-  **S2** 9.5 mm | 3/8 in | 3/8 po **x2**
-  **x6**
-  **x2**
-  **x1**
-  **x2**



-  **S1**
-  **S2**
- 1:1**

