




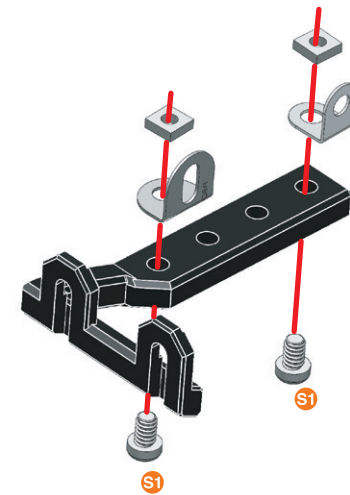
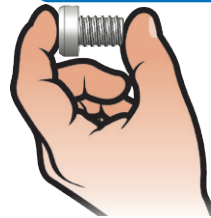




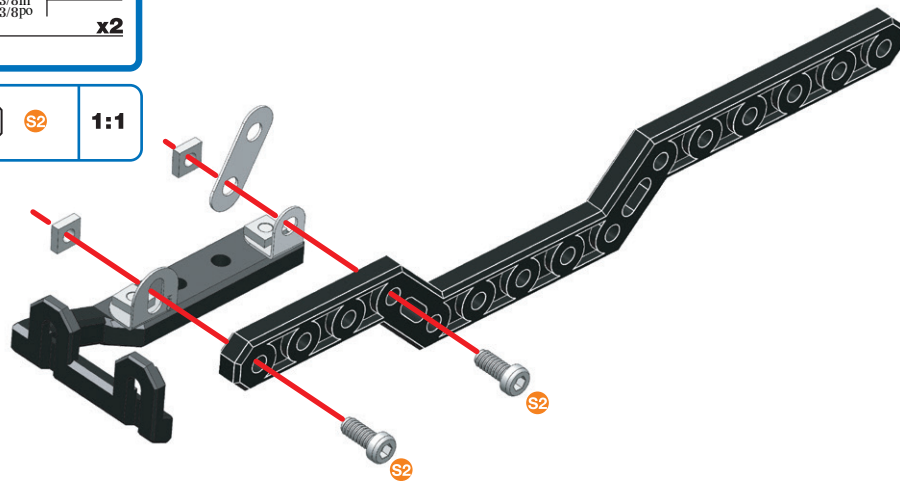
- 1**
-  x1
 -  x1
 -  x1
 -  S1 | 5.8 mm | 15/64 in | 15/64 po | x2
 -  x2






-  S1 | 1:1



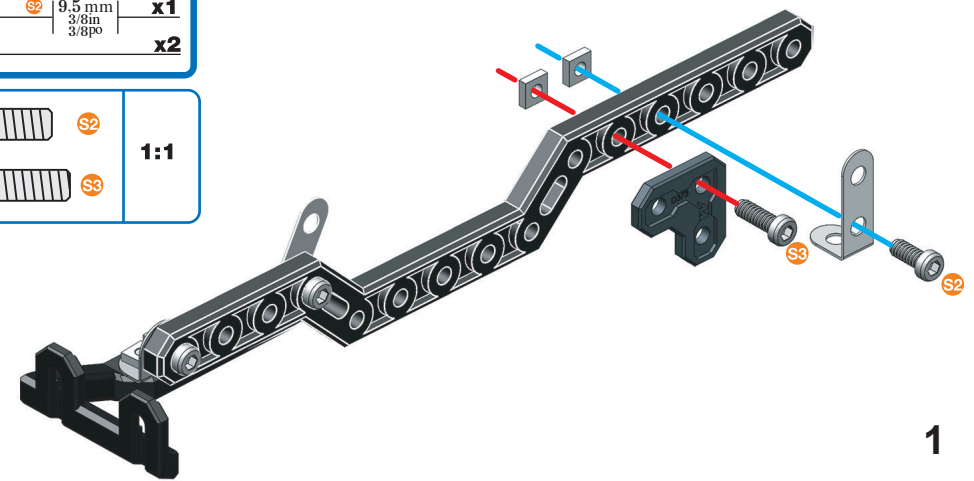
- 2**
-  x1
 -  x1
 -  S2 | 9.5 mm | 3/8 in | 3/8 po | x2
 -  x2

-  S2 | 1:1



- 3**
-  x1
 -  x1
 -  S3 | 12 mm | 1/2 in | 1/2 po | x1
 -  S2 | 9.5 mm | 3/8 in | 3/8 po | x1
 -  x2

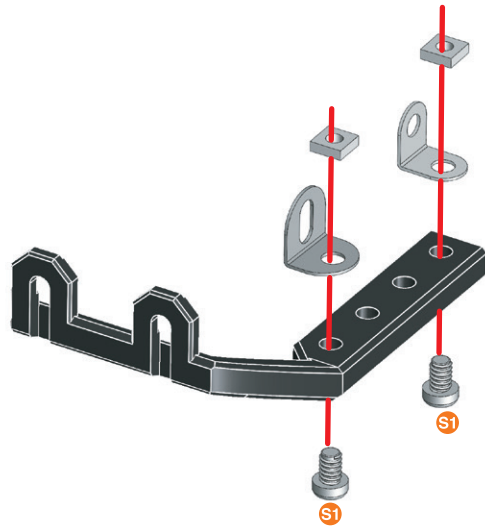
-  S2 | 1:1
-  S3 | 1:1



4

| | |
|--|----|
| | x1 |
| | x1 |
| | x1 |
| | x2 |
| | x2 |

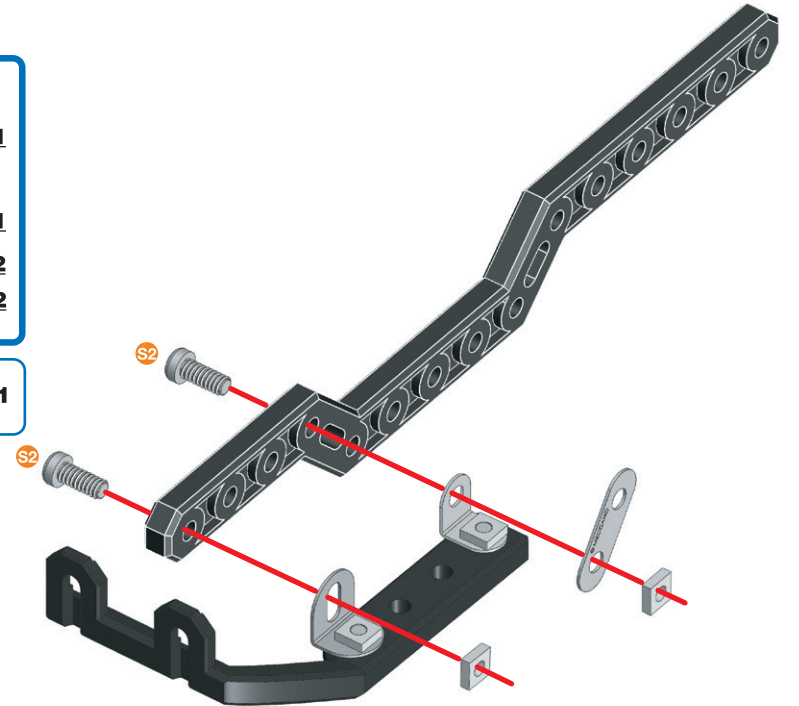
| | | |
|--|----|-----|
| | S1 | 1:1 |
|--|----|-----|



5

| | |
|--|----|
| | x1 |
| | x1 |
| | x2 |
| | x2 |

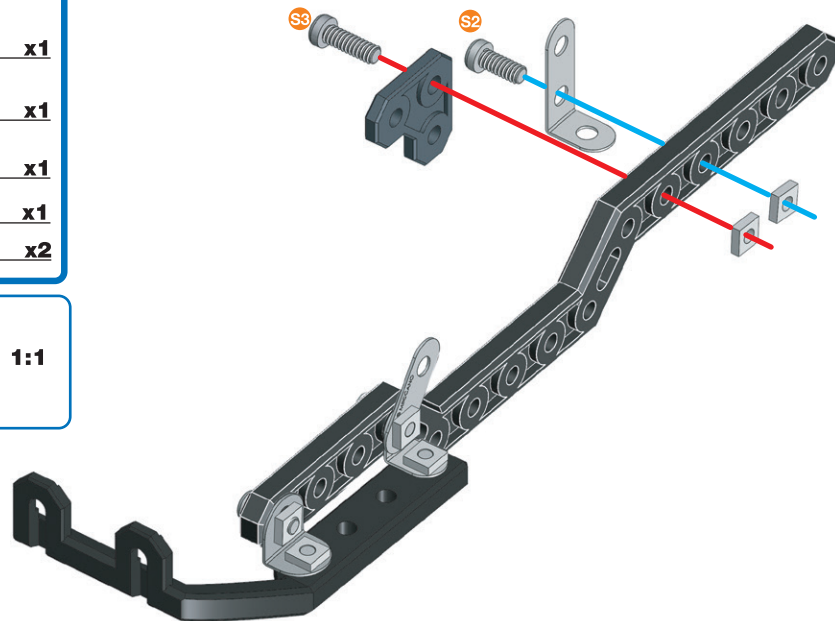
| | | |
|--|----|-----|
| | S2 | 1:1 |
|--|----|-----|



6

| | |
|--|----|
| | x1 |
| | x1 |
| | x1 |
| | x1 |
| | x2 |

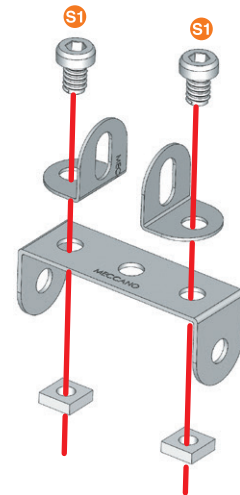
| | | |
|--|----|-----|
| | S2 | 1:1 |
| | S3 | 1:1 |



7

| | |
|--|----|
| | x1 |
| | x2 |
| | x2 |
| | x2 |

| | | |
|--|----|-----|
| | S1 | 1:1 |
|--|----|-----|



8 ③+⑥+⑦+

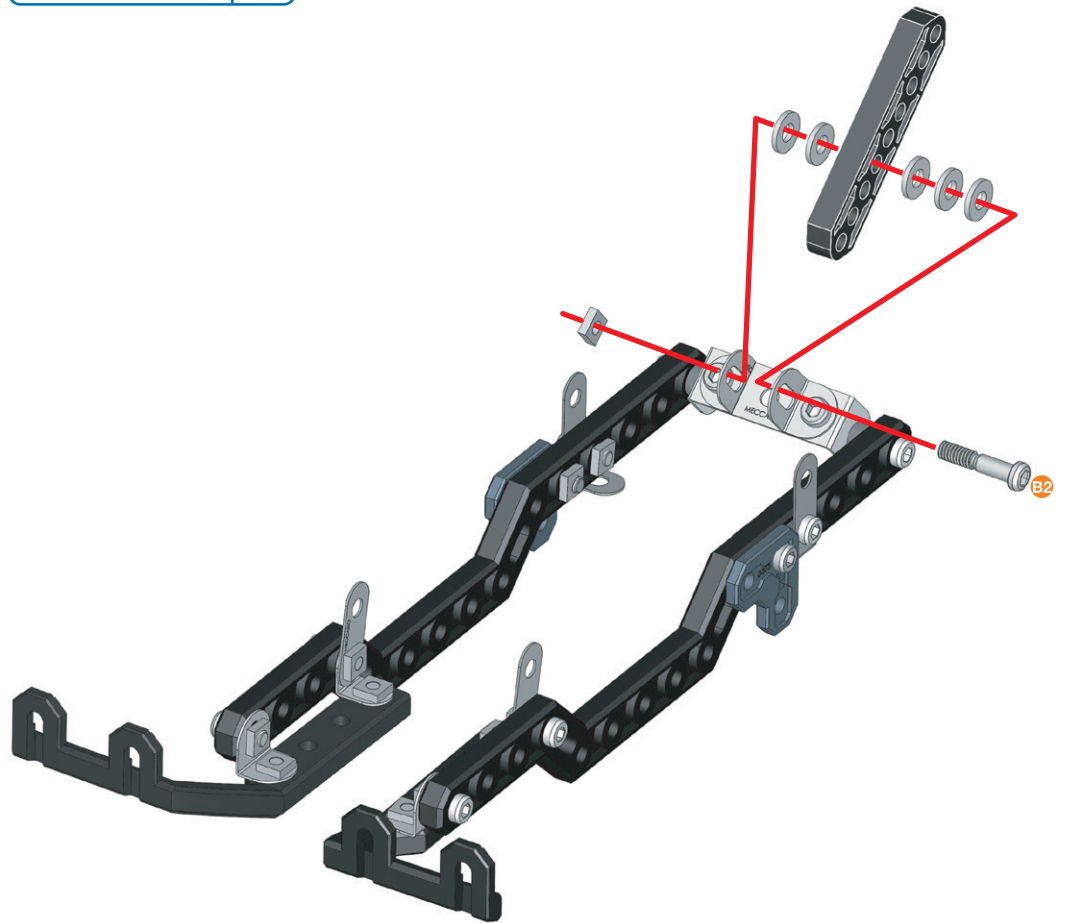
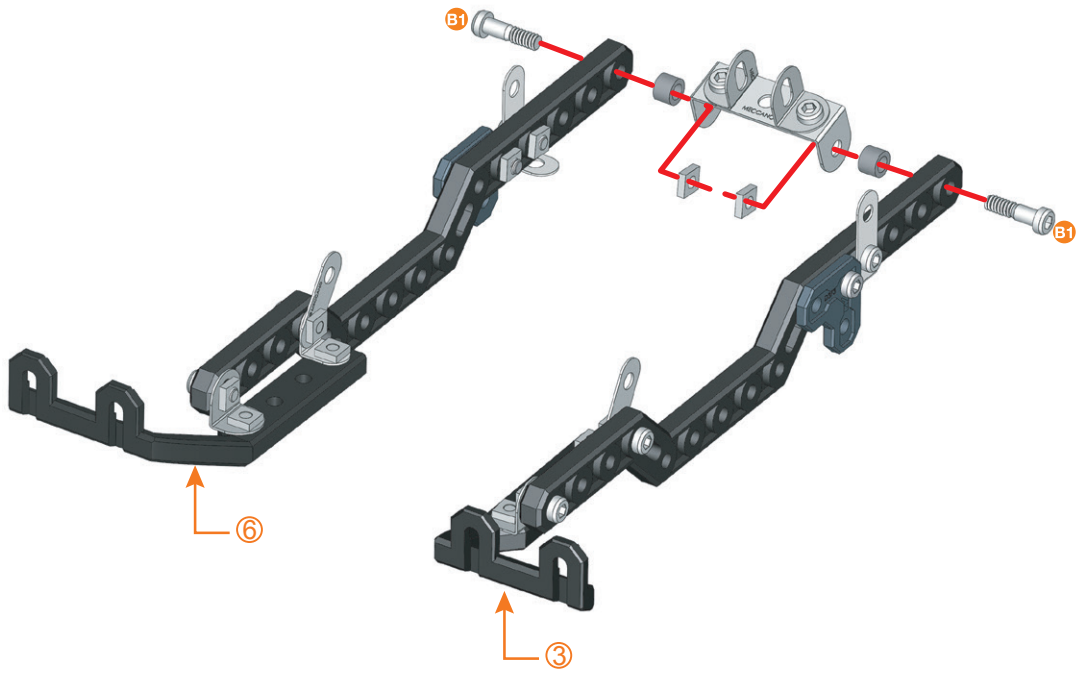
| | |
|---------------------------------|-----------|
| | x2 |
| 14,7 mm 37/64 in 37/64 po | x2 |
| | x2 |

| | |
|--|-------------|
| | 1:1 |
| | A338 |


9


| | |
|---------------------------|-----------|
| | x1 |
| | x5 |
| 19 mm 3/4 in 3/4 po | x1 |
| | x1 |

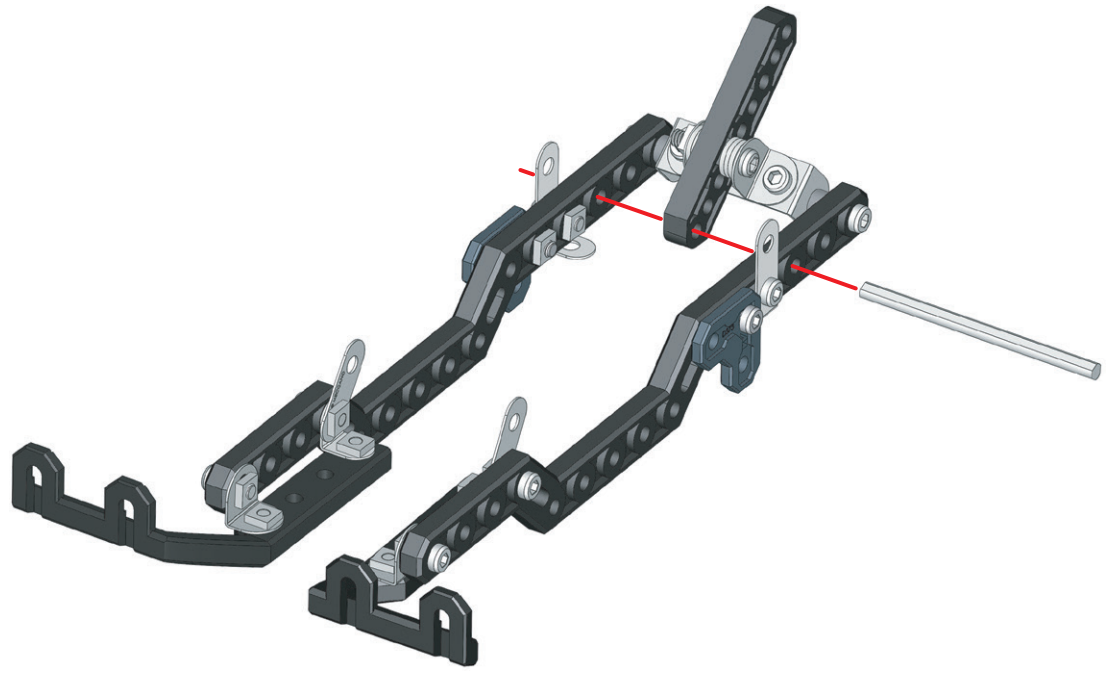
| | |
|--|------------|
| | 1:1 |
|--|------------|




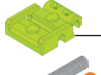
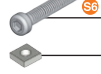

10

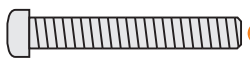
| | | |
|---|-------------------------------|----|
|  | 60 mm 2 3/8 in 2 3/8 po | x1 |
|---|-------------------------------|----|

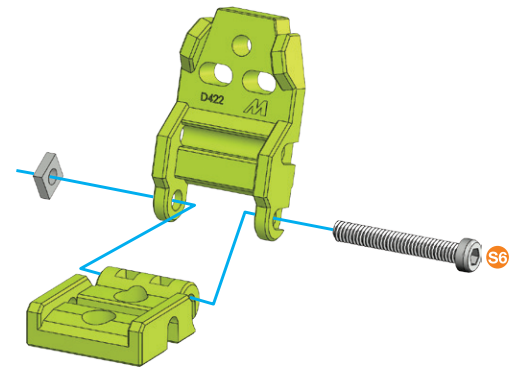
| | |
|---|-----|
|  | 1:1 |
|---|-----|




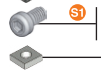

11

| | | |
|---|-------------------------------|----|
|  | x1 | |
|  | x1 | |
|  | 28 mm 1 1/8 in 1 1/8 po | x1 |
|  | x1 | |

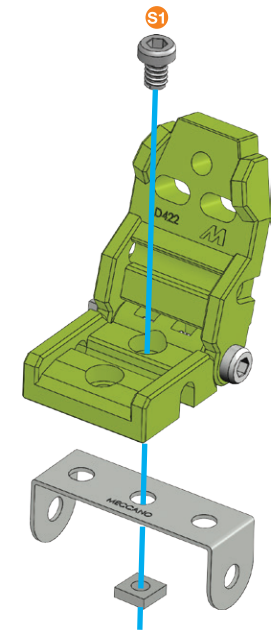
| | | |
|---|----|-----|
|  | S6 | 1:1 |
|---|----|-----|






12



| | | |
|---|--------------------------------|----|
|  | x1 | |
|  | 5.8 mm 15/64 in 15/64 po | x1 |
|  | x1 | |

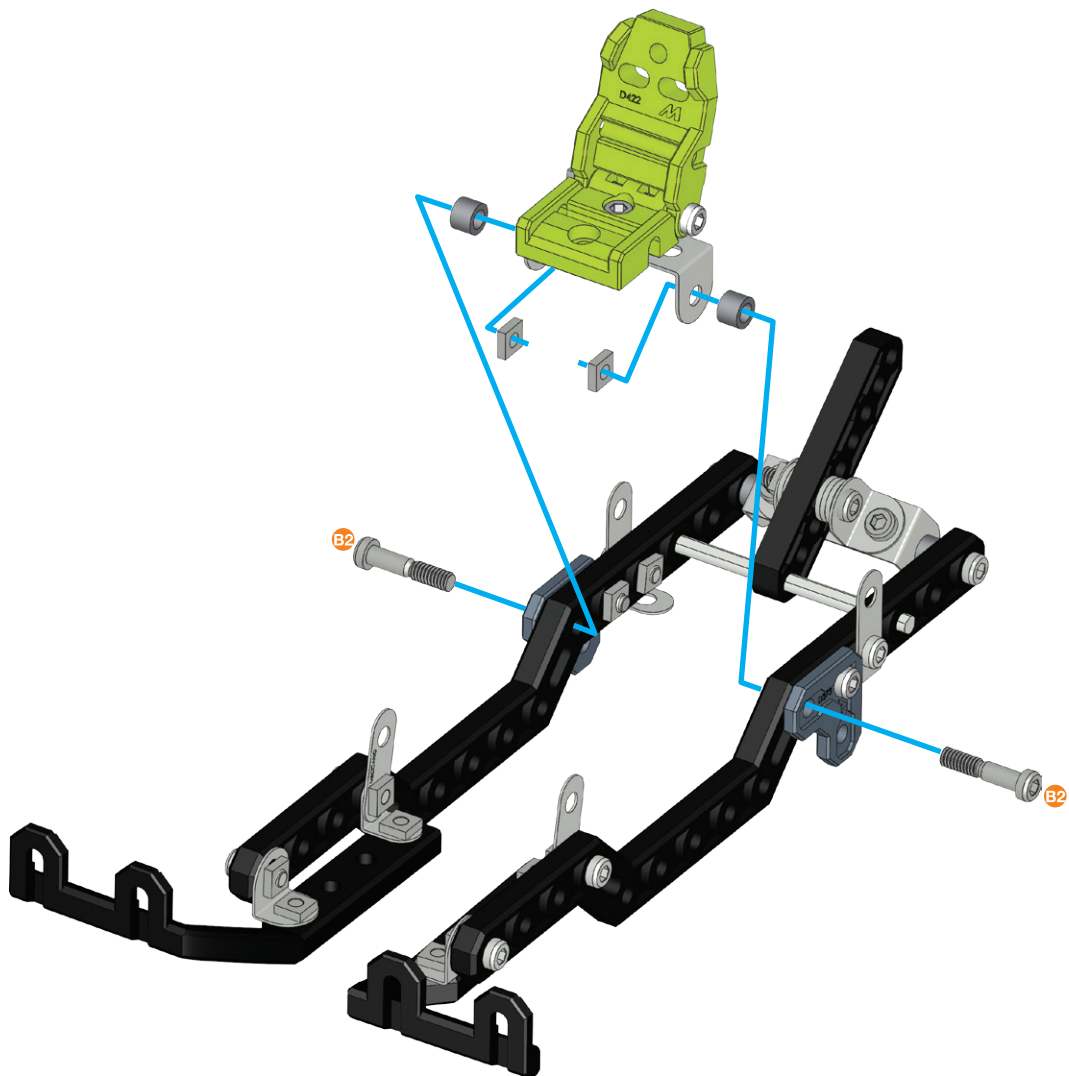
| | | |
|---|----|-----|
|  | S1 | 1:1 |
|---|----|-----|






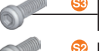


13 10 + 12 +

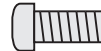

-  **x2**
-  **x2**
-  **x2**

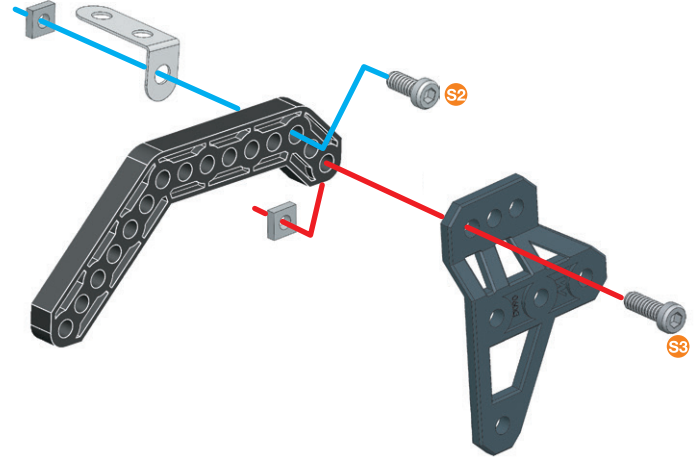
-  **x1**
-  **x1**
- 1:1**
- A338**






14

-  **x1**
-  **x1**
-  **x1**
-  **x1**
-  **x1**
-  **x2**

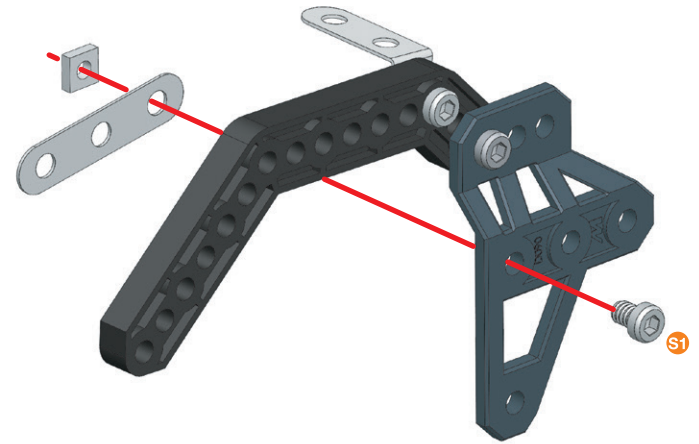
-  **x1**
-  **x1**
- 1:1**









15




-  **x1**
-  **x1**
-  **x1**

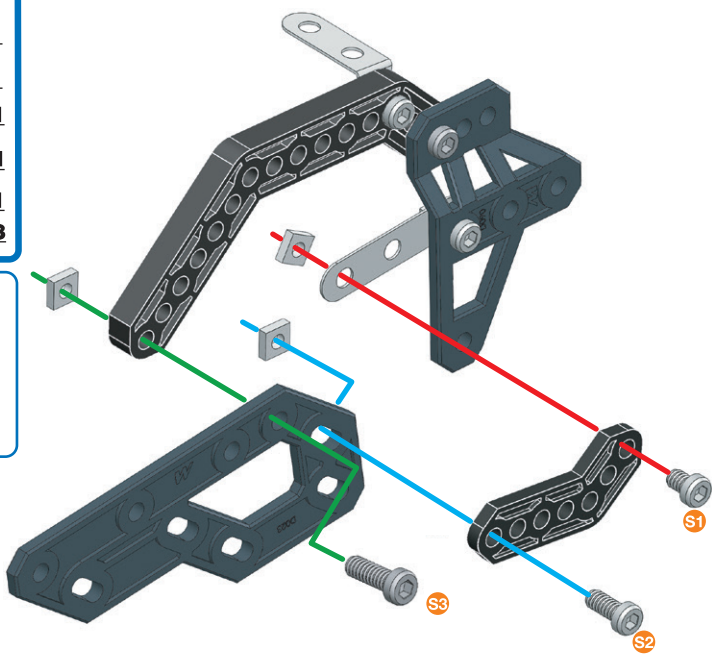
-  **x1**
- 1:1**






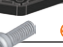


16



-  **x1**
-  **x1**
-  12 mm | 1/2 in | 1/2 po **x1**
-  9.5 mm | 3/8 in | 3/8 po **x1**
-  5.8 mm | 15/64 in | 15/64 po **x1**
-  **x3**

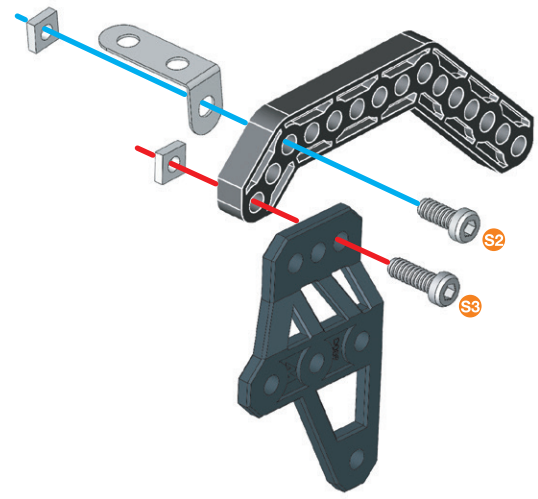
-  **S1**
 -  **S2**
 -  **S3**
- 1:1**






17

-  **x1**
-  **x1**
-  **x1**
-  12 mm | 1/2 in | 1/2 po **x1**
-  9.5 mm | 3/8 in | 3/8 po **x1**
-  **x2**

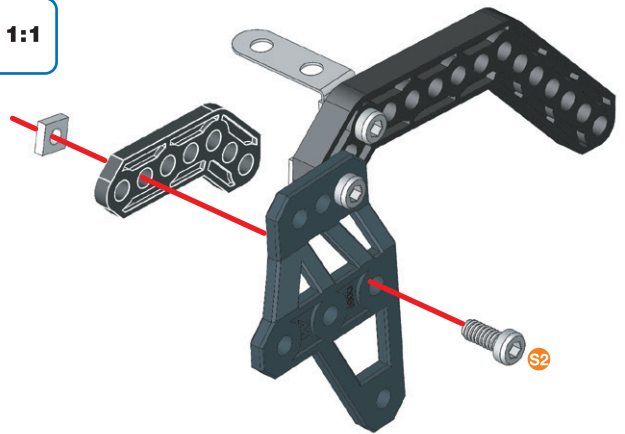
-  **S2**
 -  **S3**
- 1:1**








18



-  **x1**
-  9.5 mm | 3/8 in | 3/8 po **x1**
-  **x1**

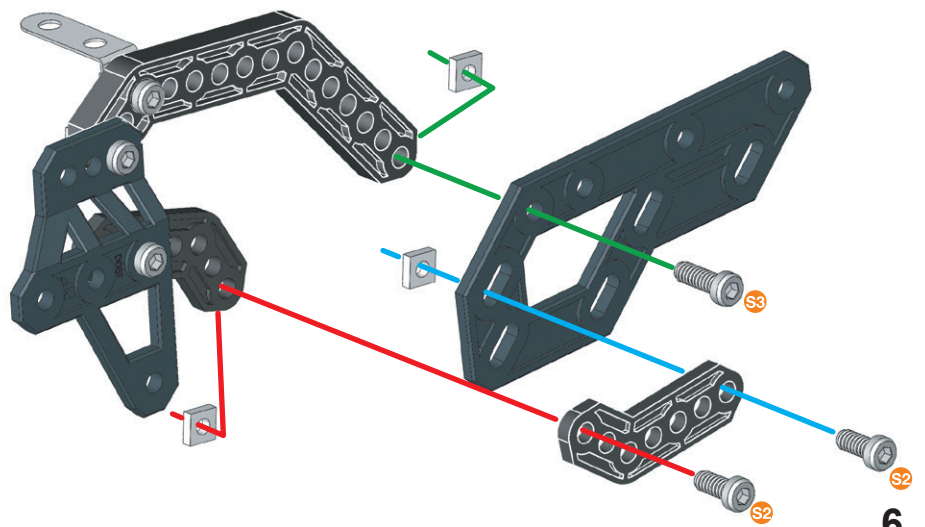
-  **S2**
- 1:1**



19

-  **x1**
-  **x1**
-  12 mm | 1/2 in | 1/2 po **x1**
-  9.5 mm | 3/8 in | 3/8 po **x2**
-  **x3**

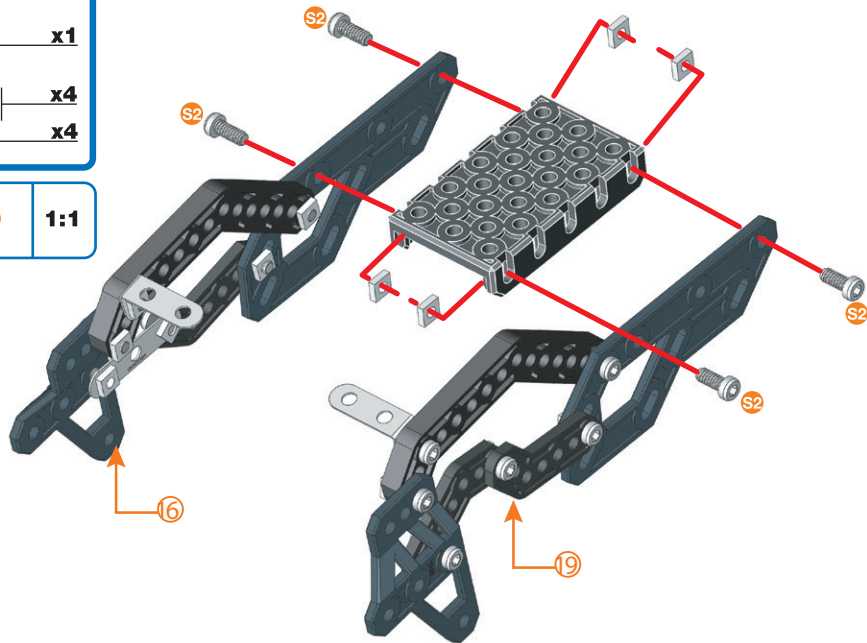
-  **S2**
 -  **S3**
- 1:1**






20 (16) + (19) +

| | |
|---|----|
|  | x1 |
|  | x4 |
|  | x4 |

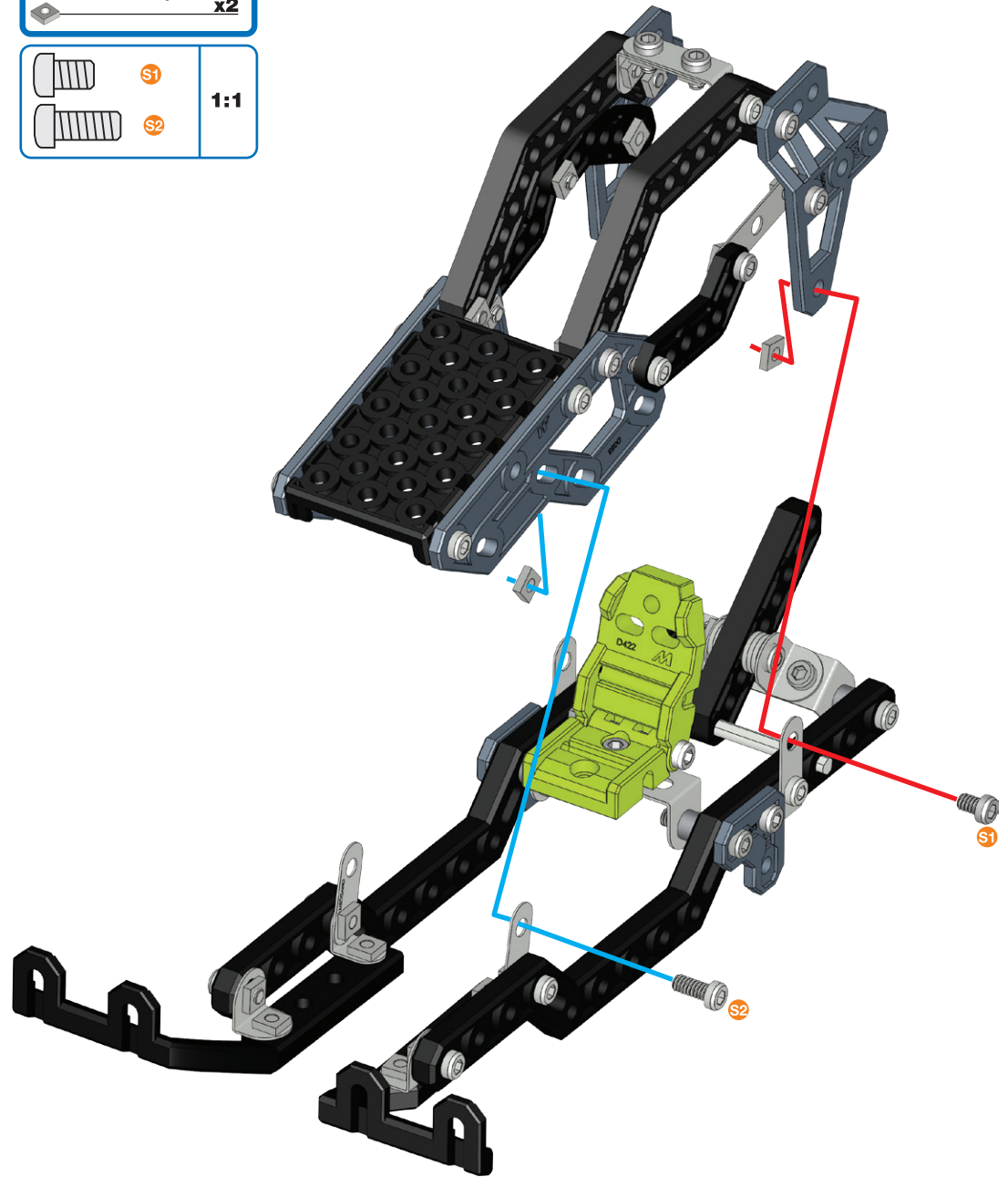
| | | |
|---|----|-----|
|  | S2 | 1:1 |
|---|----|-----|





22 (13) + (21) +

| | | | |
|---|----|----------|----|
|  | S2 | 9.5 mm | x1 |
| | | 3/8 in | |
| | | 3/8 po | |
|  | S1 | 5.8 mm | x1 |
| | | 15/64 in | |
| | | 15/64 po | |
|  | S2 | | x2 |

| | | |
|---|----|-----|
|  | S1 | 1:1 |
|  | S2 | |

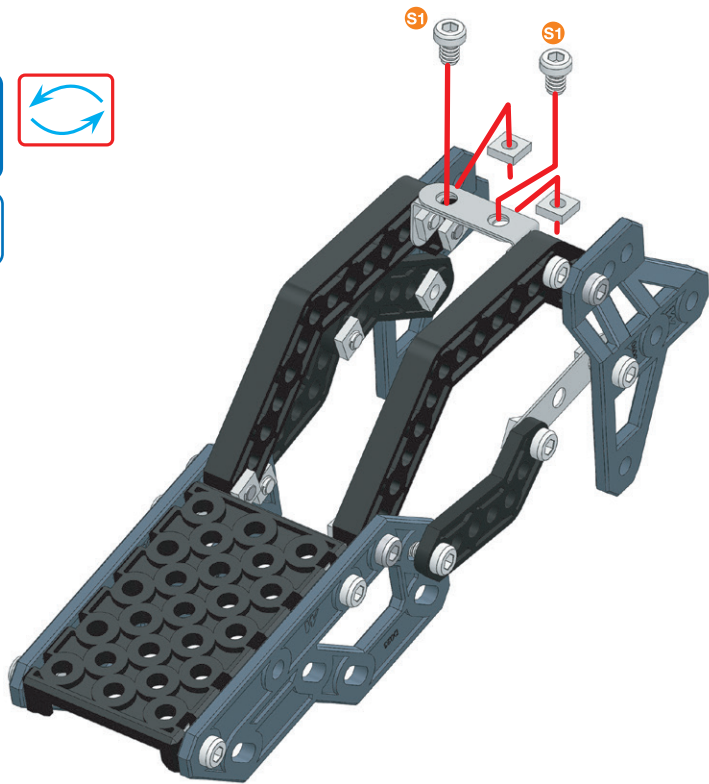


21

| | | | |
|---|----|----------|----|
|  | S1 | 5.8 mm | x2 |
| | | 15/64 in | |
| | | 15/64 po | |
|  | S2 | | x2 |



| | | |
|---|----|-----|
|  | S1 | 1:1 |
|---|----|-----|

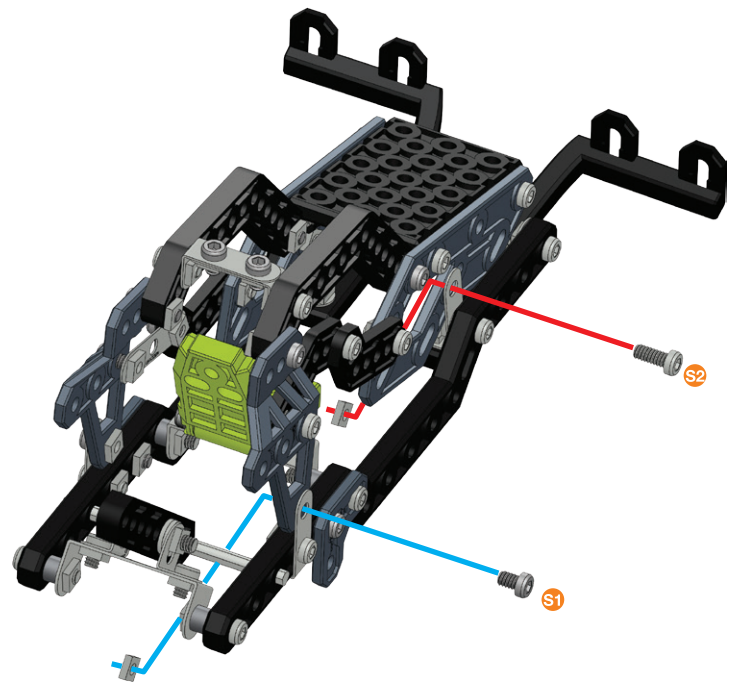


23

| | | |
|--|--------------------------------|----|
| | 9.5 mm 3/8 in 3/8 po | x1 |
| | 5.8 mm 15/64 in 15/64 po | x1 |
| | | x2 |



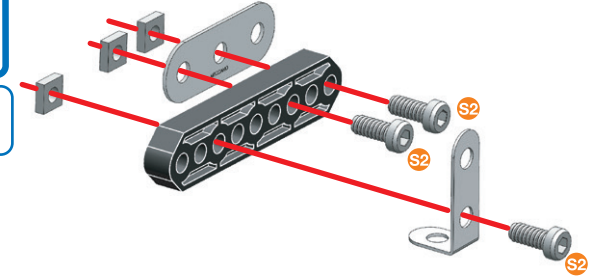
| | | |
|--|----|-----|
| | S1 | 1:1 |
| | S2 | |



24

| | | |
|--|----------------------------|----|
| | x1 | |
| | x1 | |
| | x1 | |
| | 9.5 mm 3/8 in 3/8 po | x3 |
| | | x3 |

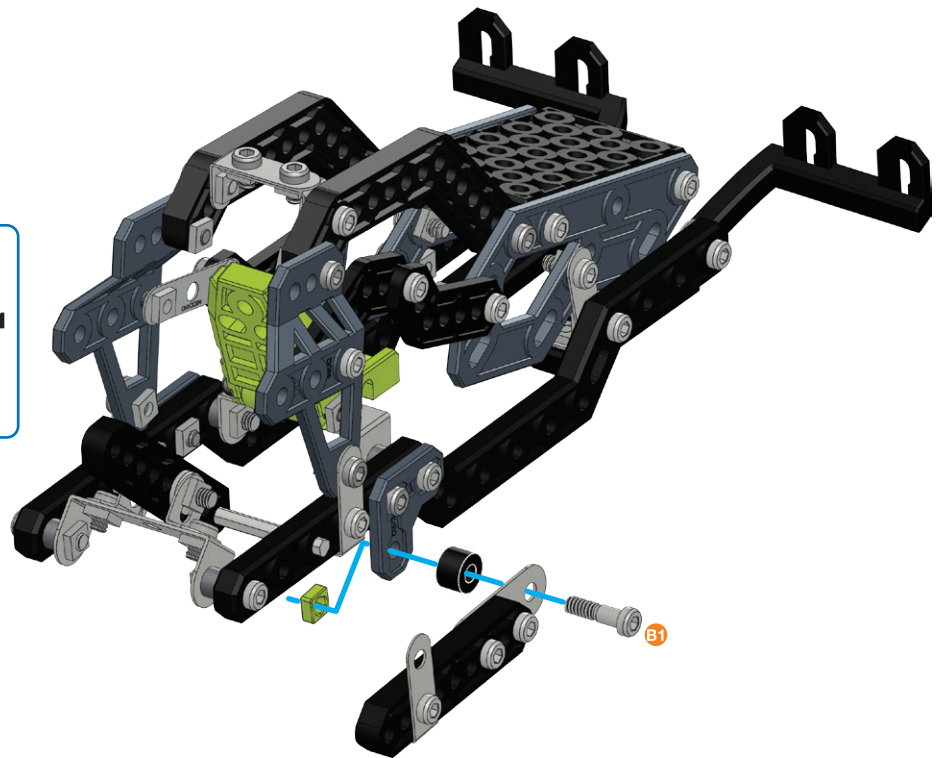
| | | |
|--|----|-----|
| | S2 | 1:1 |
|--|----|-----|



25

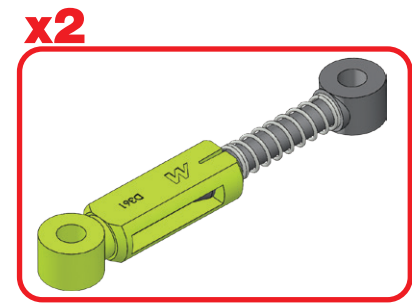
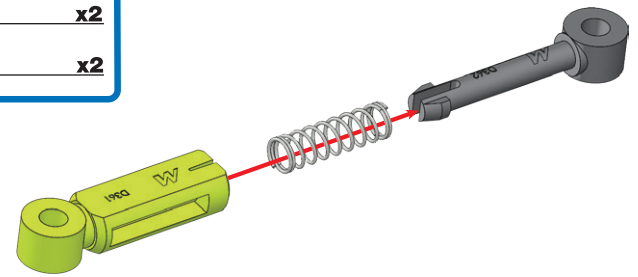
| | | |
|--|---------------------------------|----|
| | 14.7 mm 37/64 in 37/64 po | x1 |
| | | x1 |
| | | x1 |

| | | |
|--|------|-----|
| | B1 | 1:1 |
| | D277 | |
| | A238 | |



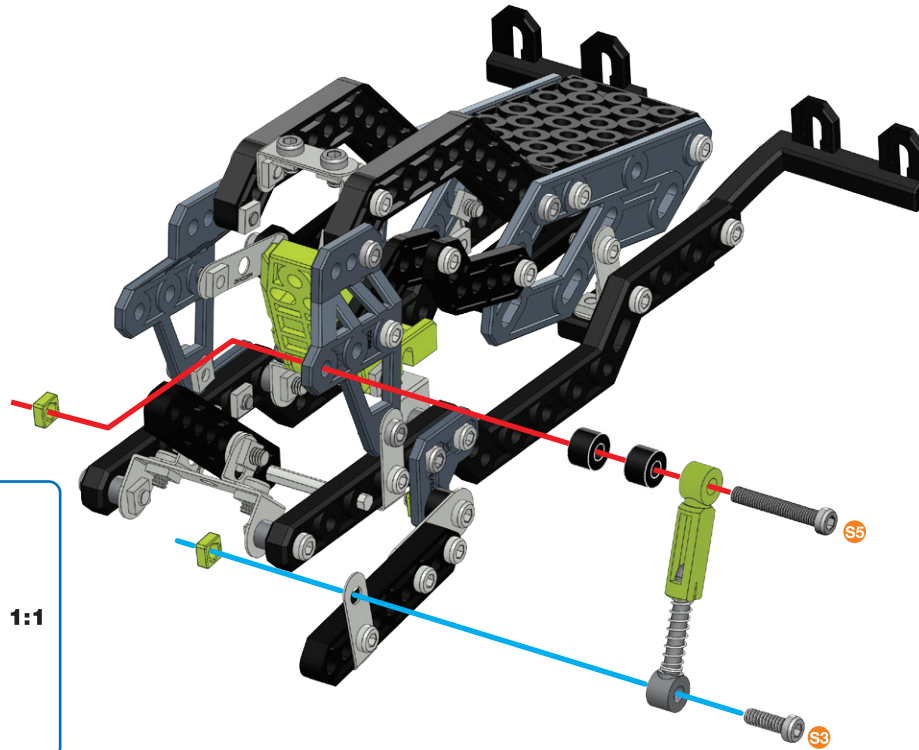
26

| | |
|--|----|
| | x2 |
| | x2 |
| | x2 |



27 (25)+(26)+

| | | |
|--|---------------------------|-----------|
| | 25.4 mm 1 in 1 po | x1 |
| | 12 mm 1/2 in 1/2 po | x1 |
| | | x2 |
| | | x2 |

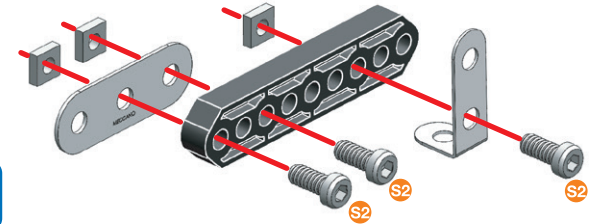


| | | |
|--|-------------|------------|
| | S5 | 1:1 |
| | S3 | |
| | A238 | |
| | D277 | |

28

| | | |
|--|----------------------------|-----------|
| | x1 | |
| | x1 | |
| | x1 | |
| | 9.5 mm 3/8 in 3/8 po | x3 |
| | | x3 |

| | | |
|--|-----------|------------|
| | S2 | 1:1 |
|--|-----------|------------|

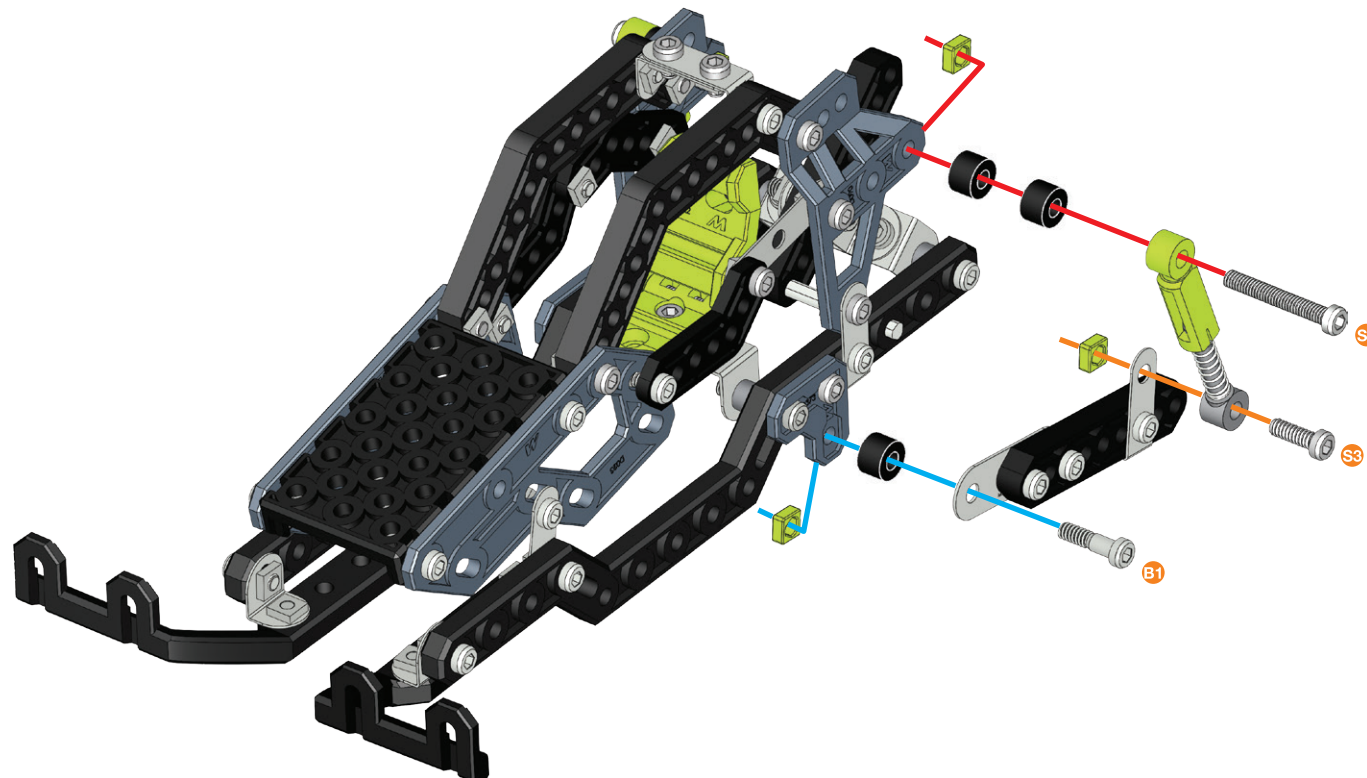


29 (26)+(27)+(28)+

| | | |
|--|---------------------------------|-----------|
| | 25.4 mm 1 in 1 po | x1 |
| | 14.7 mm 37/64 in 37/64 po | x1 |
| | 12 mm 1/2 in 1/2 po | x1 |
| | | x3 |
| | | x3 |



| | | |
|--|-------------|------------|
| | S5 | 1:1 |
| | S3 | |
| | B1 | |
| | A238 | |
| | D277 | |

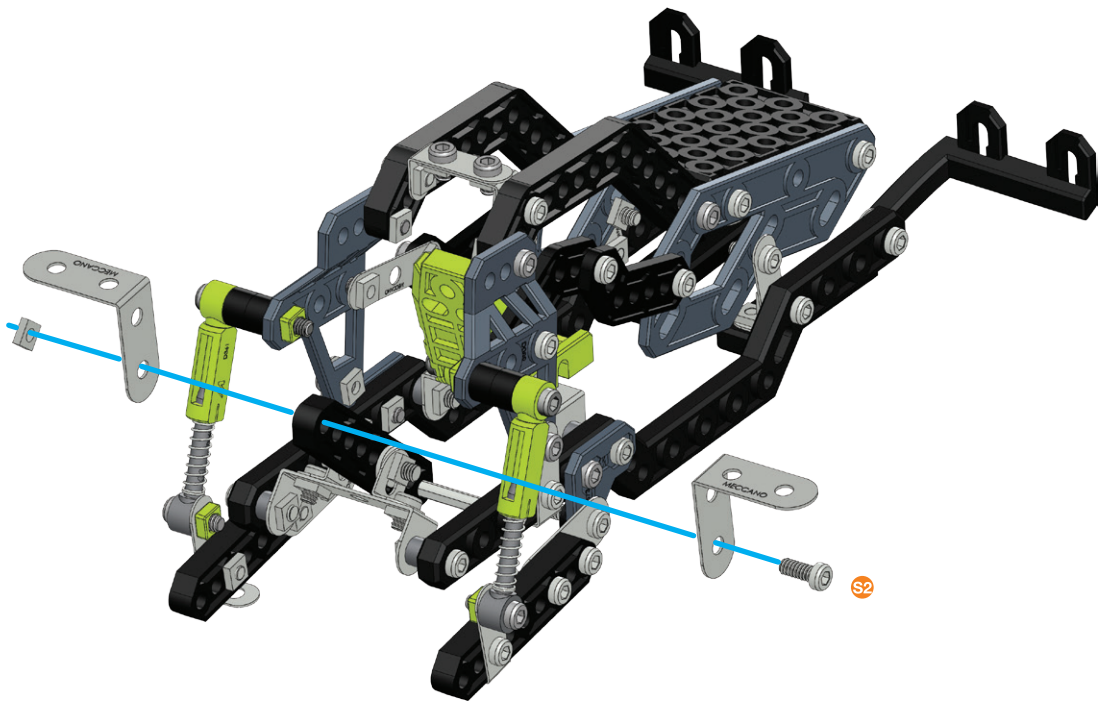


30

| | |
|--|-----------|
| | x2 |
| | x1 |
| | x1 |



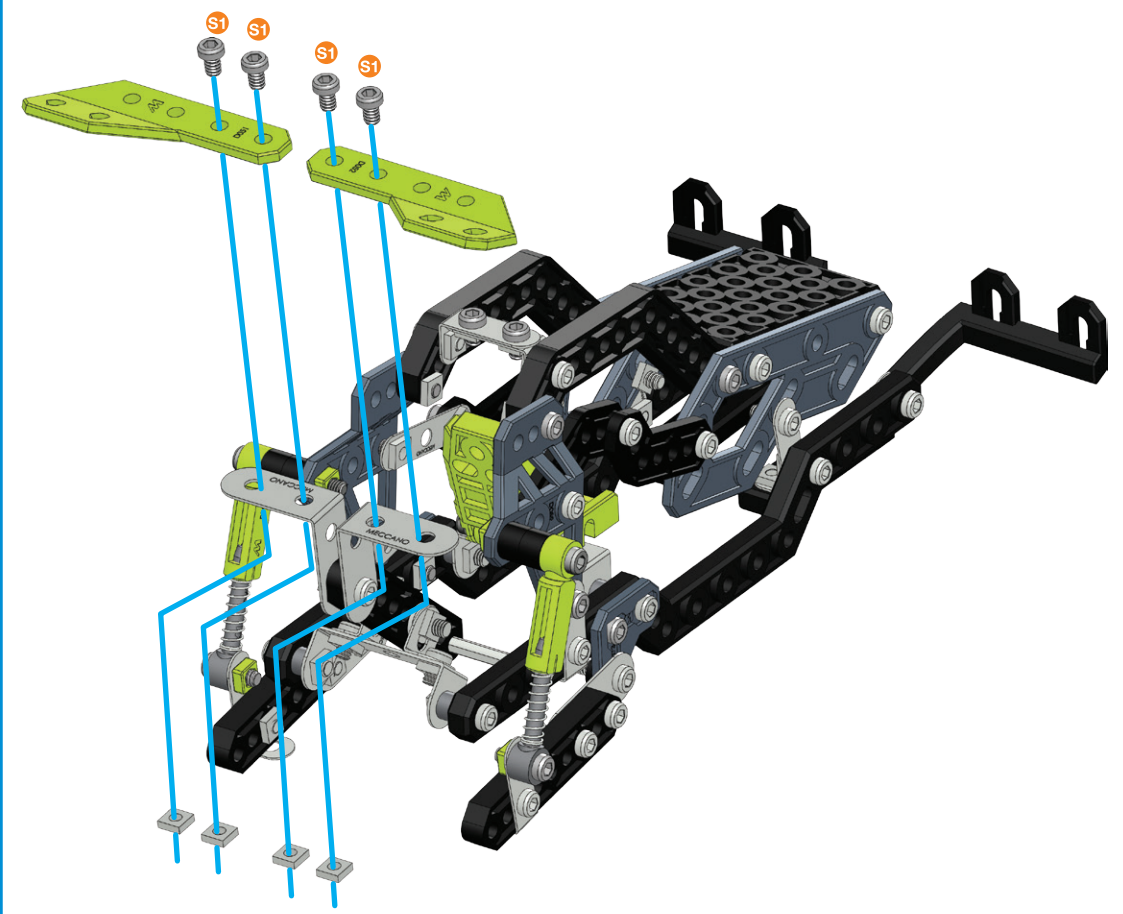
| | |
|--|------------|
| | 1:1 |
|--|------------|



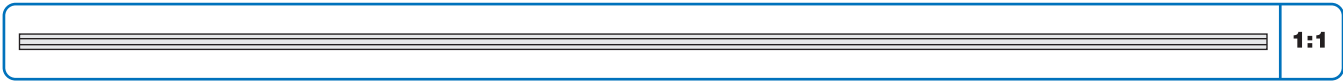
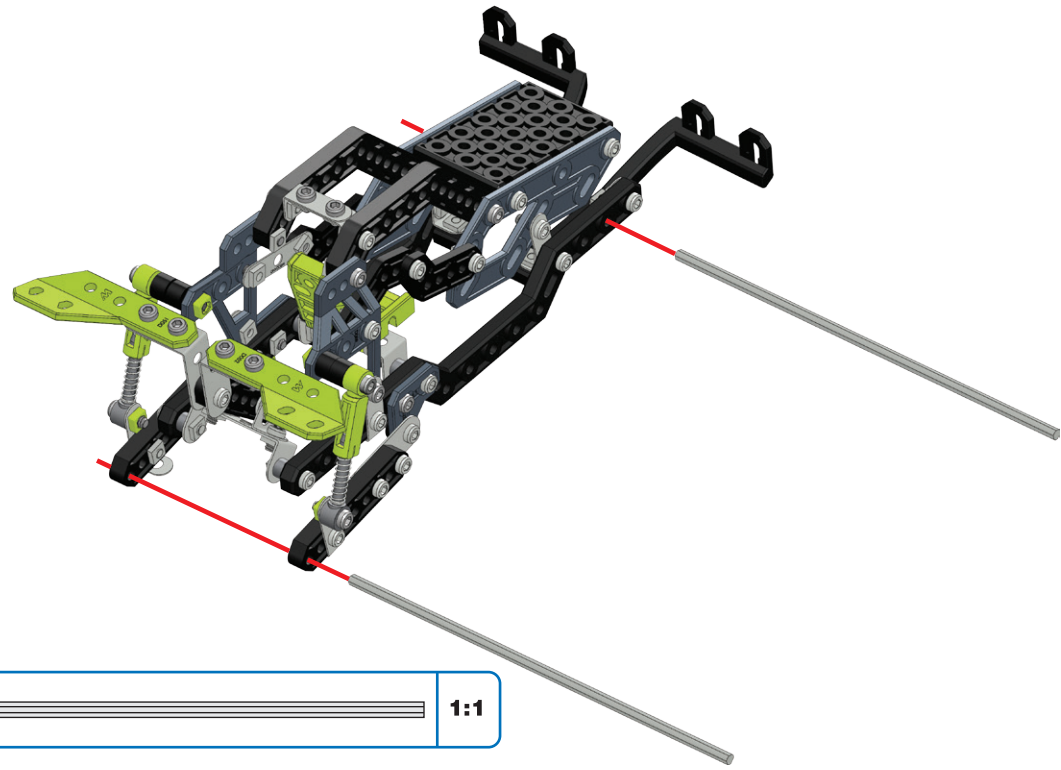
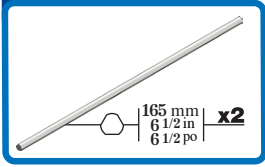
31

| | |
|--|-----------|
| | x1 |
| | x1 |
| | x4 |
| | x4 |

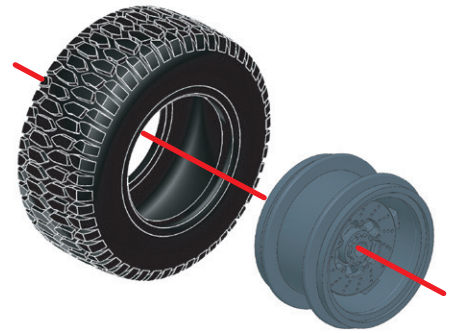
| | |
|--|------------|
| | 1:1 |
|--|------------|






32



33



34 (32)+(33)+

| | |
|---|-----|
|  | x4 |
|  | x2 |
|  | x14 |

| | | | |
|---|---|------|-----|
|  |  | A238 | 1:1 |
|---|---|------|-----|

