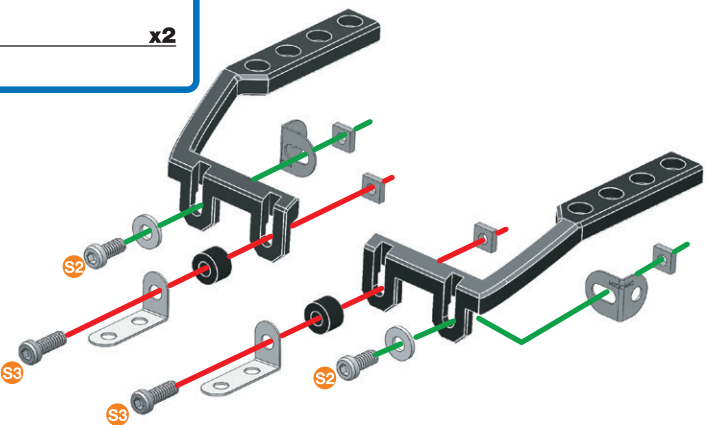


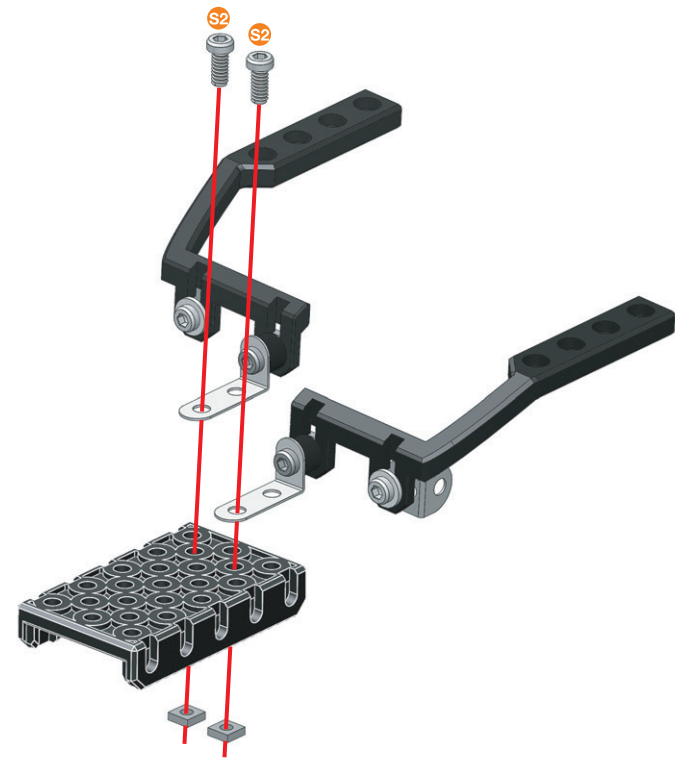


- 1**
- x1
 - x1
 - x2
 - x2
 - x2
 - 12 mm | 1/2 in | 1/2 po x2
 - 9.5 mm | 3/8 in | 3/8 po x2
 - x4
 - x2

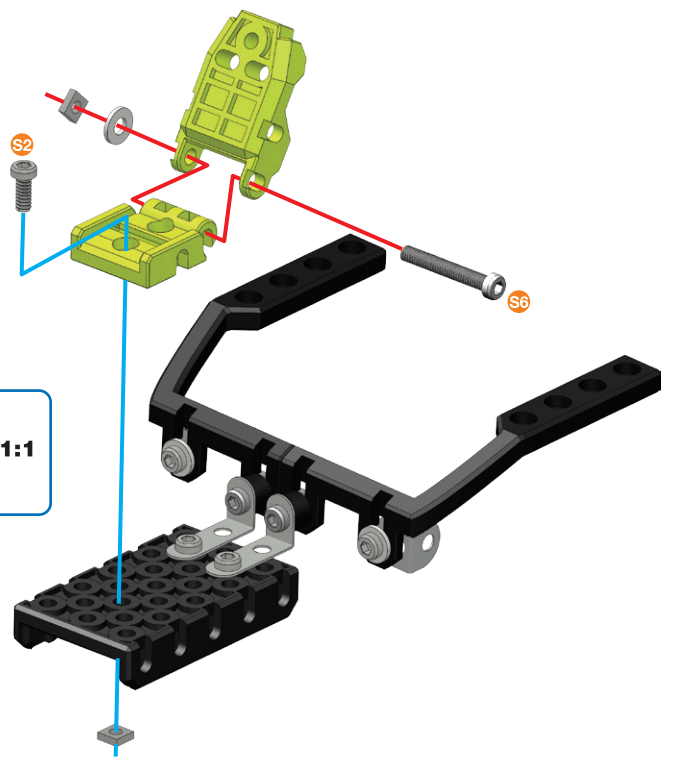
- A238**
- A238**
- S3** 1:1
- S2** 1:1



- 2**
- x1
 - 9.5 mm | 3/8 in | 3/8 po x2
 - x2
 - S2** 1:1



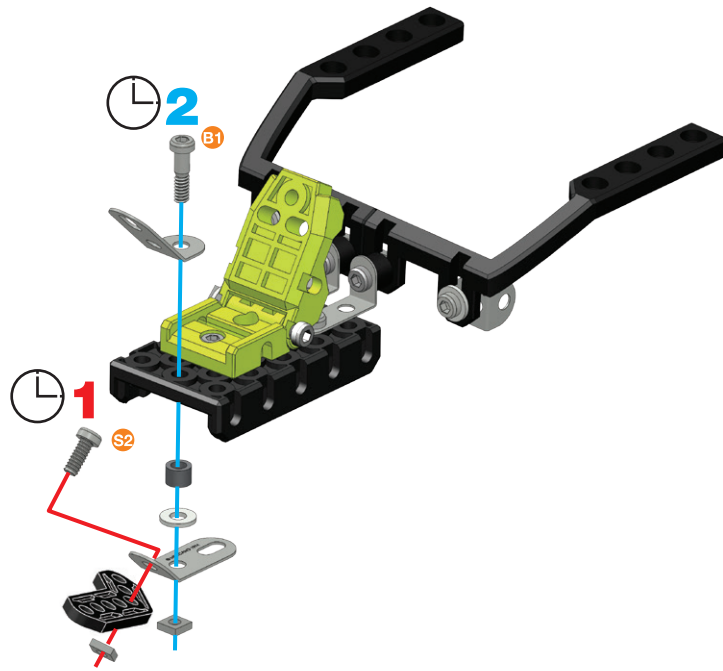
- 3**
- x1
 - x1
 - 28 mm | 1 1/8 in | 1 1/8 po x1
 - 9.5 mm | 3/8 in | 3/8 po x1
 - x1
 - x2
 - S6** 1:1
 - S2** 1:1



4

| | |
|--|----|
| | x1 |
| | x2 |
| | x1 |
| | x1 |
| | x1 |
| | x1 |
| | x2 |

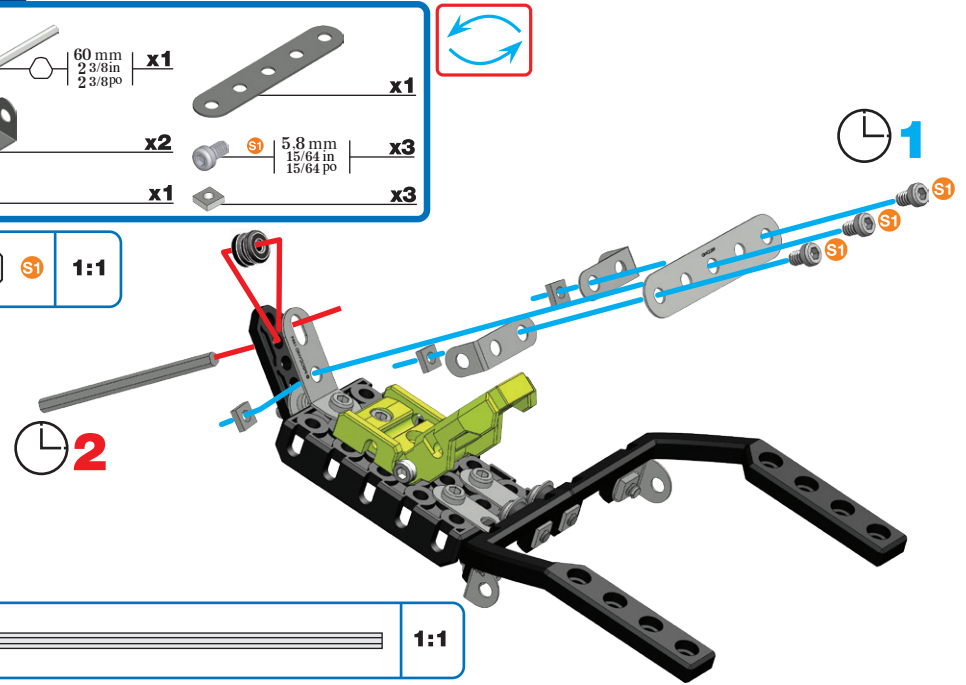
| | | |
|--|------|-----|
| | S1 | 1:1 |
| | S2 | 1:1 |
| | A338 | |



5

| | |
|--|----|
| | x1 |
| | x1 |
| | x2 |
| | x1 |
| | x3 |
| | x3 |

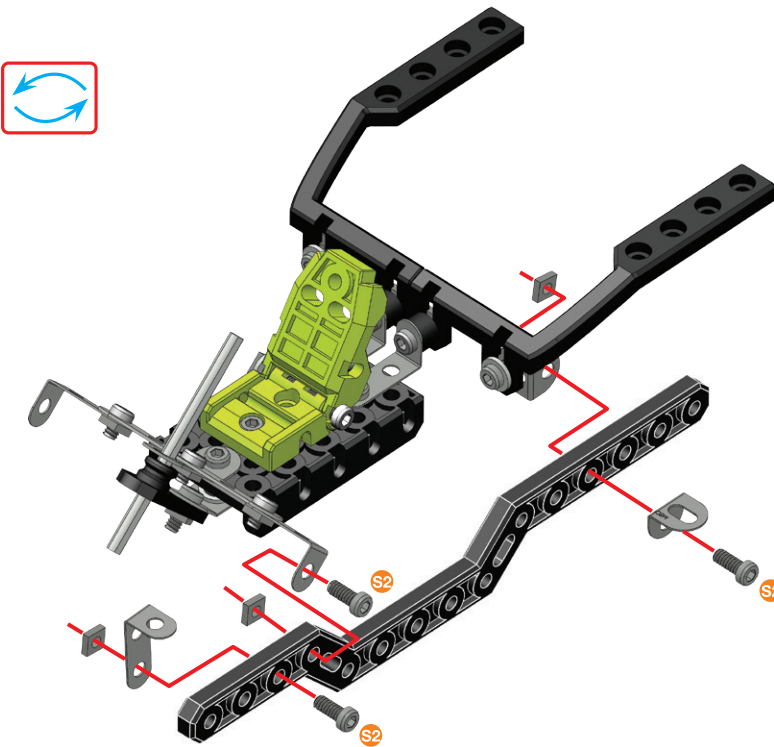
| | | |
|--|----|-----|
| | S1 | 1:1 |
|--|----|-----|



6

| | |
|--|----|
| | x1 |
| | x1 |
| | x1 |
| | x3 |
| | x3 |

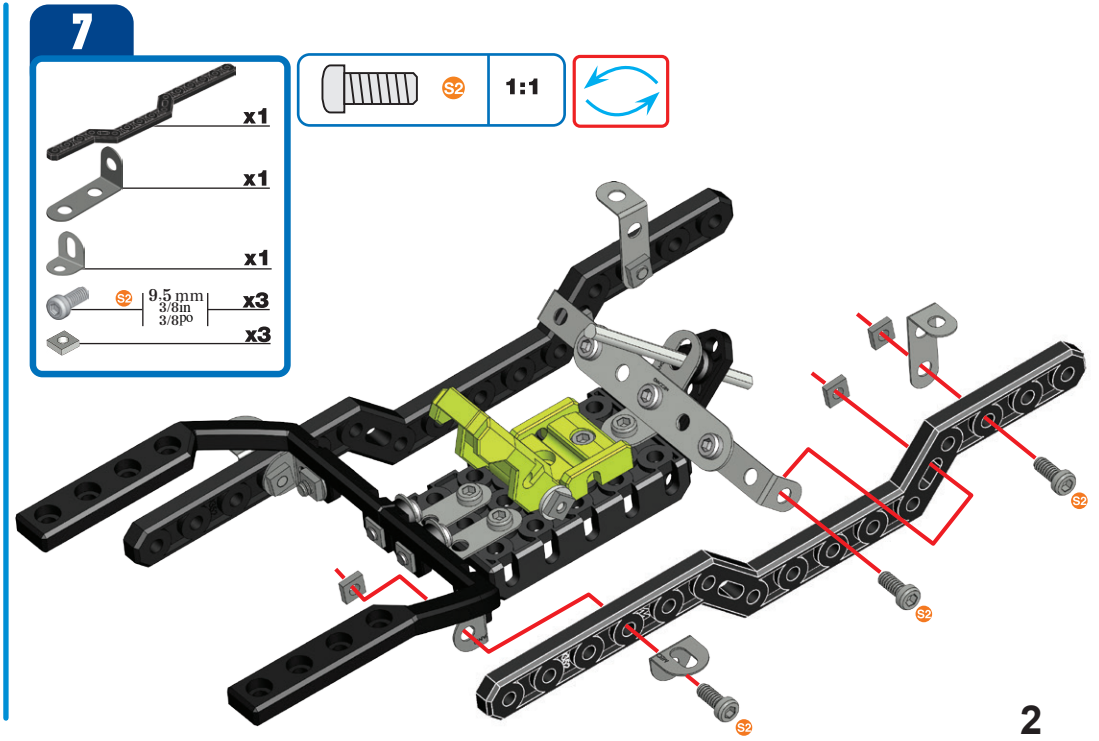
| | | |
|--|----|-----|
| | S2 | 1:1 |
|--|----|-----|













7

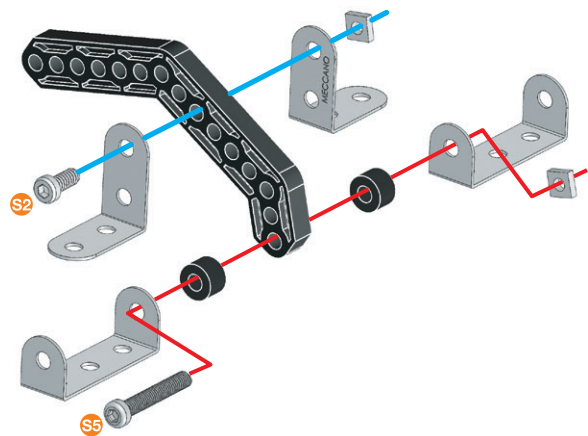
| | |
|--|----|
| | x1 |
| | x1 |
| | x1 |
| | x3 |
| | x3 |

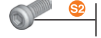


| | | |
|--|----|-----|
| | S2 | 1:1 |
|--|----|-----|

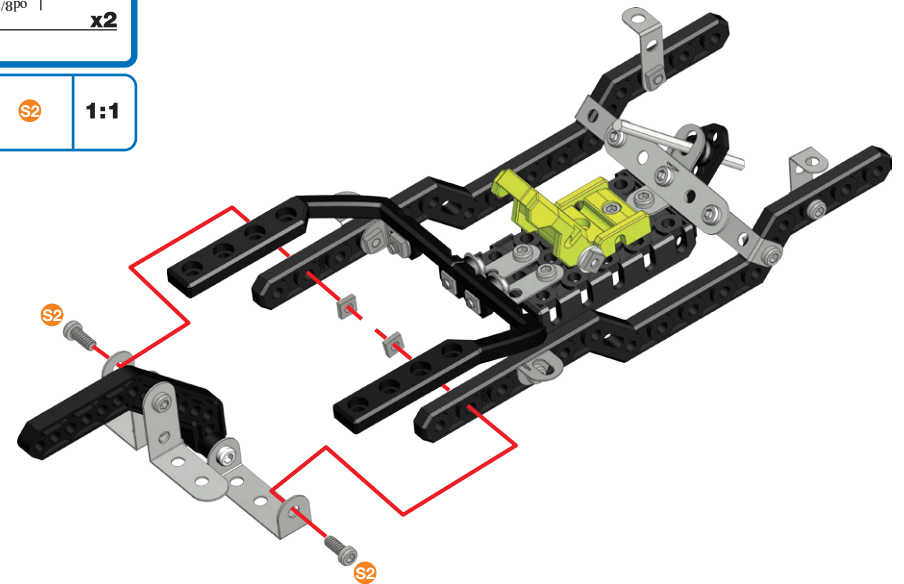


- 8**
-  x1
 -  x2
 -  x2
 -  x2
 -  x1
 -  x1
 -  x2

-  S5
 -  S2
 -  A238
- 1:1

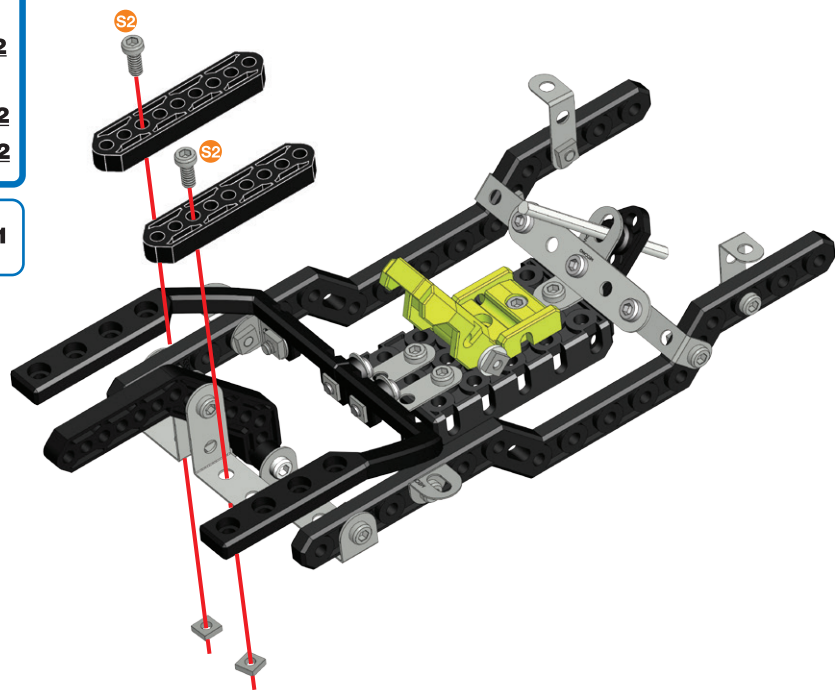




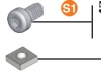


- 9** (7)+(8)+
-  S2 x2
 -  x2
 -  S2 1:1



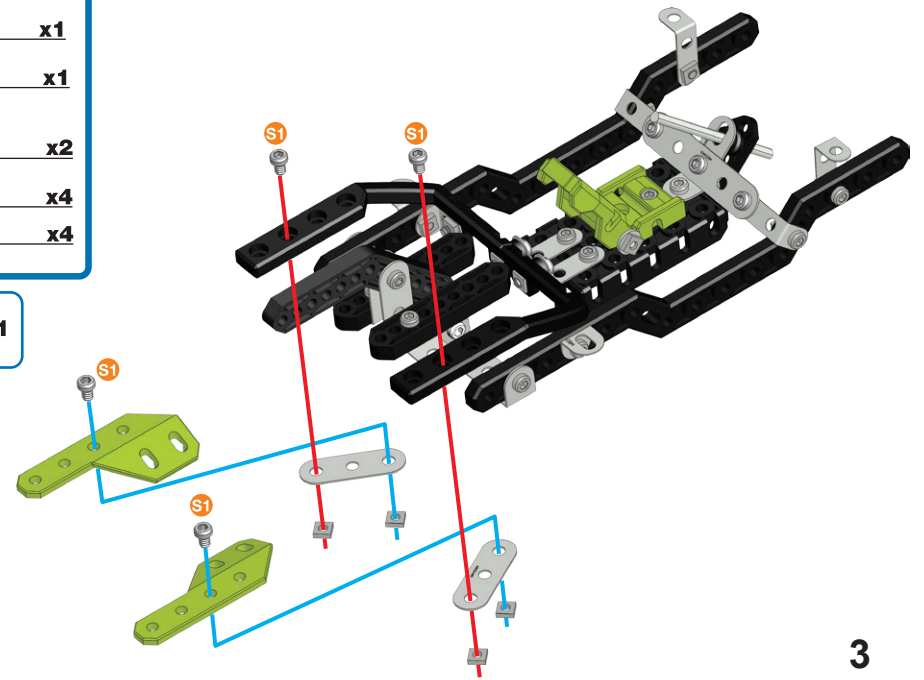
- 10**
-  x2
 -  S2 x2
 -  x2

-  S2 1:1



- 11**
-  x1
 -  x1
 -  x2
 -  S1 x4
 -  x4

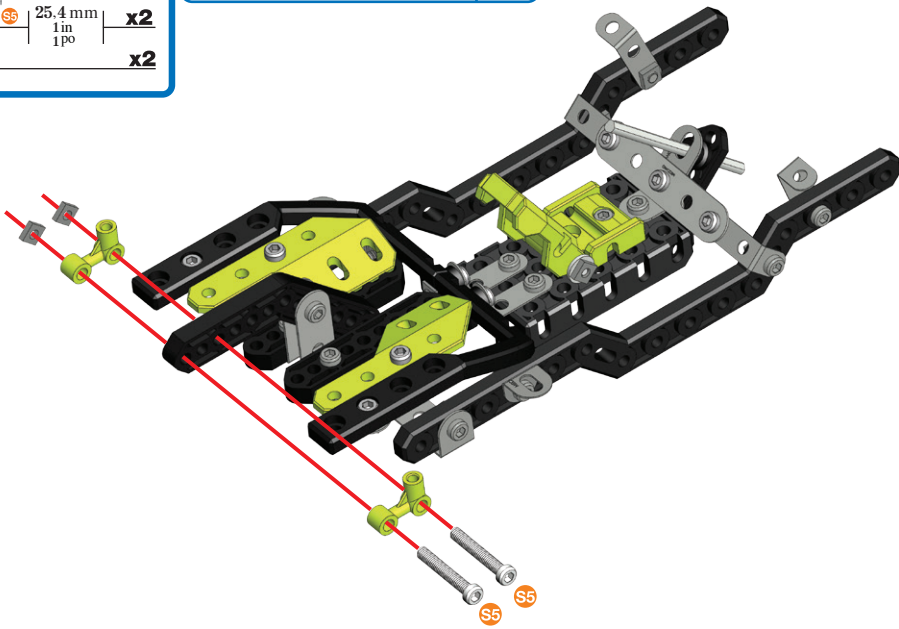
-  S1 1:1



12

- x2
- 25.4 mm | 1 in | 1 po | x2
- x2

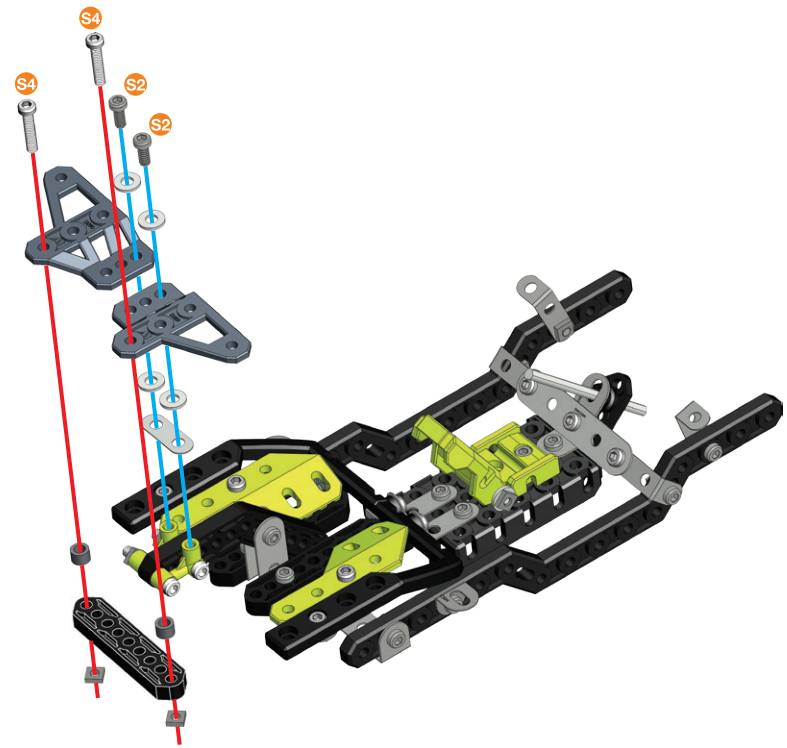
- S5 | 1:1



13

- x1
- x1
- x1
- x1
- x4
- x2
- 9.5 mm | 3/8 in | 3/8 po | x2
- 19 mm | 3/4 in | 3/4 po | x2
- x2

- S4 | 1:1
- S2 | 1:1
- A338

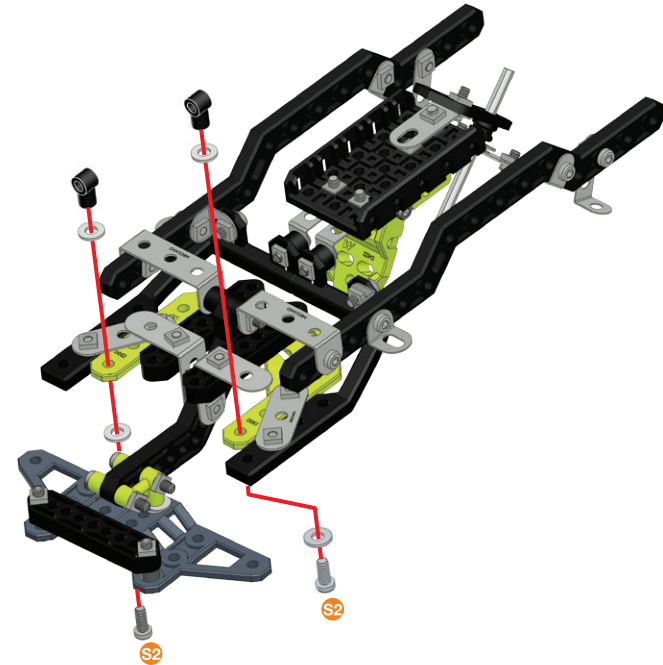


14

- x2
- x4
- 9.5 mm | 3/8 in | 3/8 po | x2



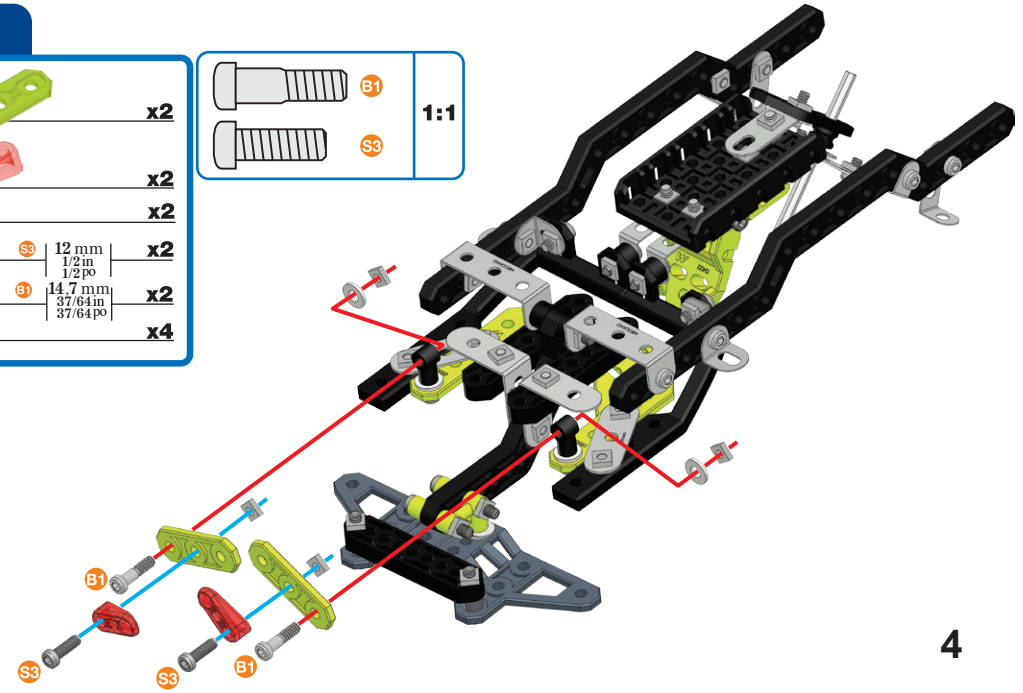
- S2 | 1:1



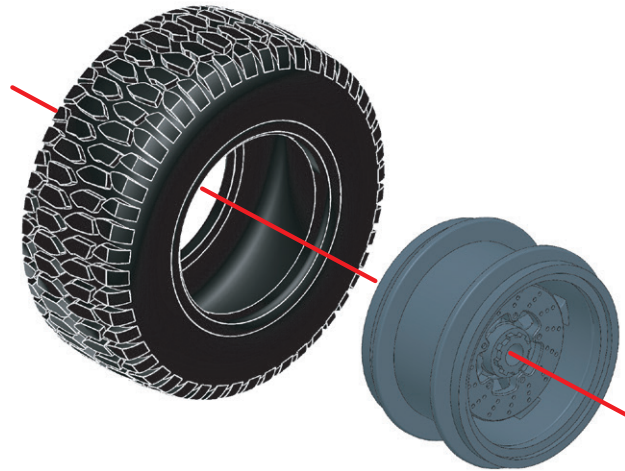
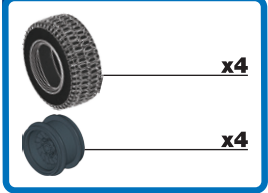
15

- x2
- x2
- x2
- 12 mm | 1/2 in | 1/2 po | x2
- 14.7 mm | 37/64 in | 37/64 po | x2
- x4

- B1 | 1:1
- S3 | 1:1



16

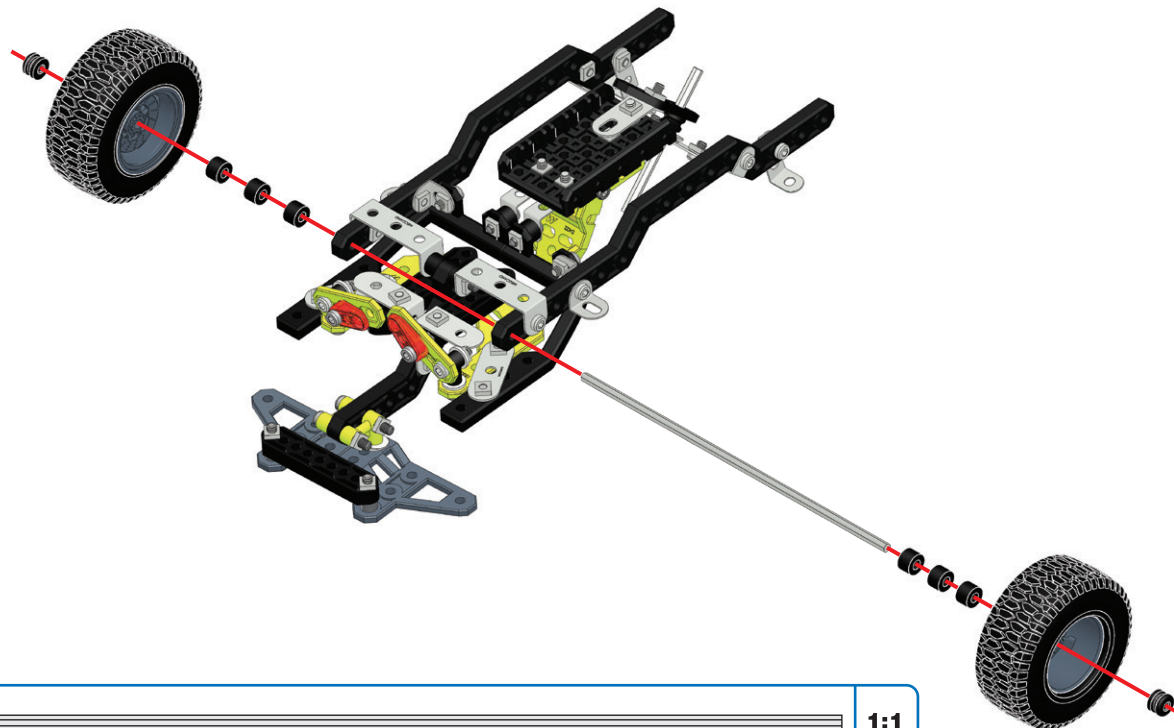
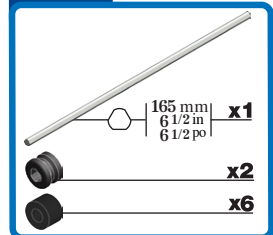


x4




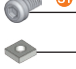


17

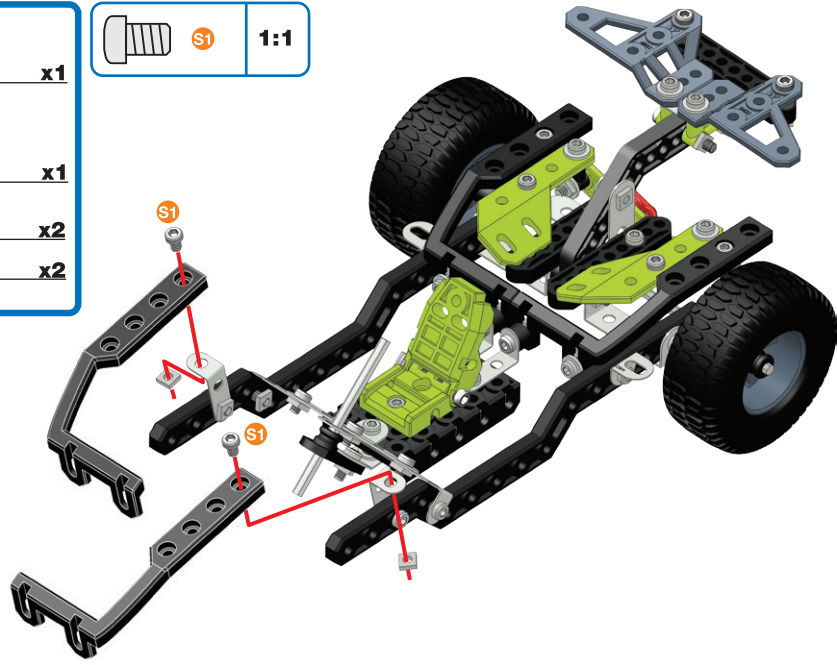
(15) + (16) +









18

-  x1
-  x1
-  S1 5.8 mm | 15/64 in | 15/64 po x2
-  x2

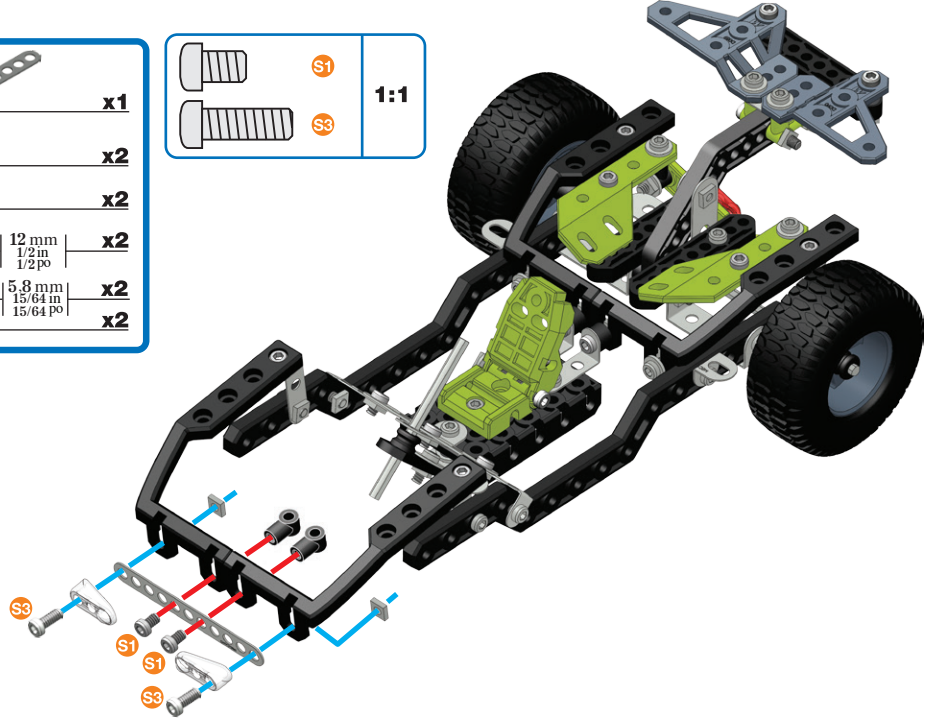
-  S1 1:1








19



-  x1
-  x2
-  x2
-  S3 12 mm | 1/2 in | 1/2 po x2
-  S1 5.8 mm | 15/64 in | 15/64 po x2
-  x2

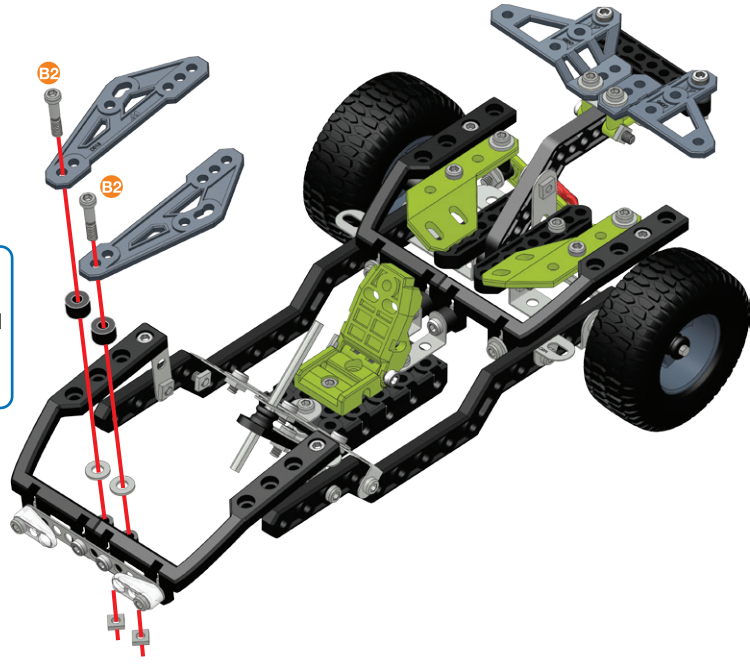
-  S1 1:1
-  S3



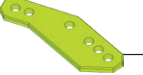



20

-  x2
-  x2
-  x2
-  B2 19 mm | 3/4 in | 3/4 po x2
-  x2

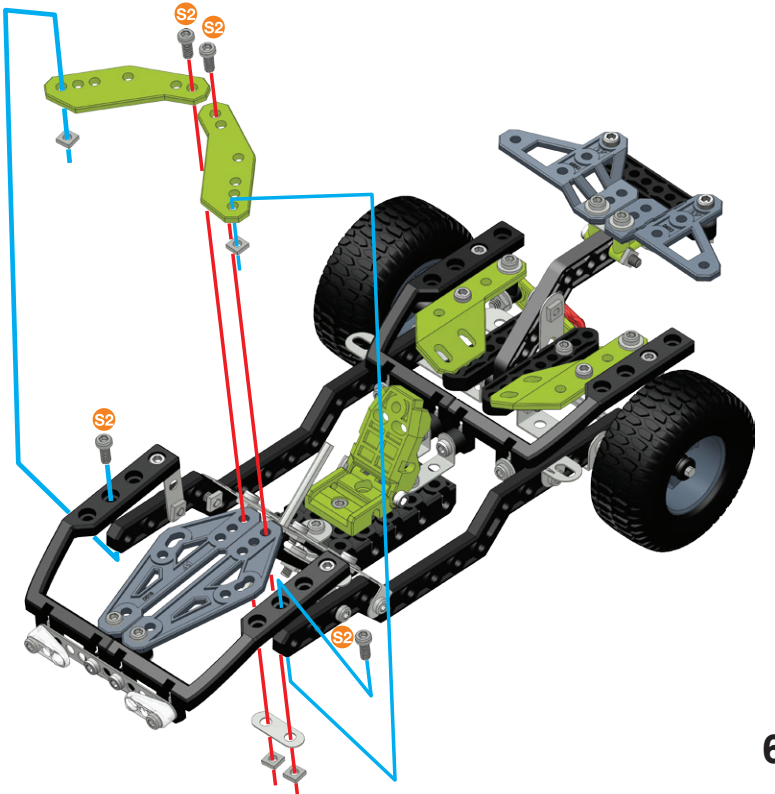
-  B2 1:1
-  A238



21

-  x2
-  x1
-  S2 9.5 mm | 3/8 in | 3/8 po x4
-  x4

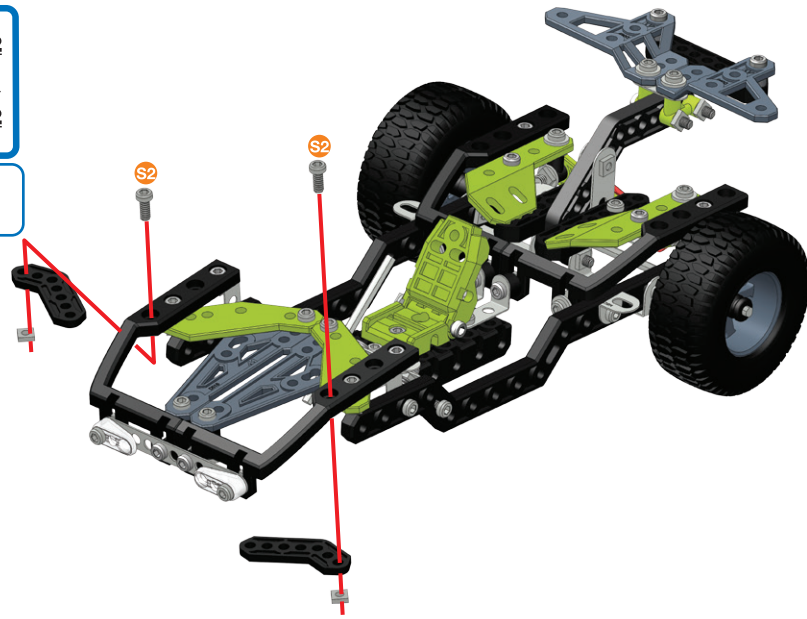
-  S2 1:1



22

- x2
- x2
- x2

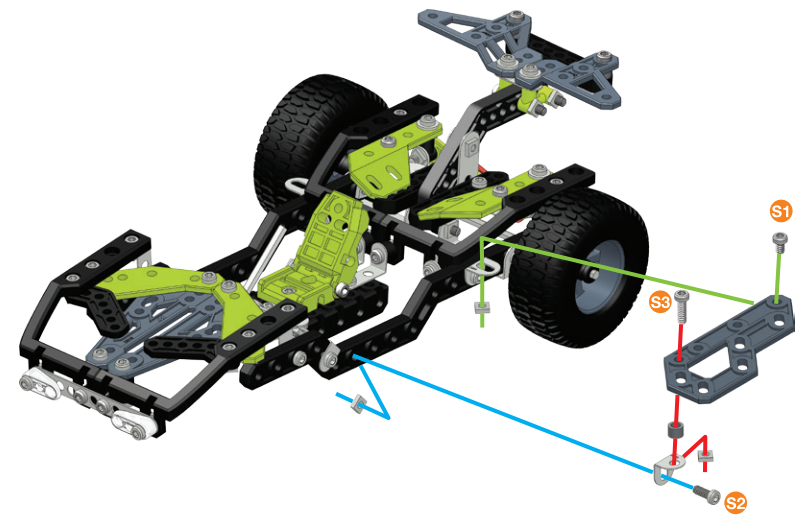
- 1:1



23

- x1
- x1
- x1
- x1
- x3

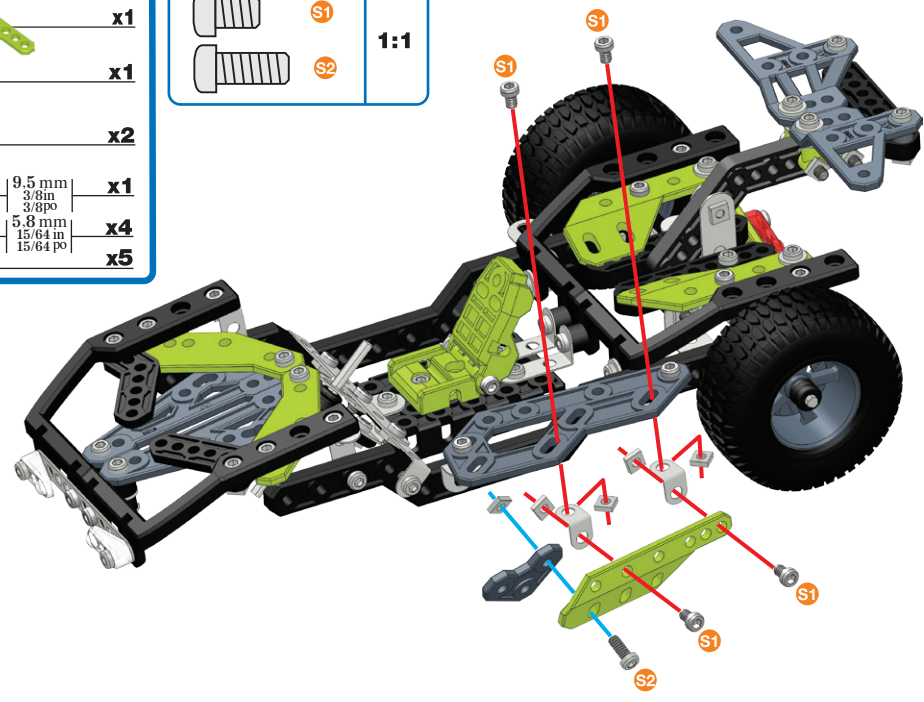
- 1:1
- 1:1
- 1:1
- A338



24

- x1
- x1
- x2
- x1
- x4
- x5

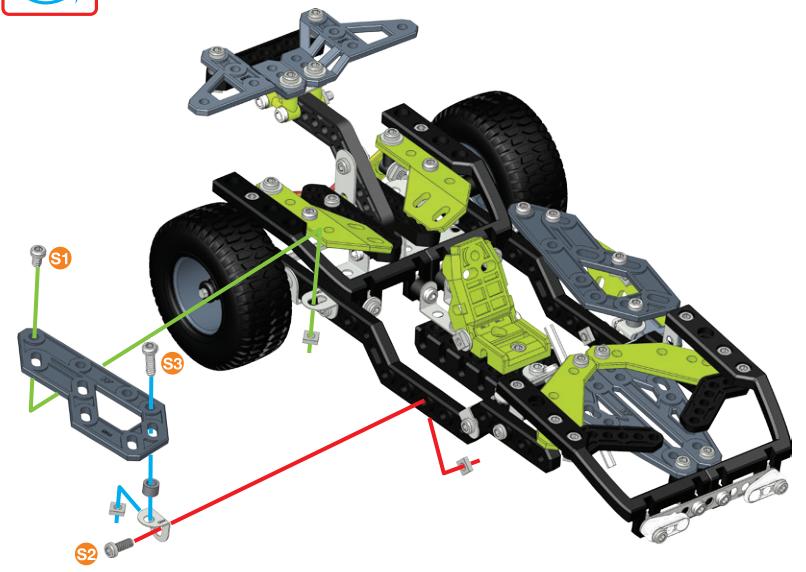
- 1:1
- 1:1









25

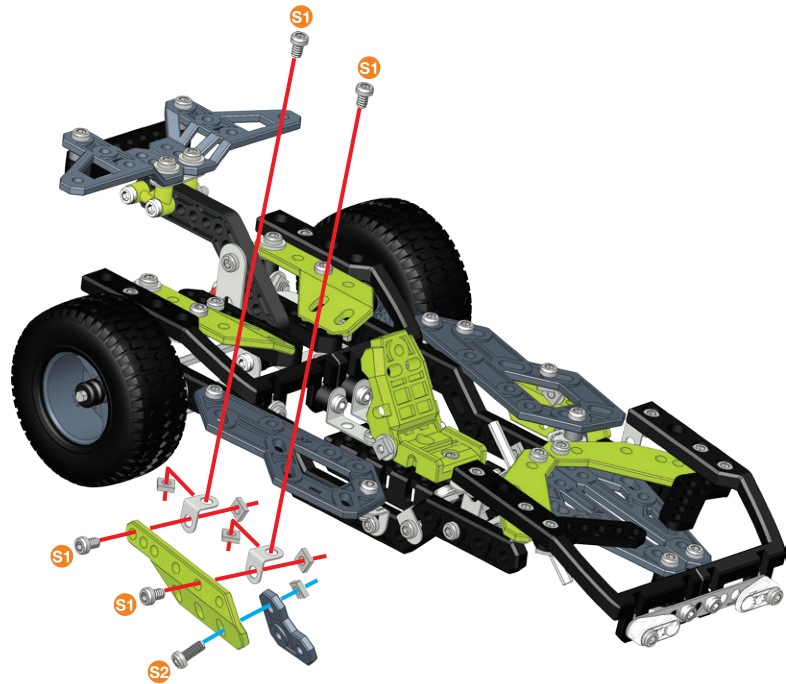
- x1
- x1
- x1
- x1
- x3

- 1:1
- 1:1
- 1:1
- A338



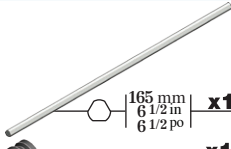





26

-  x1
-  x1
-  x2
-  S2 9.5 mm x1
3/8 in
3/8 po
-  S1 5.8 mm x4
15/64 in
15/64 po
-  x5



27

16 + 25 +

-  165 mm x1
6 1/2 in
6 1/2 po
-  x1
-  x8
-  x1
-  x2
-  x1

