



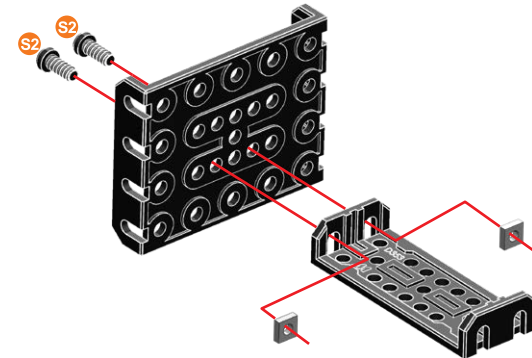






1

-  | 9.5 mm | x2
3/8"
-  | x2
-  | x1
-  | x1

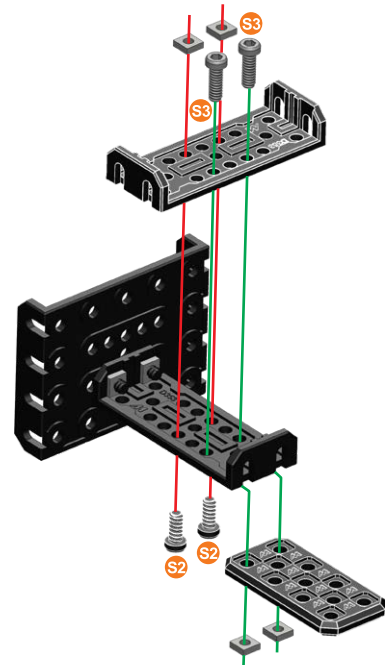
-  | 1:1



2

-  | 9.5 mm | x2
3/8"
-  | 12 mm | x2
1/2"
-  | x4
-  | x1
-  | x1

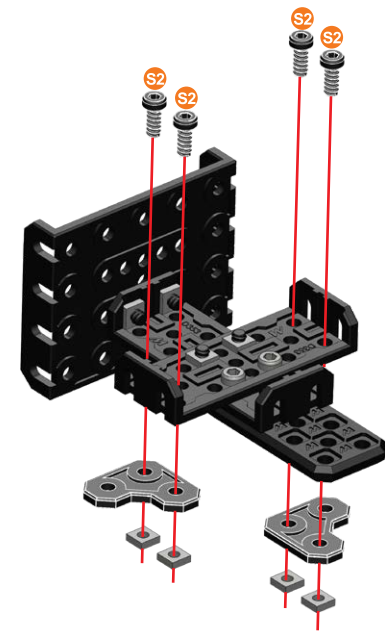
-  | 1:1
-  | 1:1



3

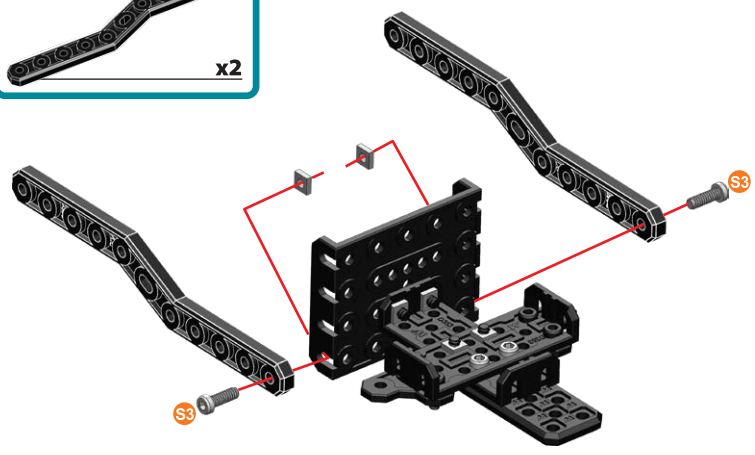
-  | 9.5 mm | x4
3/8"
-  | x4
-  | x2

-  | 1:1



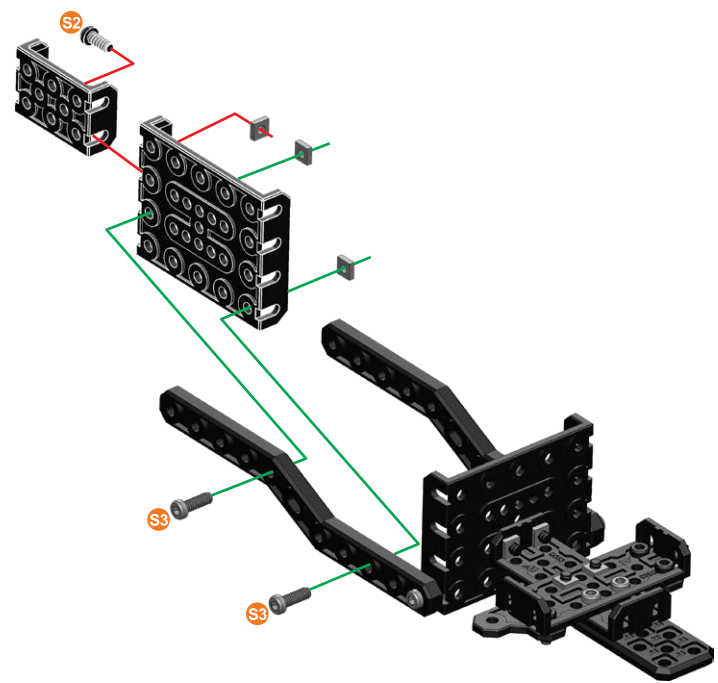
4

- 12 mm | 1/2" | **x2**
- x2**
- x2**
- 1:1**



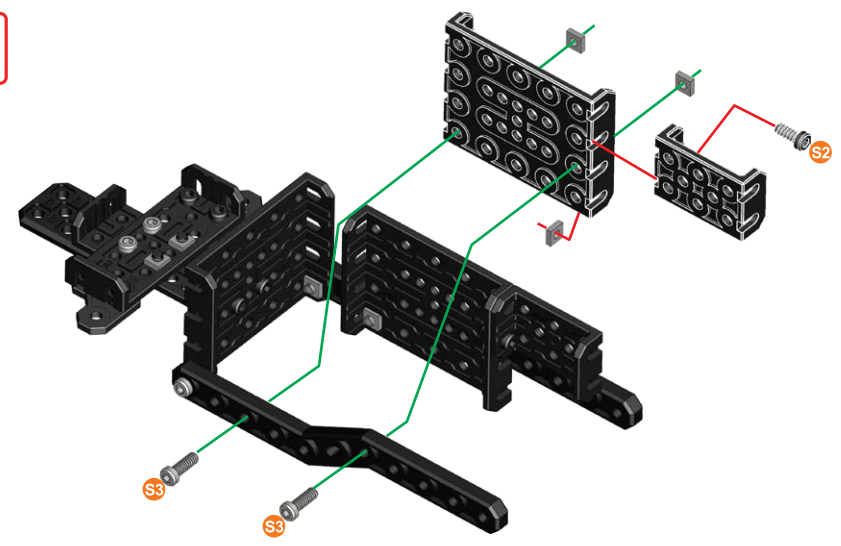
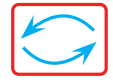
5

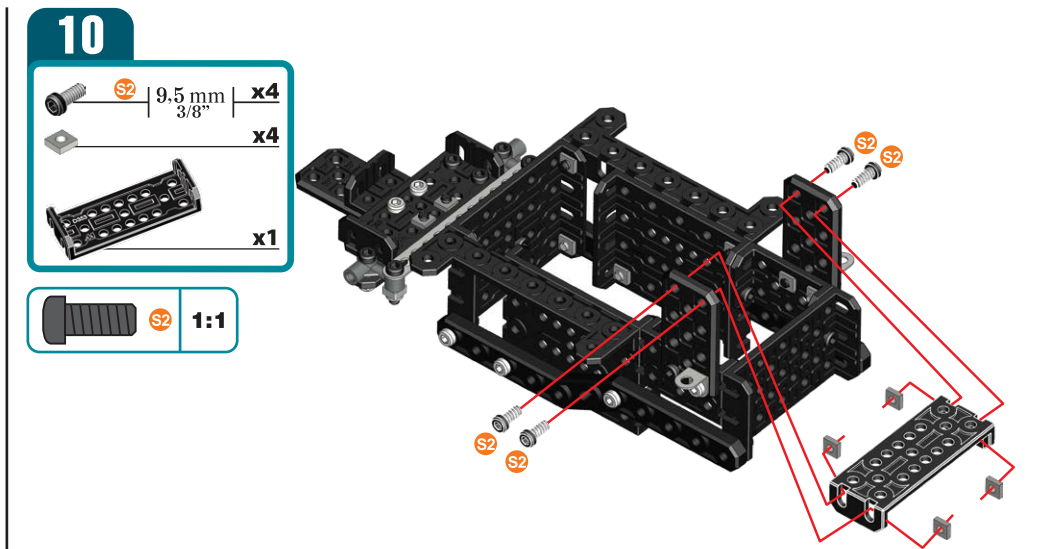
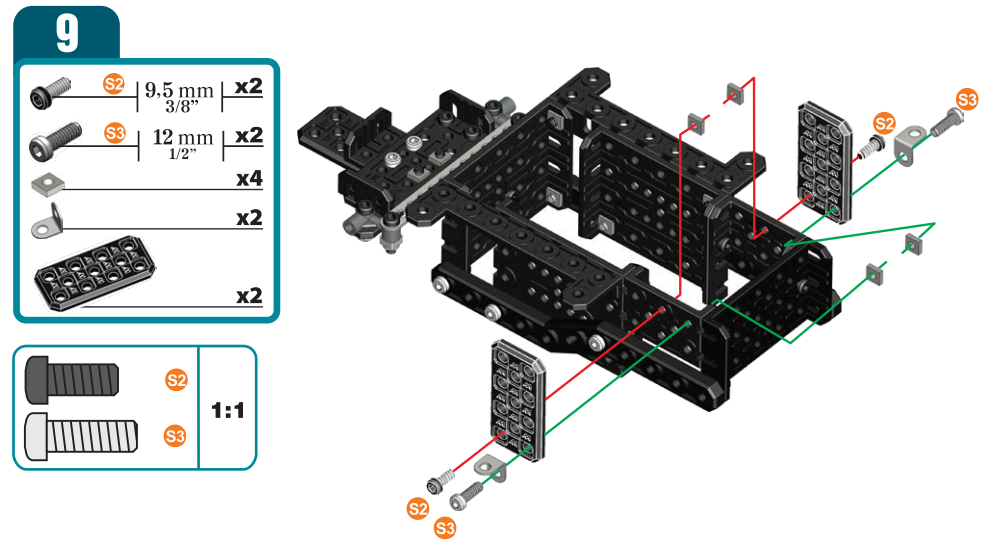
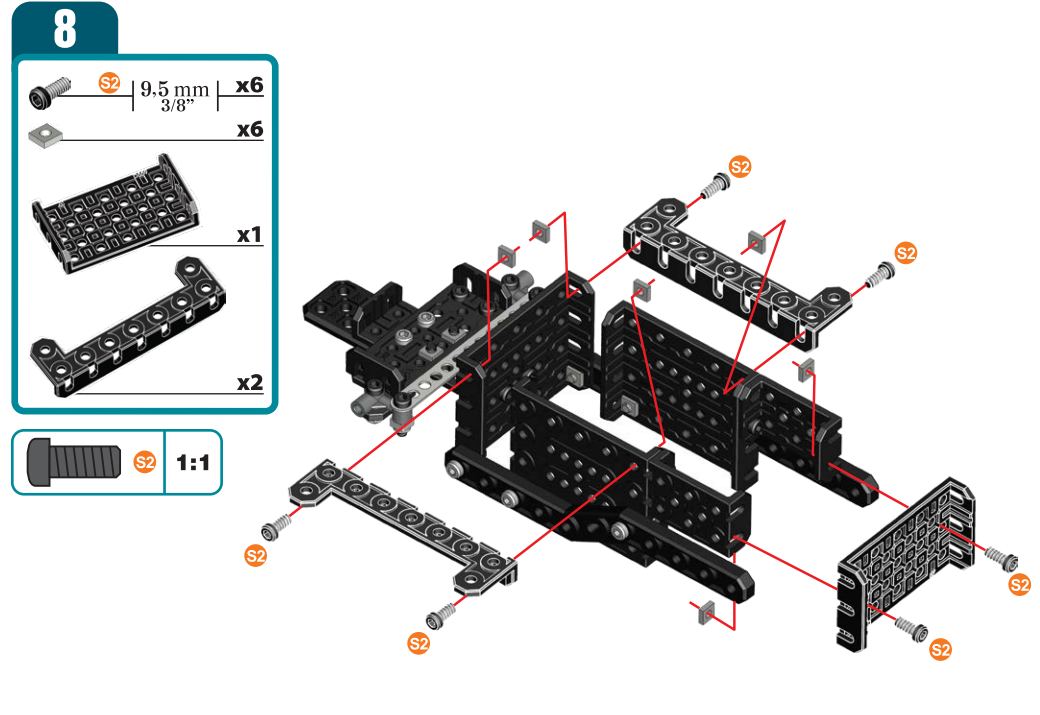
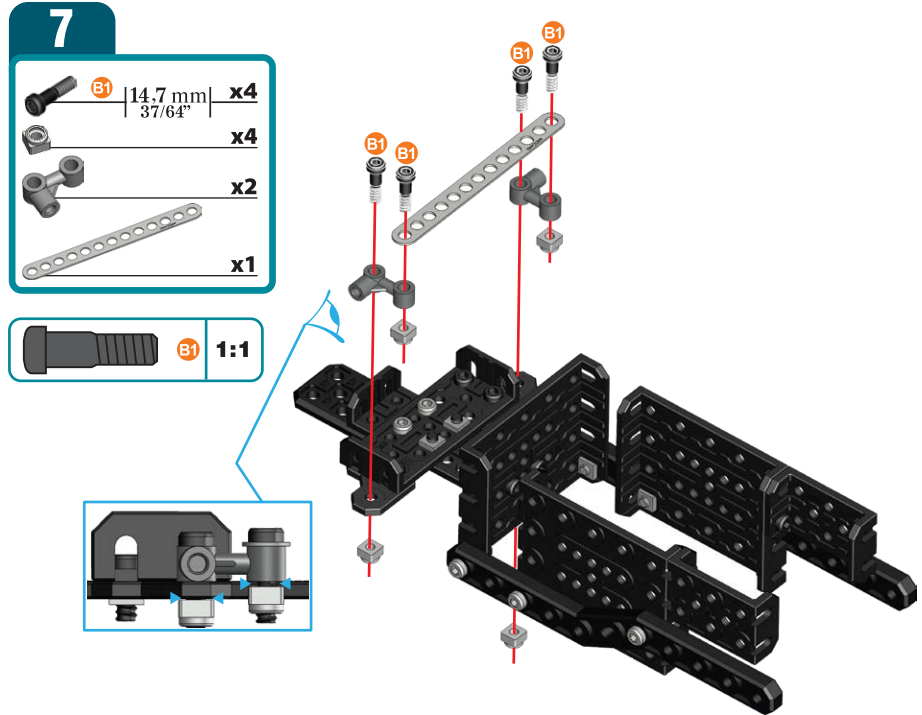
- 9.5 mm | 3/8" | **x1**
- 12 mm | 1/2" | **x2**
- x3**
- x1**
- x1**
- 1:1**
- 1:1**








6



- 9.5 mm | 3/8" | **x1**
- 12 mm | 1/2" | **x2**
- x3**
- x1**
- x1**
- 1:1**
- 1:1**

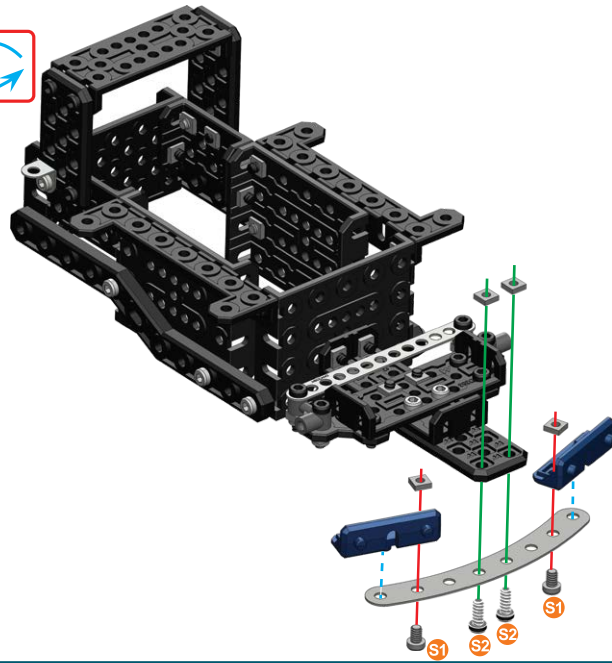








11

-  **S1** | 5.8 mm | **x2**
15/64"
-  **S2** | 9.5 mm | **x2**
3/8"
-  | **x4**
-  | **x2**
-  | **x1**

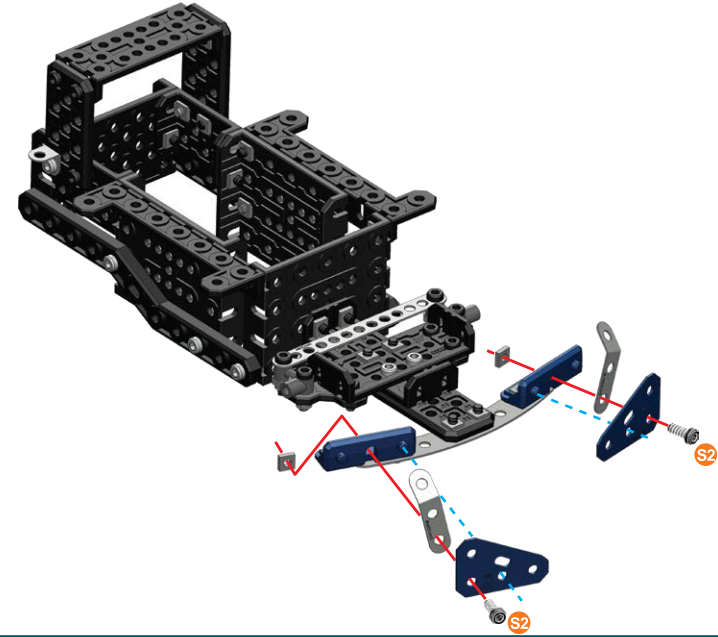
-  **S1**
-  **S2**
- 1:1**












12




-  **S2** | 9.5 mm | **x2**
3/8"
-  | **x2**
-  | **x2**
-  | **x2**

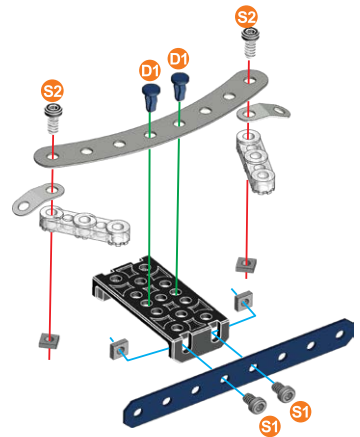
-  **S2**
- 1:1**





13

-  **S1** | 5.8 mm | **x2**
15/64"
-  **S2** | 9.5 mm | **x2**
3/8"
-  | **x4**
-  **D1** | 11.25mm | **x2**
7/16"
-  | **x2**
-  | **x1**
-  | **x2**
-  | **x1**
-  | **x1**

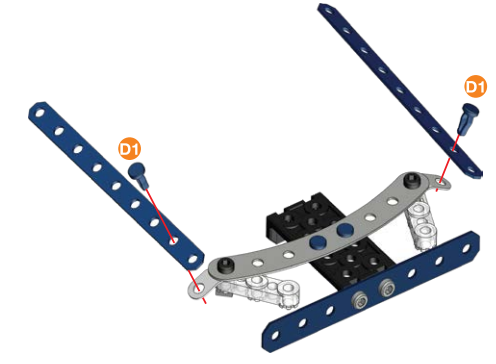
-  **S1**
-  **S2**
-  **D1**
- 1:1**



14






-  **D1** | 11.25mm | **x2**
7/16"
-  | **x2**



-  **D1**
- 1:1**

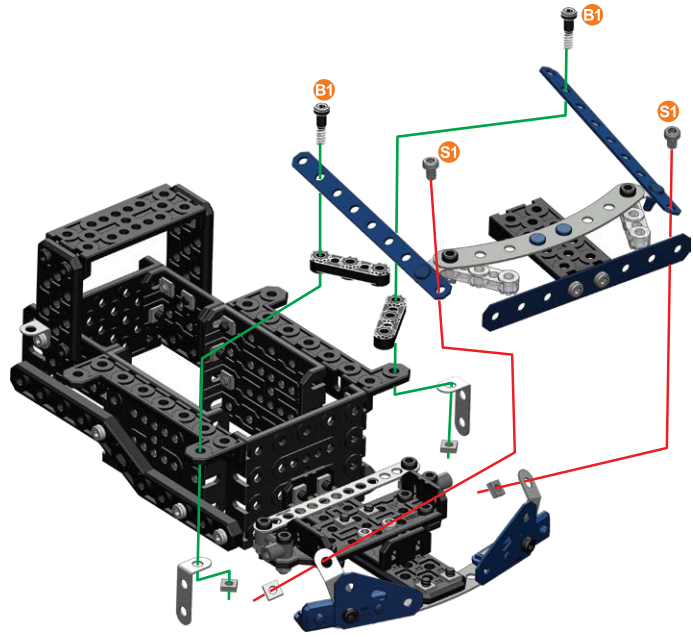


15






(12)+(14)+

-  S1 | 5.8 mm | 15/64" | x2
-  B1 | 14.7 mm | 37/64" | x2
-  | x4
-  | x2
-  | x2

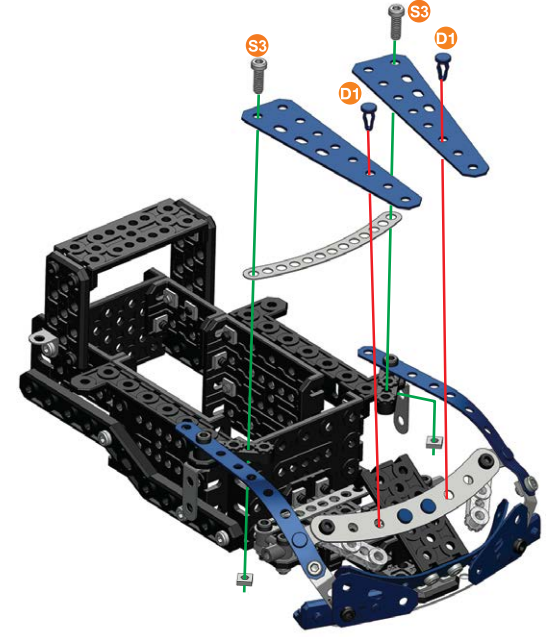
-  S1 | 1:1
-  B1 | 1:1







16

-  S3 | 12 mm | 1/2" | x2
-  | x2
-  D1 | 11.25mm | 7/16" | x2
-  | x1
-  | x2

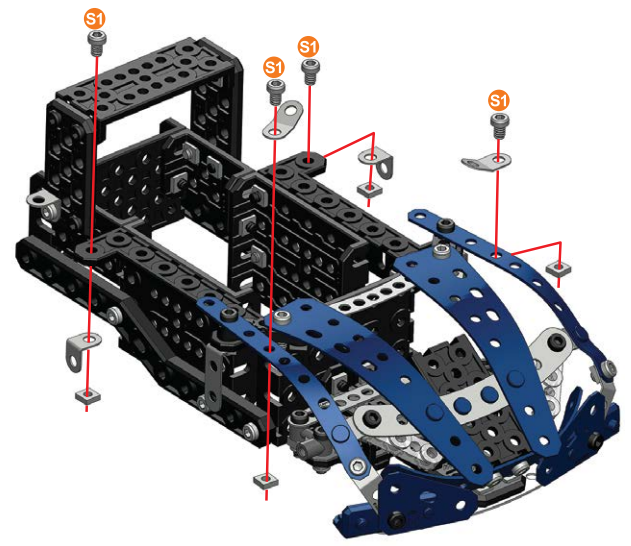
-  S3 | 1:1
-  D1 | 1:1








17

-  S1 | 5.8 mm | 15/64" | x4
-  | x4
-  | x2
-  | x2

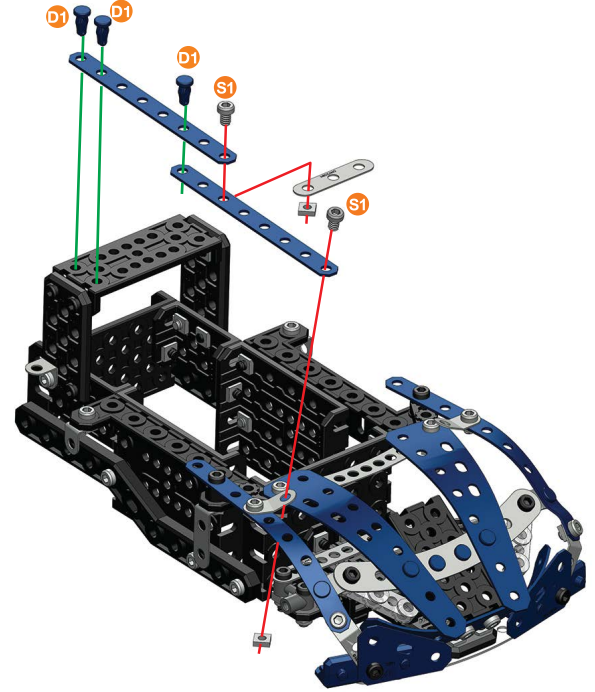
-  S1 | 1:1



18

-  S1 | 5.8 mm | 15/64" | x2
-  | x2
-  D1 | 11.25mm | 7/16" | x3
-  | x2
-  | x1

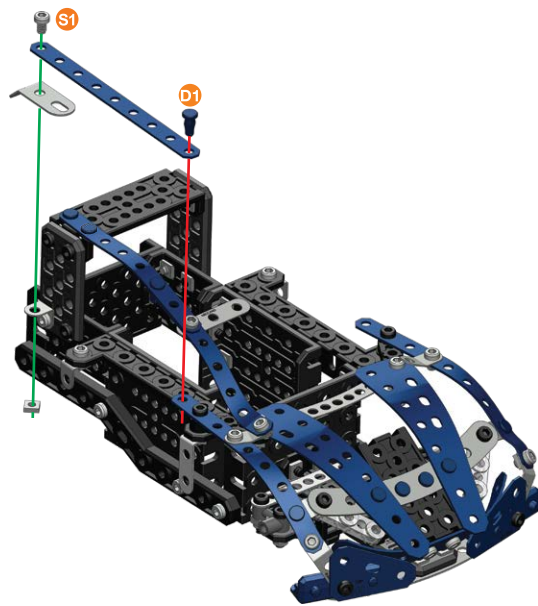
-  S1 | 1:1
-  D1 | 1:1



19

- 5.8 mm | 15/64" | **x1**
- x1**
- 11.25mm | 7/16" | **x1**
- x1**

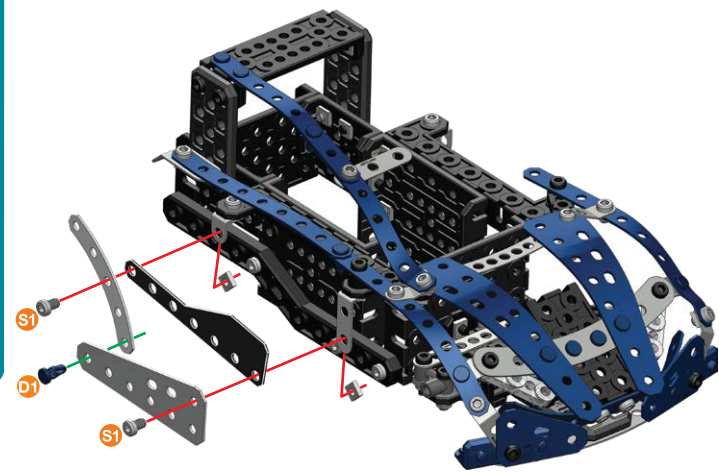
- | | | |
|--|-----------|------------|
| | S1 | 1:1 |
| | D1 | |



20

- 5.8 mm | 15/64" | **x2**
- x2**
- 11.25mm | 7/16" | **x1**
- x1**
- x1**
- x1**

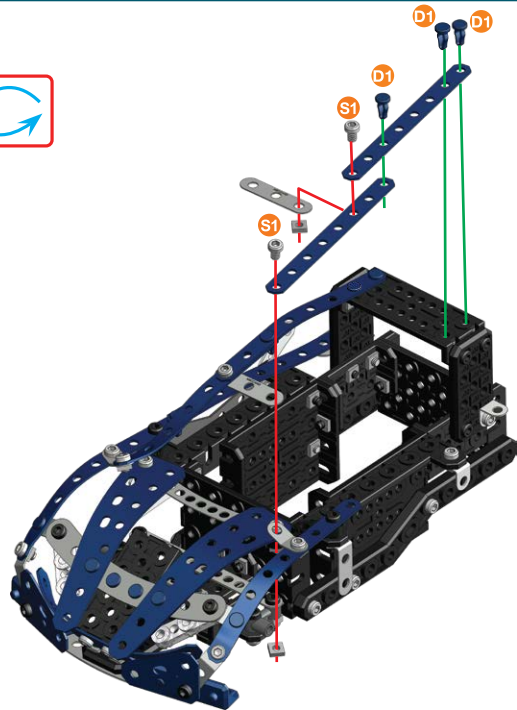
- | | | |
|--|-----------|------------|
| | S1 | 1:1 |
| | D1 | |



21

- 5.8 mm | 15/64" | **x2**
- x2**
- 11.25mm | 7/16" | **x3**
- x2**
- x1**

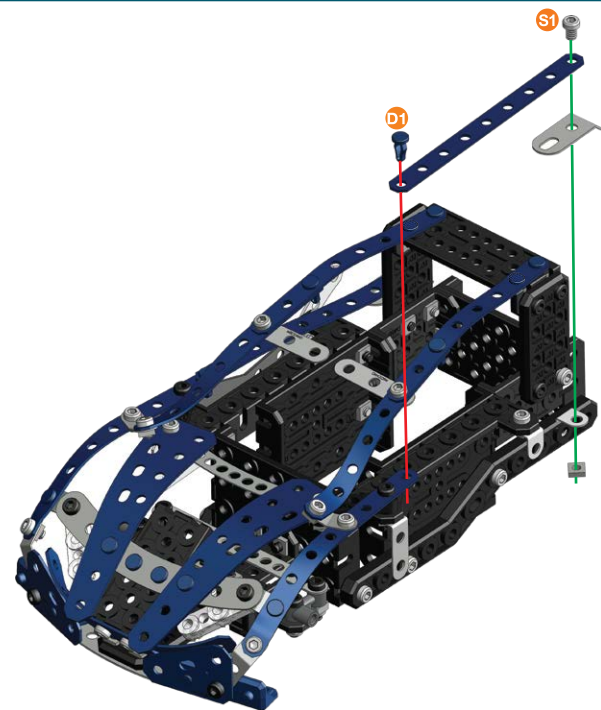
- | | | |
|--|-----------|------------|
| | S1 | 1:1 |
| | D1 | |



22

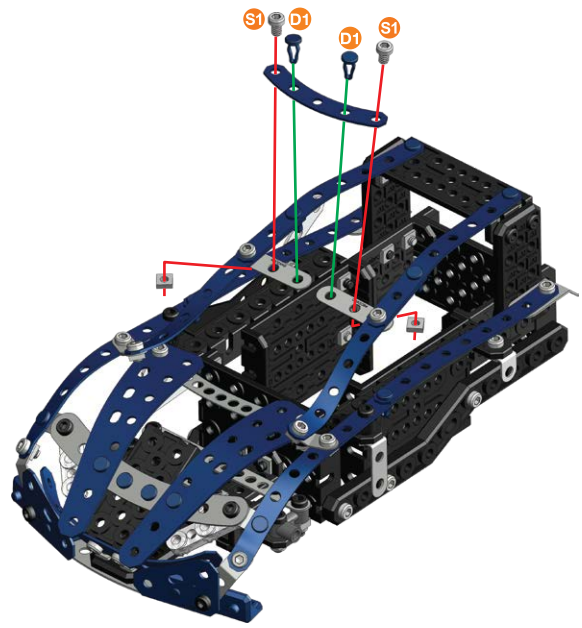
- 5.8 mm | 15/64" | **x1**
- x1**
- 11.25mm | 7/16" | **x1**
- x1**

- | | | |
|--|-----------|------------|
| | S1 | 1:1 |
| | D1 | |



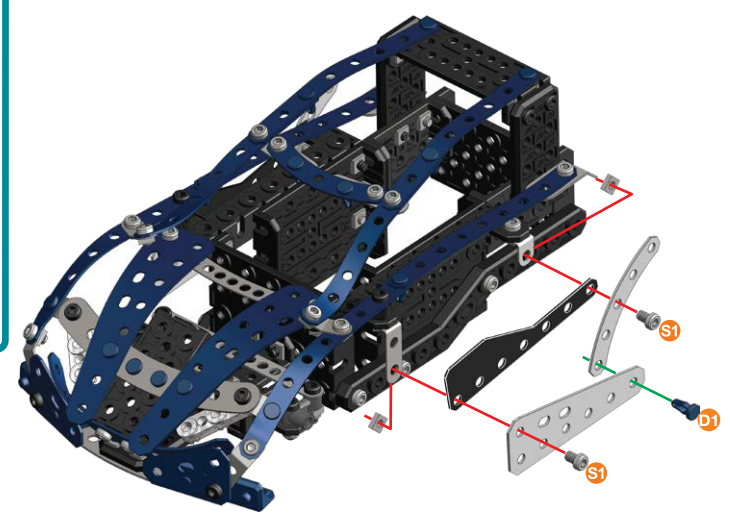
23

- S1 | 5.8 mm | x2
15/64"
- D1 | 11.25mm | x2
7/16"
- x1



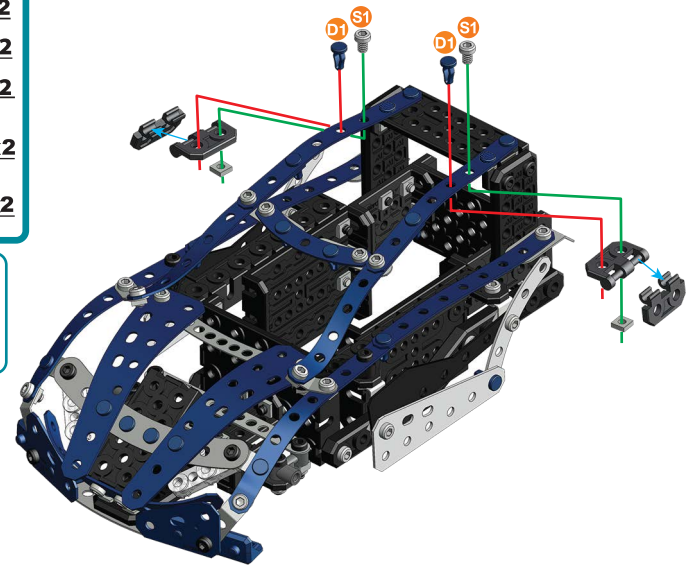
24

- S1 | 5.8 mm | x2
15/64"
- D1 | 11.25mm | x1
7/16"
- x1
- x1
- x1



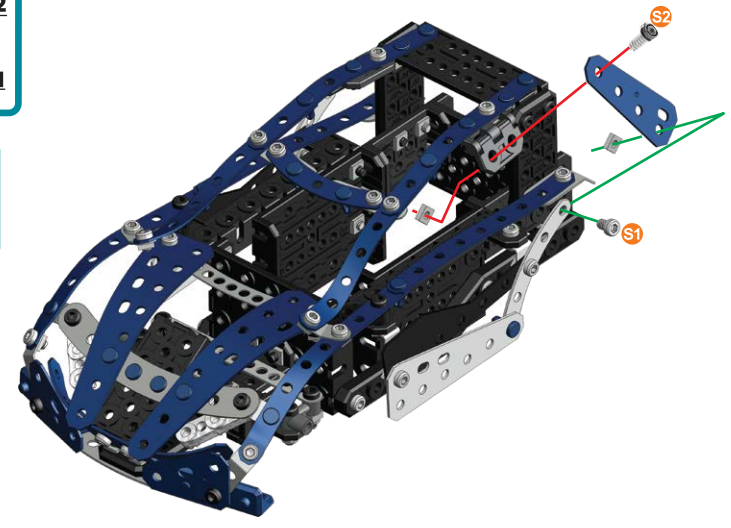
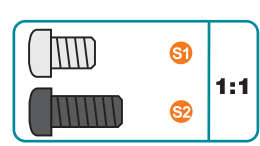
25

- S1 | 5.8 mm | x2
15/64"
- D1 | 11.25mm | x2
7/16"
- x2
- x2







26

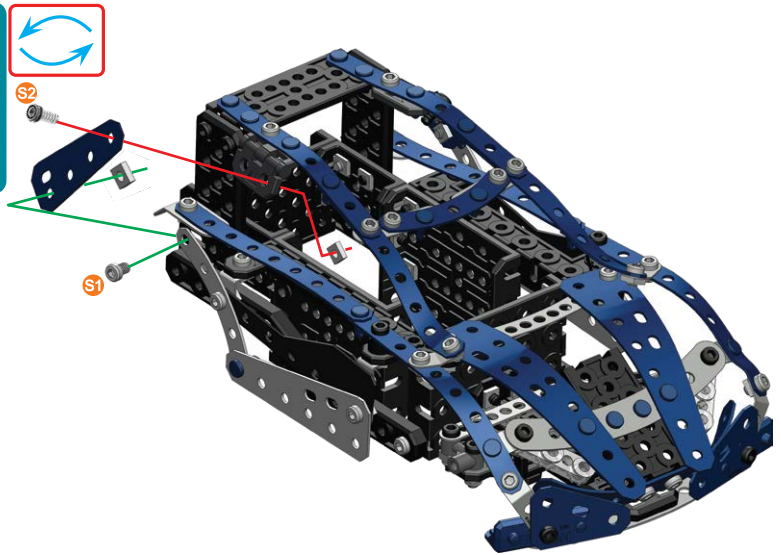
- S1 | 5.8 mm | x1
15/64"
- S2 | 9.5 mm | x1
3/8"
- x2
- x1



27

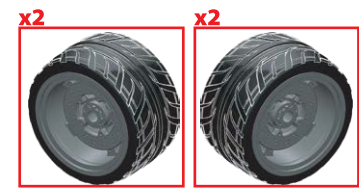
-  5.8 mm | 15/64" | **x1**
-  9.5 mm | 3/8" | **x1**
-  **x2**
-  **x1**

-  **S1**
-  **S2**
- 1:1**






28

-  **x4**
-  **x4**

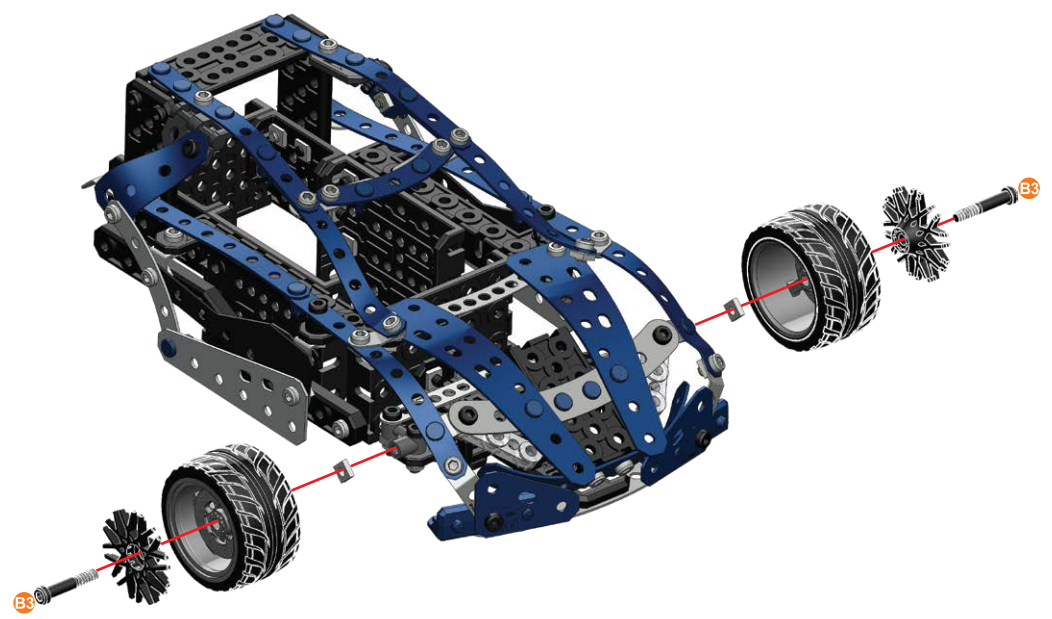


29





27+28+

-  23 mm | 15/16" | **x2**
-  **x2**
-  **x2**

-  **B3**
- 1:1**

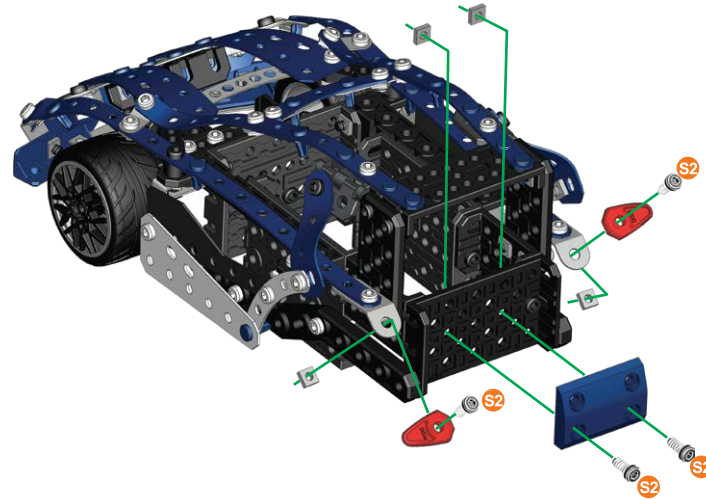


30

-  9.5 mm $\frac{3}{8}$ " x4
-  x4
-  x2
-  x1





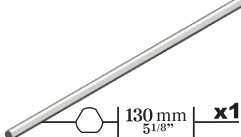


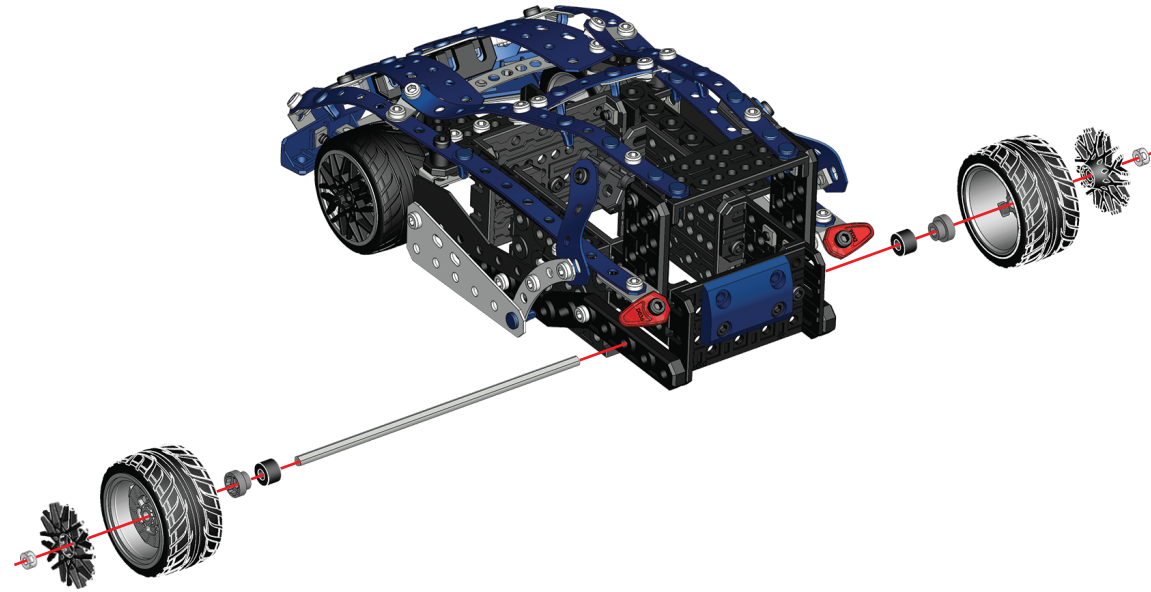
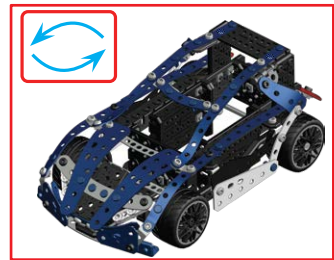
-  1:1



31

(30)+(31)+

-  x2
-  x2
-  x2
-  x2
-  130 mm $\frac{51}{8}$ " x1



-   A238 1:1

-  1:1