






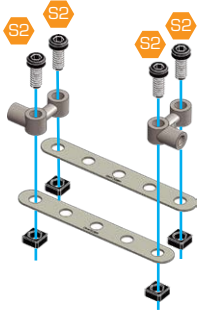


1

	x 4
	x 4
	x 2
	x 2

mm
0 5 10 15 20

 9.5 mm

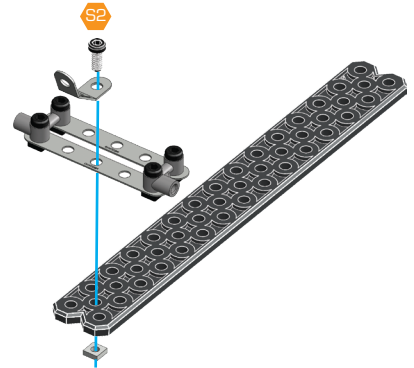


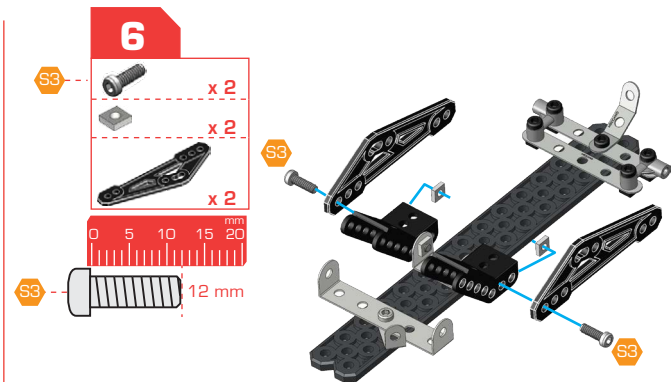
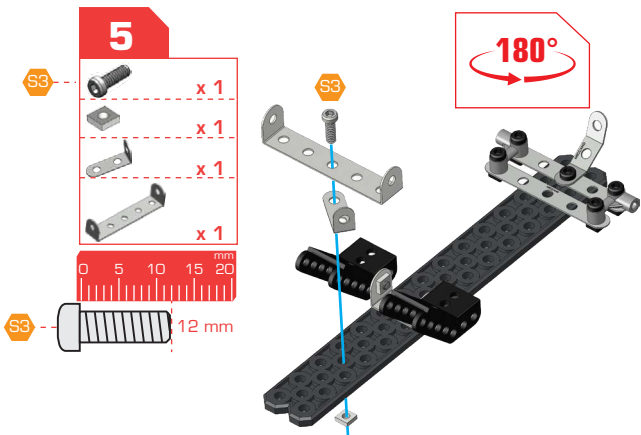
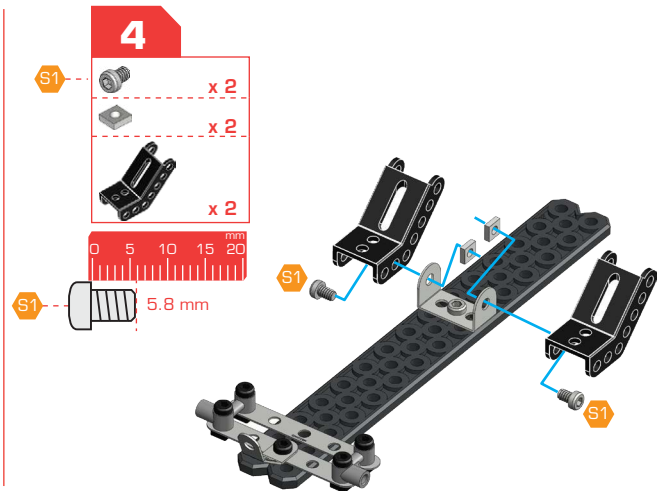
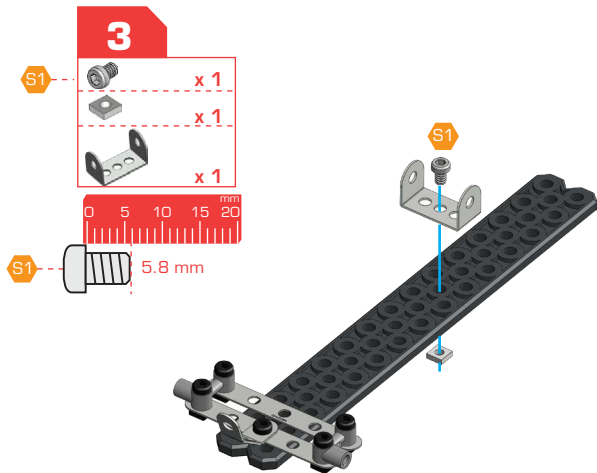
2

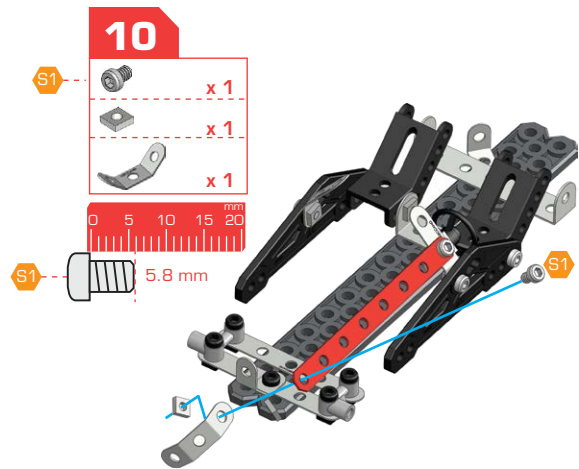
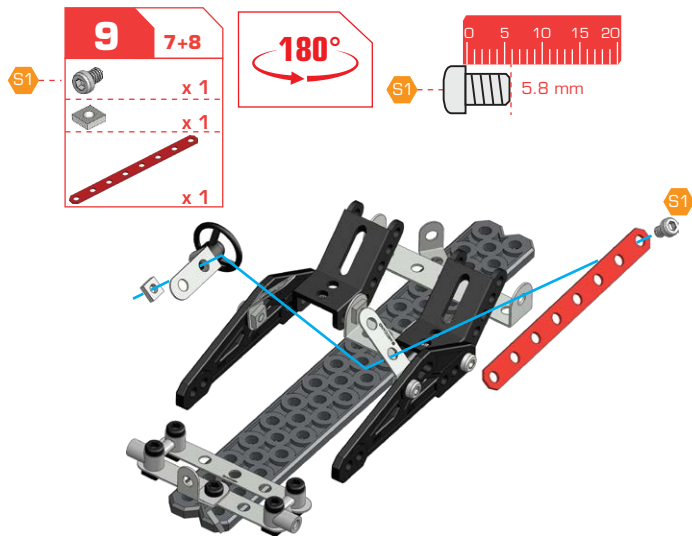
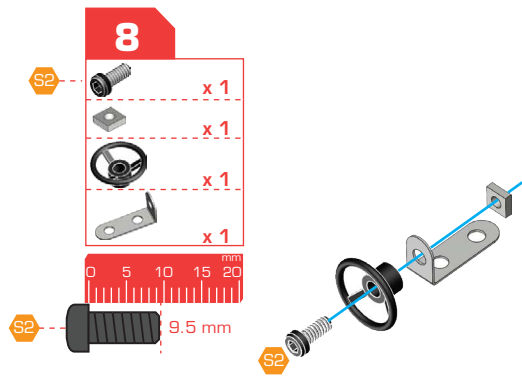
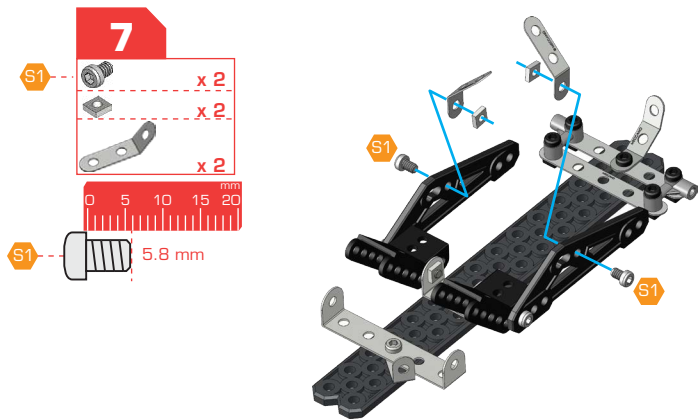
	x 1
	x 1
	x 1
	x 1

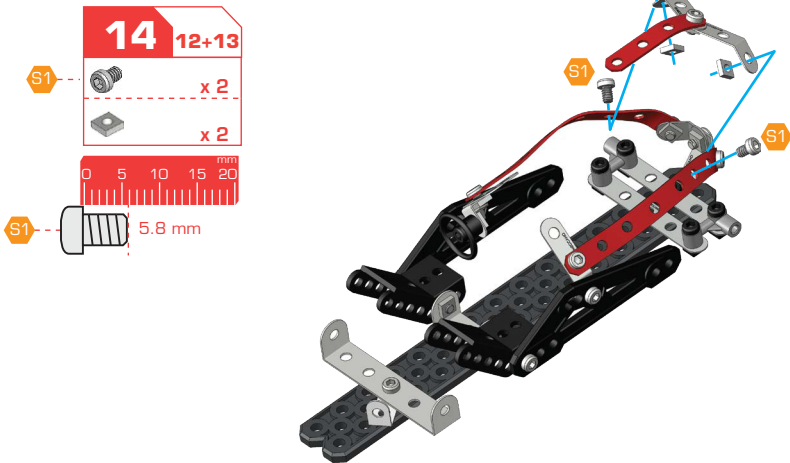
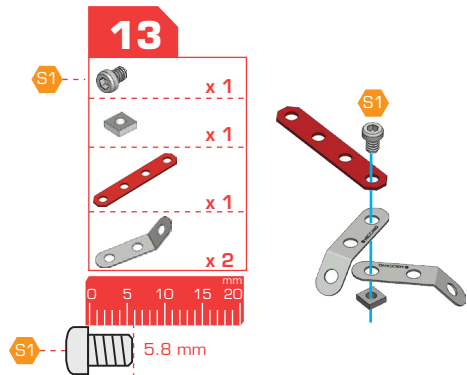
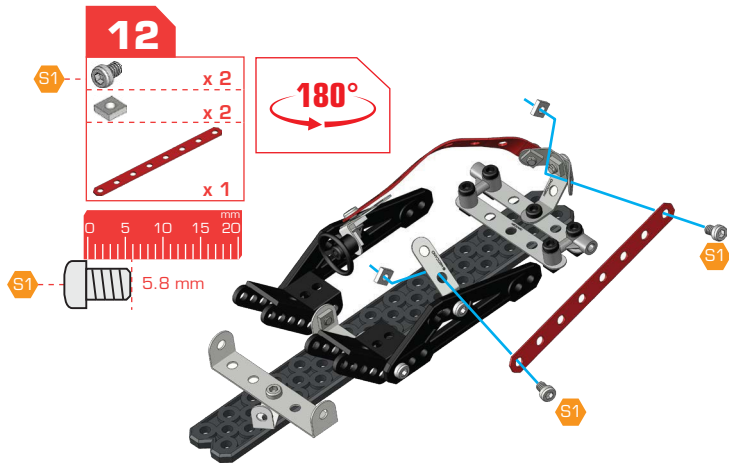
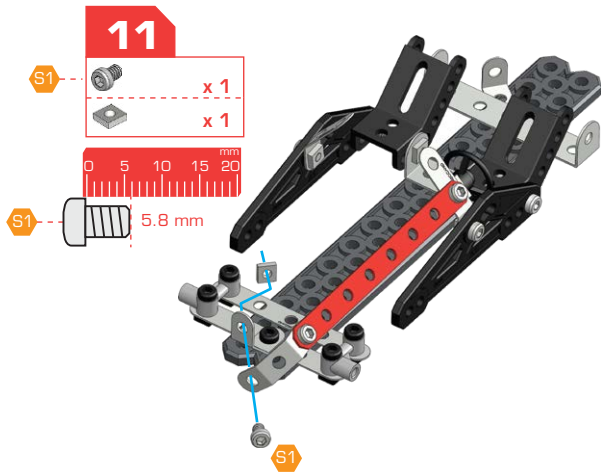
mm
0 5 10 15 20

 9.5 mm













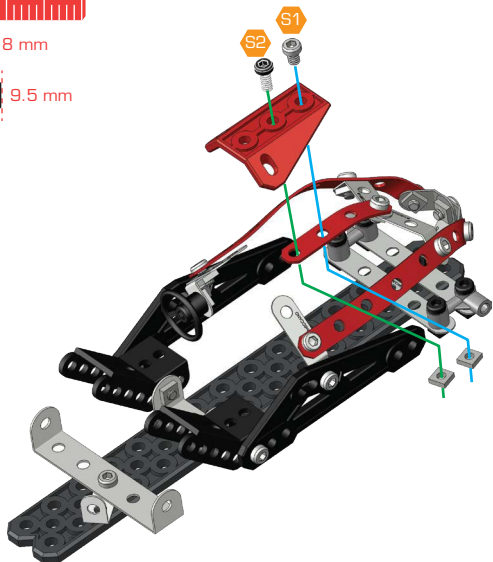


15







-  x 1
-  x 1
-  x 2
-  x 1





-  5.8 mm
-  9.5 mm

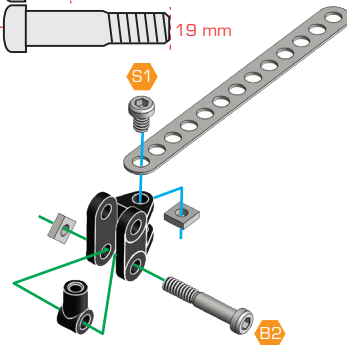


16

-  x 1
-  x 1
-  x 2
-  x 1
-  x 1
-  x 1






-  5.8 mm
-  19 mm



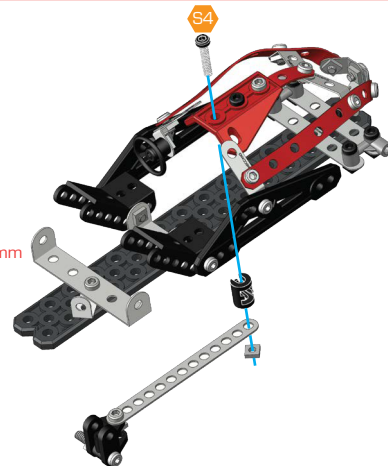
17

15+16

-  x 1
-  x 1
-  x 1

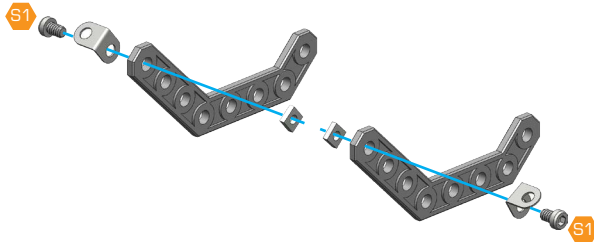
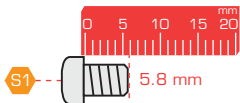


-  19 mm



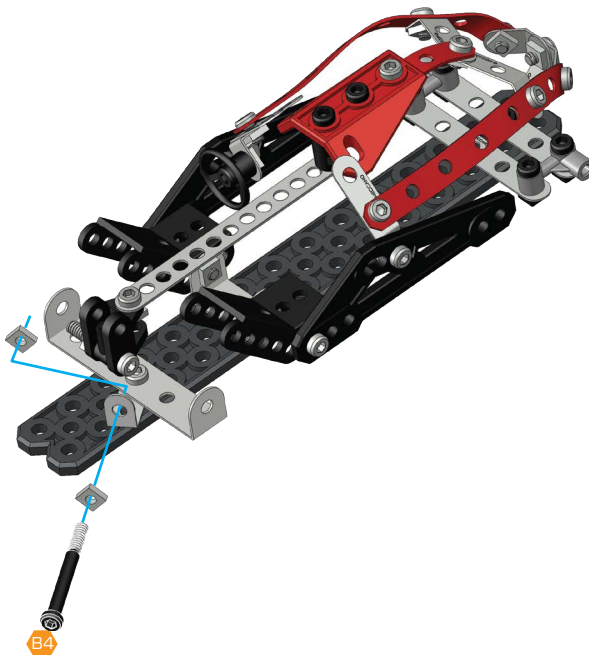
18

- S1 x 2
- x 2
- x 2
- x 2





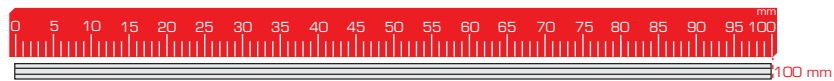
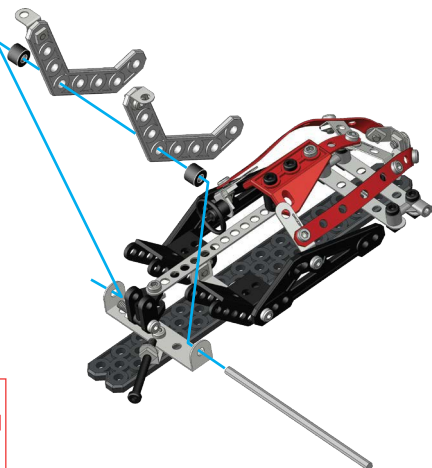
19

- B4 x 1
- x 2


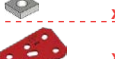




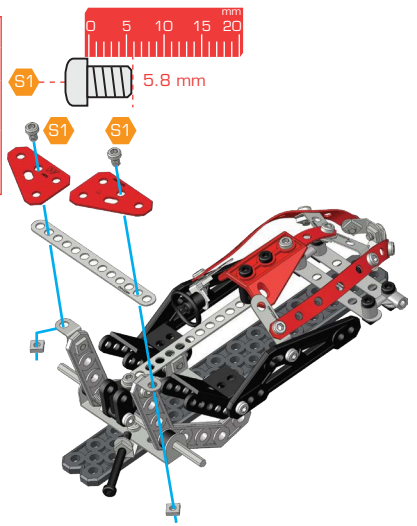
20 18+19

-  x 2
-  x 1







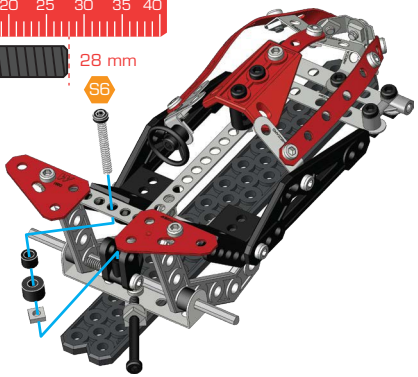
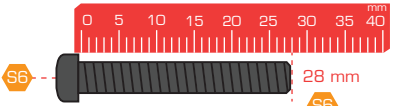
21

-  x 2
-  x 2
-  x 2
-  x 1



22

-  x 1
-  x 1
-  x 1
-  x 1



23

-  x 4
-  x 4



24 22+23

-  x 2
-  x 2



25 23+24

-   x 2
-  x 2

