


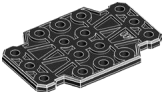
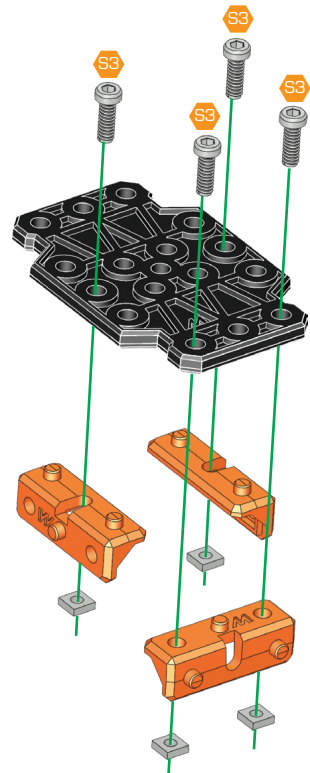
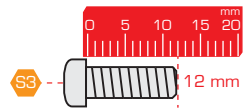


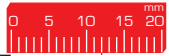
1

-  x 4
-  x 4
-  x 3
-  x 1

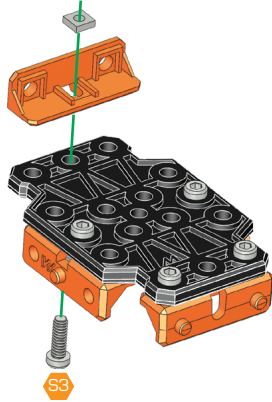


2

- S3 x 1
- x 1
- x 2



- S3 12 mm

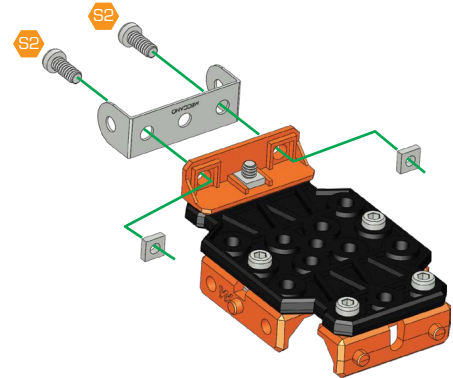


3

- S2 x 2
- x 2
- x 1

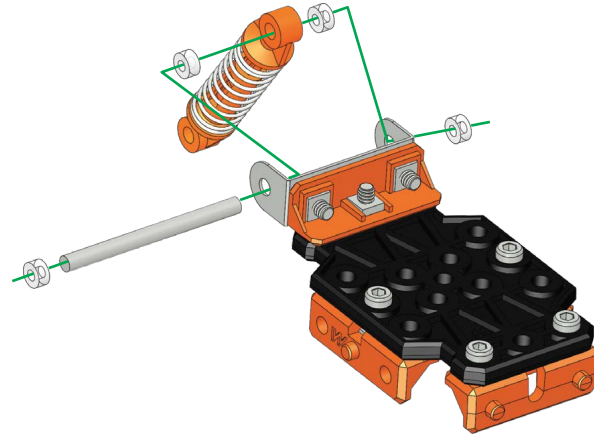


- S2 9.5 mm






4

- x 4
- x 1
- x 1



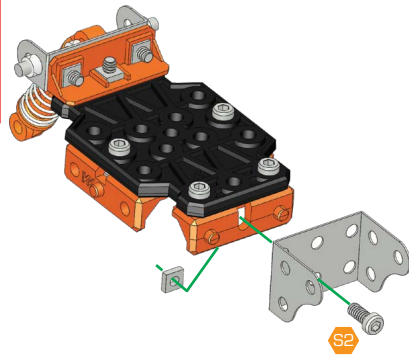
50 mm

5





-  x 1
-  x 1
-  x 1




-  9.5 mm

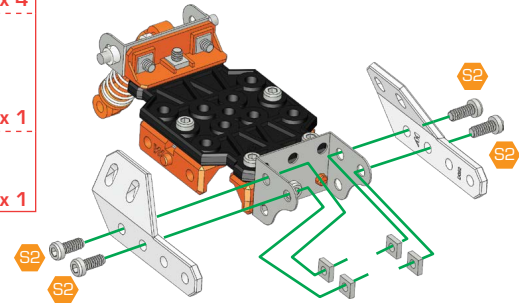


6





-  x 4
-  x 4
-  x 1
-  x 1



-  9.5 mm

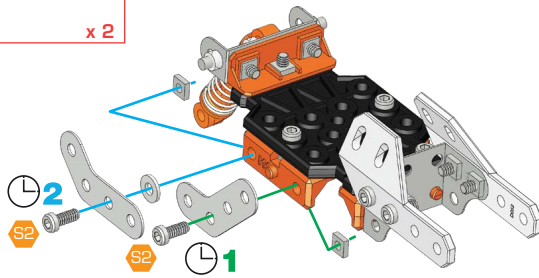


7





-  x 2
-  x 2
-  x 1
-  x 2



-  9.5 mm

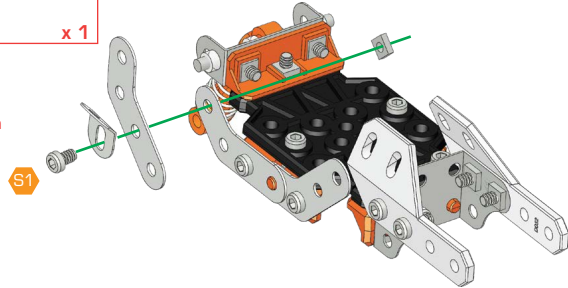


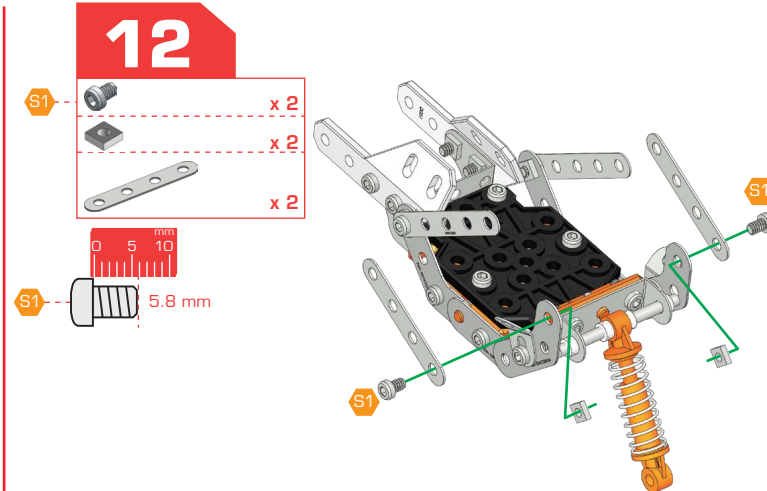
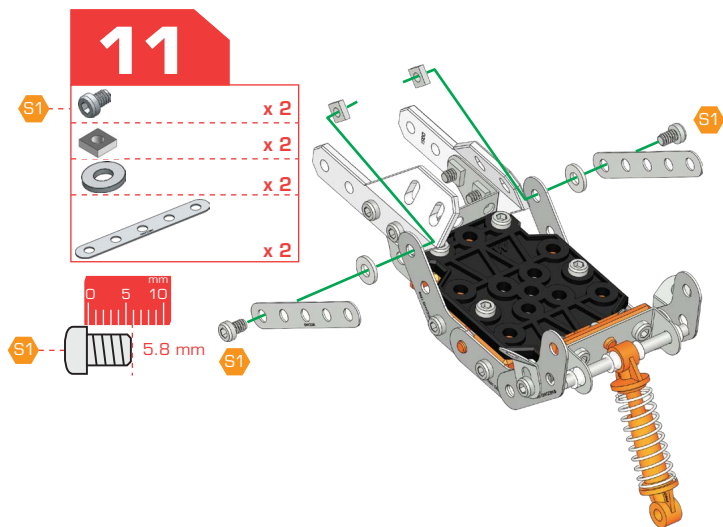
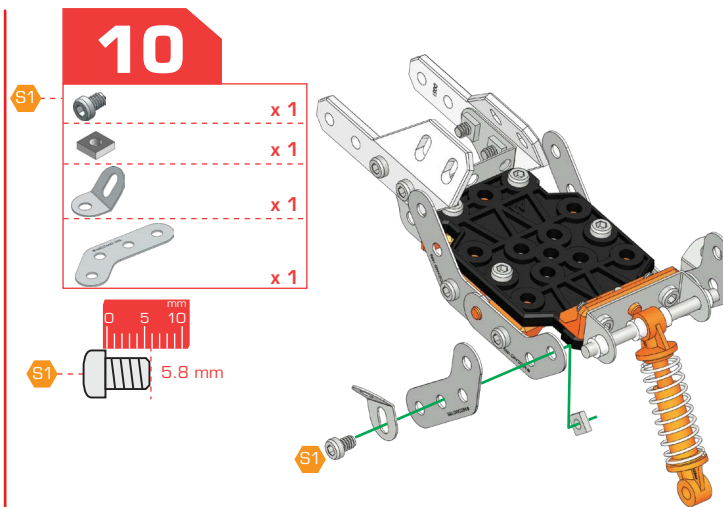
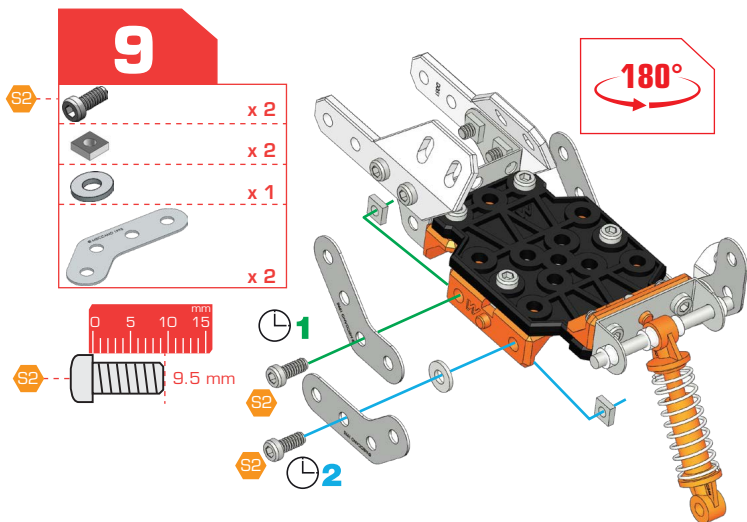
8

-  x 1
-  x 1
-  x 1
-  x 1






-  5.8 mm



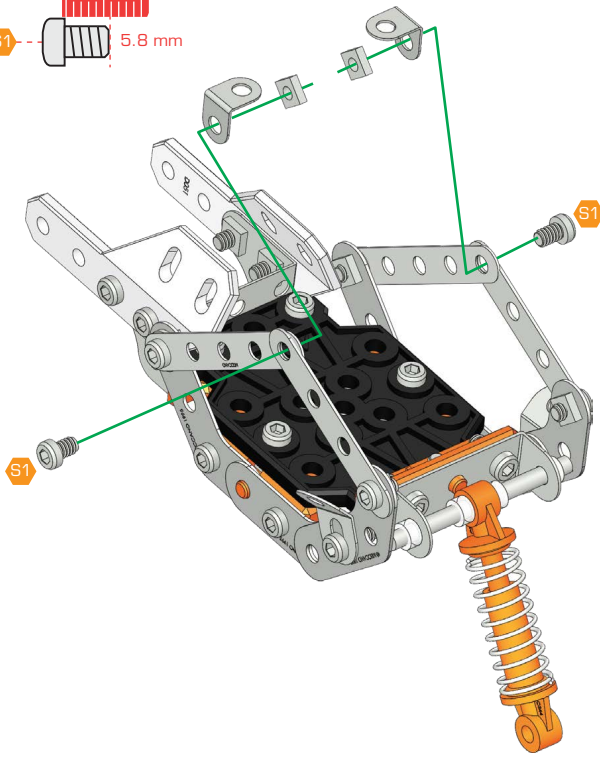


13




- S1  x 2
-  x 2
-  x 2



S1  5.8 mm

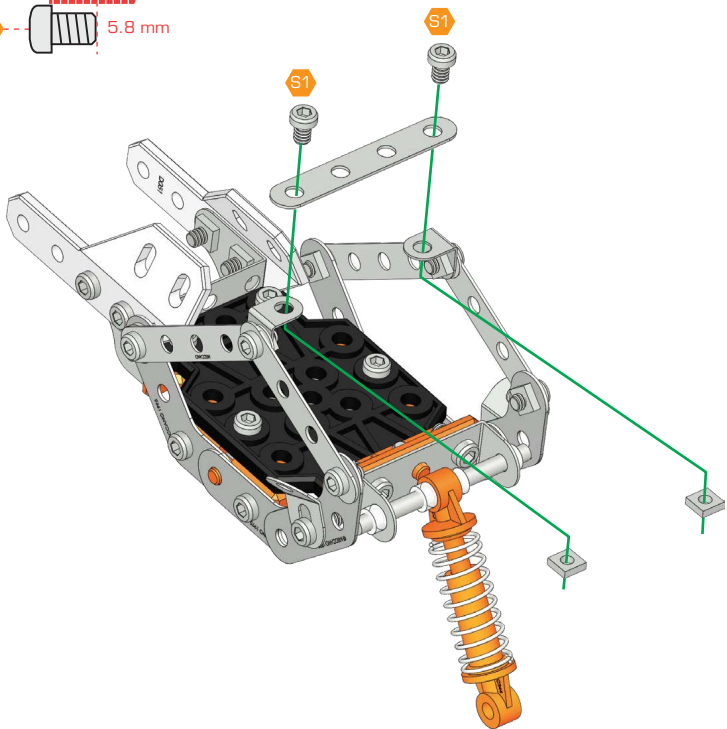


14

- S1  x 2
-  x 2
-  x 1



S1  5.8 mm



15

S2



x 1



x 1



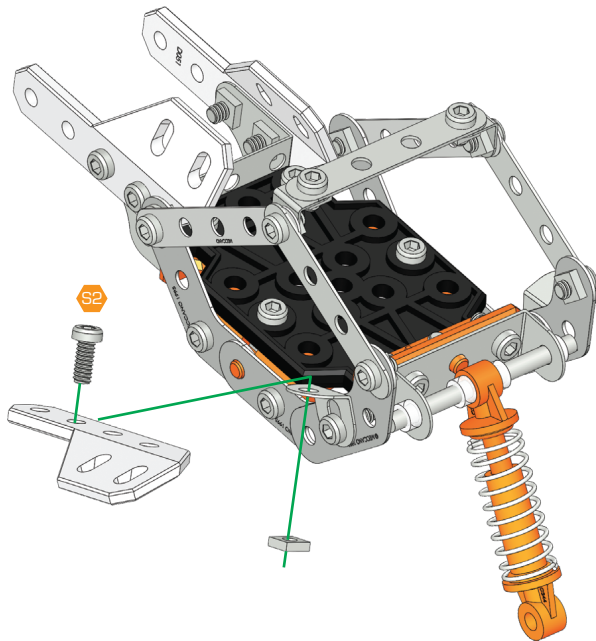
x 1



S2



9.5 mm



16

S2



x 1



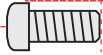
x 1



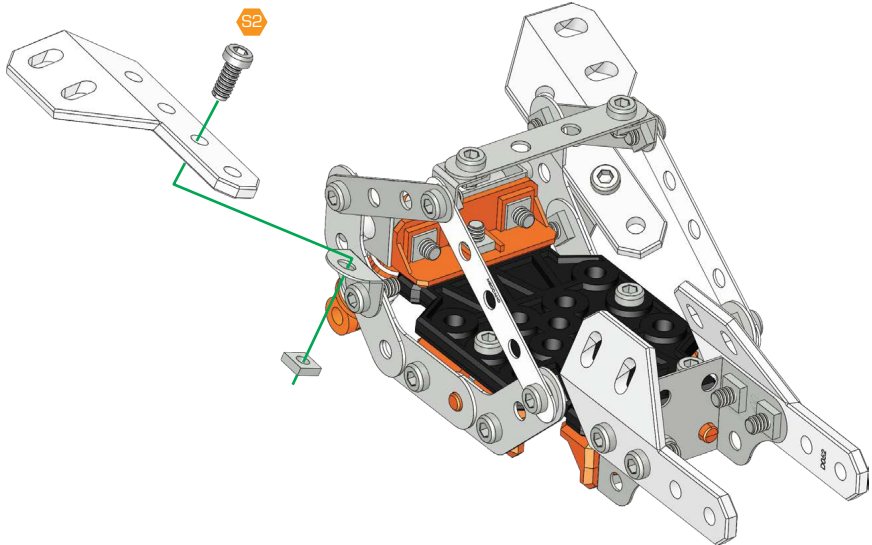
x 1



S2



9.5 mm

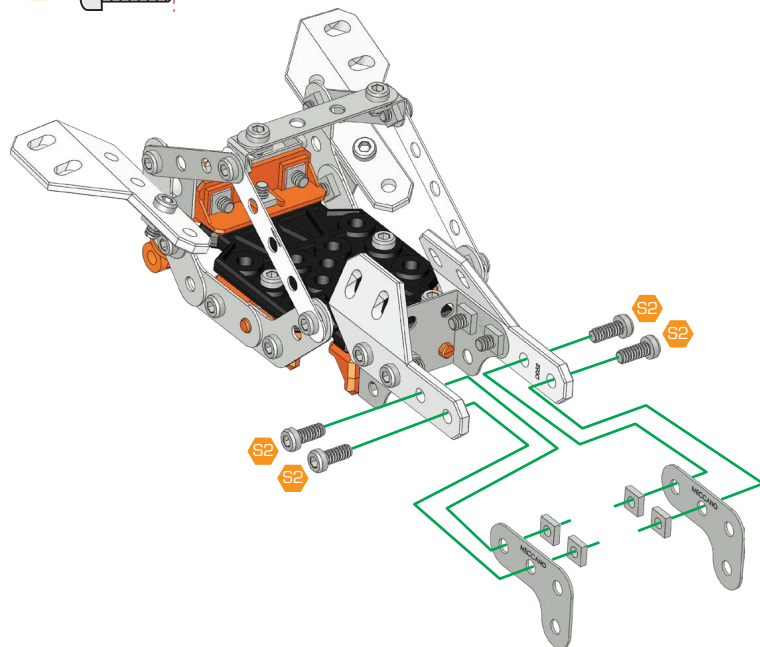


17

- S2 x 4
- x 4
- x 2



S2 9.5 mm

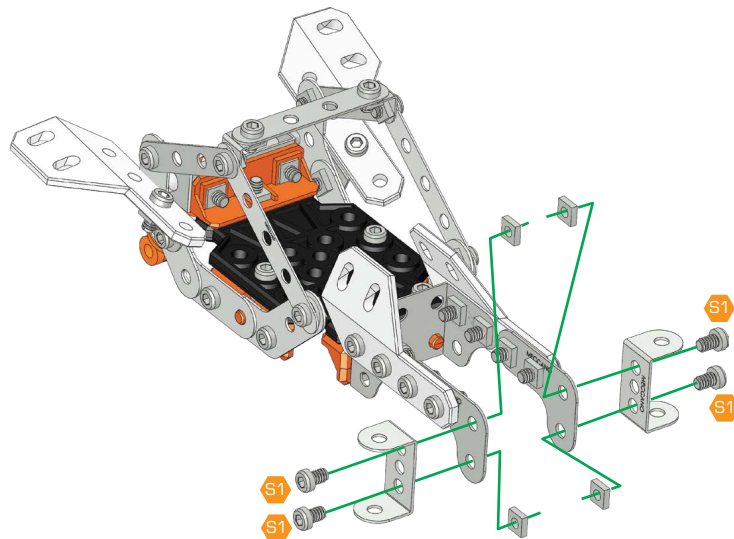


18






- S1 x 4
- x 4
- x 2

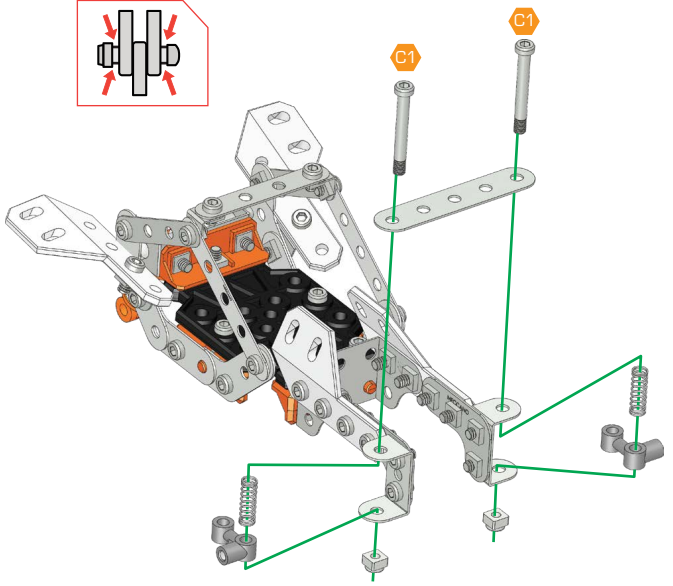
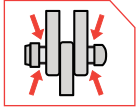
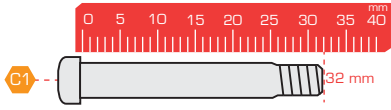


S1 5.8 mm






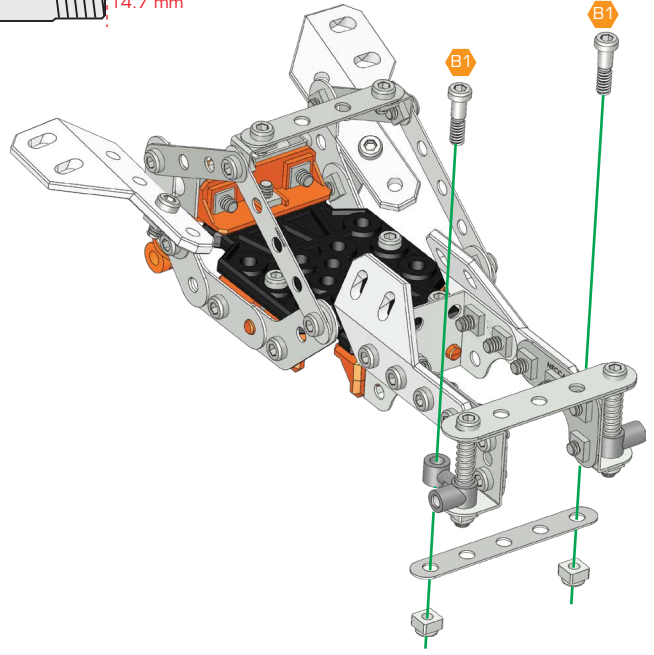
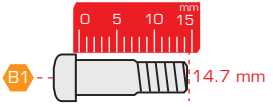
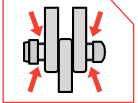
19

- C1  x 2
-  x 2
-  x 2
-  x 2
-  x 1

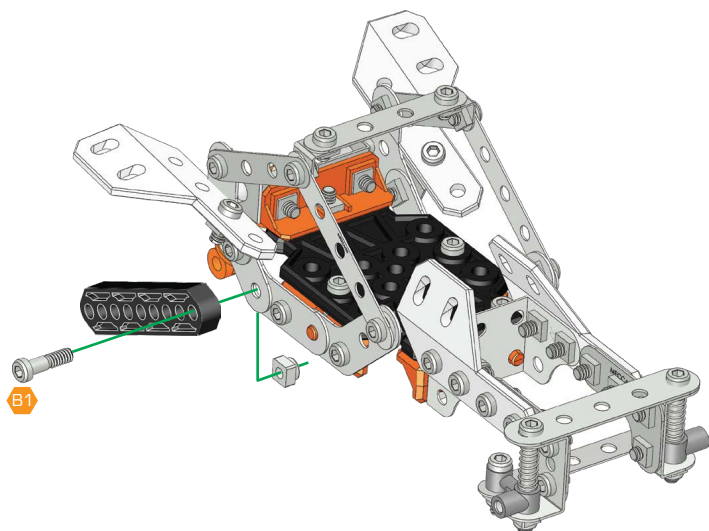
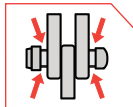
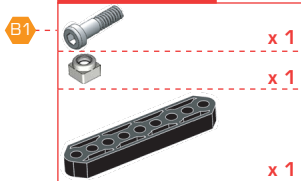


20

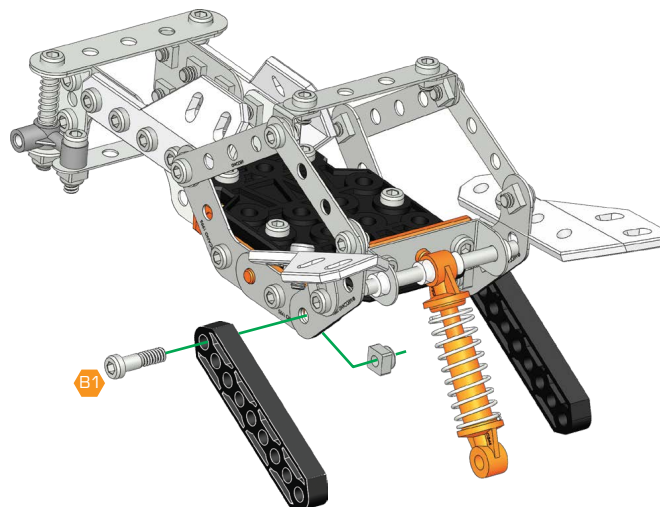
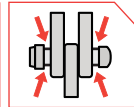
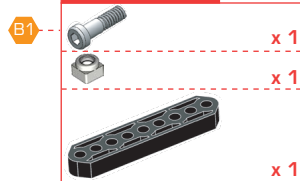
- B1  x 2
-  x 2
-  x 1






21

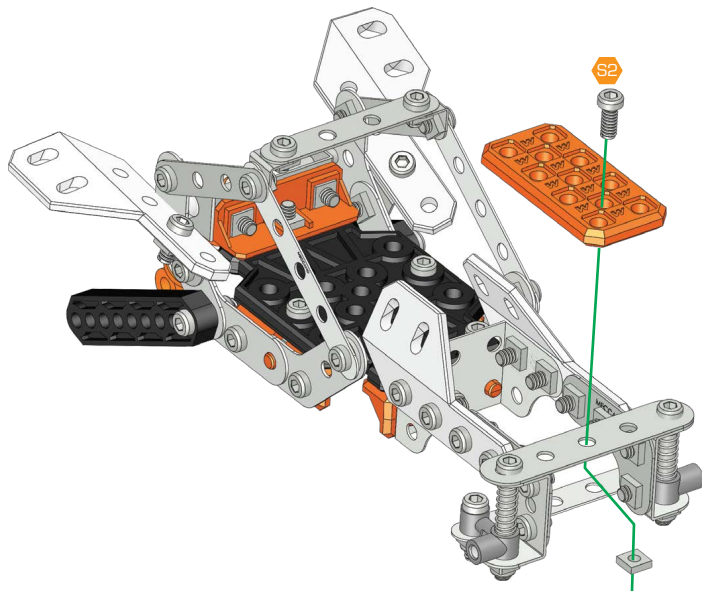
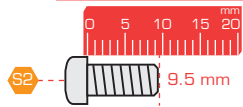


22






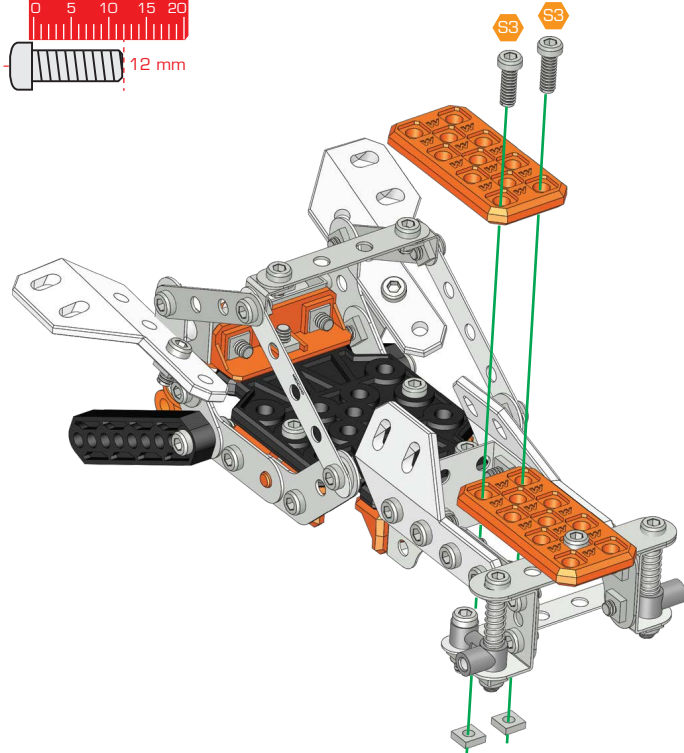
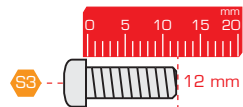
23

-  x 1
-  x 1
-  x 1

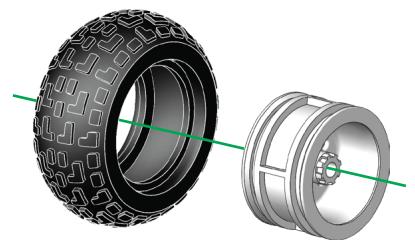
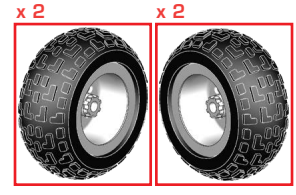


24

-  x 2
-  x 2
-  x 1

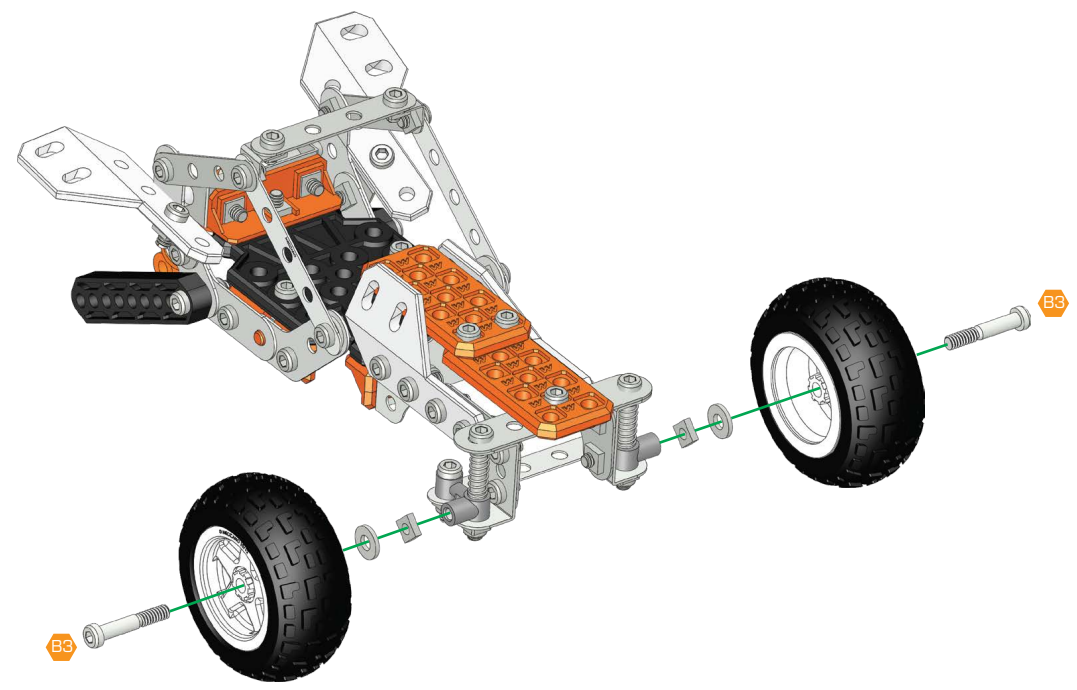
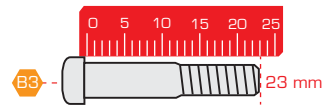
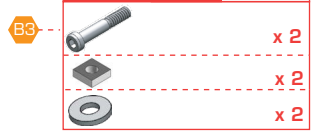


25






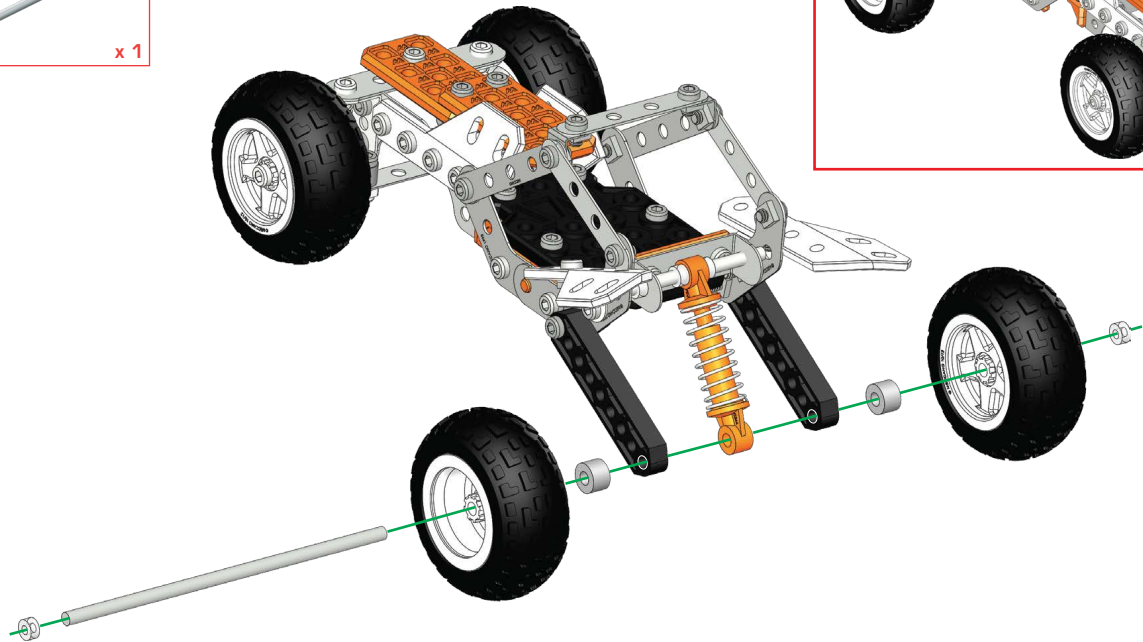
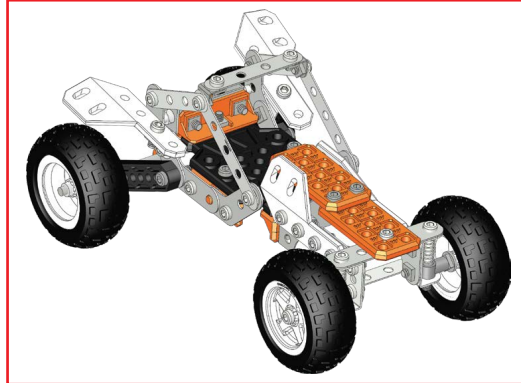
26

24+25



27 25+26

-  x 2
-  x 2
-  x 1



		A238	1:1
---	---	-------------	------------

