

1


- S2

x 2

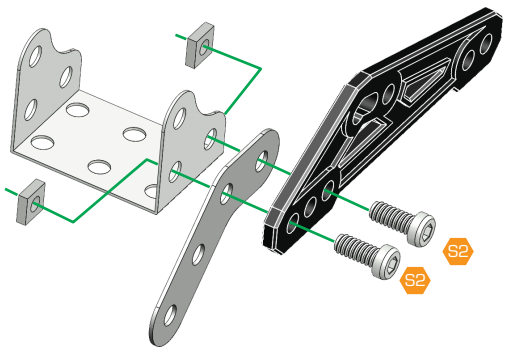
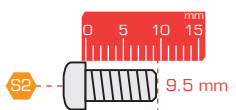
- S2

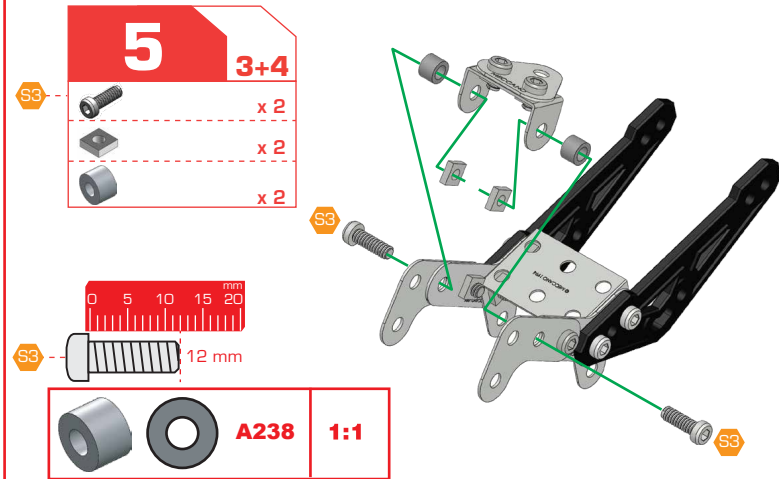
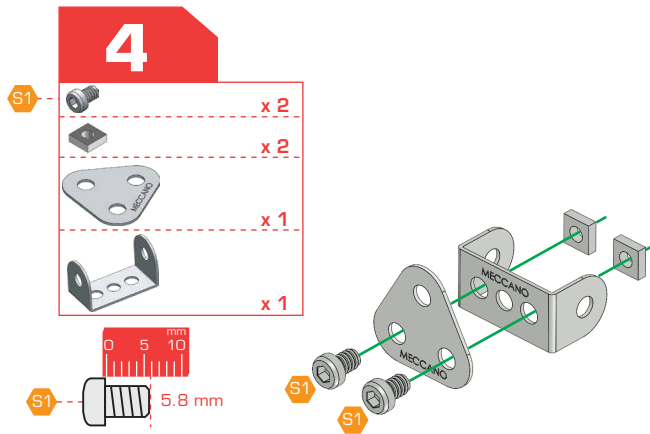
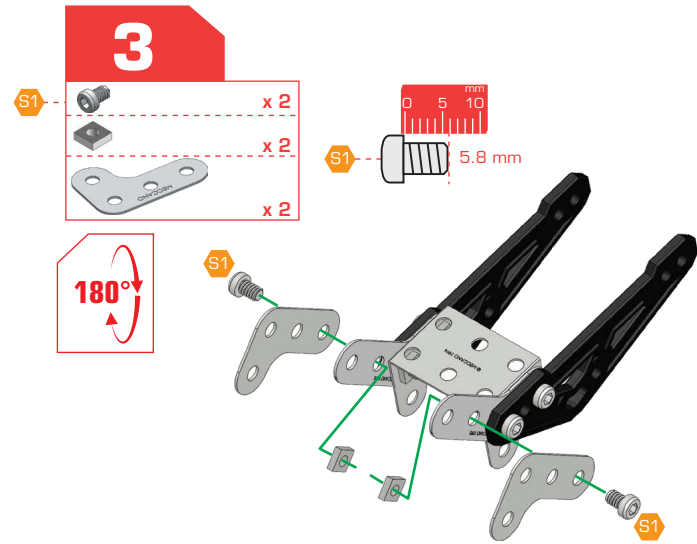
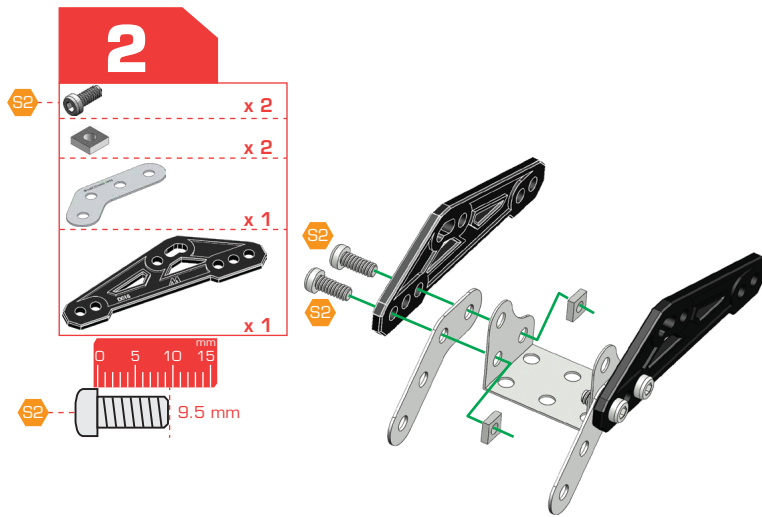
x 2

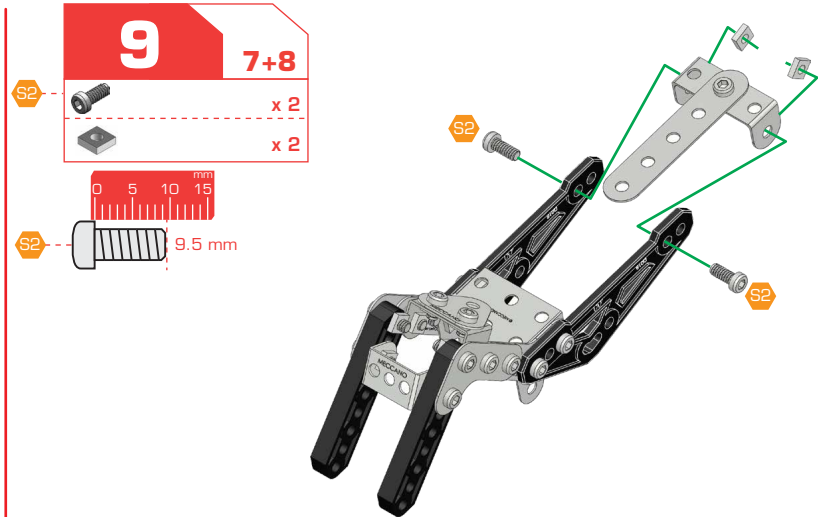
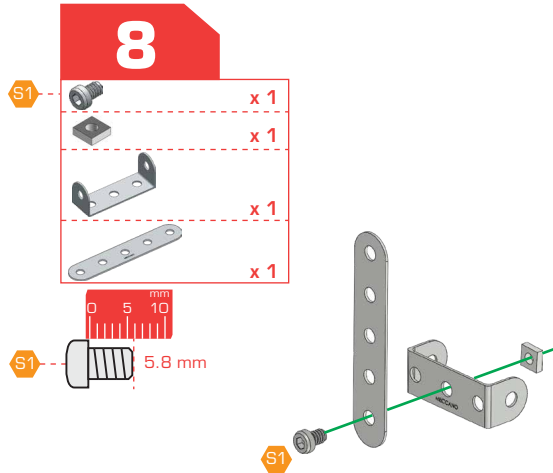
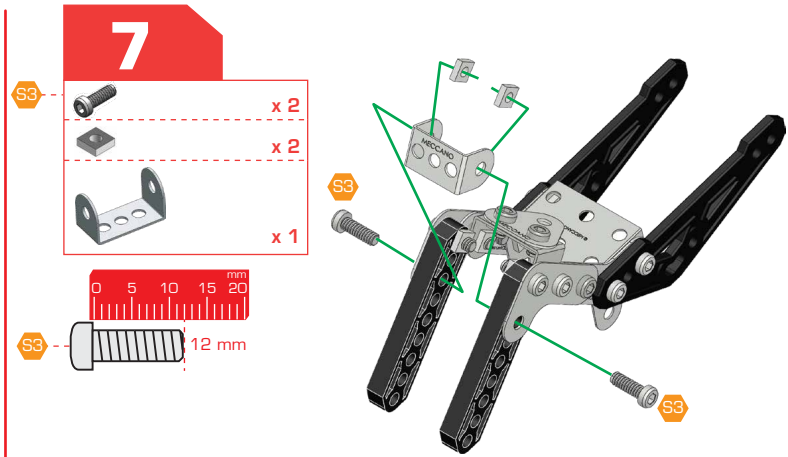
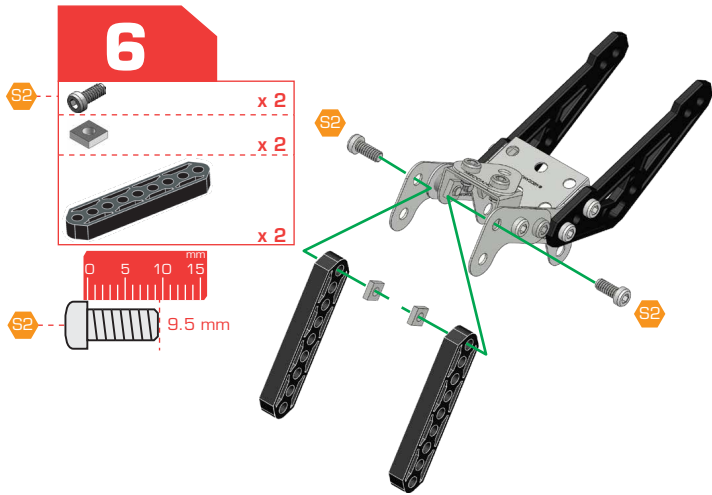
- 
x 1

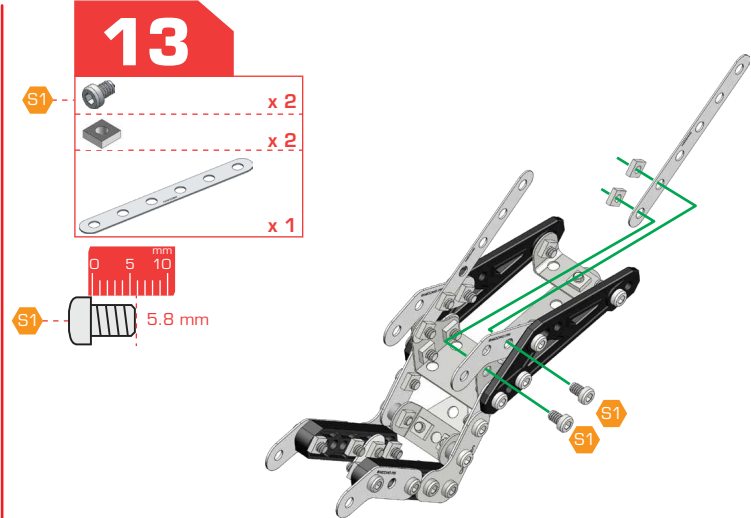
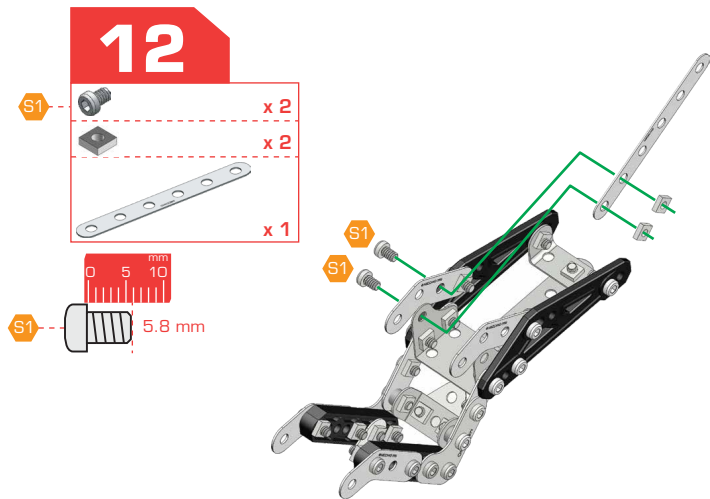
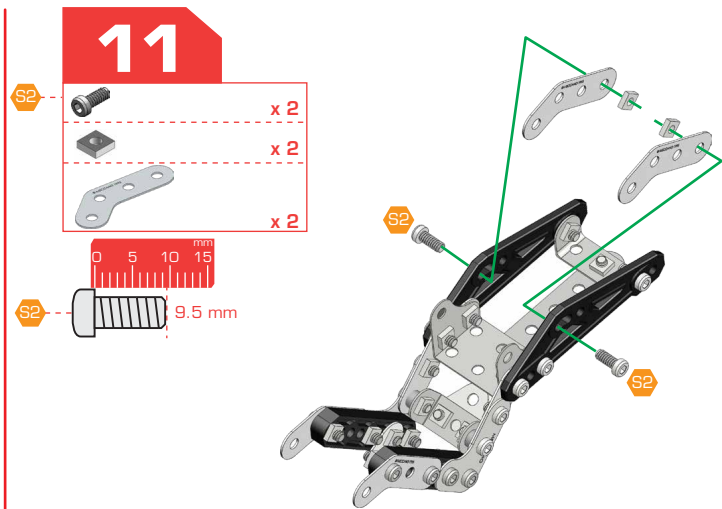
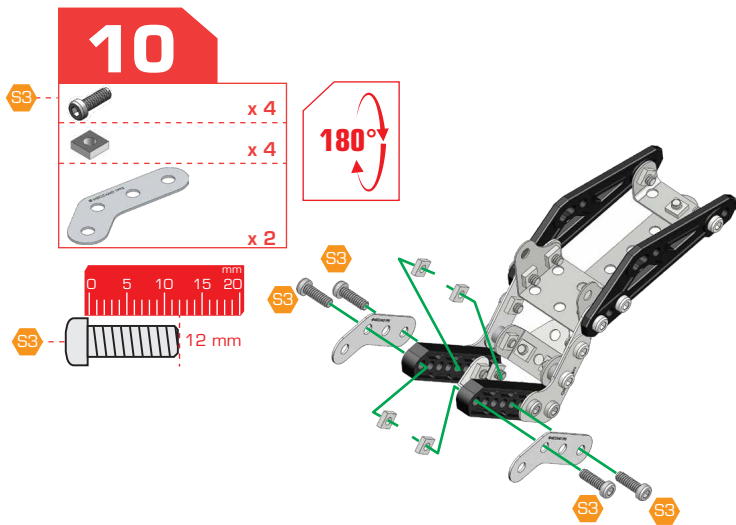
- 
x 1

- 
x 1



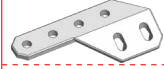









14

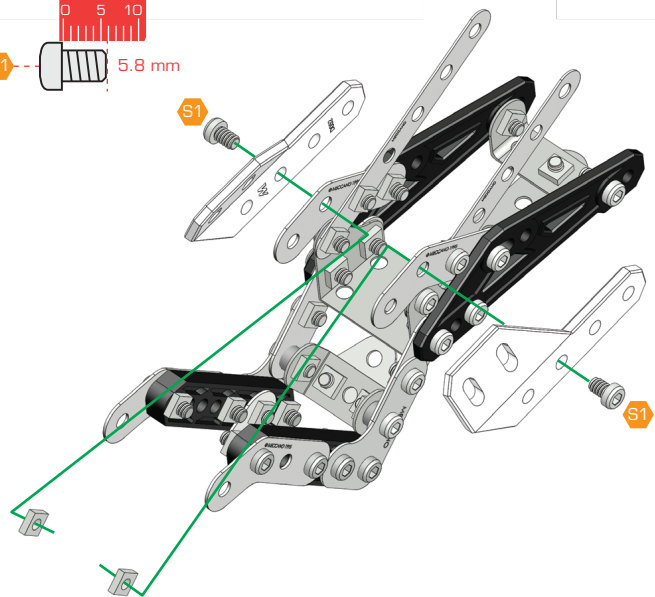
-  x 2
-  x 2
-  x 1
-  x 1







-  5.8 mm

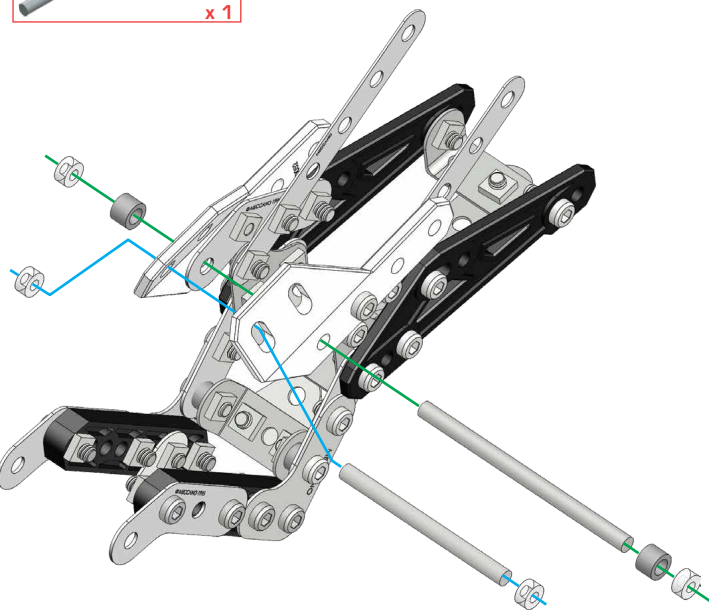
S1

S1



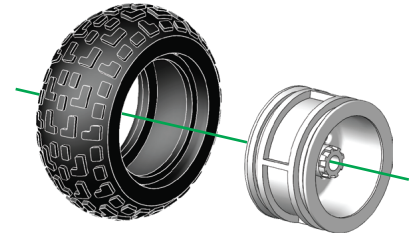
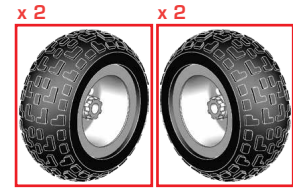
15

-  x 4
-  x 2
-  x 1
-  x 1



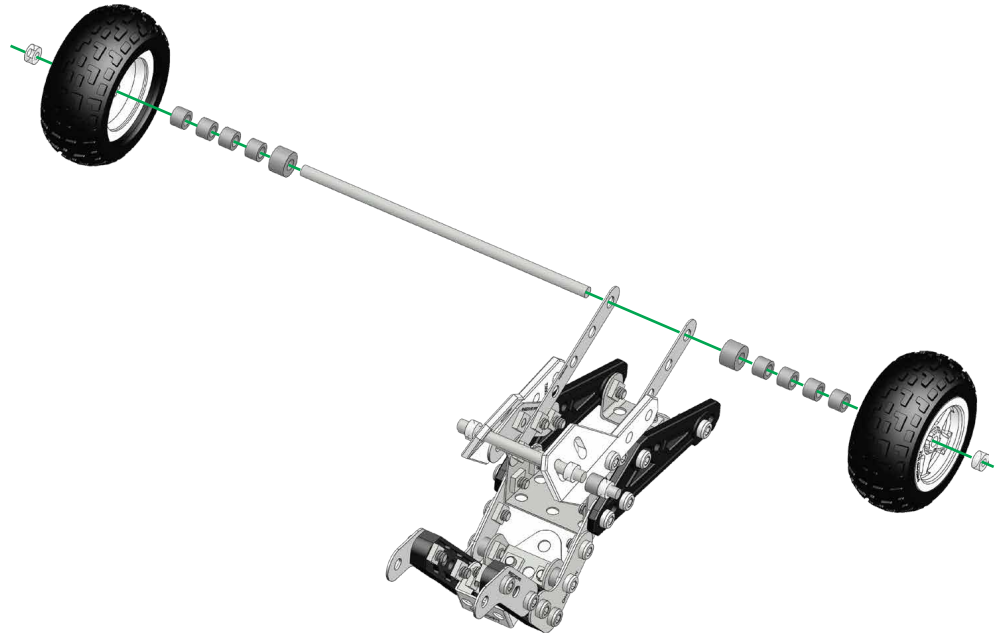
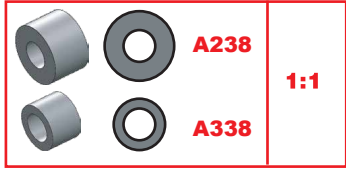
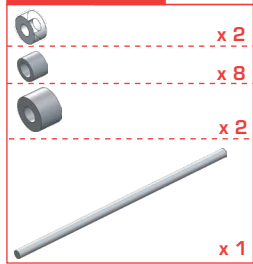
-  50 mm
-  63.5 mm

16



17

15+16

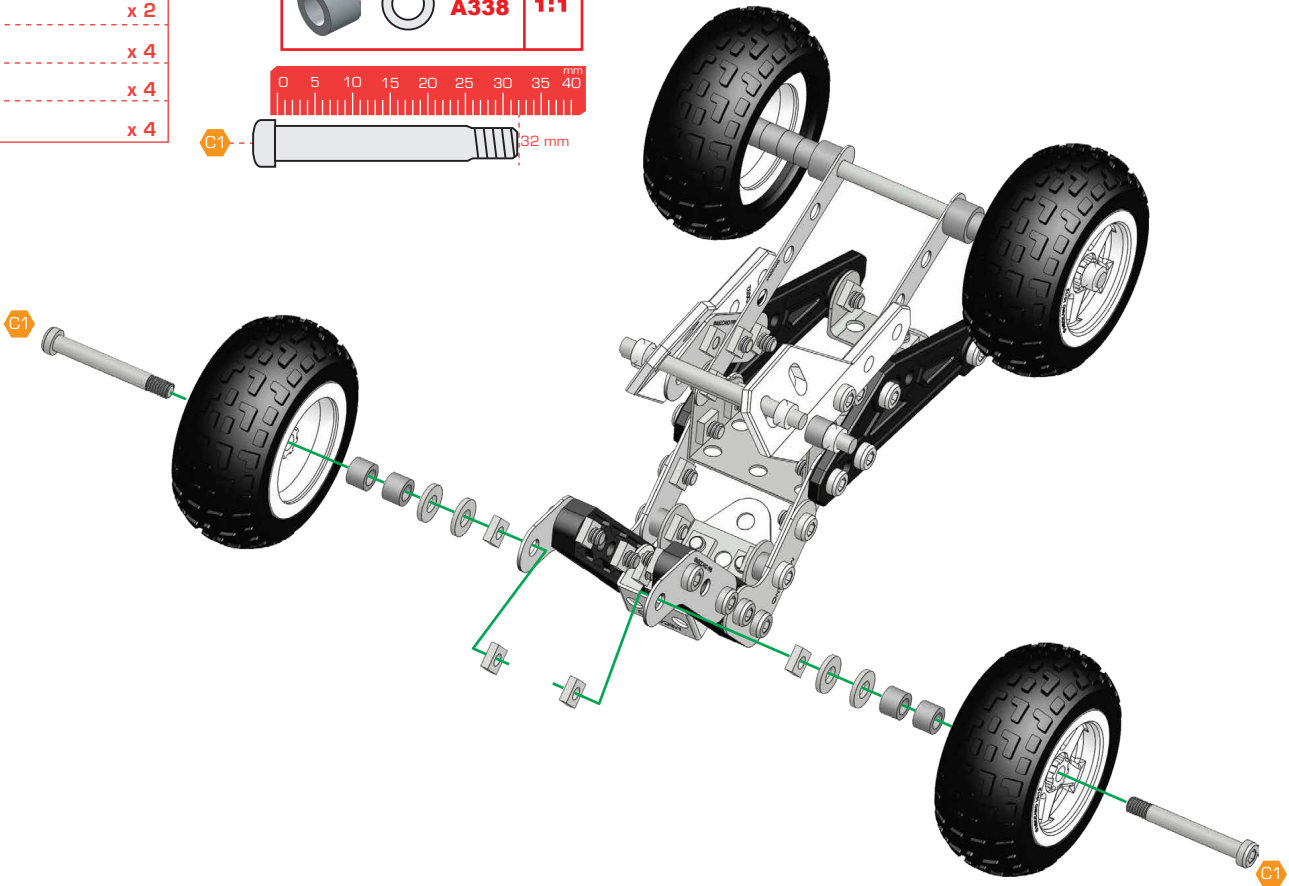
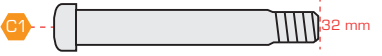


15 mm

18 16+17

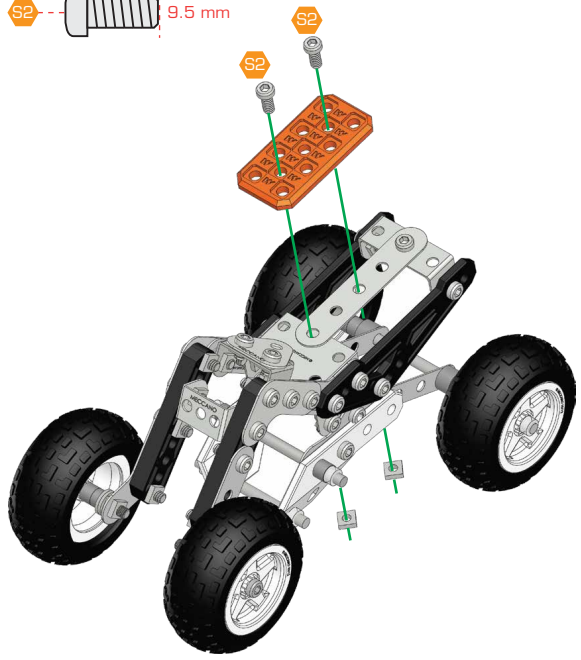
	x 2
	x 4
	x 4
	x 4

		A338	1:1
--	--	-------------	------------



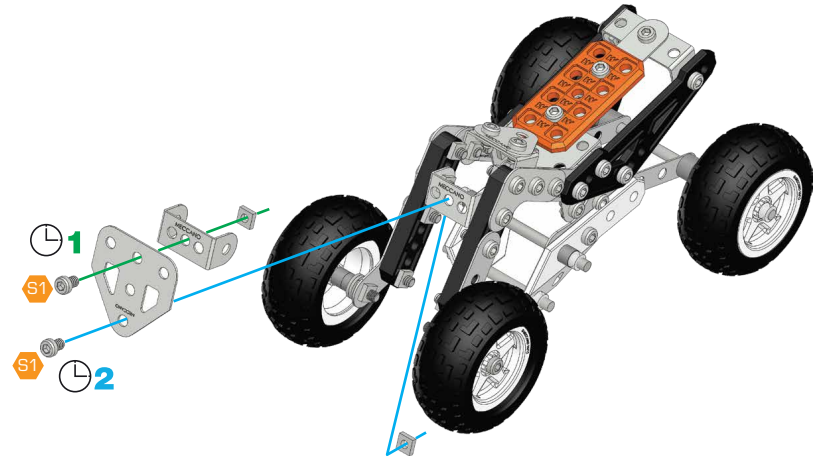
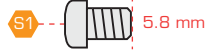
19

- S2 x 2
- x 2
- x 1



20

- S1 x 2
- x 2
- x 1
- x 1



21

