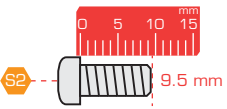


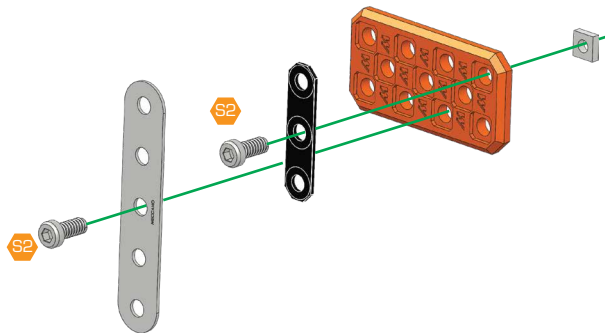


1

- 62** x 2
- x 1
- x 1
- x 1
- x 1

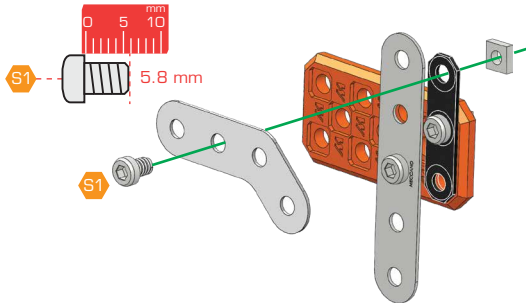


- 62** 9.5 mm



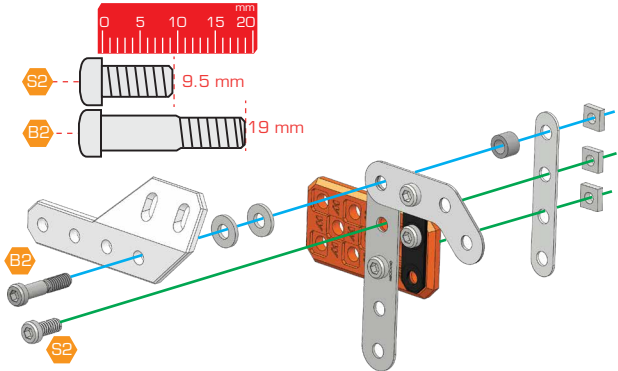
2

- S1 x 1
- x 1
- x 1



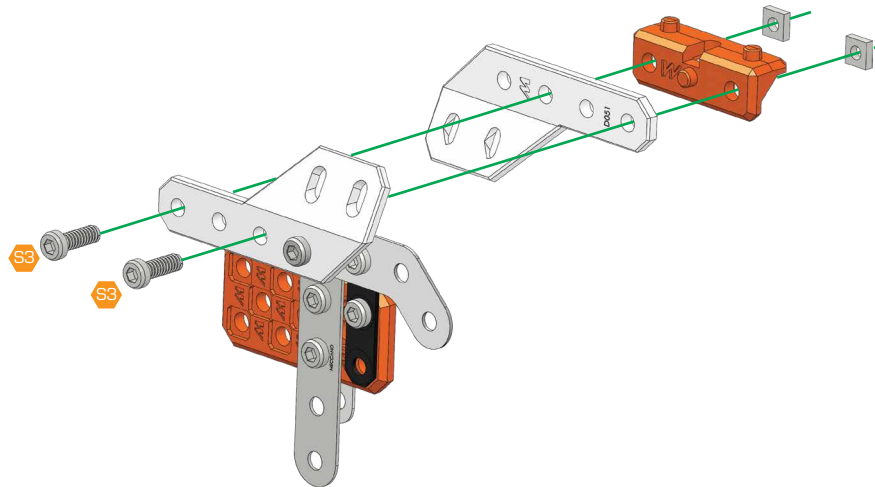
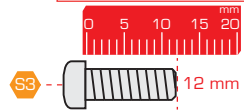
3

- S2 x 1
- B2 x 1
- x 3
- x 2
- x 1
- x 1
- x 1

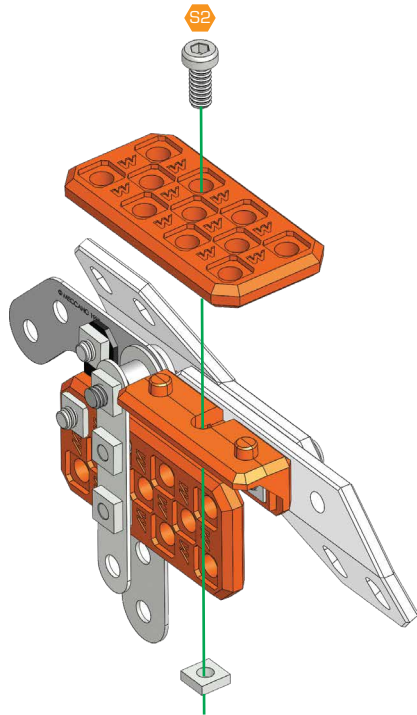
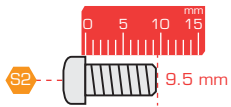
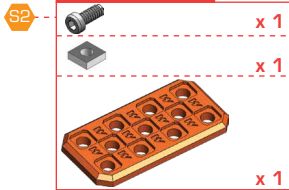


4

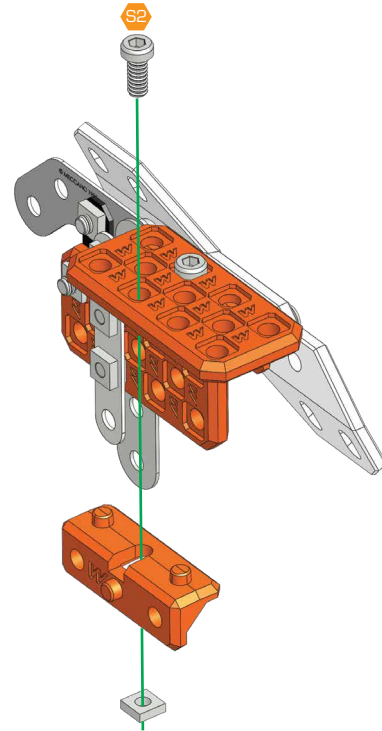
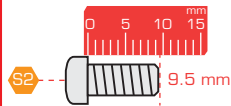
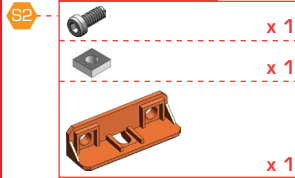
- S3 x 2
- x 2
- x 1
- x 1



5



6

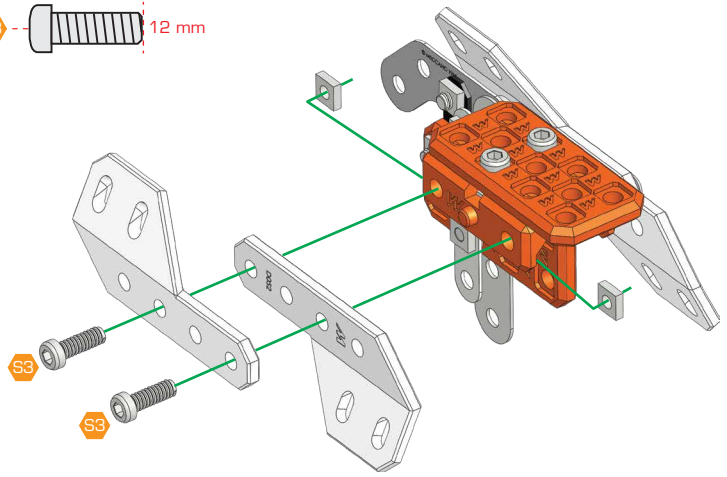


7

- S3 x 2
- x 2
- x 1
- x 1



- S3 12 mm

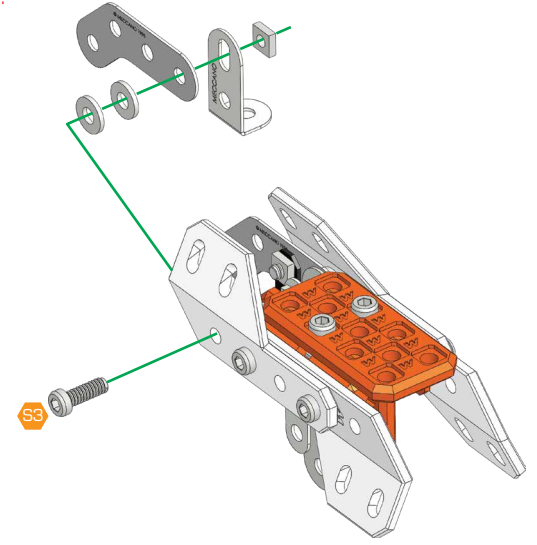


8




- S3 x 1
- x 1
- x 2
- x 1
- x 1

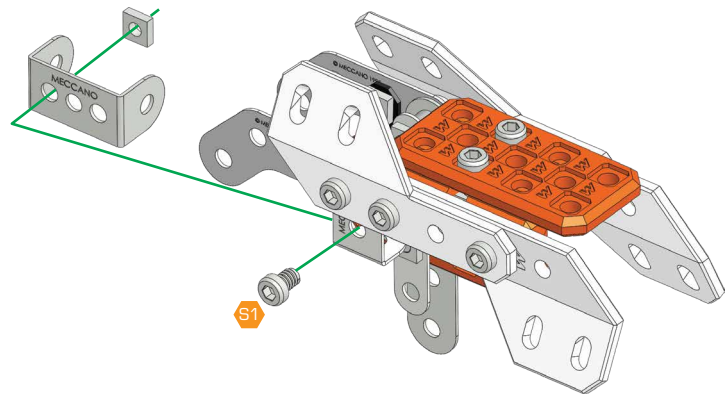
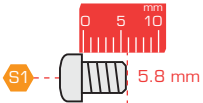


- S3 12 mm






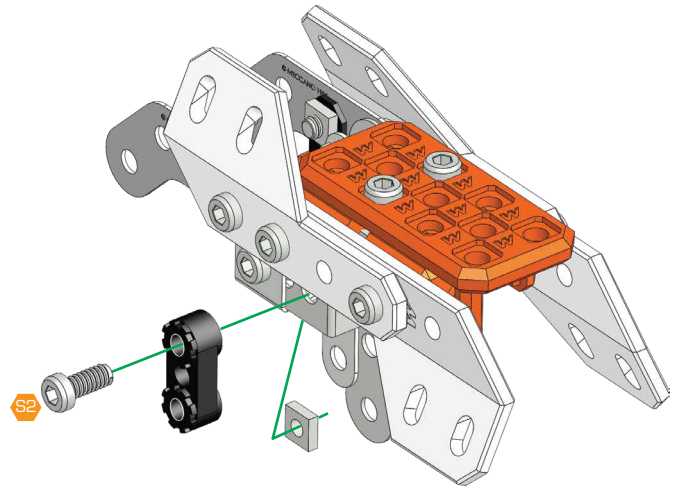
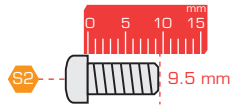
9

- S1  x 1
-  x 1
-  x 1




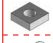
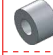

10

- S2  x 1
-  x 1
-  x 1

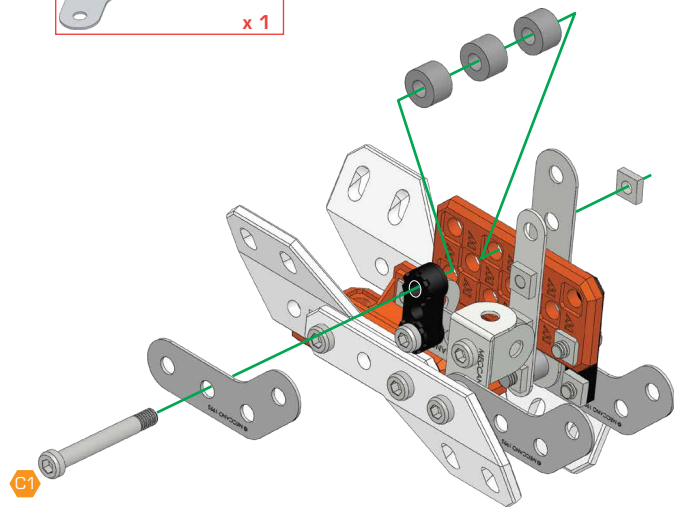


11

C1

-  x 1
-  x 1
-  x 3
-  x 1

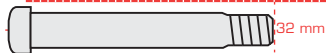
180°



C1




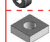


C1



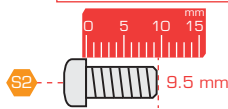
6

12

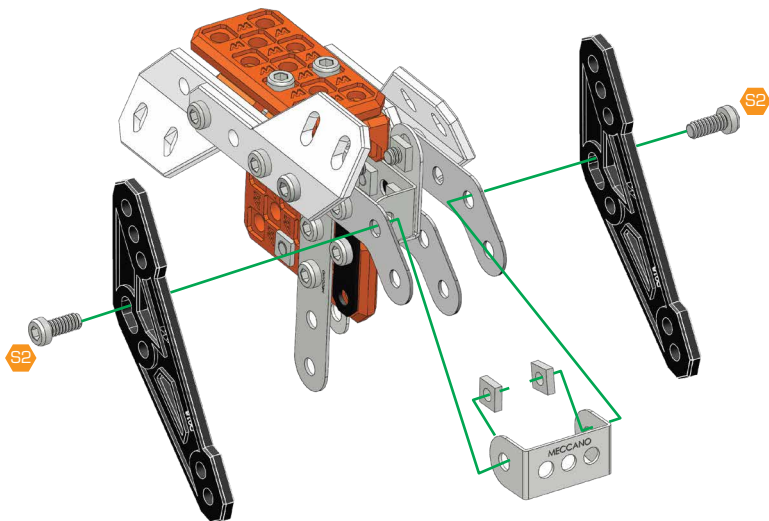
S2

-  x 2
-  x 2
-  x 1
-  x 2

180°








S2

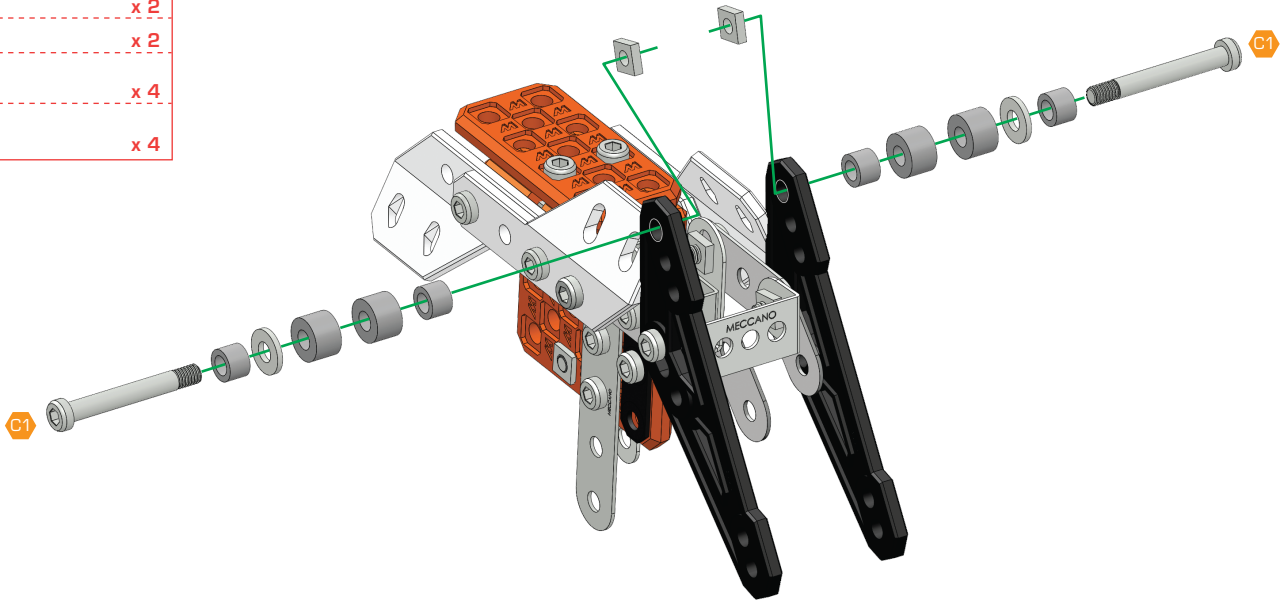


S2

S2

13

	x 2
	x 2
	x 2
	x 4
	x 4



		A338	1:1
		A238	

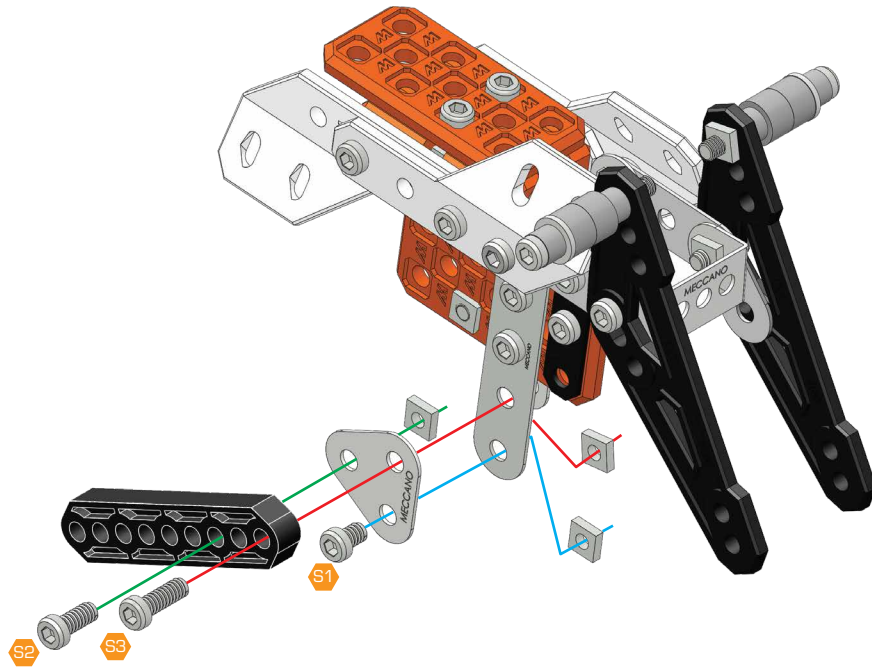


14



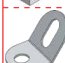
- S1 x 1
- S2 x 1
- S3 x 1
- x 3
- x 1
- x 1

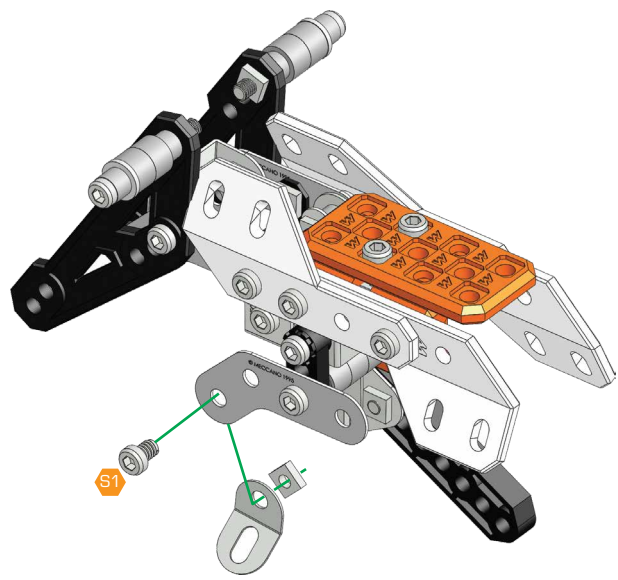
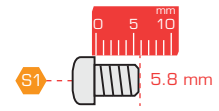


- S1 5.8 mm
- S2 9.5 mm
- S3 12 mm






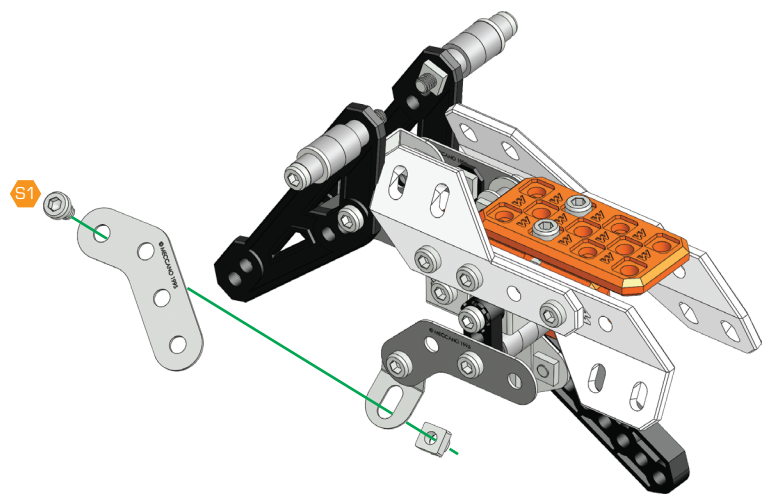
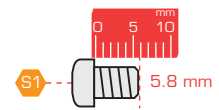
15

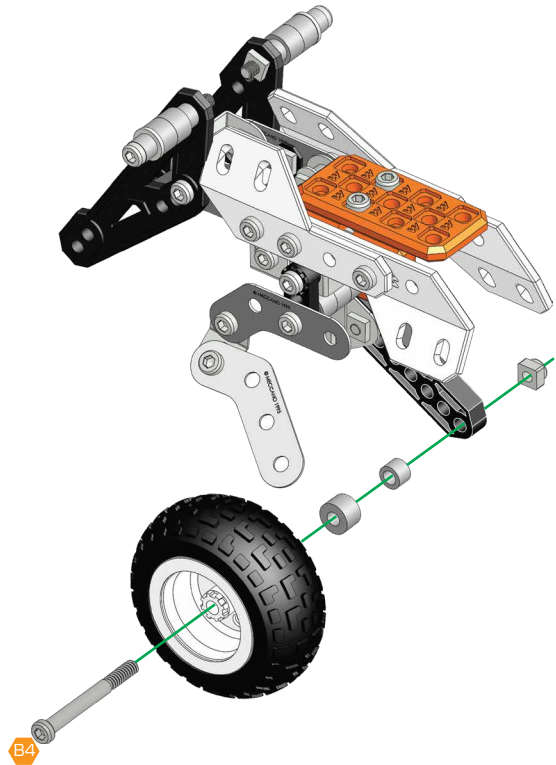
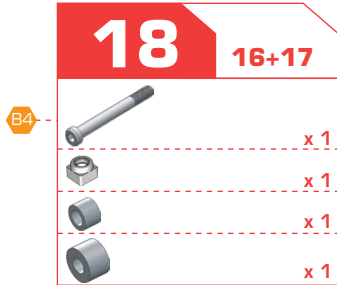
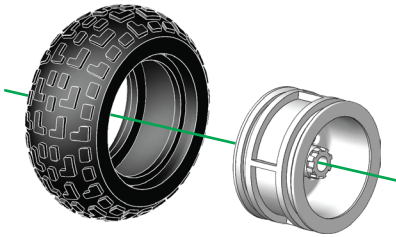
- S1  x 1
-  x 1
-  x 1



16

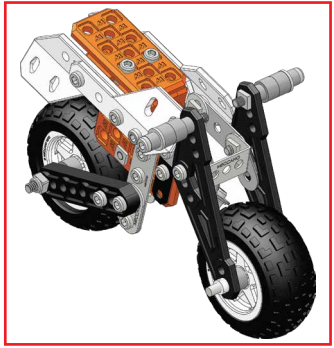
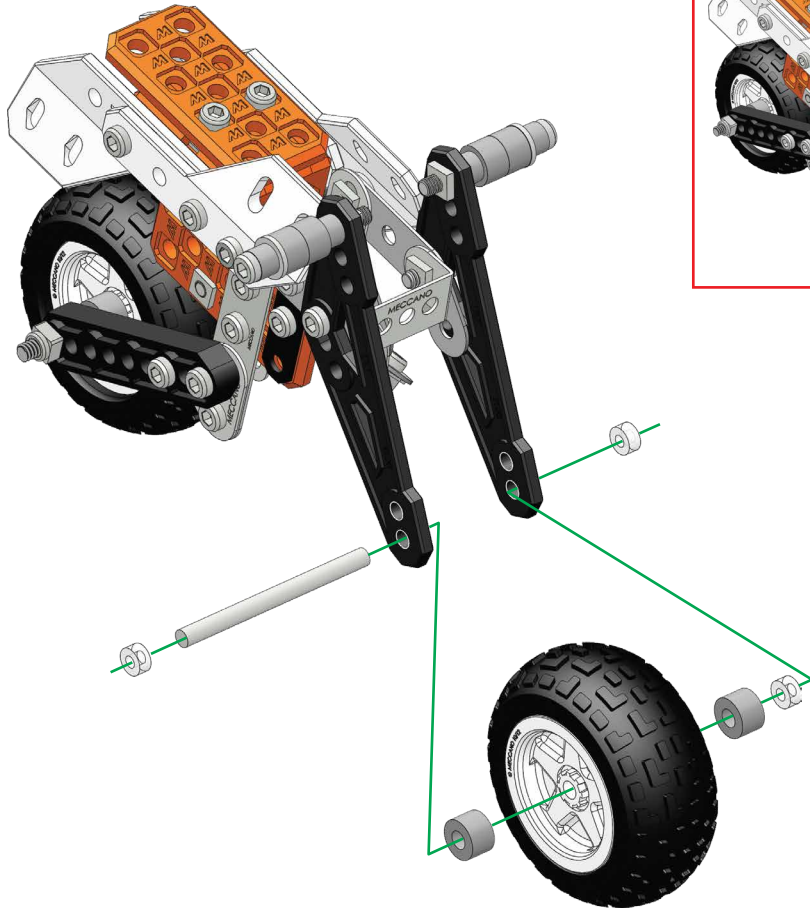
- S1  x 1
-  x 1
-  x 1





19 17+18

- x 1
- x 2
- x 2



		A238	1:1
--	--	-------------	------------

