

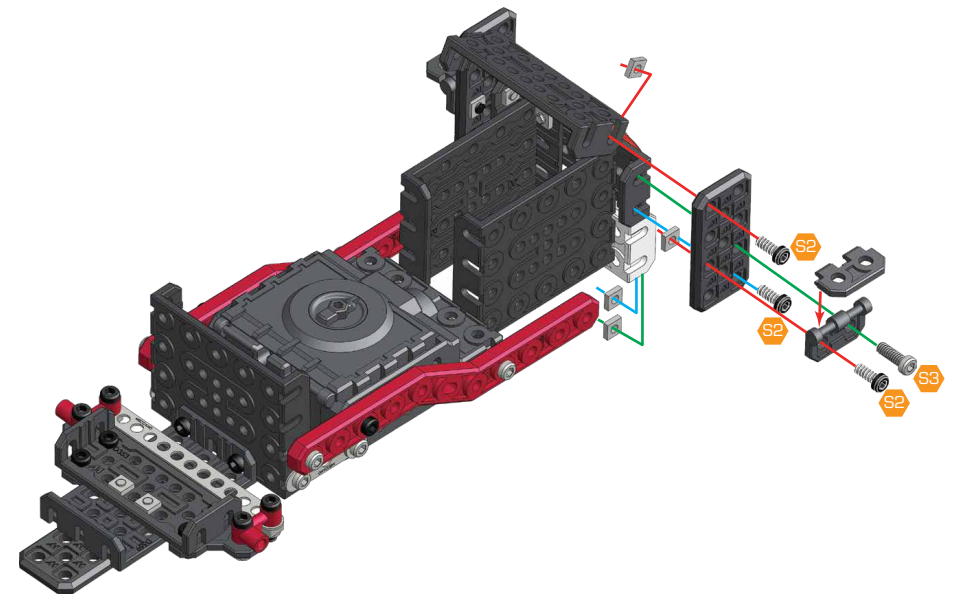
**11**

- S2 x 3
- S3 x 1
- x 4
- x 1
- x 1
- x 1

0 5 10 mm

- S2 9.5 mm
- S3 12 mm

180°

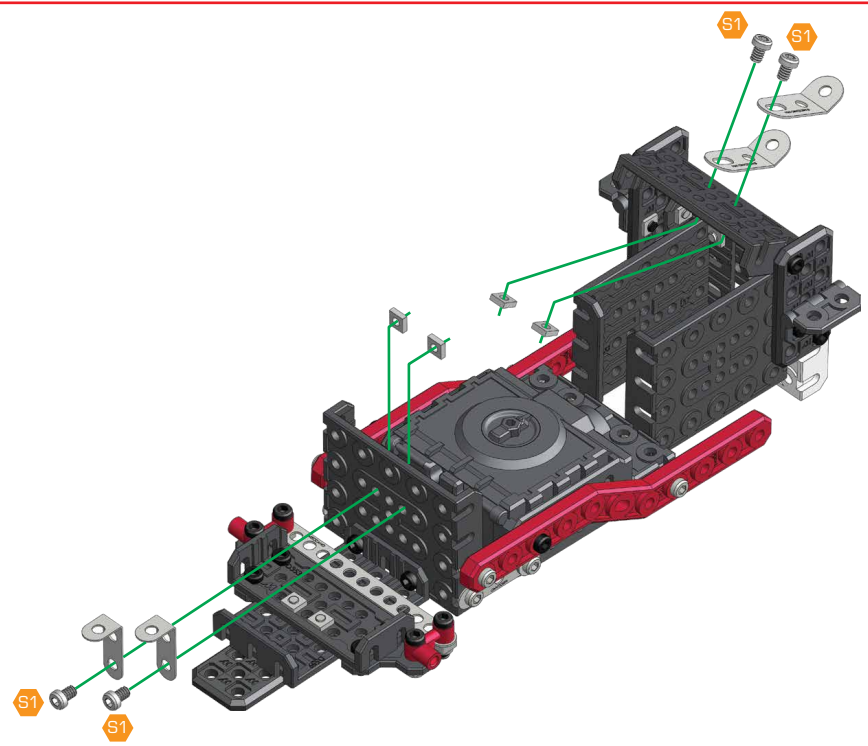


**12**

- S1 x 4
- x 4
- x 2
- x 2

0 5 10 mm

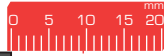
- S1 5.8 mm



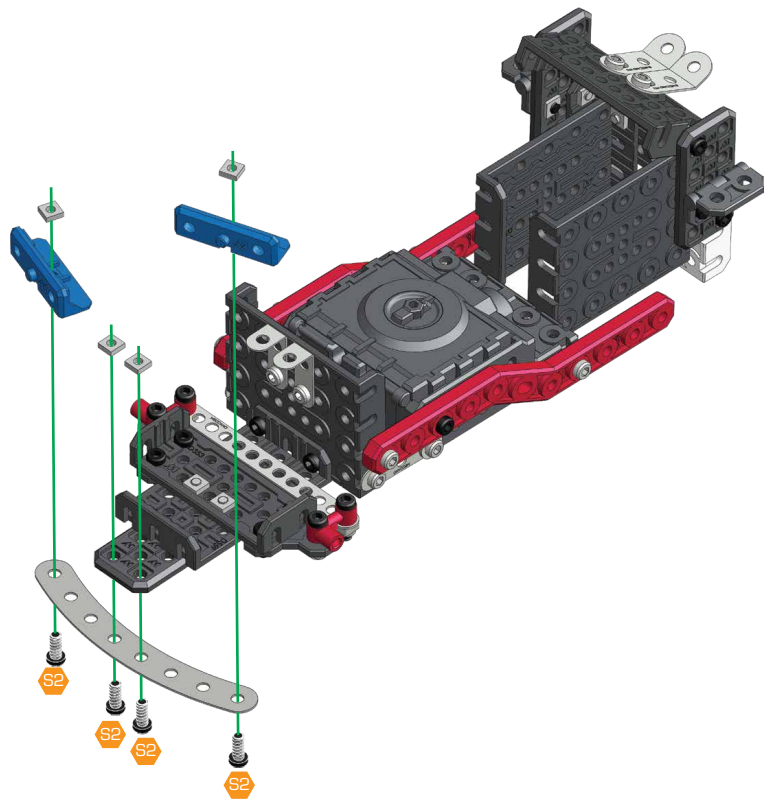


# 13

- S2 x 4
- x 4
- x 2
- x 1



- S2 9.5 mm

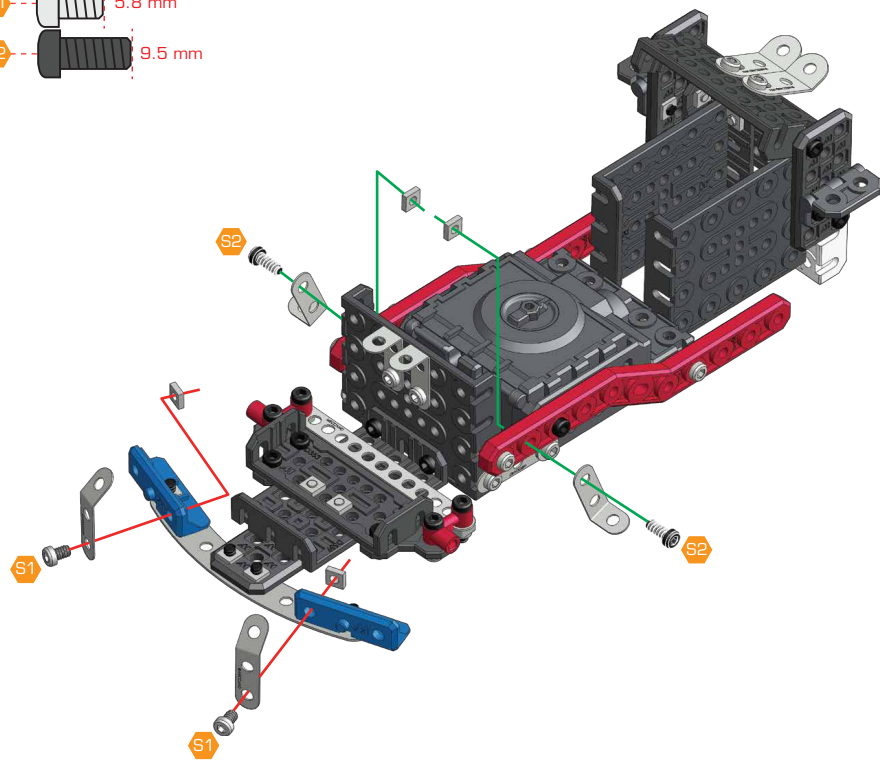


# 14







- S1 x 2
- S2 x 2
- x 4
- x 2
- x 2





- S1 5.8 mm
- S2 9.5 mm

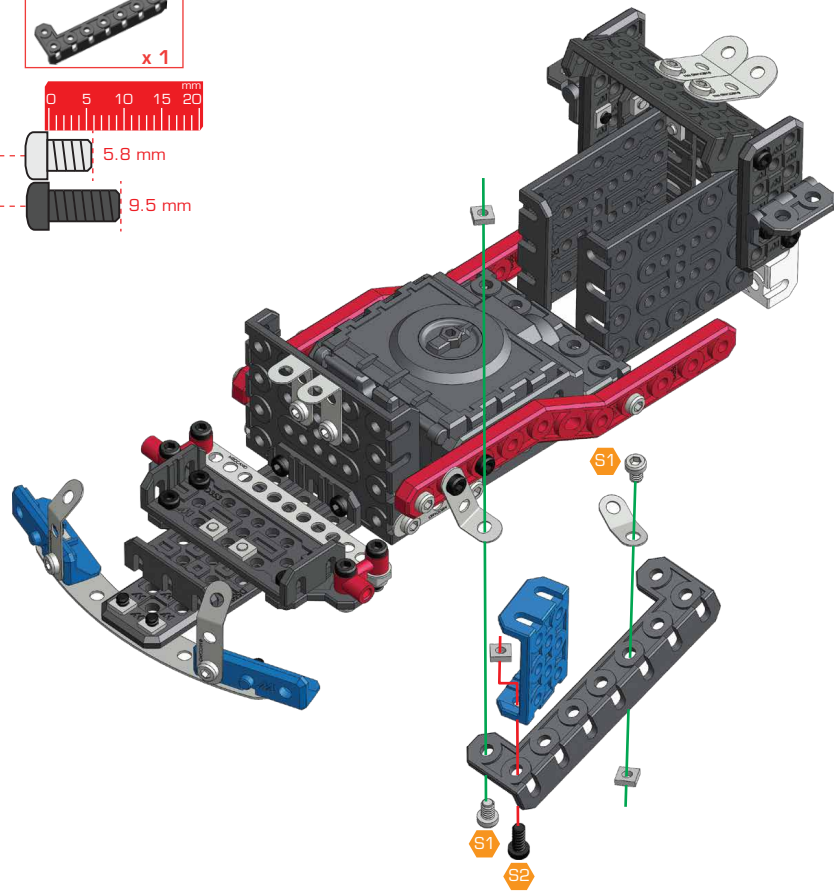


# 15




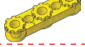



- S1  x 2
- S2  x 1
-  x 3
-  x 1
-  x 1
-  x 1





- S1  5.8 mm
- S2  9.5 mm

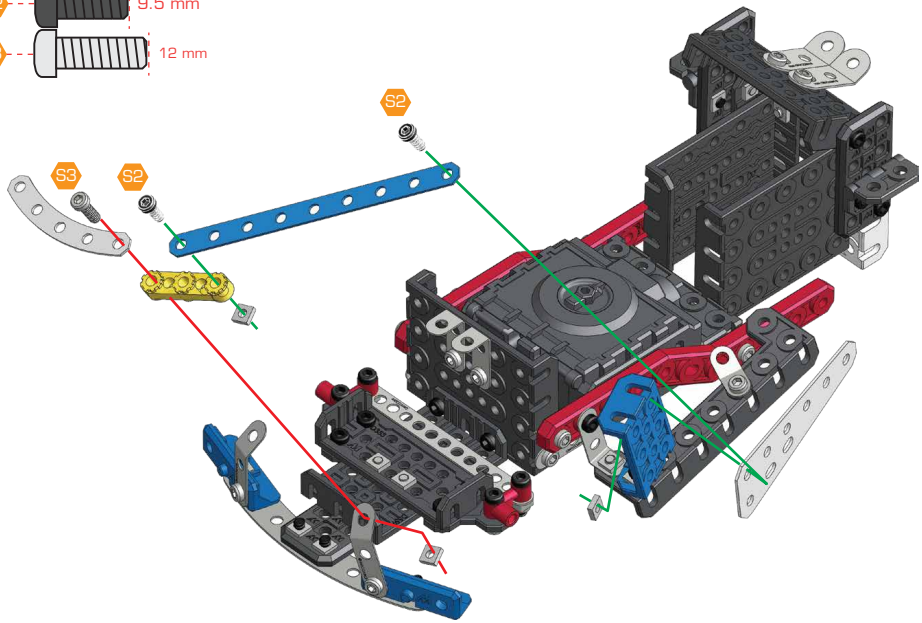


# 16

- S2  x 2
- S3  x 1
-  x 3
-  x 1
-  x 1
-  x 1
-  x 1

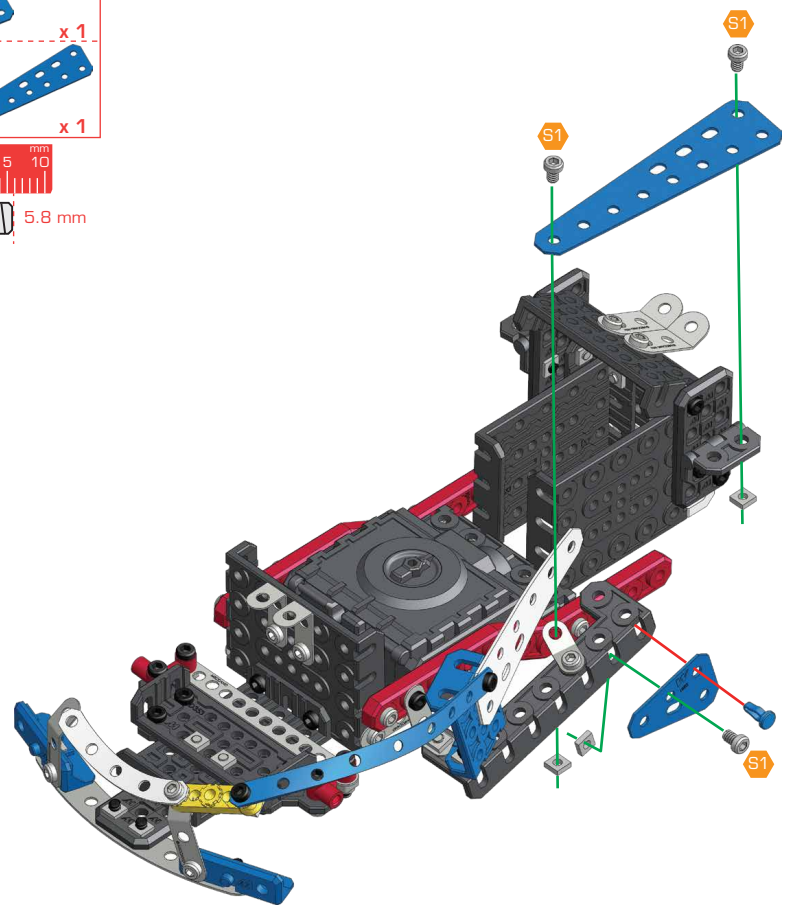


- S2  9.5 mm
- S3  12 mm



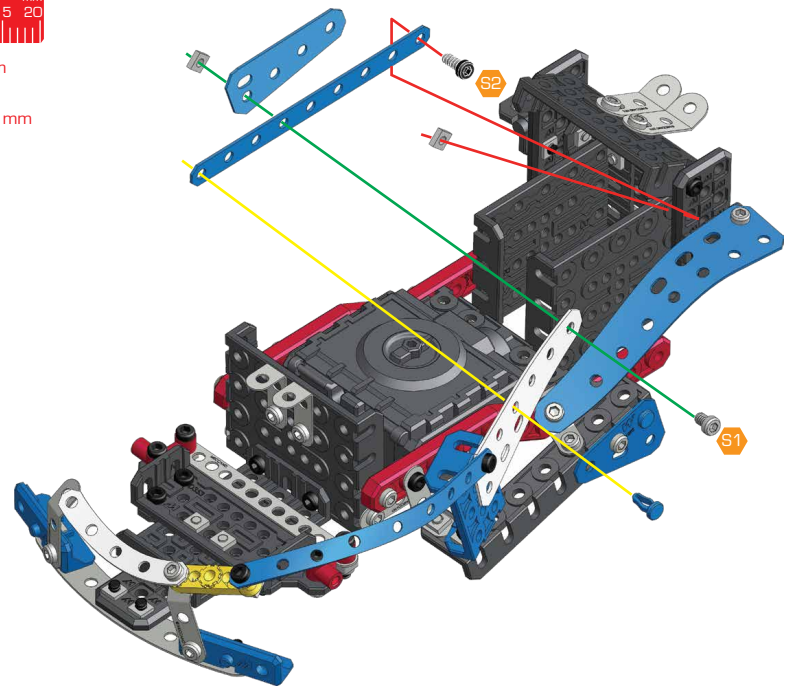
# 17

- S1 - x 3
  - x 1
  - x 3
  - x 1
  - x 1
- 0 5 10 mm
- S1 - 5.8 mm



# 18

- S1 - x 1
  - S2 - x 1
  - x 2
  - x 1
  - x 1
- 0 5 10 15 20 mm
- S1 - 5.8 mm
- S2 - 9.5 mm

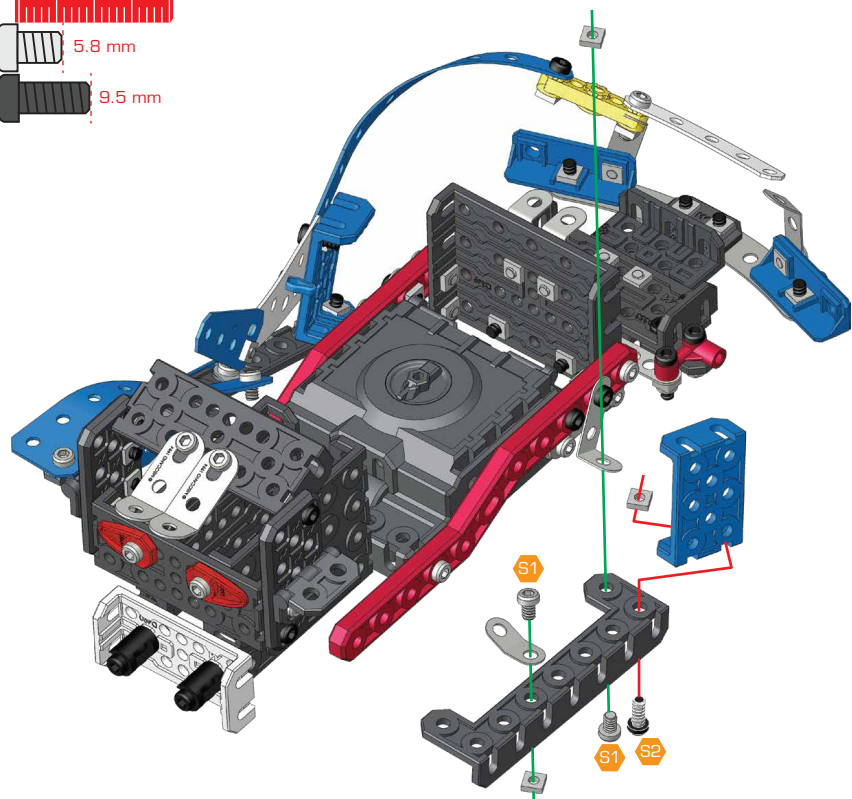


# 19

- S1 x 2
- S2 x 1
- x 3
- x 1
- x 1
- x 1



- S1 5.8 mm
- S2 9.5 mm

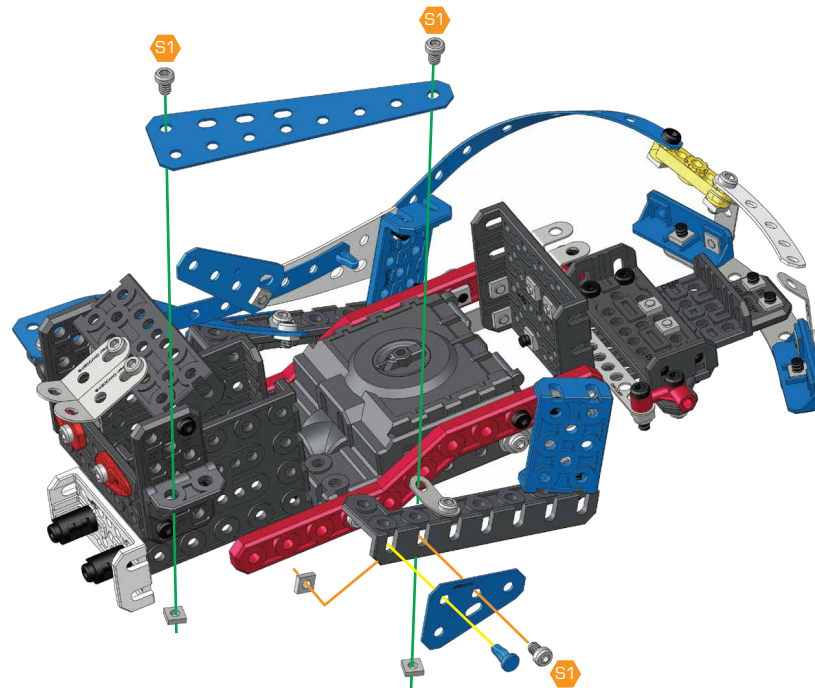


# 20

- S1 x 3
- x 1
- x 3
- x 1
- x 1



- S1 5.8 mm



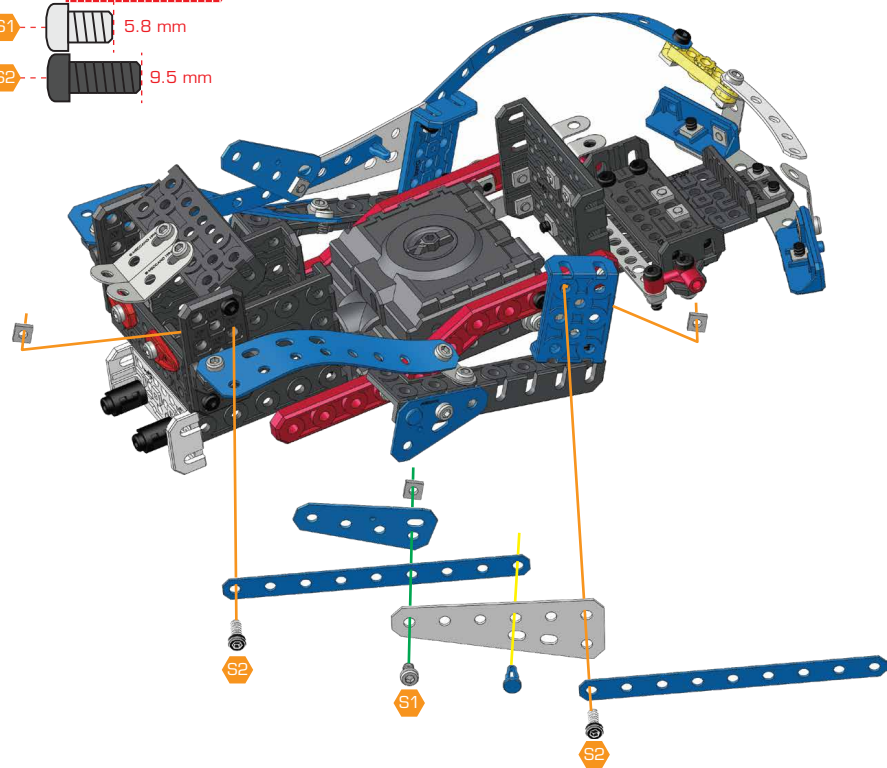


# 21

- S1 x 1
- S2 x 2
- x 3
- x 1
- x 1
- x 1
- x 1
- x 2



- S1 5.8 mm
- S2 9.5 mm

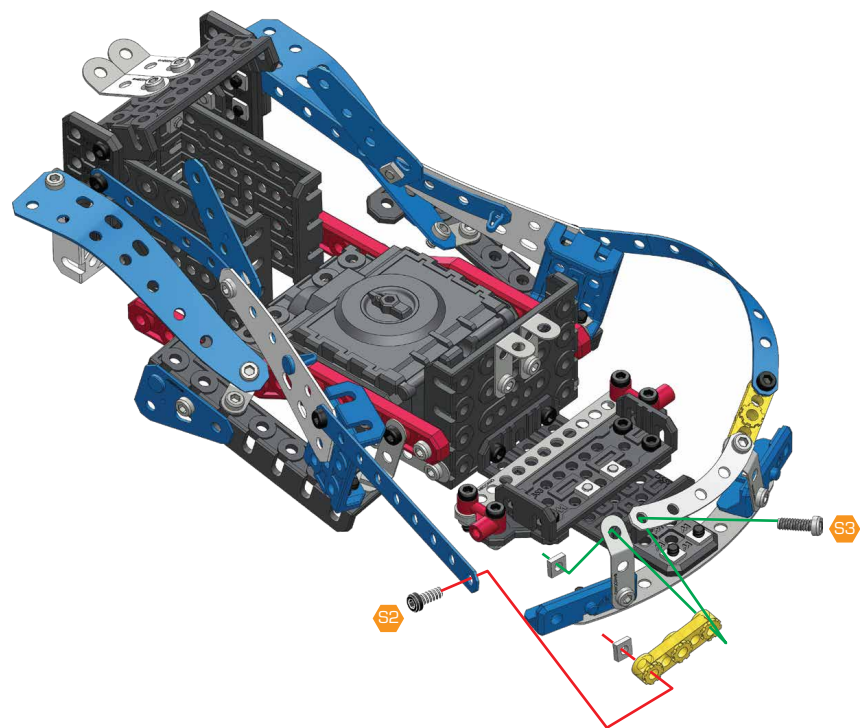


# 22

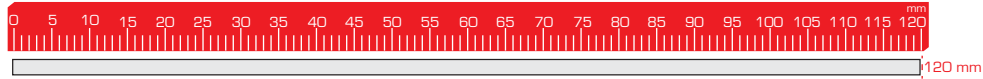
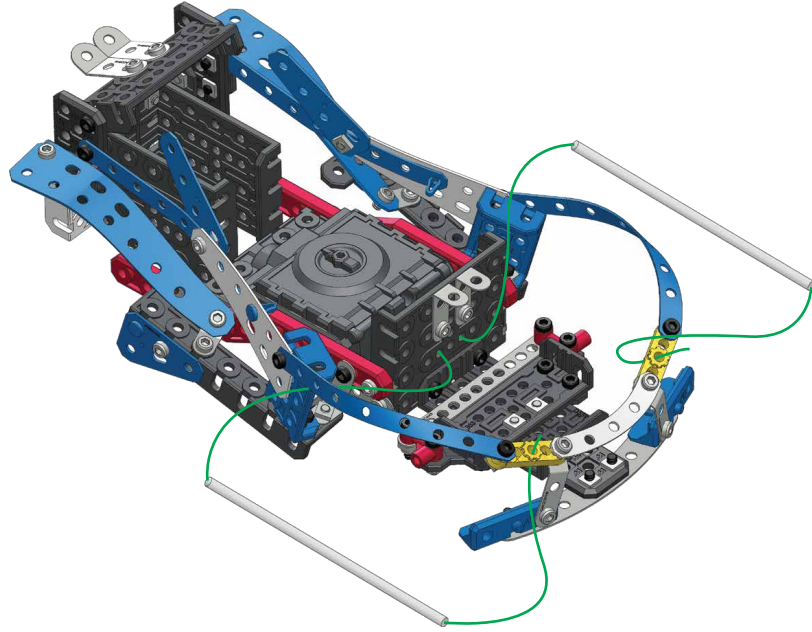
- S2 x 1
- S3 x 1
- x 2
- x 2
- x 1



- S2 9.5 mm
- S3 12 mm

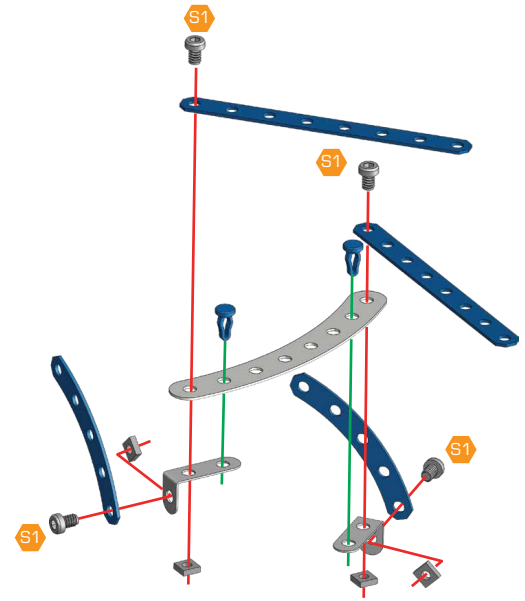


23



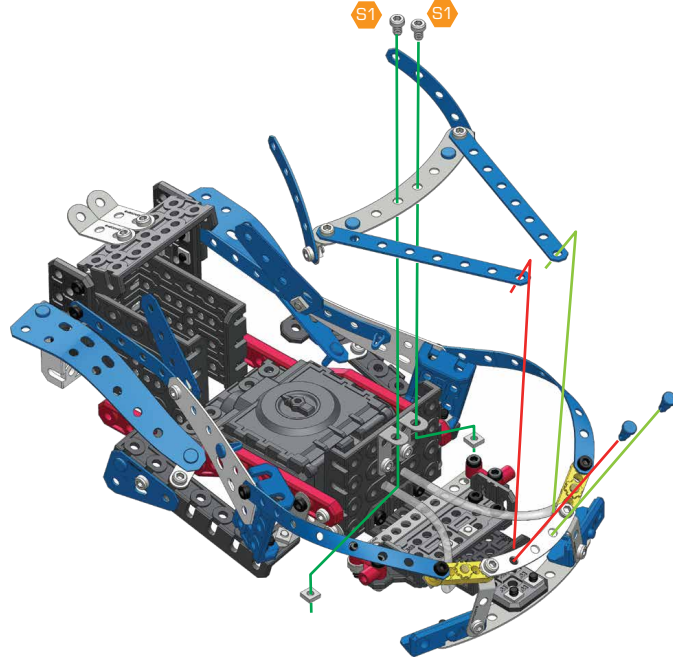
24

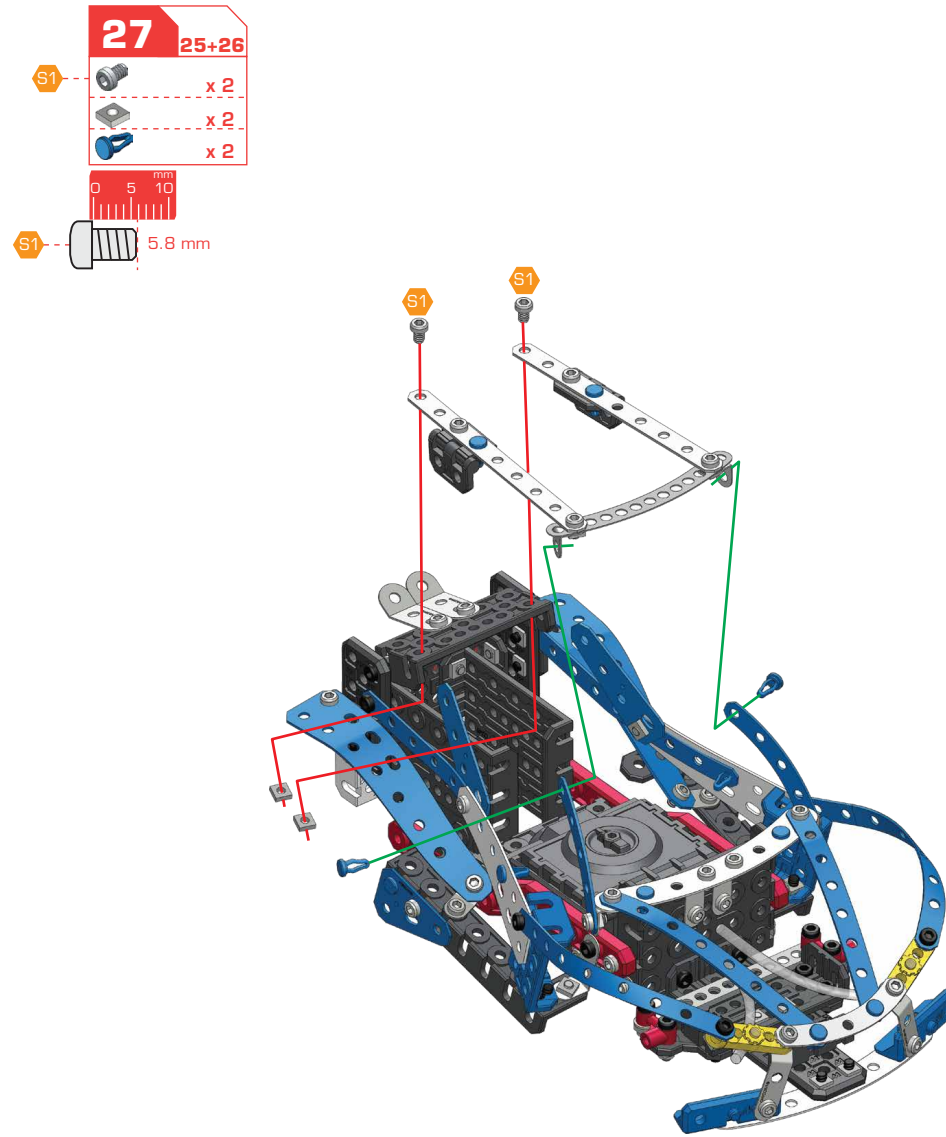
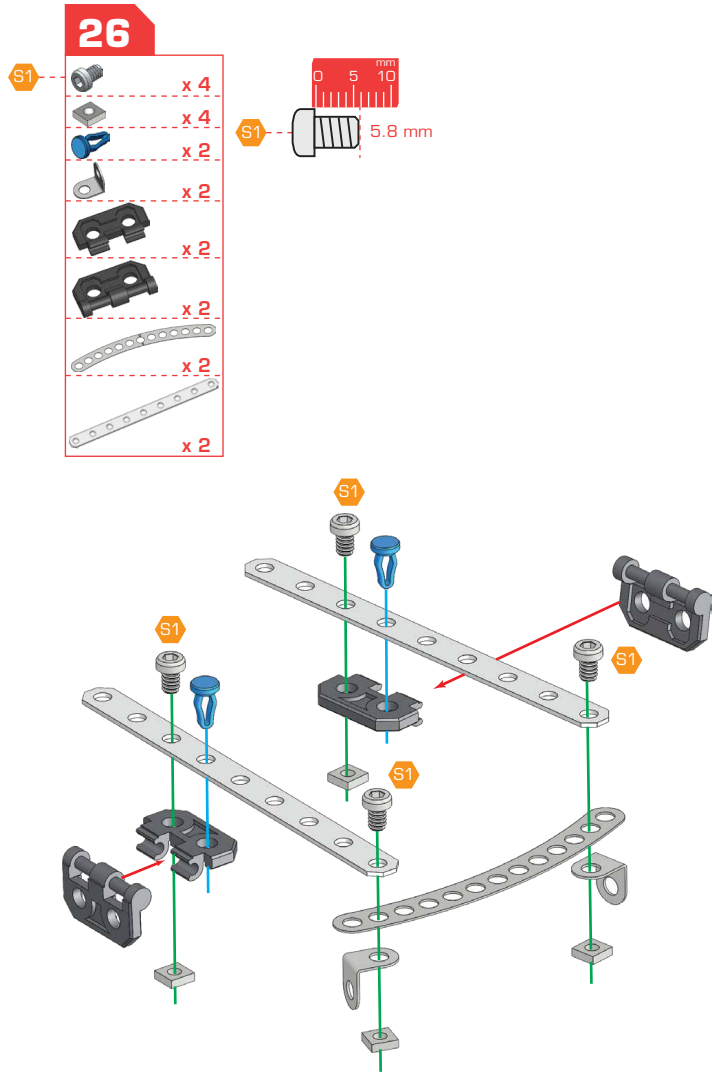
- x 4
- x 4
- x 2
- x 2
- x 1
- x 2
- x 2
- 5.8 mm



25 23+24

- x 2
- x 2
- x 2
- 5.8 mm



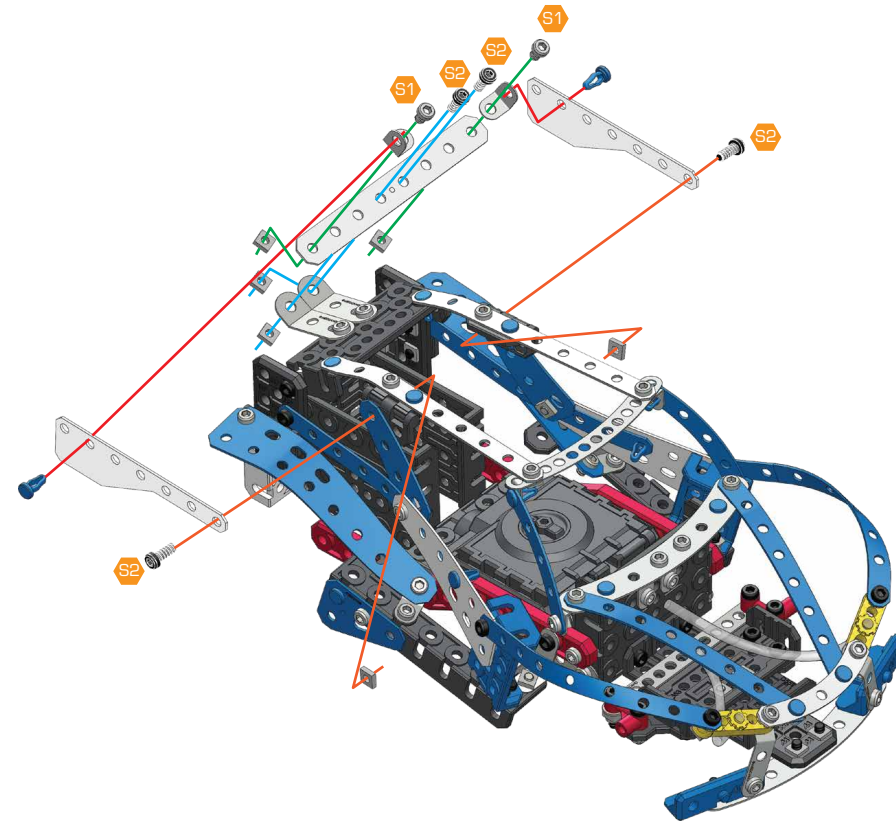


**28**

S1		x 2
S2		x 4
		x 6
		x 2
		x 2
		x 2
		x 1

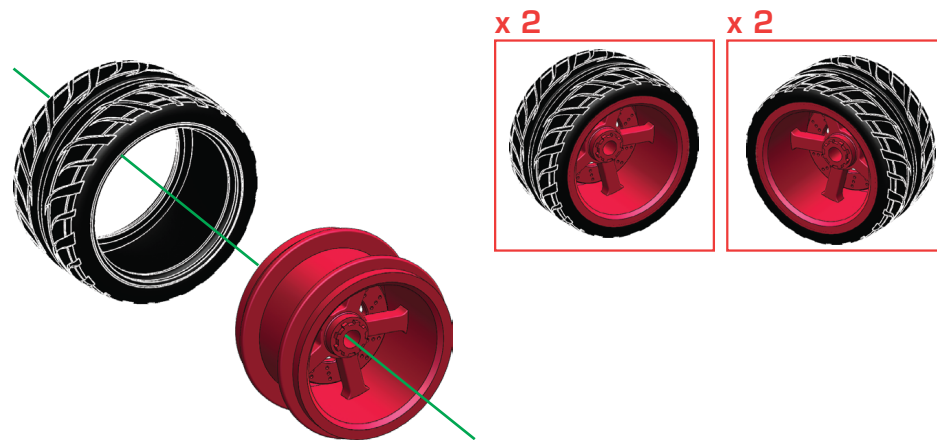
0 5 10 15 20 mm

S1		5.8 mm
S2		9.5 mm











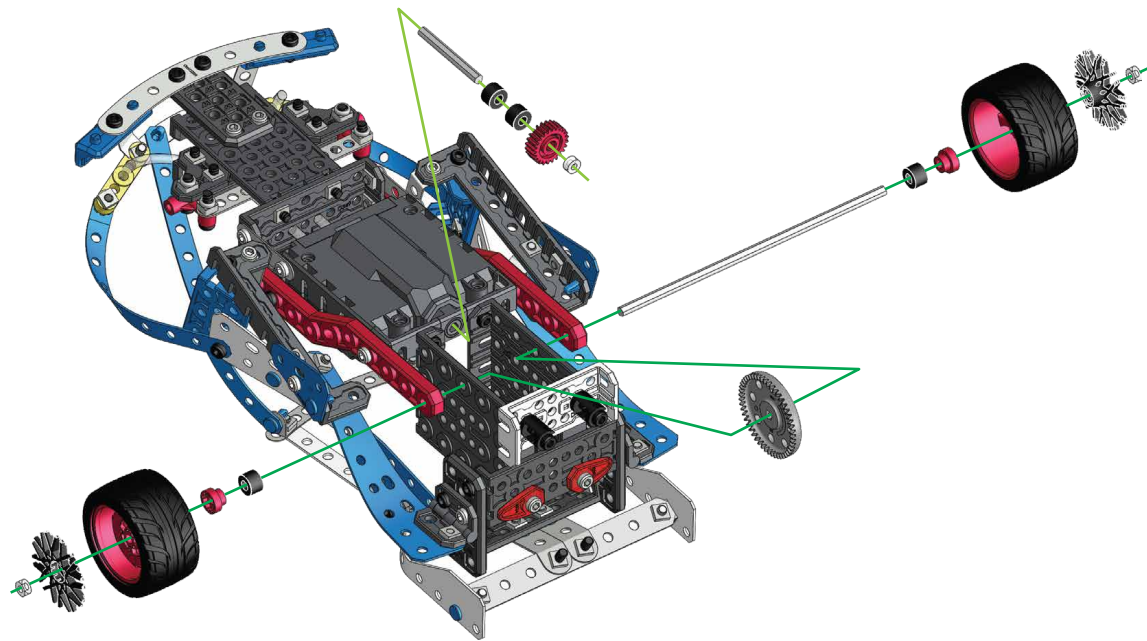
**29**


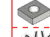

	x 4
	x 4





- 30** 28+29
-  x 1
  -  x 1
  -  x 4
  -  x 2
  -  x 3
  -  x 1
  -  x 2
  -  x 1



- 31** 29+30
-  x 2
  -  x 2
  -  x 2

