

1

- S2 x 4
- x 4
- x 2
- x 1

0 5 10 15 20 mm

S2 9.5 mm

2

- B1 x 4
- x 4
- x 2
- x 1

0 5 10 15 20 mm

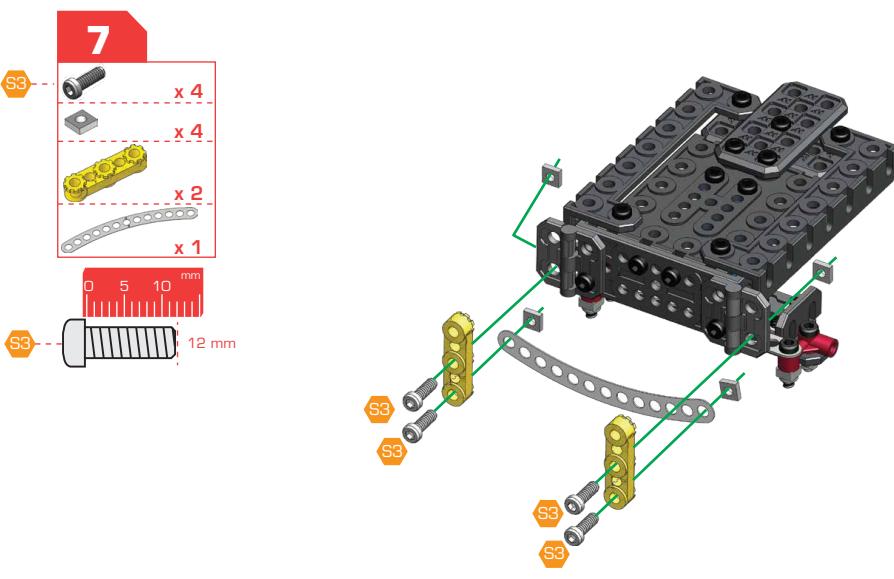
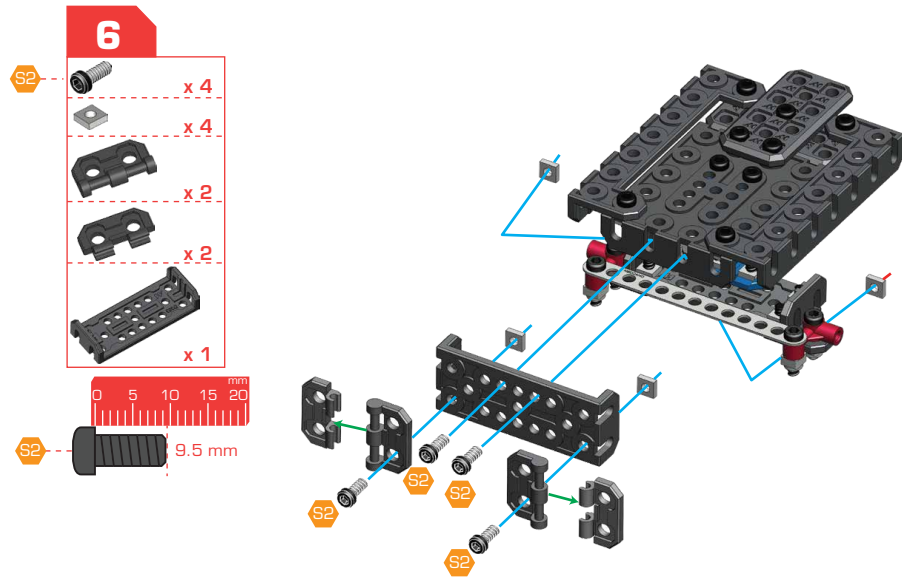
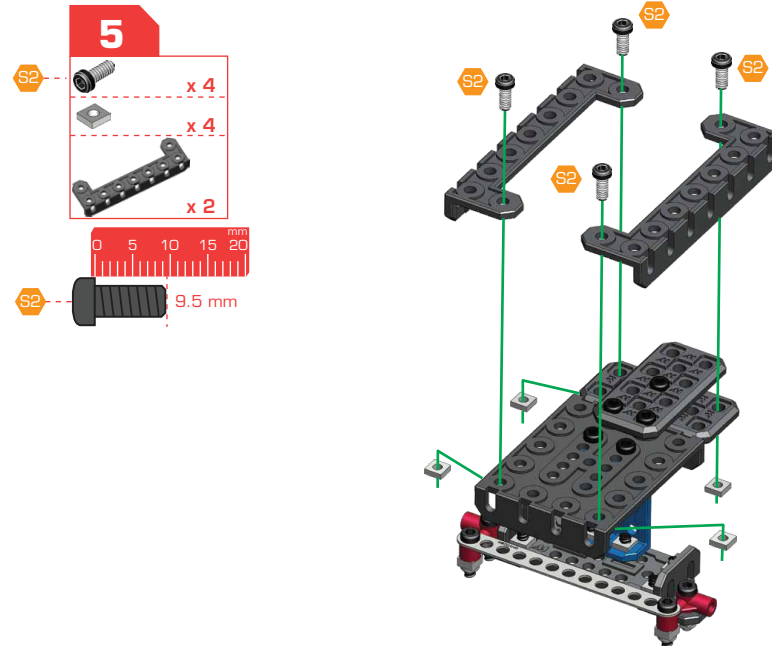
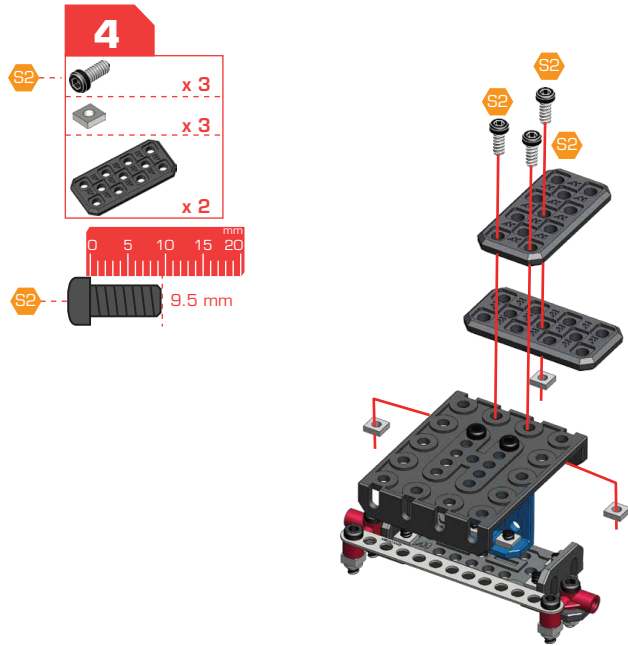
B1 14.7 mm

3

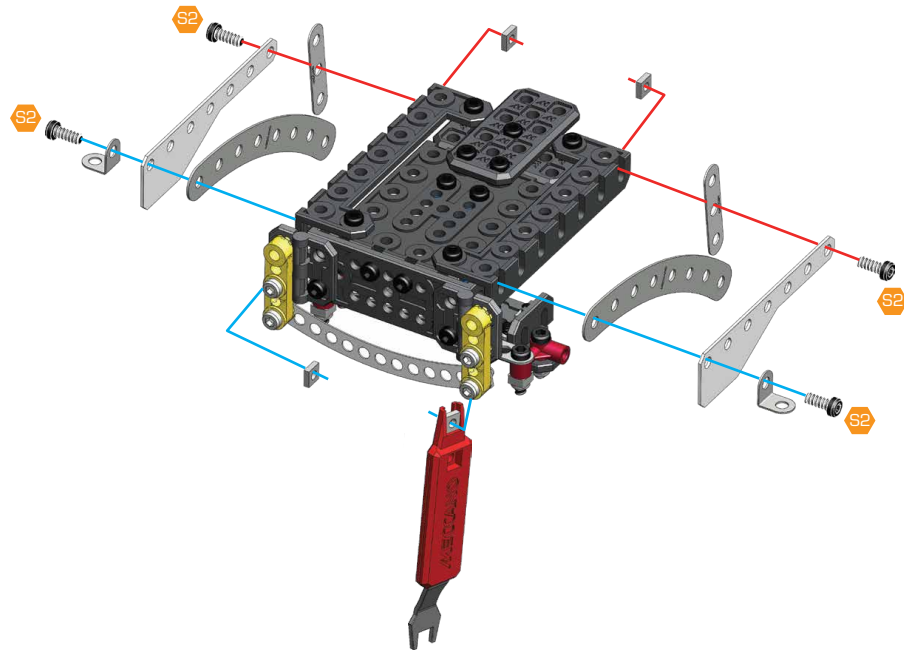
- S2 x 4
- x 4
- x 1
- x 1

0 5 10 15 20 mm

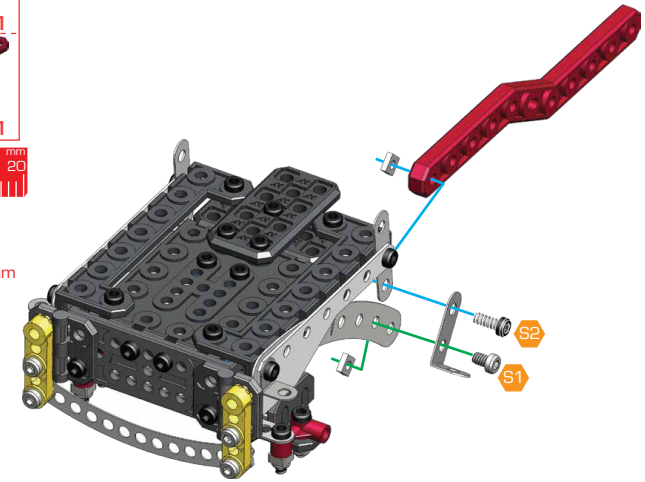
S2 9.5 mm



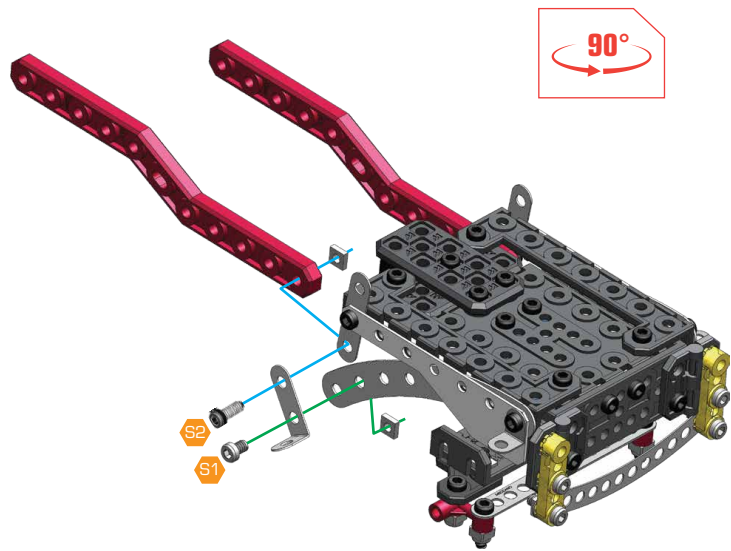
- 8**
- S2 x 4
 - x 4
 - x 2
 - x 2
 - x 2
 - x 2
- 0 5 10 15 20 mm
- S2 9.5 mm



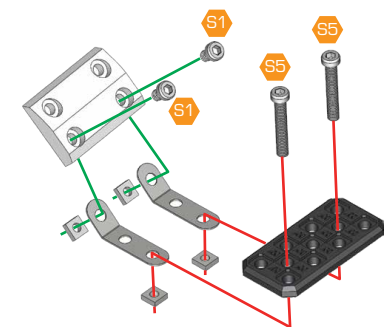
- 9**
- S1 x 1
 - S2 x 1
 - x 2
 - x 1
 - x 1
- 0 5 10 15 20 mm
- S1 5.8 mm
 - S2 9.5 mm







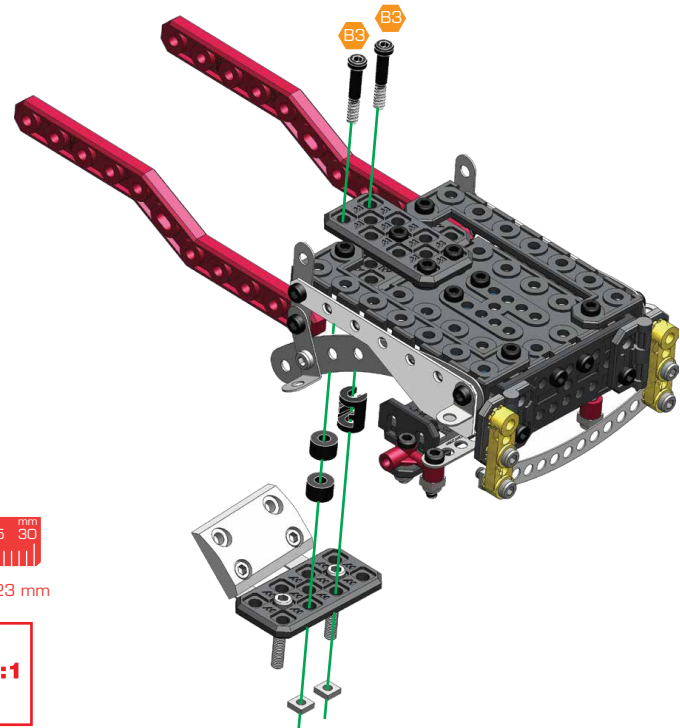
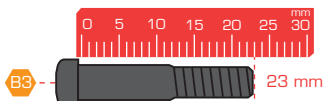
- 10**
- S1 x 1
 - S2 x 1
 - x 2
 - x 1
 - x 1
- 0 5 10 15 20 mm
- S1 5.8 mm
 - S2 9.5 mm







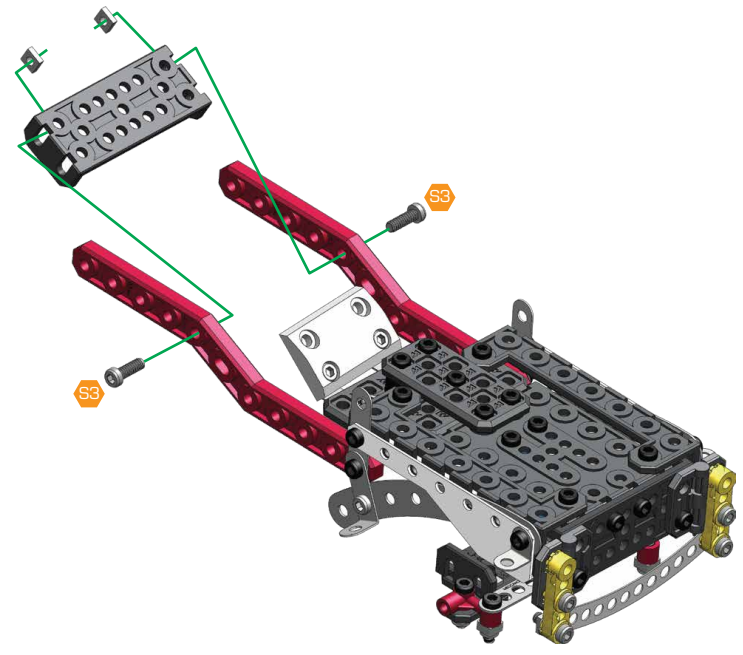
- 11**
- S1 x 2
 - S5 x 2
 - x 4
 - x 2
 - x 1
 - x 1
- 0 5 10 15 20 25 30 mm
- S1 5.8 mm
 - S5 25.4 mm








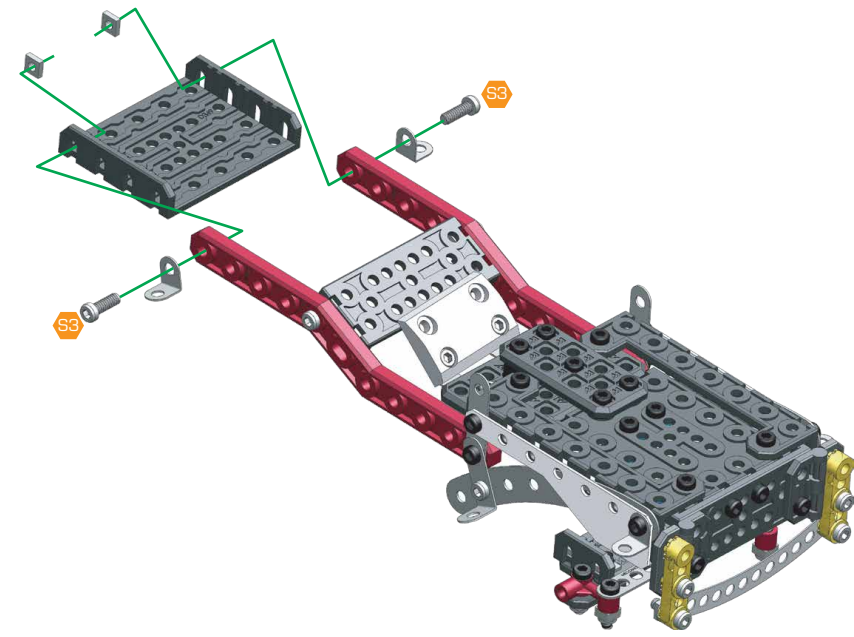
- 12** 10+11
-  x 2
 -  x 2
 -  x 2
 -  x 1

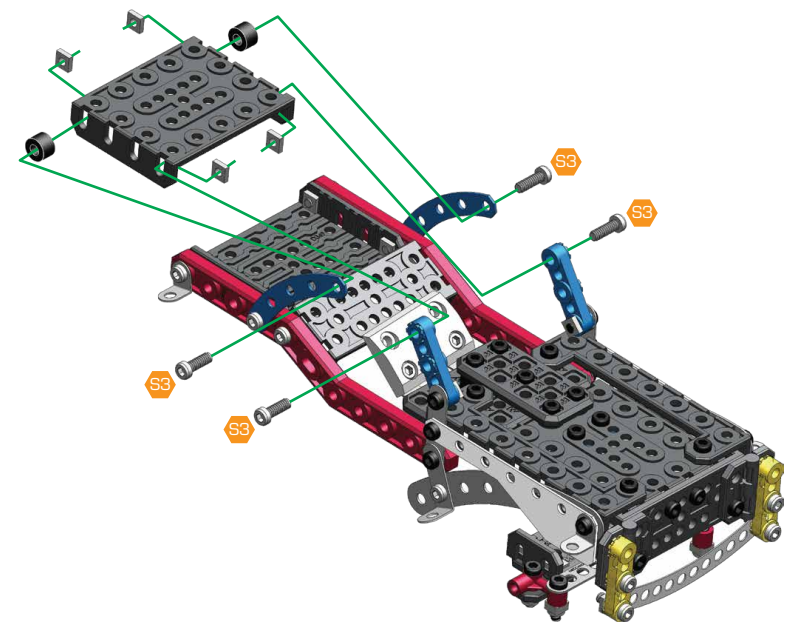
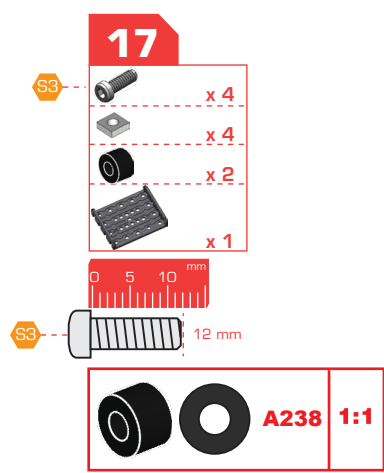
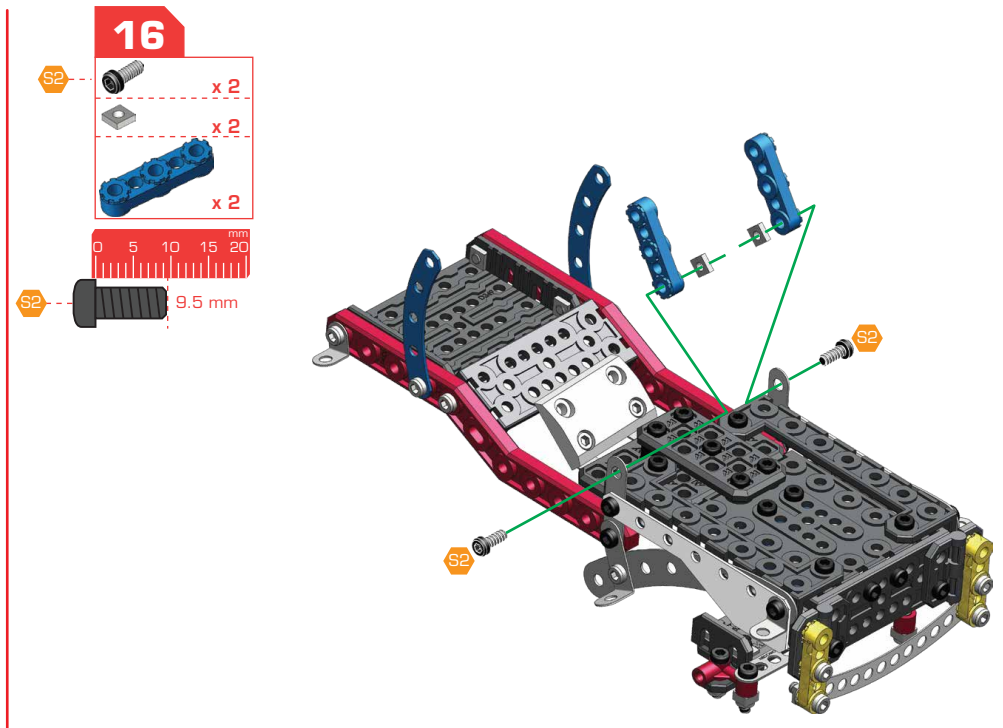
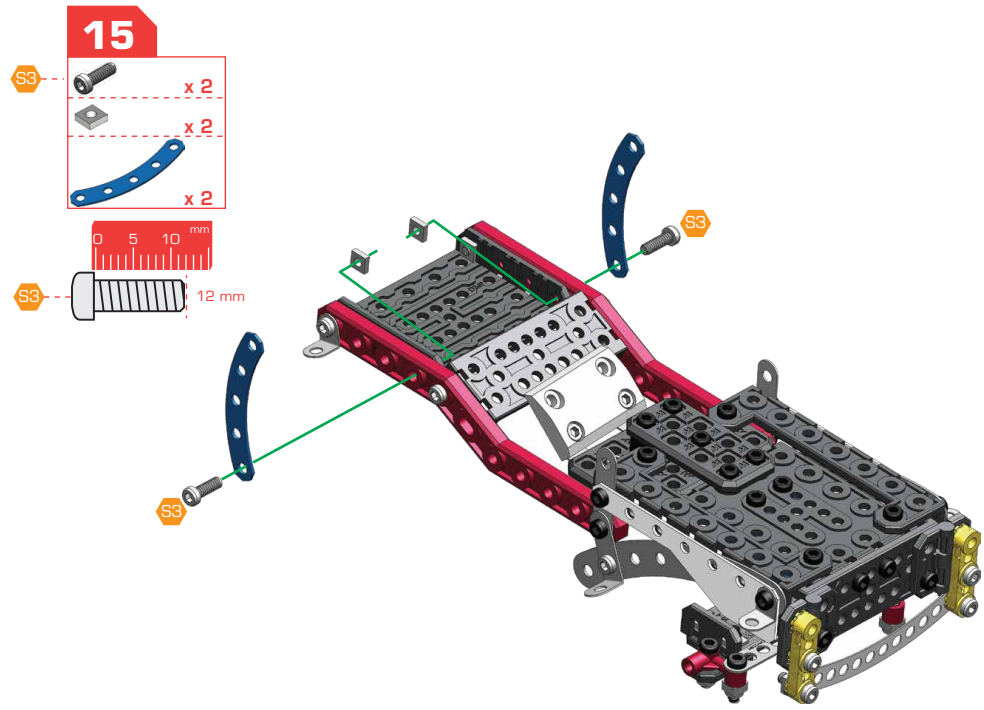


- 13**
-  x 2
 -  x 2
 -  x 1
 -  12 mm

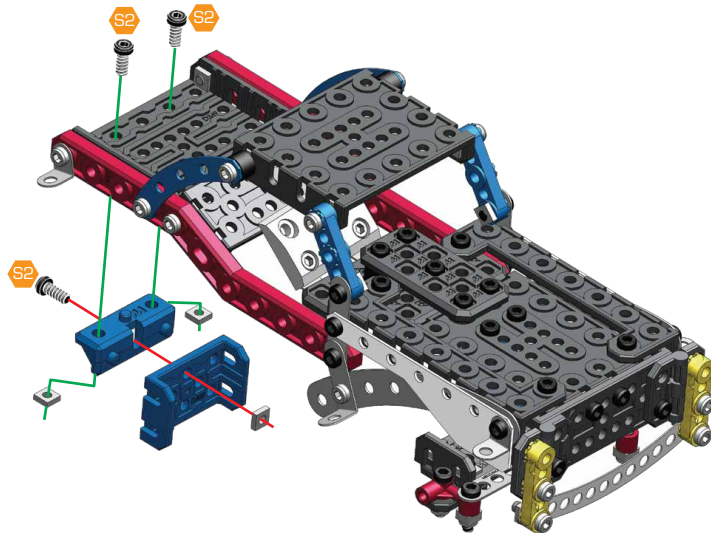


- 14**
-  x 2
 -  x 2
 -  x 2
 -  x 1
 -  12 mm

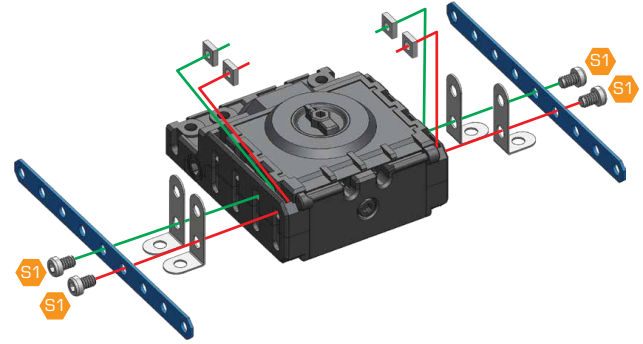




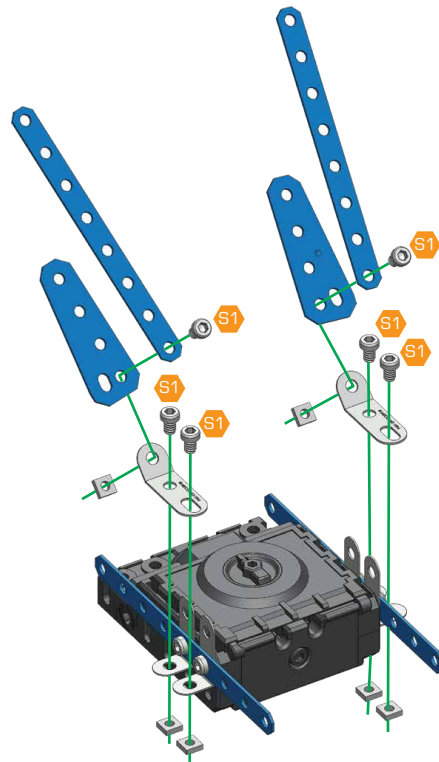
- 18**
- x 3
 - x 3
 - x 1
 - x 1
- 0 5 10 15 20 mm
- 9.5 mm



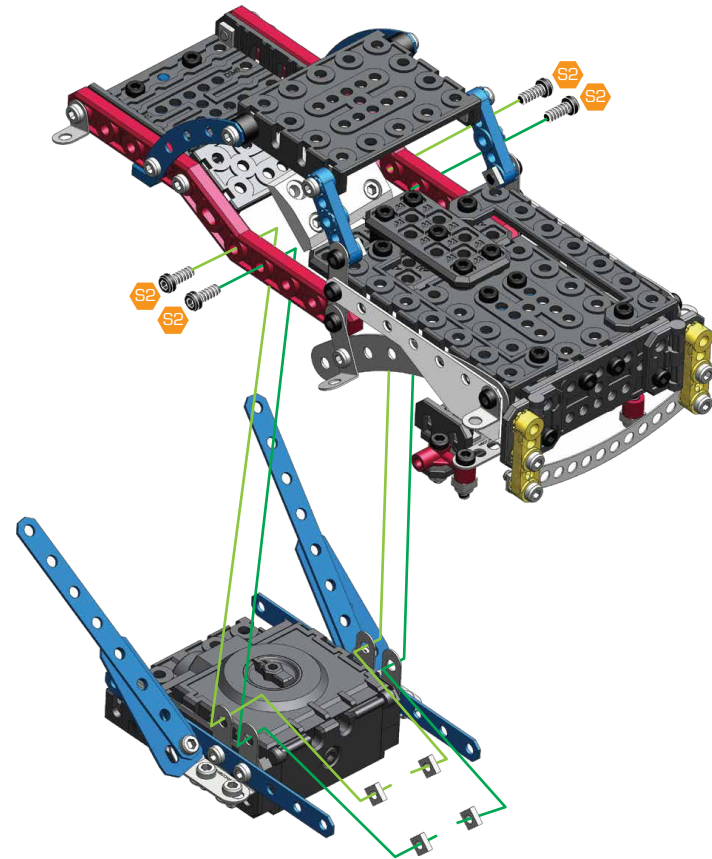
- 19**
- x 4
 - x 4
 - x 4
 - x 2
 - x 1
- 0 5 10 mm
- 5.8 mm



- 20**
- x 6
 - x 6
 - x 2
 - x 2
- 0 5 10 mm
- 5.8 mm



- 21** 18+20
- x 4
 - x 4
- 0 5 10 15 20 mm
- 9.5 mm

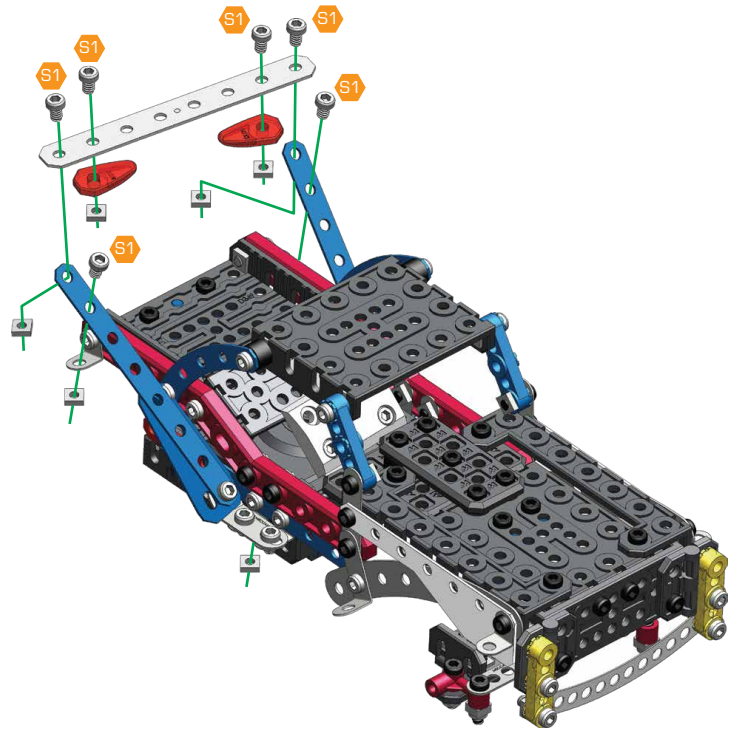


22

- x 6
- x 6
- x 2
- x 1

5.8 mm

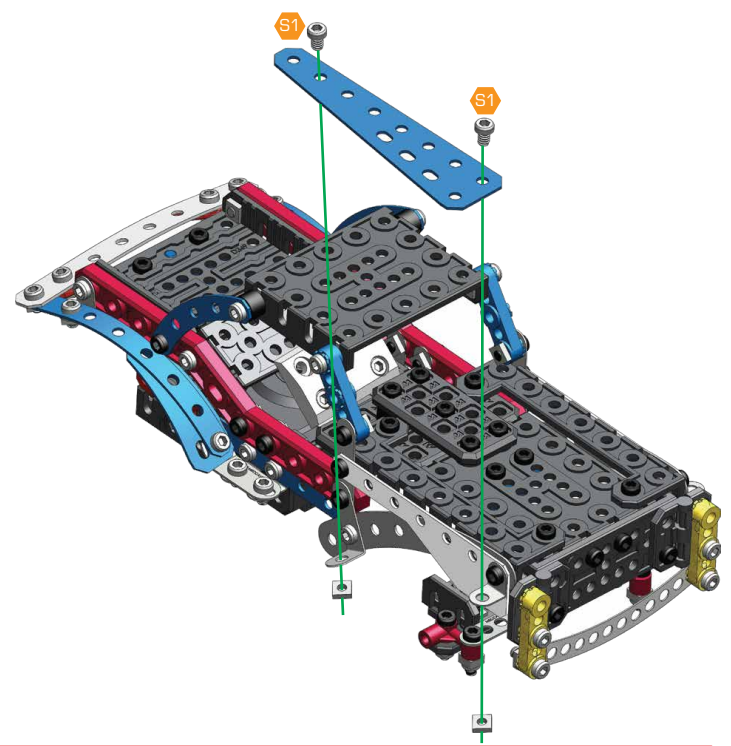
5.8 mm



23

- x 2
- x 2
- x 1

5.8 mm

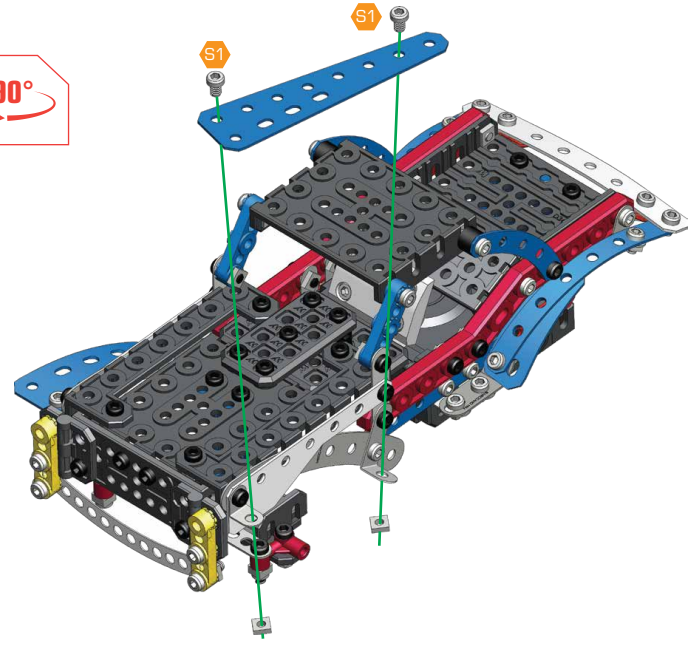


24

- x 2
- x 2
- x 1

90°

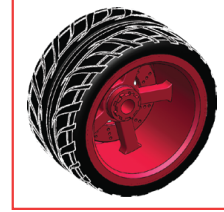
5.8 mm



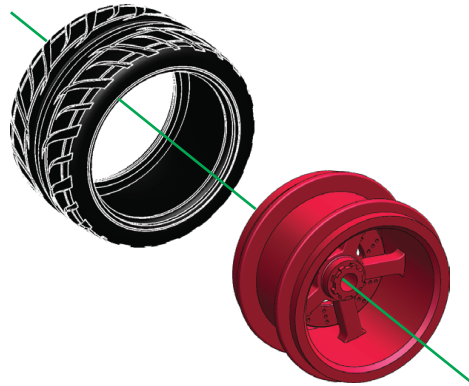
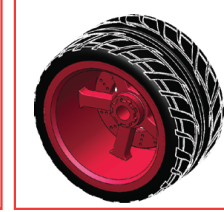
25



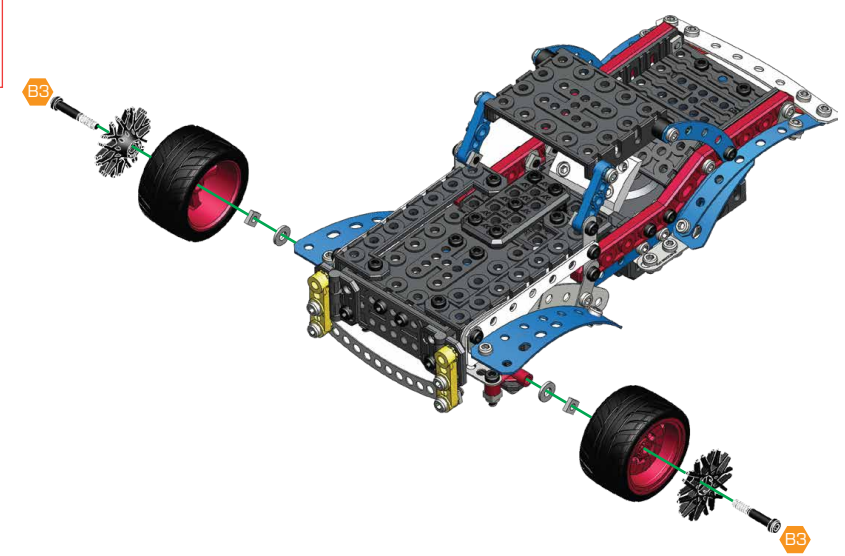
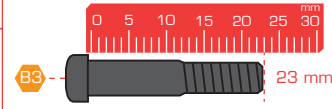
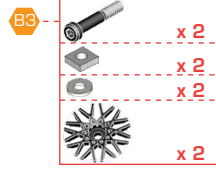
x 2



x 2



26 24+25



27

25+26

