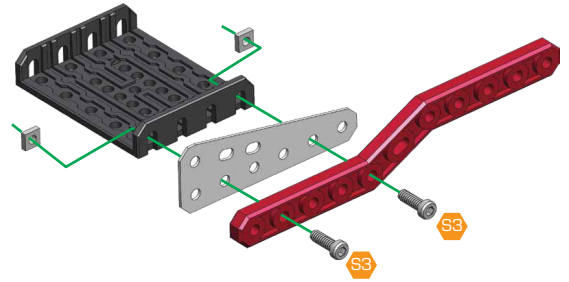
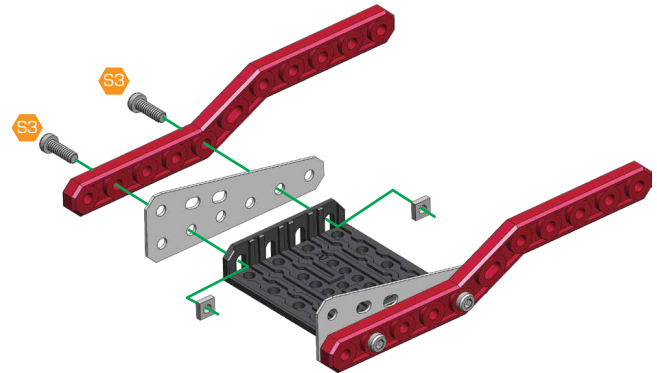


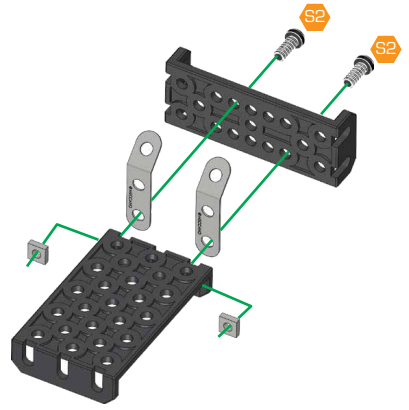
- 1**
- S3 x 2
 - x 2
 - x 1
 - x 1
 - x 1
 - 0 5 10 mm
 - S3 12 mm



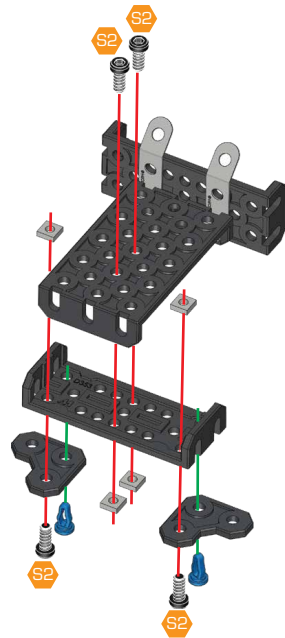
- 2**
- S3 x 2
 - x 2
 - x 1
 - x 1
 - 0 5 10 mm
 - S3 12 mm



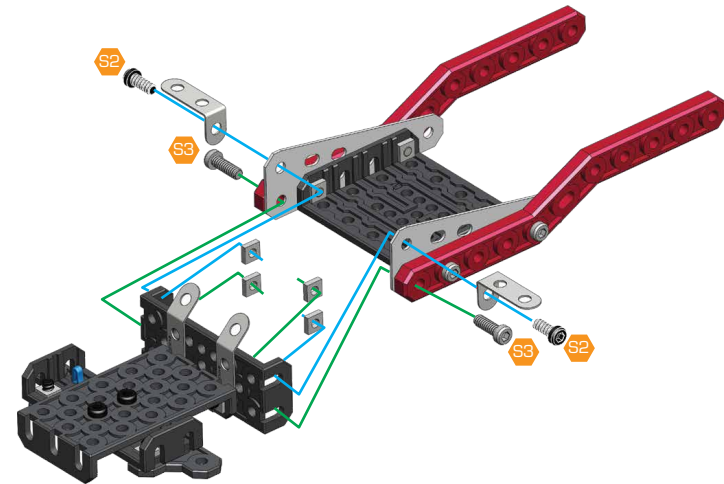
- 3**
- S2 x 2
 - x 2
 - x 2
 - x 1
 - x 1
 - 0 5 10 15 20 mm
 - S2 9.5 mm



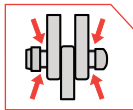
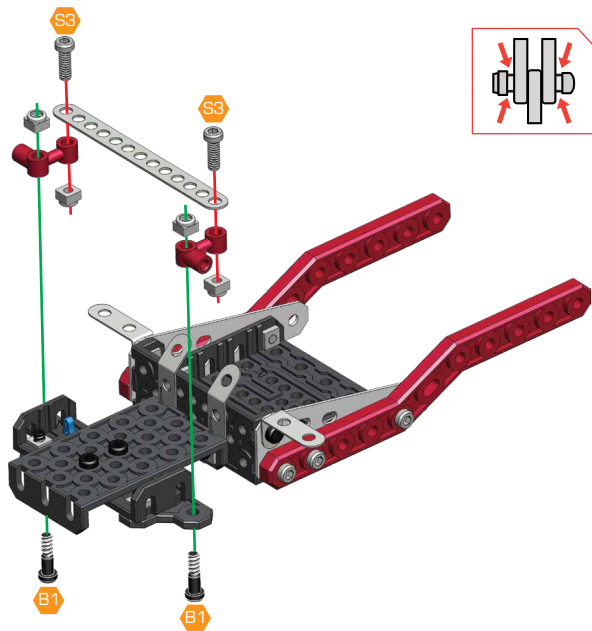
- 4**
- S2 x 4
 - x 4
 - x 2
 - x 2
 - x 1
- 0 5 10 15 20 mm
- S2 9.5 mm



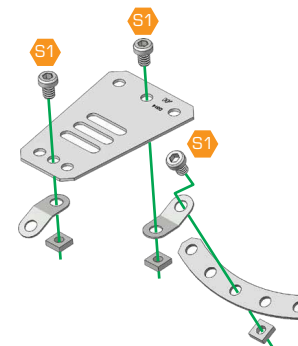
- 5** 2+4
- S2 x 2
 - S3 x 2
 - x 4
 - x 2
- 0 5 10 mm
- S2 9.5 mm
- S3 12 mm

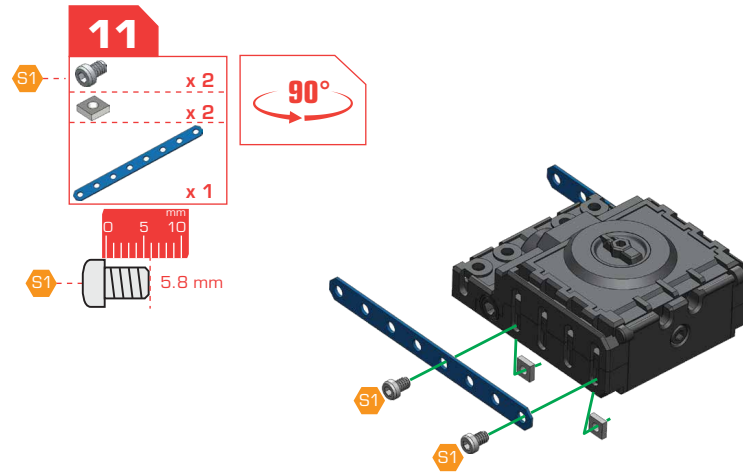
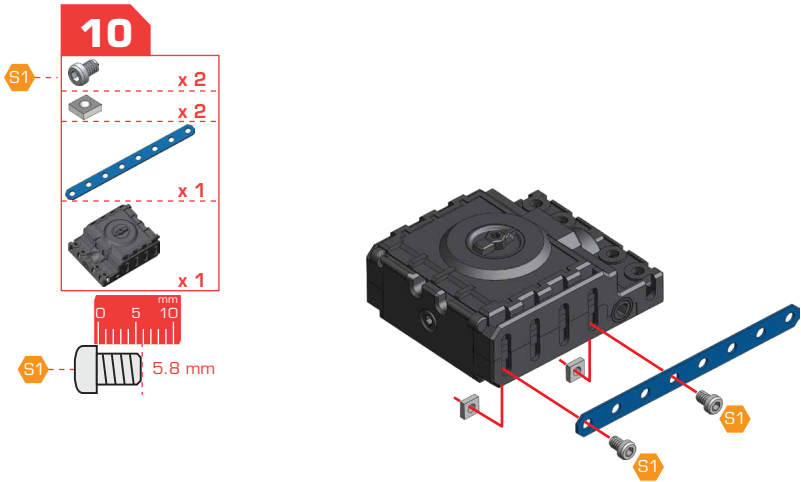
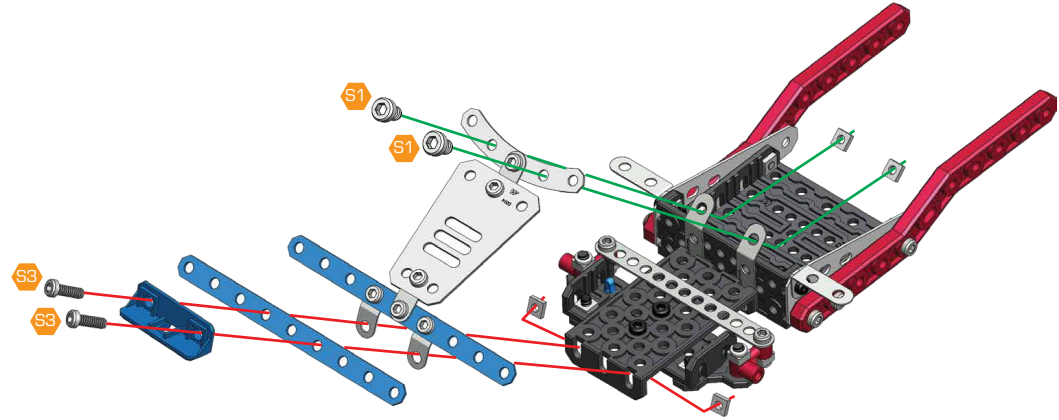
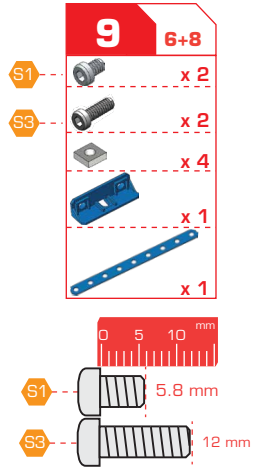
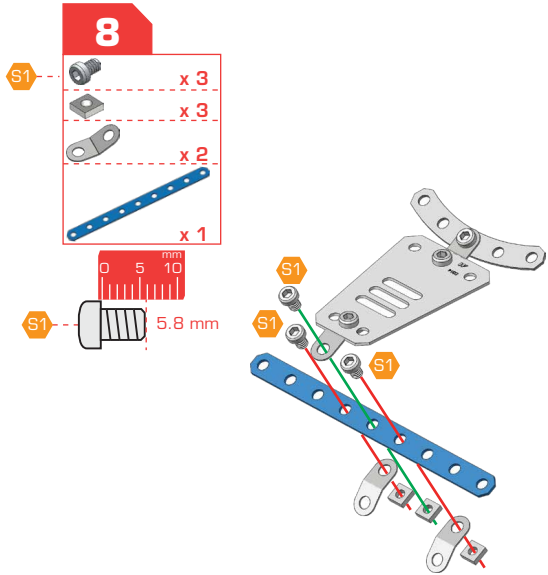


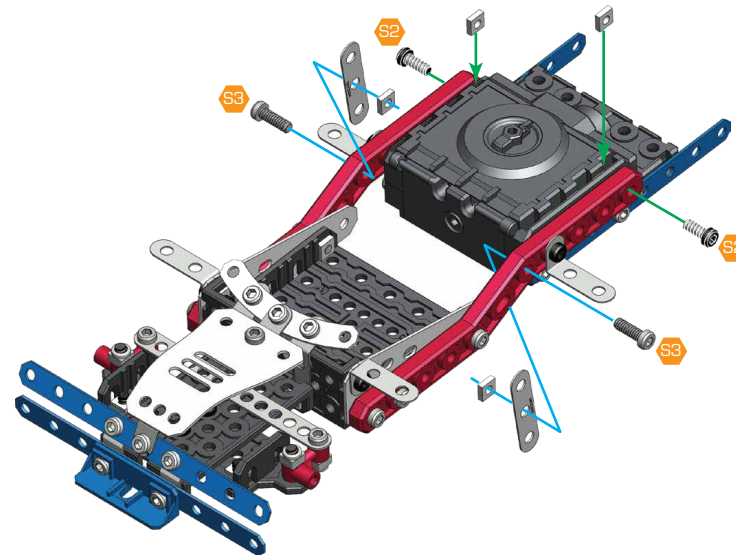
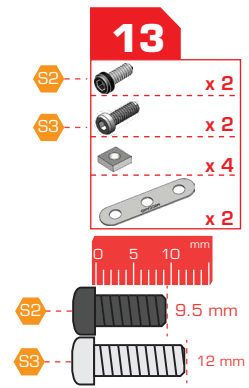
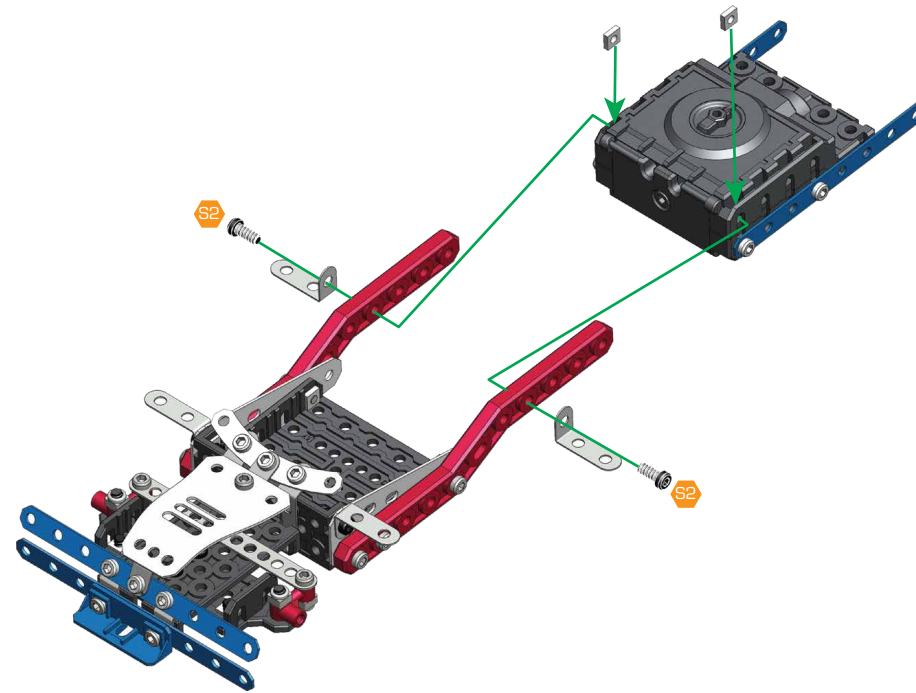
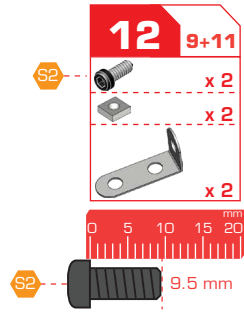
- 6**
- S3 x 2
 - B1 x 2
 - x 4
 - x 2
 - x 1
- 0 5 10 15 20 mm
- S3 12 mm
- B1 14.7 mm

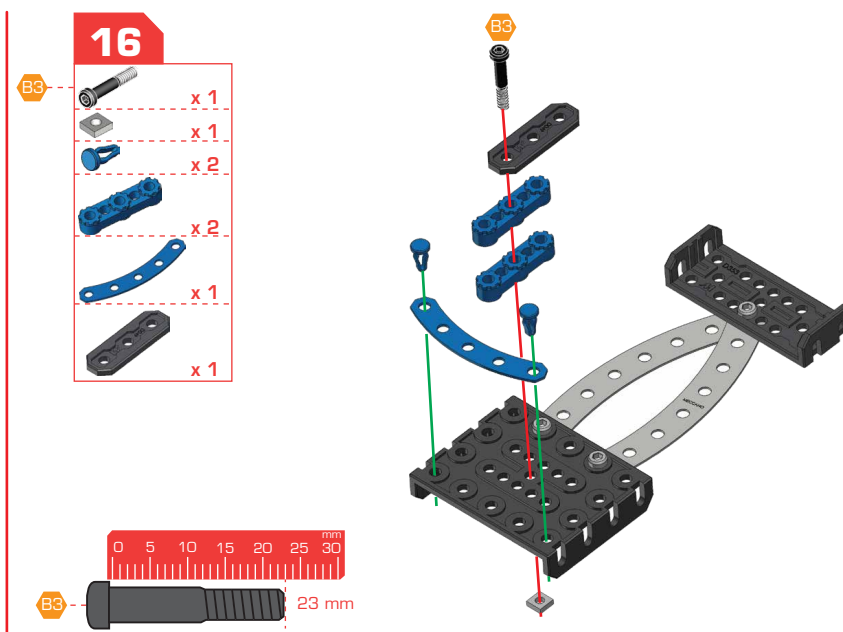
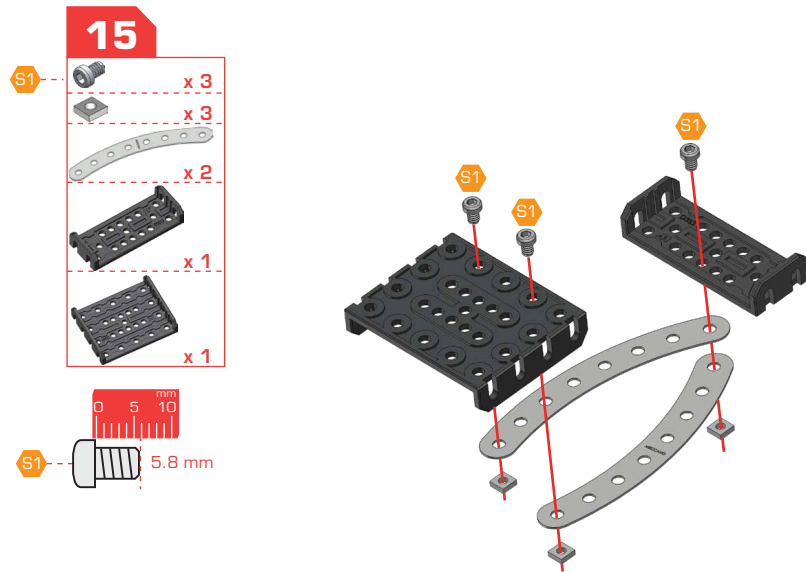
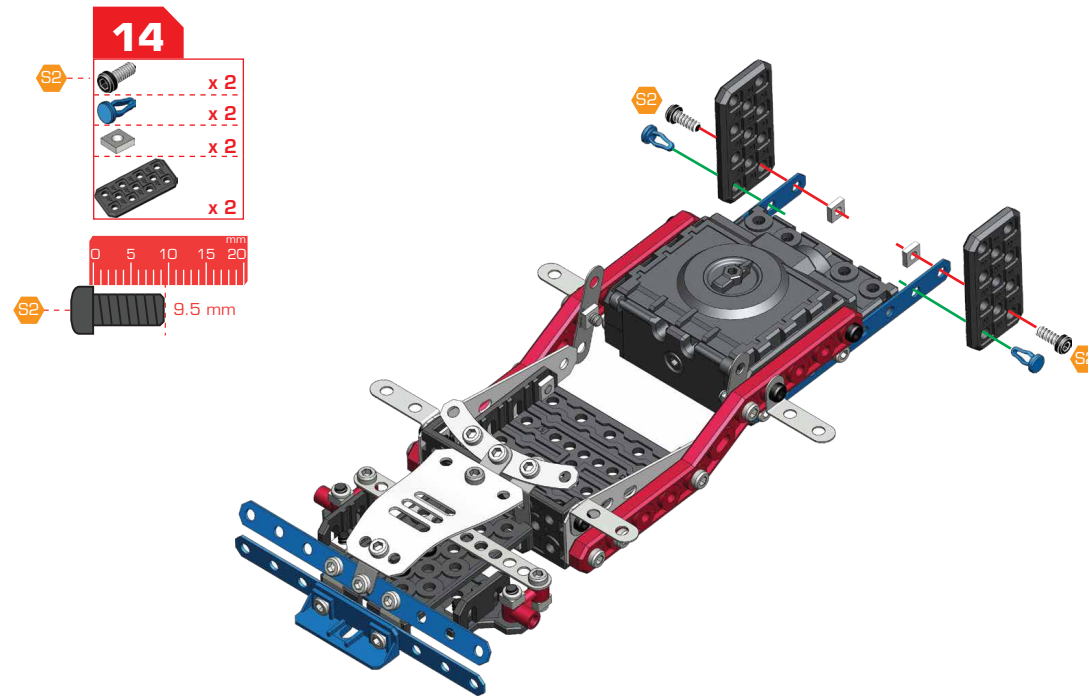


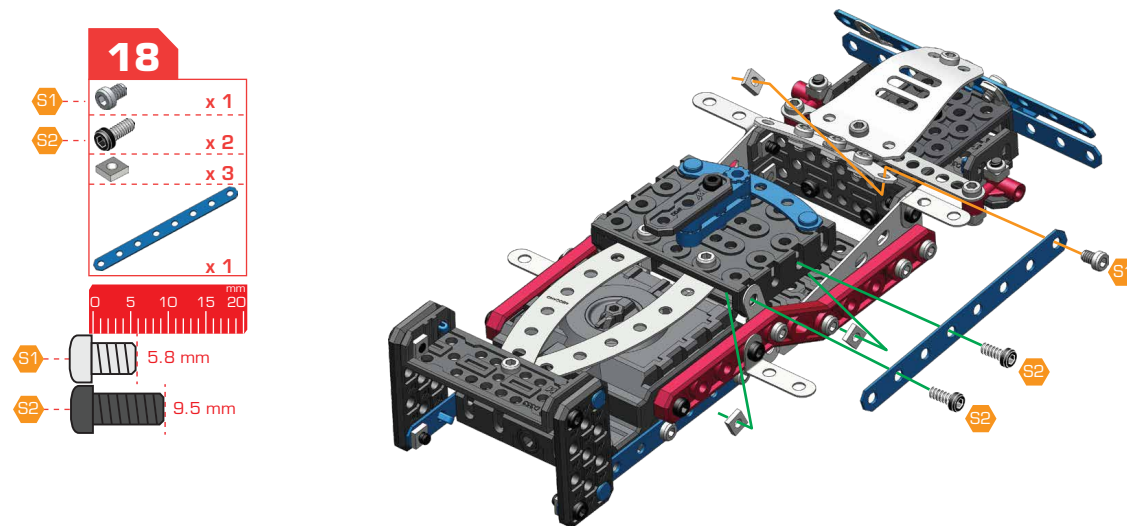
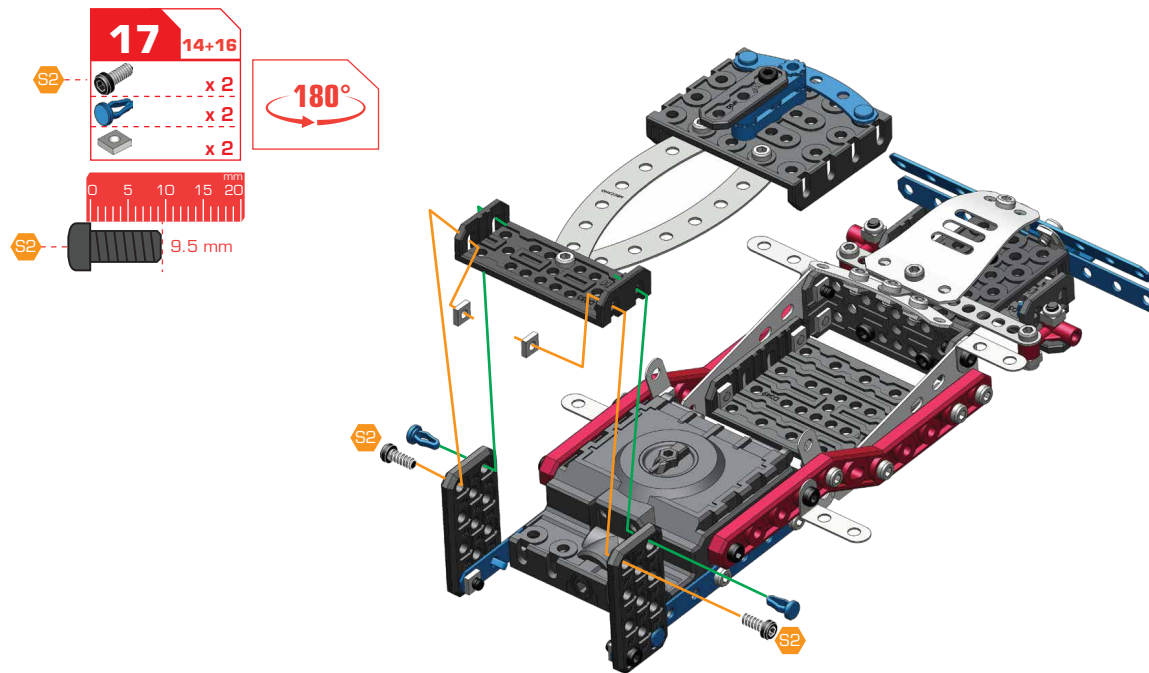
- 7**
- S1 x 3
 - x 3
 - x 2
 - x 1
 - x 1
- 0 5 10 mm
- S1 5.8 mm

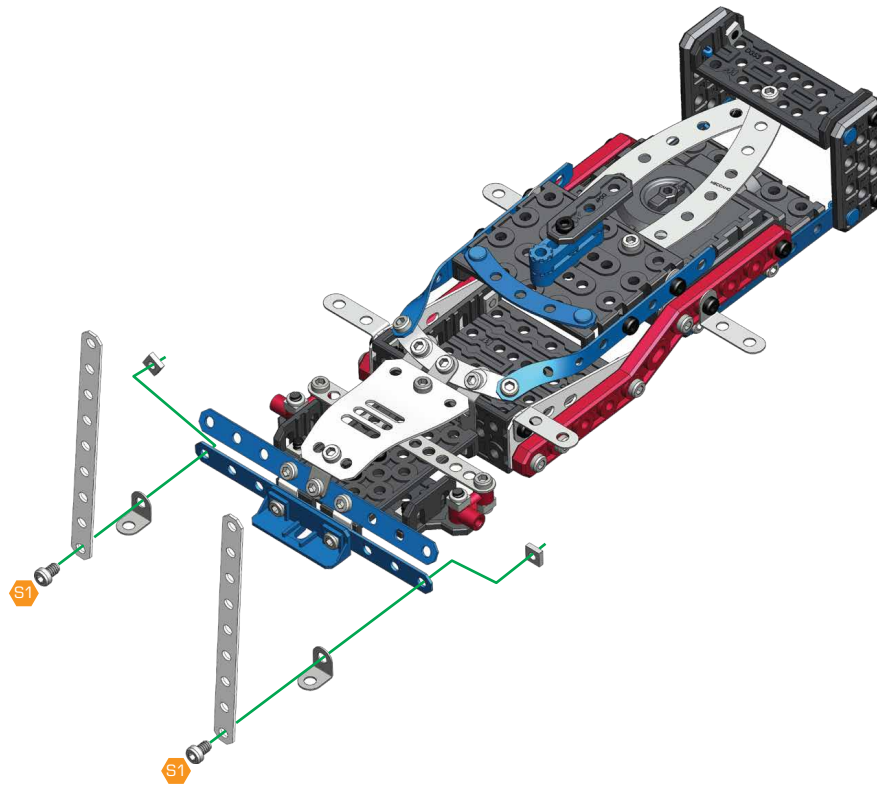
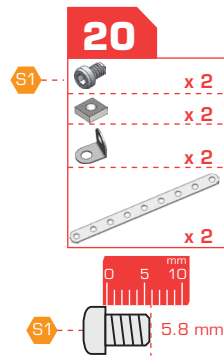
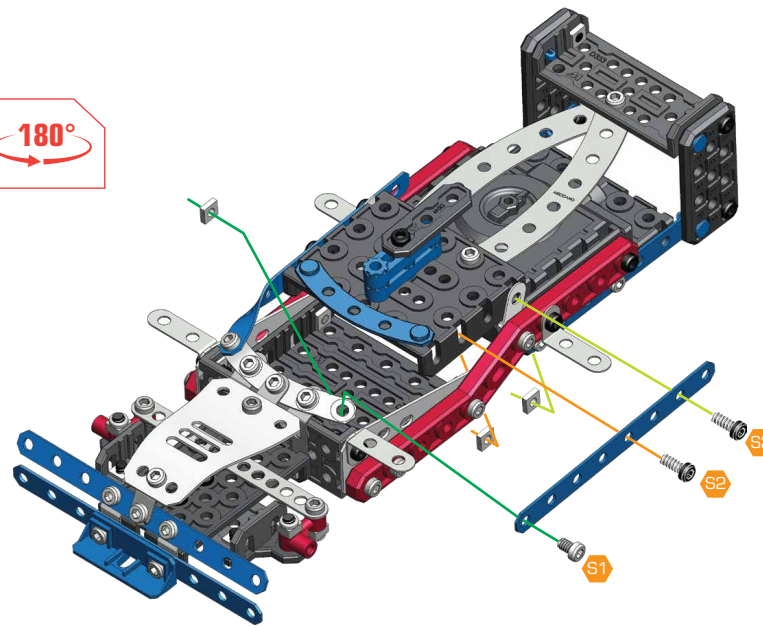
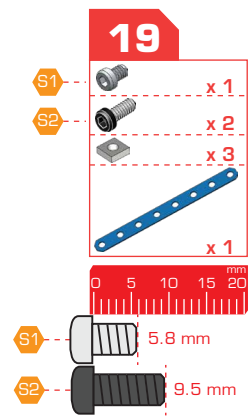








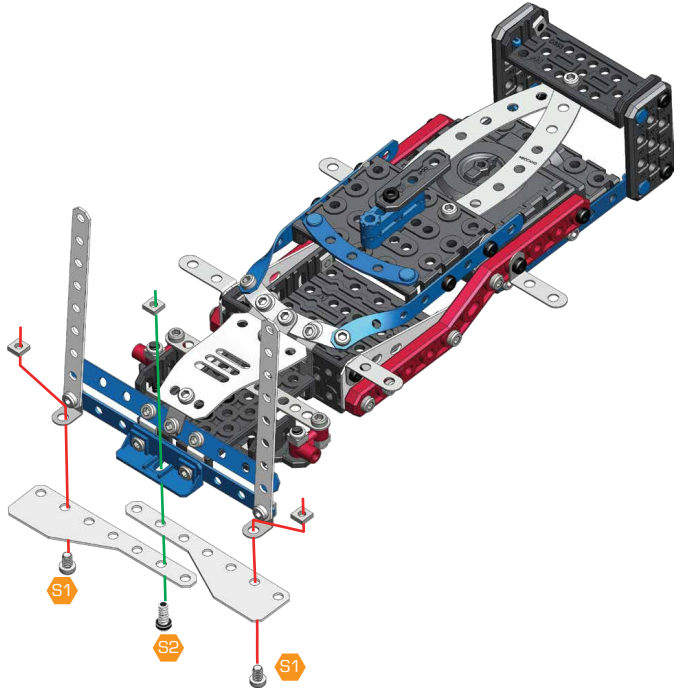




21

- S1 x 2
- S2 x 1
- x 3
- x 2

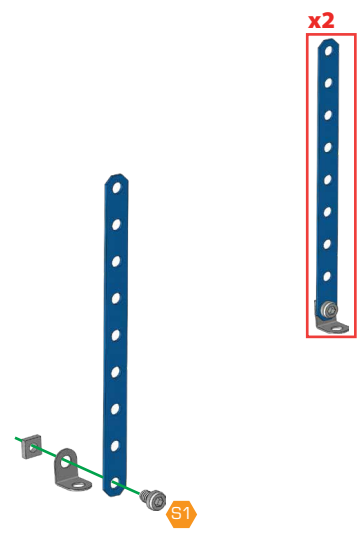
- S1 5.8 mm
- S2 9.5 mm



22

- S1 x 2
- x 2
- x 2
- x 2
- x 2

- S1 5.8 mm



23 21+22

- S1 x 2
- x 2

- S1 5.8 mm

