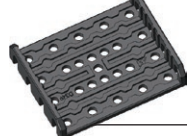
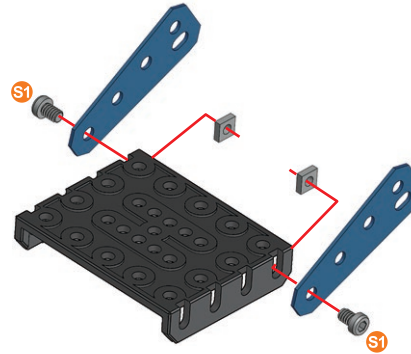





**1**

|  |                  |    |
|--|------------------|----|
|   | 5.8 mm<br>15/64" | x2 |
|   |                  | x2 |
|  |                  | x2 |
|  |                  | x1 |

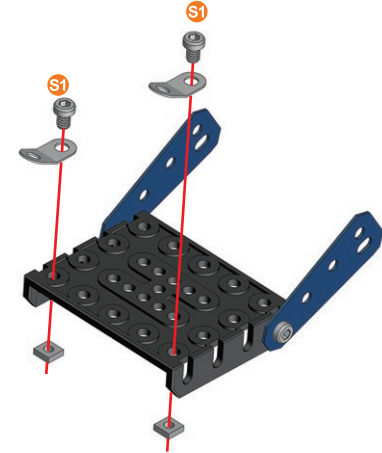
|   |    |     |
|---|----|-----|
|  | S1 | 1:1 |
|---|----|-----|






**2**

|   |                  |    |
|---|------------------|----|
|  | 5.8 mm<br>15/64" | x2 |
|  |                  | x2 |
|  |                  | x2 |

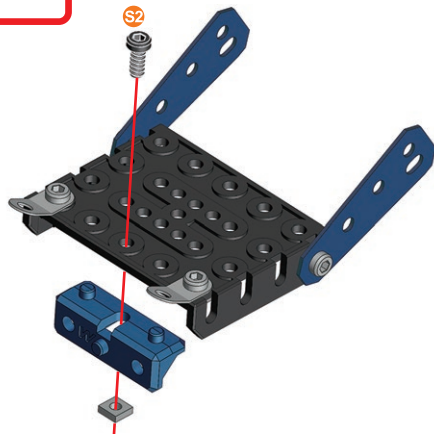
|   |    |     |
|---|----|-----|
|  | S1 | 1:1 |
|---|----|-----|







**3**

|  |                |    |
|--|----------------|----|
|   | 9.5 mm<br>3/8" | x1 |
|   |                | x1 |
|  |                | x1 |

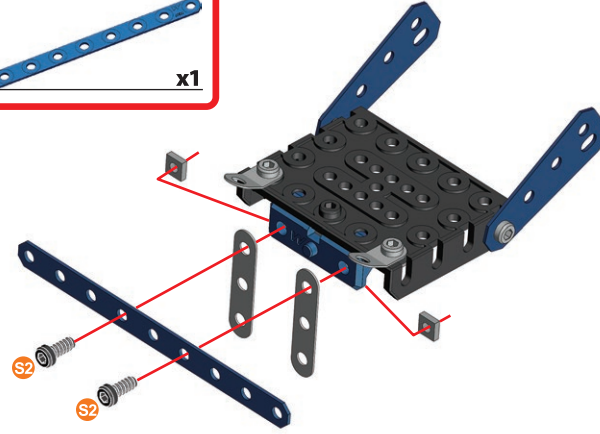
|   |    |     |
|---|----|-----|
|  | S2 | 1:1 |
|---|----|-----|





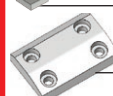
**4**

|  |                |    |
|--|----------------|----|
|     | 9.5 mm<br>3/8" | x2 |
|     |                | x2 |
|    |                | x2 |
|  |                | x1 |

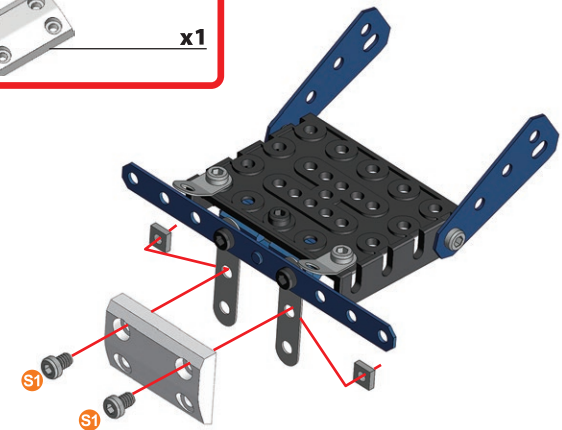
|   |    |     |
|---|----|-----|
|  | S2 | 1:1 |
|---|----|-----|





**5**

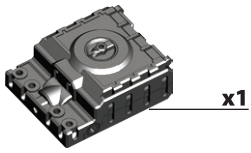
|  |                  |    |
|--|------------------|----|
|   | 5.8 mm<br>15/64" | x2 |
|   |                  | x2 |
|  |                  | x1 |

|   |    |     |
|---|----|-----|
|  | S1 | 1:1 |
|---|----|-----|

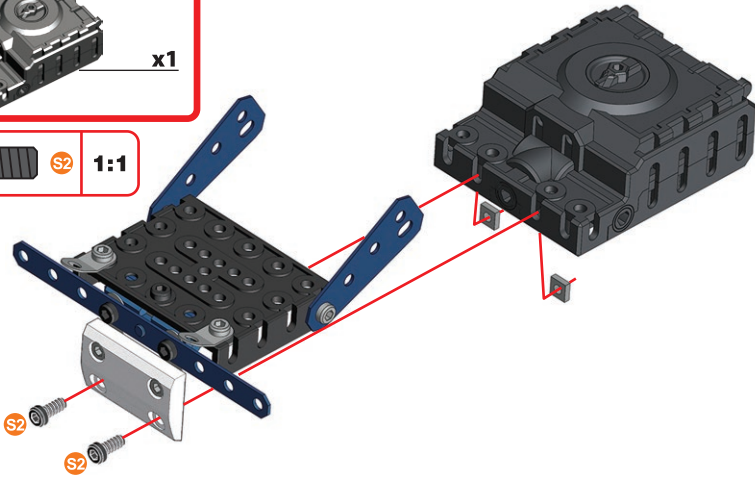


6




|   |    |        |    |
|---|----|--------|----|
|  | S2 | 9.5 mm | x2 |
|  |    |        | x2 |



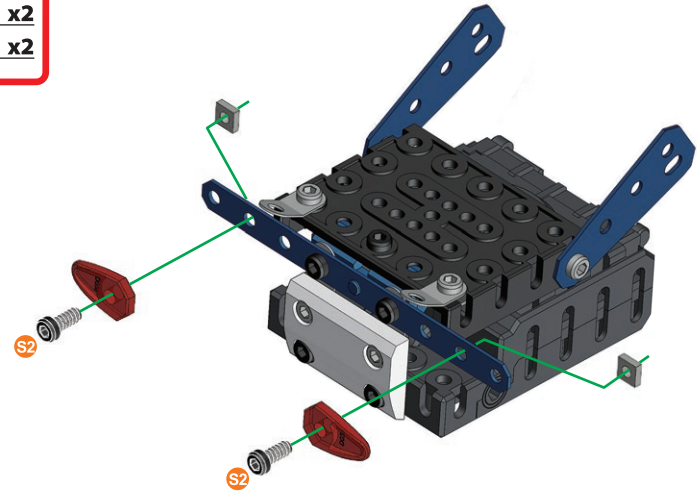
|   |    |     |
|---|----|-----|
|  | S2 | 1:1 |
|---|----|-----|





7

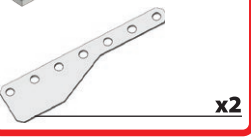
|   |    |        |    |
|---|----|--------|----|
|  | S2 | 9.5 mm | x2 |
|  |    |        | x2 |
|  |    |        | x2 |

|   |    |     |
|---|----|-----|
|  | S2 | 1:1 |
|---|----|-----|

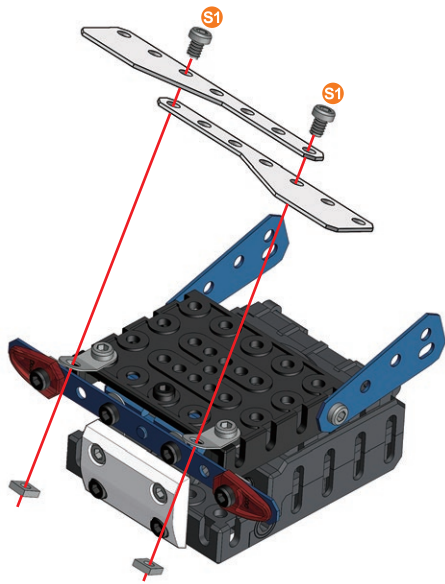


8



|   |    |        |    |
|---|----|--------|----|
|  | S1 | 5.8 mm | x2 |
|  |    |        | x2 |

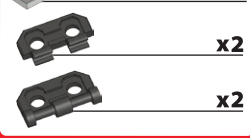


|   |    |     |
|---|----|-----|
|  | S1 | 1:1 |
|---|----|-----|

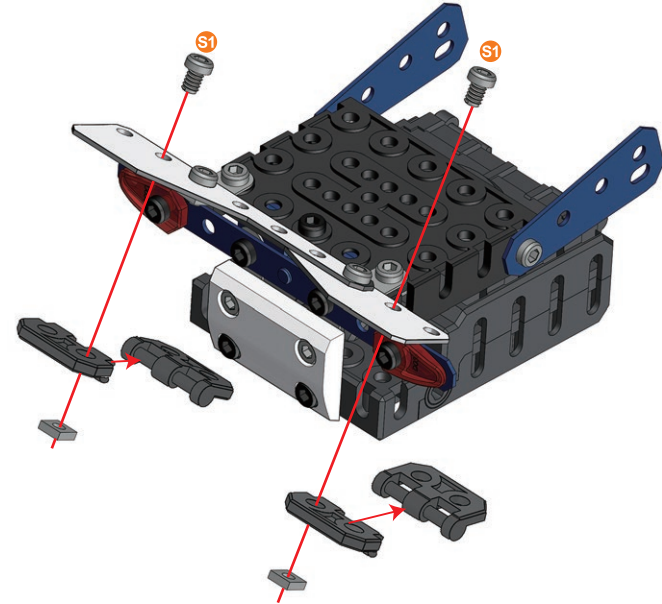


9

|   |    |        |    |
|---|----|--------|----|
|  | S1 | 5.8 mm | x2 |
|  |    |        | x2 |

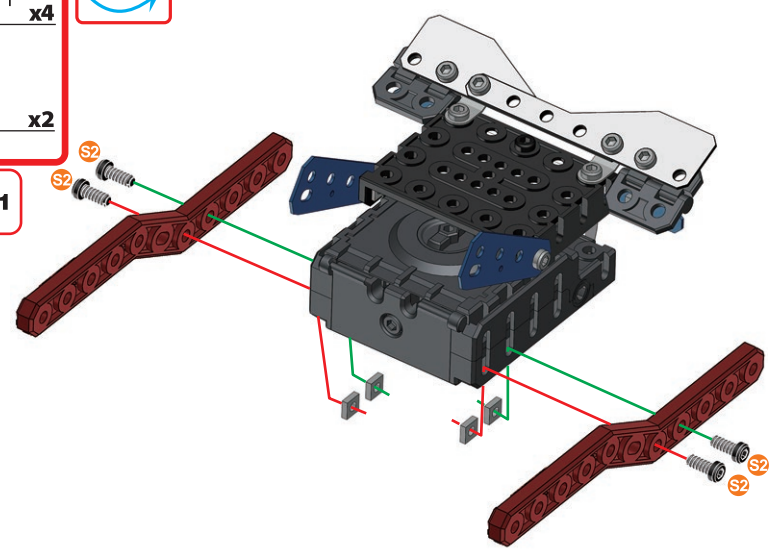
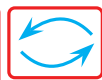


|   |    |     |
|---|----|-----|
|  | S1 | 1:1 |
|---|----|-----|



# 10

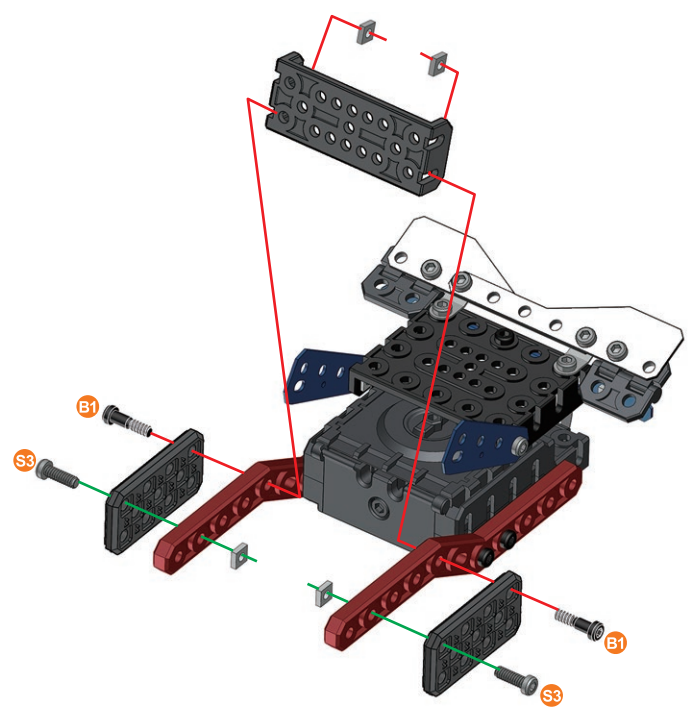
- 9.5 mm | 3/8" | x4
- x4
- x2
- 1:1



# 11

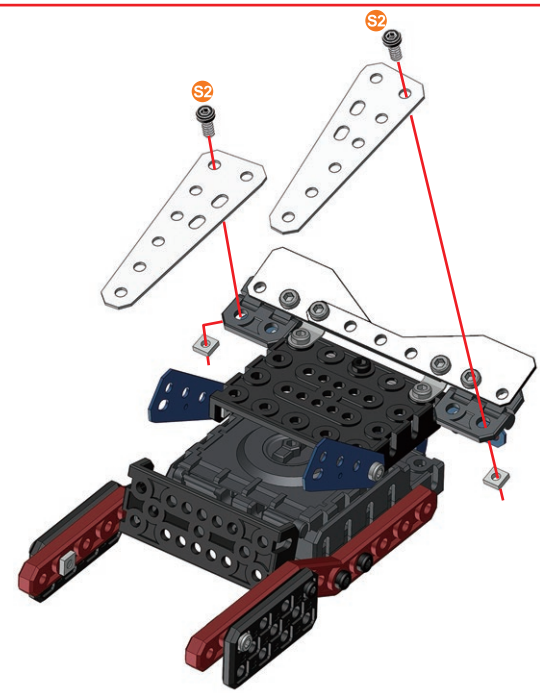
- 12 mm | 1/2" | x2
- 14.7 mm | 37/64" | x2
- x4
- x2
- x1

- 1:1
- 1:1



# 12

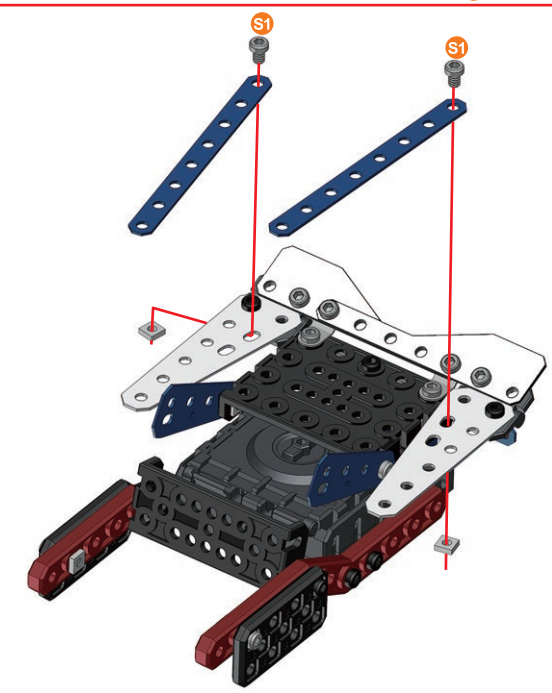
- 9.5 mm | 3/8" | x2
- x2
- x2
- 1:1






# 13

- 5.8 mm | 15/64" | x2
- x2
- x2

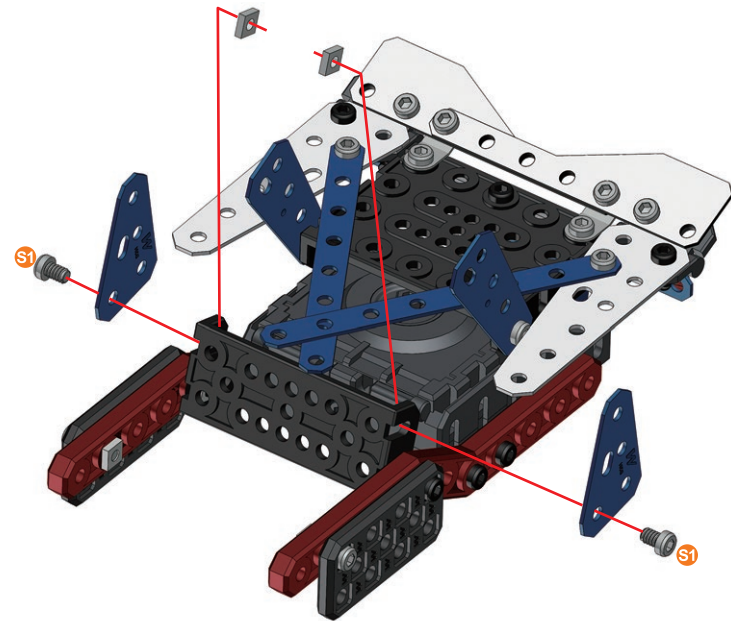
- 1:1







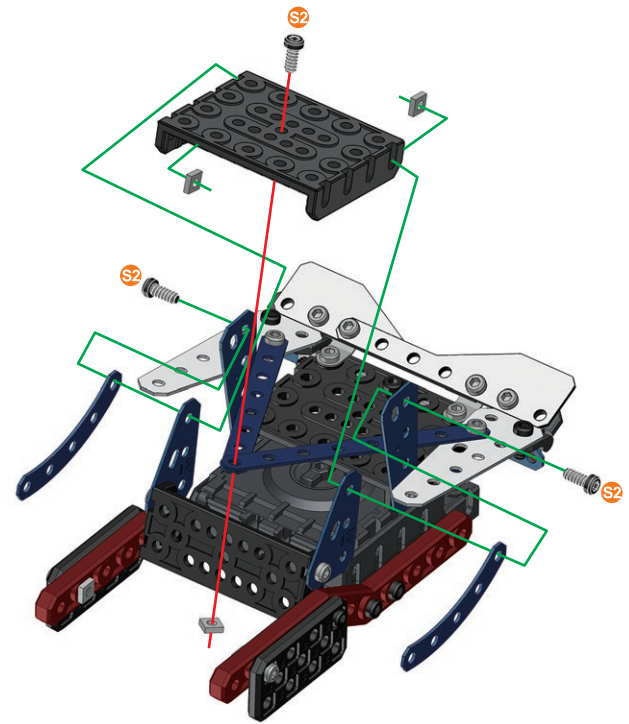
- 14**
-  **S1** | 5.8 mm |  $\frac{15}{64}$ " | **x2**
  -  **x2**
  -  **x2**




-  **S1** | **1:1**



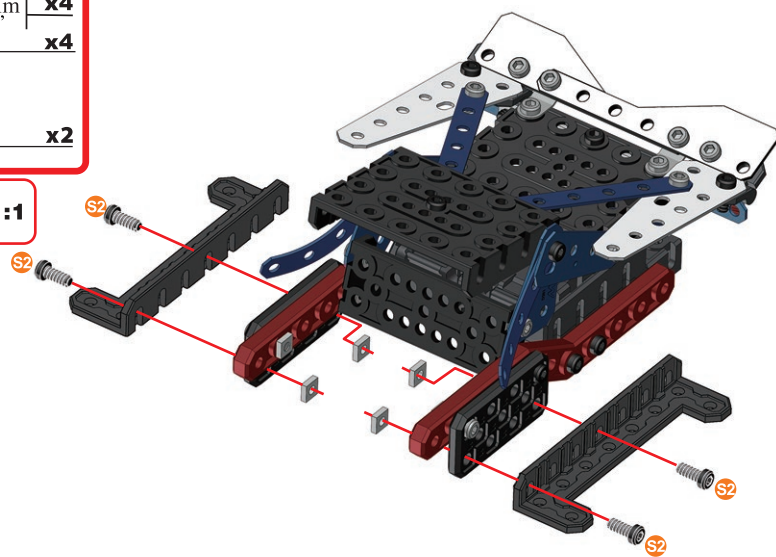
- 15**
-  **S2** | 9.5 mm |  $\frac{3}{8}$ " | **x3**
  -  **x3**
  -  **x2**
  -  **x1**

-  **S2** | **1:1**



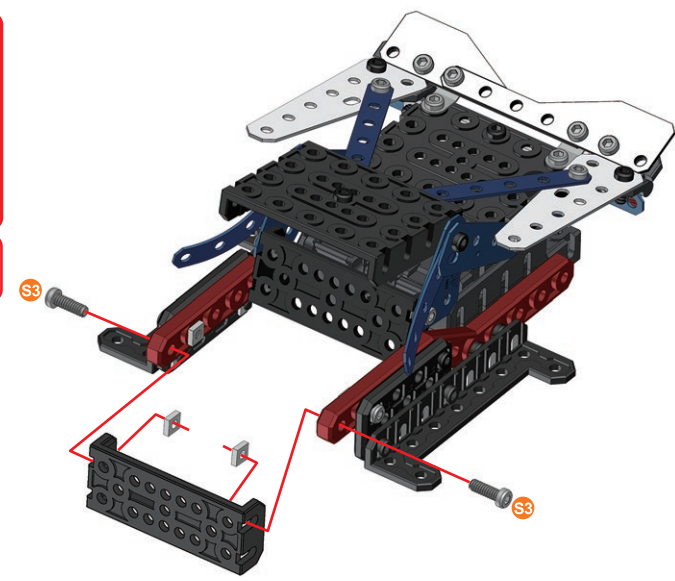
- 16**
-  **S1** | 9.5 mm |  $\frac{3}{8}$ " | **x4**
  -  **x4**
  -  **x2**

-  **S2** | **1:1**



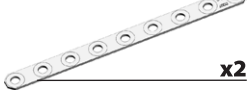


- 17**
-  **S3** | 12 mm |  $\frac{1}{2}$ " | **x2**
  -  **x2**
  -  **x1**

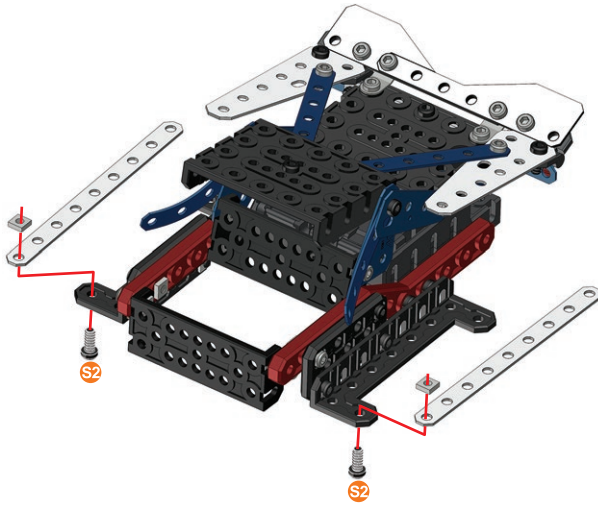
-  **S3** | **1:1**





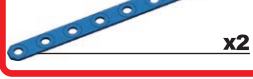
18

-  | 9.5 mm |  $\frac{3}{8}$ " | x2
-  | x2
-  | x2

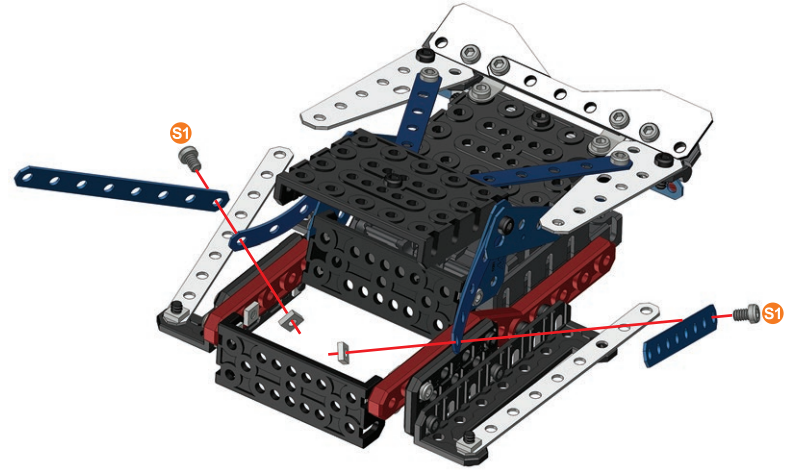
-  | 1:1




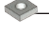
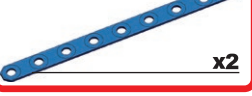
19

-  | 5.8 mm |  $\frac{15}{64}$ " | x2
-  | x2
-  | x2

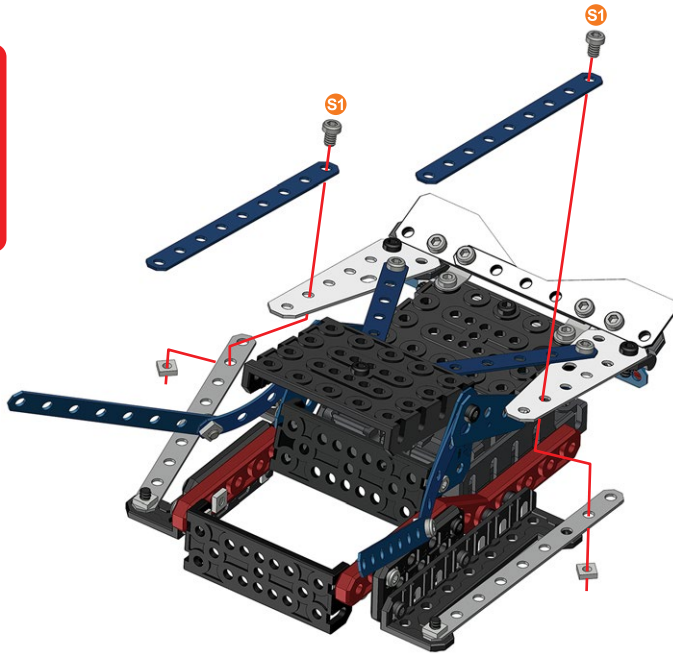
-  | 1:1



20

-  | 5.8 mm |  $\frac{15}{64}$ " | x2
-  | x2
-  | x2

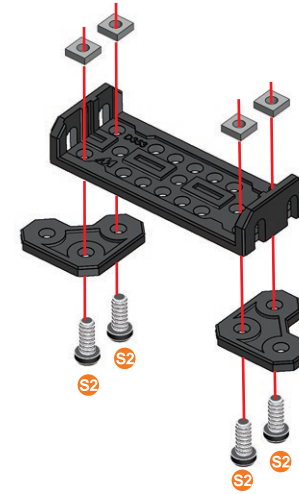
-  | 1:1



21

-  | 9.5 mm |  $\frac{3}{8}$ " | x4
-  | x4
-  | x2
-  | x1

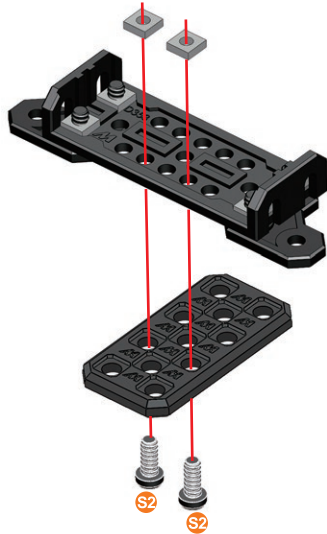
-  | 1:1



# 22

- S2 | 9.5 mm | 3/8" | x2
- x2
- x2

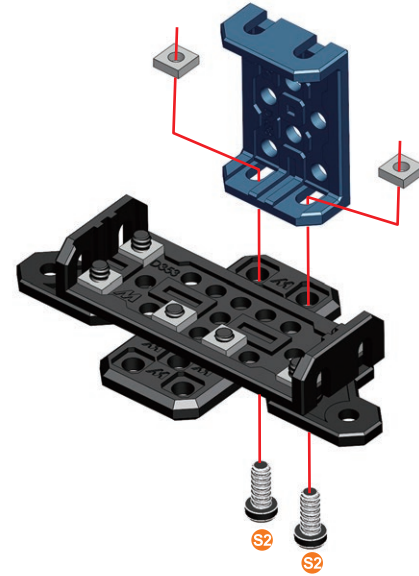
- S2 | 1:1



# 23

- S2 | 9.5 mm | 3/8" | x2
- x2
- x1

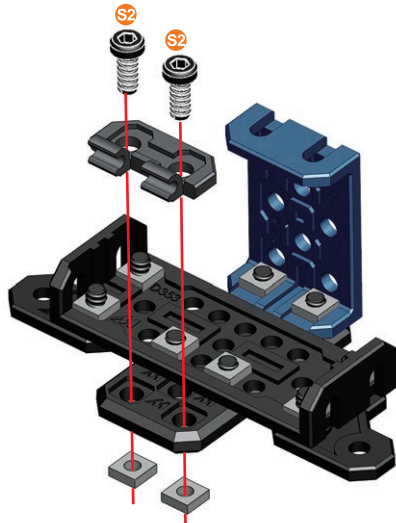
- S2 | 1:1



# 24

- S2 | 9.5 mm | 3/8" | x2
- x2
- x1

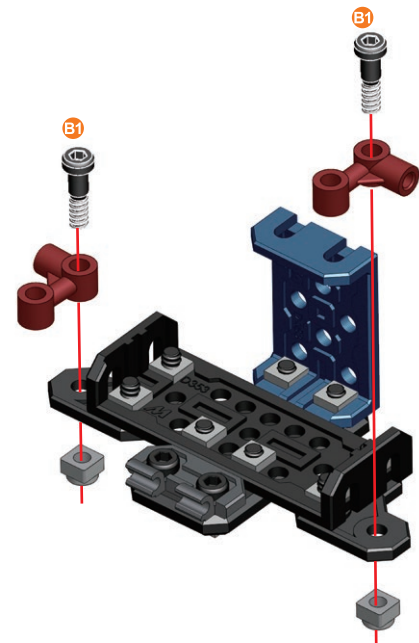
- S2 | 1:1



# 25


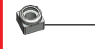

- B1 | 14.7 mm | 37/64" | x2
- x2
- x2

- B1 | 1:1

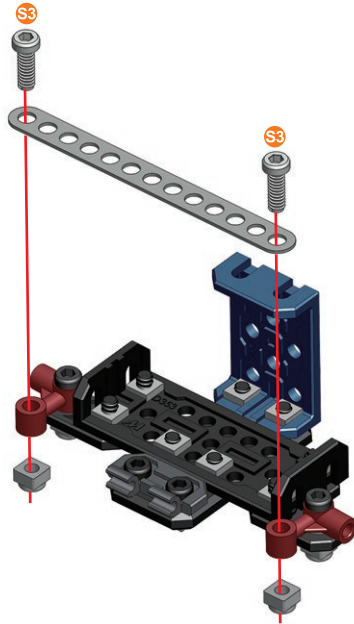








26

-  12 mm | 1/2" | x2
-  x2
-  x1

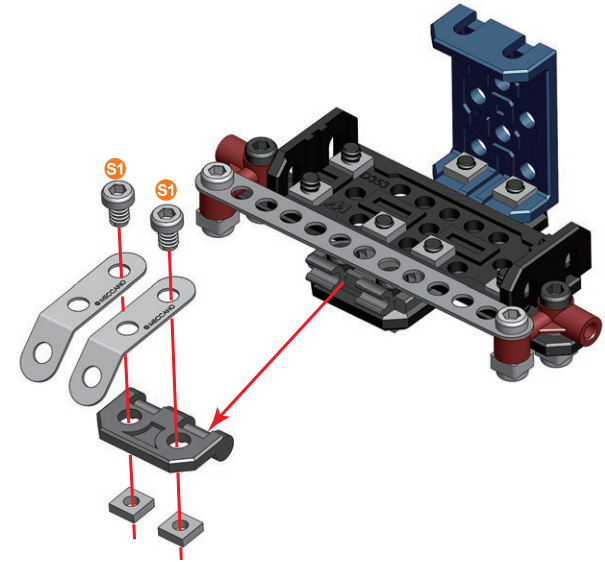
-  S3 | 1:1




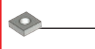

27

-  5.8 mm | 15/64" | x2
-  x2
-  x1
-  x2

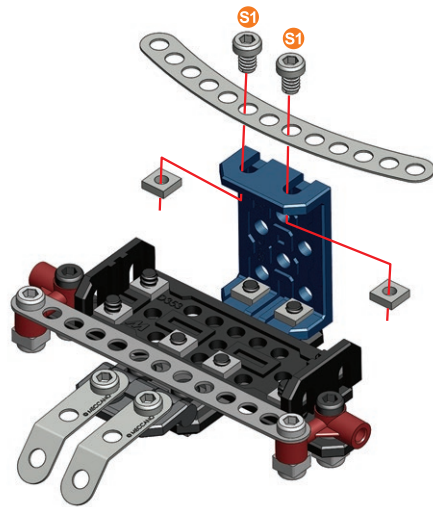
-  S1 | 1:1



28



-  5.8 mm | 15/64" | x2
-  x2
-  x1

-  S1 | 1:1

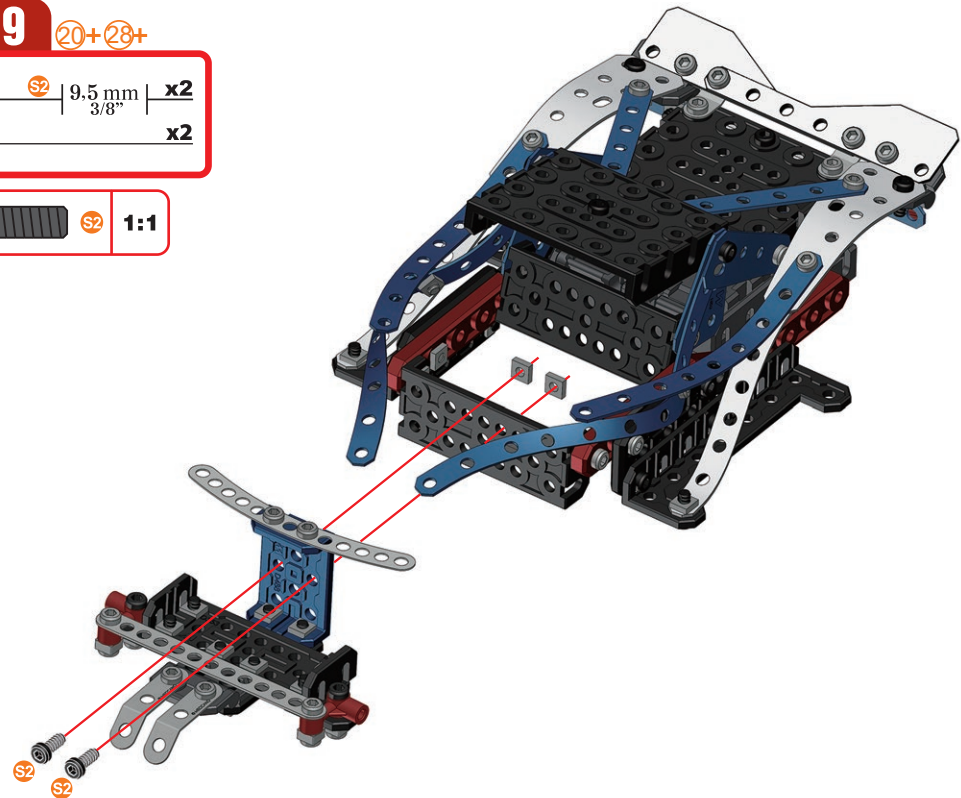


29



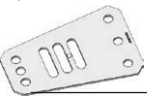
20+28+

-  9.5 mm | 3/8" | x2
-  x2

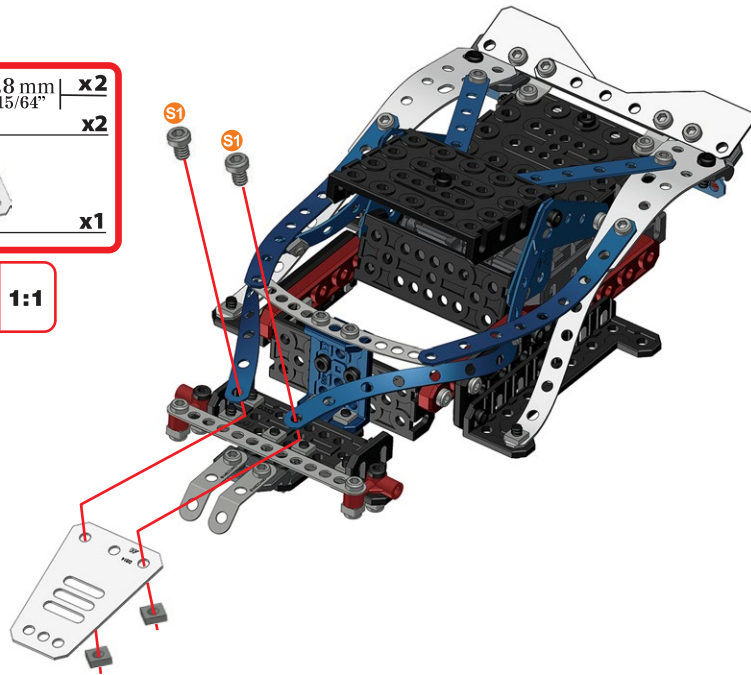
-  S2 | 1:1






**30**

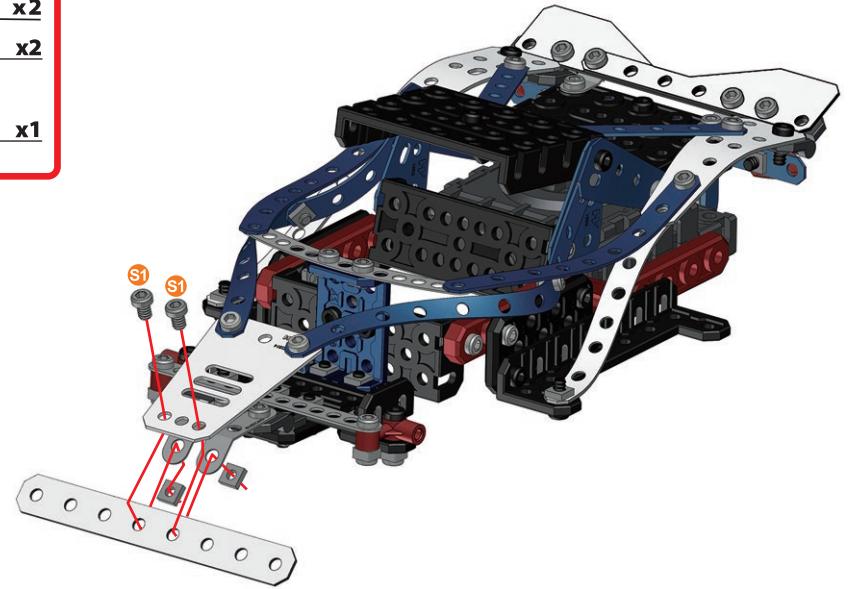
|   |                            |
|---|----------------------------|
|  | S1   5.8 mm   x2<br>15/64" |
|  | x2                         |
|  | x1                         |




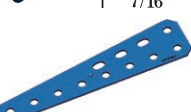
|   |          |
|---|----------|
|  | S1   1:1 |
|---|----------|

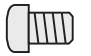

**31**

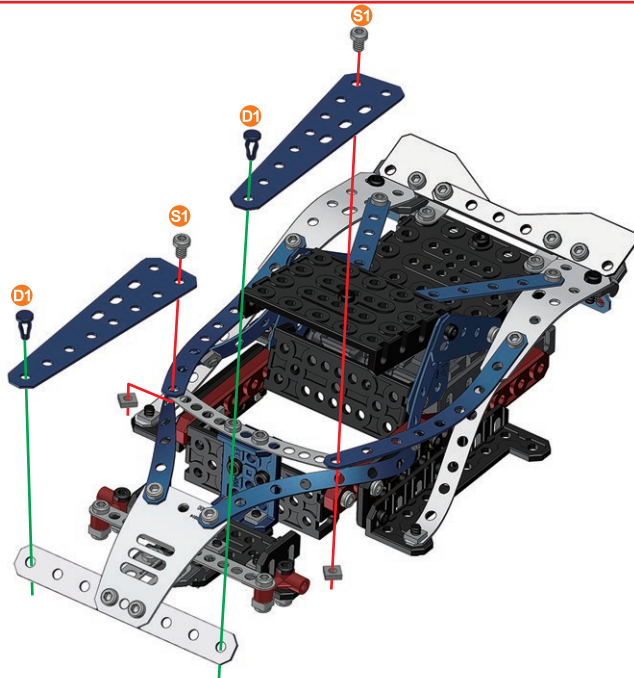
|   |                            |
|---|----------------------------|
|  | S1   5.8 mm   x2<br>15/64" |
|  | x2                         |
|  | x1                         |




|   |          |
|---|----------|
|  | S1   1:1 |
|---|----------|

**32**

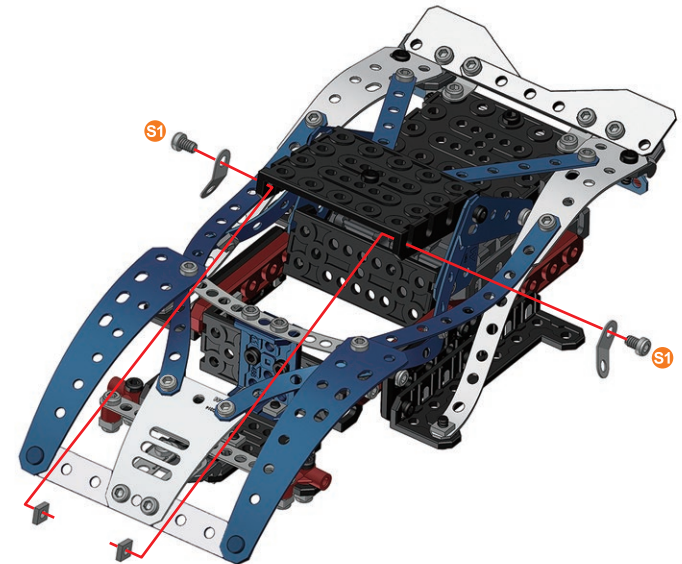
|   |                             |
|---|-----------------------------|
|    | S1   5.8 mm   x2<br>15/64"  |
|    | x2                          |
|   | D1   11.25 mm   x2<br>7/16" |
|  | x2                          |

|   |          |
|---|----------|
|  | S1   1:1 |
|  | D1   1:1 |

**33**




|  |                            |
|--|----------------------------|
|   | S1   5.8 mm   x2<br>15/64" |
|   | x2                         |
|  | x2                         |

|   |          |
|---|----------|
|  | S1   1:1 |
|---|----------|

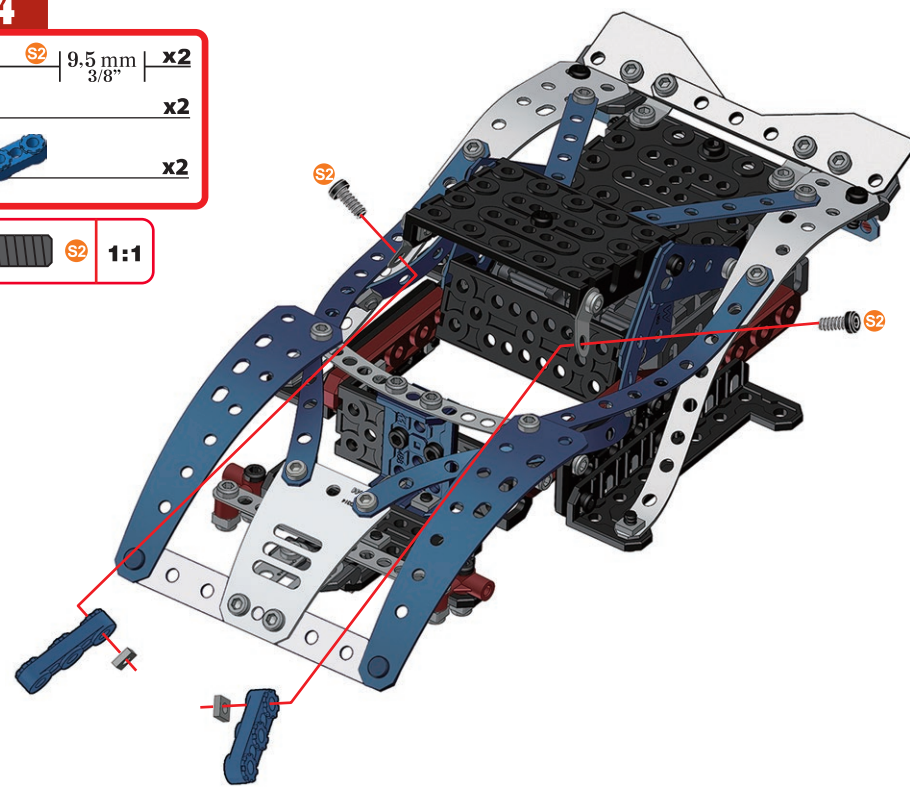




### 34

-  9.5 mm | 3/8" | x2
-  x2
-  x2

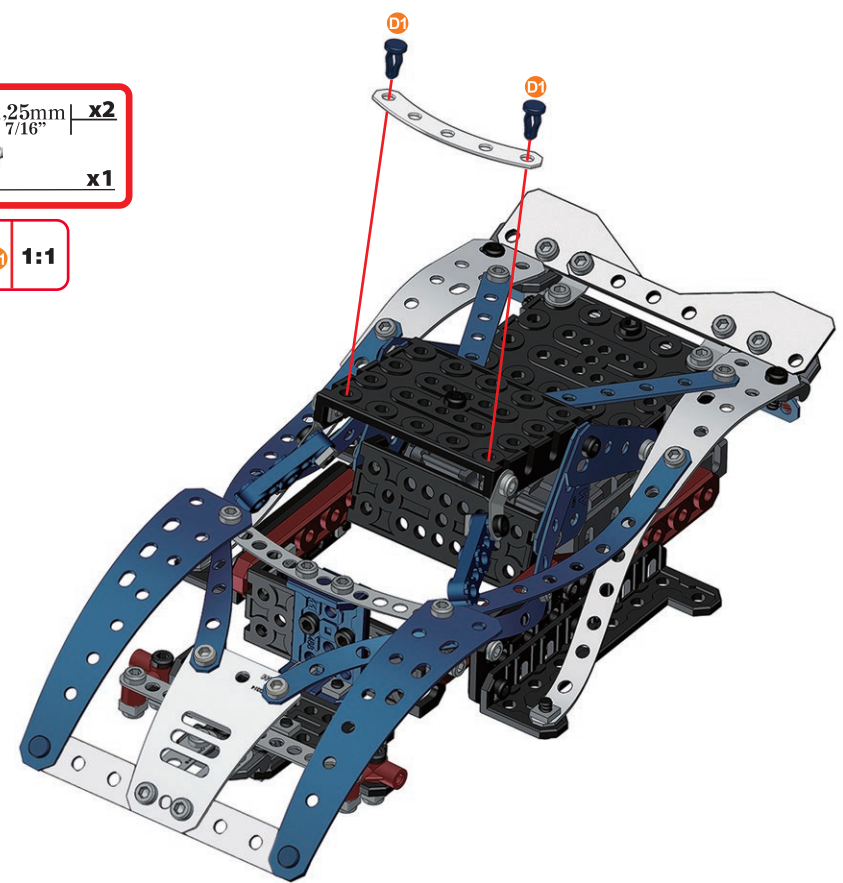
-  S2 | 1:1



### 35

-  11.25mm | 7/16" | x2
-  x1

-  D1 | 1:1




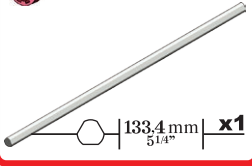


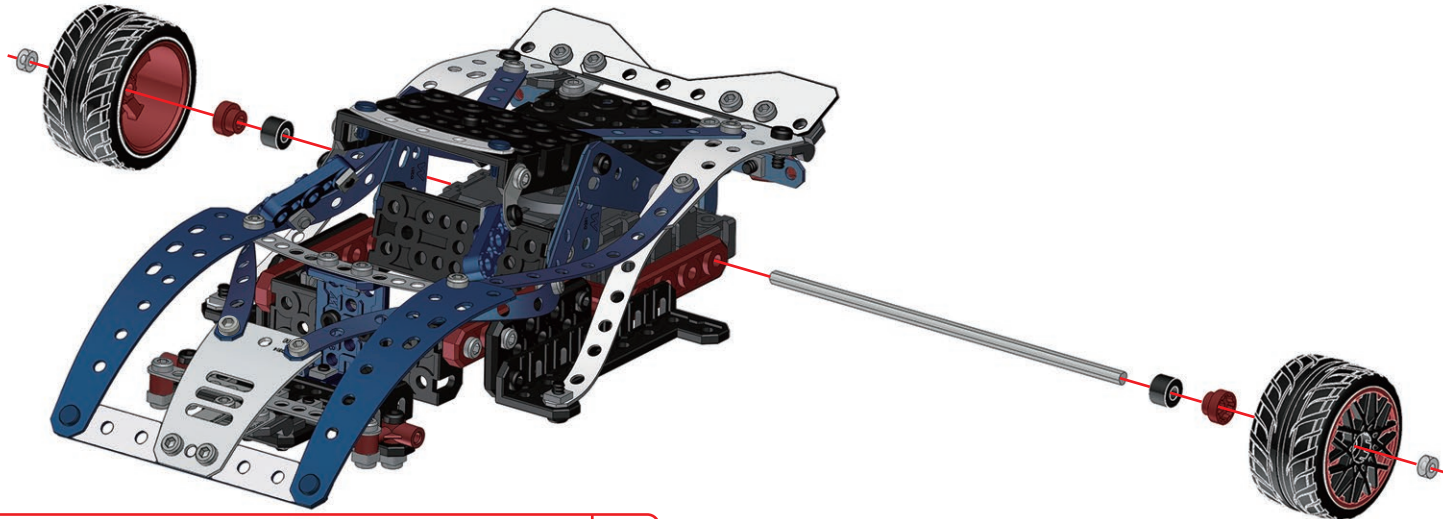
### 36

-  x4
-  x4
-  x4



### 37 35+36+


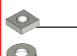

-  x2
-  x2
-  x2
-  133.4 mm | 5.14" | x1



-   A238 1:1

-  1:1

### 38 36+37+

-  B3 | 23 mm | 15/16" | x2
-  x2
-  x2

-  B3 1:1

