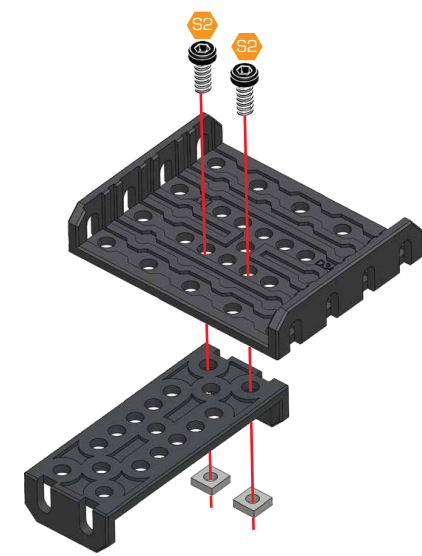


**1**

- S2 x 2
- x 2
- x 1
- x 1

0 5 10 15 20 mm

S2 9.5 mm

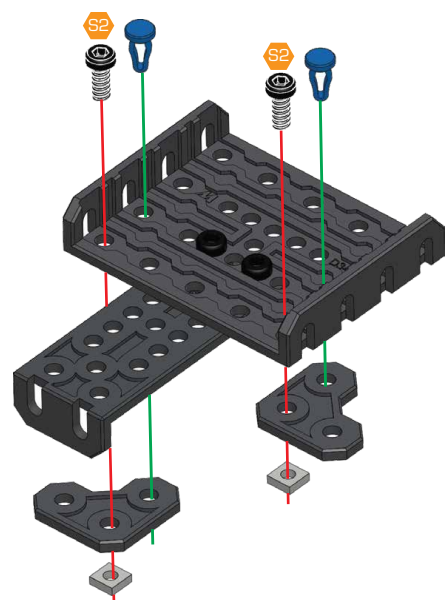


**2**

- S2 x 2
- x 2
- x 2
- x 2

0 5 10 15 20 mm

S2 9.5 mm



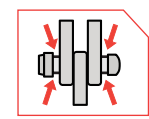
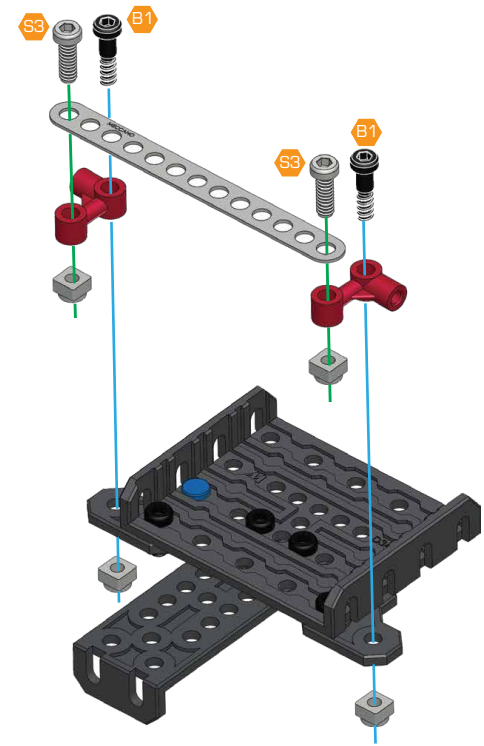
**3**

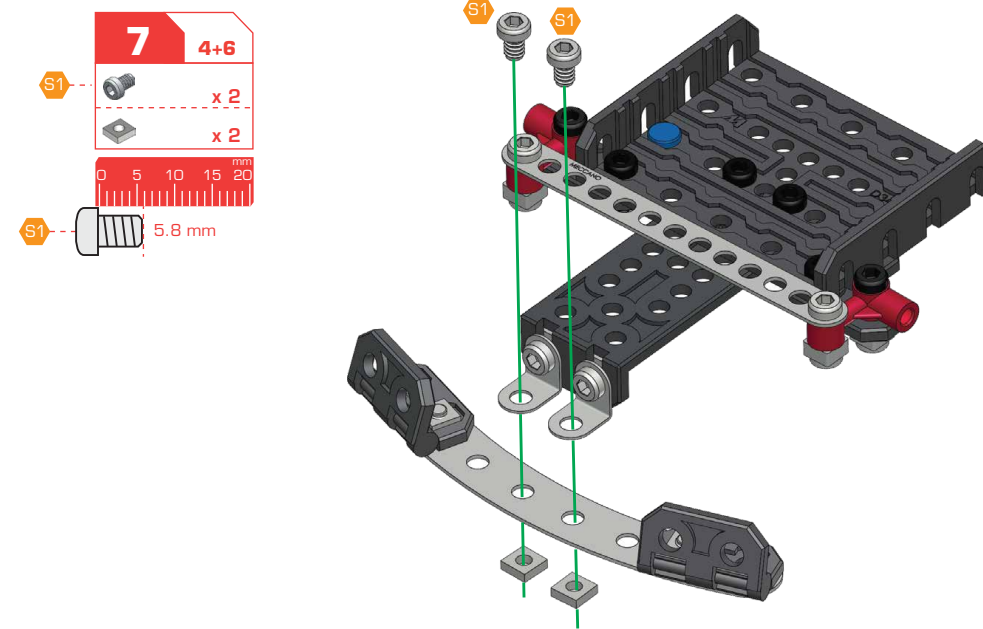
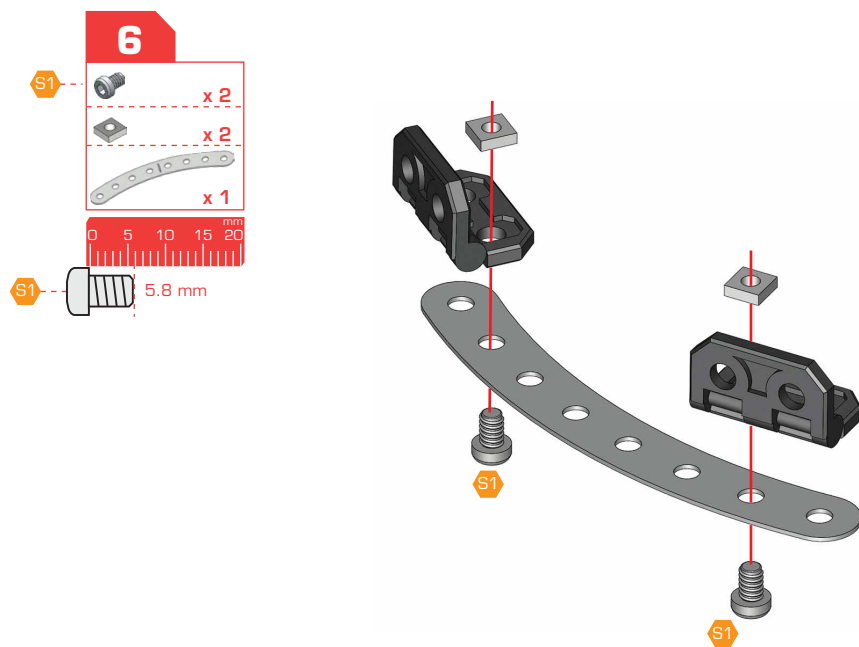
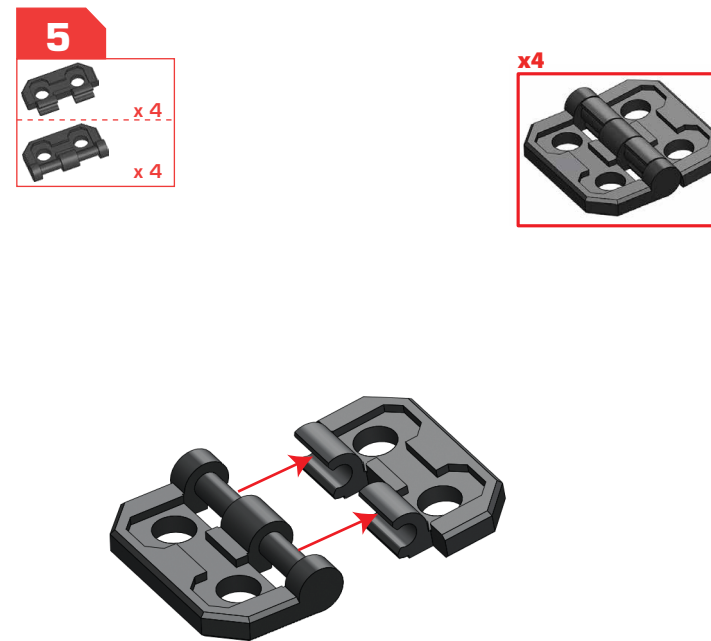
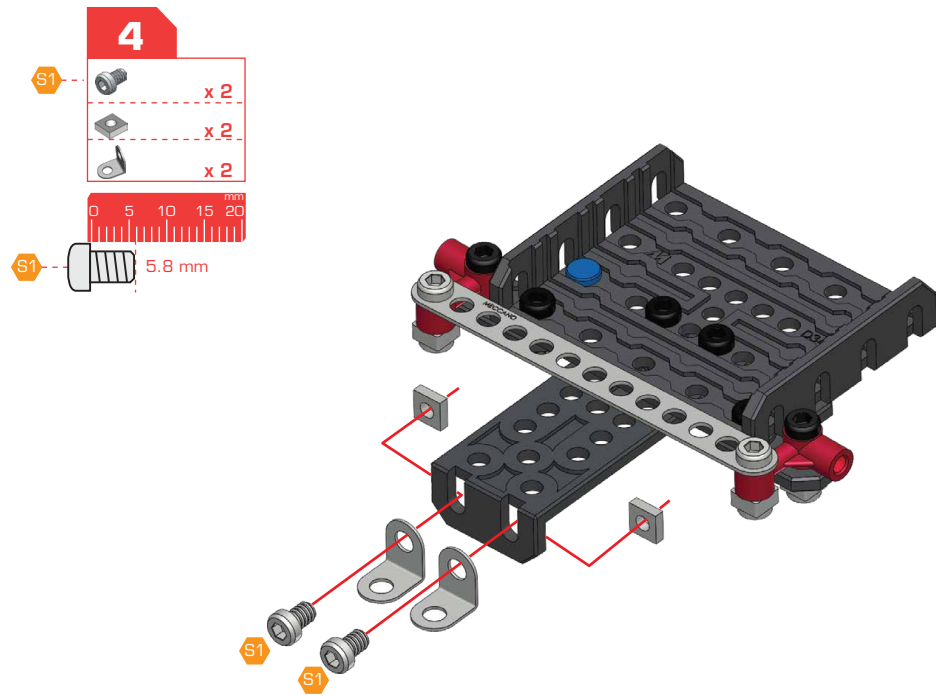
- S3 x 2
- B1 x 2
- x 4
- x 2
- x 1

0 5 10 15 20 mm

S3 12 mm

B1 14.7 mm





### 8

- S3 x 1
- B1 x 1
- x 2
- x 1
- x 1

0 5 10 15 20 mm

- S3 12 mm
- B1 14.7 mm

### 9

- S2 x 1
- x 1
- x 1
- x 1
- x 1

0 5 10 15 20 mm

- S2 9.5 mm

### 10 8+9

- S3 x 2
- x 2
- x 1

0 5 10 mm

- S3 12 mm

### 11

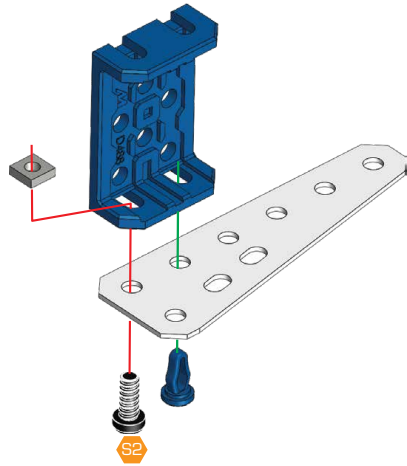
90°

- S3 x 1
- B1 x 1
- x 2
- x 1
- x 1

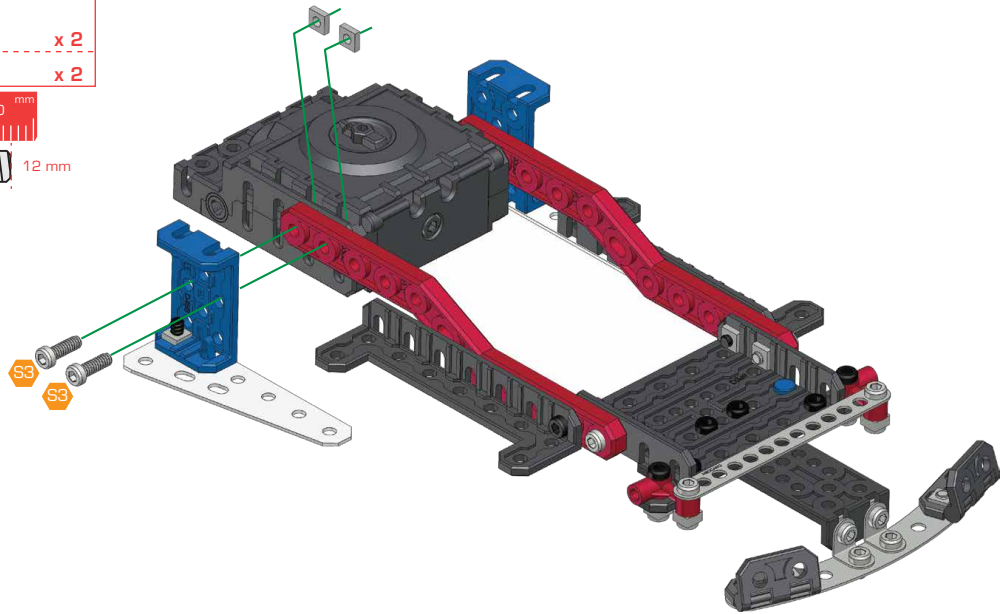
0 5 10 15 20 mm

- S3 12 mm
- B1 14.7 mm

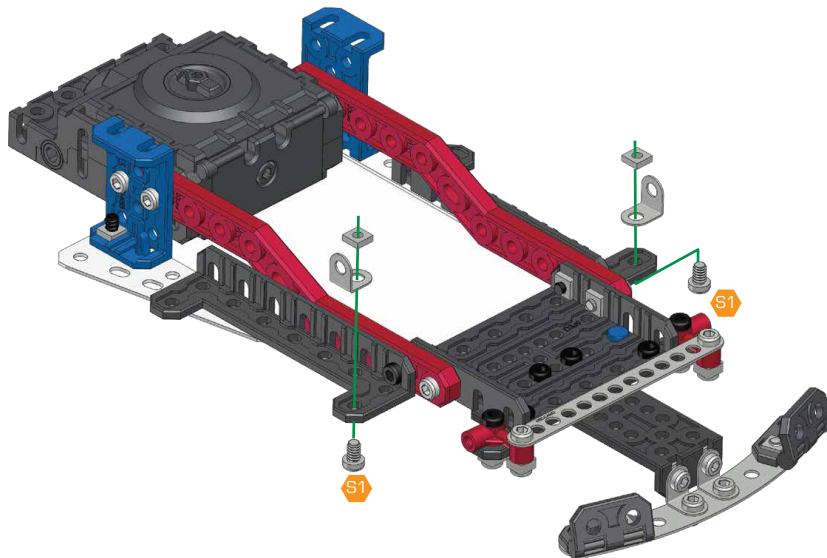
- 12**
- S2 x 1
  - x 1
  - x 1
  - x 1
  - x 1
- 0 5 10 15 20 mm
- S2 9.5 mm



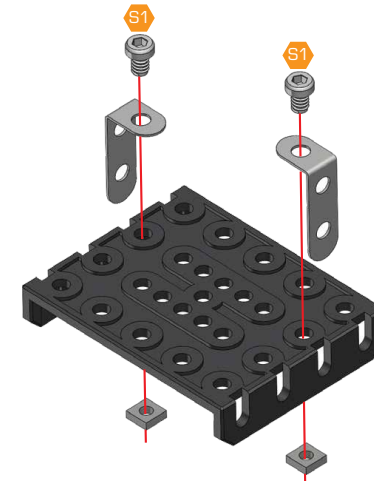
- 13** 11+12
- S3 x 2
  - x 2
  - 12 mm
- 0 5 10 mm
- S3 S3

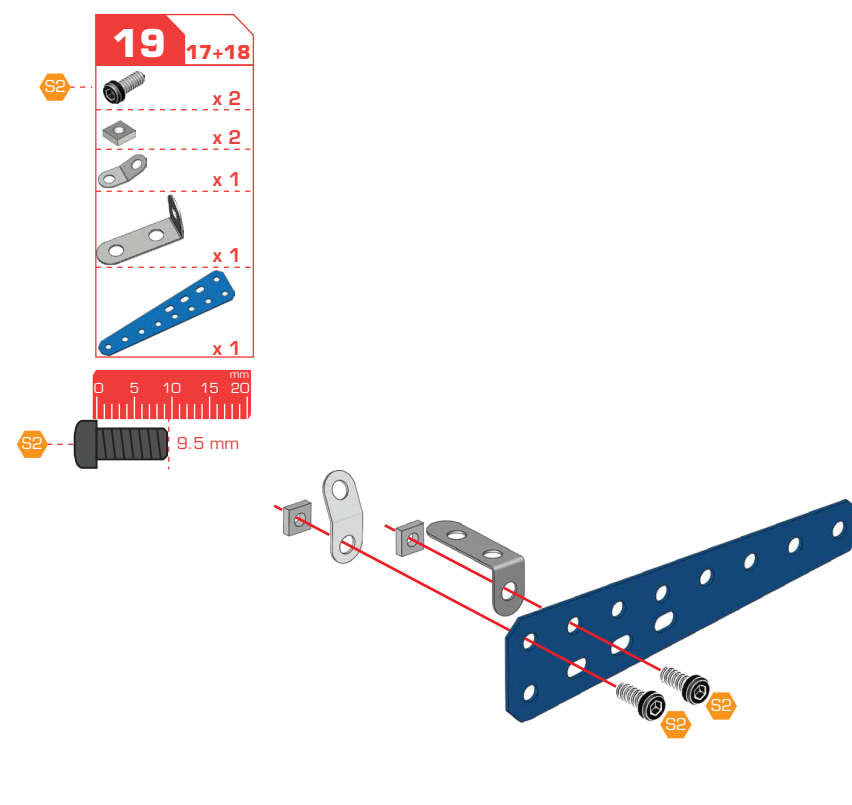
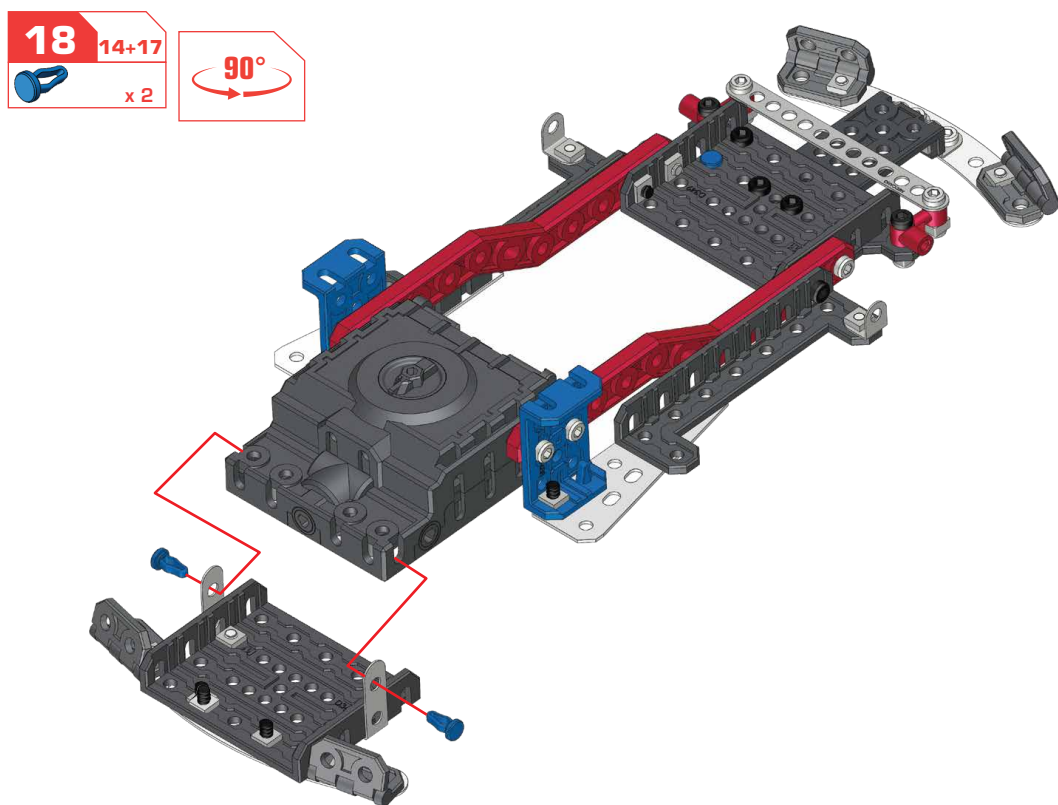
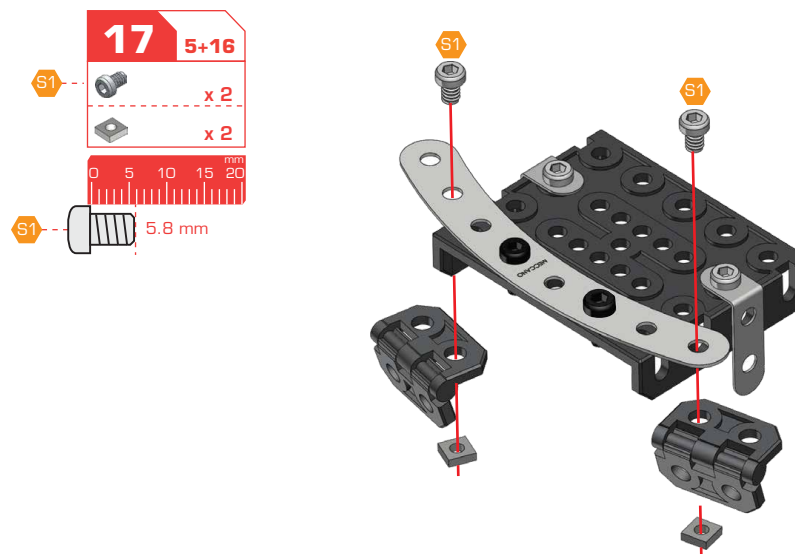
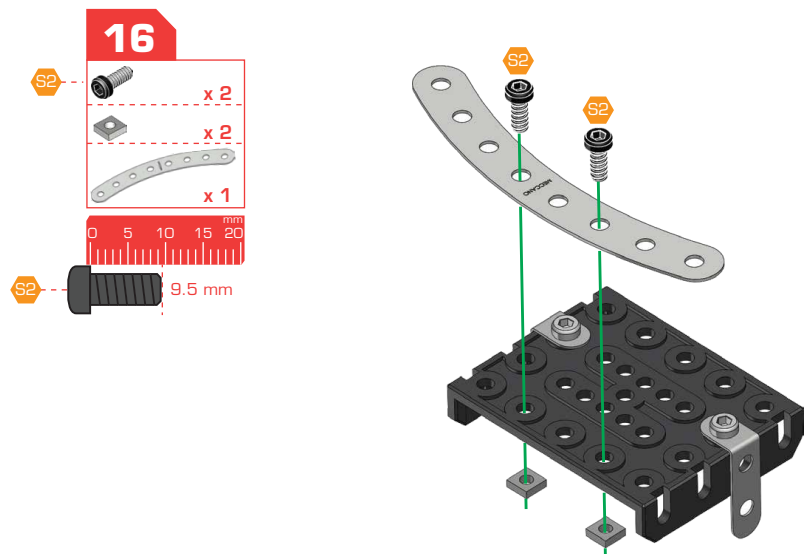


- 14**
- S1 x 2
  - x 2
  - x 2
- 0 5 10 15 20 mm
- S1 5.8 mm



- 15**
- S1 x 2
  - x 2
  - x 2
  - x 1
- 0 5 10 15 20 mm
- S1 5.8 mm



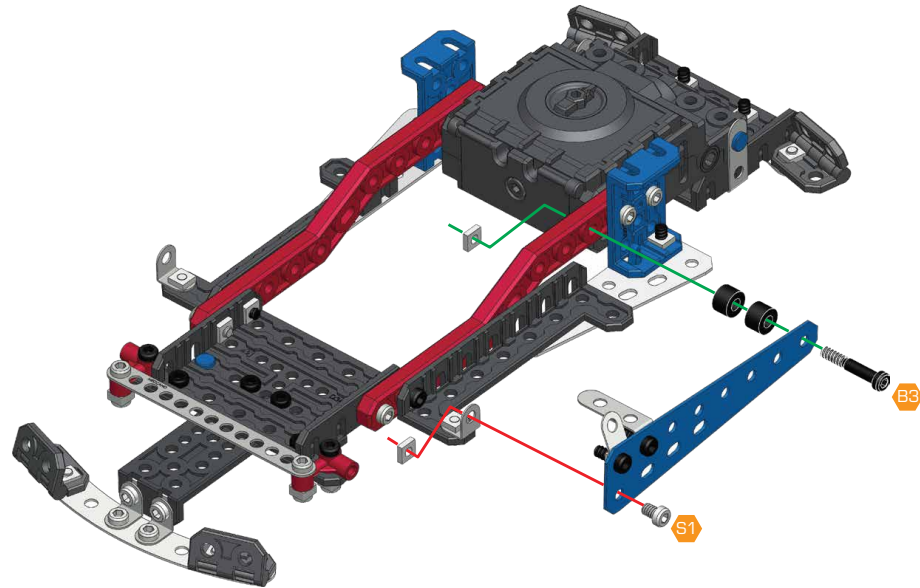


**20** 18+19

- S1 x 1
- B3 x 1
- x 2
- x 2



- S1 5.8 mm
- B3 23 mm

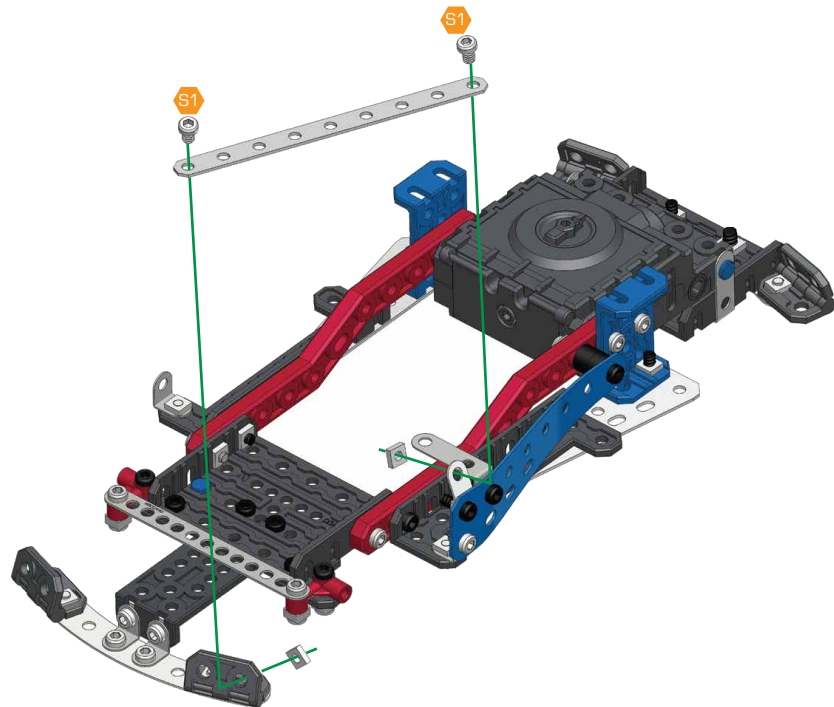


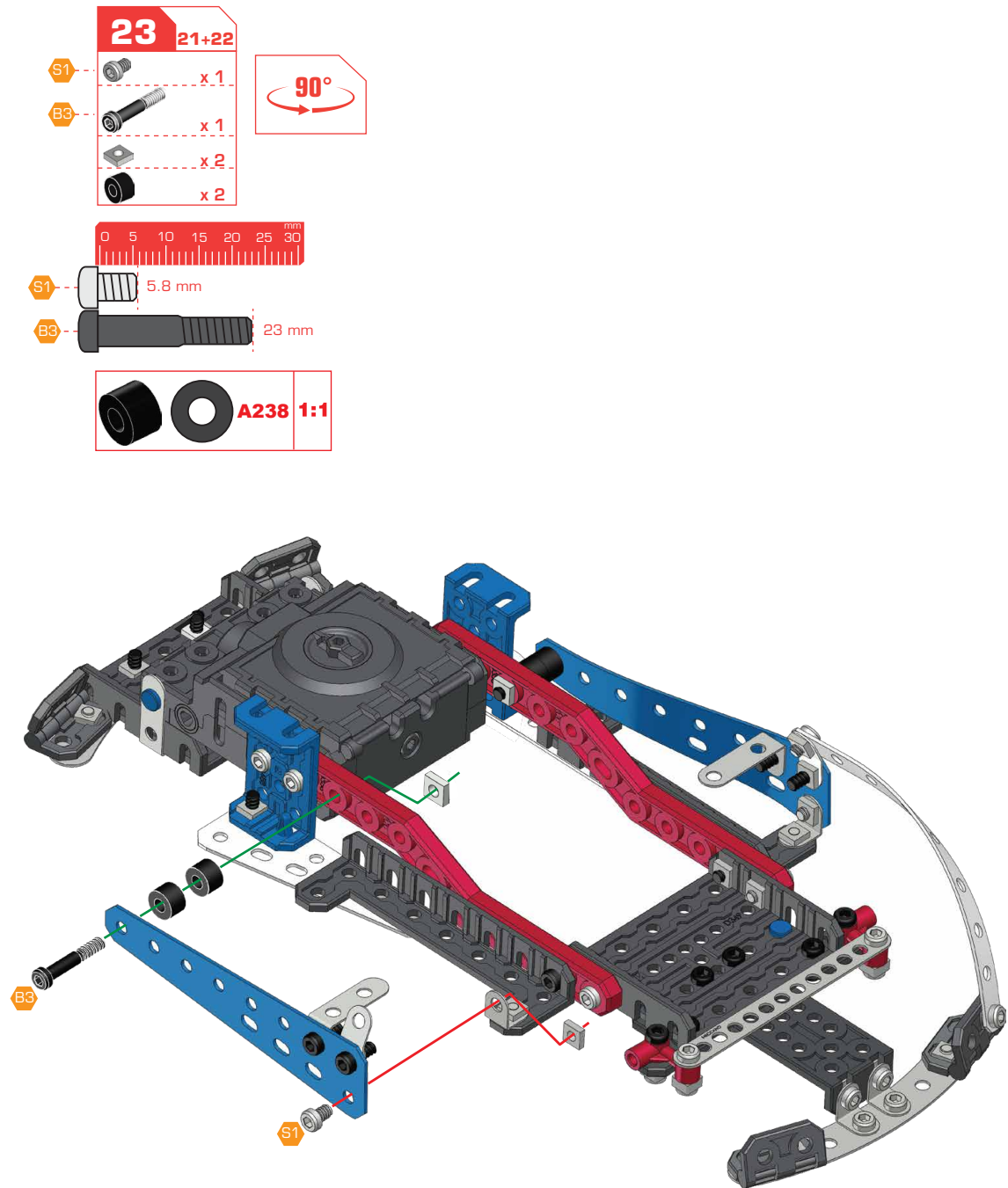
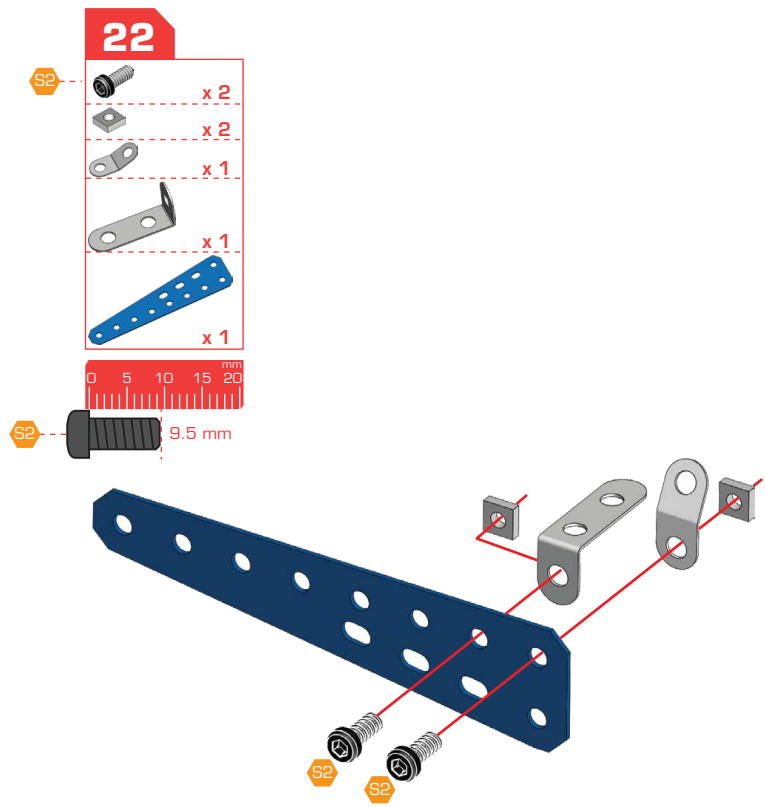
**21**

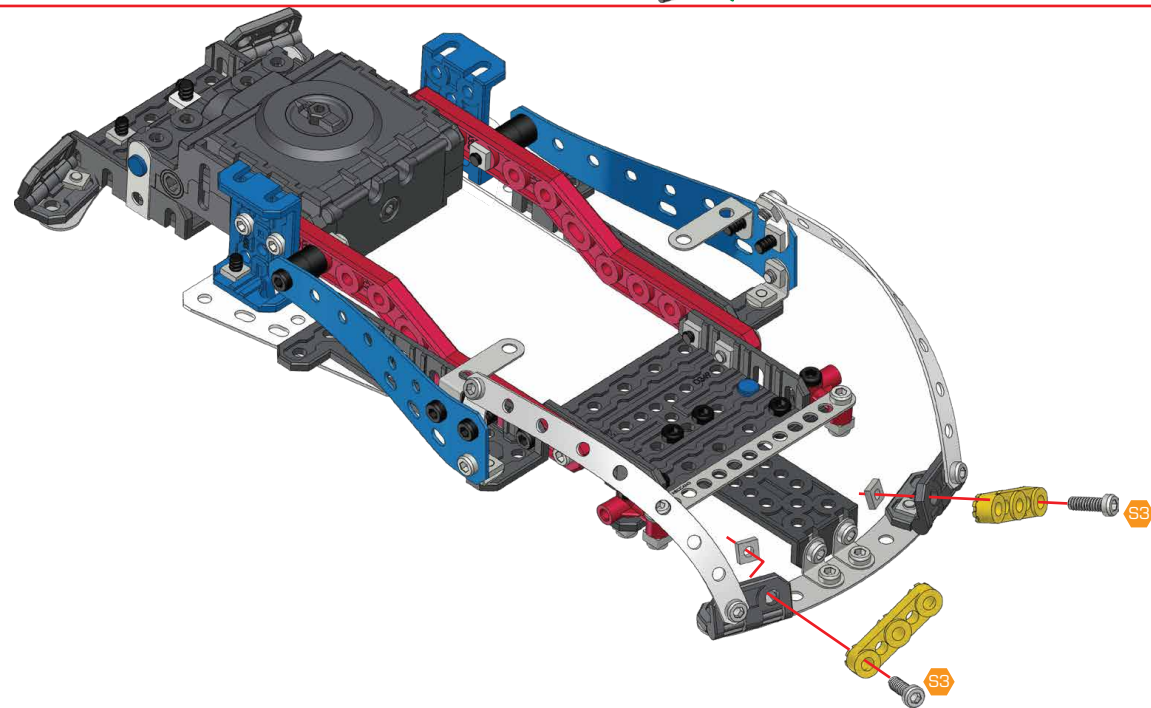
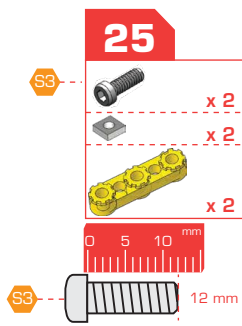
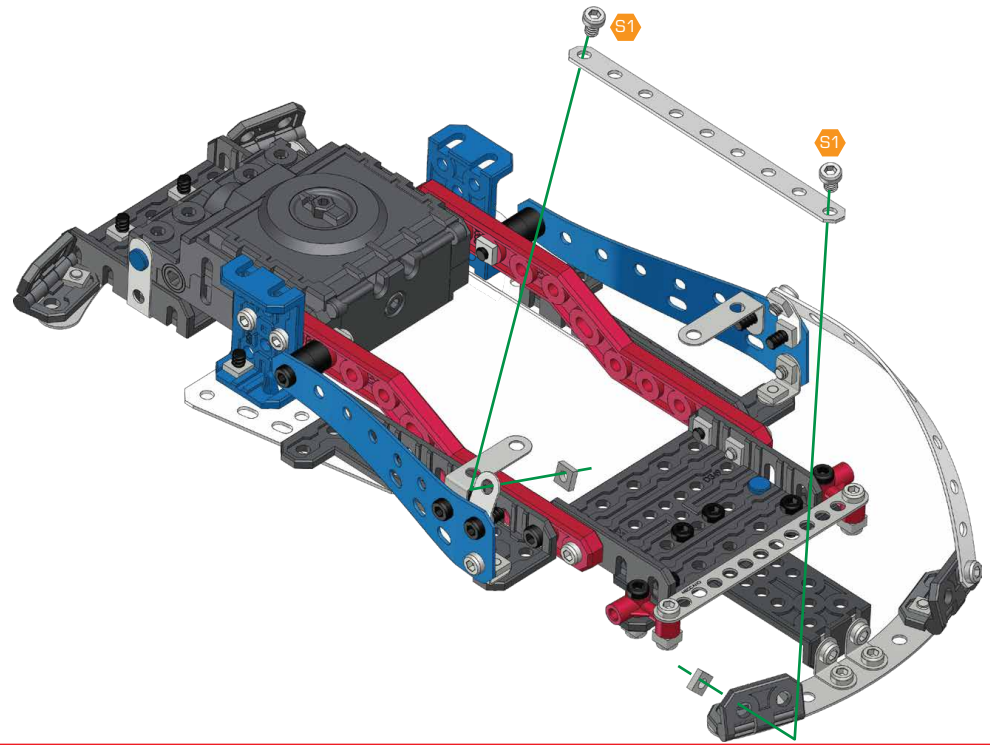
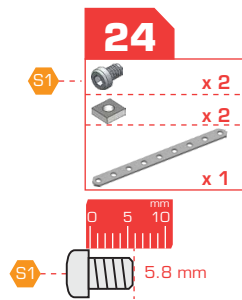
- S1 x 2
- x 2
- x 1



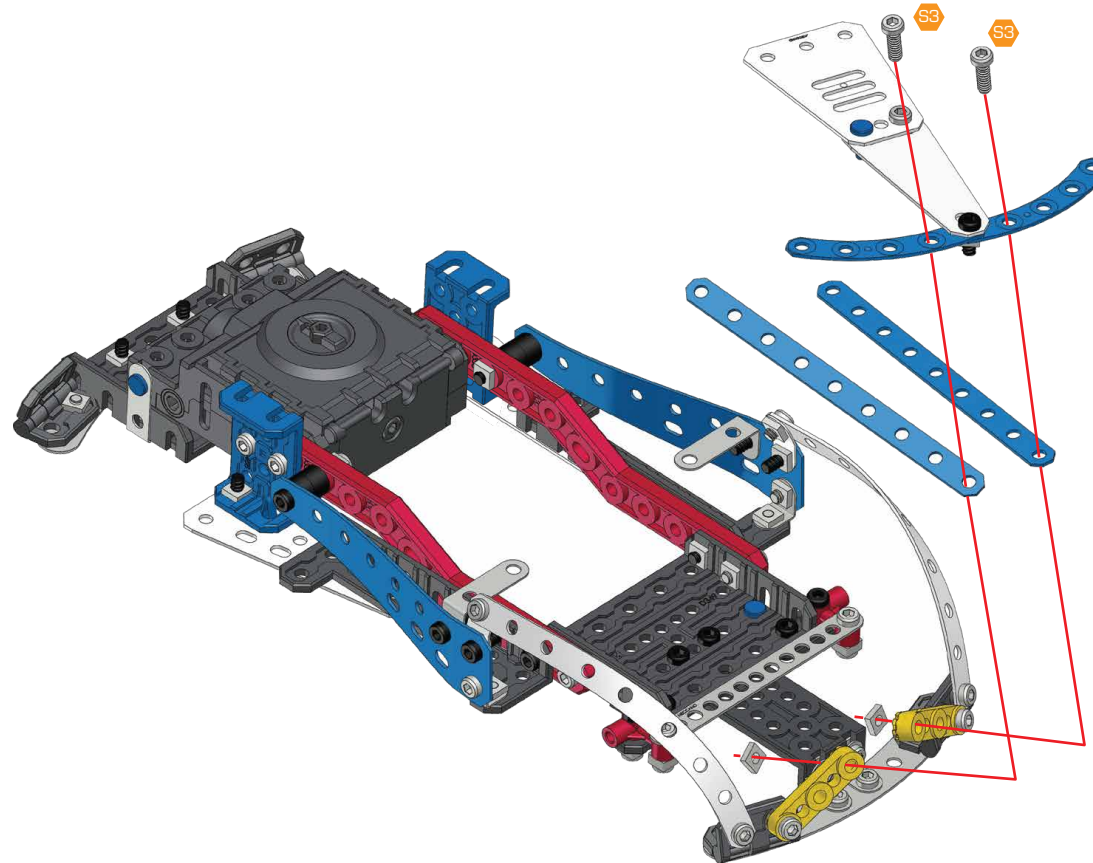
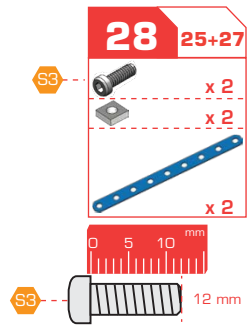
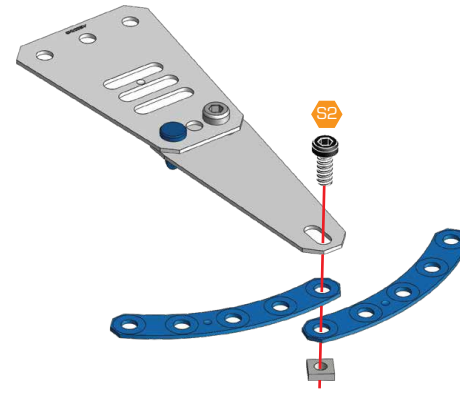
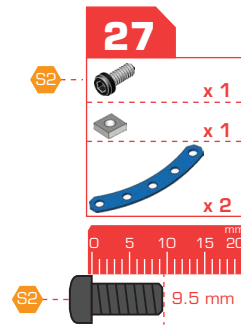
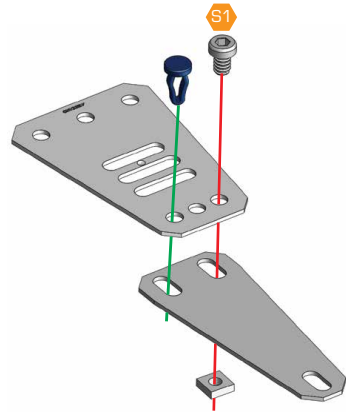
- S1 5.8 mm

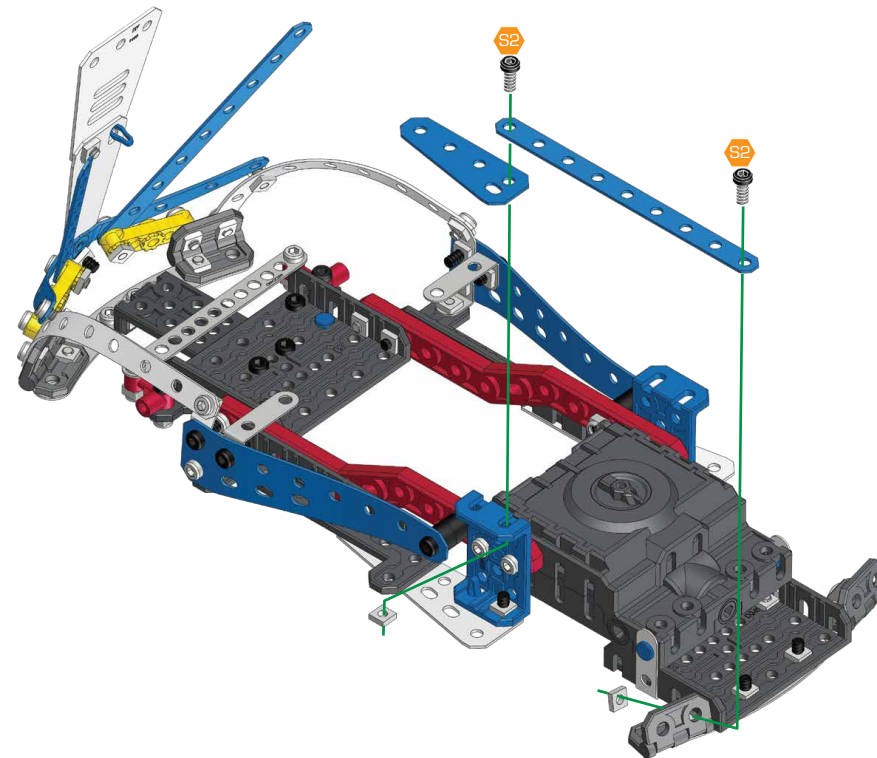
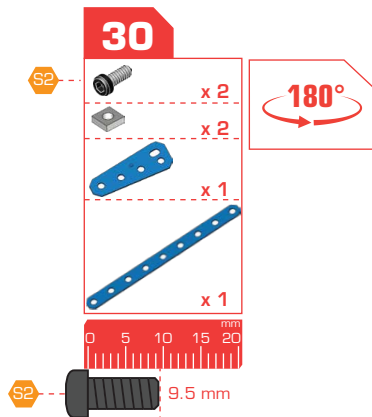
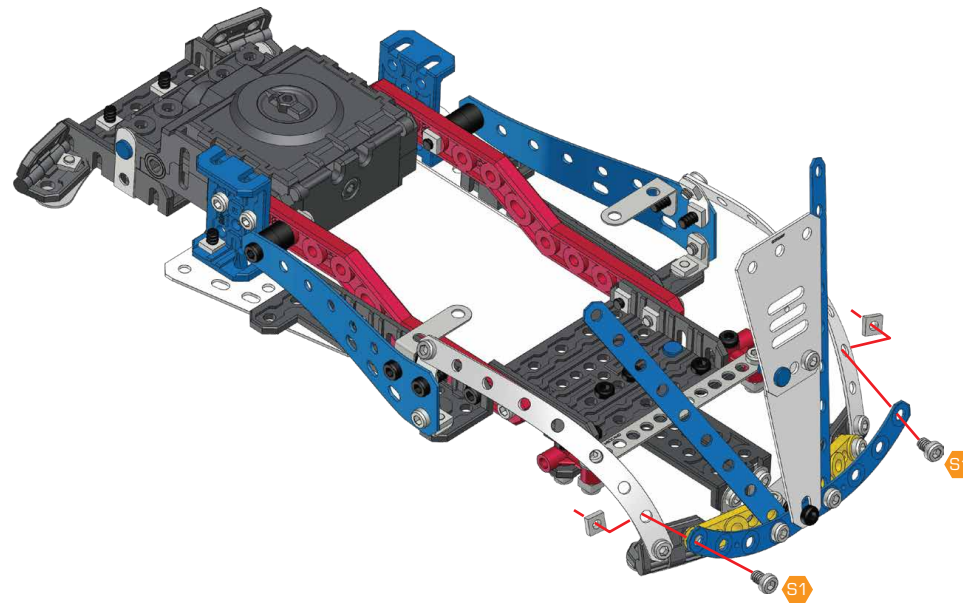
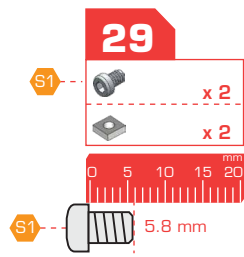










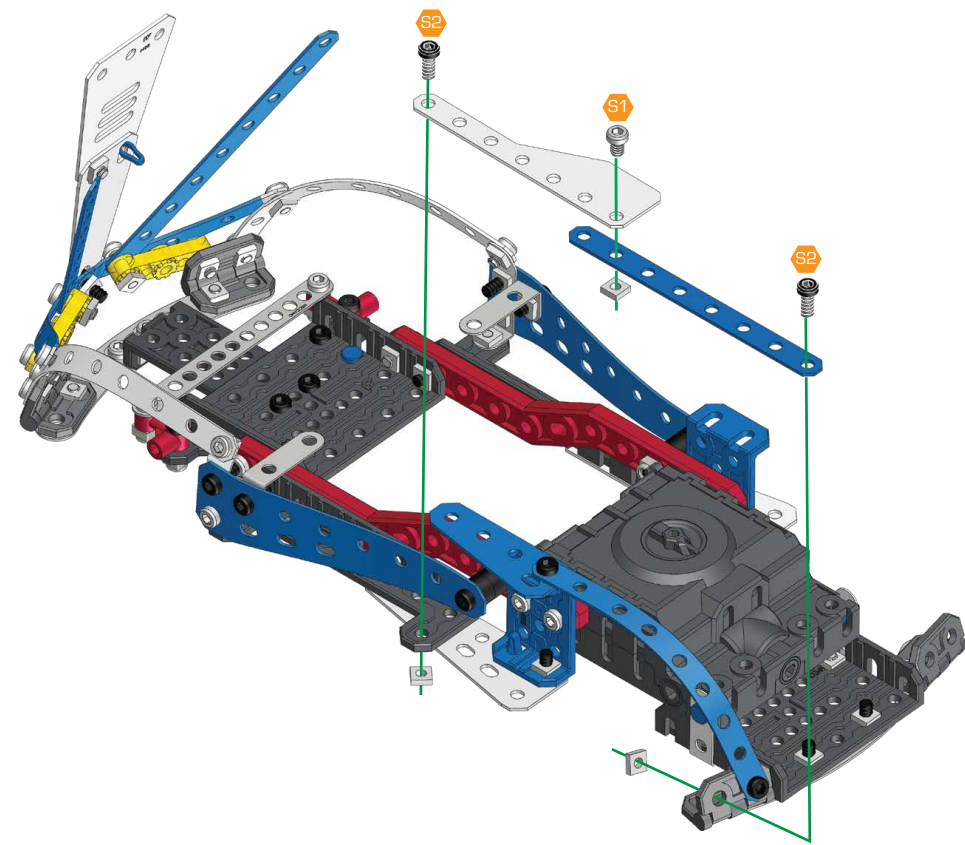


### 31

- S1 x 1
- S2 x 2
- x 3
- x 1
- x 1

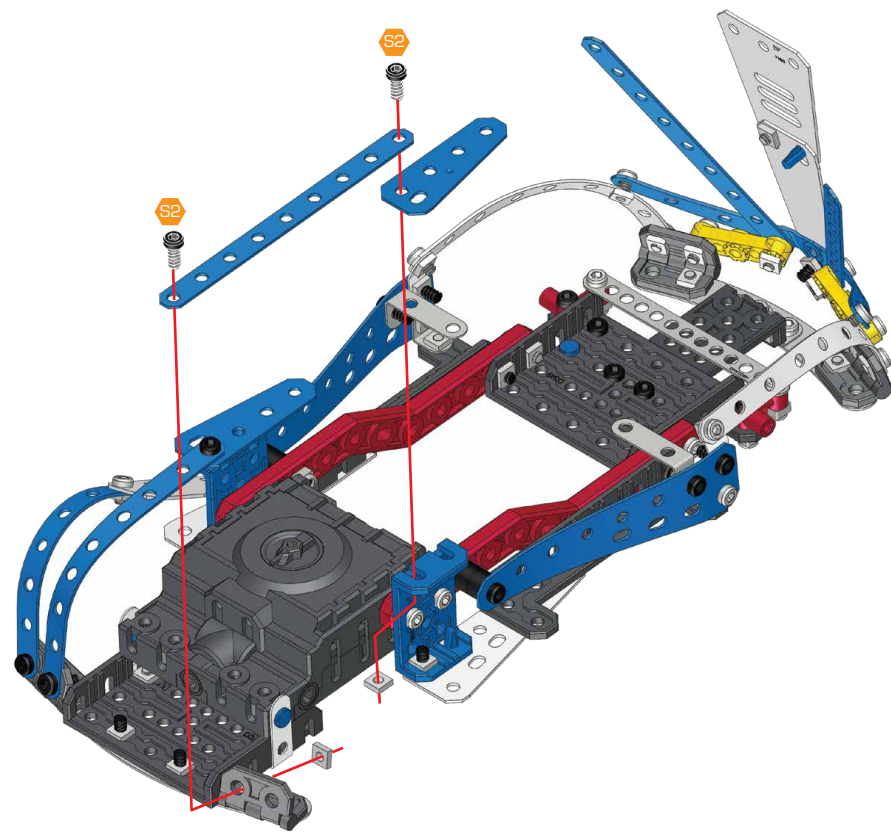


- S1 5.8 mm
- S2 9.5 mm




### 32

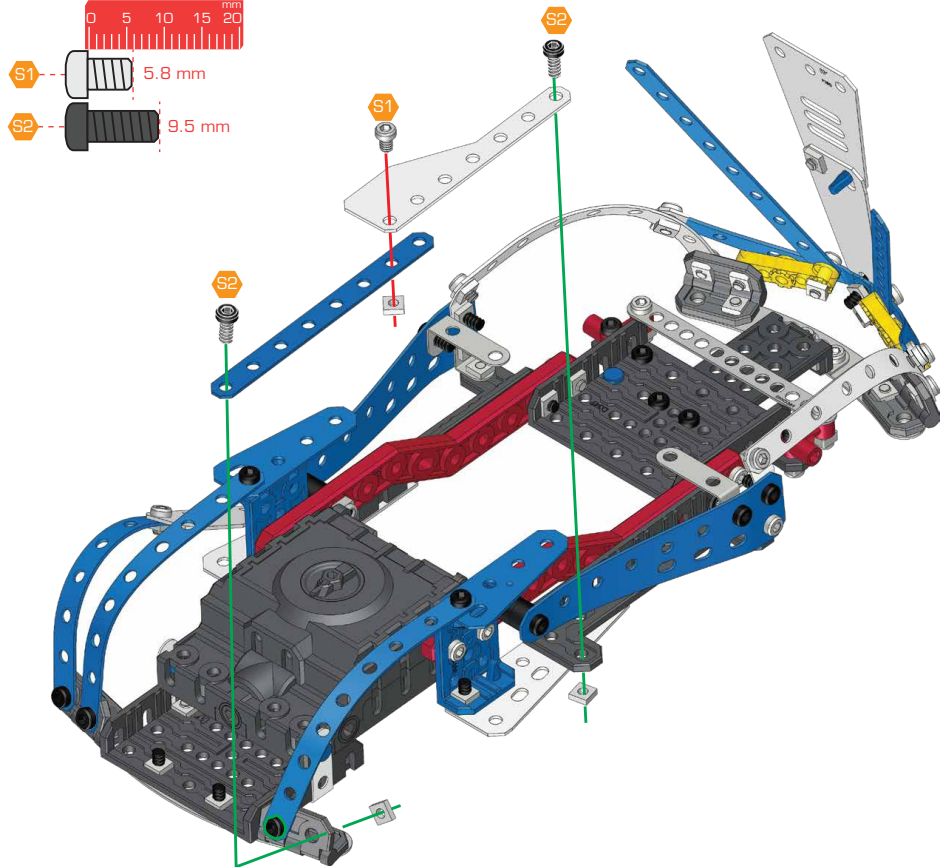
- S2 x 2
  - x 2
  - x 1
  - x 1
- 90°
- 
- S2 9.5 mm




### 33

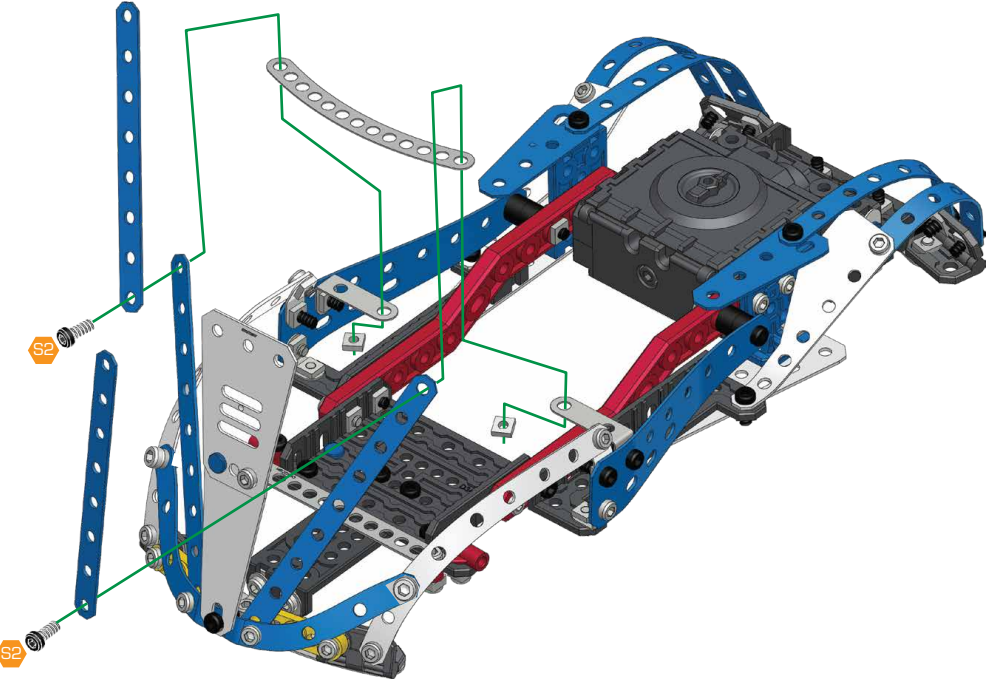
- S1 x 1
  - S2 x 2
  - x 3
  - x 1
  - x 1
- 

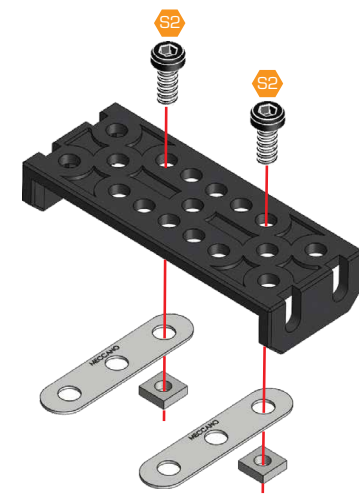
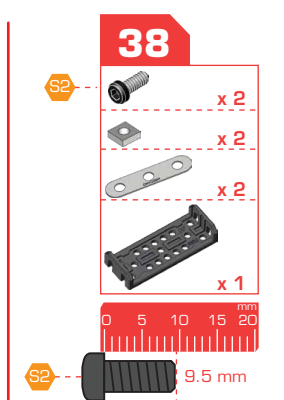
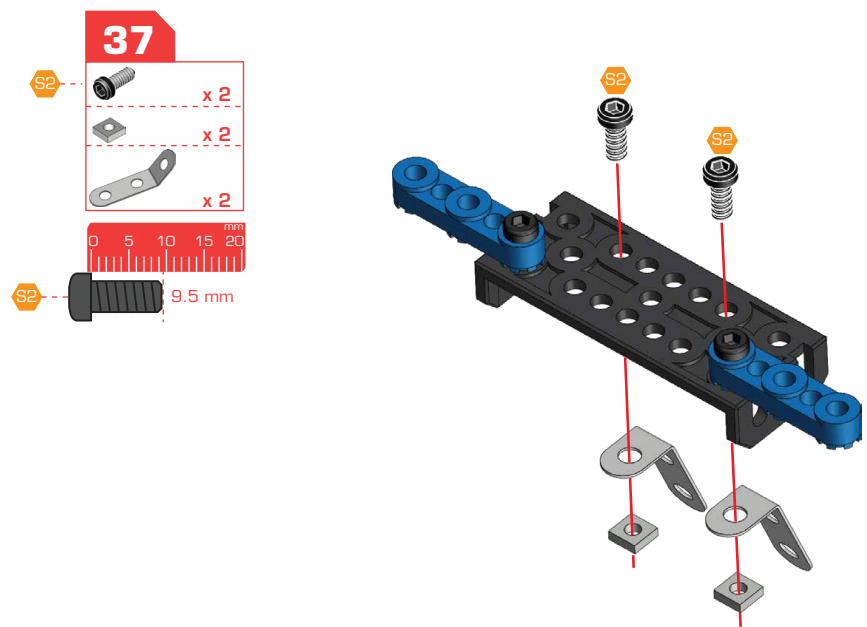
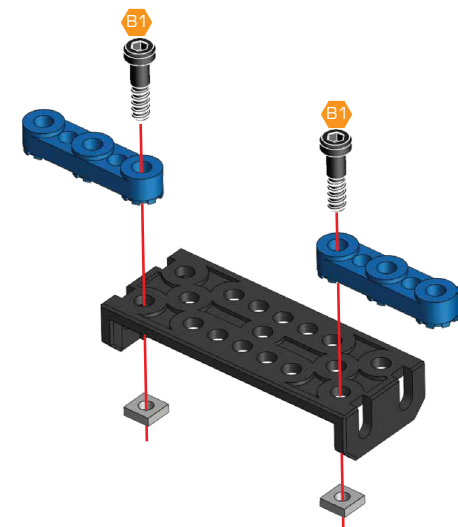
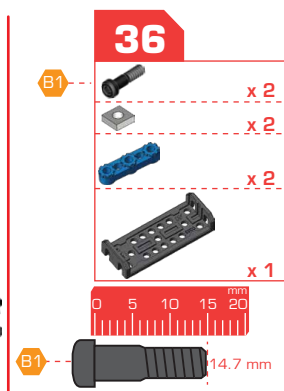
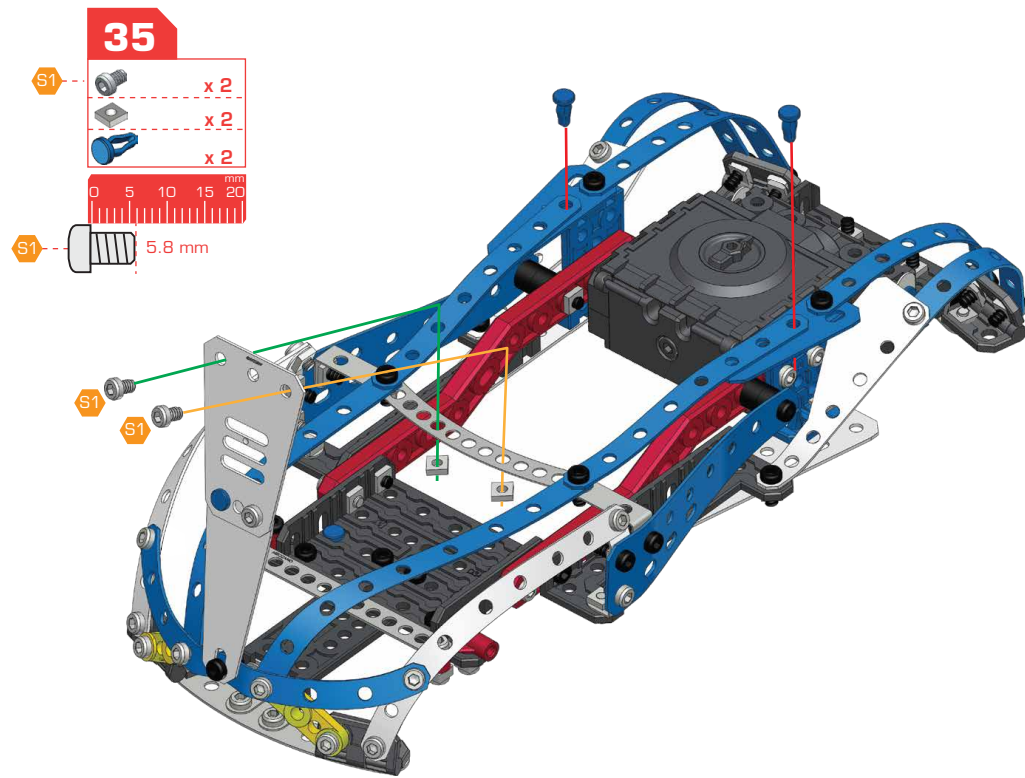
- S1 5.8 mm
- S2 9.5 mm

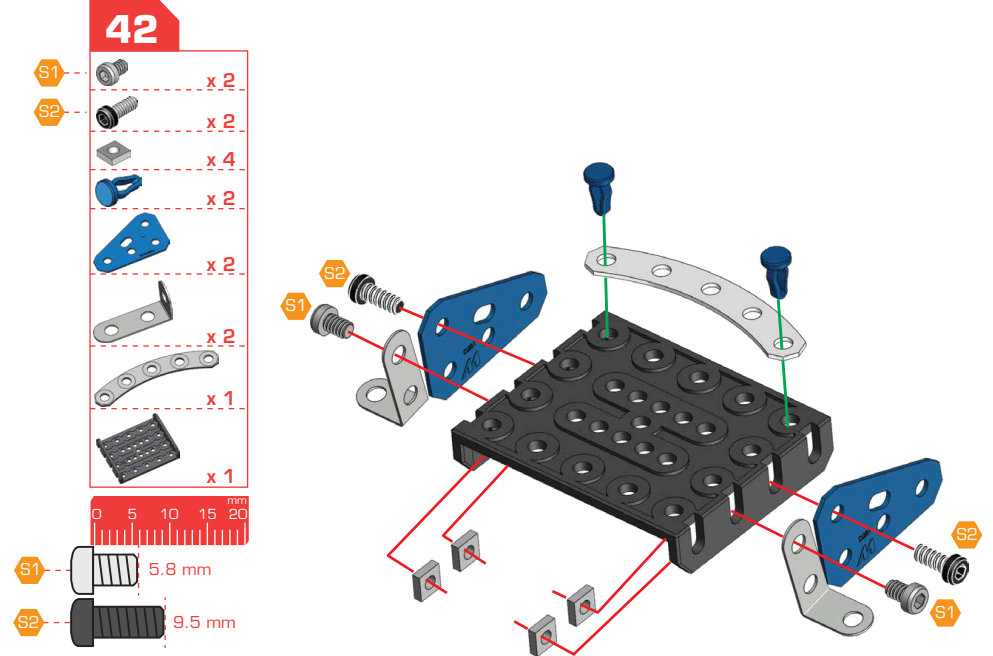
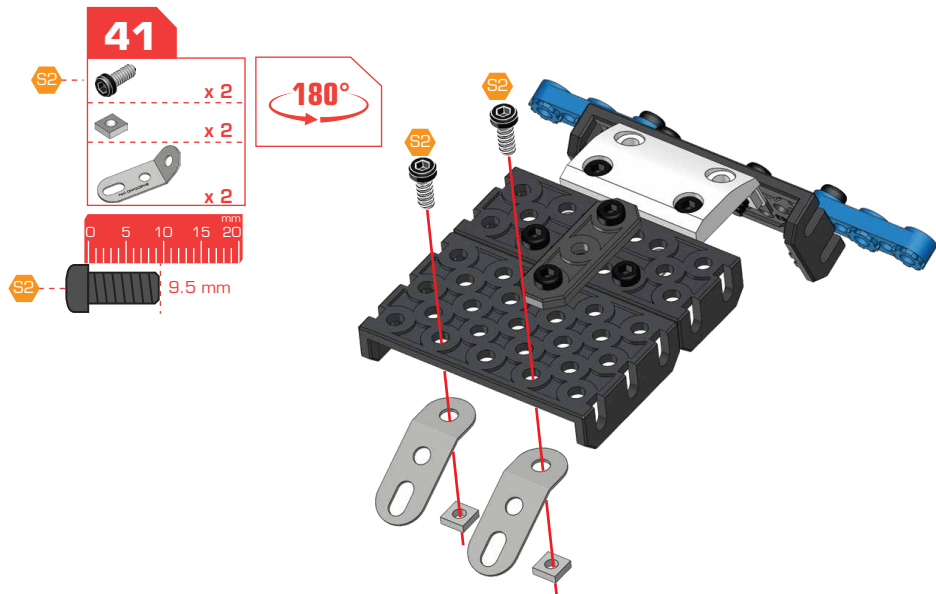
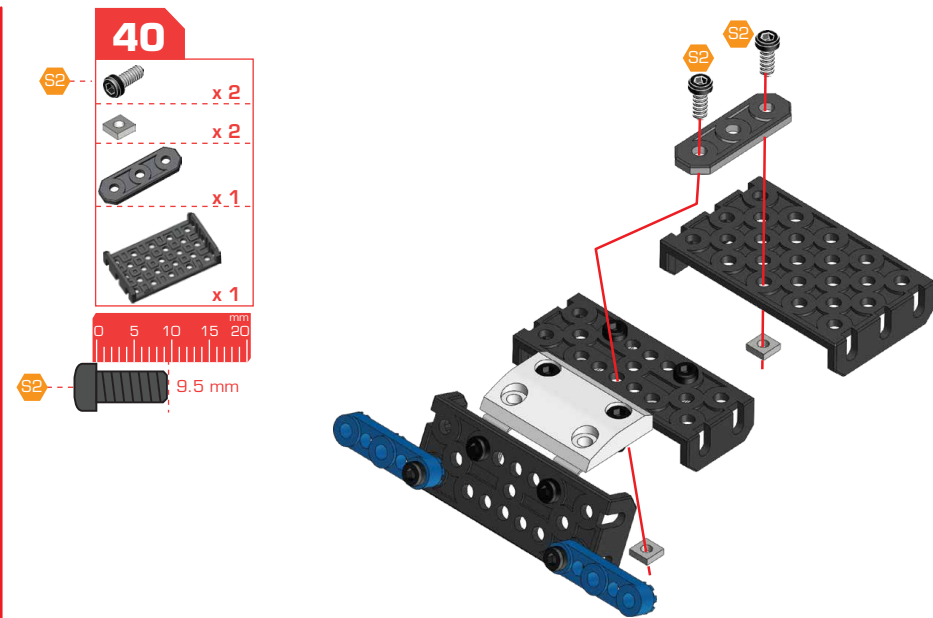
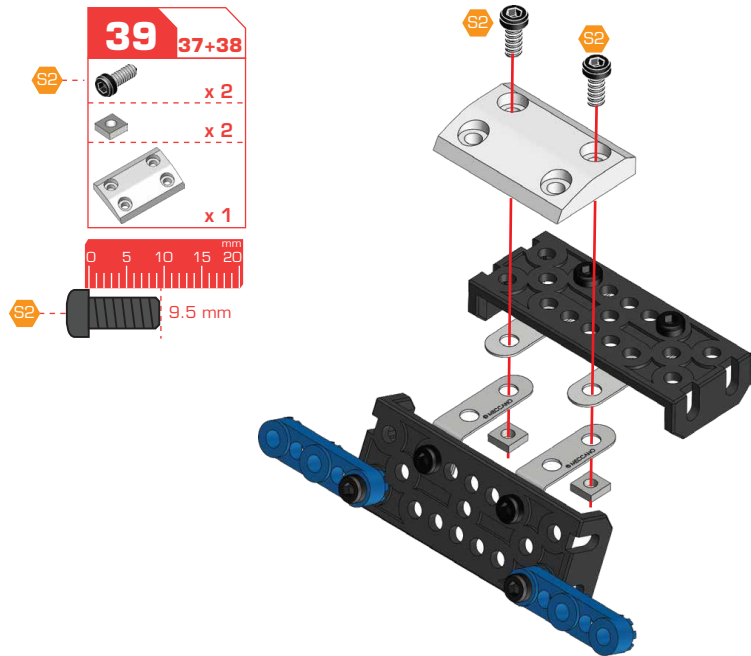


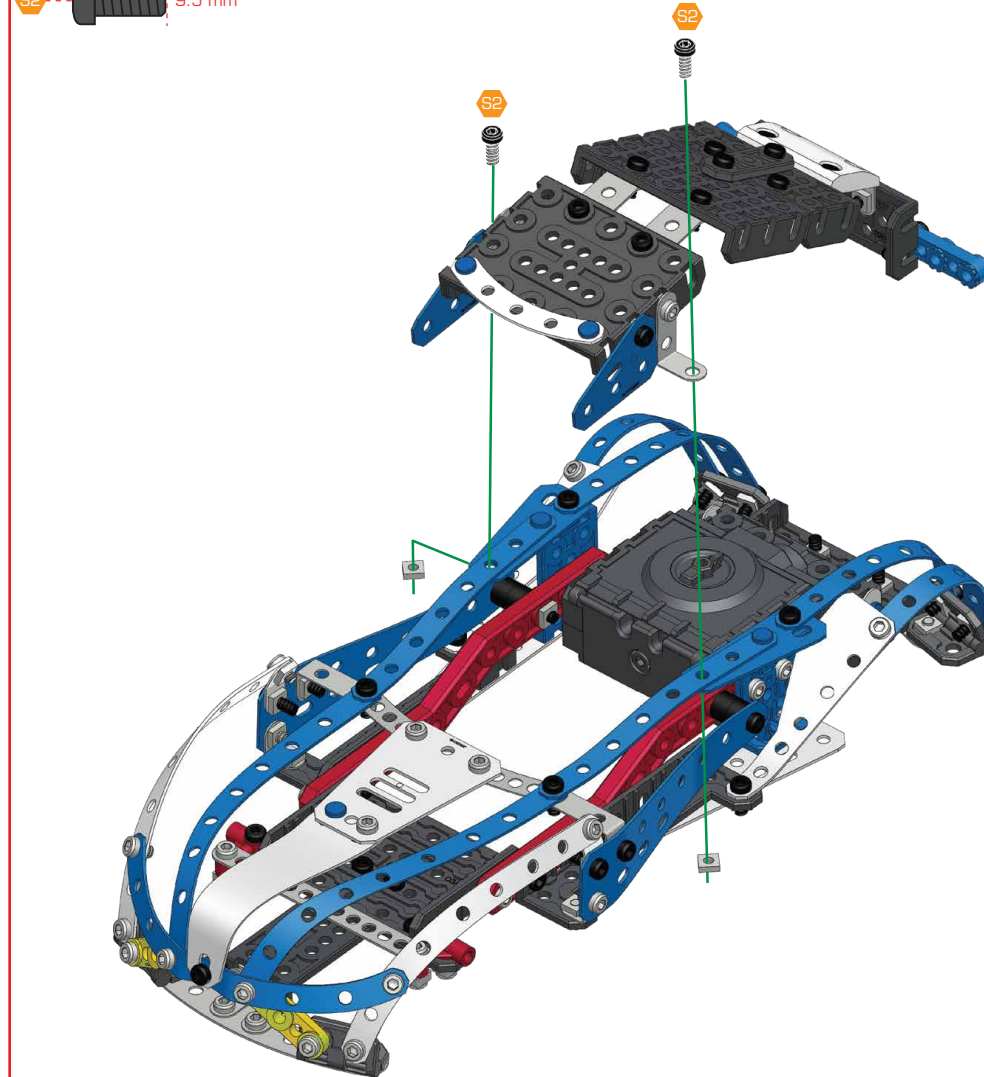
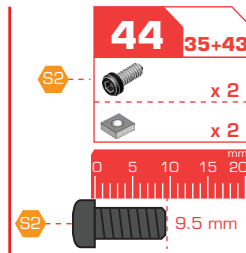
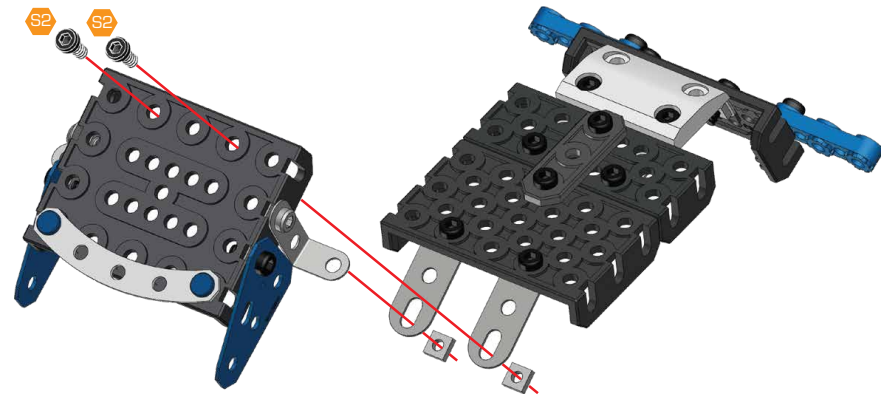
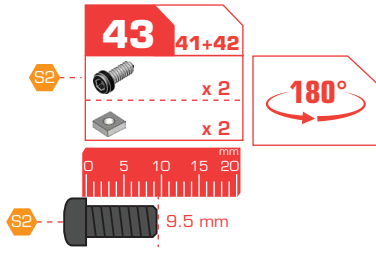
### 34

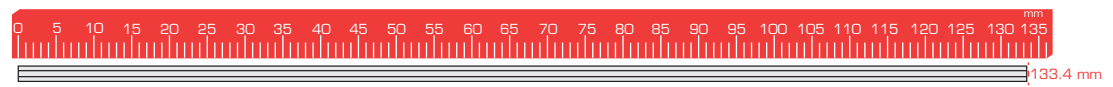
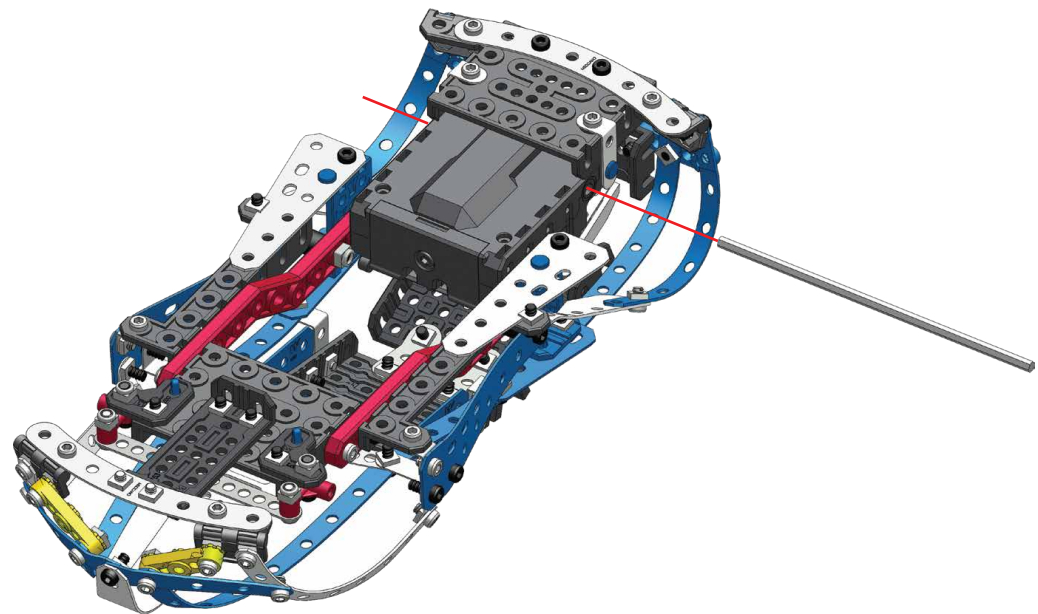
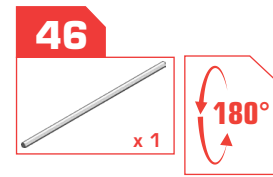
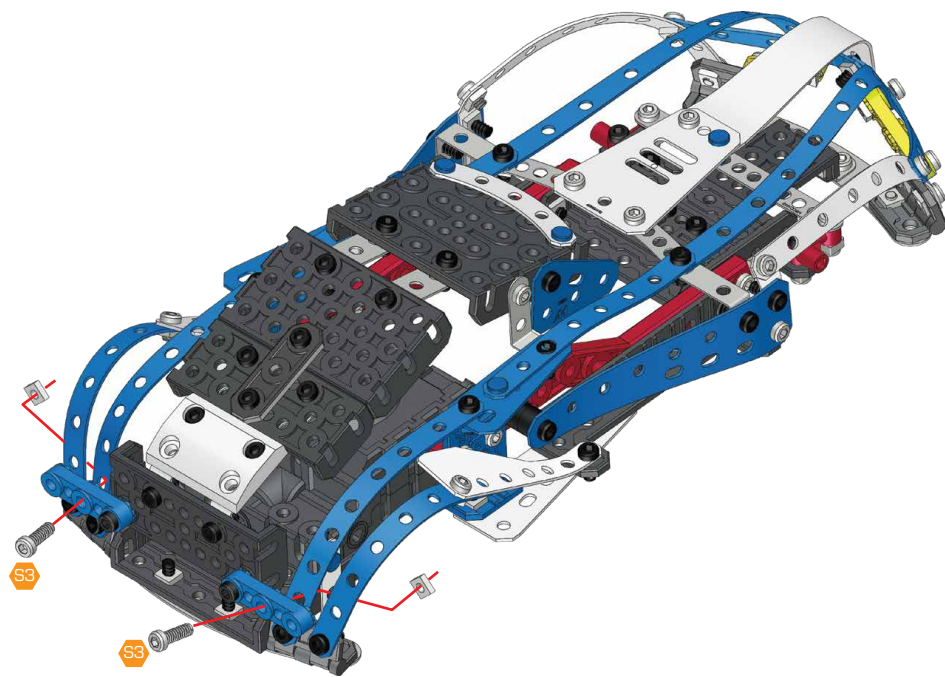
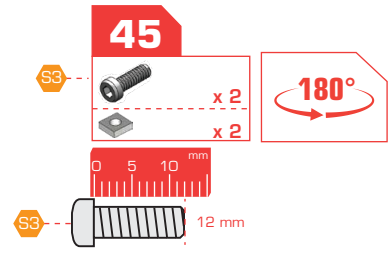
- S2 x 2
  - x 2
  - x 1
  - x 2
- 
- S2 9.5 mm













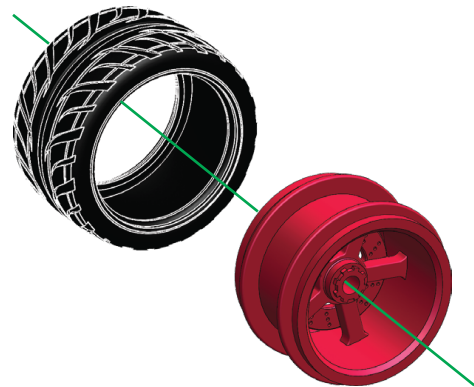
47



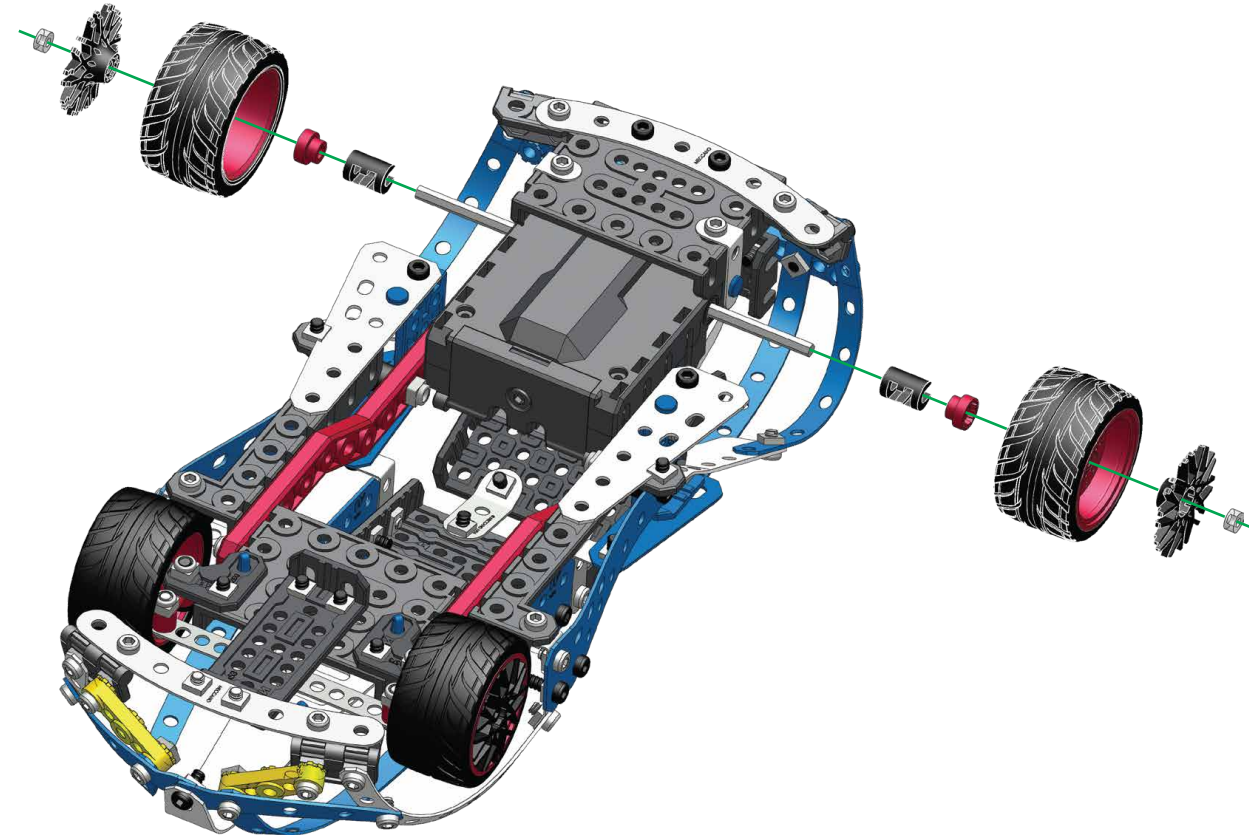
x 2

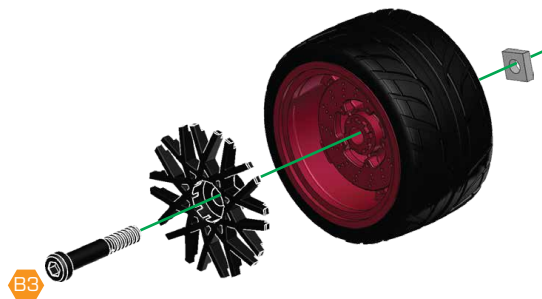


x 2



48 46+47





**50** 48+49

