



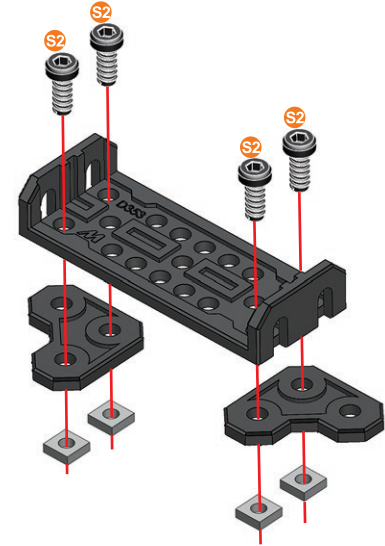






1

-  9,5 mm | 3/8" | **x4**
-  **x4**
-  **x2**
-  **x1**

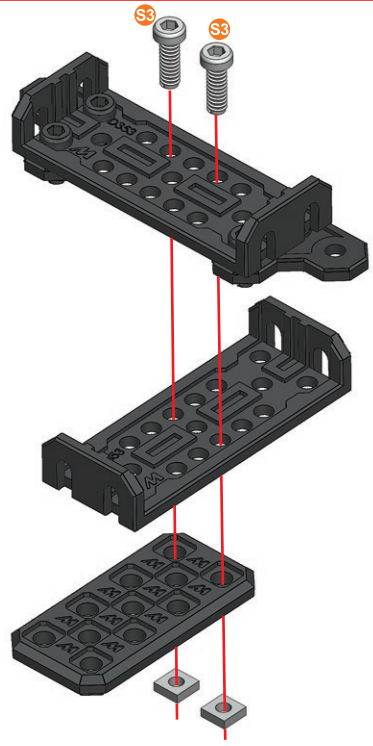
-  **1:1**





2

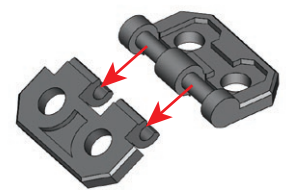
-  12 mm | 1/2" | **x2**
-  **x2**
-  **x1**
-  **x1**

-  **1:1**


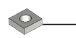



3

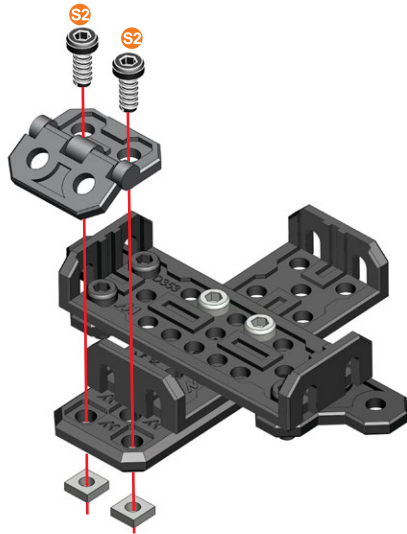
-  **x1**
-  **x1**








4 ②+③+

	9.5 mm 3/8"	x2
		x2



	S2	1:1
---	----	-----

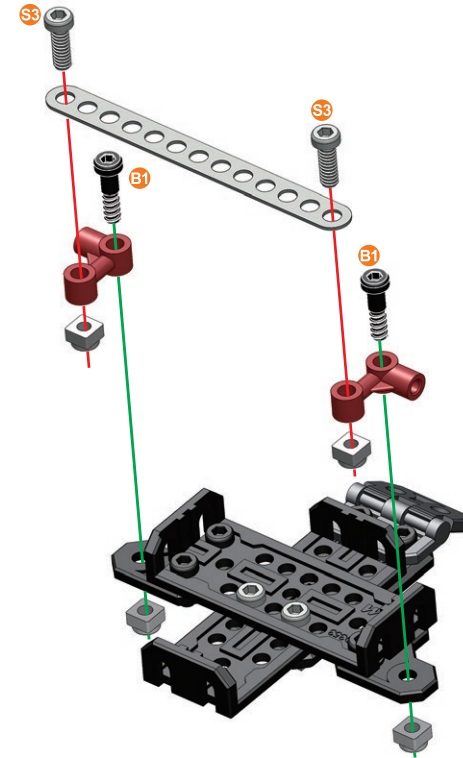


5




	12 mm 1/2"	x2
	14.7 mm 37/64"	x2
		x4
		x2
		x1


↻

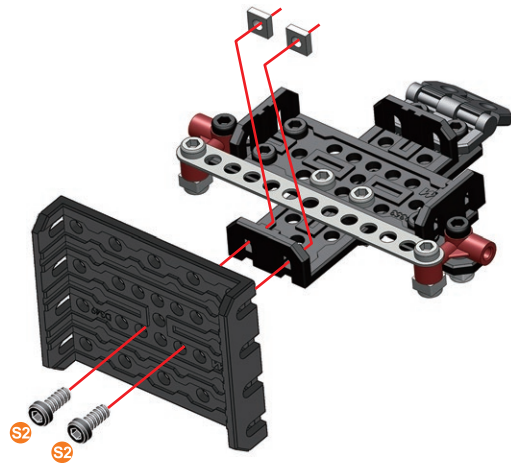
	S3	1:1
	B1	1:1



6

	9.5 mm 3/8"	x2
		x2
		x1

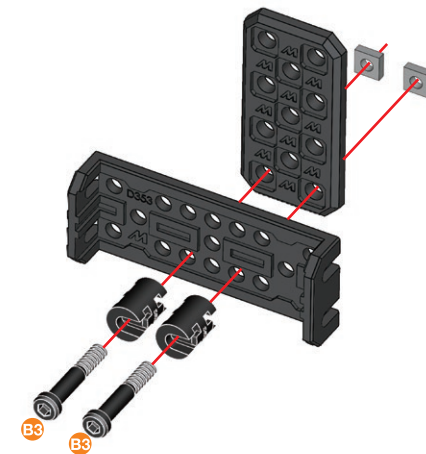
	S2	1:1
---	----	-----




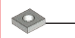

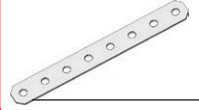
7



	23 mm 15/16"	x2
		x2
		x1
		x1

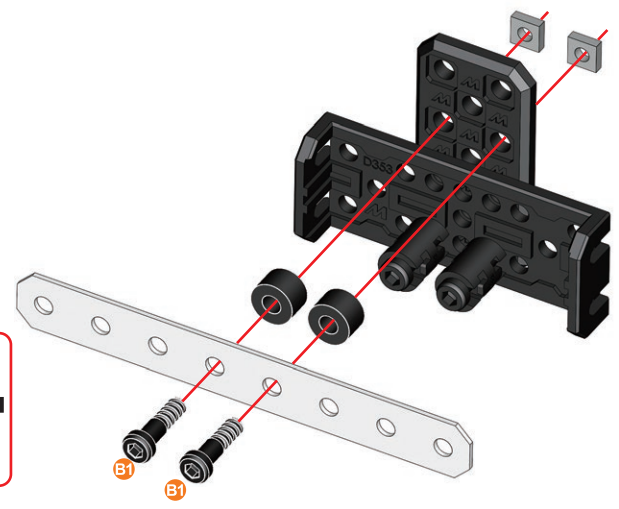
	B3	1:1
---	----	-----





8

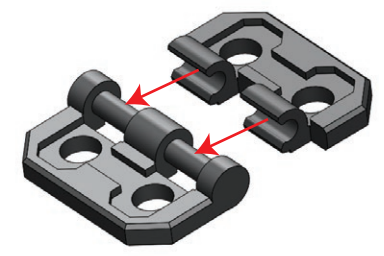
-  | 14.7 mm | $\frac{37}{64}$ " | **x2**
-  | **x2**
-  | **x2**
-  | **x1**

-  | **1:1**
-  | **A238**





9

-  | **x1**
-  | **x1**

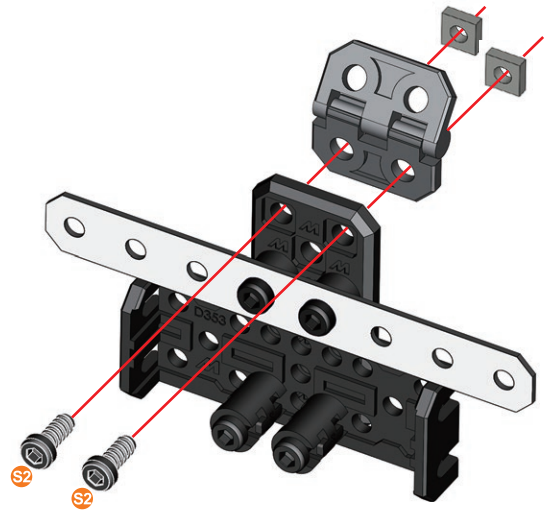


10




(8)+(9)+

-  | 9.5 mm | $\frac{3}{8}$ " | **x2**
-  | **x2**

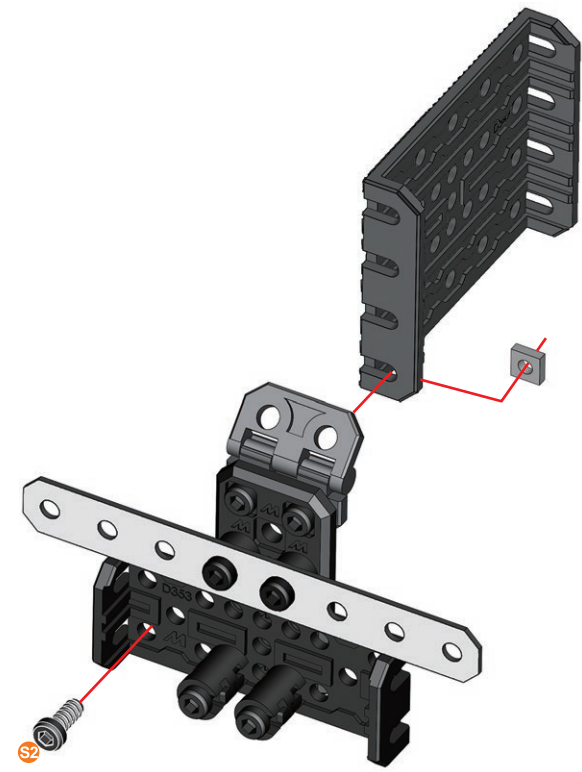
-  | **1:1**



11

-  | 9.5 mm | $\frac{3}{8}$ " | **x1**
-  | **x1**
-  | **x1**

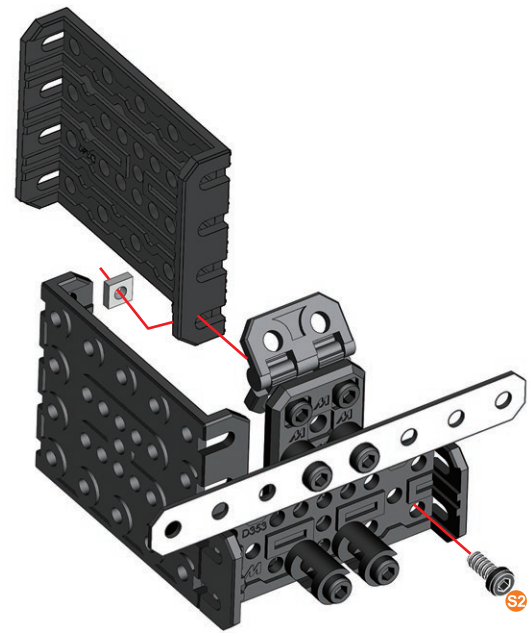
-  | **1:1**



12

- 9.5 mm | 3/8" | x1
- x1
- x1

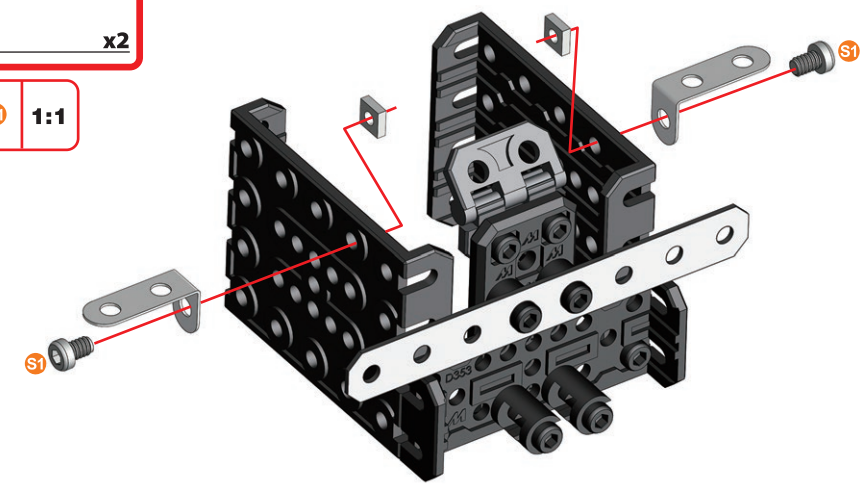
- 1:1



13

- 5.8 mm | 15/64" | x2
- x2
- x2

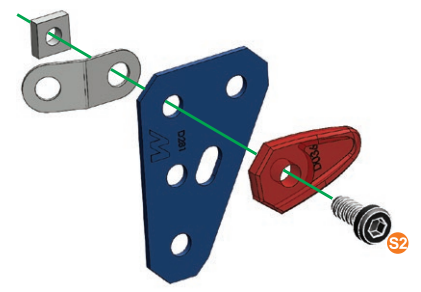
- 1:1



14

- 9.5 mm | 3/8" | x1
- x1
- x1
- x1
- x1

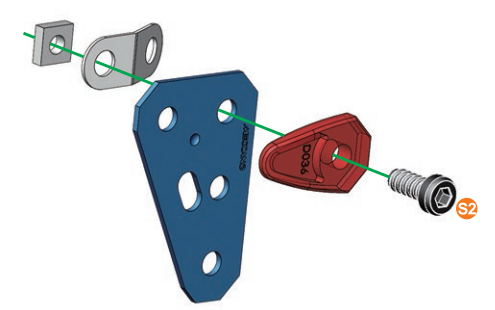
- 1:1



15

- 9.5 mm | 3/8" | x1
- x1
- x1
- x1
- x1

- 1:1

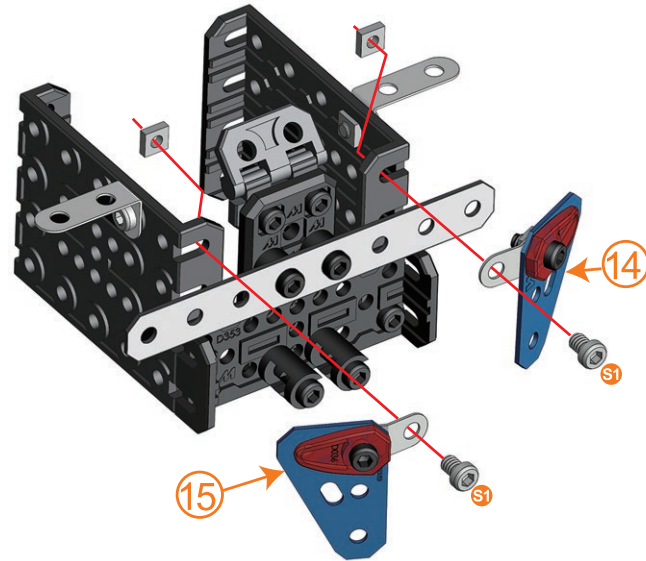


16

(13)+(14)+(15)+

- S1 | 5,8 mm | x2
- 15/64" | x2

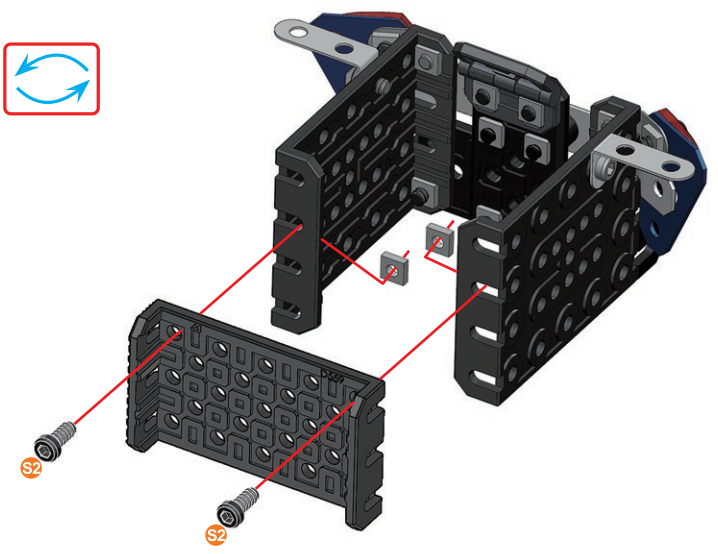
- S1 | 1:1



17

- S2 | 9,5 mm | x2
- 3/8" | x2
- x1

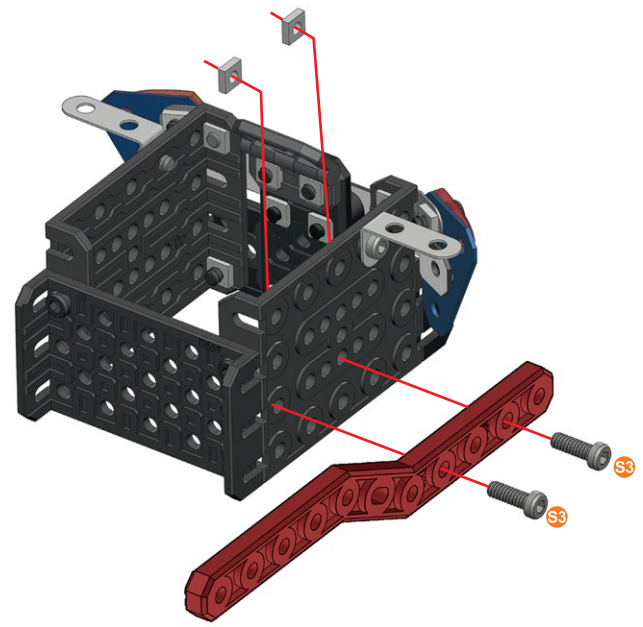
- S2 | 1:1



18

- S3 | 12 mm | x2
- 1/2" | x2
- x1

- S3 | 1:1

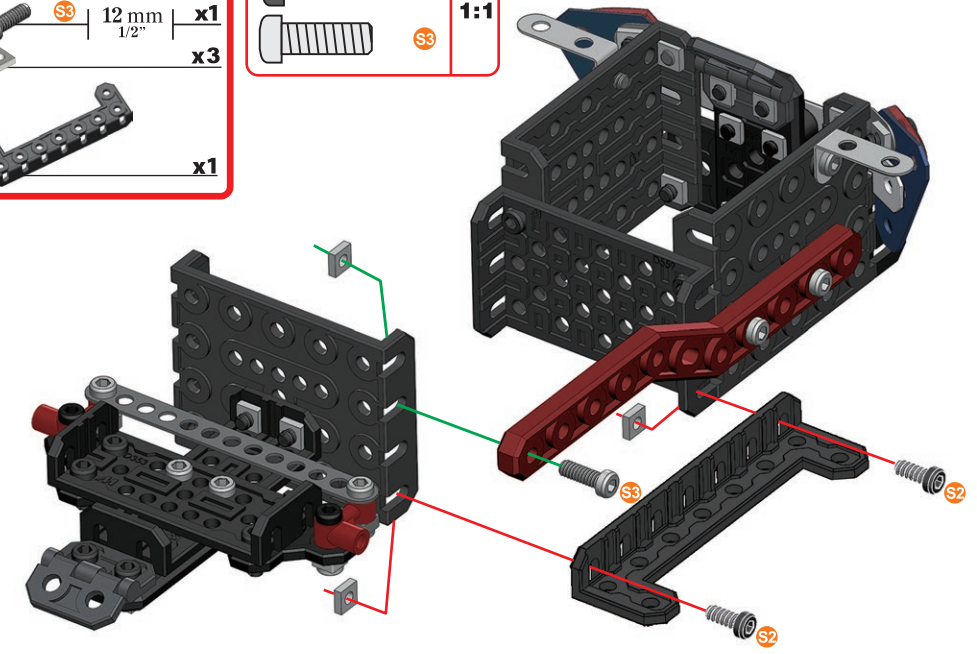


19

(6)+(18)+

- S2 | 9,5 mm | x2
- 3/8" | x1
- S3 | 12 mm | x3
- 1/2" | x3
- x1

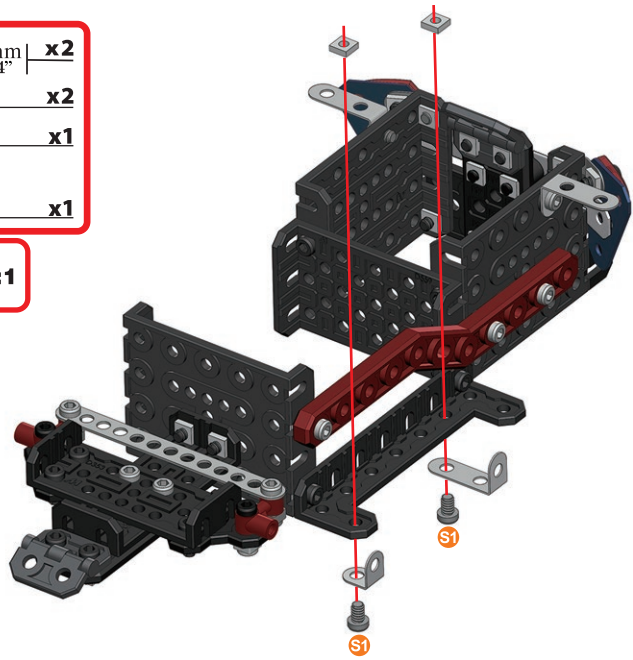
- S2 | 1:1
- S3 | 1:1



20

- 5.8 mm | 15/64" | x2
- x2
- x1
- x1

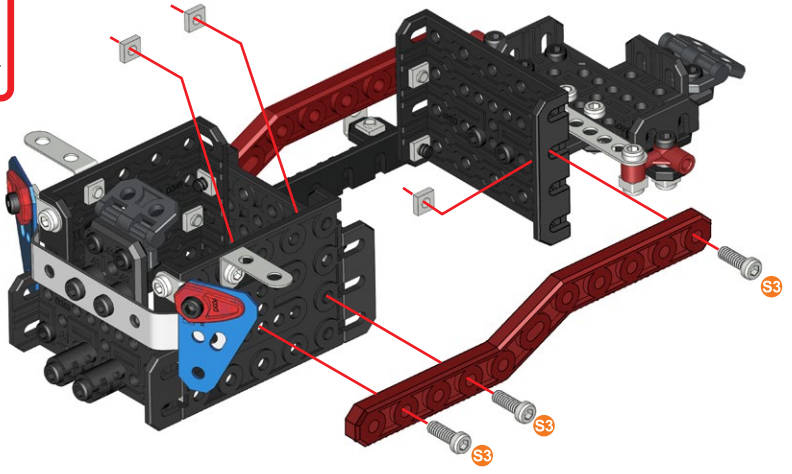
S1 1:1



21

- 12 mm | 1/2" | x3
- x3
- x1

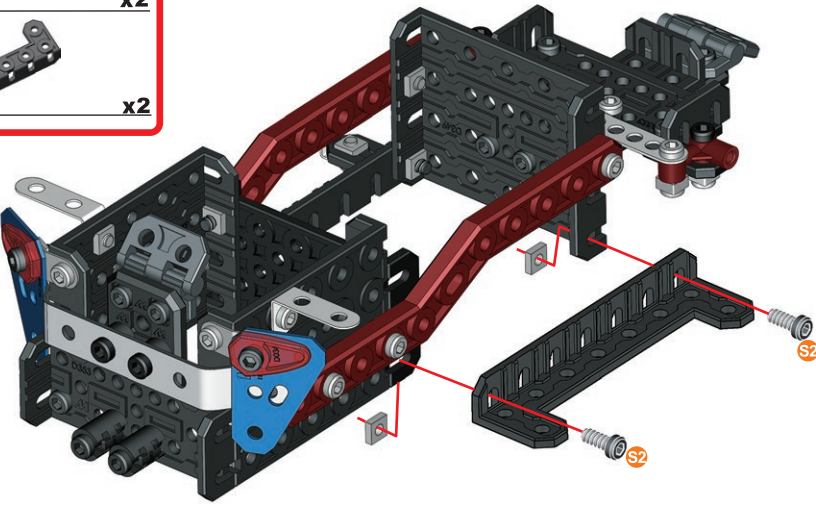
S3 1:1



22

- 9.5 mm | 3/8" | x2
- x2
- x2

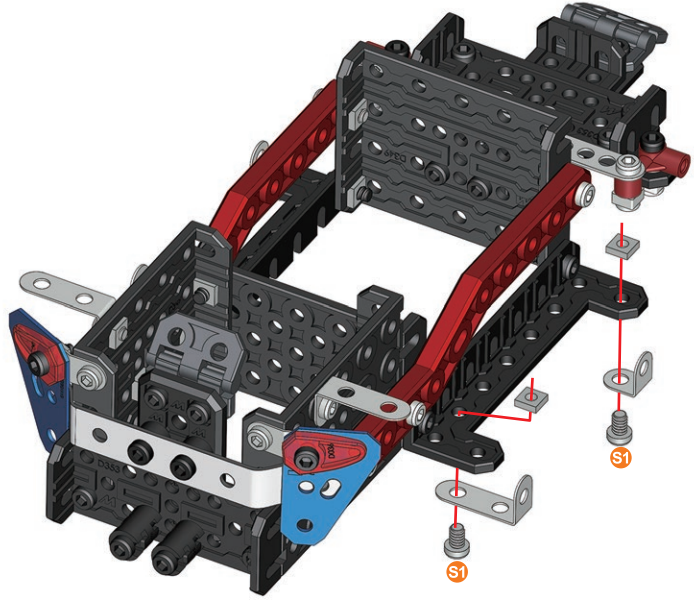
S2 1:1







23

- 5.8 mm | 15/64" | x2
- x2
- x1
- x1

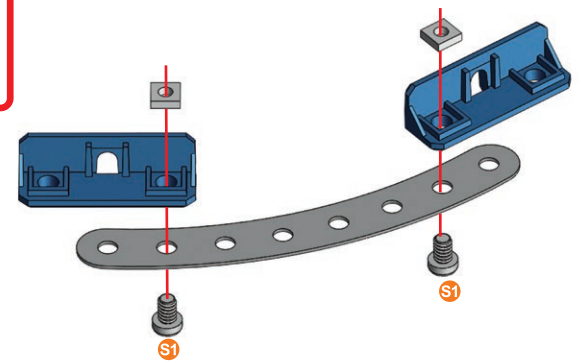
S1 1:1



24

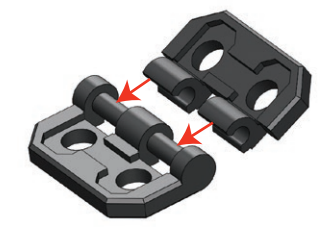
-  | 5,8 mm | 15/64" | **x2**
-  | **x2**
-  | **x2**
-  | **x1**

-  | **1:1**





25

-  | **x2**
-  | **x2**

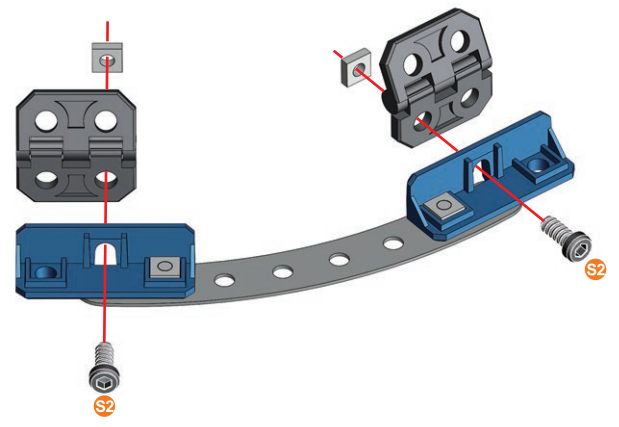


26



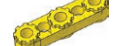
24+25+



-  | 9,5 mm | 3/8" | **x2**
-  | **x2**

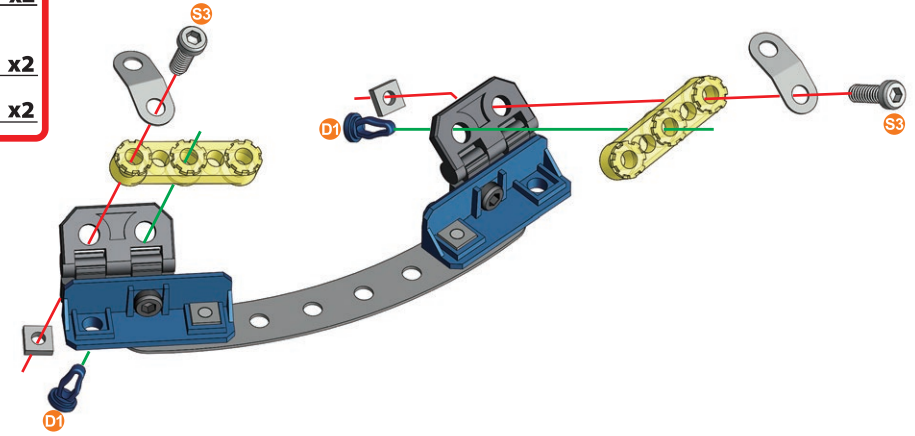
-  | **1:1**









27

-  | 12 mm | 1/2" | **x2**
-  | **x2**
-  | 11,25 mm | 7/16" | **x2**
-  | **x2**
-  | **x2**

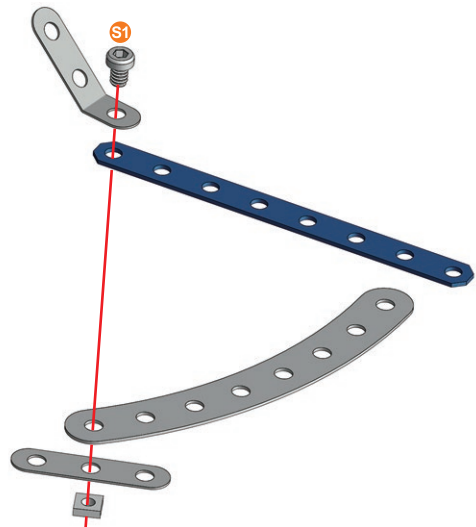
-  | **1:1**
-  | **1:1**








28

-  5.8 mm | 15/64" | x1
-  x1
-  x1
-  x1
-  x1
-  x1

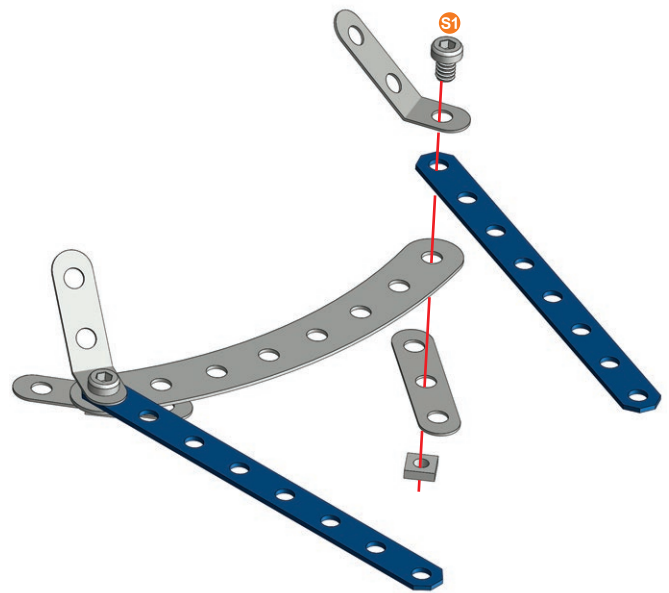
 1:1







29

-  5.8 mm | 15/64" | x1
-  x1
-  x1
-  x1
-  x1

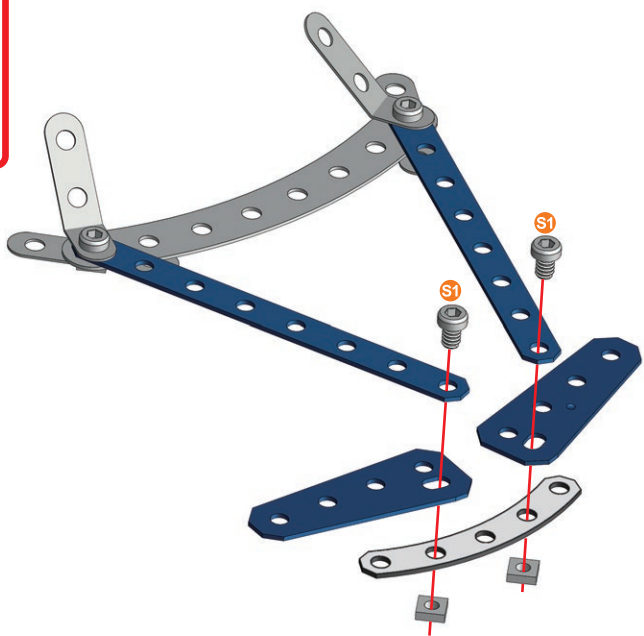
 1:1



30




-  5.8 mm | 15/64" | x2
-  x2
-  x2
-  x1

 1:1

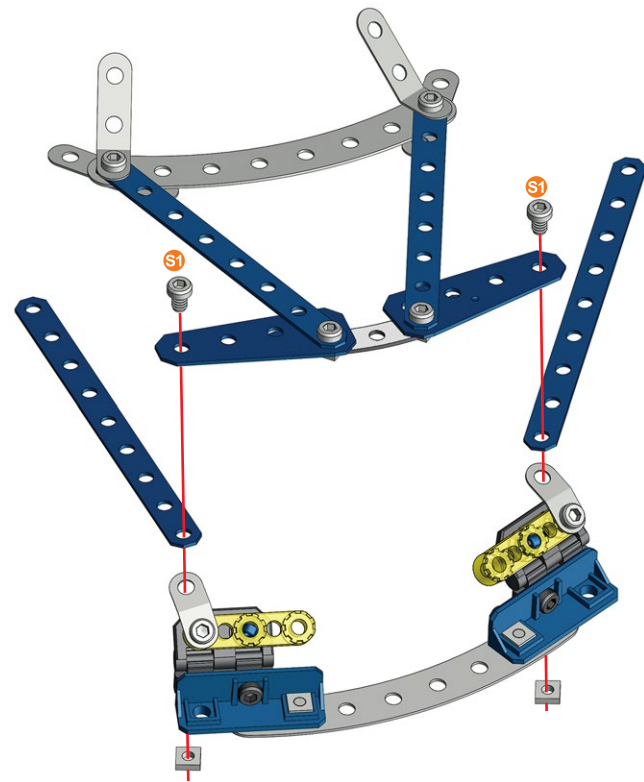


31



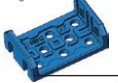

(27)+(30)+

-  5.8 mm | 15/64" | x2
-  x2
-  x2

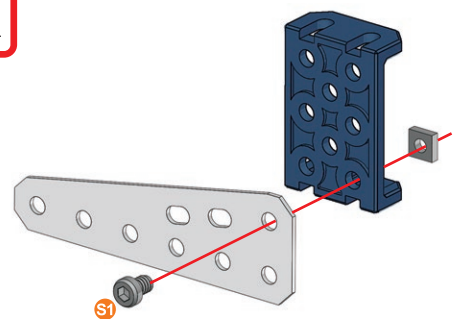
 1:1



32



-  **S1** | 5.8 mm | 15/64" | **x1**
-  | **x1**
-  | **x1**
-  | **x1**

-  **S1** | **1:1**

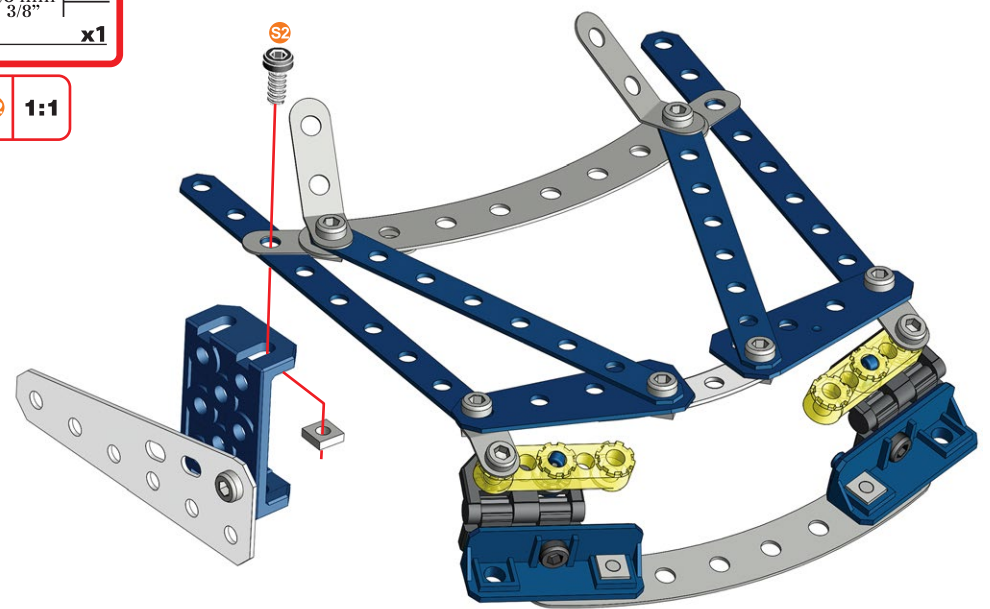


33



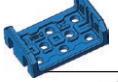
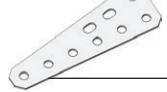
31)+32+

-  **S2** | 9.5 mm | 3/8" | **x1**
-  | **x1**

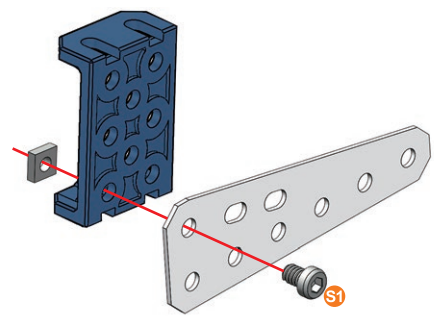
-  **S2** | **1:1**



34


-  **S1** | 5.8 mm | 15/64" | **x1**
-  | **x1**
-  | **x1**
-  | **x1**

-  **S1** | **1:1**

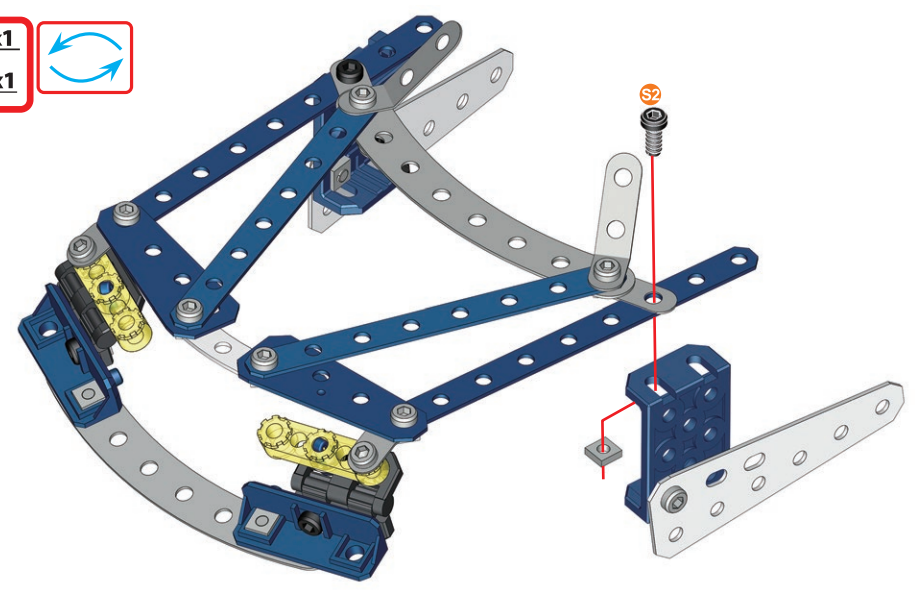
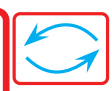


35

33)+34+



-  **S2** | 9.5 mm | 3/8" | **x1**
-  | **x1**

-  **S2** | **1:1**

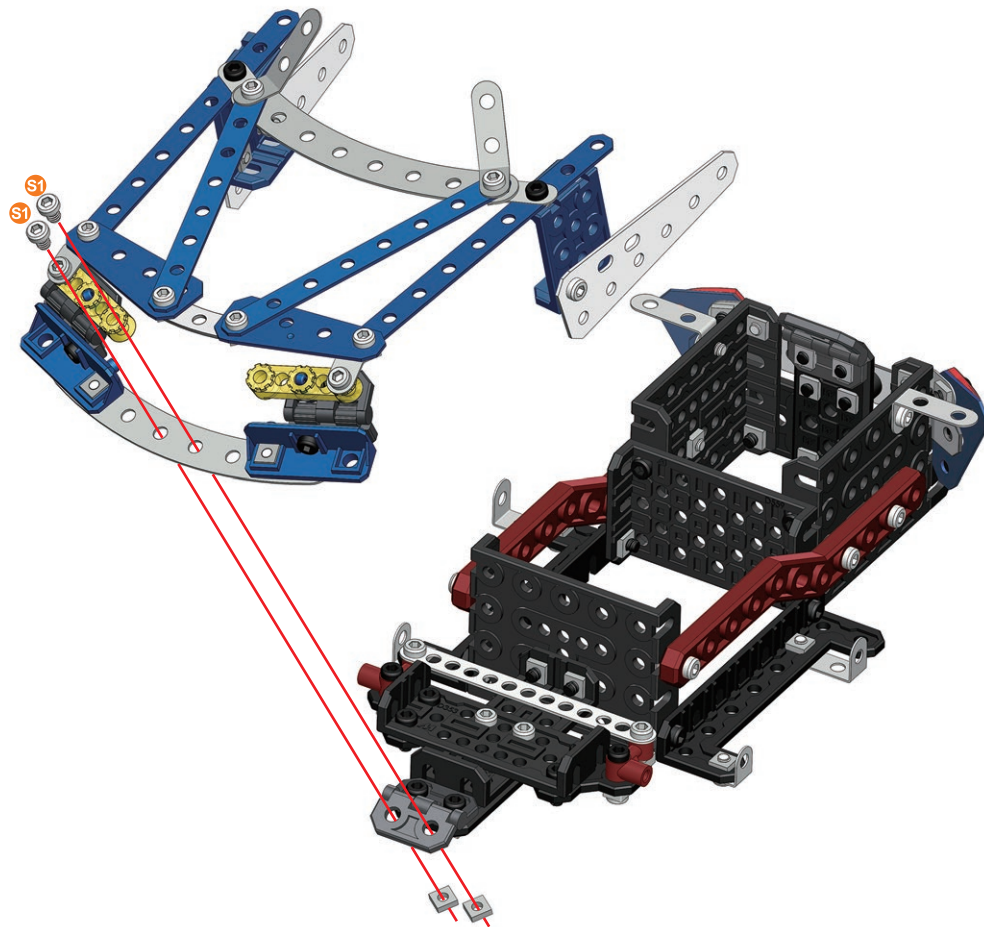


36







23+35+



-  5.8 mm | 15/64" | x2
-  x2

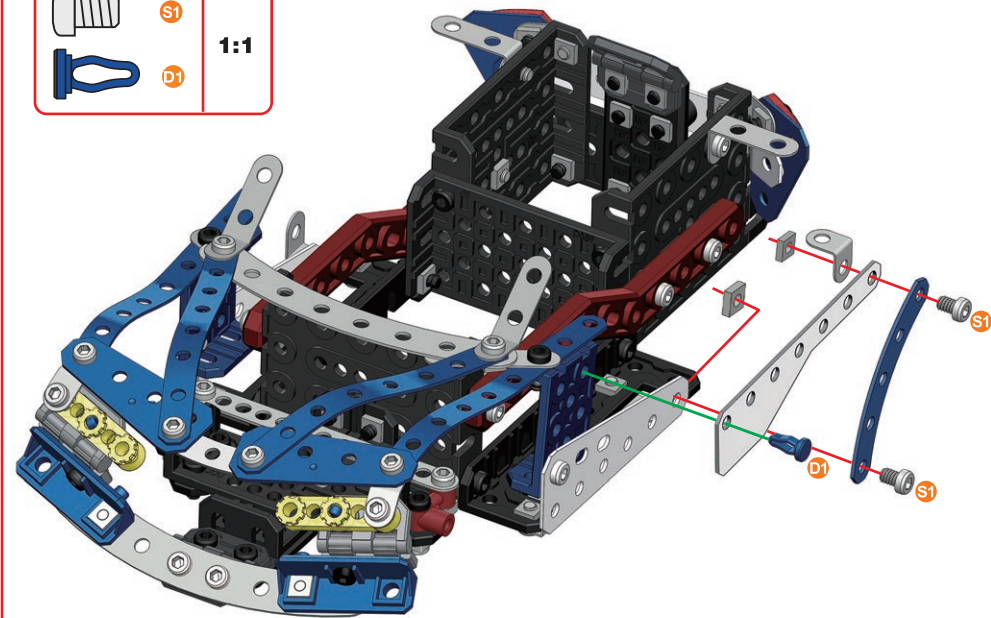
-  1:1



37

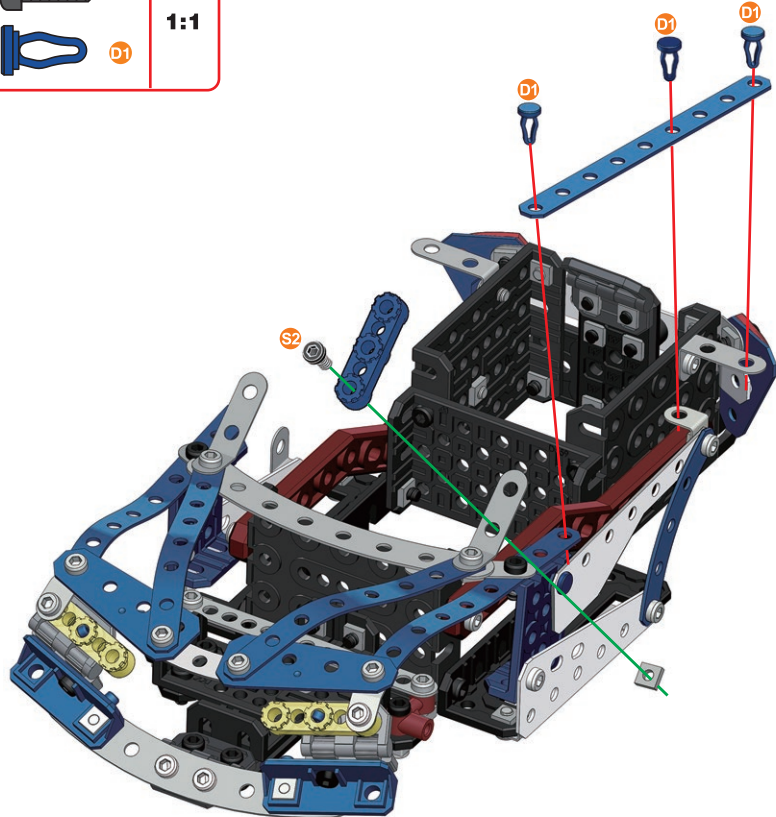
-  5.8 mm | 15/64" | x2
-  x2
-  11.25 mm | 7/16" | x1
-  x1
-  x1
-  x1

-  1:1
-  1:1



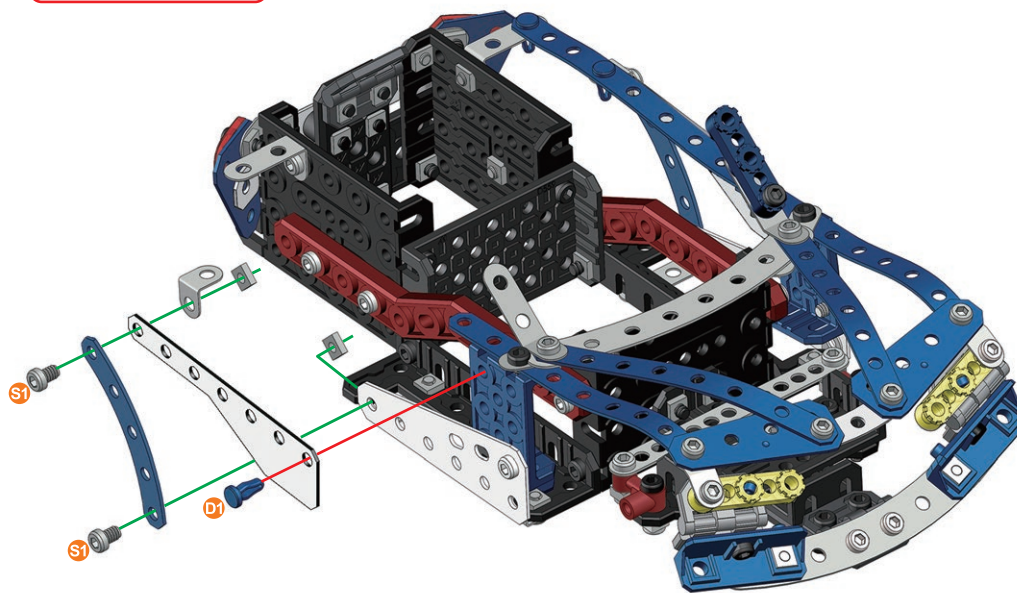
38

- S2 | 9,5 mm | x1
3/8"
- D1 | 11,25 mm | x3
7/16"
- x1
- x1



39

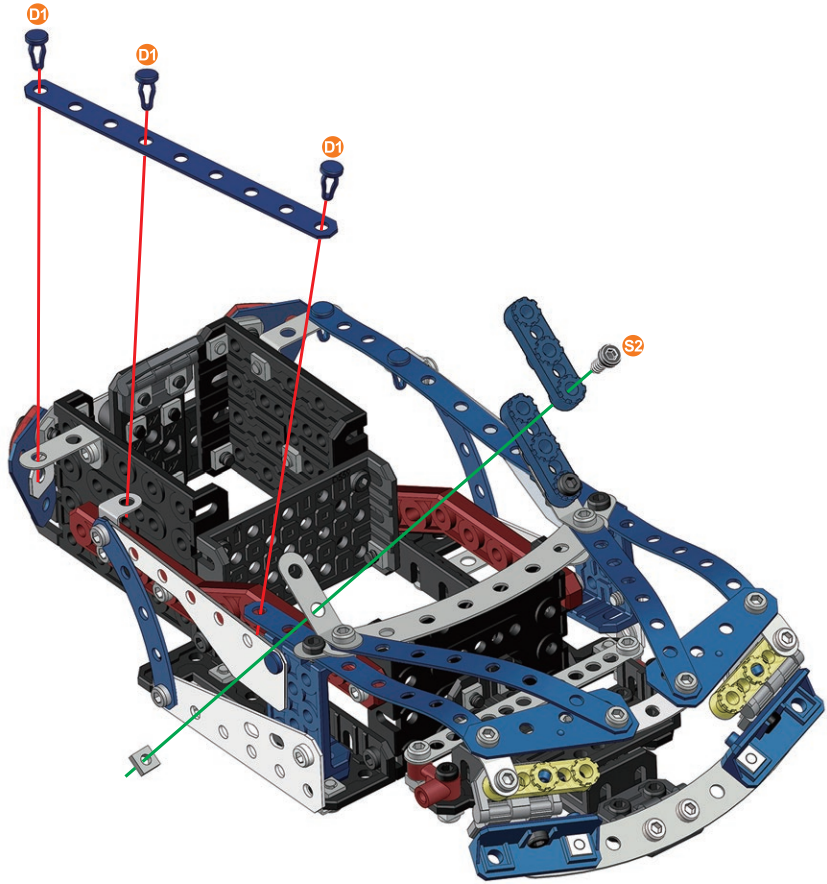
- S1 | 5,8 mm | x2
15/64"
- D1 | 11,25 mm | x1
7/16"
- x1
- x1
- x1



40

- S2 | 9,5 mm | x1
- | x1
- D1 | 11,25mm | x3
- | x1
- | x1

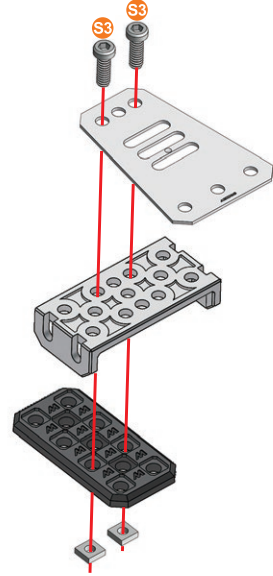
- D1 | 1:1
- D1 | 1:1



41

- S3 | 12 mm | x2
- | x2
- | x1
- | x1
- | x1

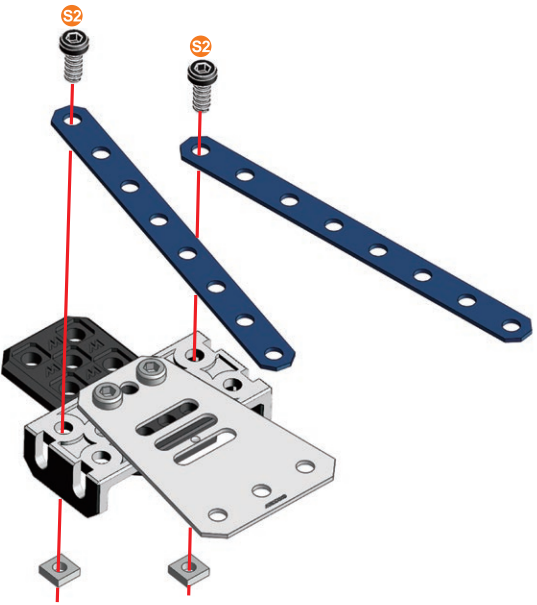
- S3 | 1:1







42

- S2 | 9,5 mm | x2
- | x2
- | x2

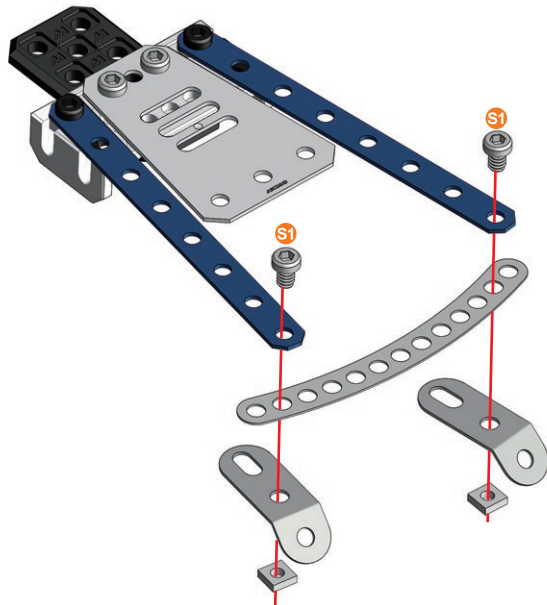
- D1 | 1:1



43


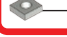
-  5.8 mm | 15/64" | x2
-  x2
-  x2
-  x1

-  1:1

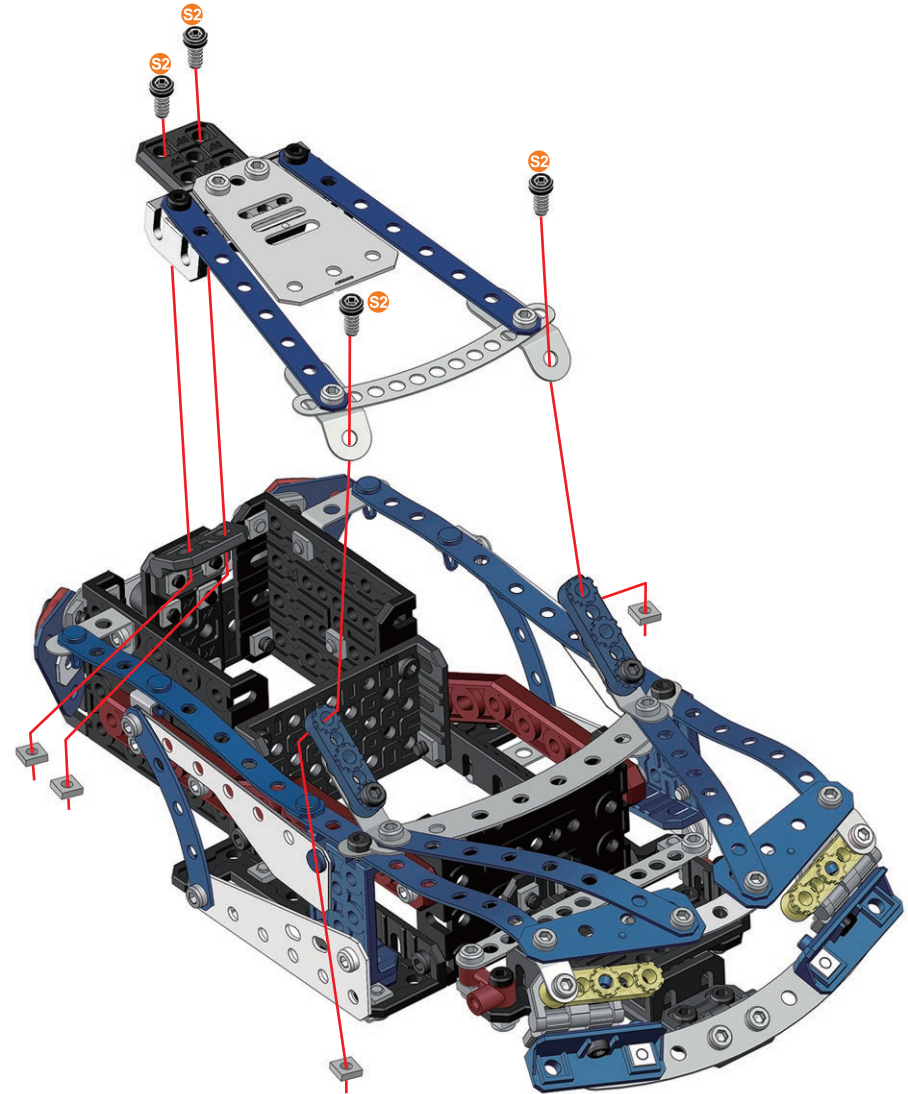


44

40+43+

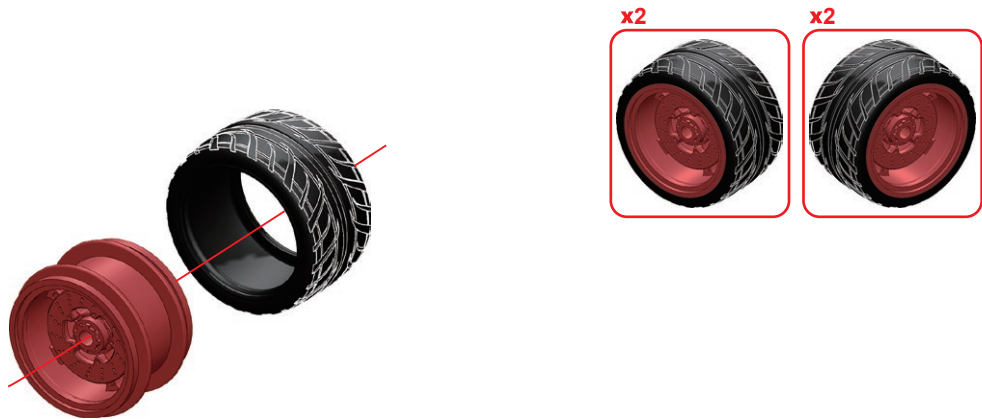
-  9.5 mm | 3/8" | x4
-  x4

-  1:1





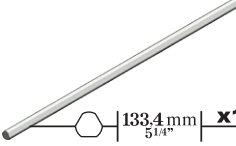


45

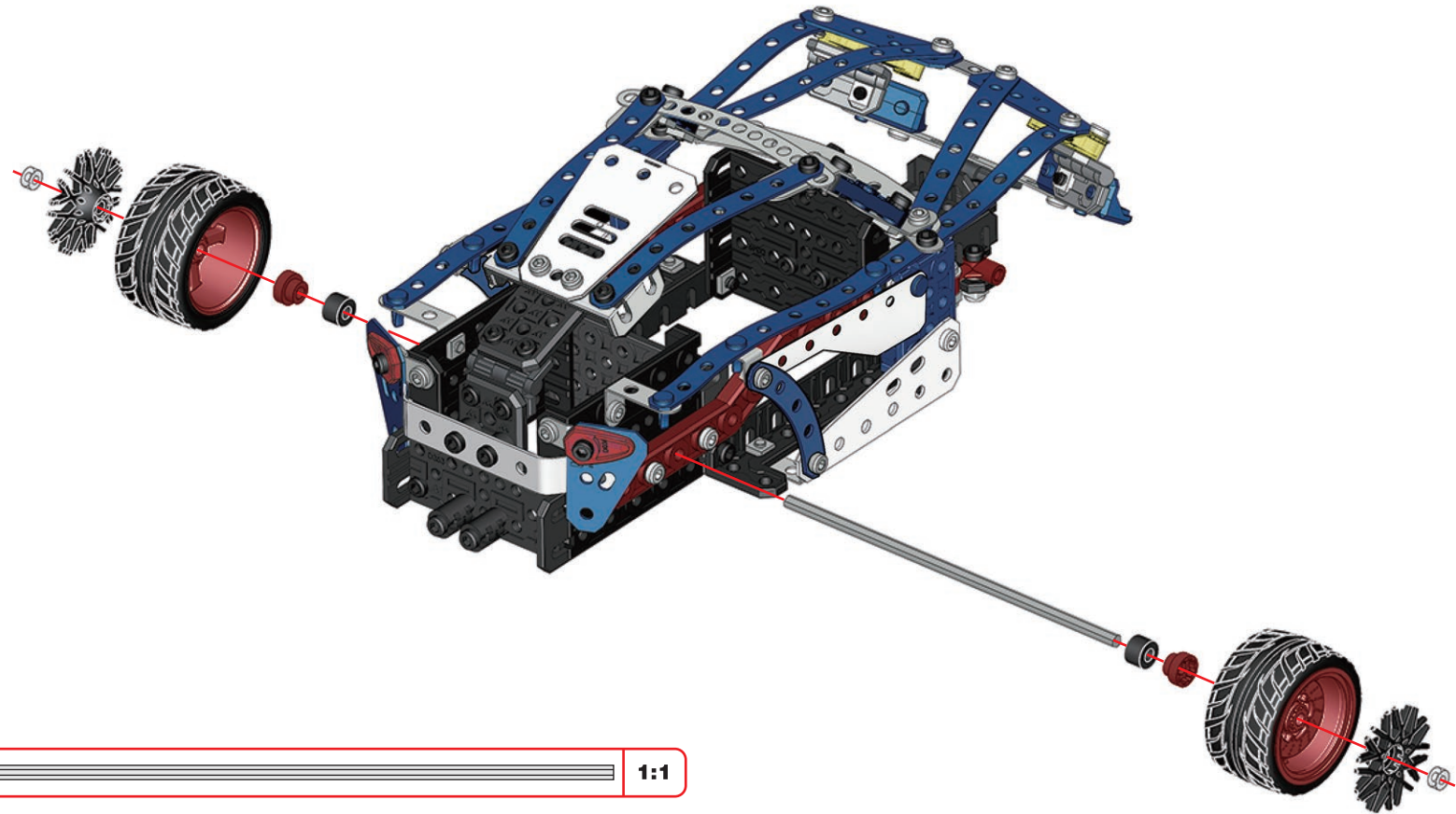
	x4
	x4



46 (44)+(45)+

	x2
	x2
	x2
	x2
	x1




133,4mm
5 1/4"



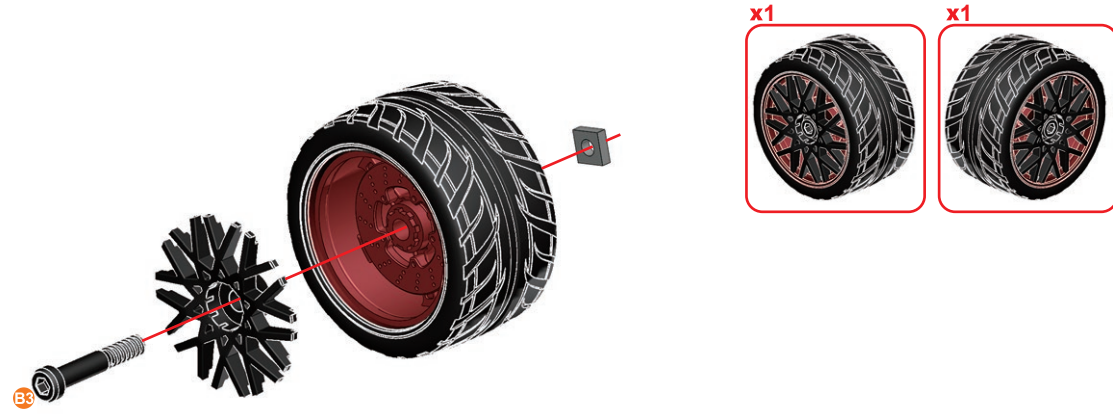
		A238	1:1
---	---	-------------	------------

	1:1
--	------------

47

	23 mm 1 5/16"	x2
		x2
		x2

	1:1
---	-----



48

46+47+

