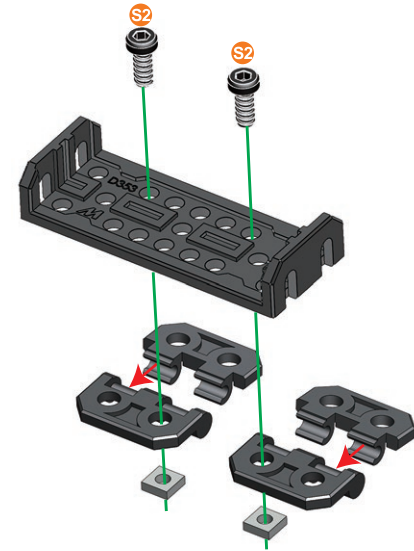
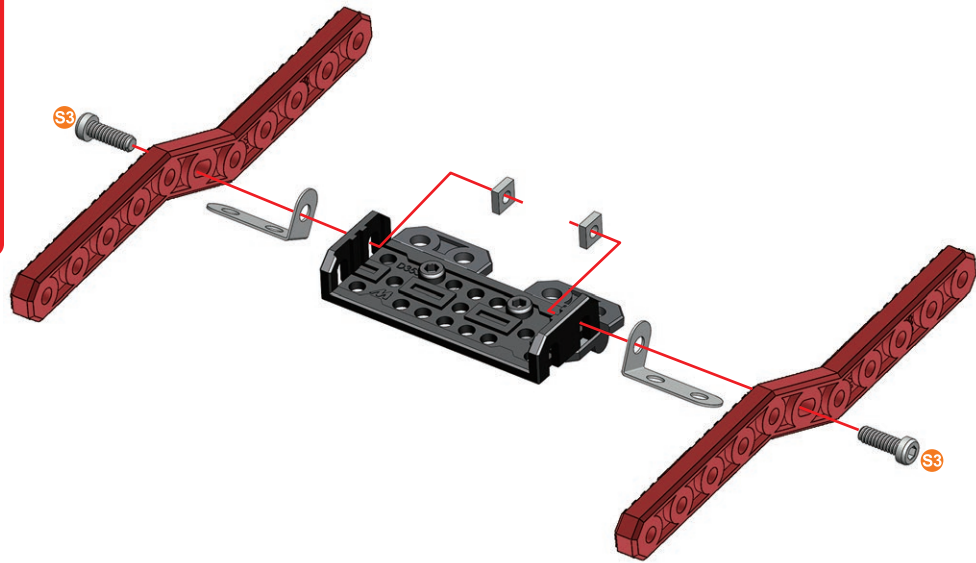


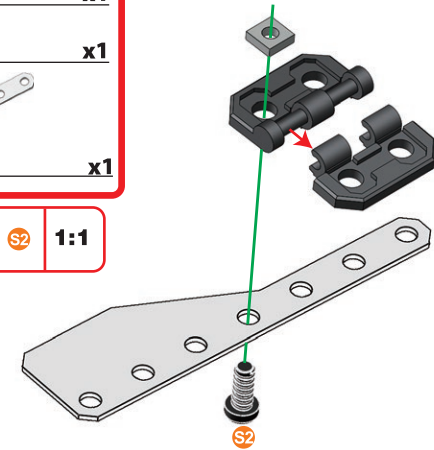
- 1**
- | 9,5 mm | 3/8" | x2
 - | x2
 - | x2
 - | x2
 - | x1
- | S2 | 1:1



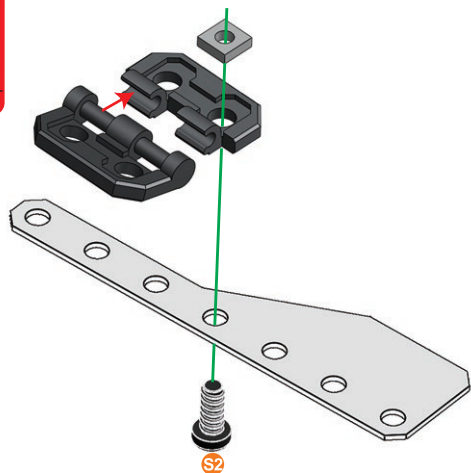
- 2**
- | 12 mm | 1/2" | x2
 - | x2
 - | x2
 - | x2
- | S3 | 1:1



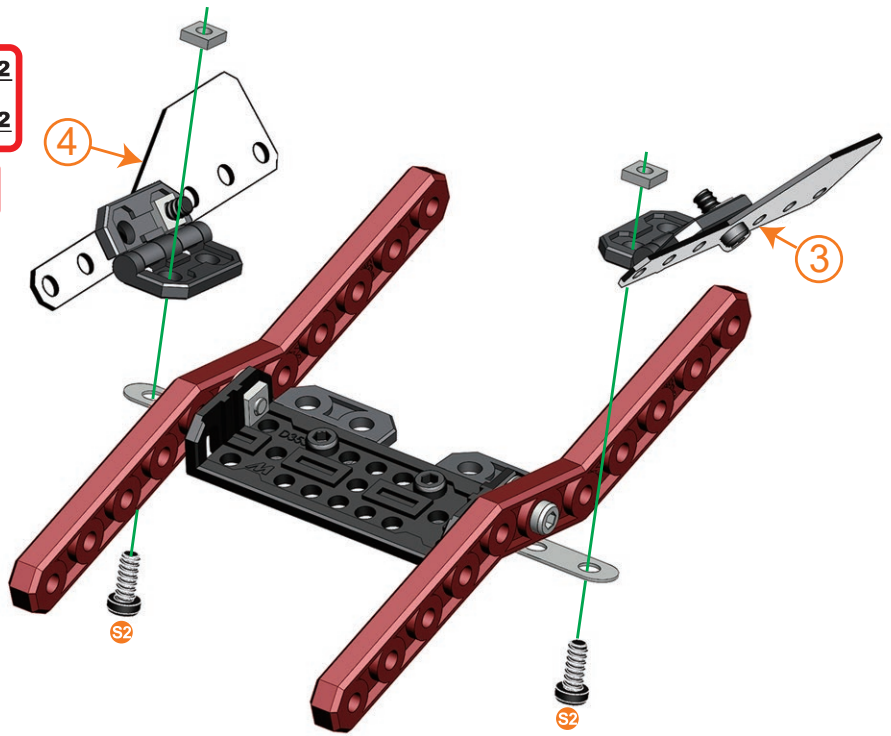
- 3**
- | 9,5 mm | 3/8" | x1
 - | x1
 - | x1
 - | x1
 - | x1
- | S2 | 1:1



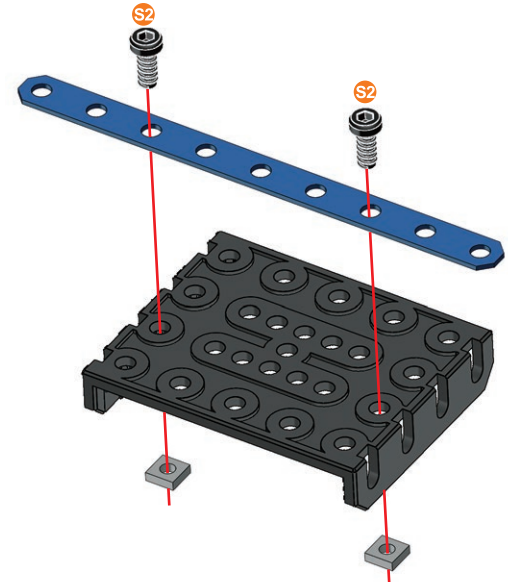
- 4**
- S2 | 9,5 mm | 3/8" | x1
 - x1
 - x1
 - x1
 - x1
 - S2 | 1:1



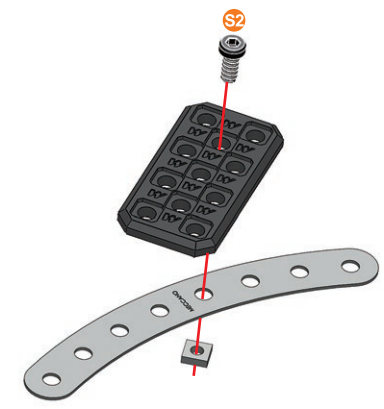
- 5** ③+④+
- S2 | 9,5 mm | 3/8" | x2
 - x2
 - S2 | 1:1




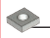
- 6**
- S2 | 9,5 mm | 3/8" | x2
 - x2
 - x1
 - x1
 - S2 | 1:1



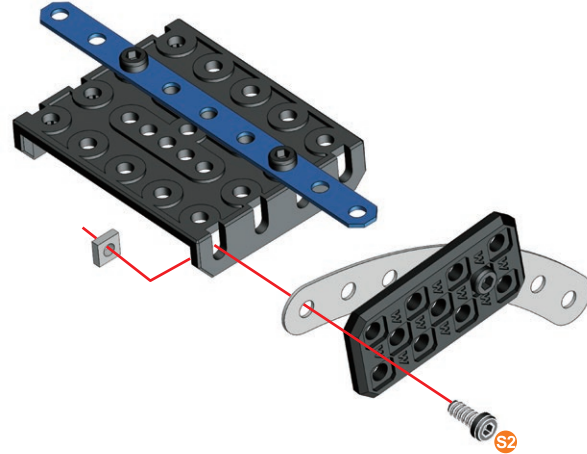
- 7**
- S2 | 9,5 mm | 3/8" | x1
 - x1
 - x1
 - x1
 - S2 | 1:1







8 ⑥+⑦+

	9.5 mm 3/8"	x1
		x1

	S2	1:1
---	----	-----




9

	9.5 mm 3/8"	x1
		x1
		x1
		x1

	S2	1:1
---	----	-----

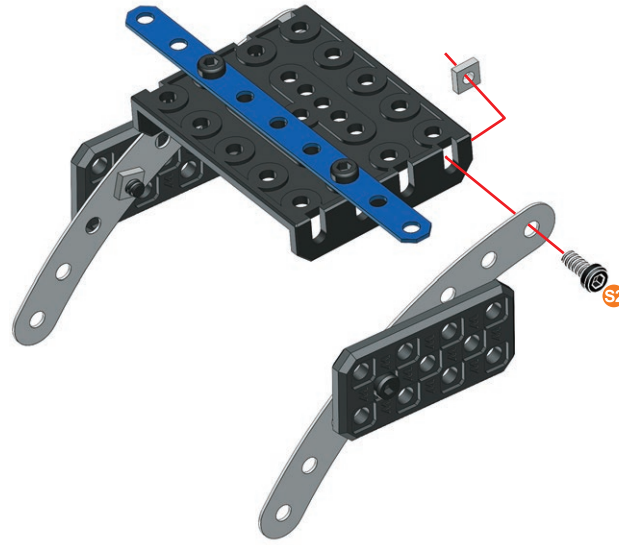


10 ⑧+⑨+







	9.5 mm 3/8"	x1
		x1



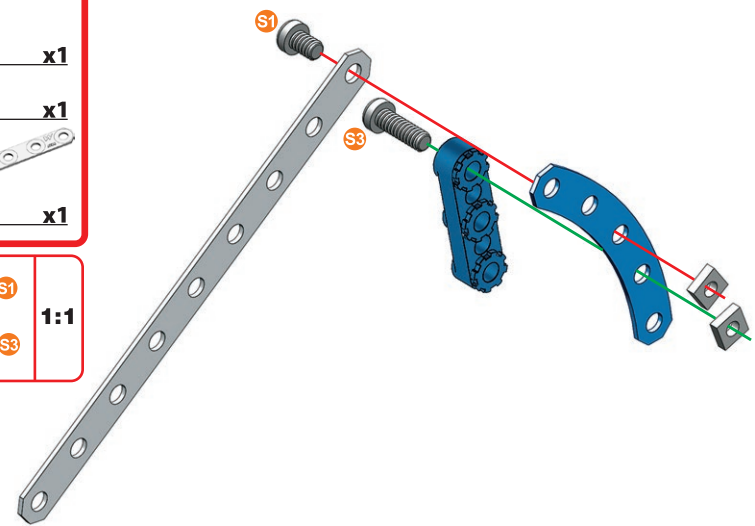
	S2	1:1
---	----	-----



11

	5.8 mm 15/64"	x1
	12 mm 1/2"	x1
		x2
		x1
		x1
		x1

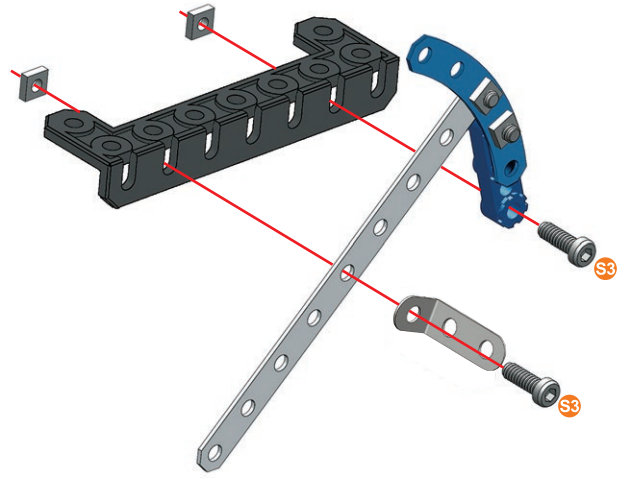
	S1	1:1
	S3	



12

- 12 mm | 1/2" | x2
- x2
- x1
- x1

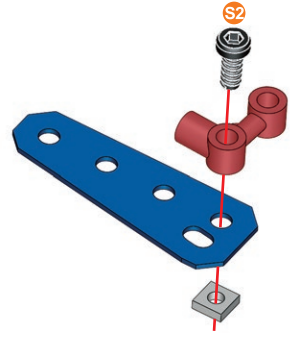
- 1:1



13

- 9.5 mm | 3/8" | x1
- x1
- x1
- x1

- 1:1

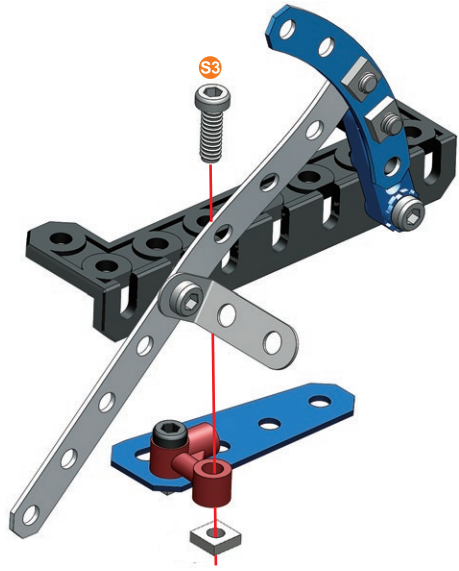


14

12+13+

- 12 mm | 1/2" | x1
- x1

- 1:1

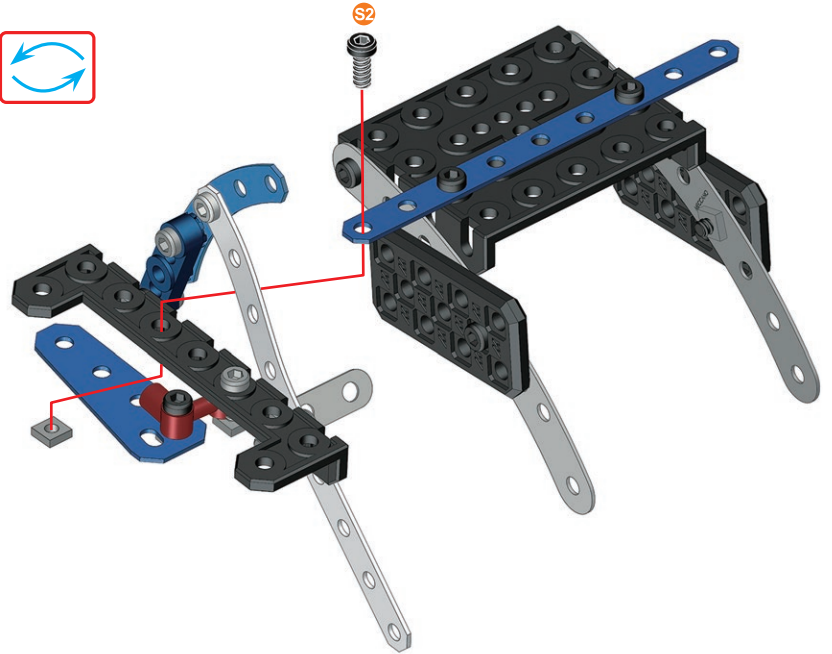


15







10+14+

- 9.5 mm | 3/8" | x1
- x1

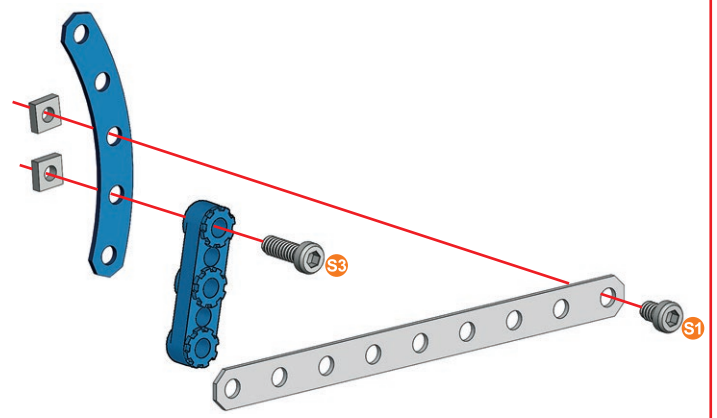
- 1:1







16

-  5.8 mm | 15/64" | **x1**
-  12 mm | 1/2" | **x1**
-  **x2**
-  **x1**
-  **x1**
-  **x1**

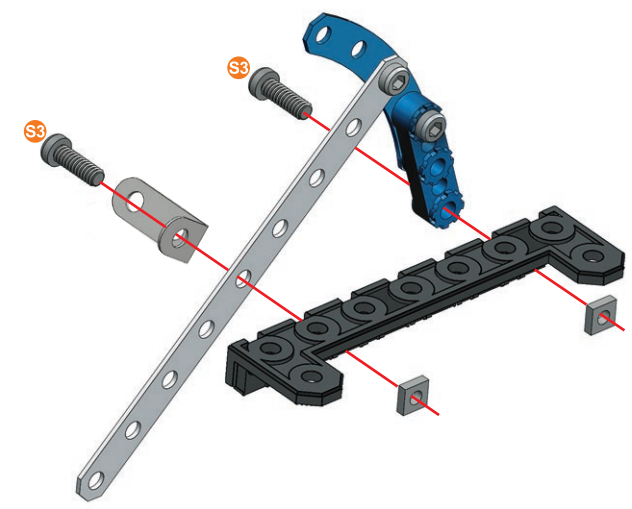
-  **1:1**
-  **1:1**







17

-  12 mm | 1/2" | **x2**
-  **x2**
-  **x1**
-  **x1**

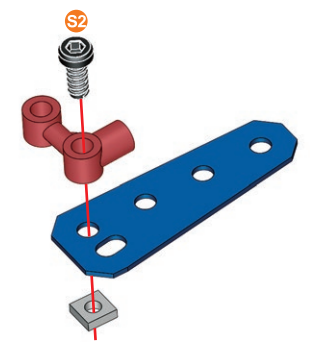
-  **1:1**



18



-  9.5 mm | 3/8" | **x1**
-  **x1**
-  **x1**
-  **x1**

-  **1:1**

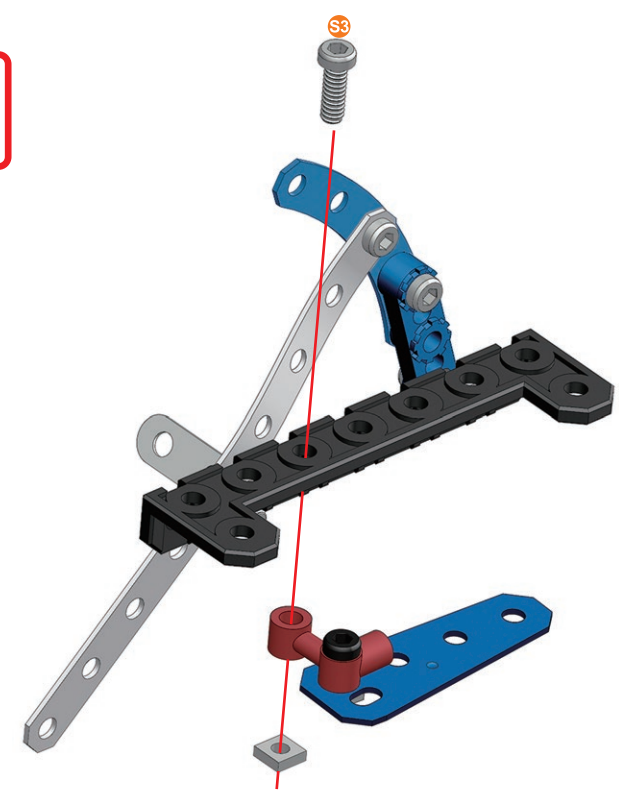


19



17+18+


-  12 mm | 1/2" | **x1**
-  **x1**

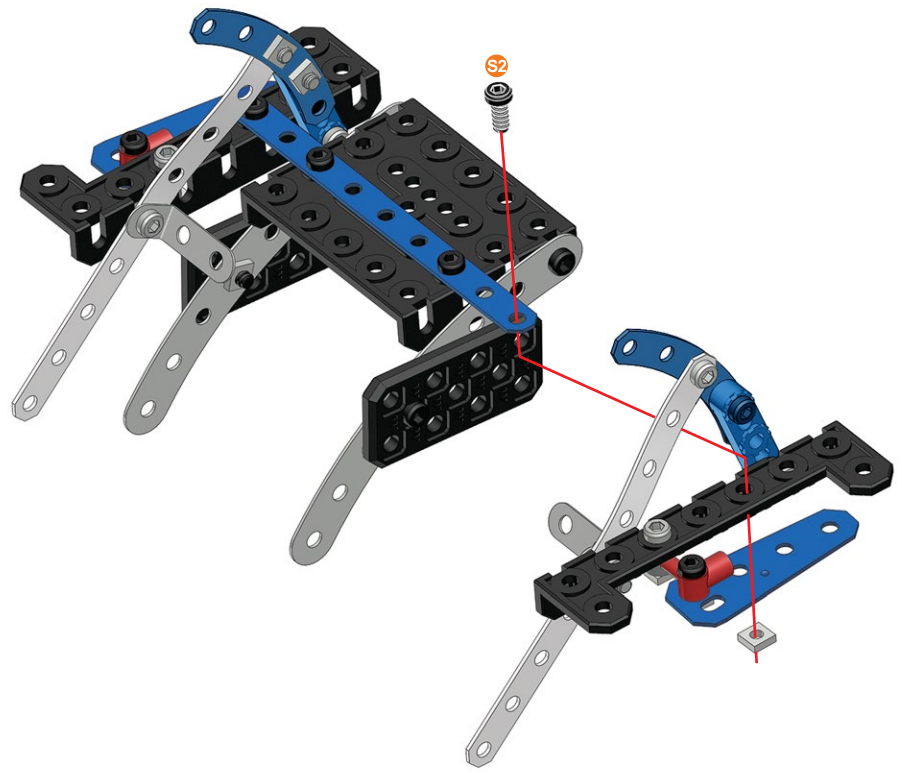
-  **1:1**





20 (15+19+)


	9.5 mm 3/8"	x1
		x1

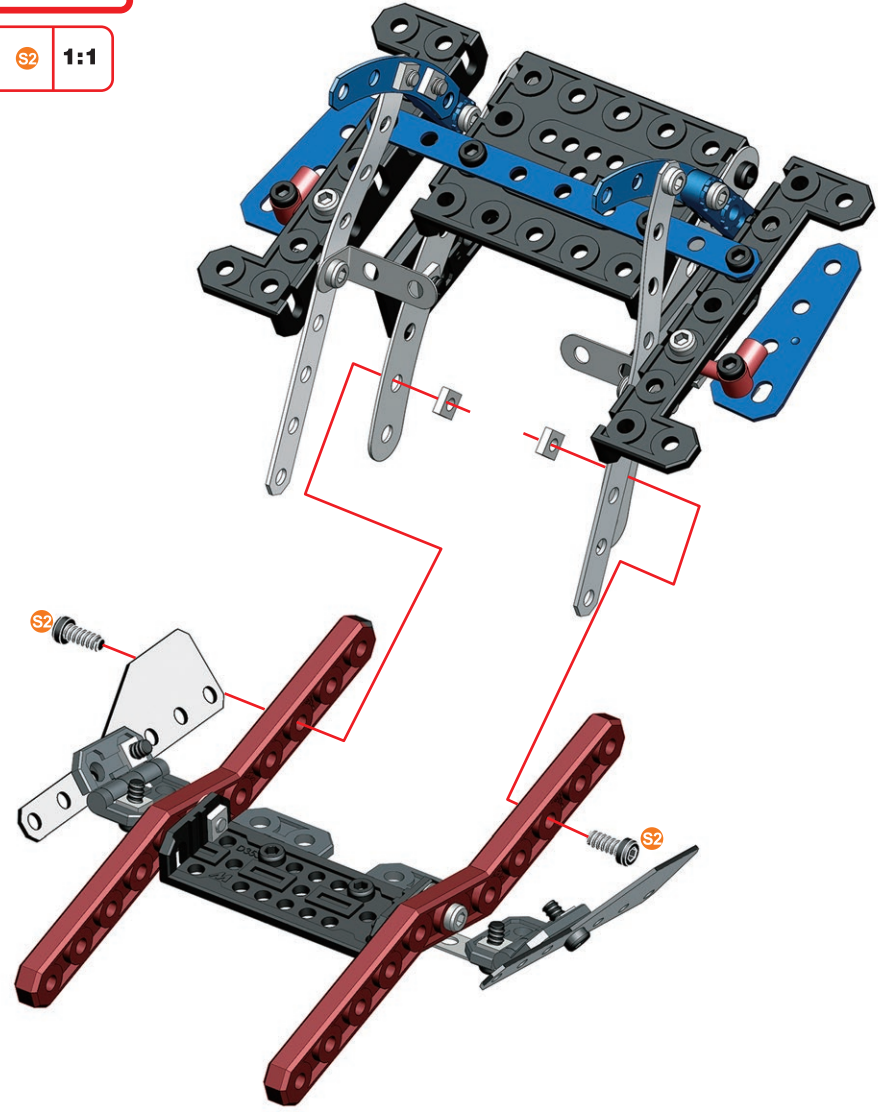
	1:1
---	-----






21 (5+20+)

	9.5 mm 3/8"	x2
		x2

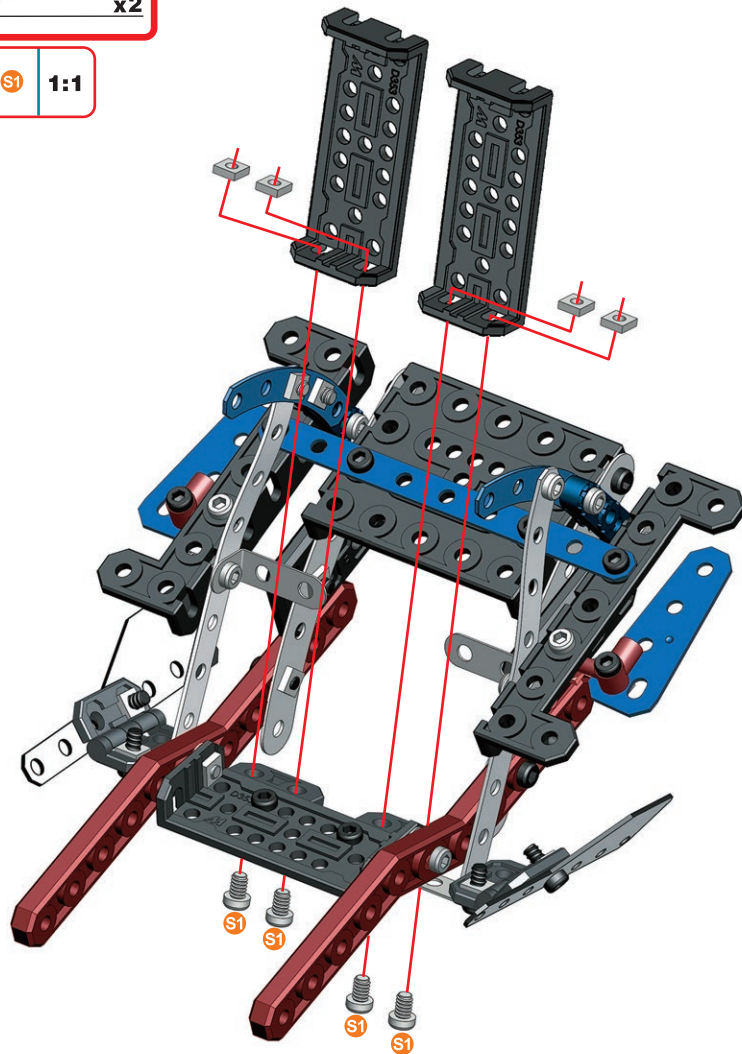
	1:1
---	-----





22

	S1	5.8 mm	x4
		15/64"	x4
			x2

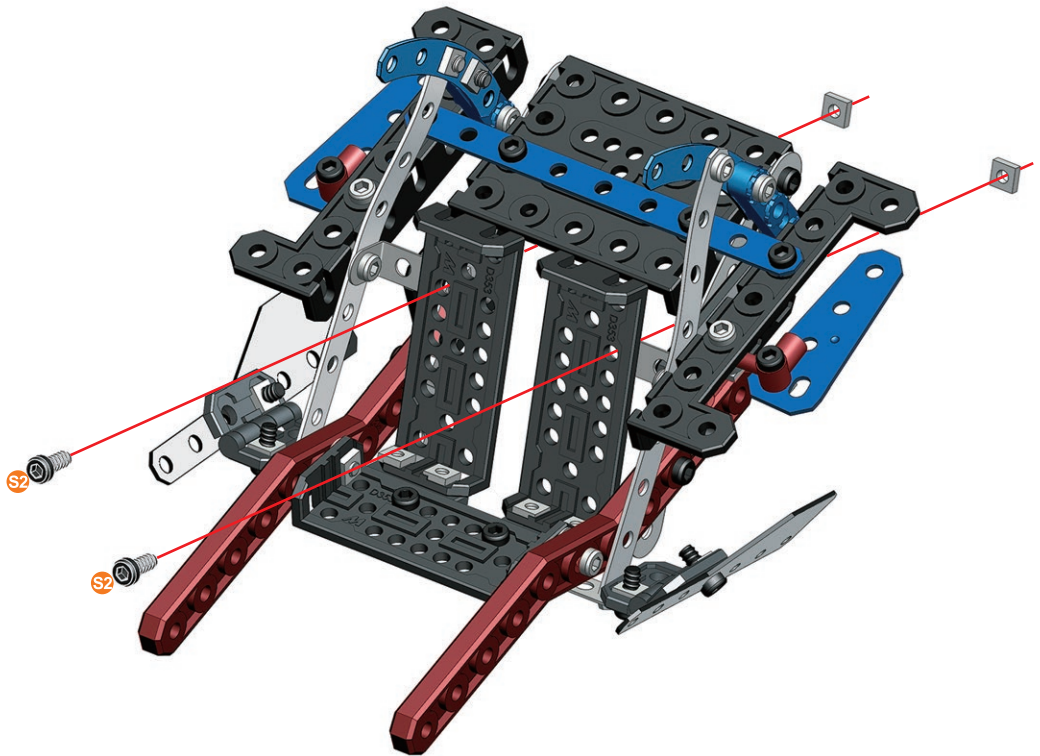
	S1	1:1
---	----	-----







23

	S2	9.5 mm	x2
		3/8"	x2

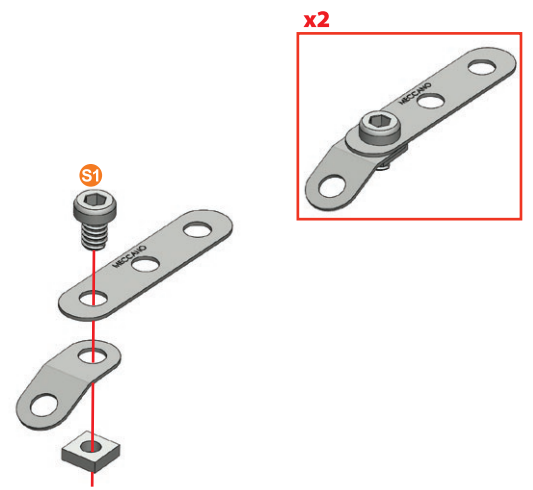
	S2	1:1
---	----	-----






24

-  | 5,8 mm | 15/64" | x2
-  | x2
-  | x2
-  | x2

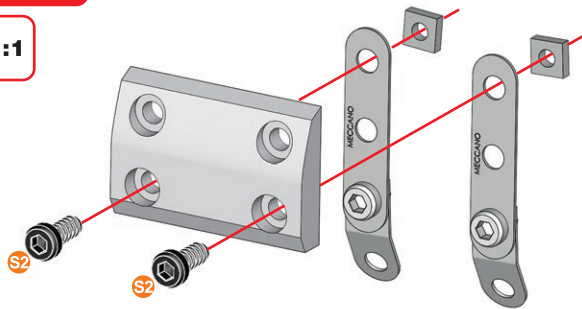
-  | 1:1






25

-  | 9,5 mm | 3/8" | x2
-  | x2
-  | x1

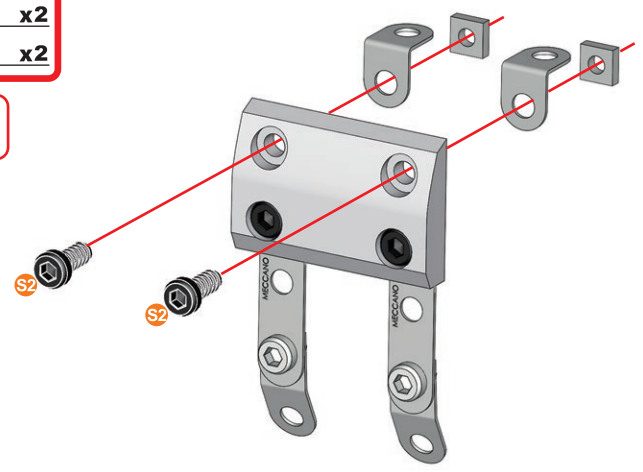
-  | 1:1






26

-  | 9,5 mm | 3/8" | x2
-  | x2
-  | x2

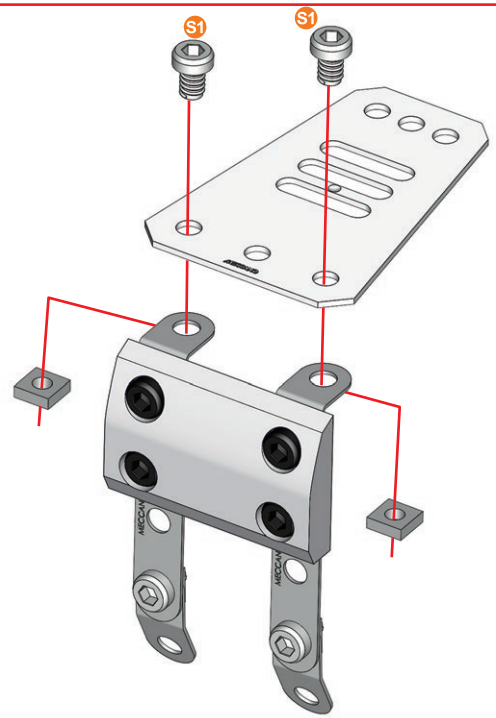
-  | 1:1



27

-  | 5,8 mm | 15/64" | x2
-  | x2
-  | x1

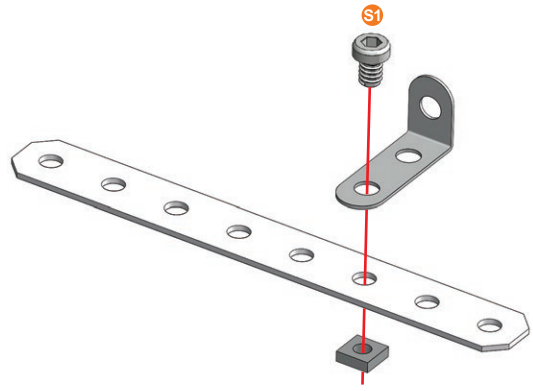
-  | 1:1



28

- 5.8 mm | 15/64" | x1
- x1
- x1
- x1

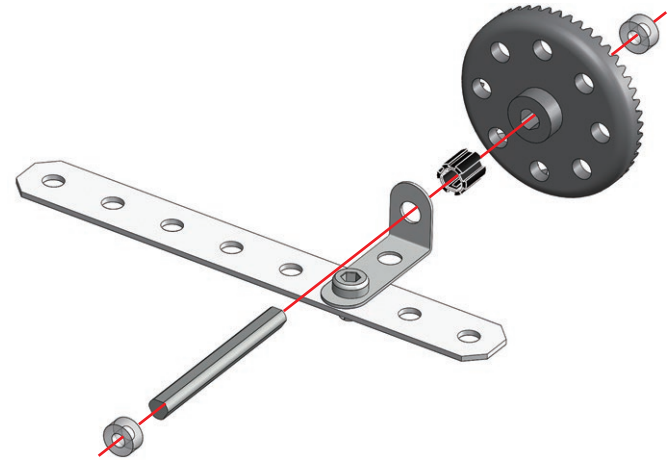
- S1 | 1:1



29

- x1
- x2
- x1
- 40 mm | 1 9/16" | x1

- 1:1

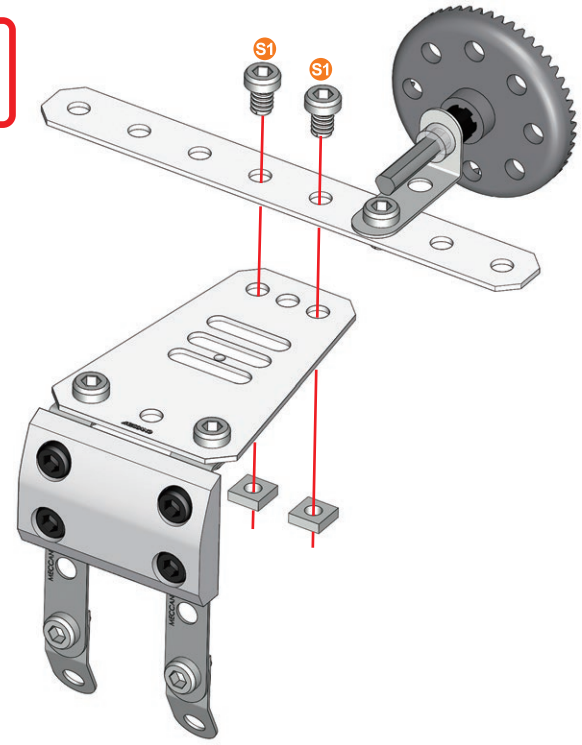


30

27+29+

- 5.8 mm | 15/64" | x2
- x2

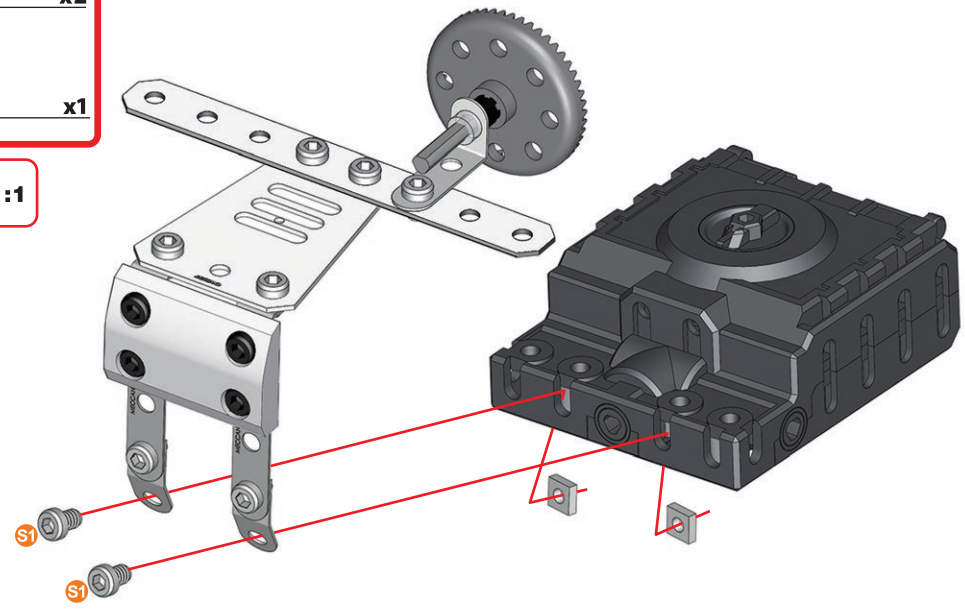
- S1 | 1:1




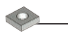


31

- 5.8 mm | 15/64" | x2
- x2
- x1

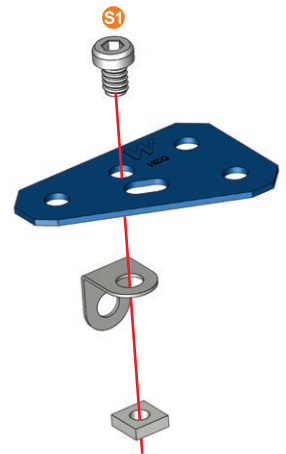
- S1 | 1:1






32

	5.8 mm 15/64"	x1
		x1
		x1
		x1

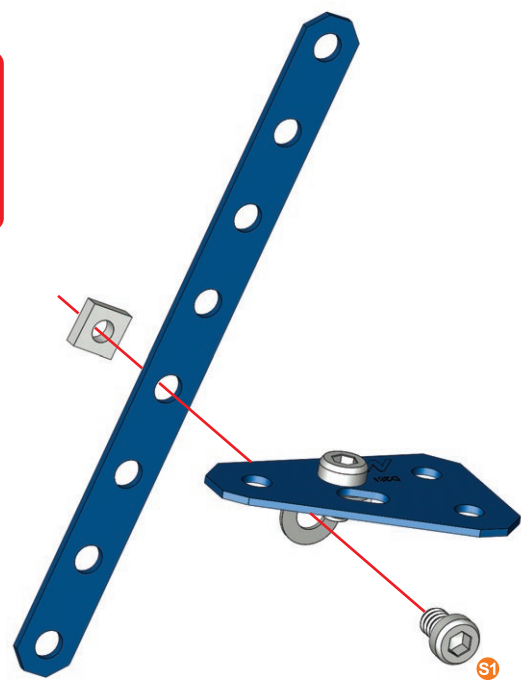
	S1	1:1
---	----	-----



33




	5.8 mm 15/64"	x1
		x1
		x1

	S1	1:1
---	----	-----

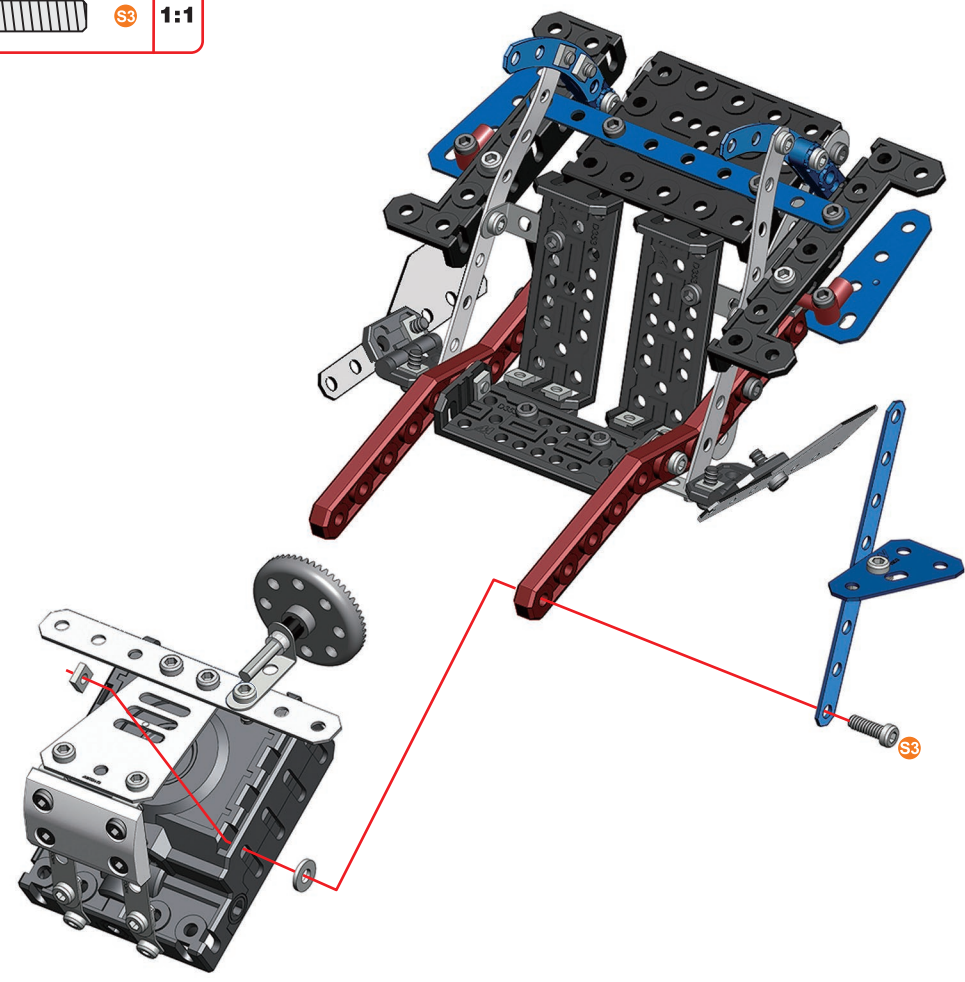


34





23+31+33+

	12 mm 1/2"	x1
		x1
		x1

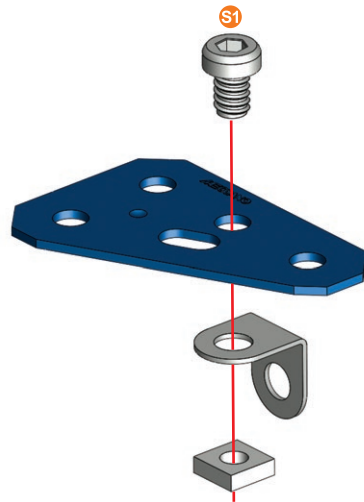
	S3	1:1
---	----	-----





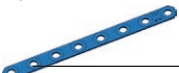
35

	5.8 mm 15/64"	x1
		x1
		x1
		x1

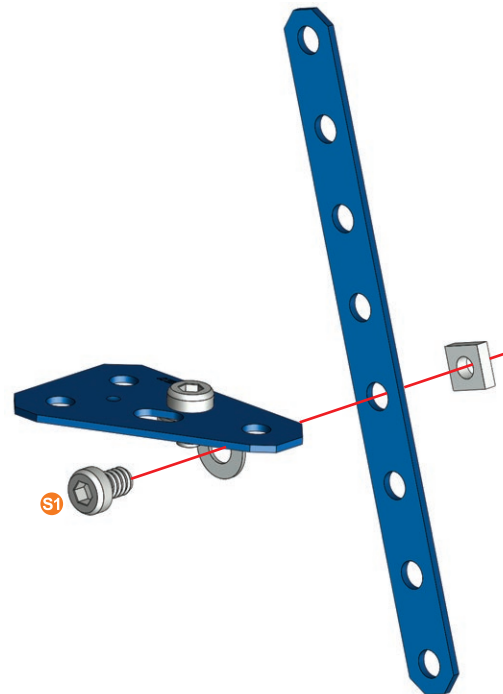
	S1	1:1
---	----	-----



36




	5.8 mm 15/64"	x1
		x1
		x1

	S1	1:1
---	----	-----

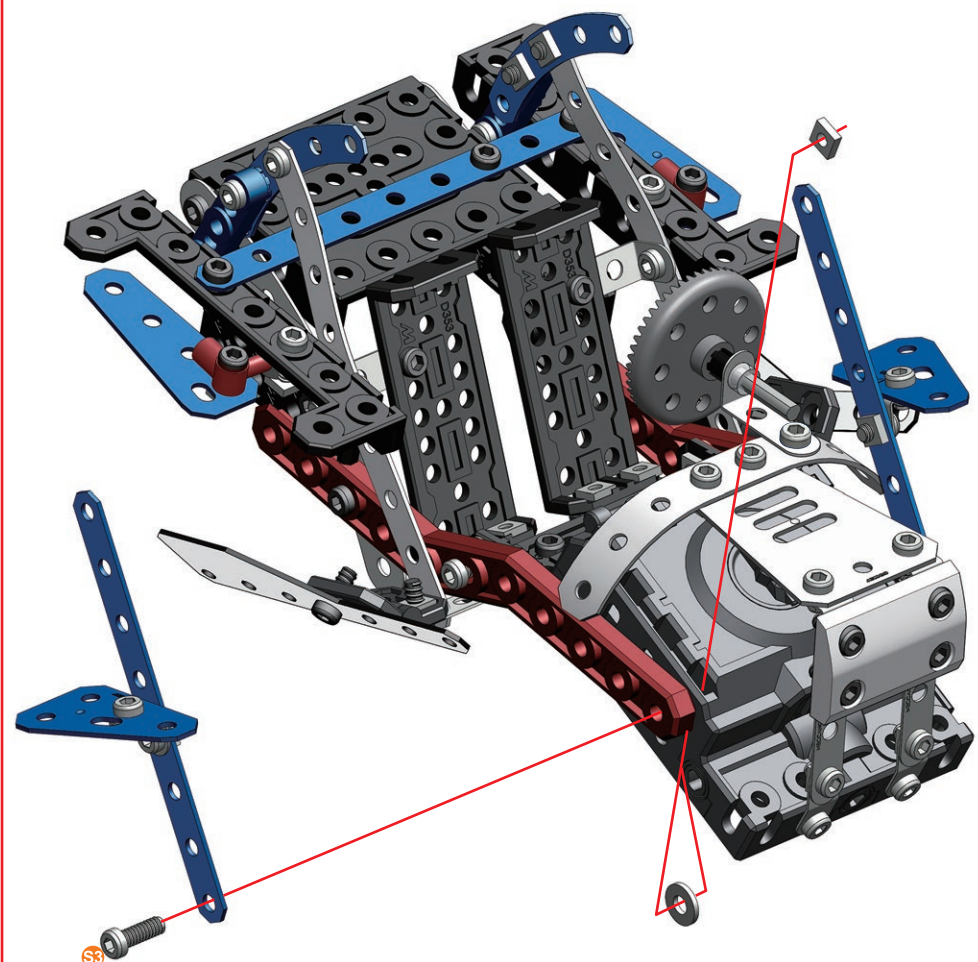


37




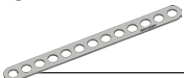
34+36+

	12 mm 1/2"	x1
		x1
		x1

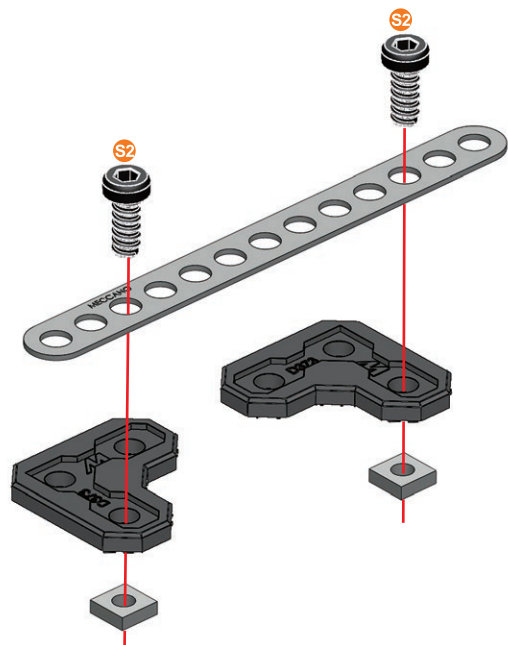
	S3	1:1
---	----	-----





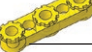

38

	9.5 mm 3/8"	x2
		x2
		x2
		x1

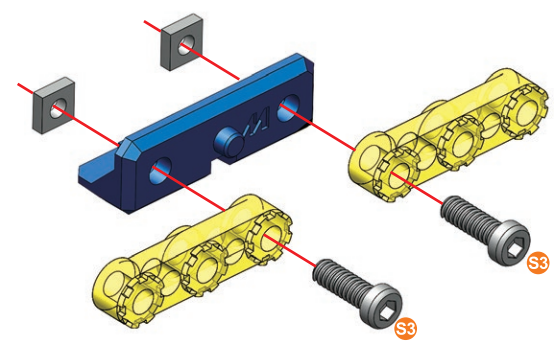
	1:1
---	-----



39



	12 mm 1/2"	x2
		x2
		x2
		x1

	1:1
---	-----

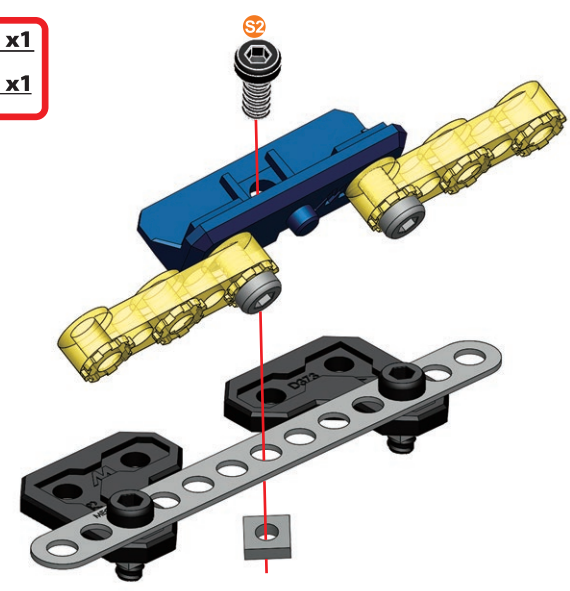


40





(38)+(39)+

	9.5 mm 3/8"	x1
		x1

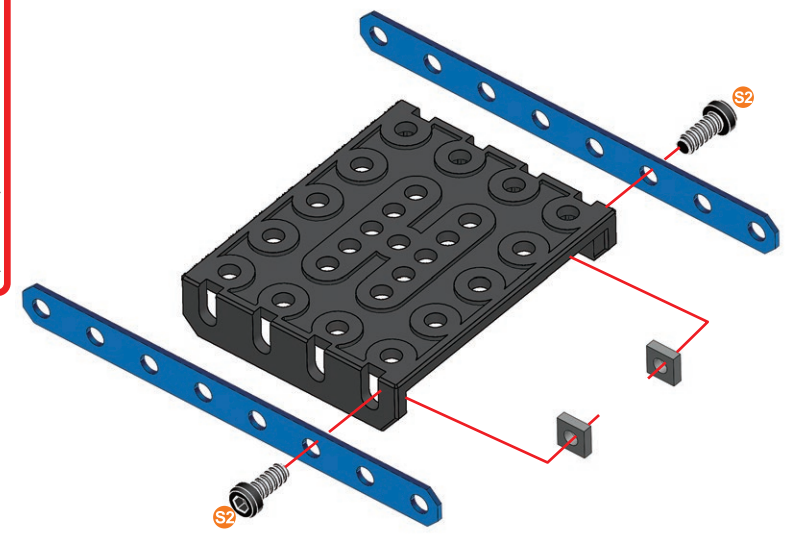
	1:1
---	-----





41

	9.5 mm 3/8"	x2
		x2
		x1
		x1

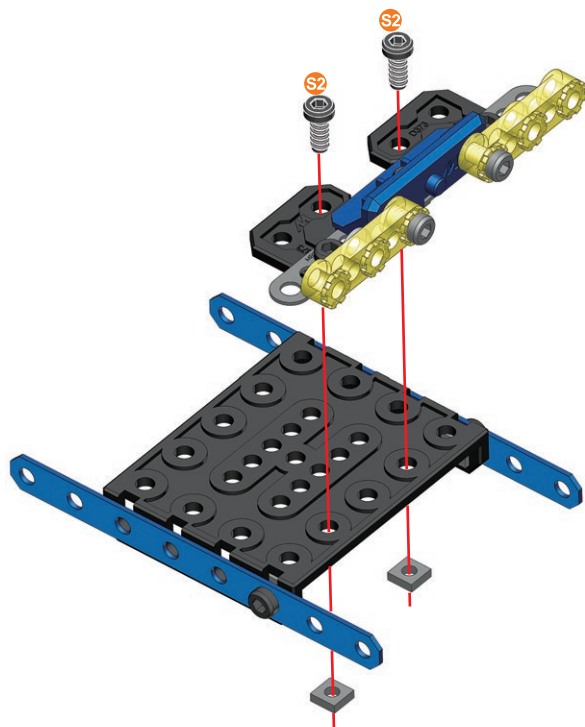
	1:1
---	-----



42 ④⑩+④①+

 **S2** | 9,5 mm | **x2**
3/8"
 **x2**

 **S2** | **1:1**

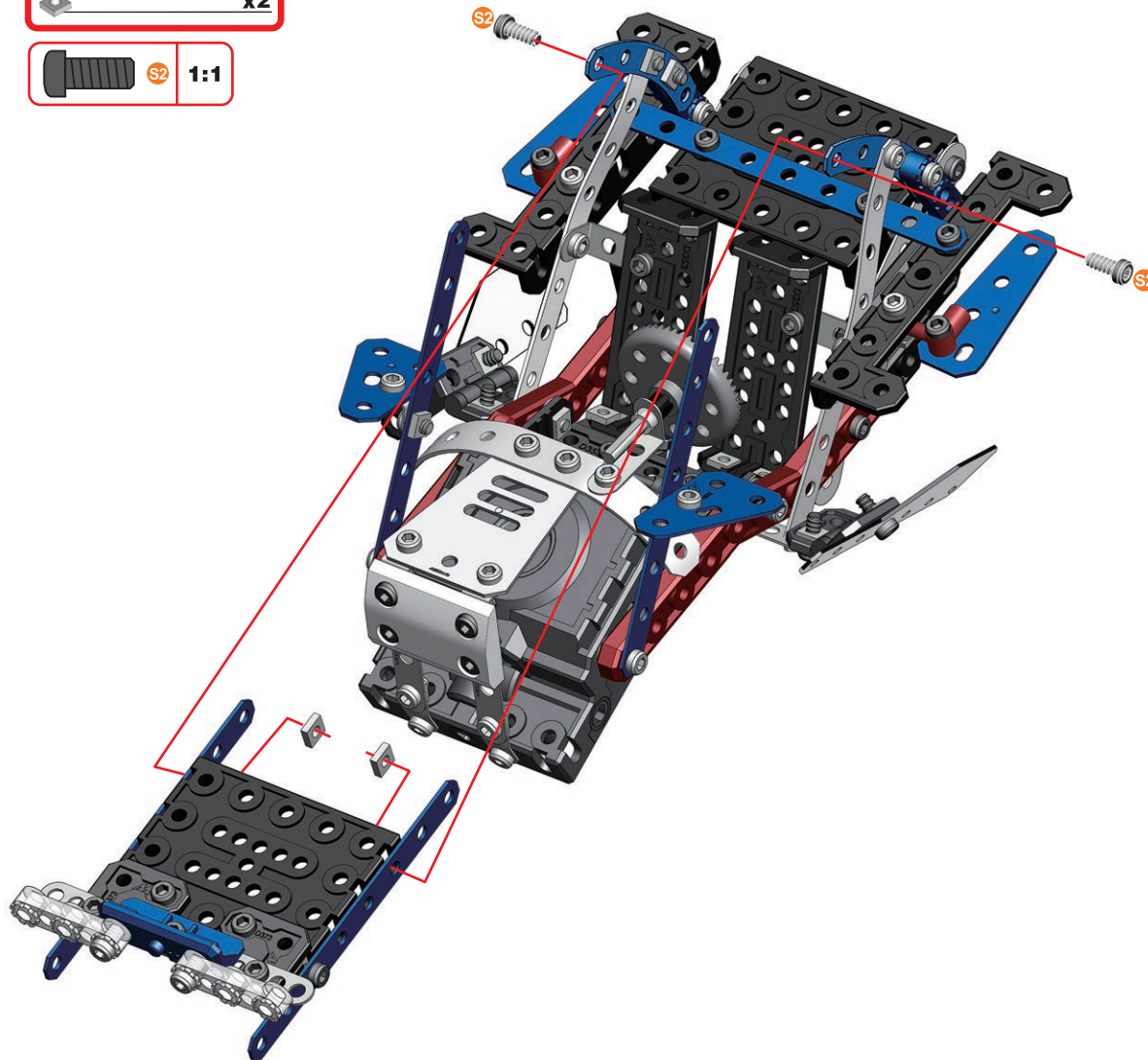


43 ③⑦+④②+

 **S2** | 9,5 mm | **x2**
3/8"
 **x2**

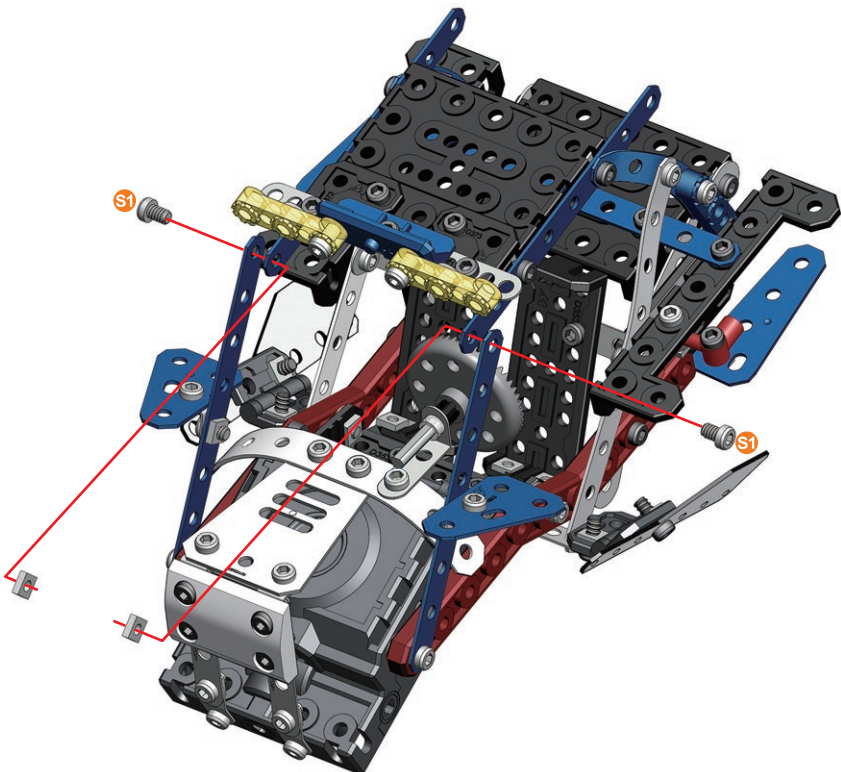


 **S2** | **1:1**



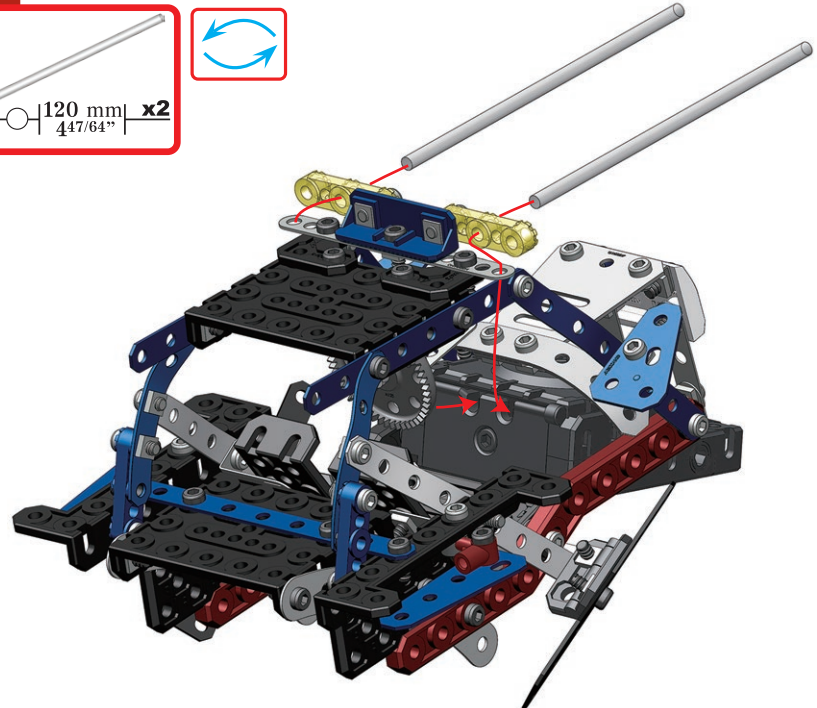
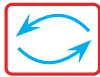
44

- 5.8 mm | 15/64" | x2
- x2



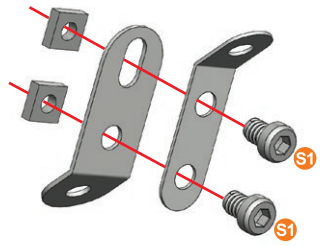
45

- 120 mm | 4 47/64" | x2






46

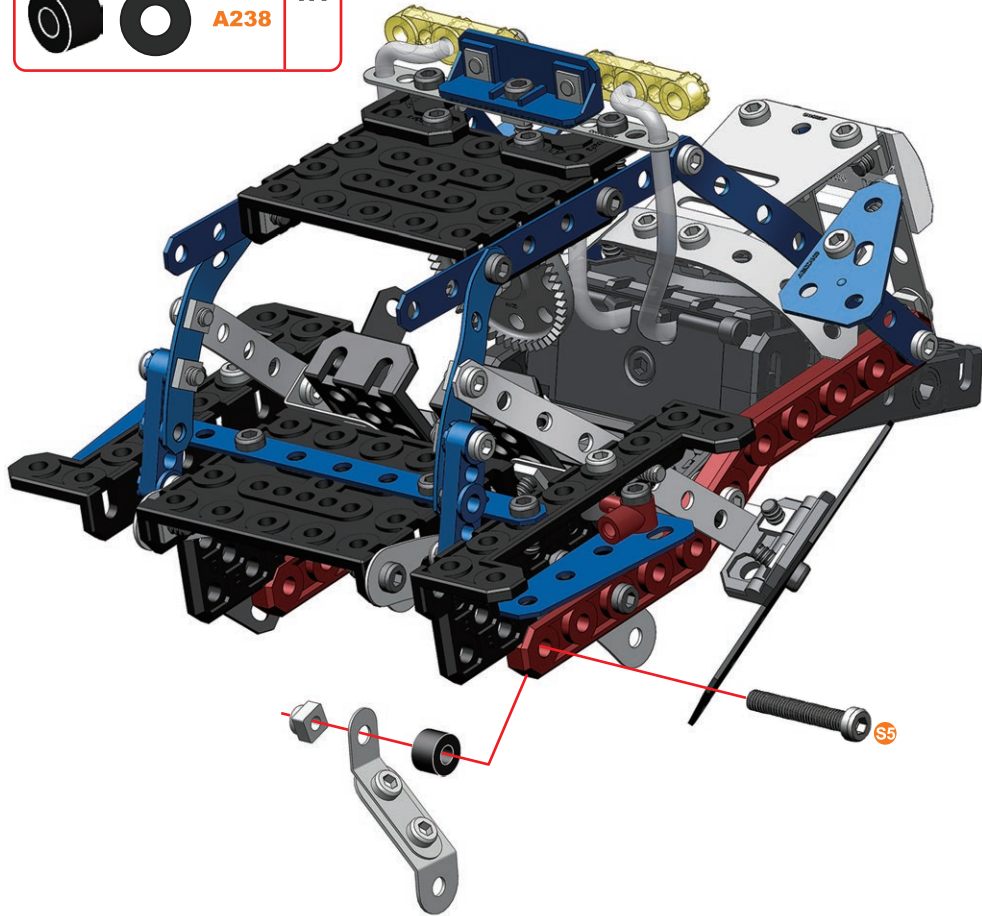
- 5.8 mm | 15/64" | x4
- x4
- x2
- x2






47 (45)+(46)+

-  S5 | 25.4 mm | x1
1"
-  x1
-  x1

-  S5
-   A238 1:1

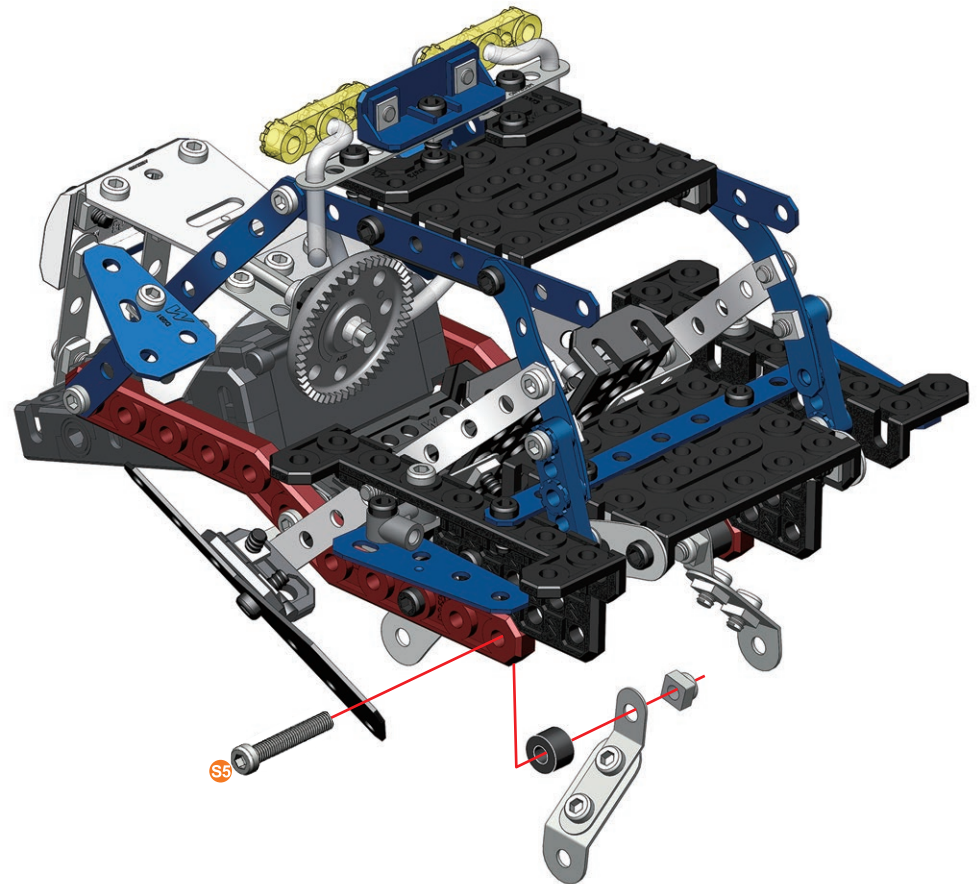


48 (46)+(47)+

-  S5 | 25.4 mm | x1
1"
-  x1
-  x1



-  S5
-   A238 1:1



49



x2

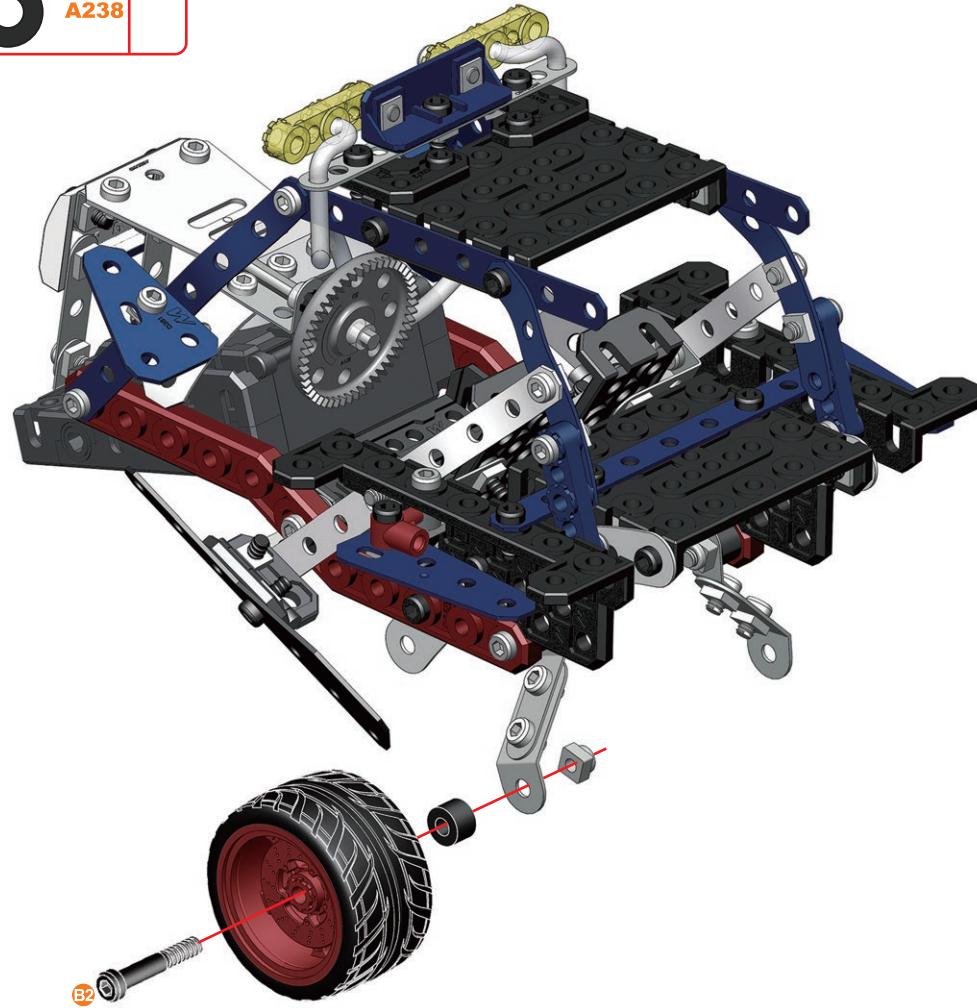
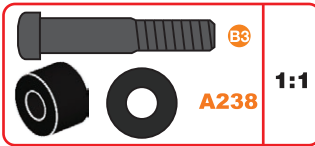


x2






50

48+49+

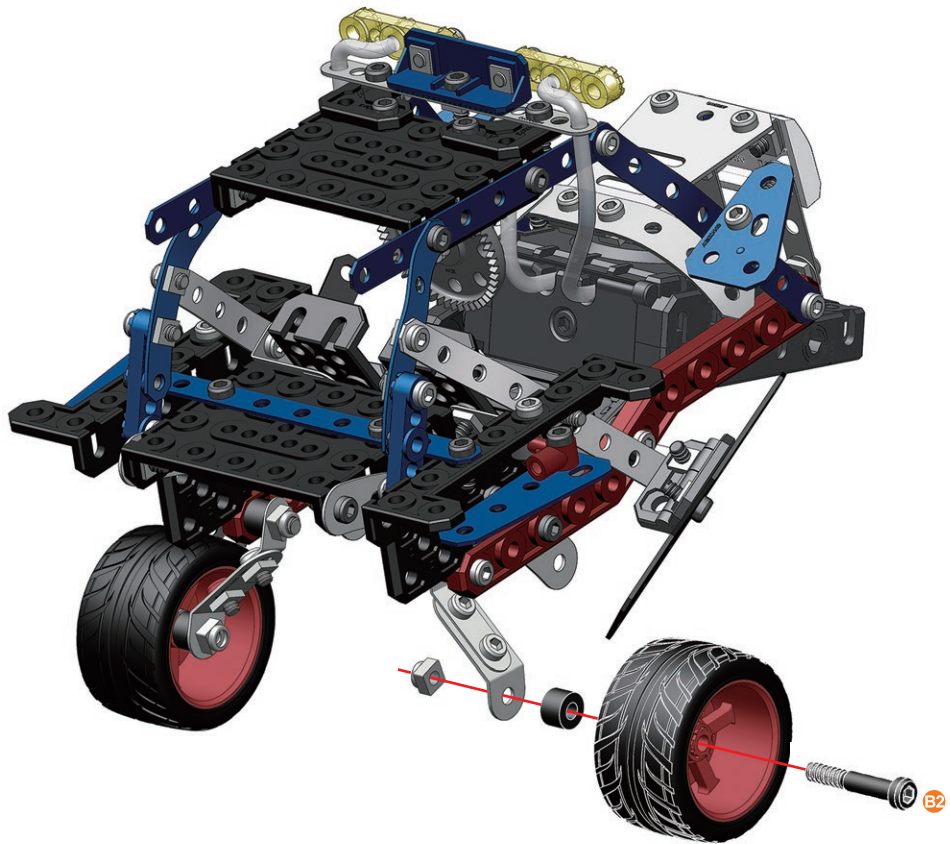


51 (49)+(50)+

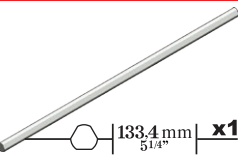
-  23 mm | $\frac{15}{16}$ " | **x1**
-  **x1**
-  **x1**

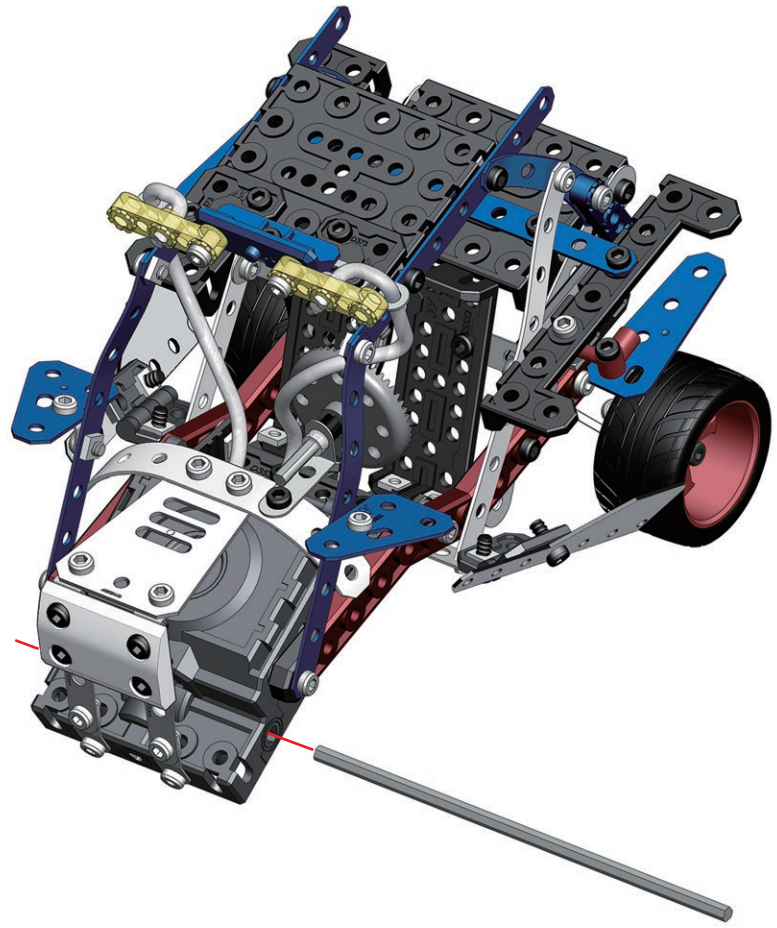


-  **x1**
-  **A238**
- 1:1**







52 (49)+(51)+

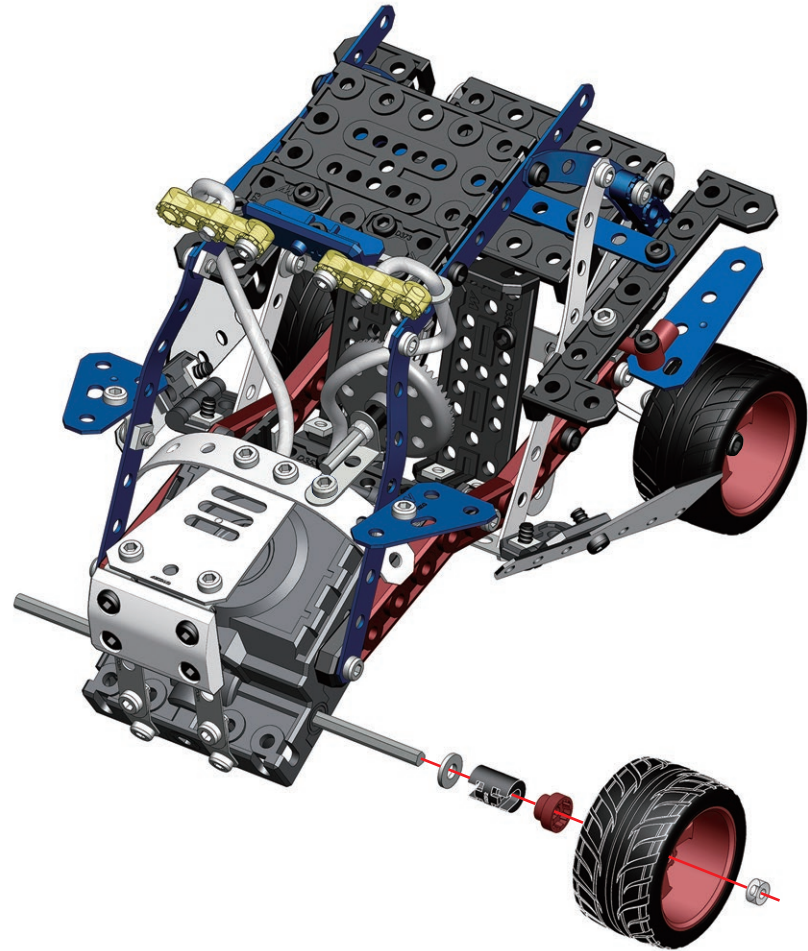
-  133.4 mm | $5\frac{1}{4}$ " | **x1**



53





49+52+

	x1
	x1
	x1
	x1



54

49+53+

	x1
	x1
	x1
	x1

