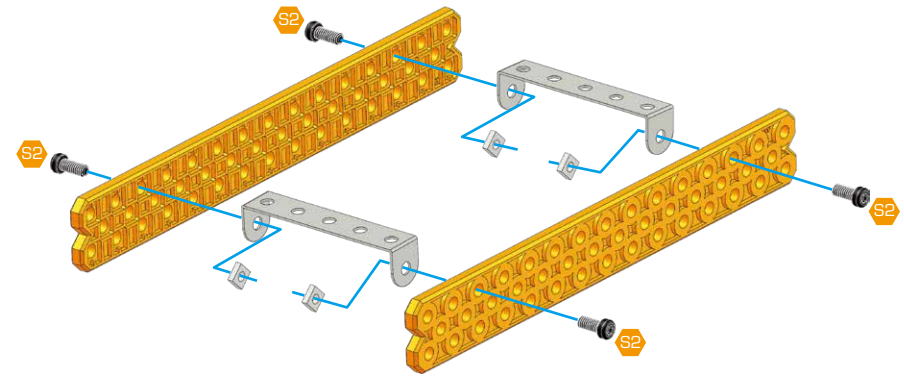
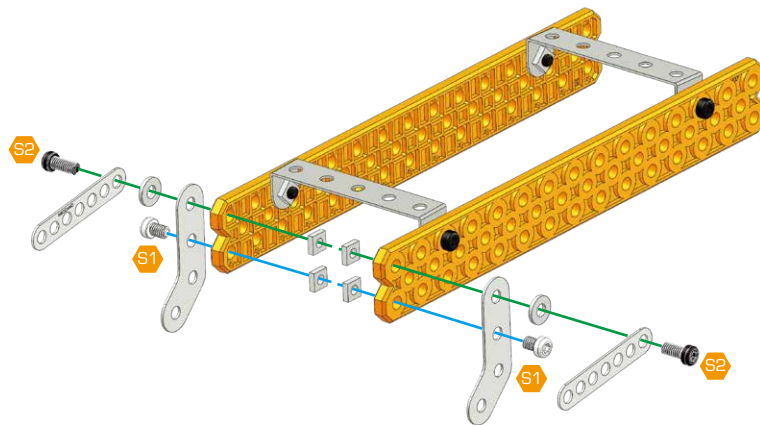


- 1**
- x 4
  - x 4
  - x 2
  - x 2
- 9.5 mm



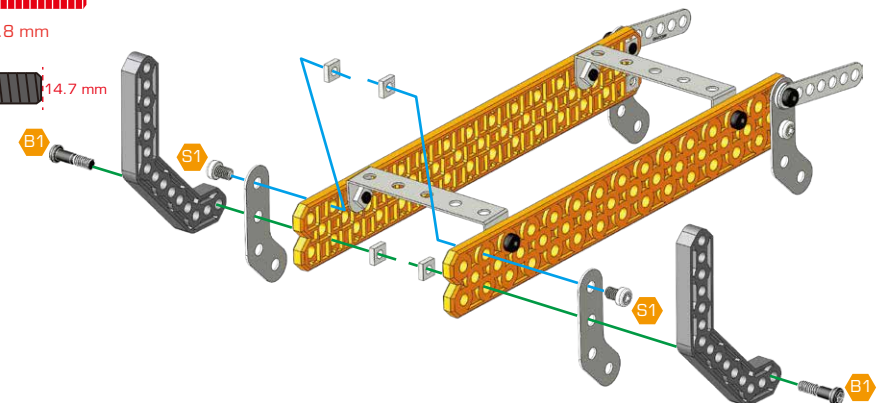
- 2**
- x 2
  - x 2
  - x 4
  - x 2
  - x 2
  - x 2

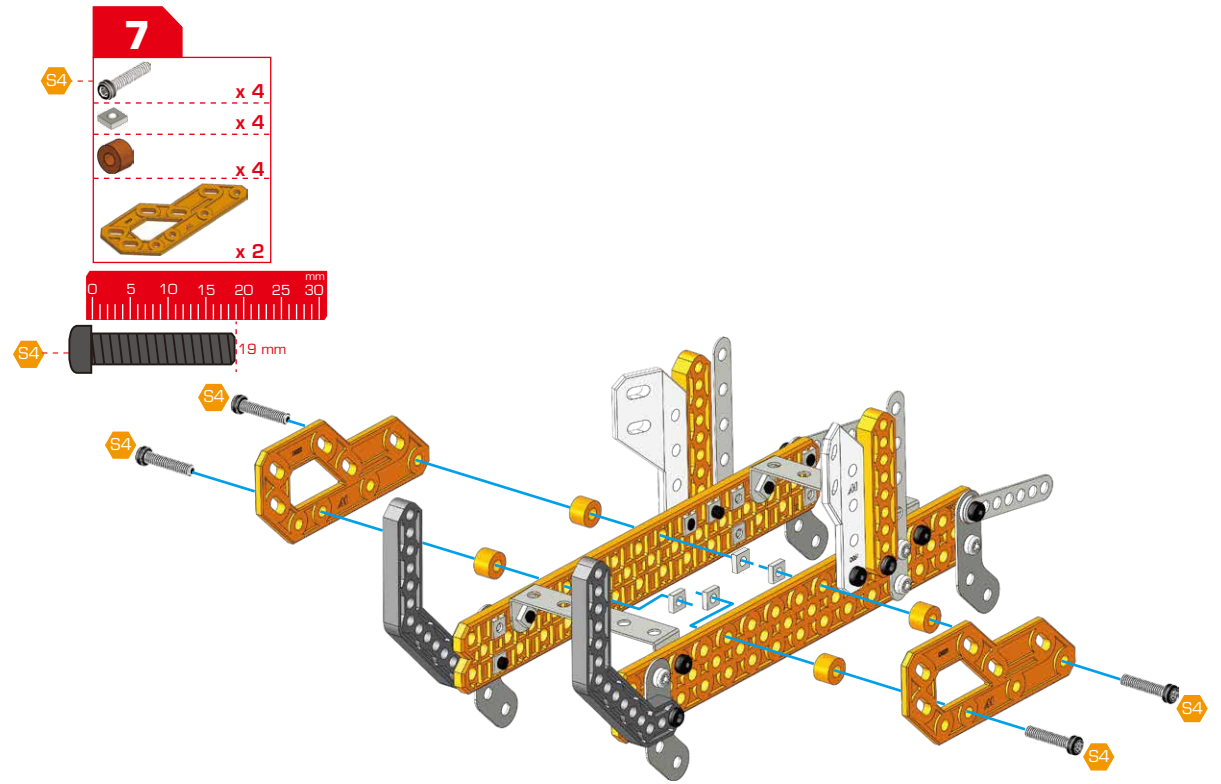
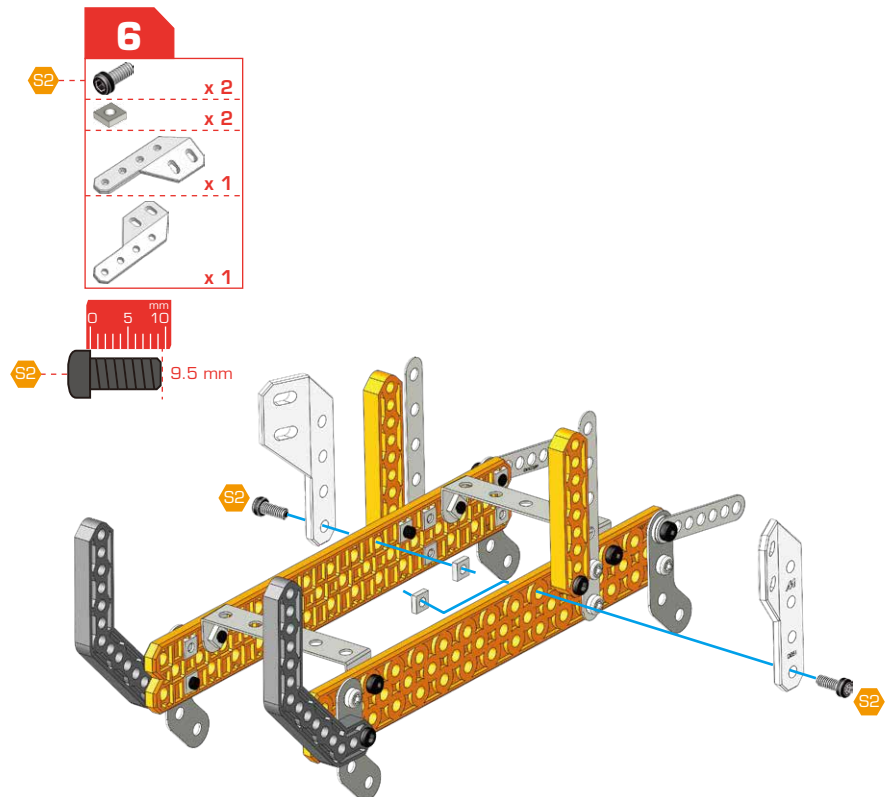
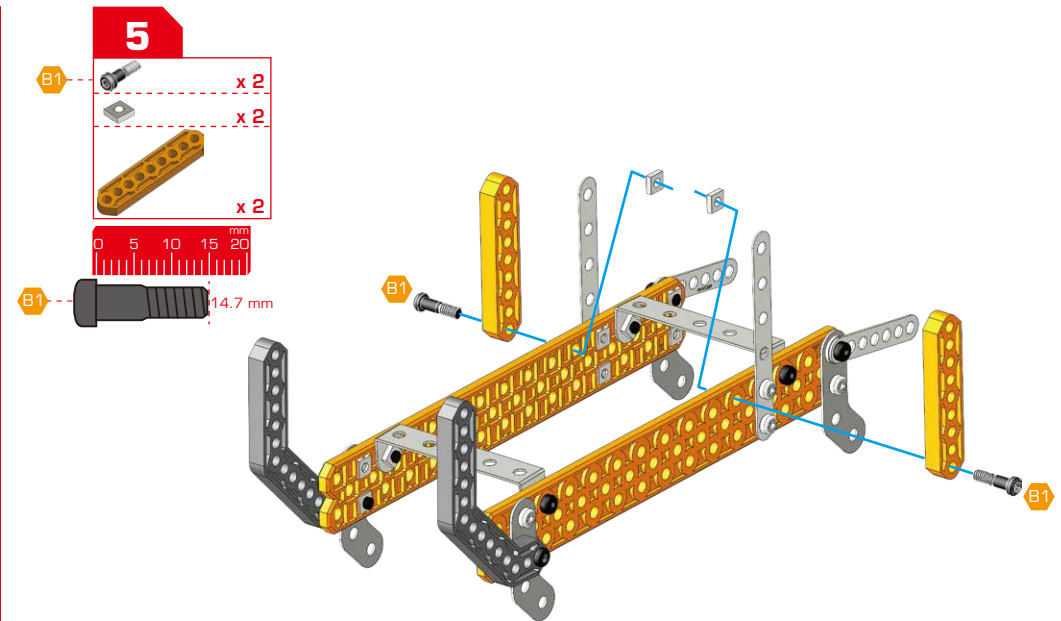
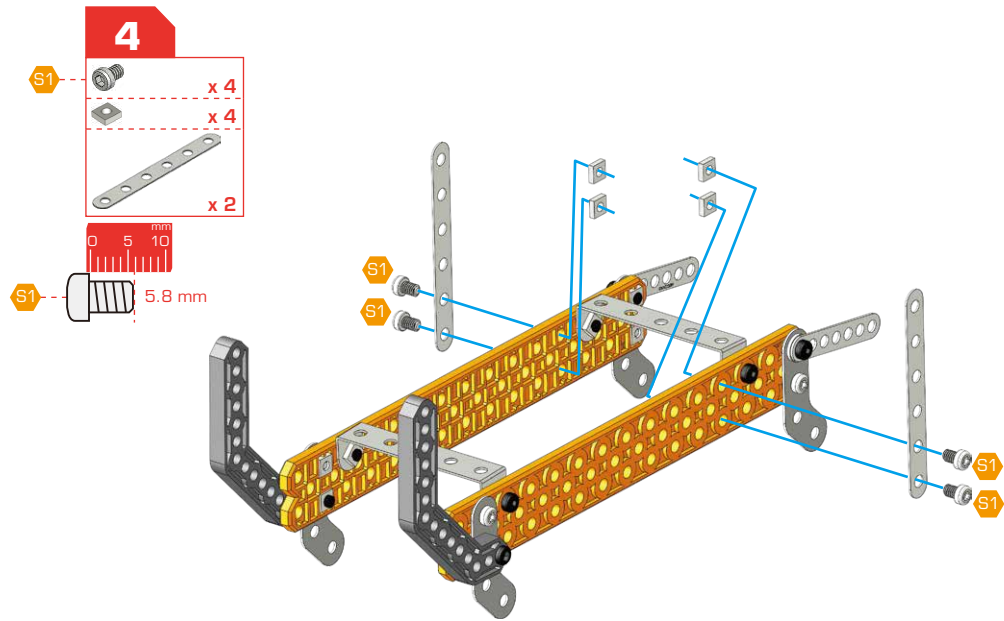
- 5.8 mm
- 9.5 mm

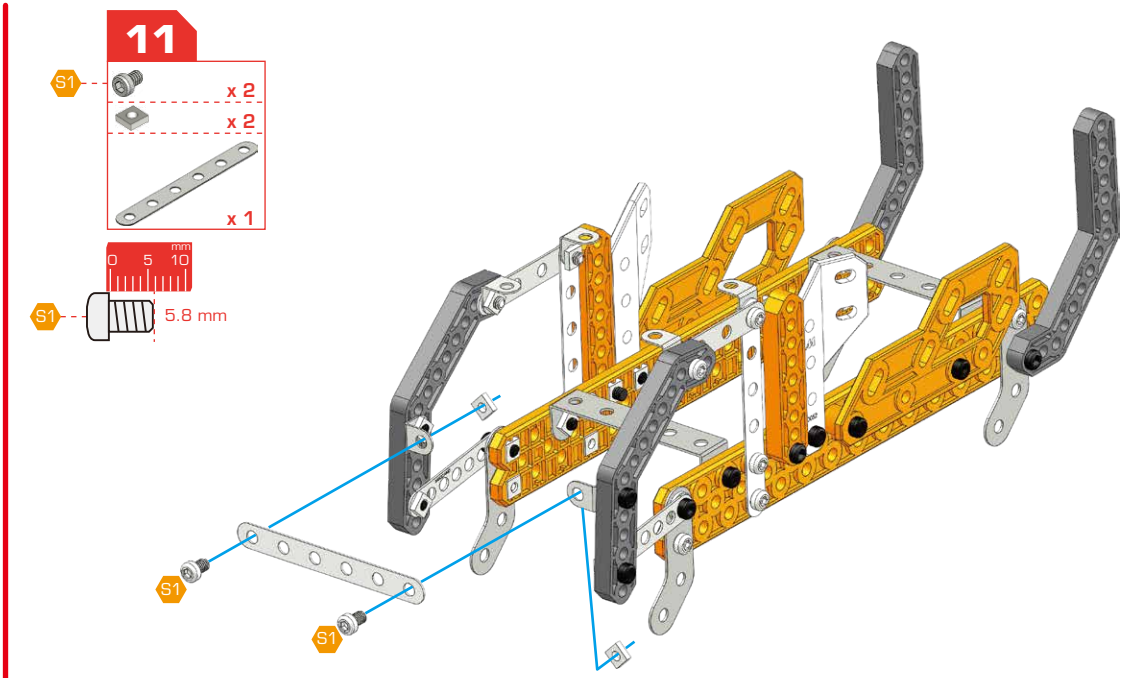
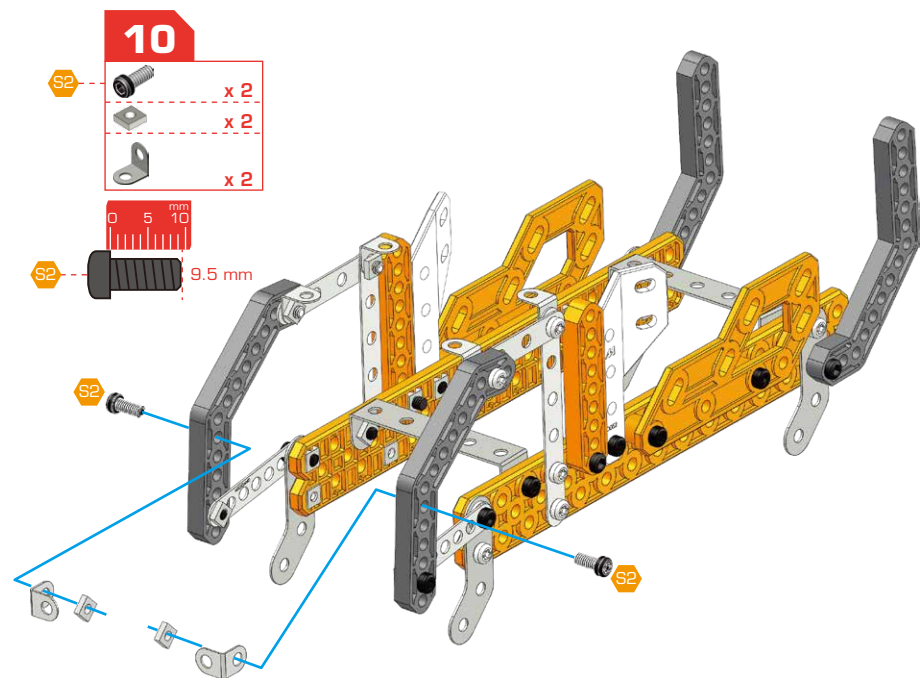
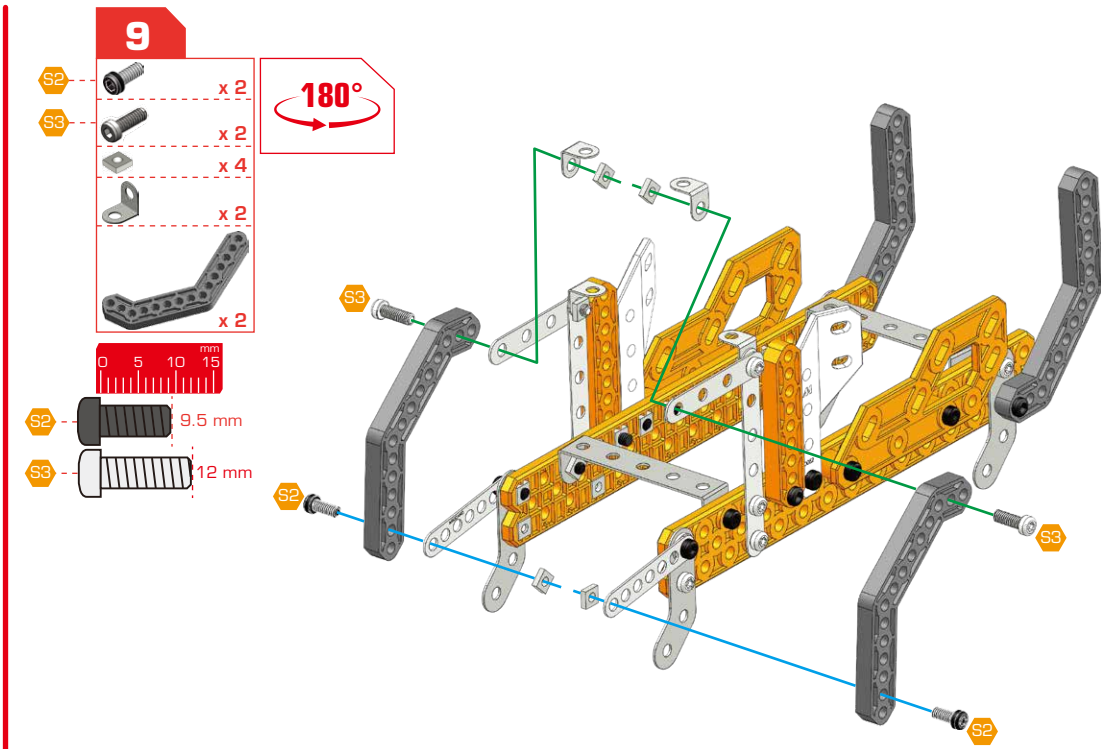
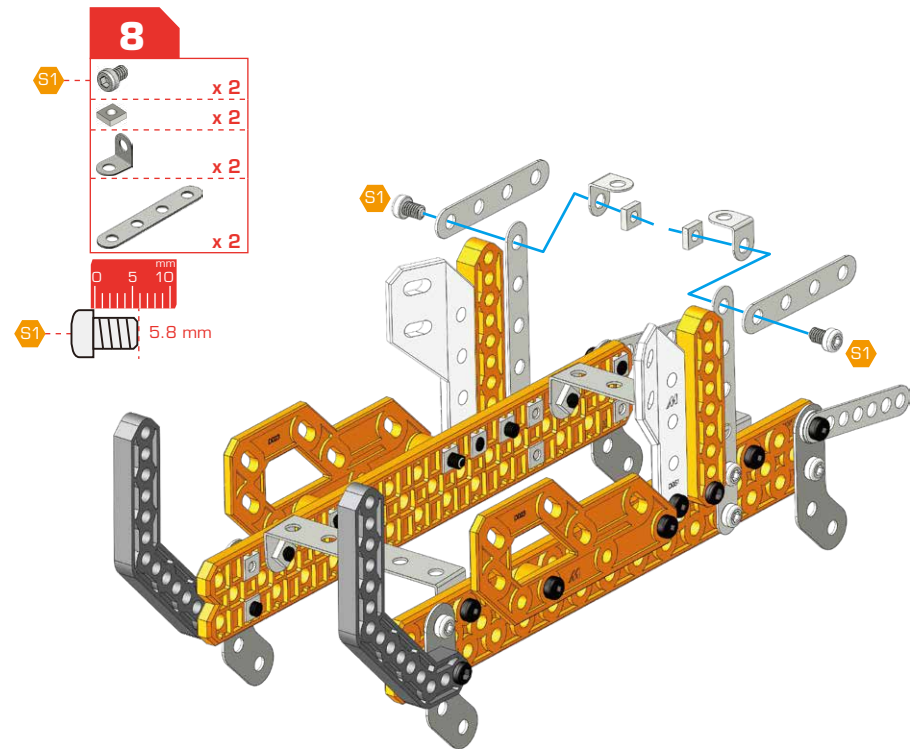


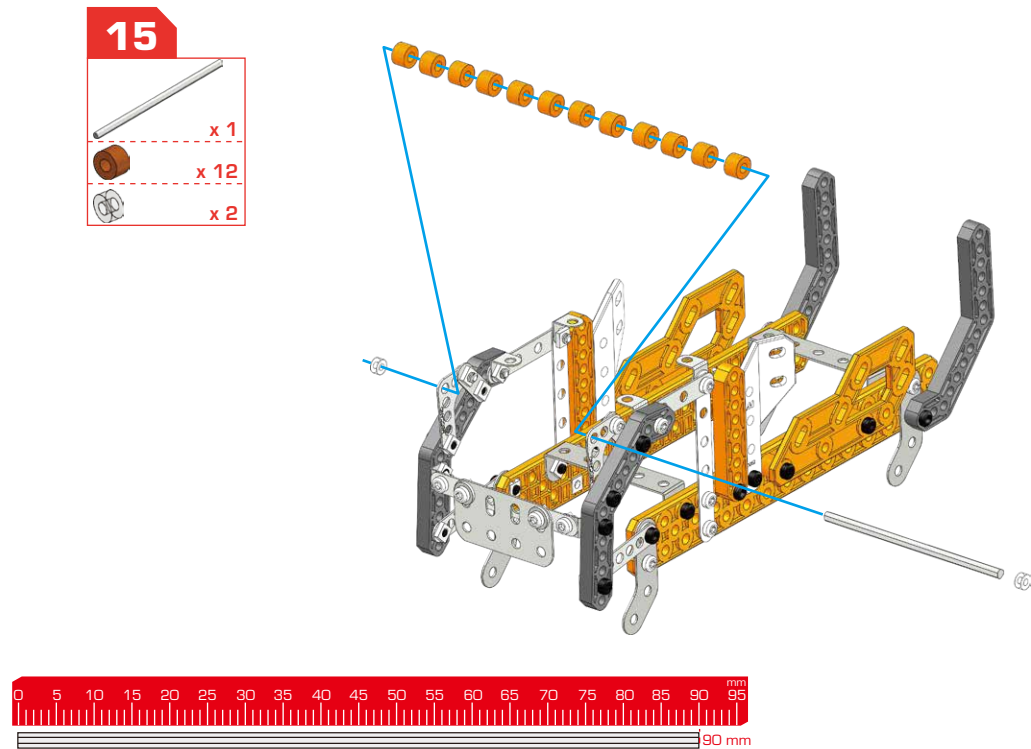
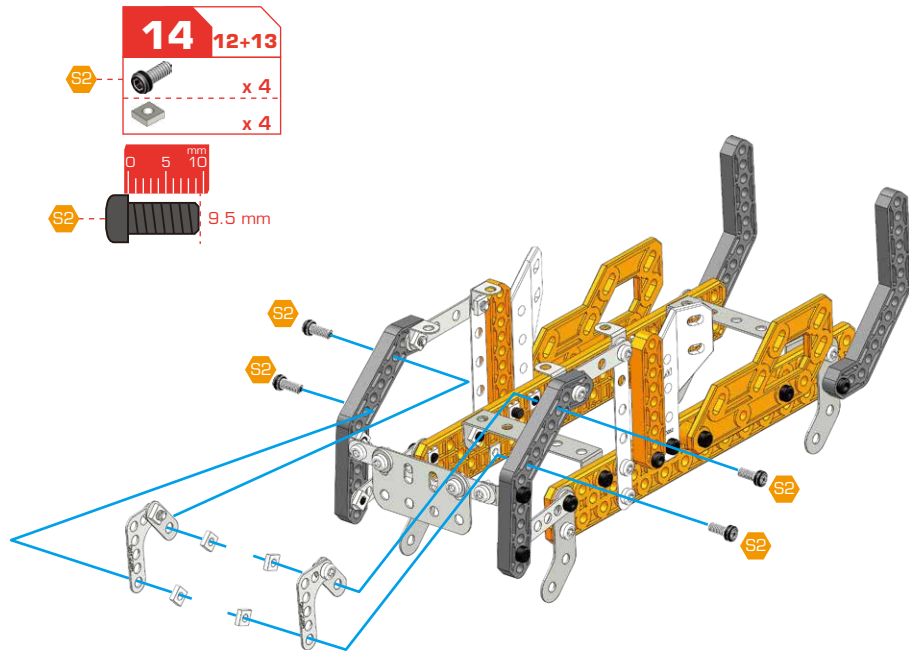
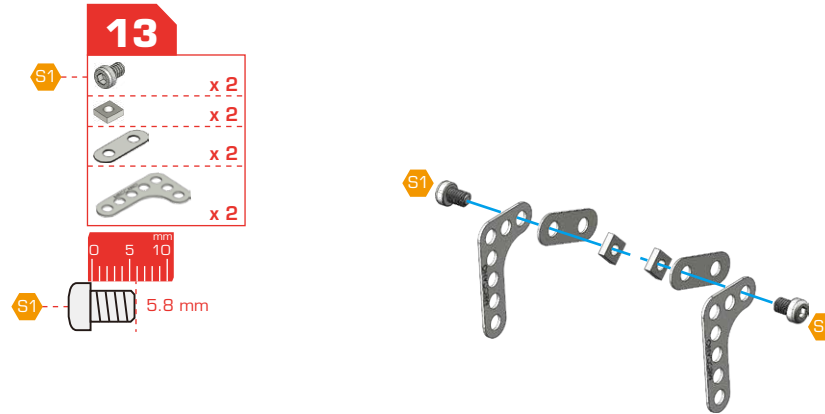
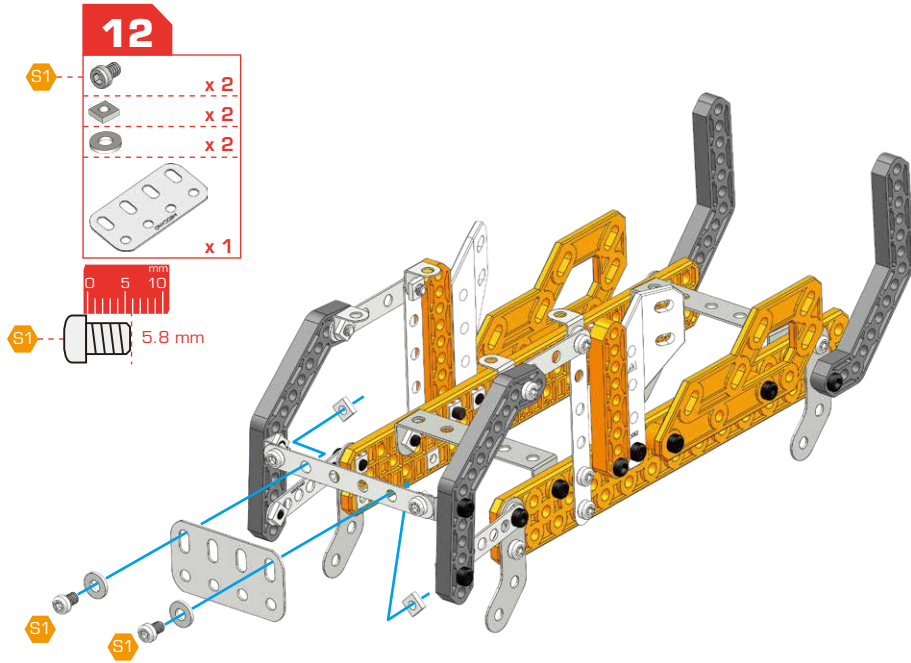
- 3**
- x 2
  - x 2
  - x 4
  - x 2
  - x 2

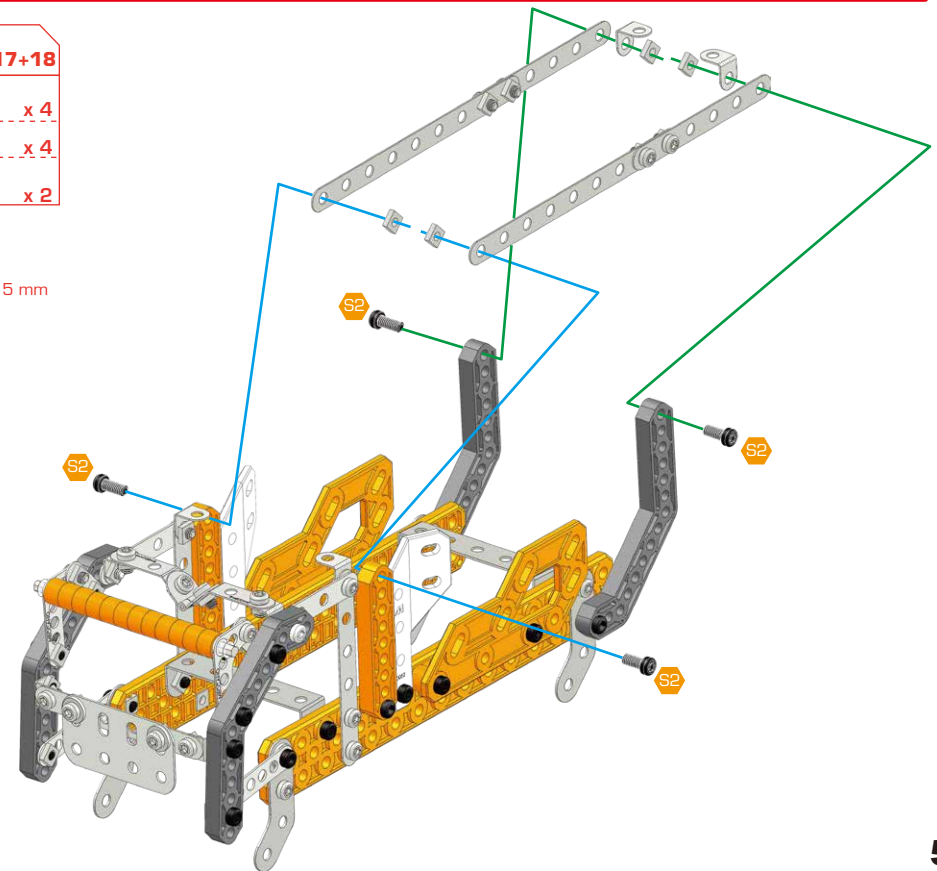
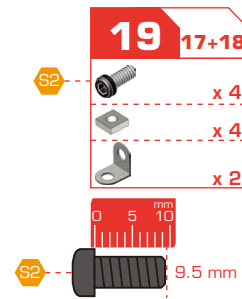
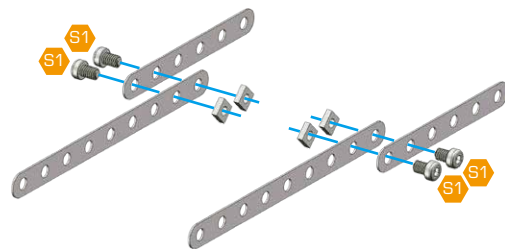
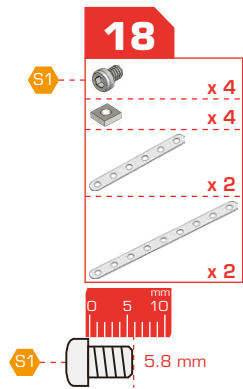
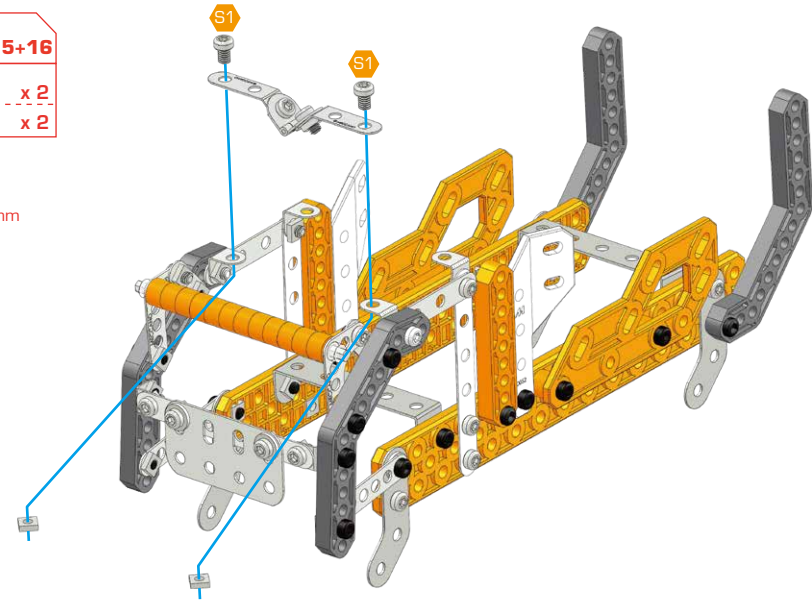
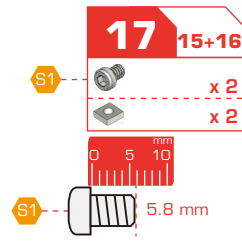
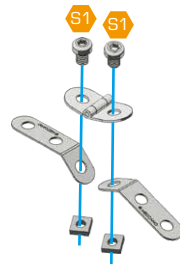
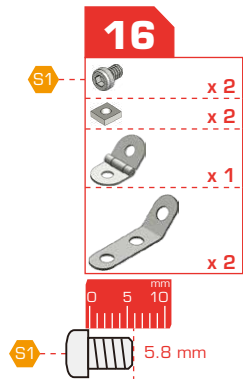
- 5.8 mm
- 14.7 mm





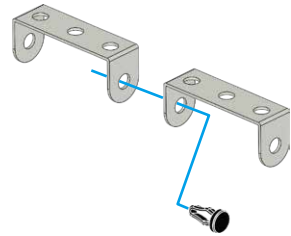









**20**


-  x 1
-  x 2

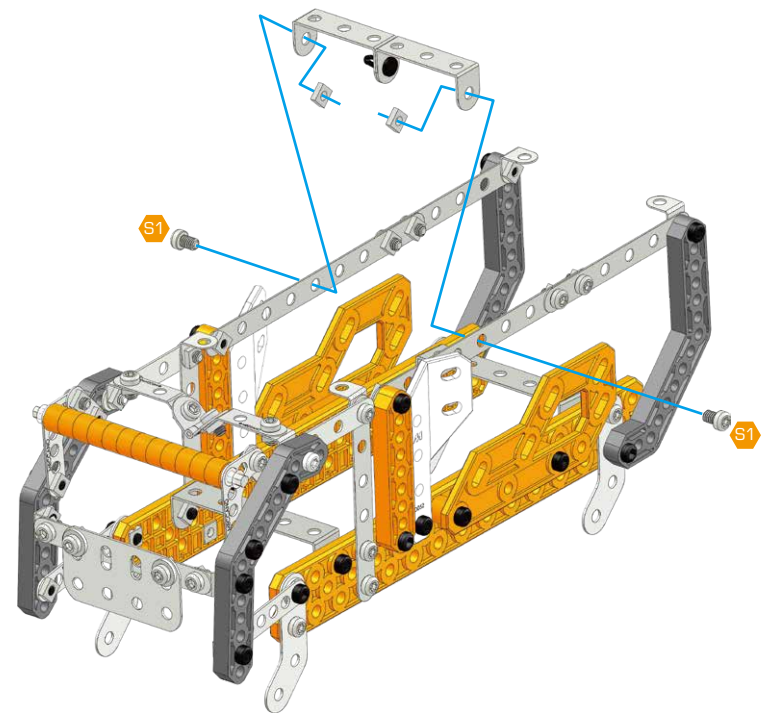


**21** 19+20




-  S1 x 2
-  x 2


 0 5 10 mm


 S1 5.8 mm

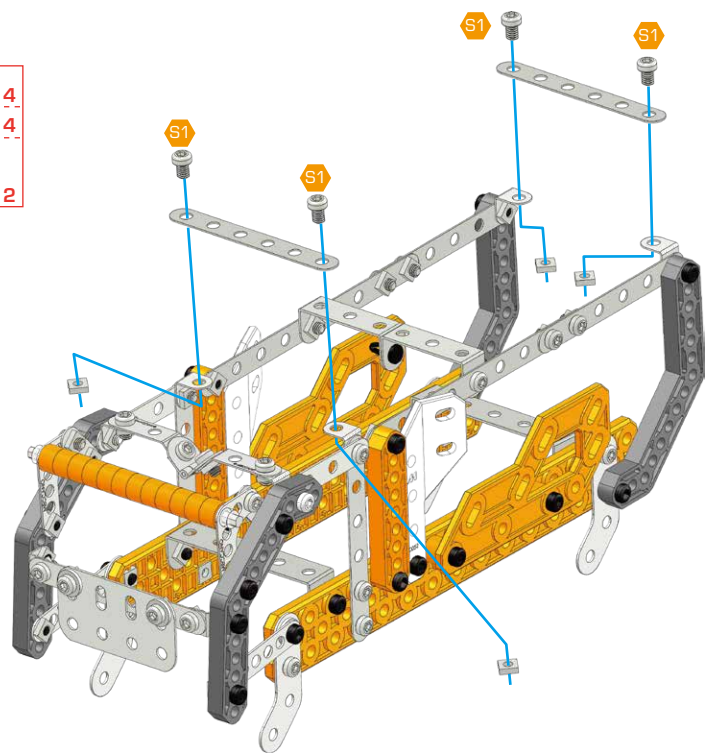


**22**


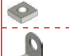


-  S1 x 4
-  x 4
-  x 2


 0 5 10 mm


 S1 5.8 mm

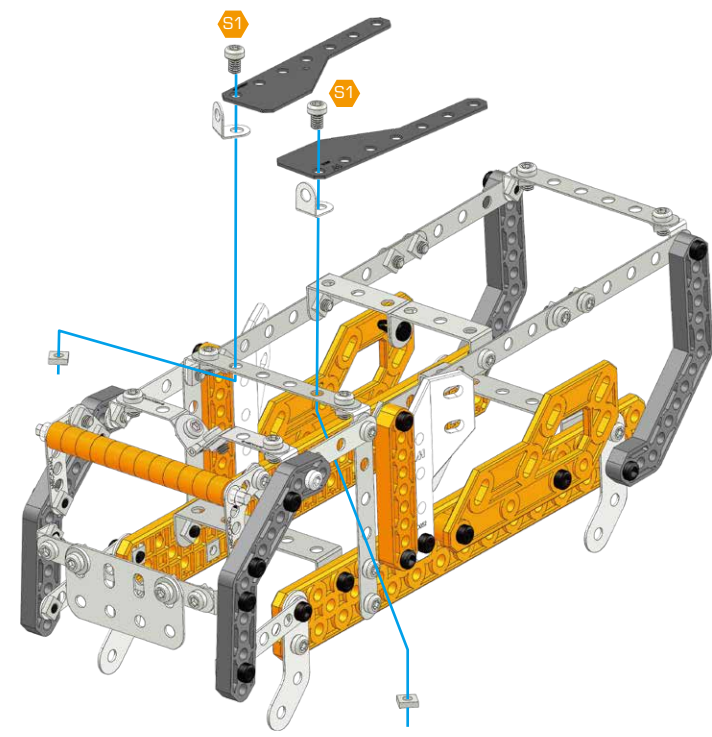


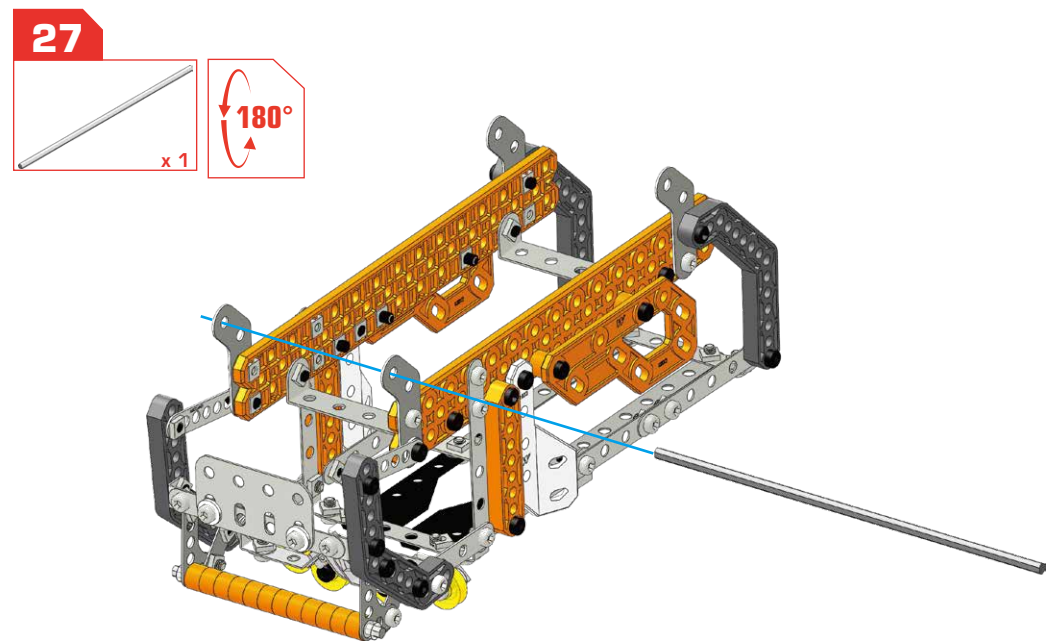
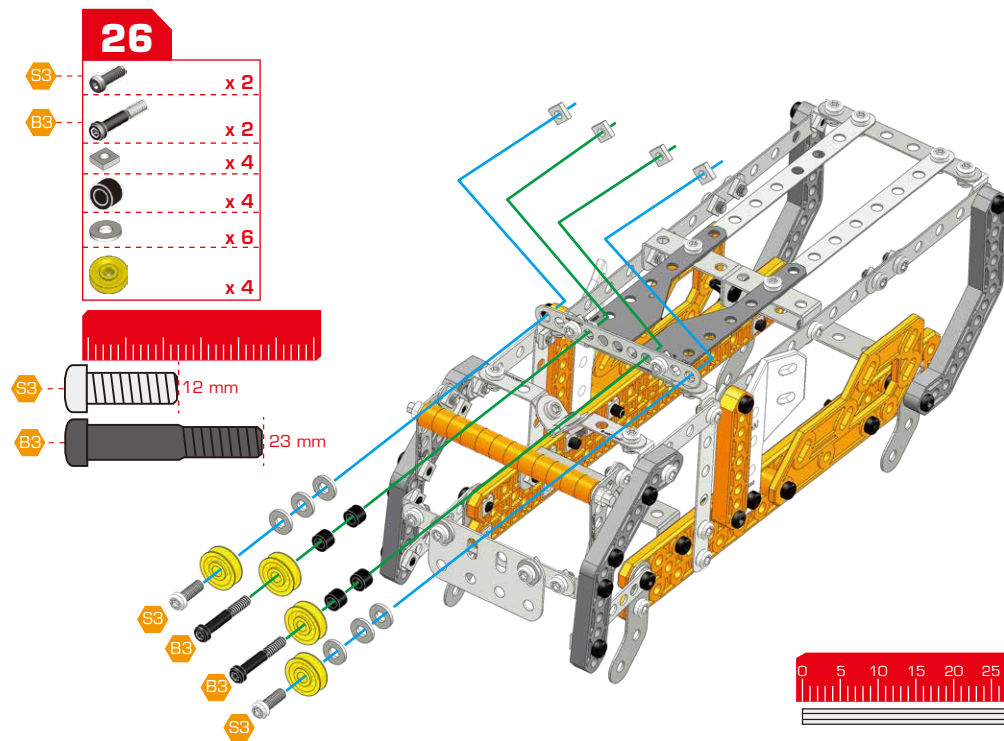
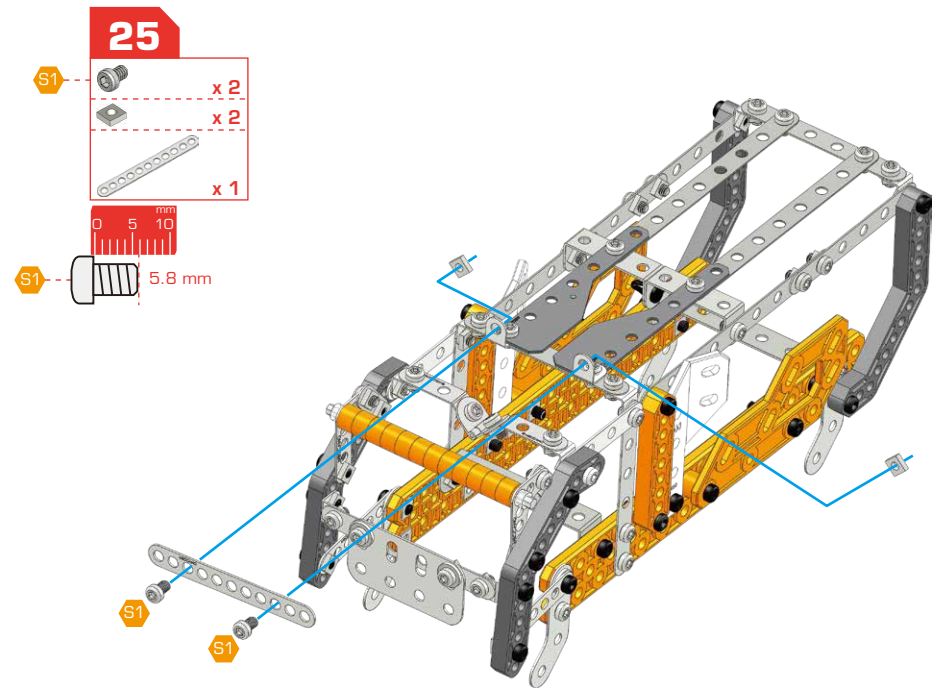
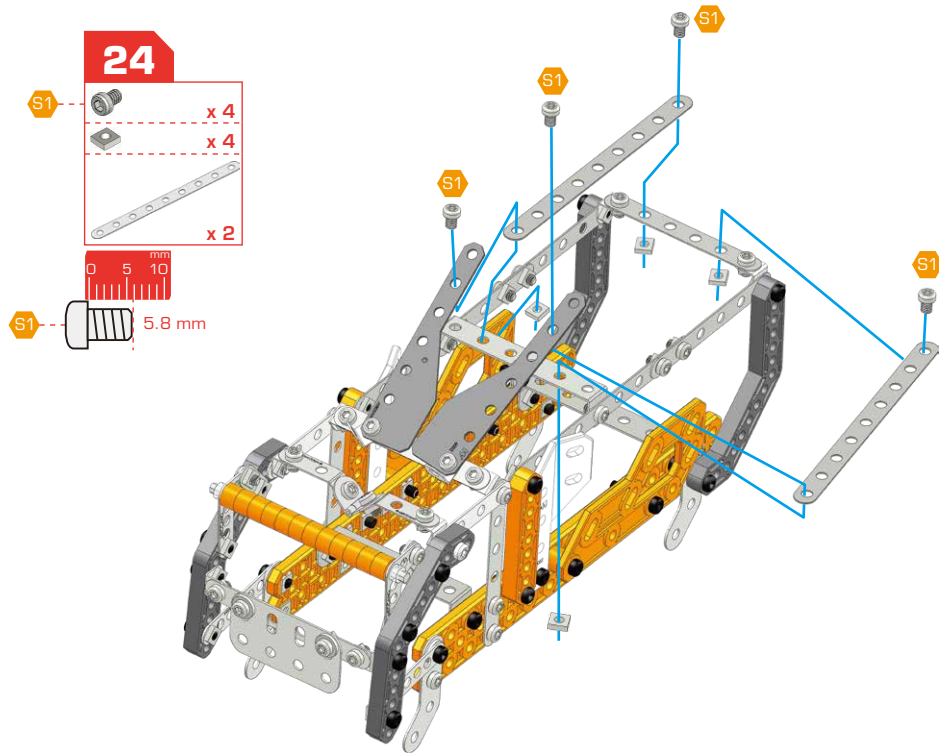
**23**

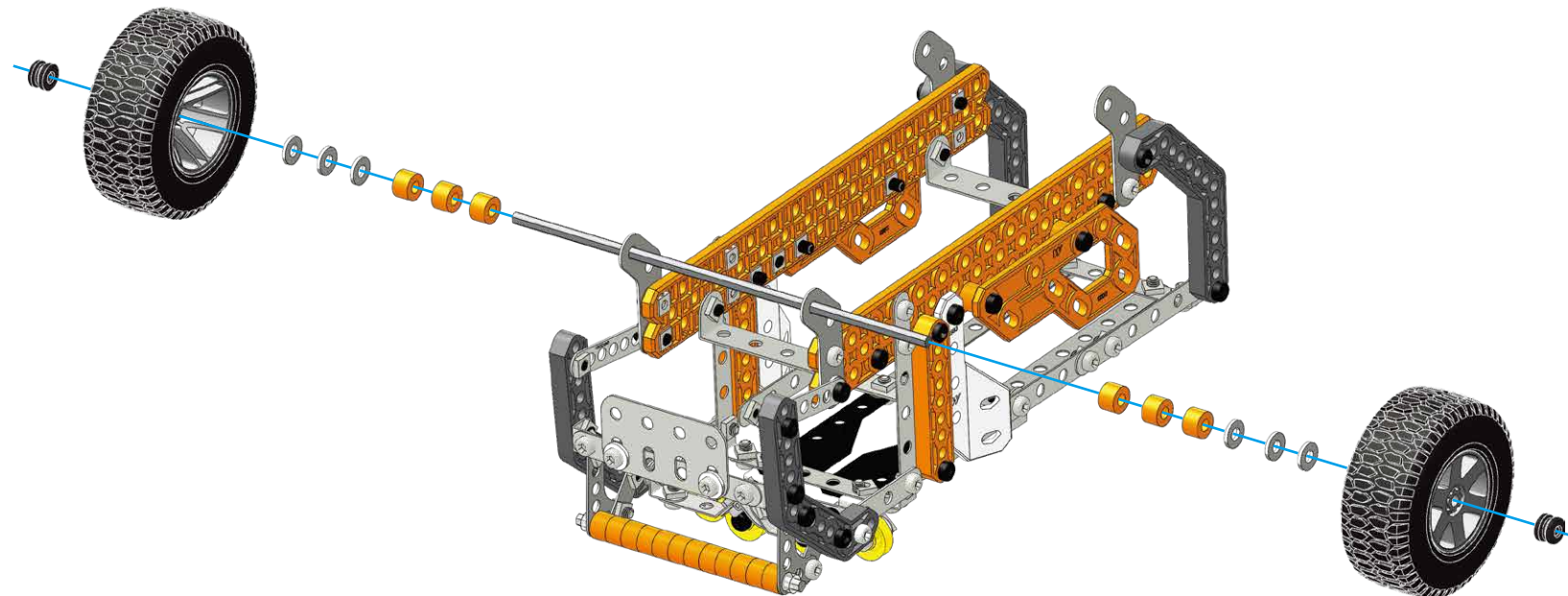
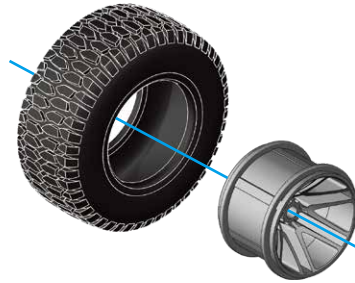
-  S1 x 2
-  x 2
-  x 2
-  x 2

 0 5 10 mm

 S1 5.8 mm

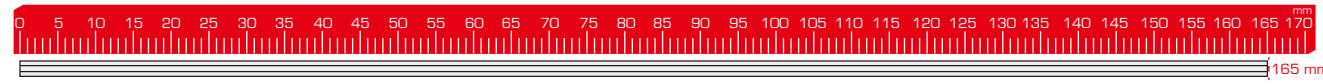
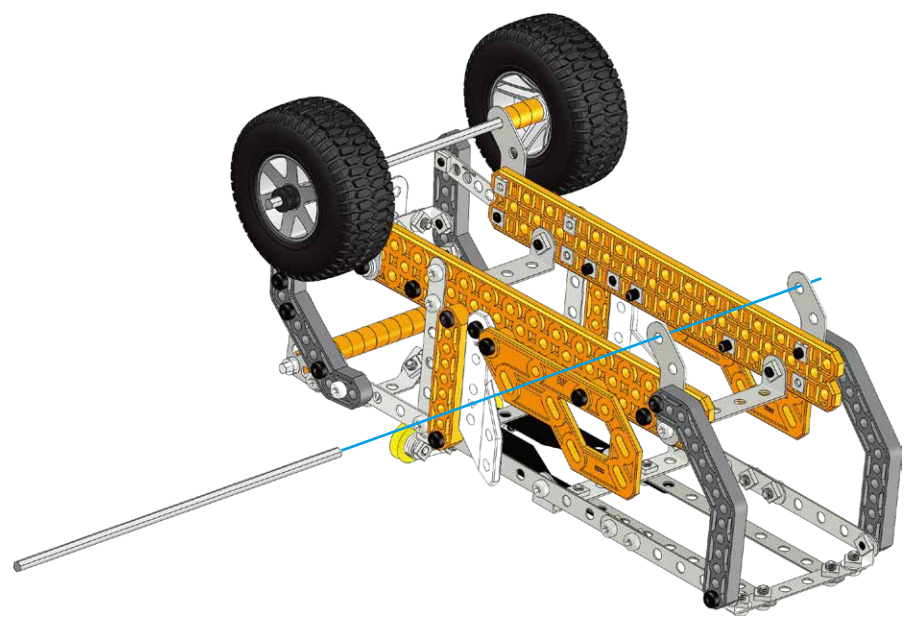
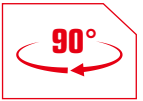








30



31

28+30

