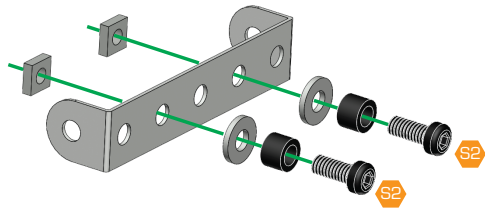
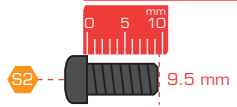
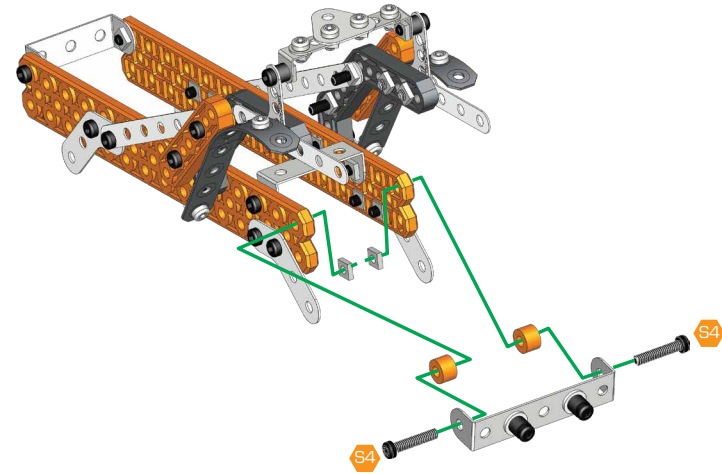
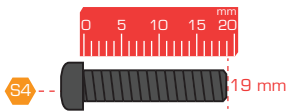


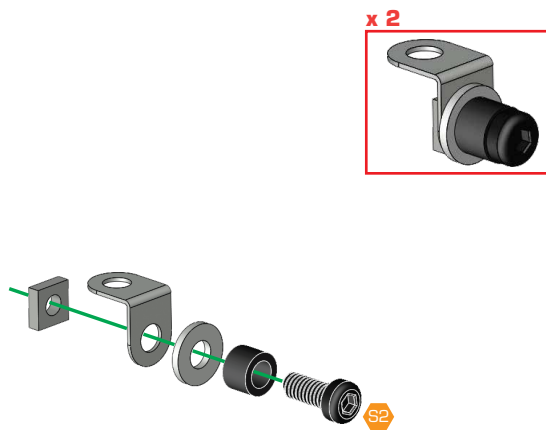
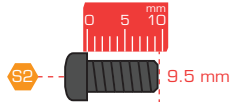
- 16**
- S2 x 2
  - x 2
  - x 2
  - x 2
  - x 1



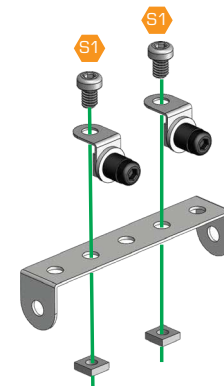
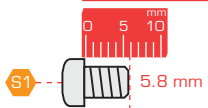
- 17** 15+16
- S4 x 2
  - x 2
  - x 2



- 18**
- S2 x 2
  - x 2
  - x 2
  - x 2
  - x 2



- 19**
- S1 x 2
  - x 2
  - x 1

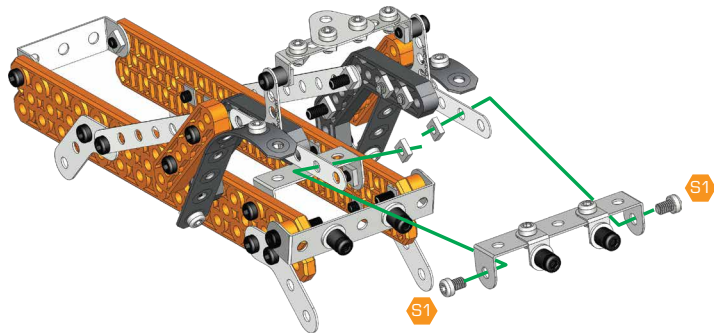


**20** 17+19

- S1 x 2
- x 2

0 5 10 mm

S1 5.8 mm



**21**

- S1 x 1
- x 1
- x 1
- x 1
- x 1

0 5 10 mm

S1 5.8 mm

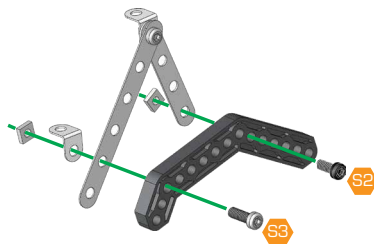
**22**

- S2 x 1
- S3 x 1
- x 2
- x 1
- x 1

0 5 10 15 mm

S2 9.5 mm

S3 12 mm

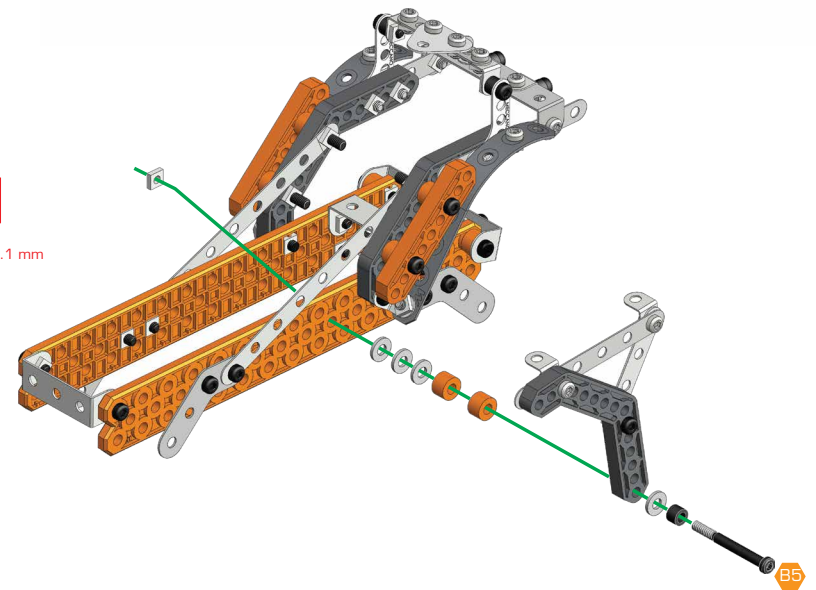


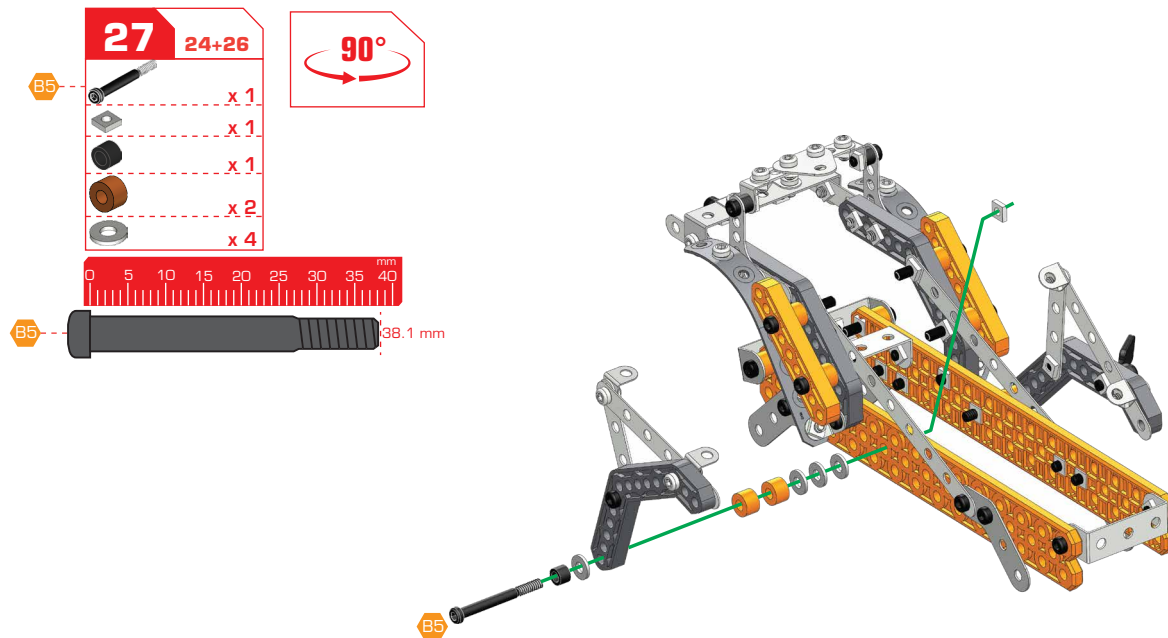
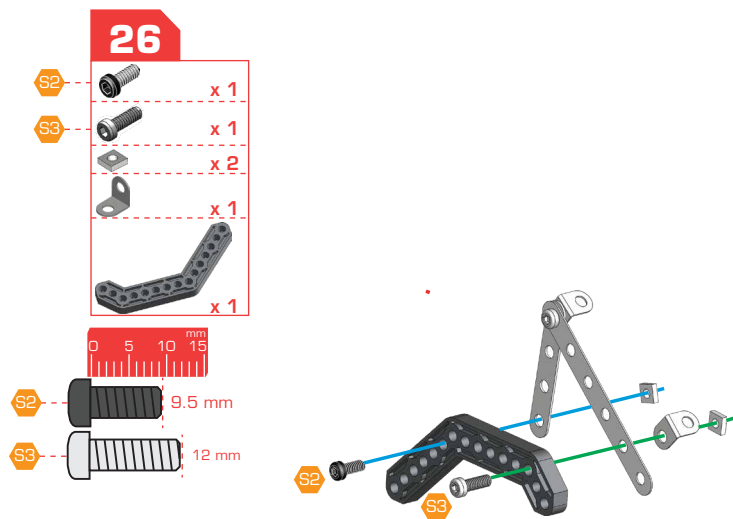
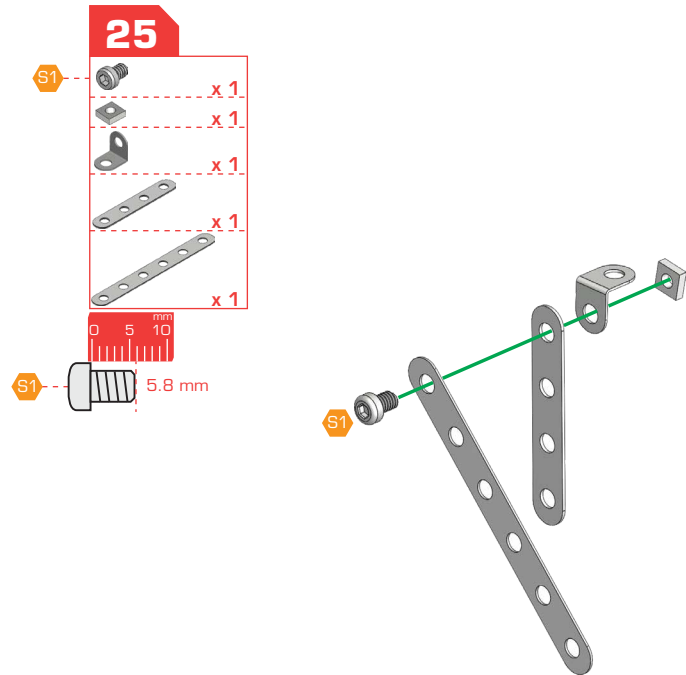
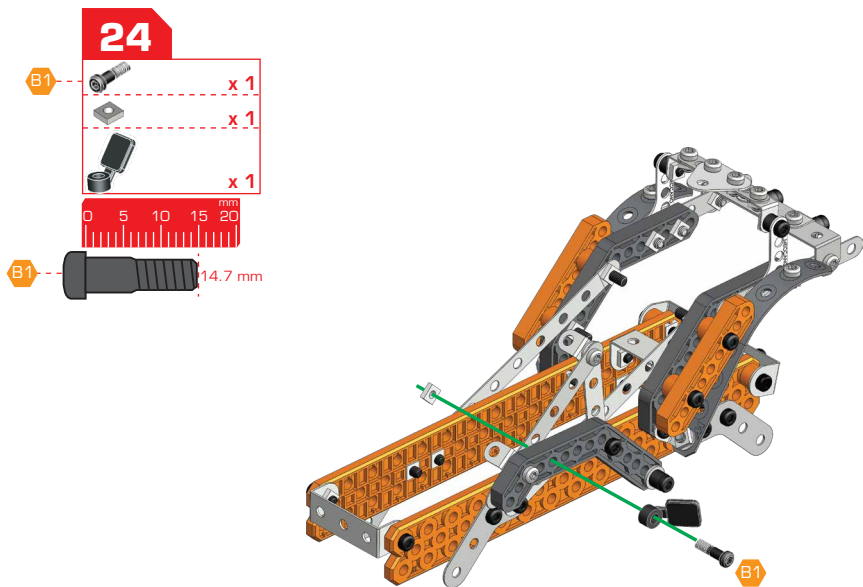
**23** 20+22

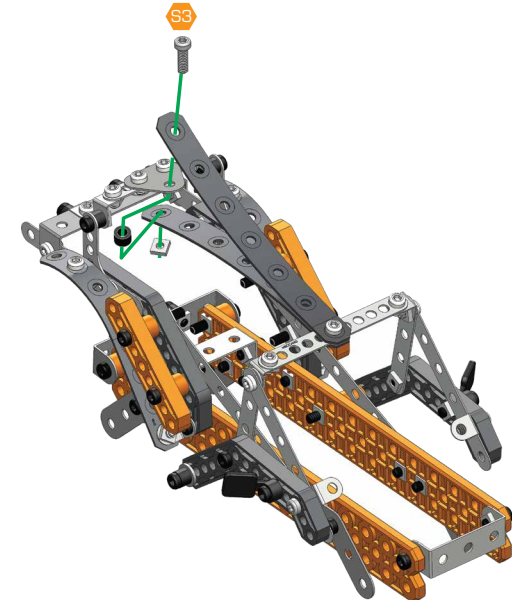
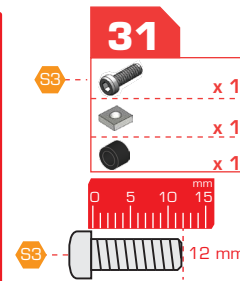
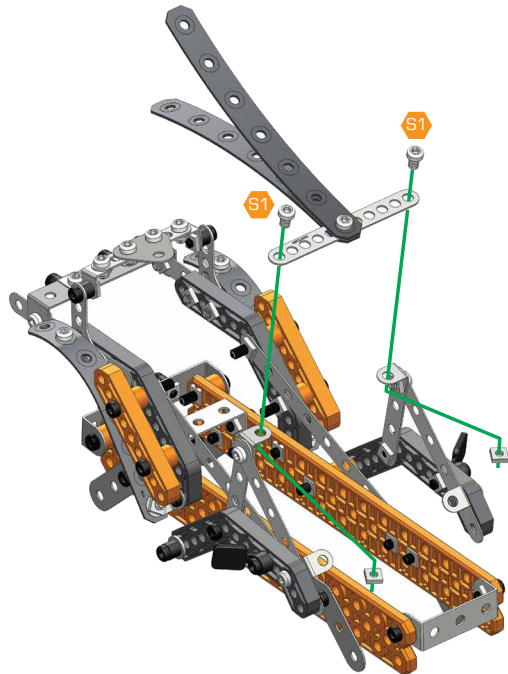
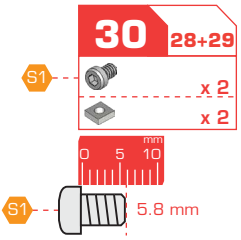
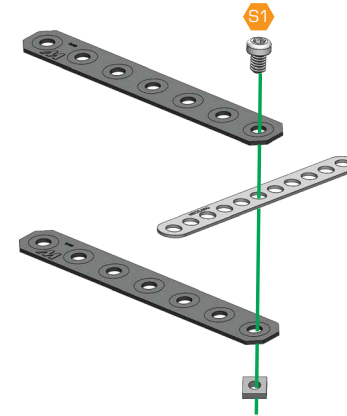
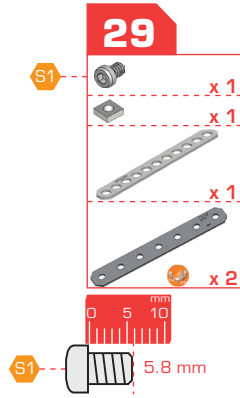
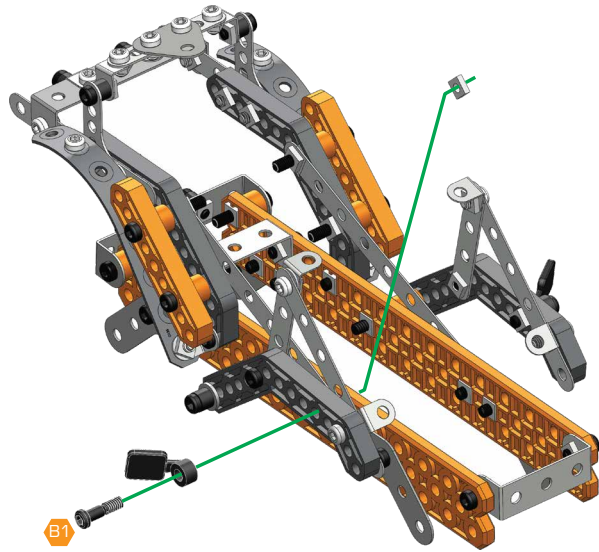
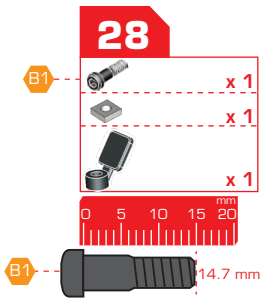
- B5 x 1
- x 1
- x 1
- x 2
- x 4

0 5 10 15 20 25 30 35 40 mm

B5 38.1 mm







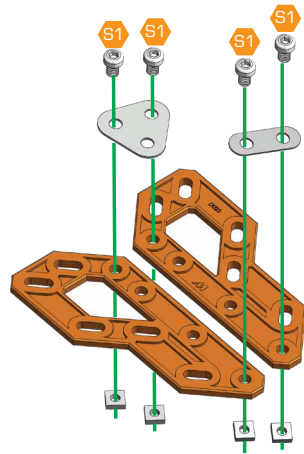


### 32

- S1 x 4
- x 4
- x 1
- x 1
- x 2

mm  
0 5 10

S1 5.8 mm

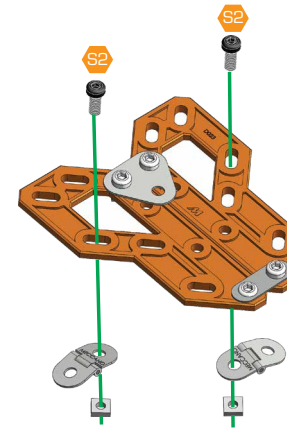


### 33

- S2 x 2
- x 2
- x 2

mm  
0 5 10

S2 9.5 mm

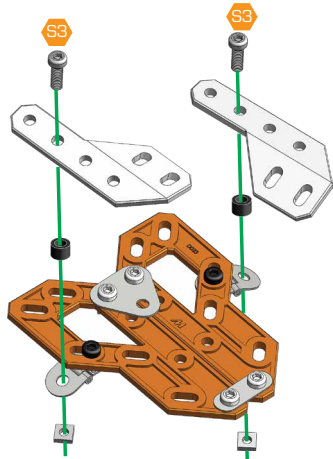


### 34

- S3 x 2
- x 2
- x 2
- x 1
- x 1

mm  
0 5 10 15

S3 12 mm



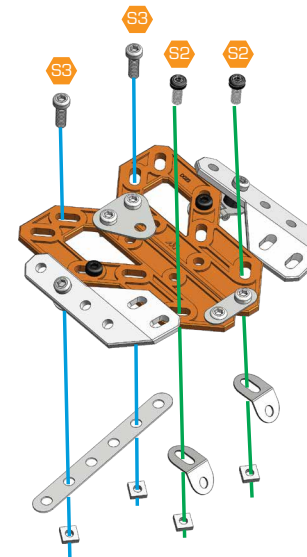
### 35

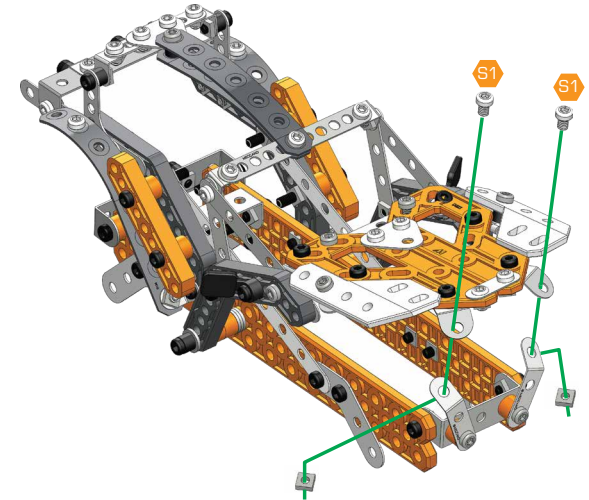
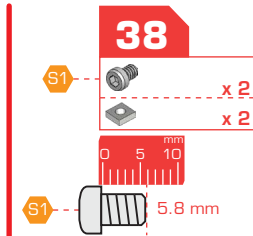
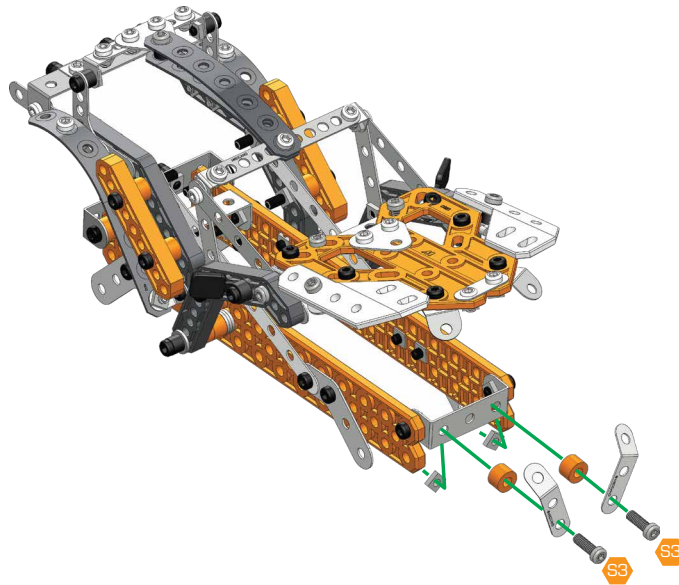
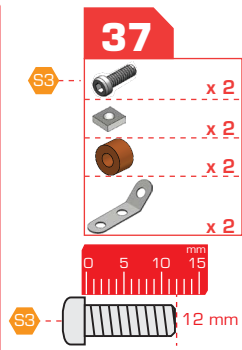
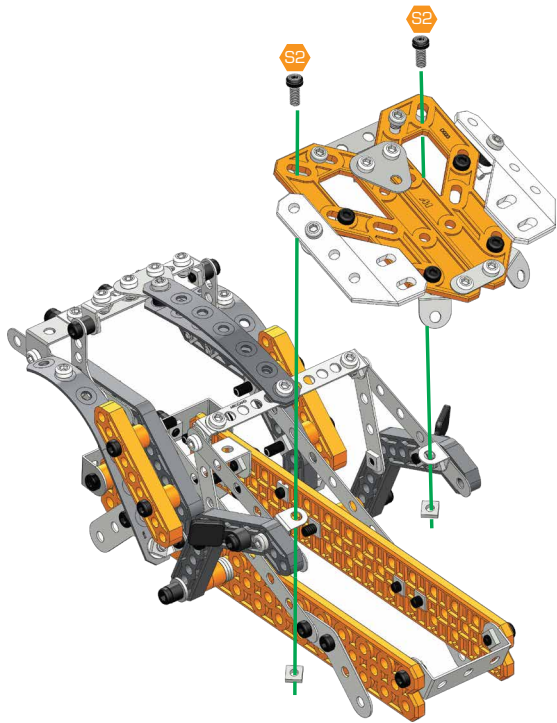
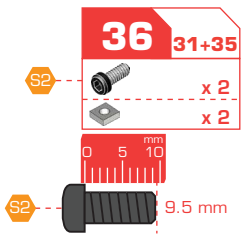
- S2 x 2
- S3 x 2
- x 4
- x 2
- x 1

mm  
0 5 10 15

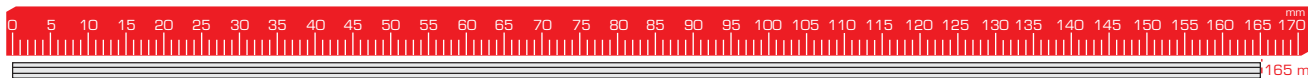
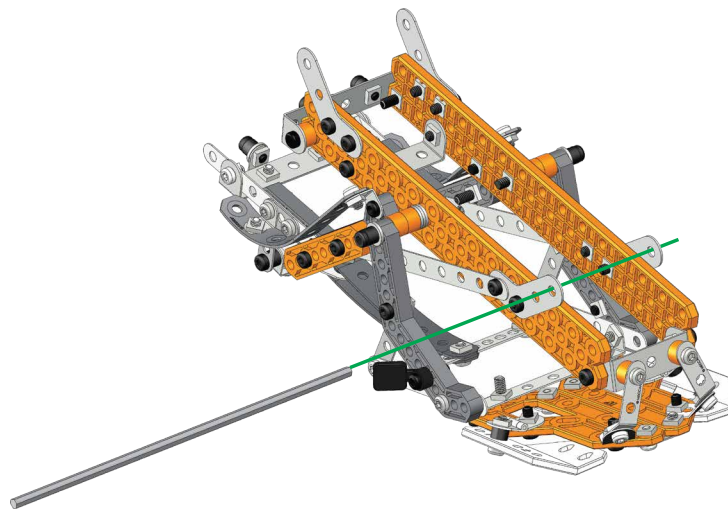
S2 9.5 mm

S3 12 mm





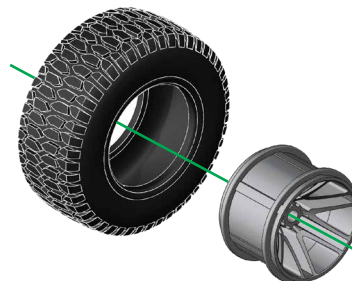
39



40



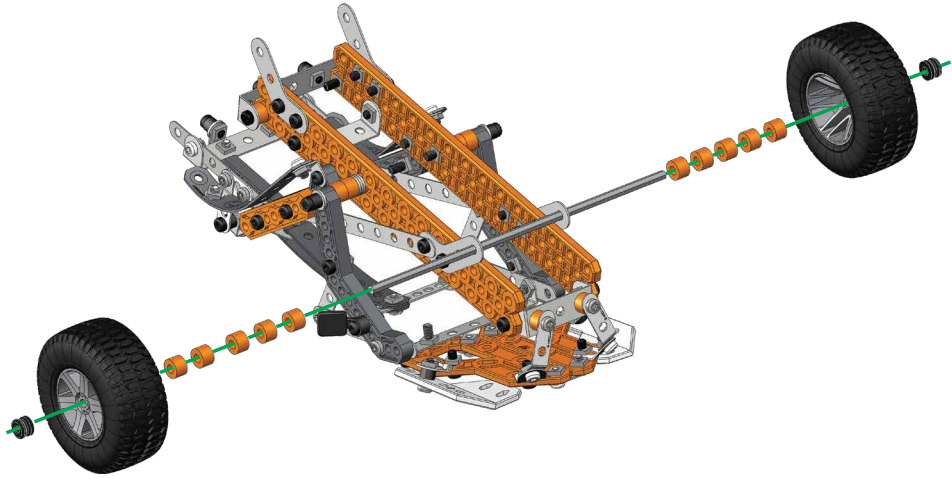
x 4




**41** 39+40

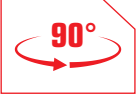
 x 2

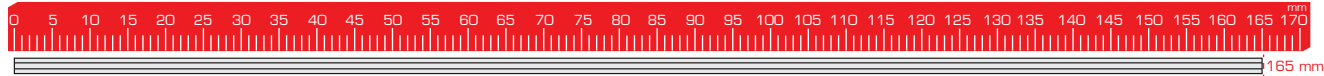
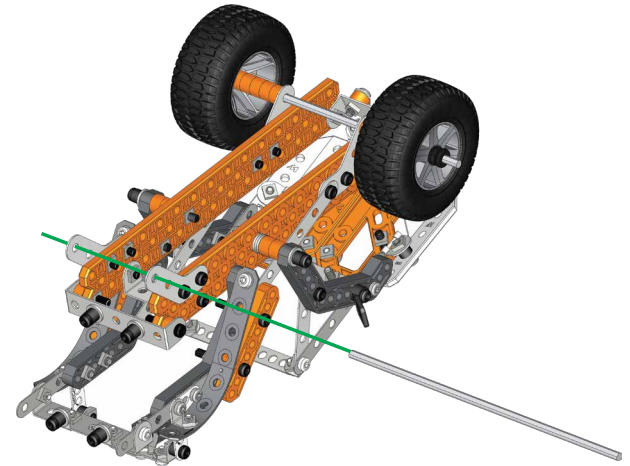
 x 10




**42**


 x 1

 90°



**43** 40+42

 x 2

 x 10

