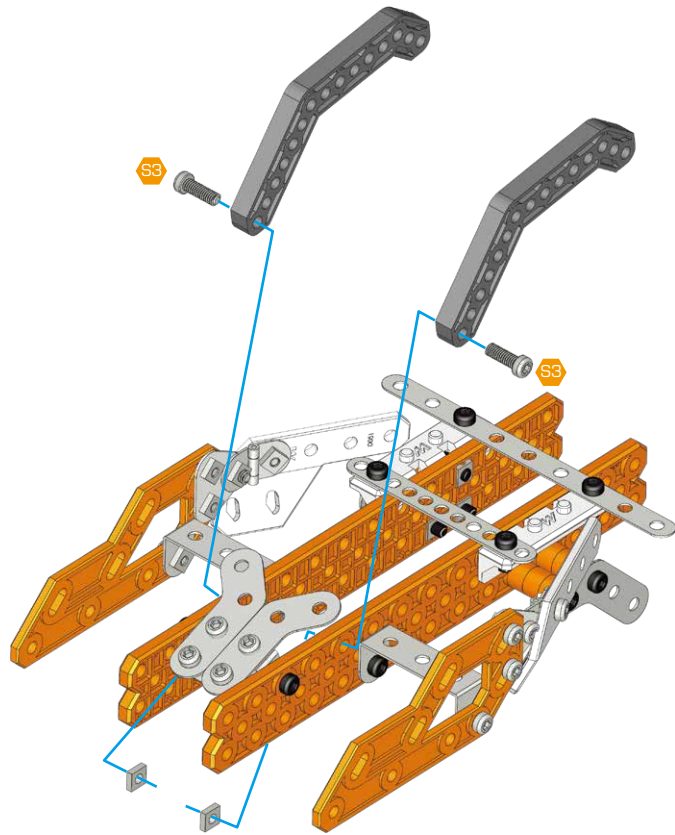


12

- S3 x 2
- x 2
- x 2

S3 12 mm

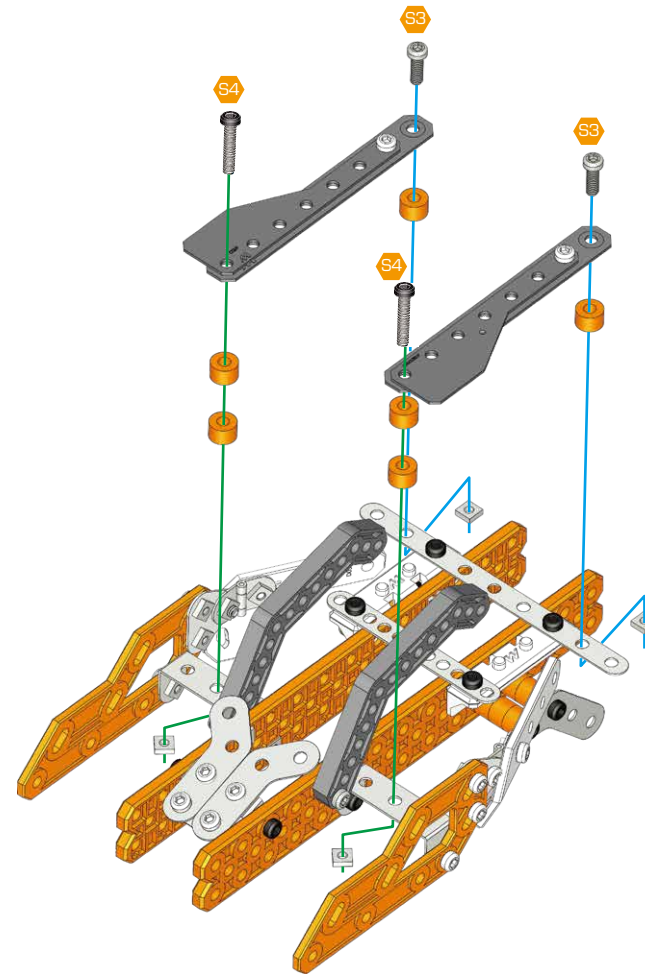


14 12+13

- S3 x 2
- S4 x 2
- x 4
- x 6

S3 12 mm

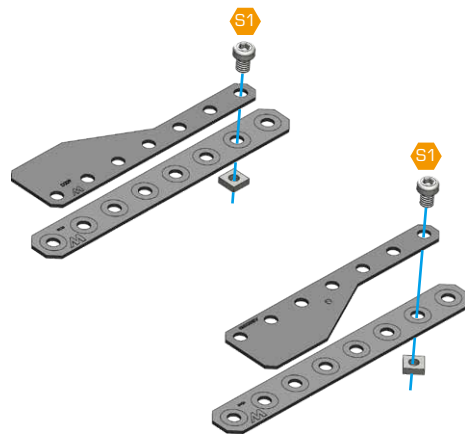
S4 19 mm

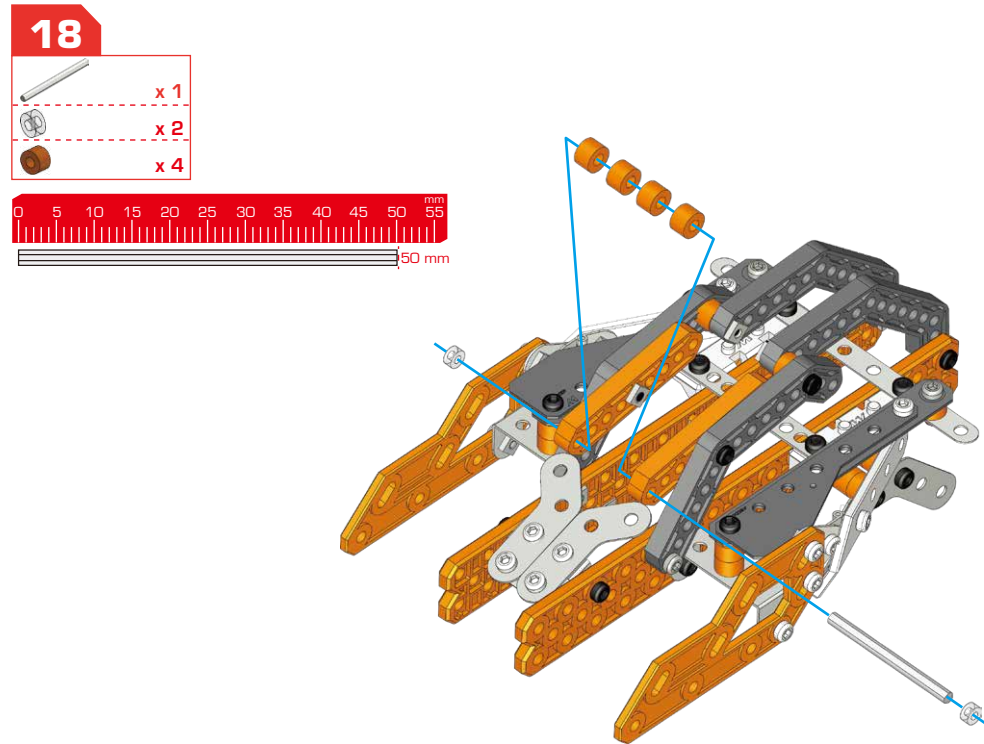
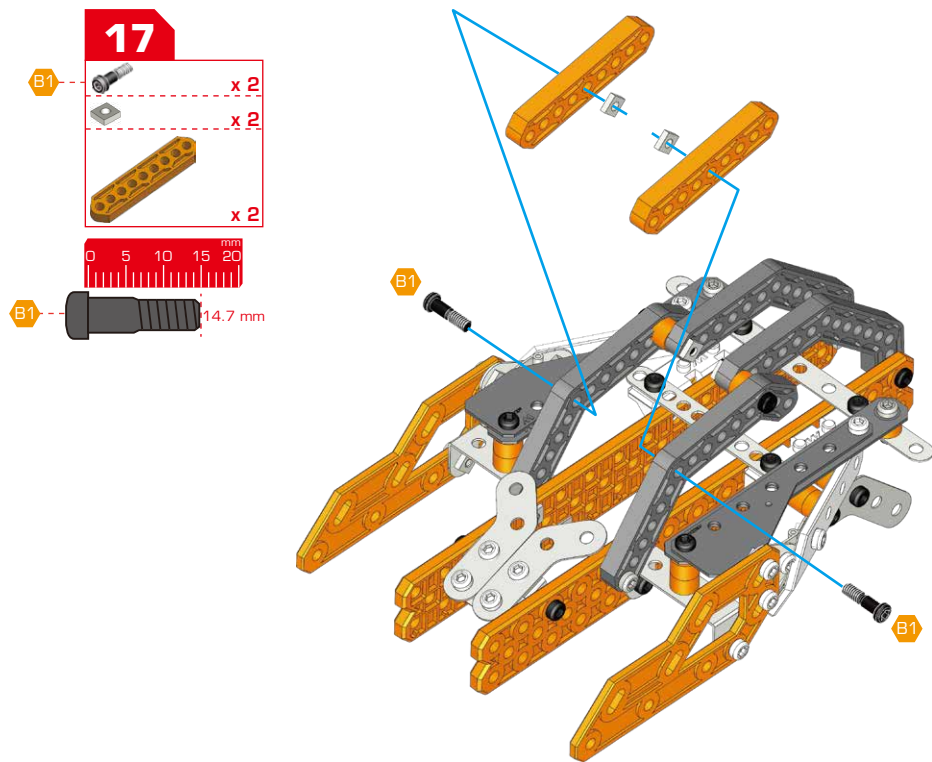
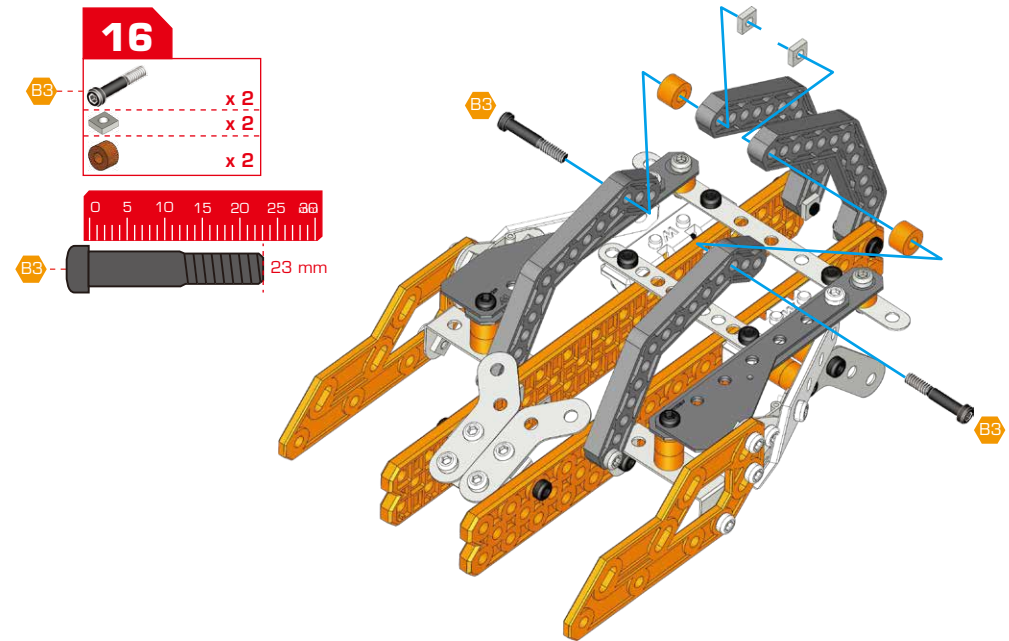
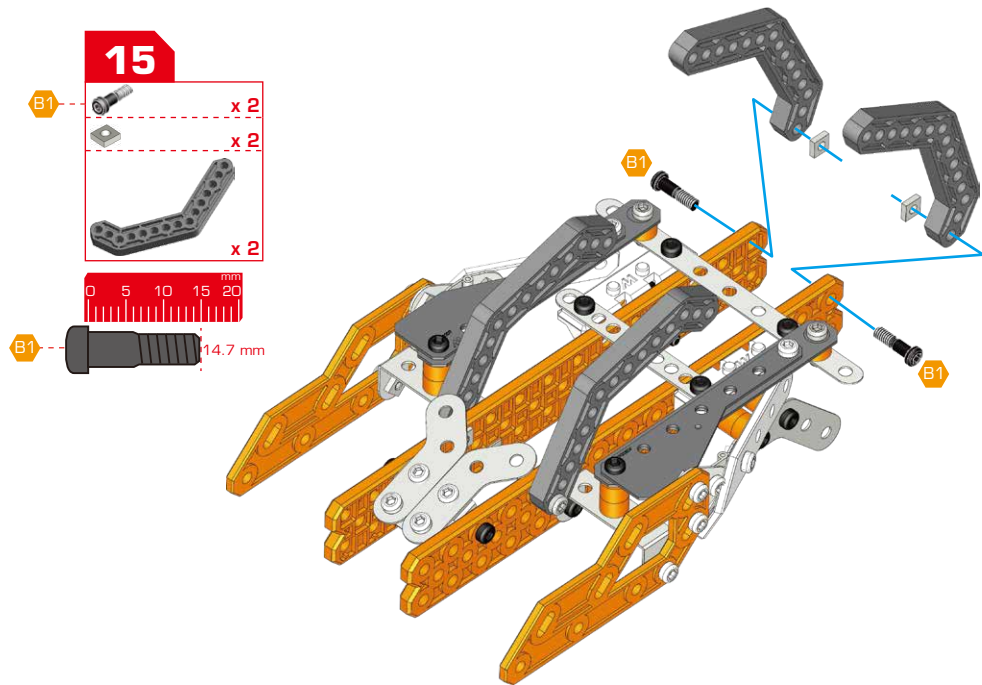


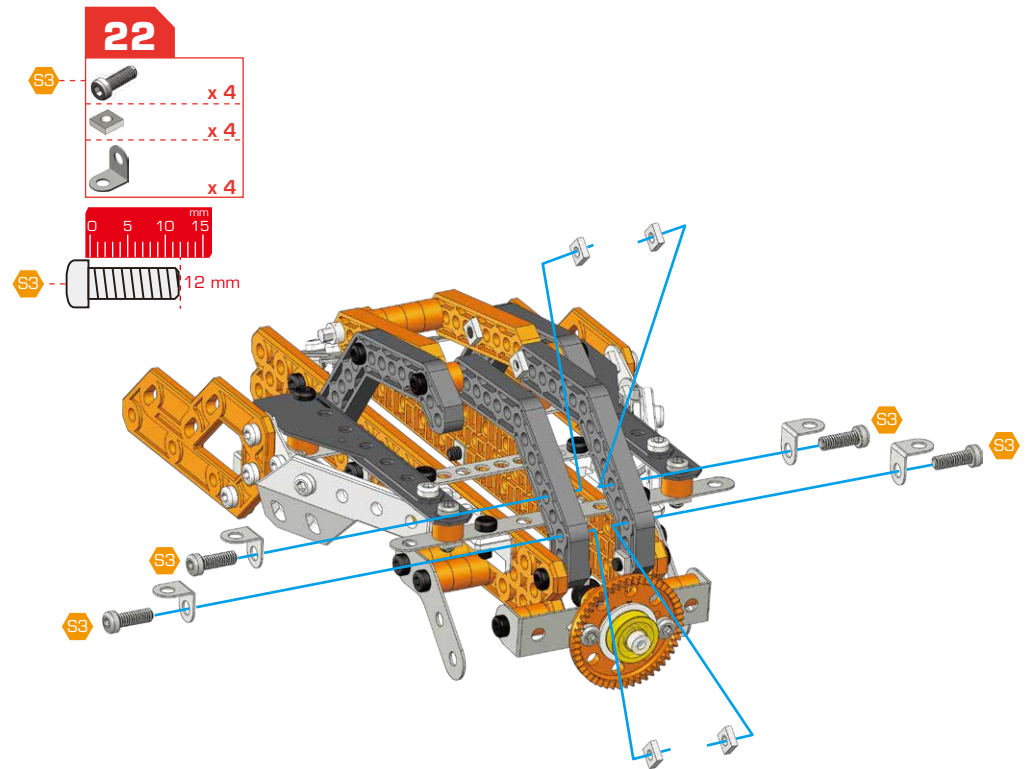
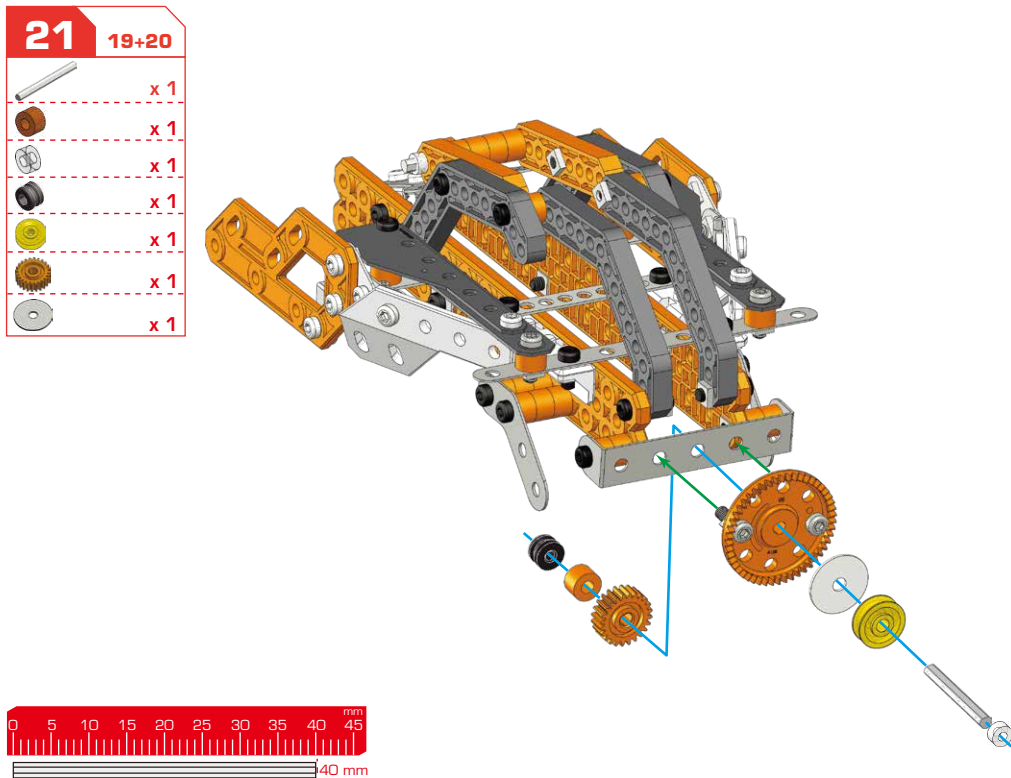
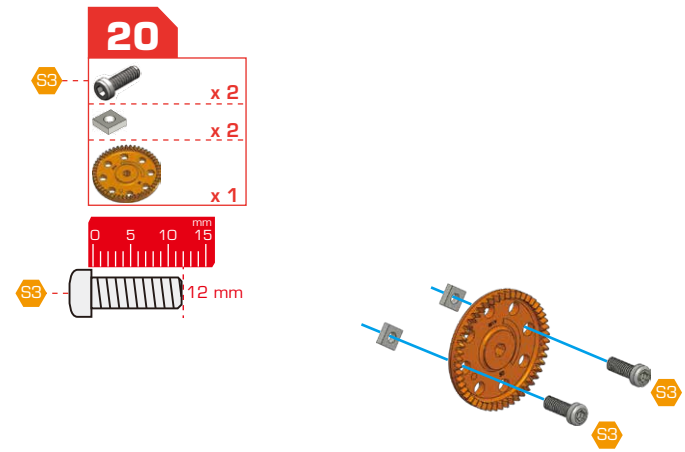
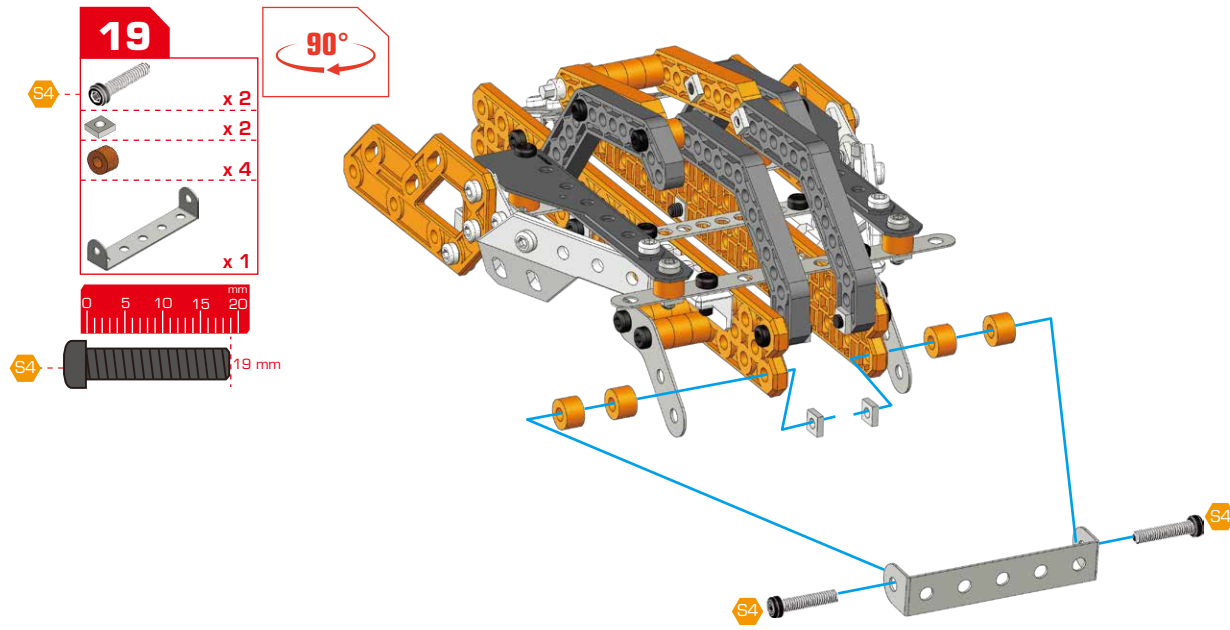
13

- S1 x 2
- x 2
- x 2
- x 2




S1 5.8 mm

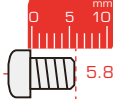


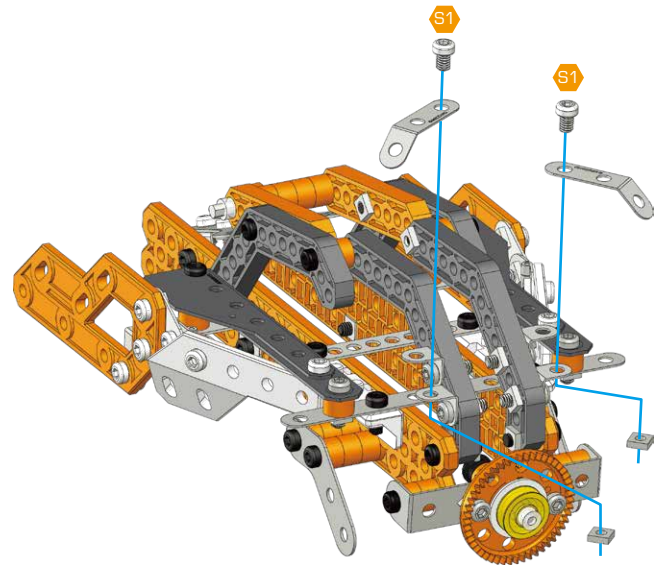







23

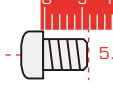
-  x 2
-  x 2
-  x 2

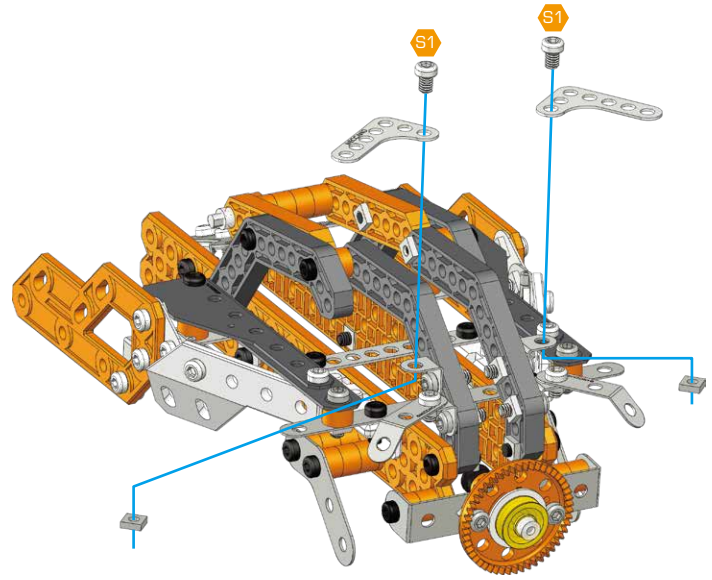
 5.8 mm




24


-  x 2
-  x 2
-  x 2

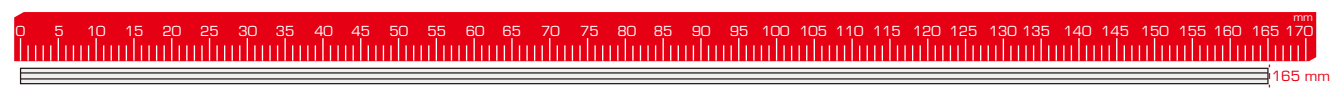
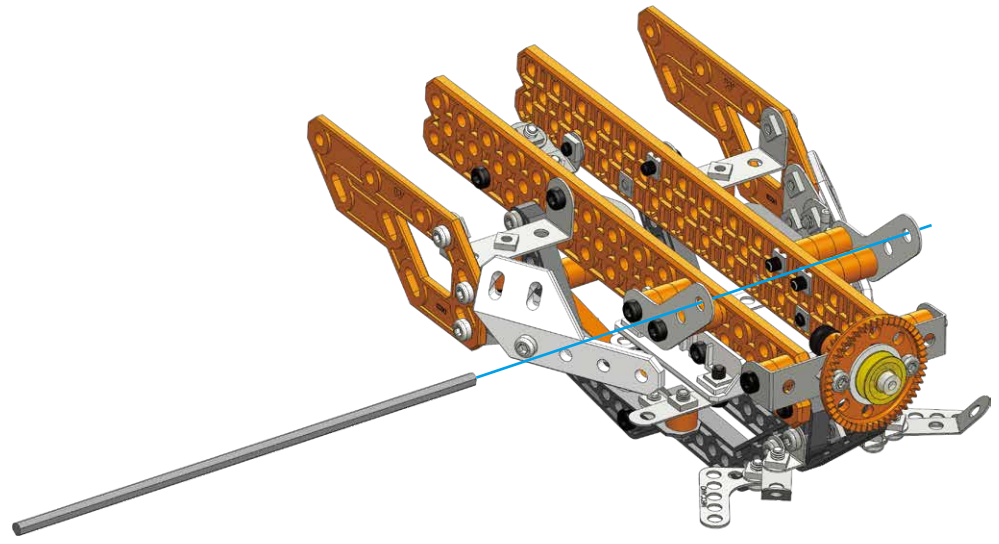
 5.8 mm

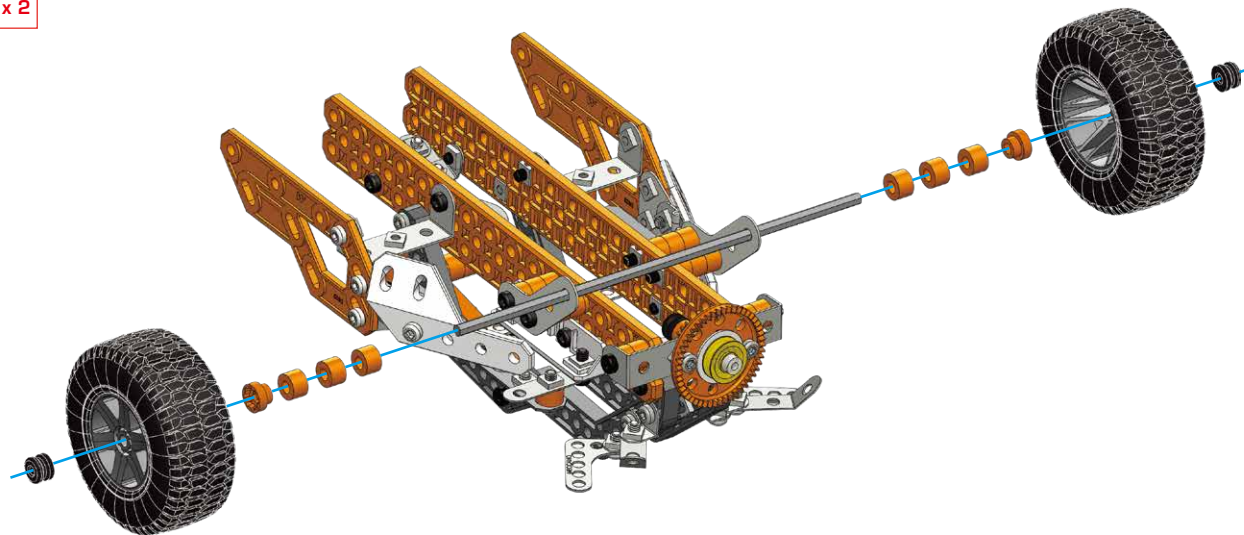
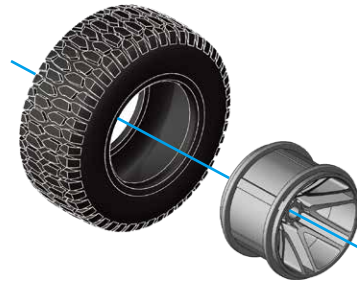


25

 x 1

 180°





28 26+27

-  x 1
-  x 8
-  x 2

