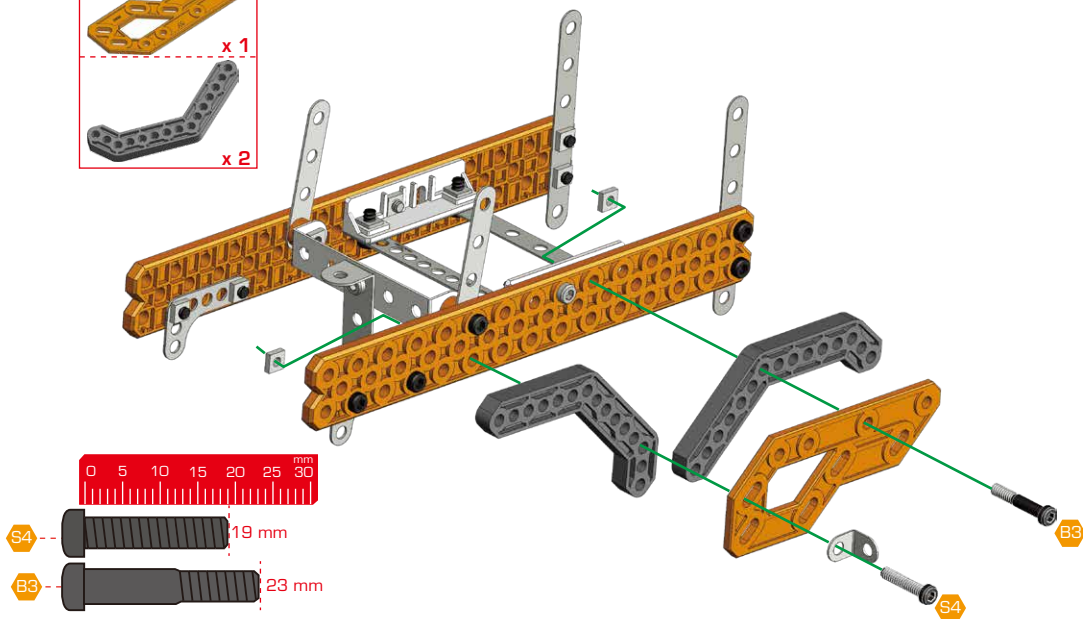




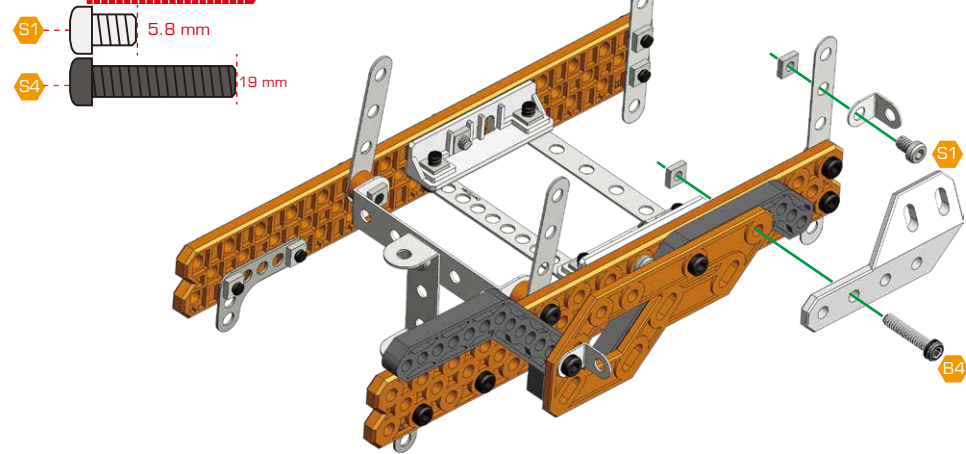
### 12

- S4 x 1
- B3 x 1
- x 2
- x 1
- x 1
- x 2



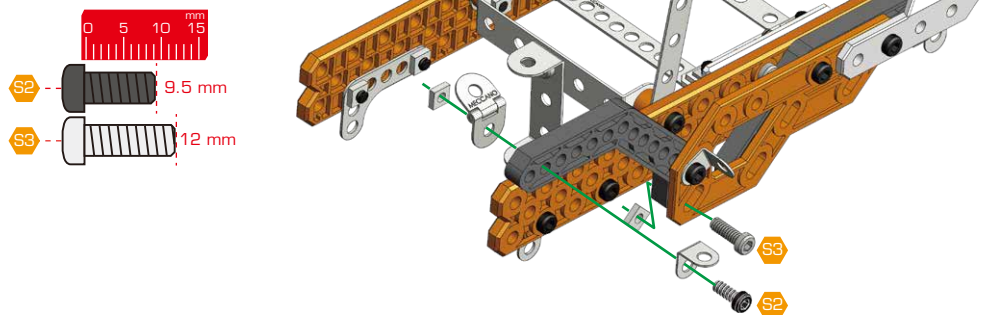
### 13

- S1 x 1
- B4 x 1
- x 2
- x 1
- x 1



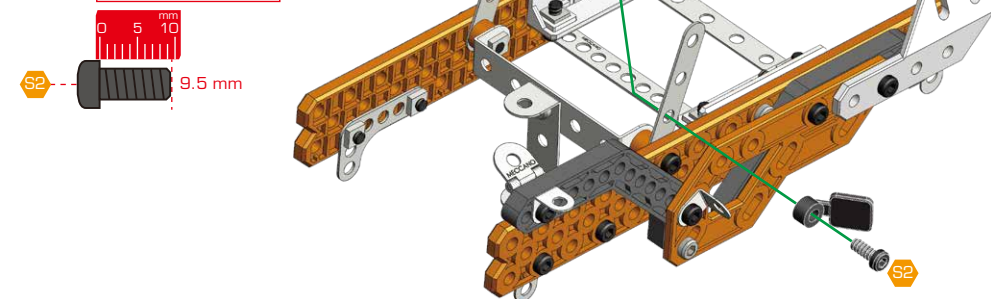
### 14

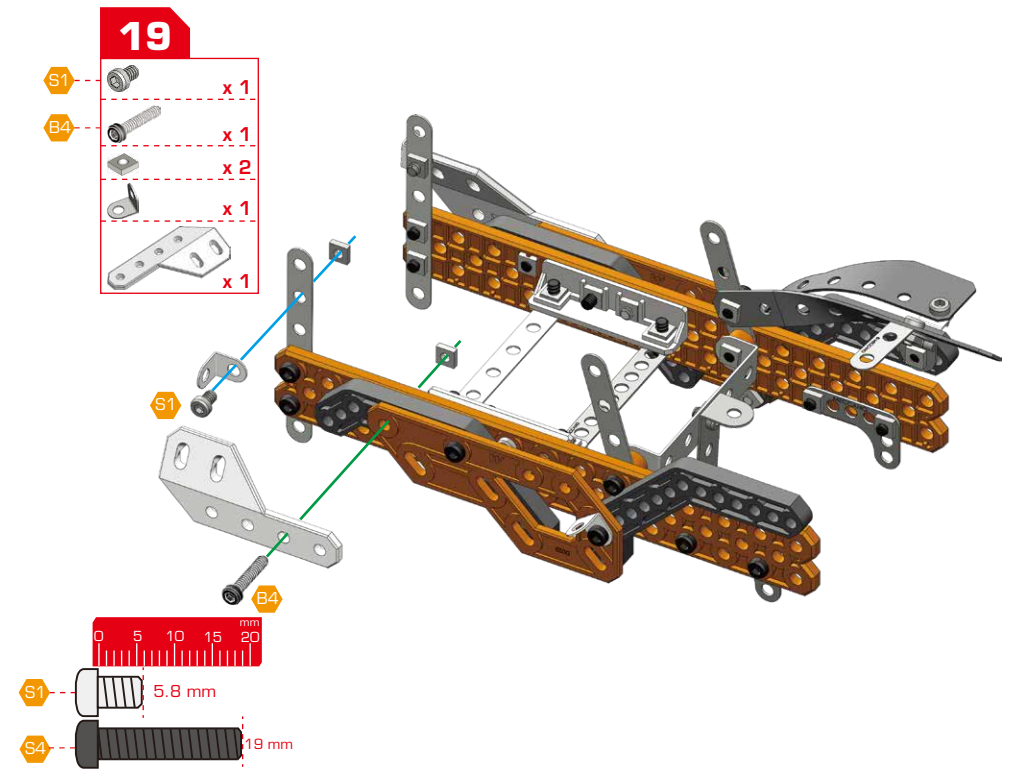
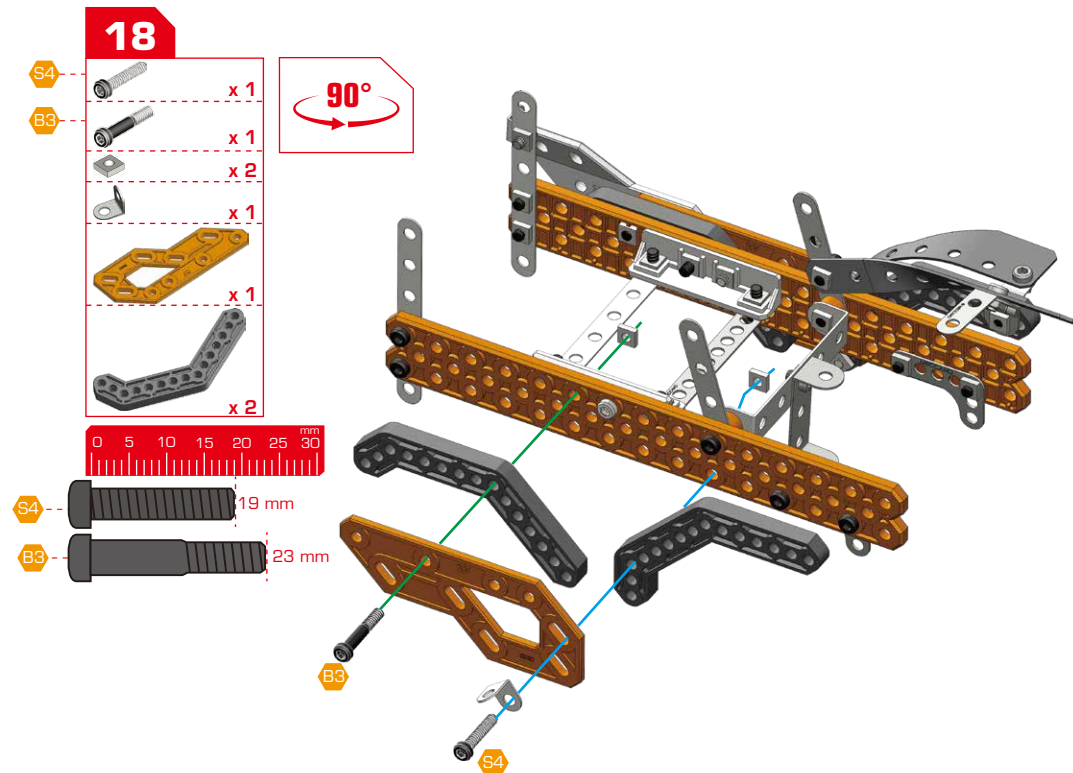
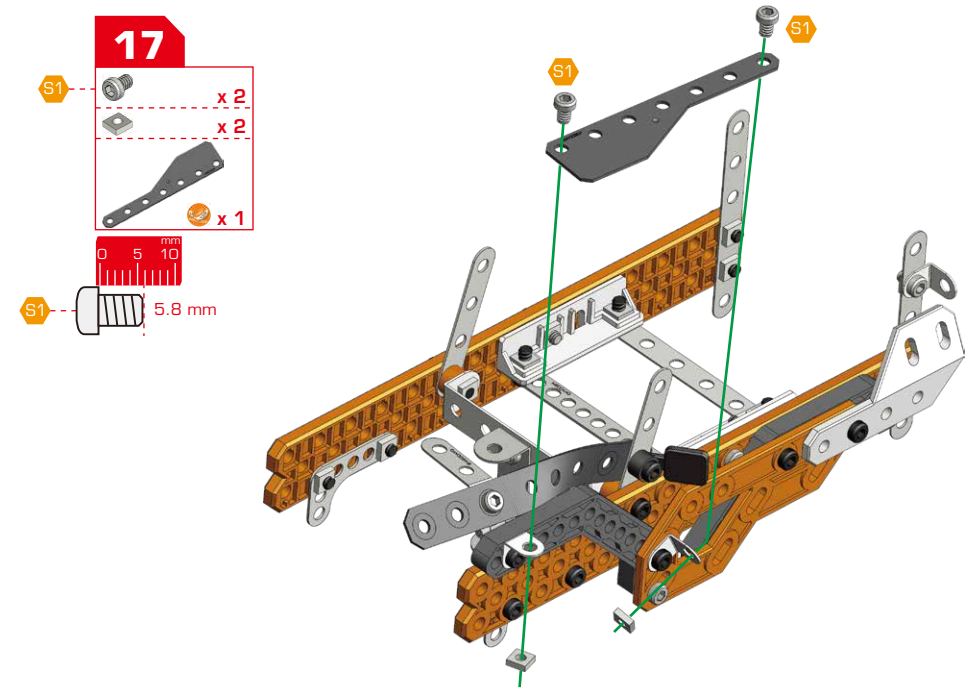
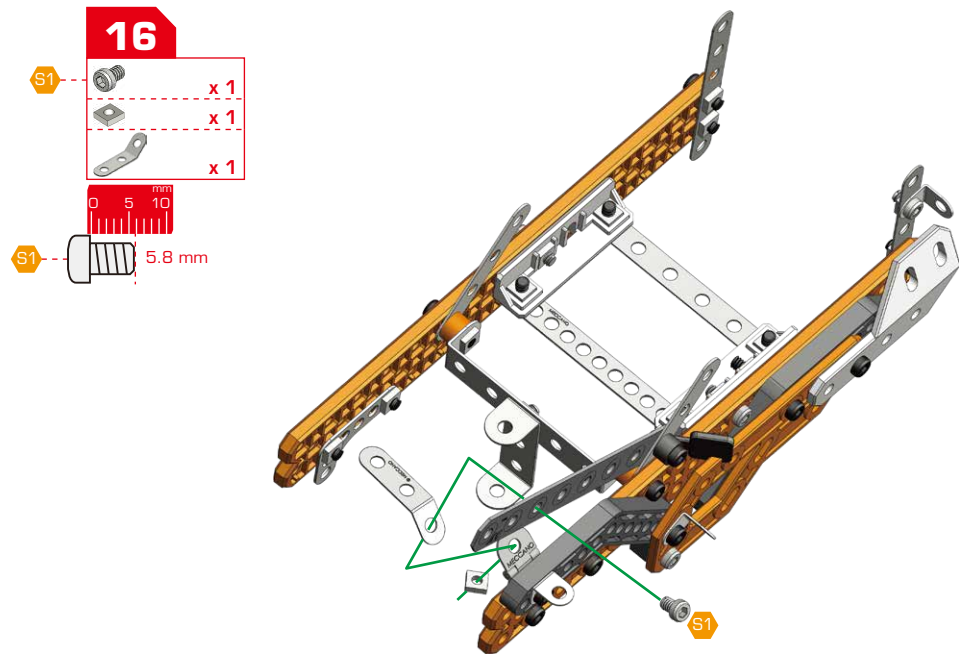
- S2 x 1
- B3 x 1
- x 1
- x 1
- x 2



### 15

- S2 x 1
- x 1
- x 1
- x 1
- x 1

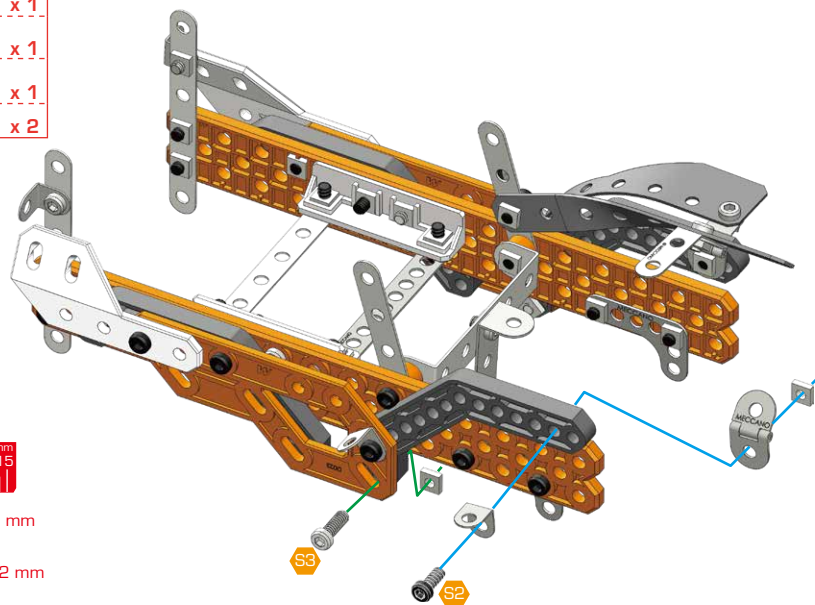






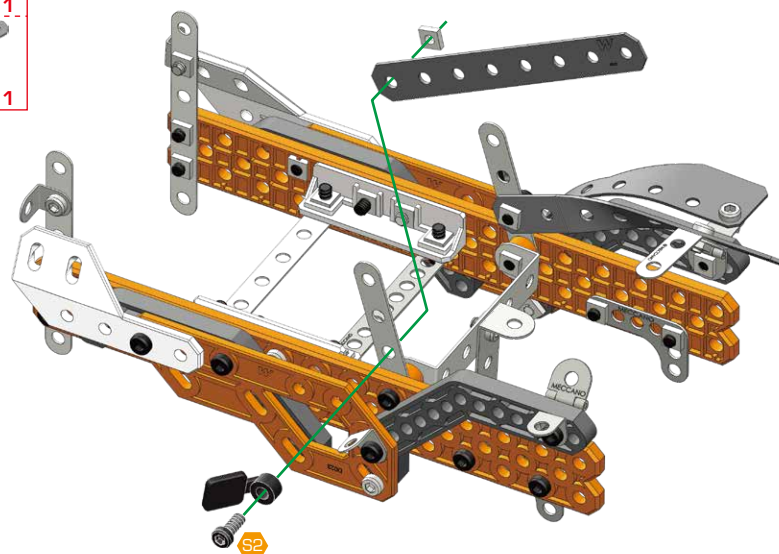
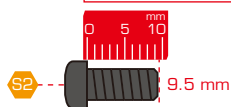
### 20

- S2 x 1
- S3 x 1
- x 1
- x 1
- x 2



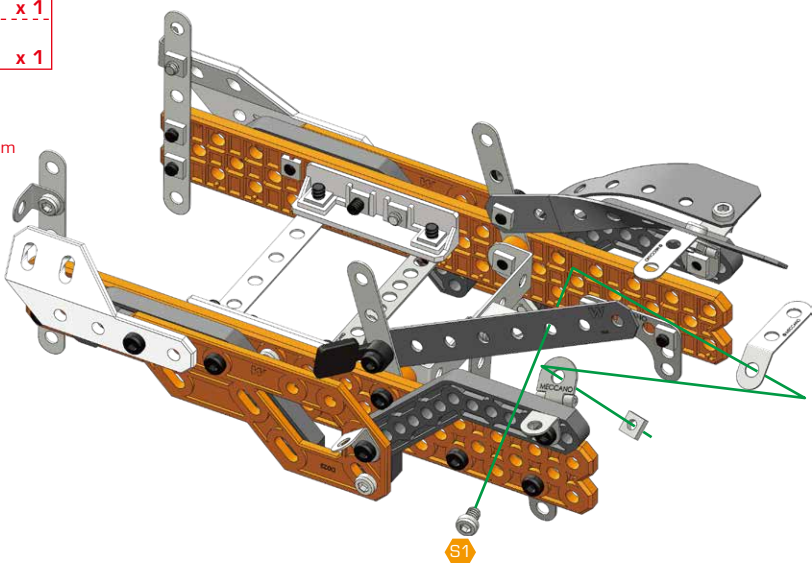
### 21

- S2 x 1
- x 1
- x 1



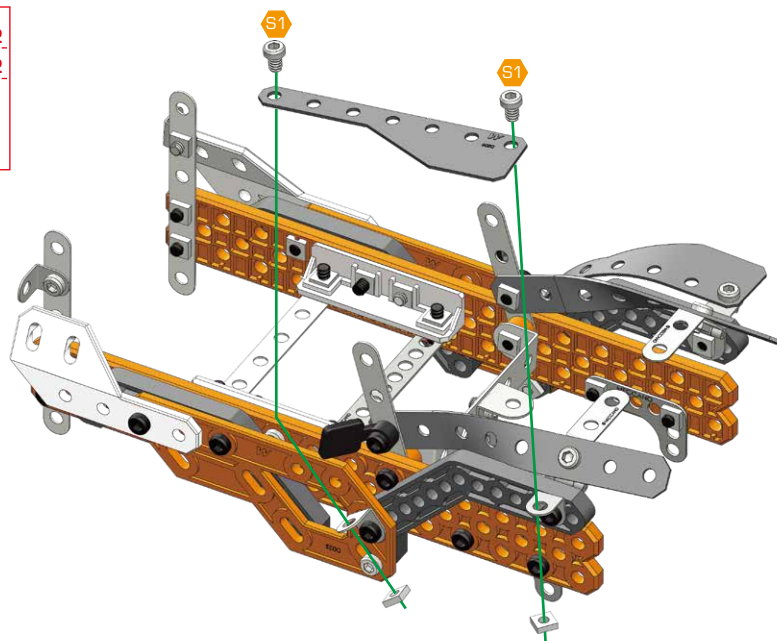
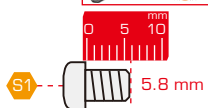
### 22

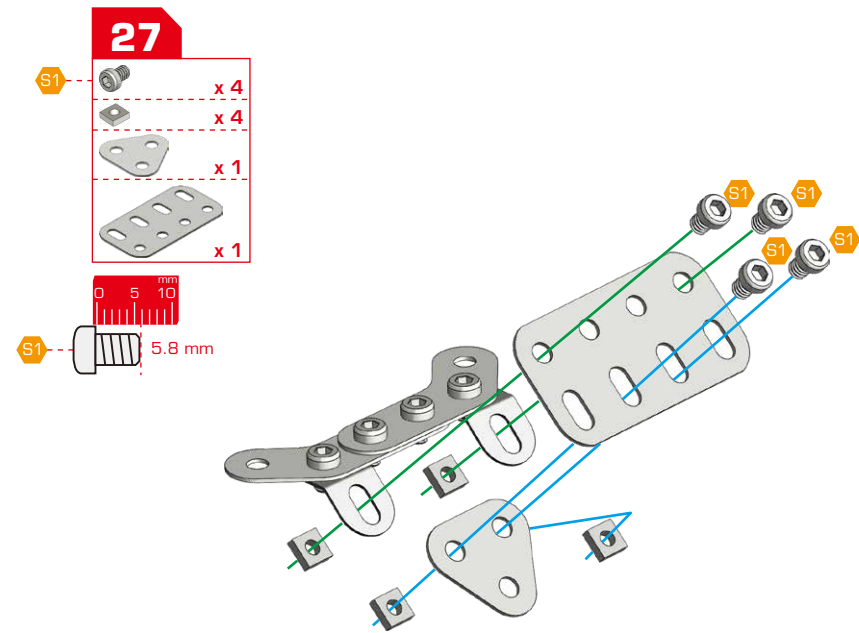
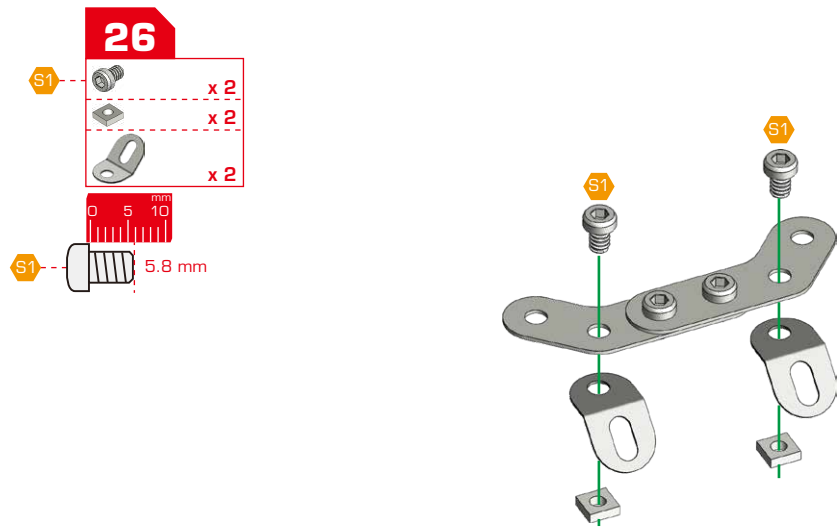
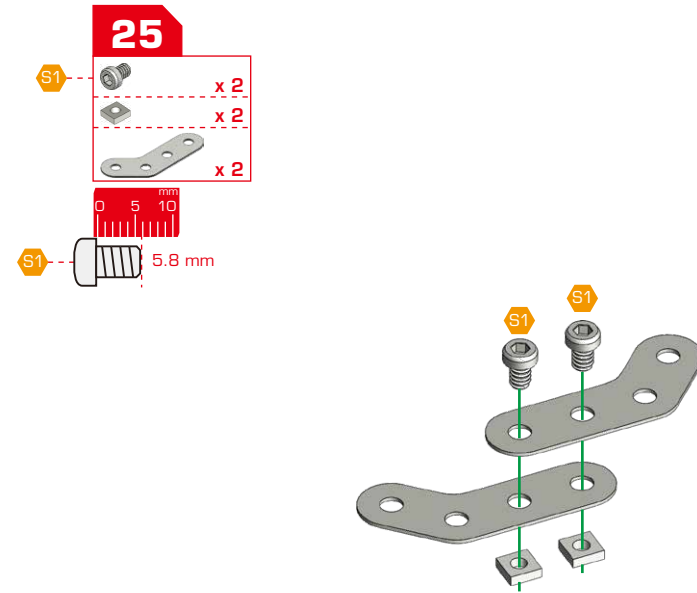
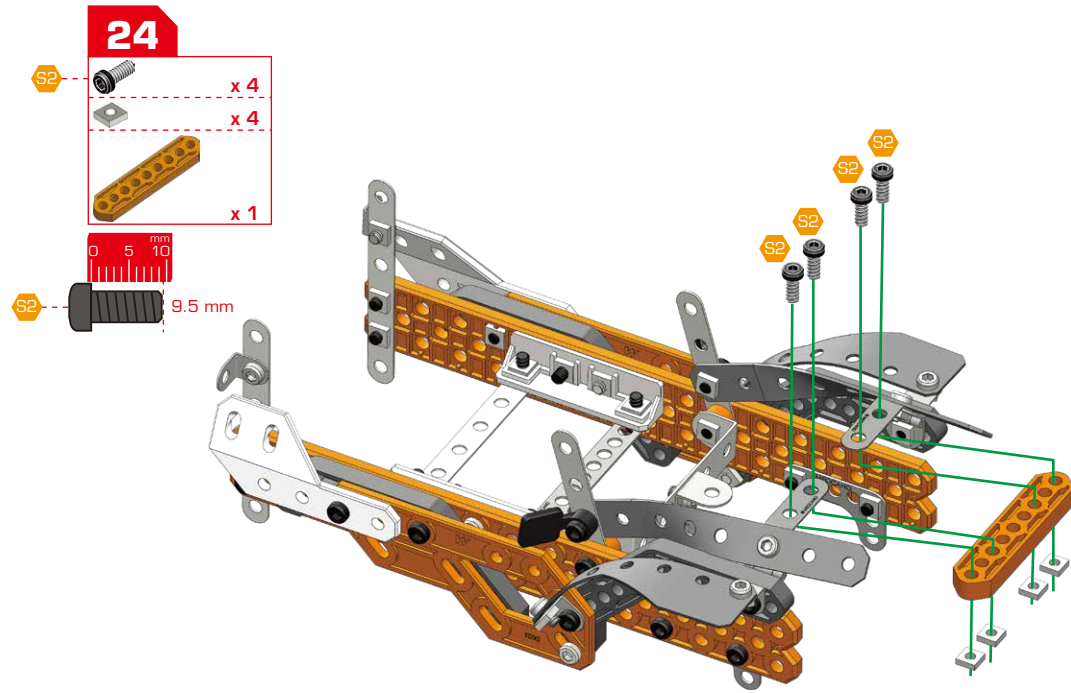
- S1 x 1
- x 1
- x 1



### 23

- S1 x 2
- x 2
- x 1



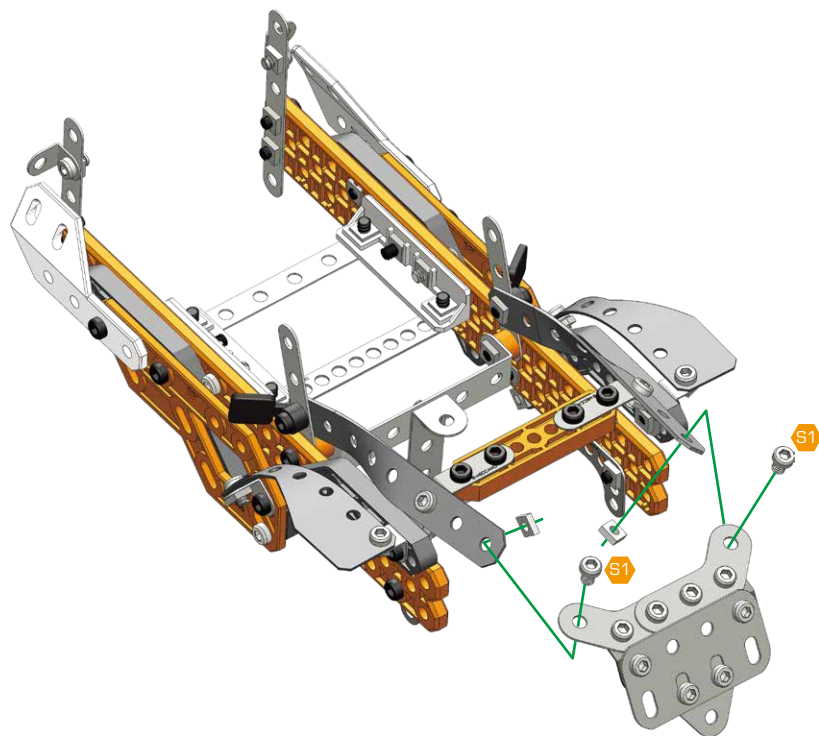


**28** 24+27

- S1 x 2
- x 2



- S1 5.8 mm

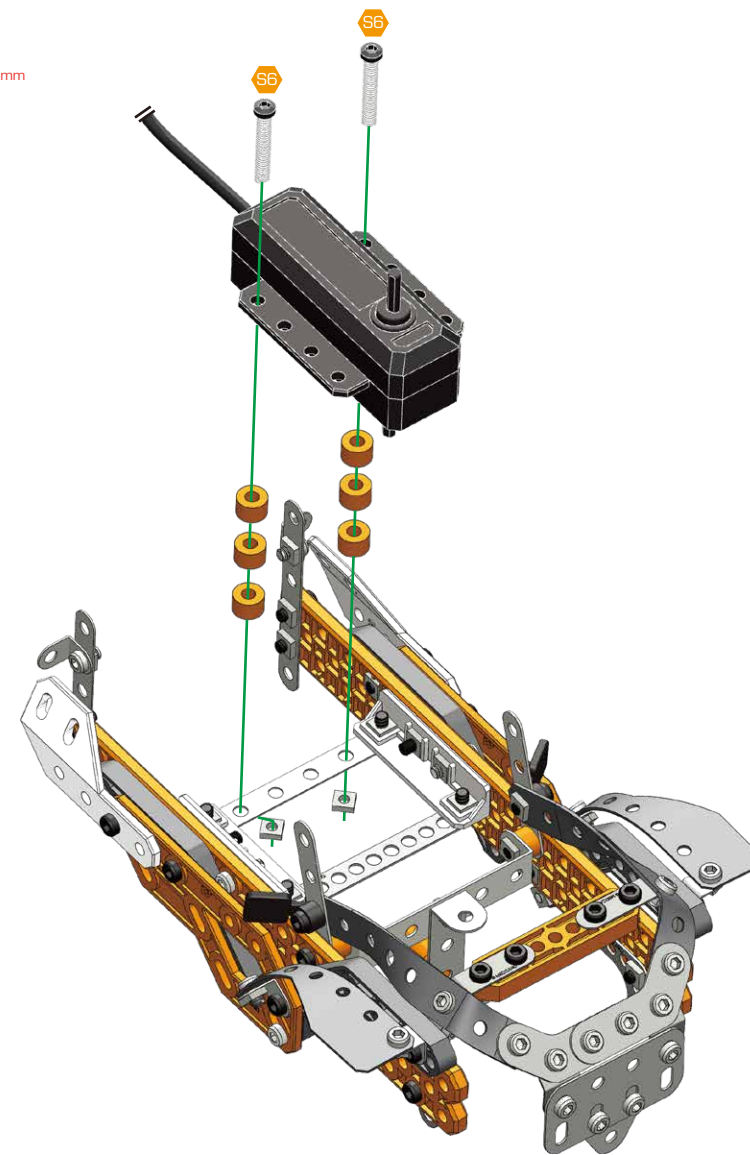


**29**

- S6 x 2
- x 2
- x 6
- x 1



- S6 28 mm

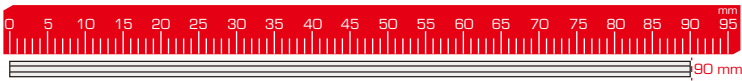
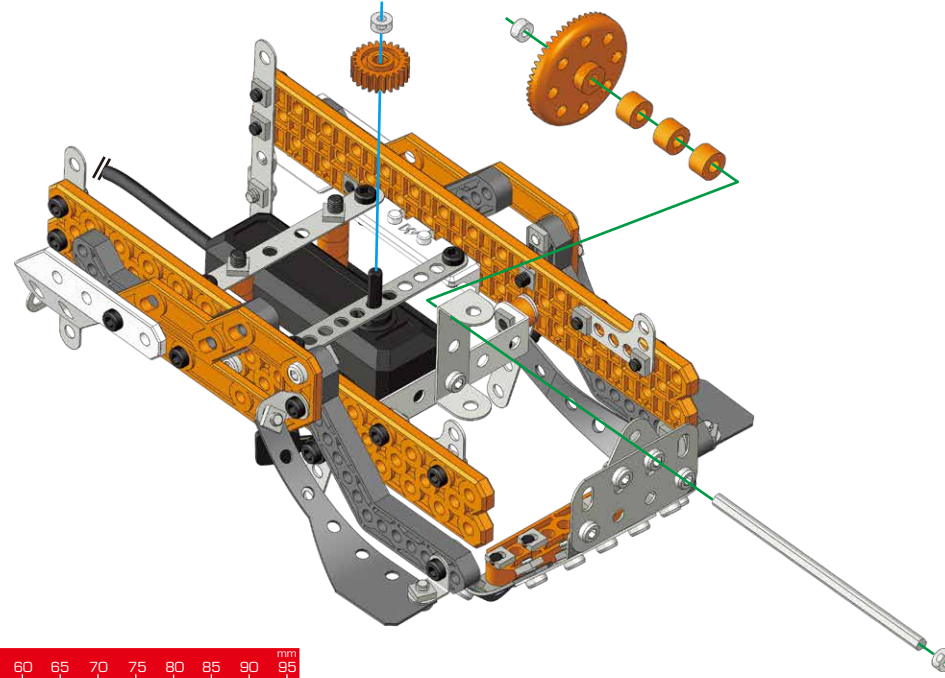




**30**

	x 1
	x 3
	x 3
	x 1
	x 1

**180°**

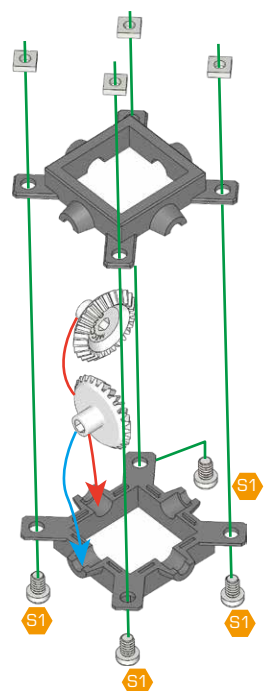


**31**

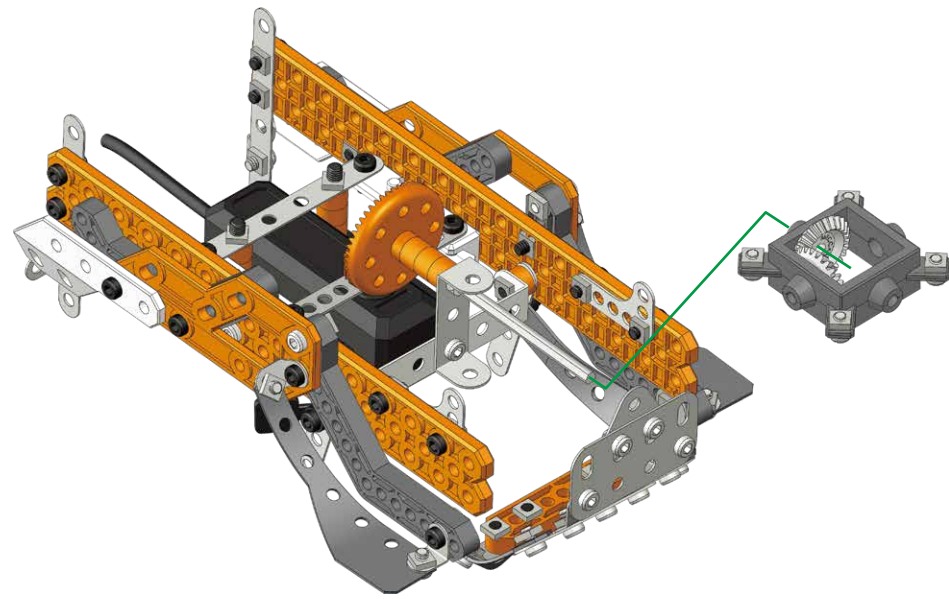
	x 4
	x 4
	x 2
	x 2

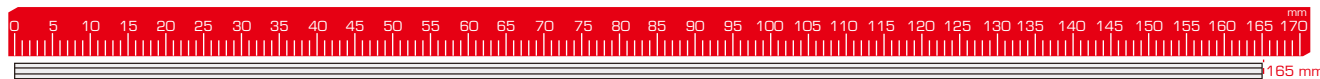
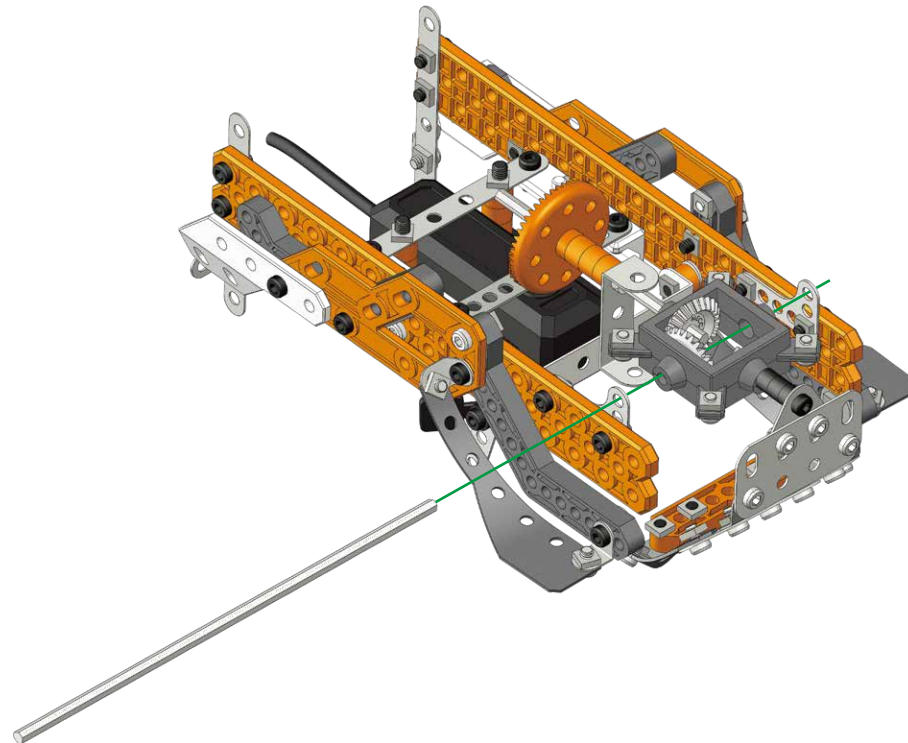
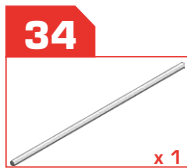
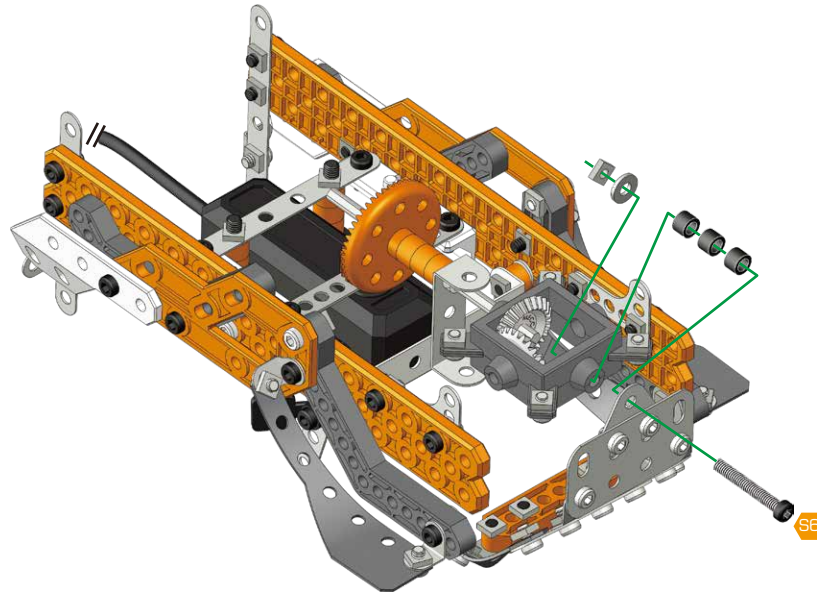
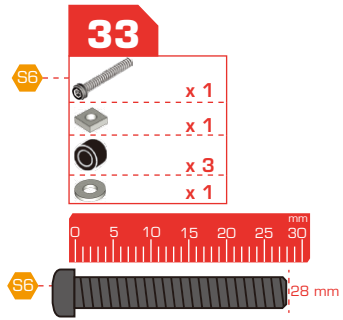


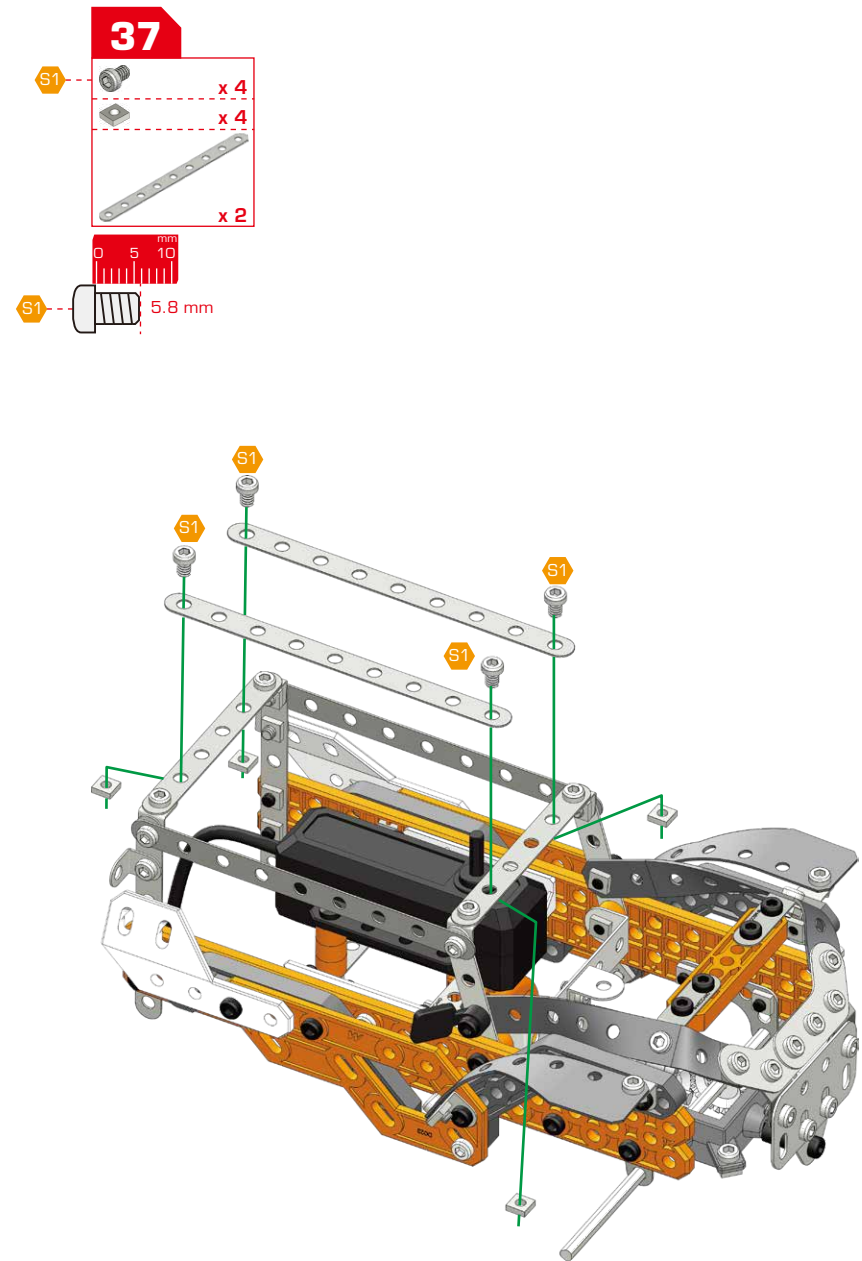
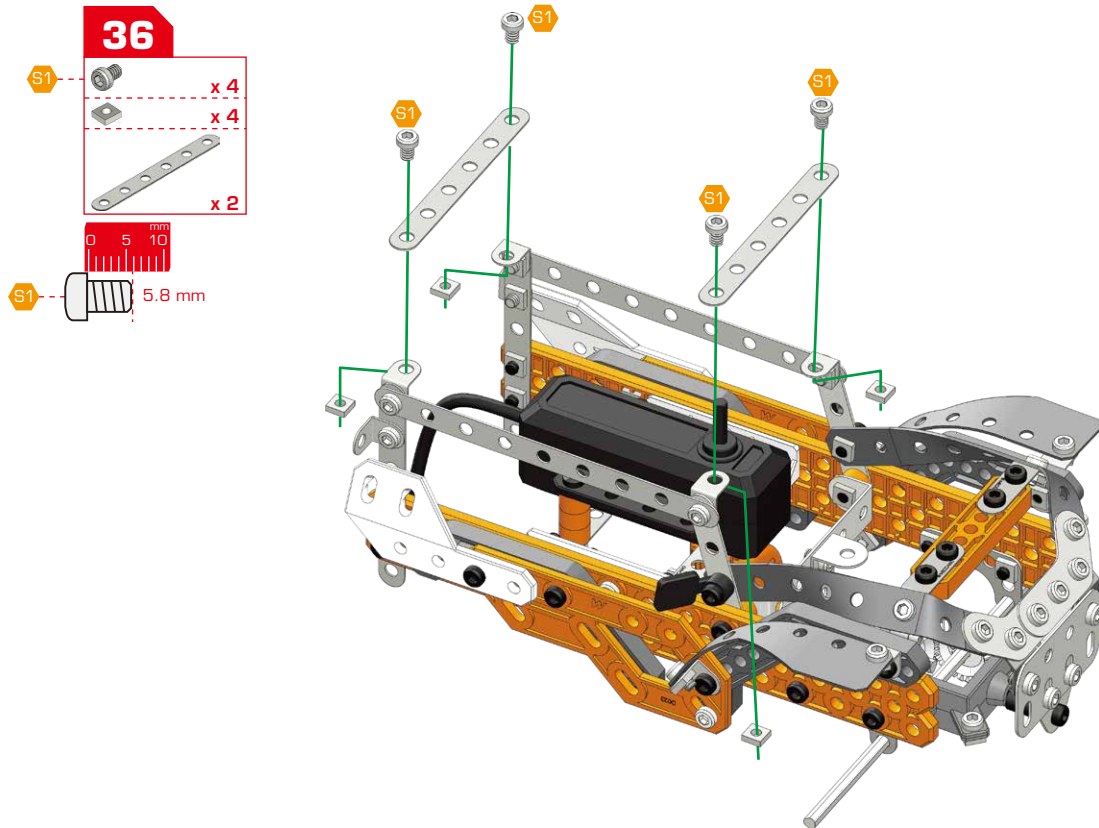
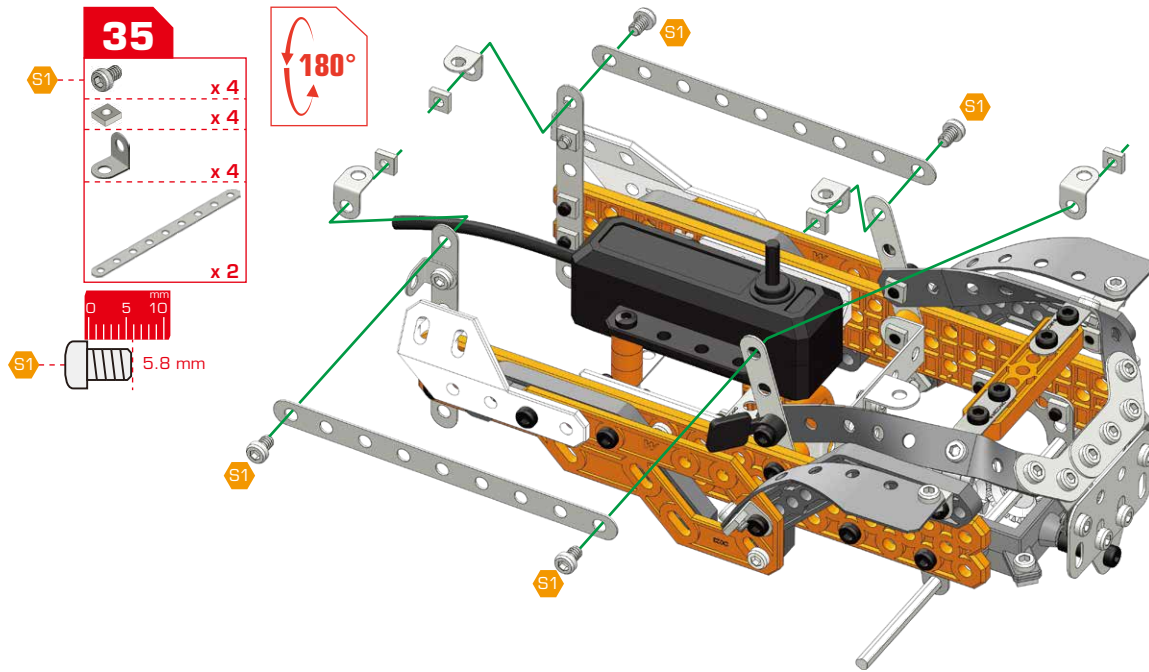
**S1** 5.8 mm



**32** 30+31

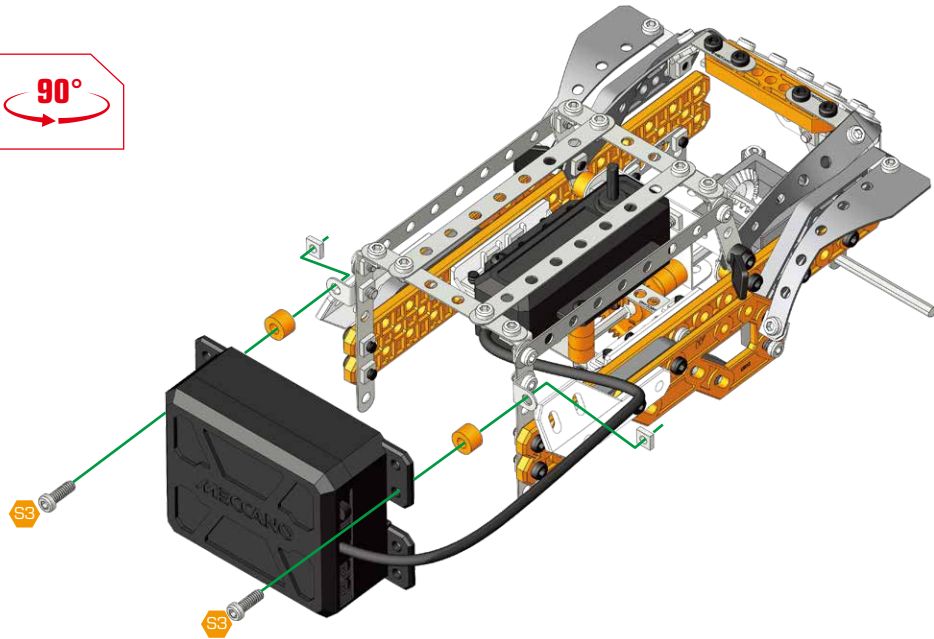
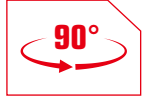









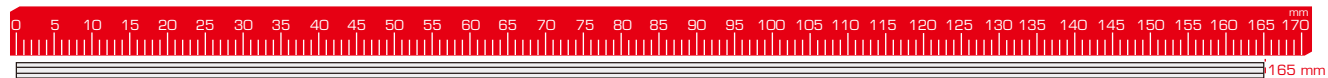
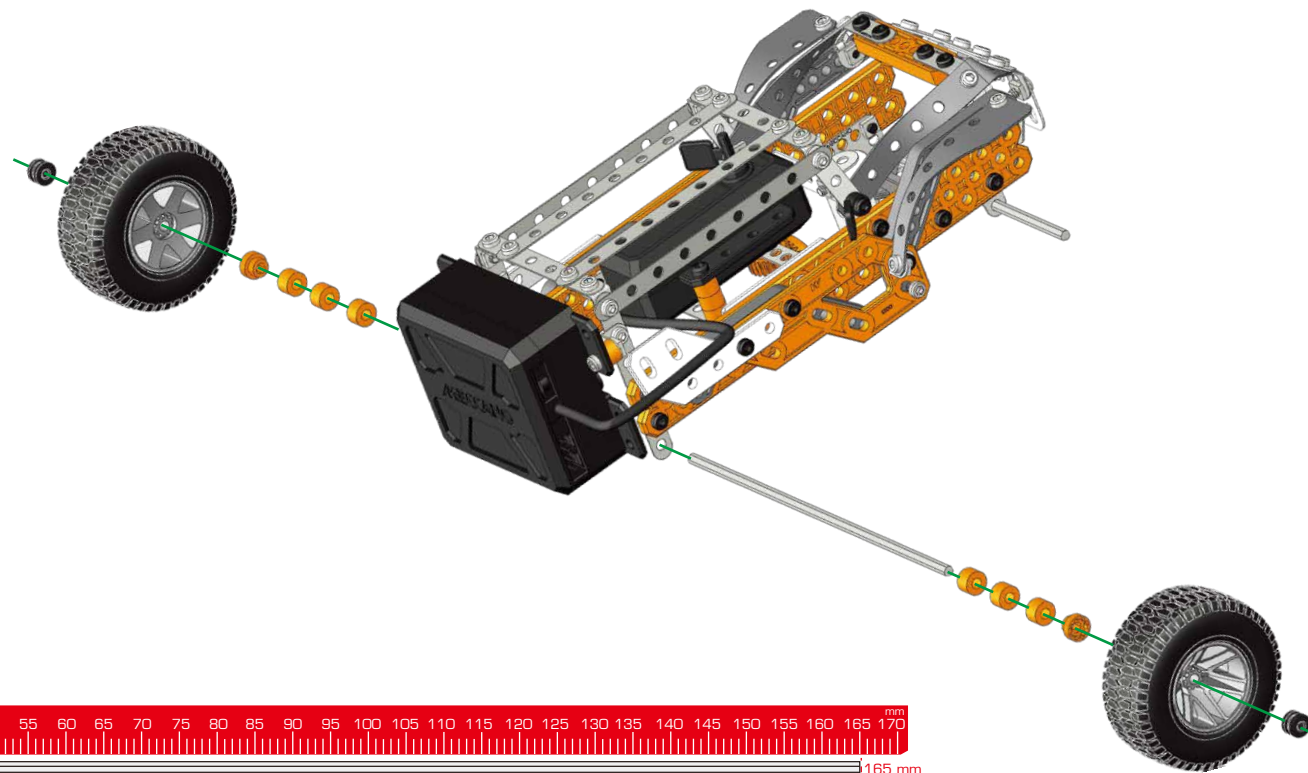
- 38**
-  x 2
  -  x 2
  -  x 2
  -  x 1
-  0 5 10 15 mm
-  12 mm



- 39**
-  x 4
  -  x 4



- 40** 38+39
-  x 1
  -  x 2
  -  x 2
  -  x 6



**41** 39+40

	x 2
	x 2
	x 6

