

1

S2		x 5
		x 5
		x 5
		x 5
		x 5

S2 9.5 mm

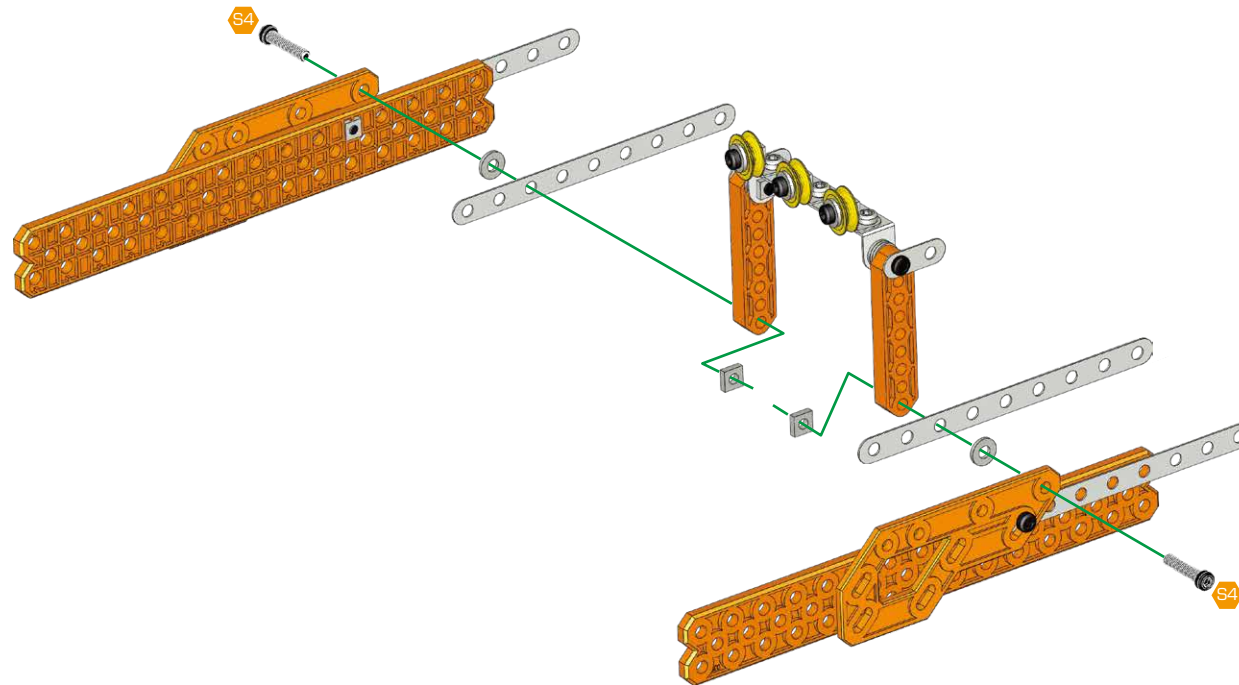
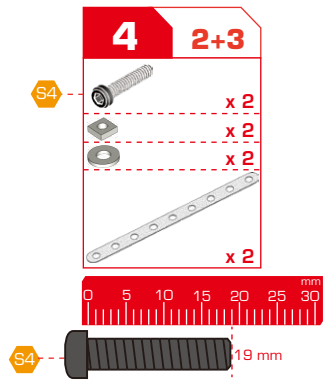
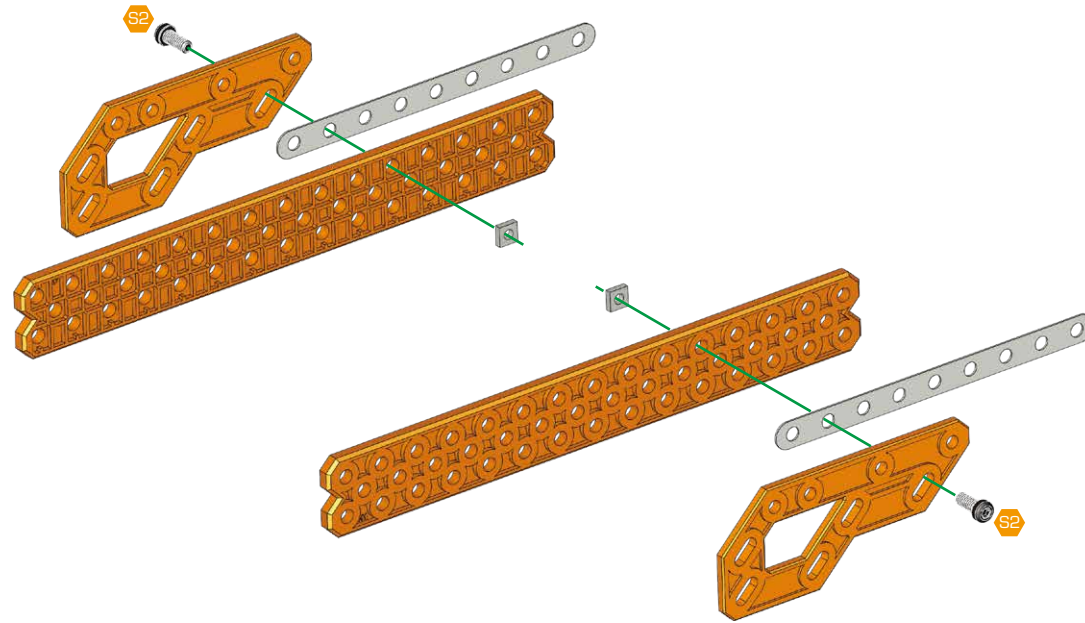
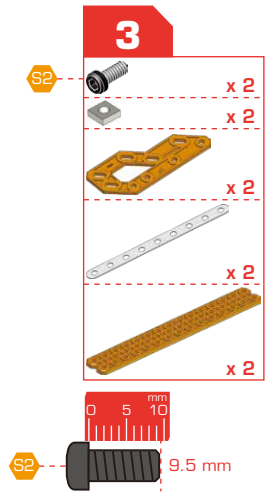
x 5

2



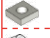



S1		x 3
B1		x 2
		x 5
		x 6
		x 2
		x 1
		x 2

S1 5.8 mm

B1 14.7 mm

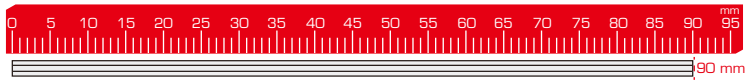
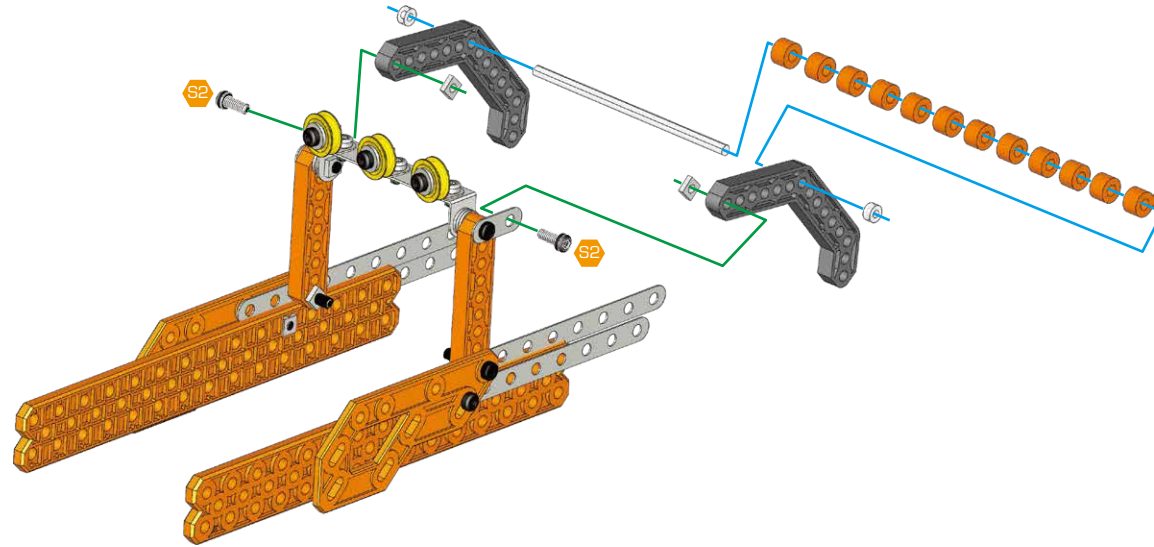


5










-  x 2
-  x 1
-  x 2
-  x 2
-  x 12
-  x 2






-  9.5 mm

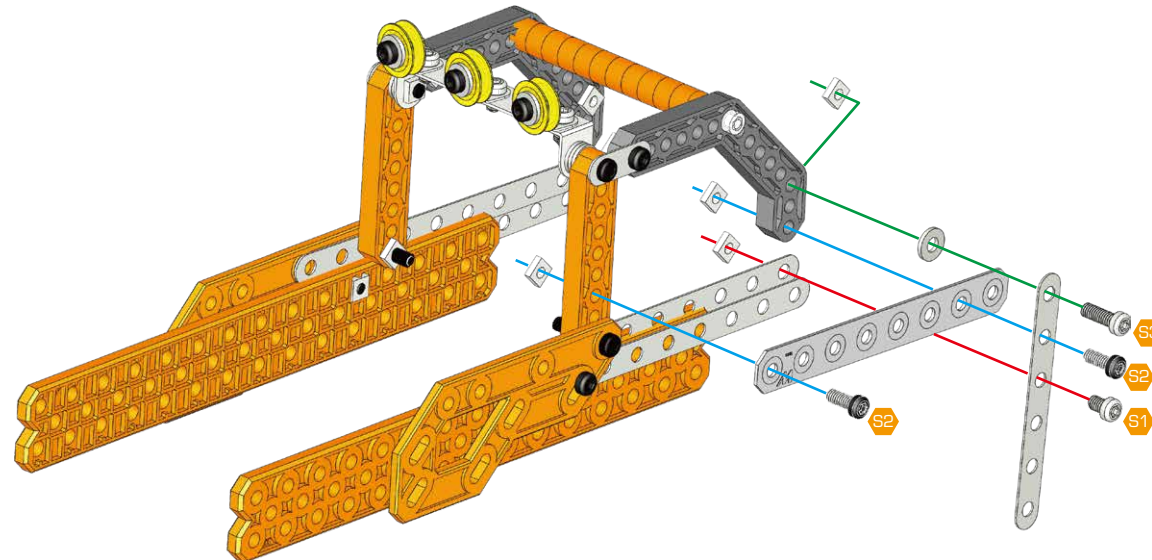


6

-  x 1
-  x 2
-  x 1
-  x 1
-  x 4
-  x 1
-  x 1
-  x 1
-  x 1

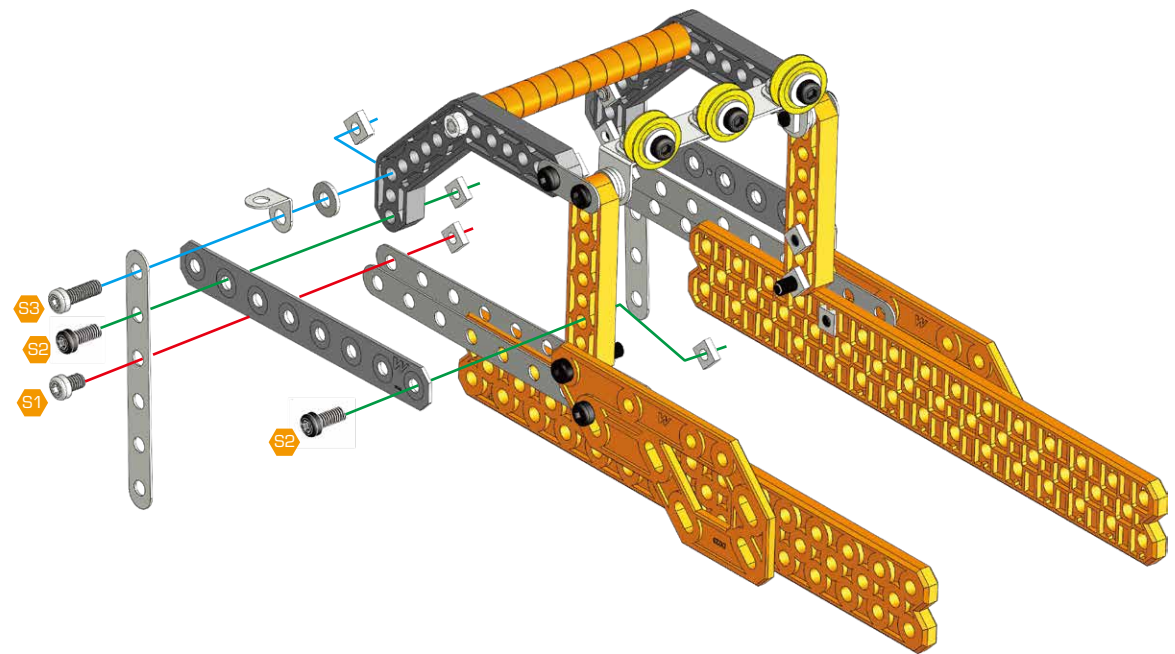
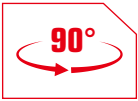


-  5.8 mm
-  9.5 mm
-  12 mm



7

- S1 x 1
- S2 x 2
- S3 x 1
- x 4
- x 1
- x 1
- x 1
- x 1
- x 1



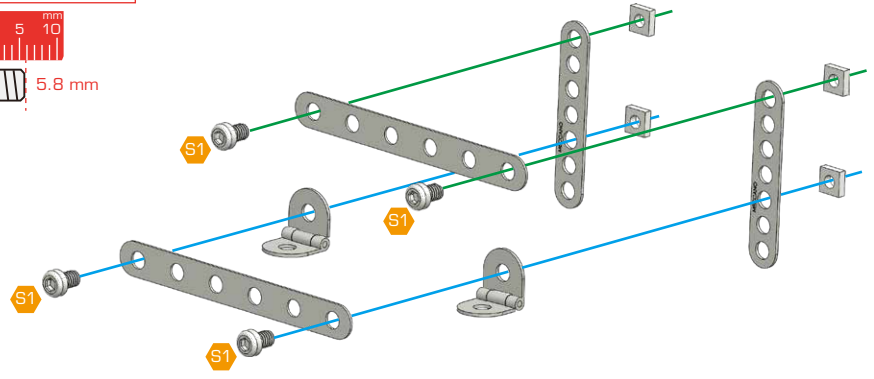
- S1 5.8 mm
- S2 9.5 mm
- S3 12 mm

8

- S1 x 4
- x 4
- x 2
- x 2
- x 2



- S1 5.8 mm

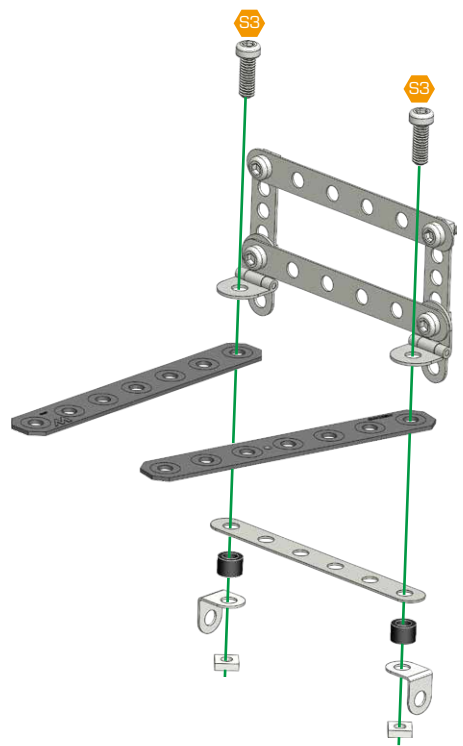


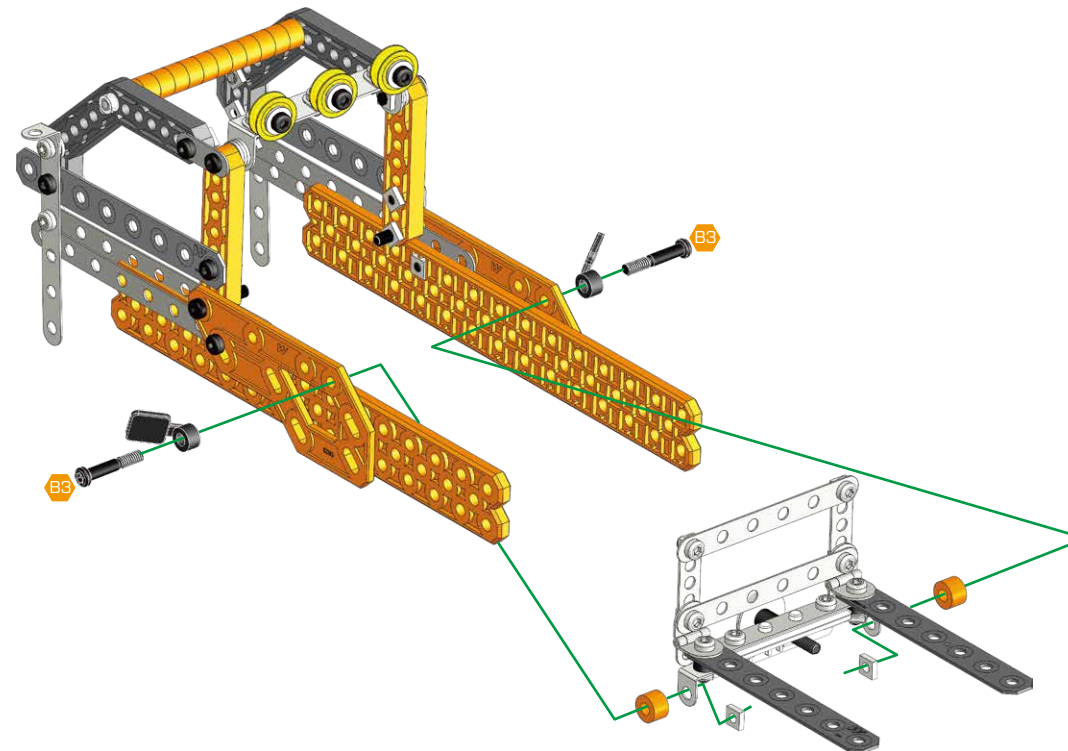
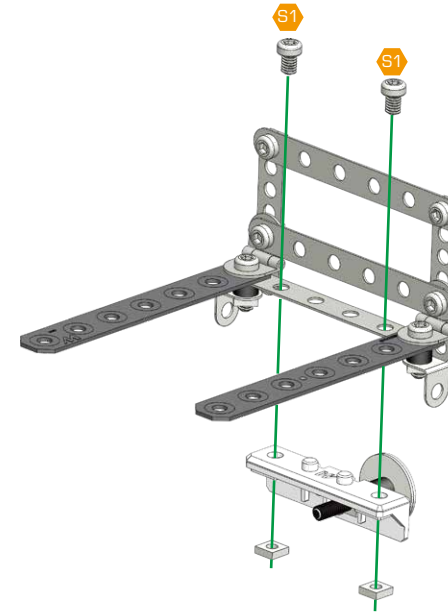
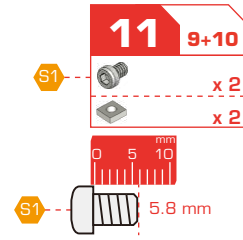
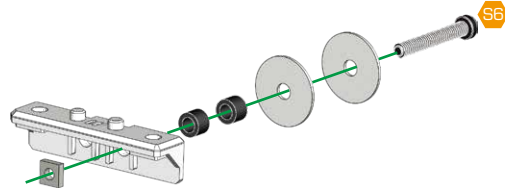
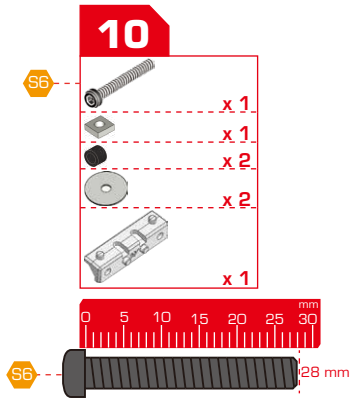
9

- S3 x 2
- x 2
- x 2
- x 2
- x 1
- x 2



- S3 12 mm



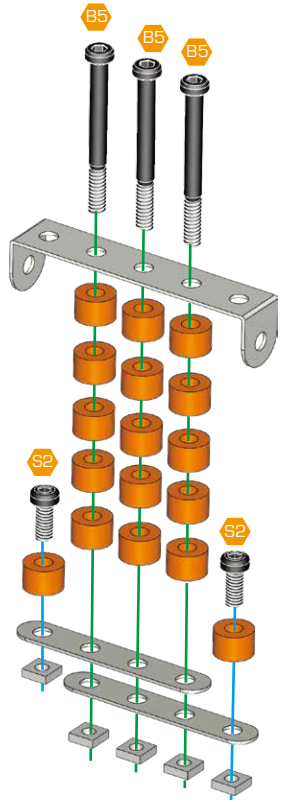


13

- S2 x 2
- B5 x 3
- x 5
- x 17
- x 1
- x 2



- S2 9.5 mm
- B5 38.1 mm

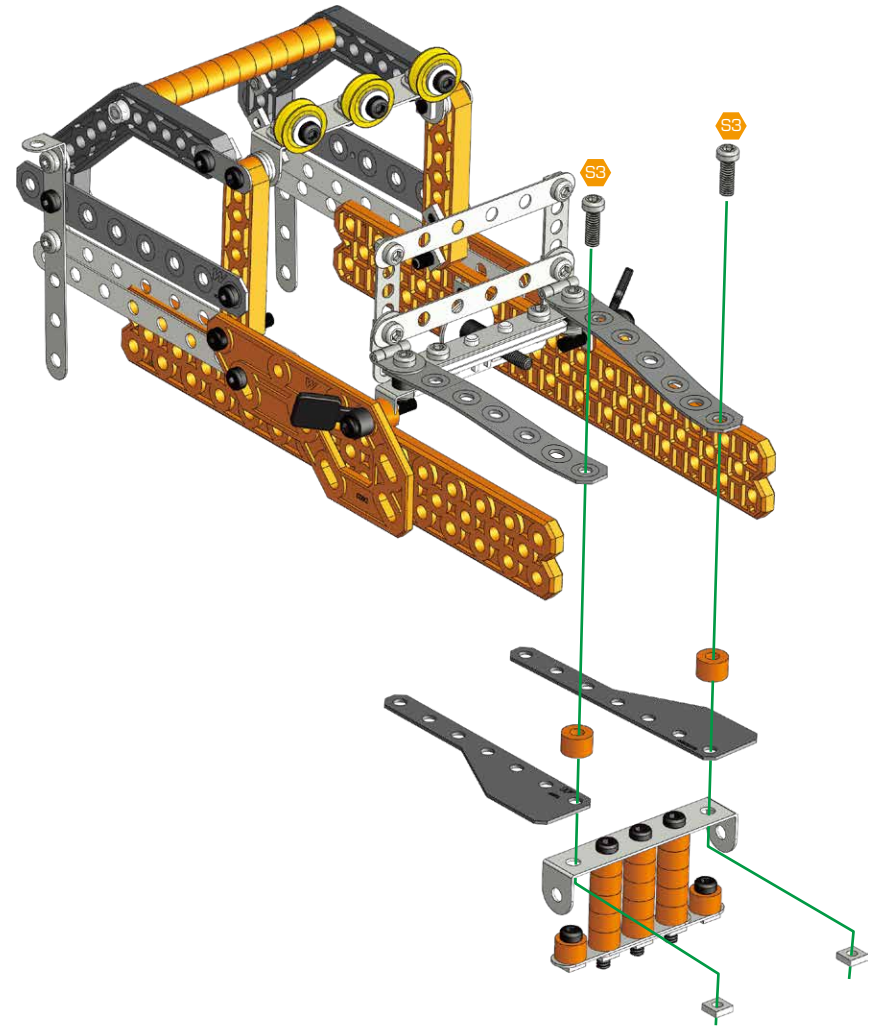


14 12+13

- S3 x 2
- x 2
- x 2
- x 2
- x 2



- S3 12 mm

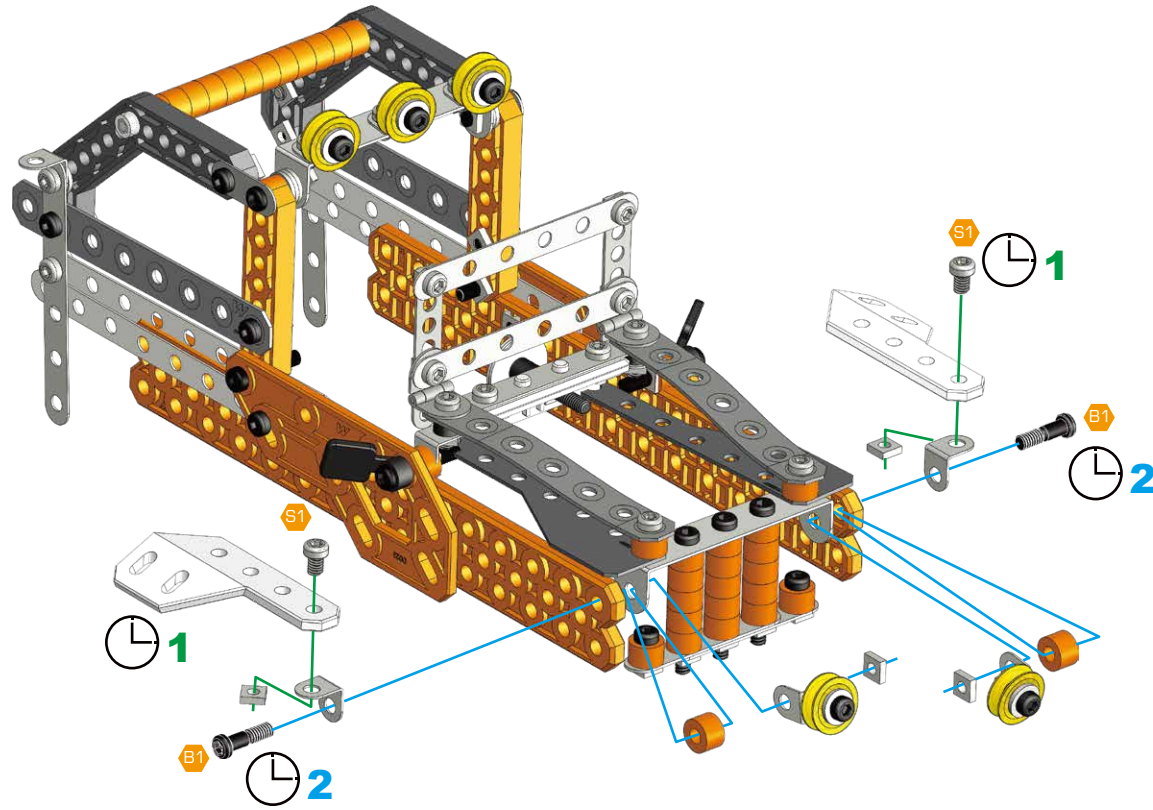


15 1+14

S1	x 2
B1	x 2
	x 4
	x 2
	x 2
	x 1
	x 1

0 5 10 15 20 mm

S1 5.8 mm
B1 14.7 mm

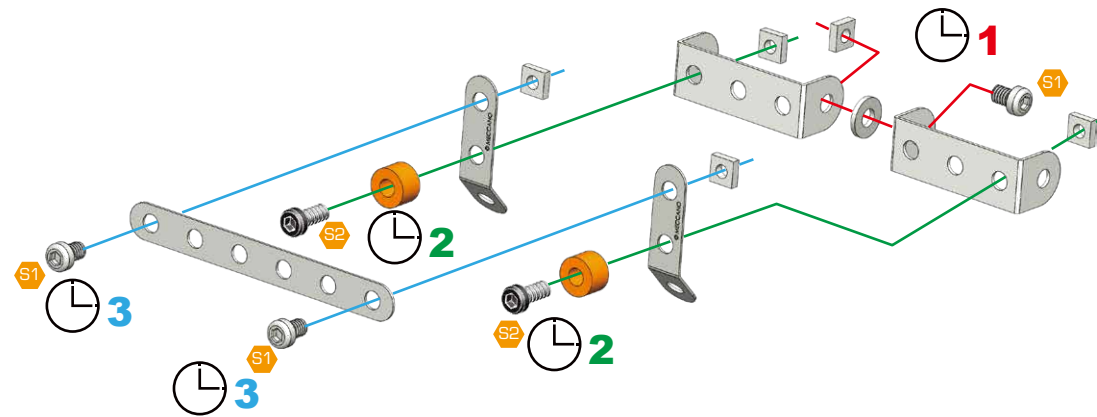


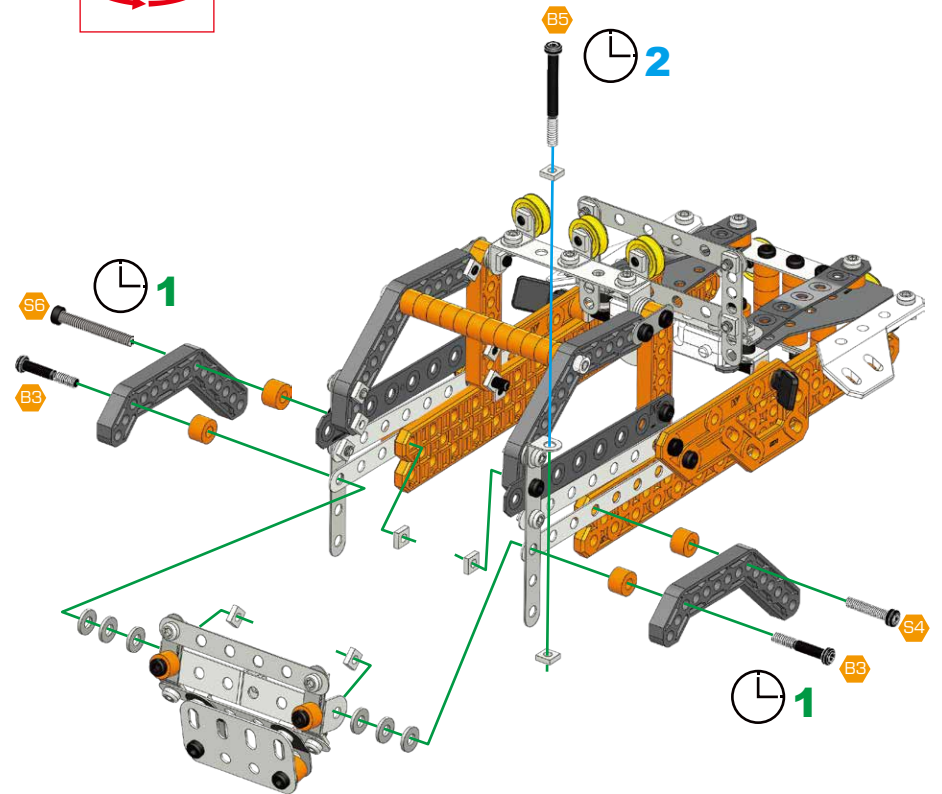
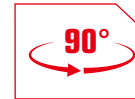
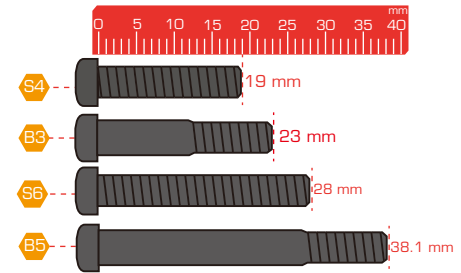
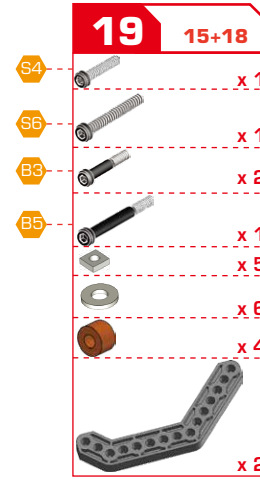
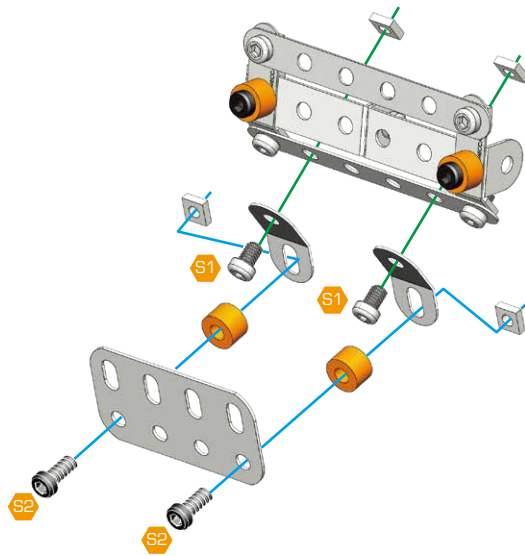
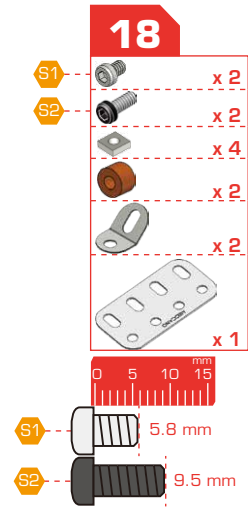
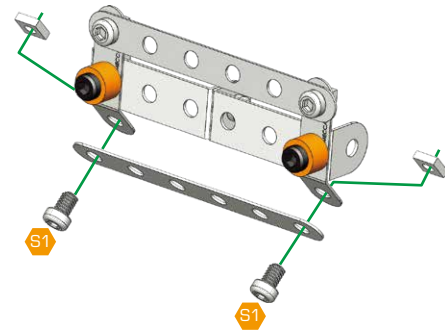
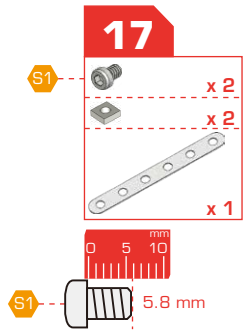
16

S1	x 3
S2	x 2
	x 5
	x 1
	x 2
	x 2
	x 2
	x 1

0 5 10 15 mm

S1 5.8 mm
S2 9.5 mm





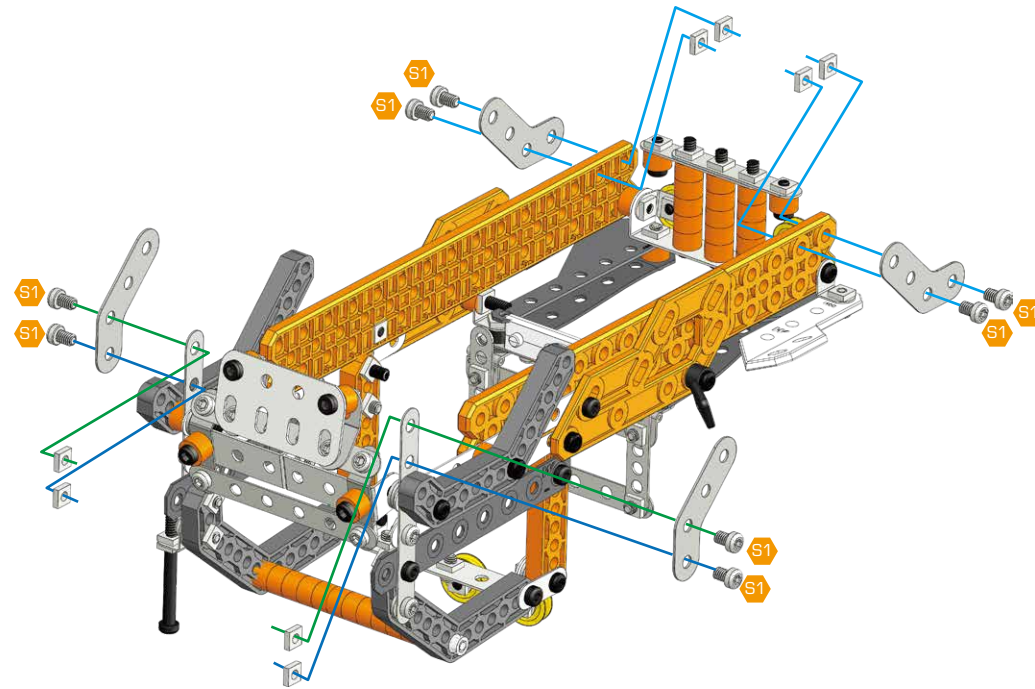
20

- S1 x 8
- x 8
- x 4

180°

0 5 10 mm

S1 5.8 mm



21

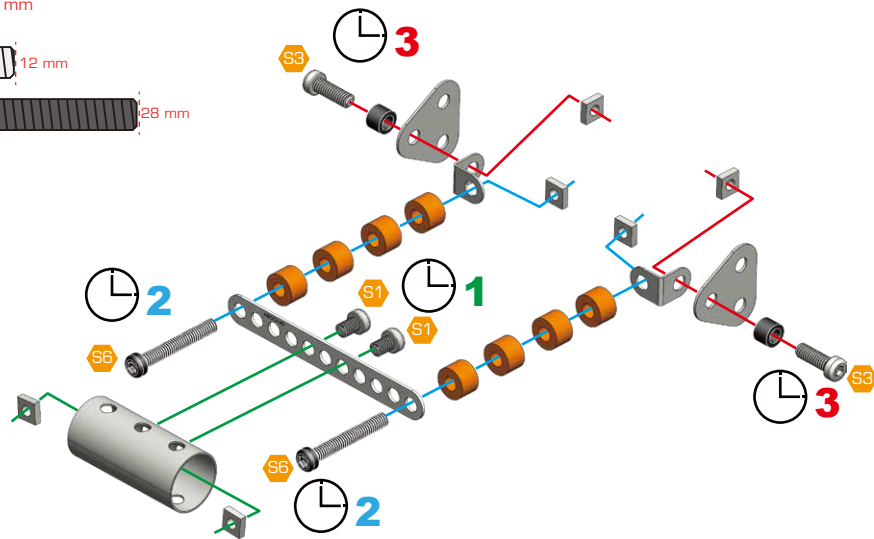
- S1 x 2
- S3 x 2
- S6 x 2
- x 6
- x 2
- x 2
- x 2
- x 8
- x 2
- x 1
- x 1

0 5 10 15 20 25 30 35 40 mm

S1 5.8 mm

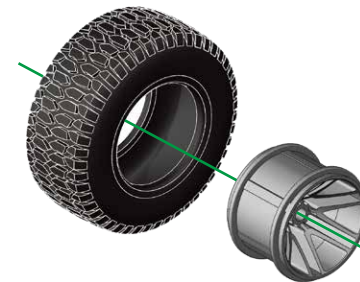
S3 12 mm

S6 28 mm










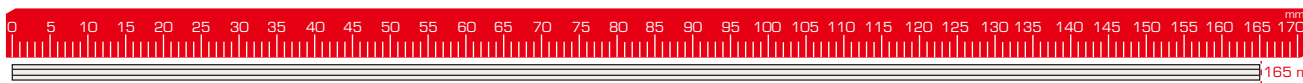
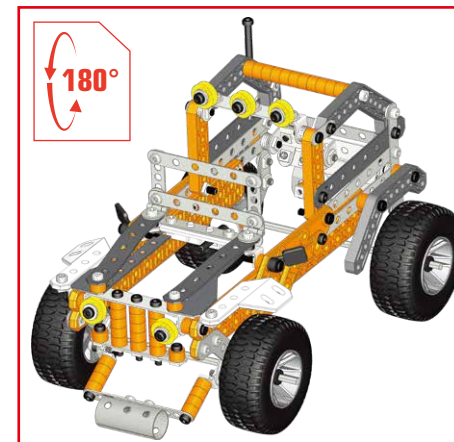
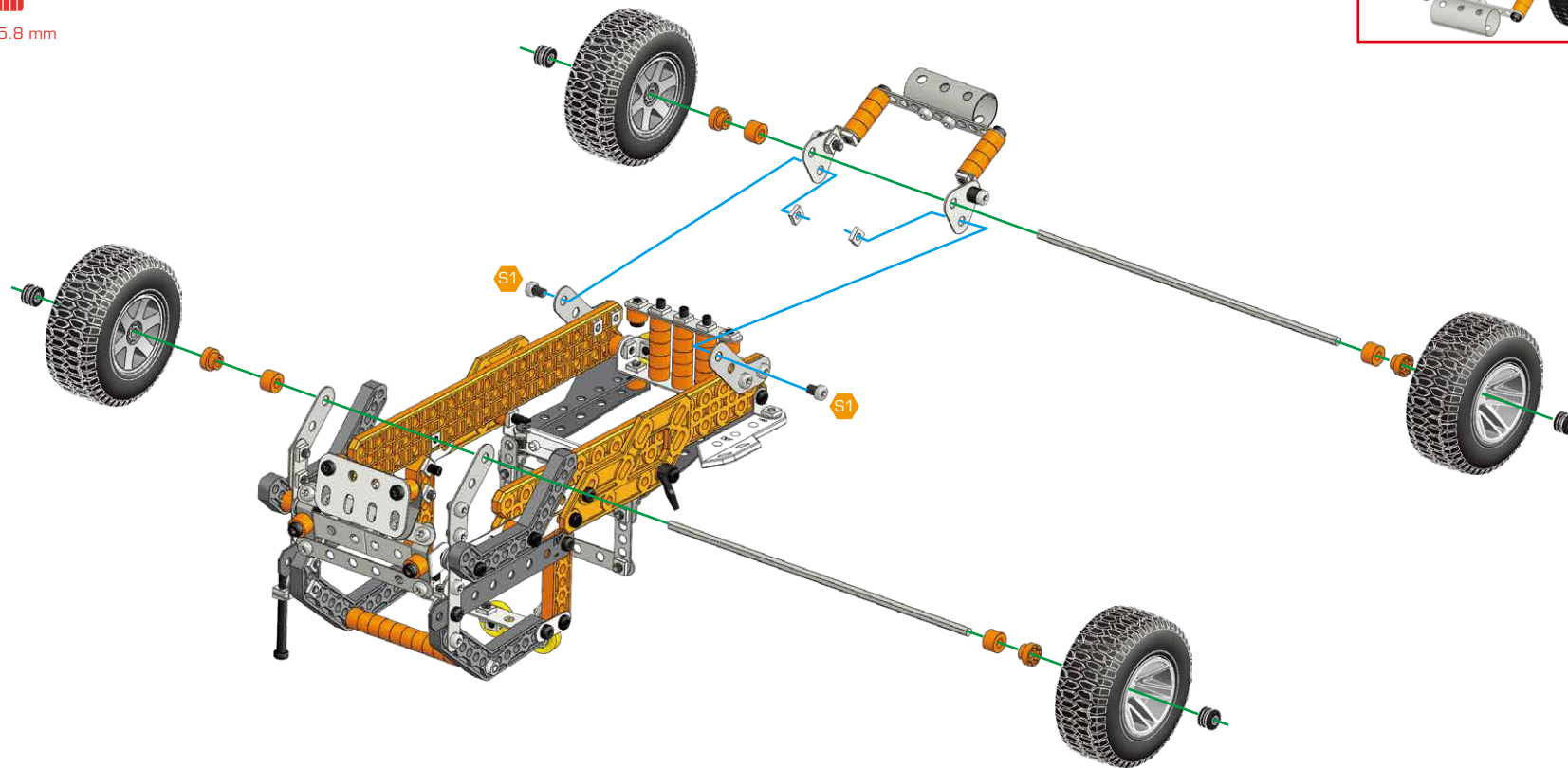
22

- x 4
- x 4



23 20+21+22

-  x 2
 -  x 2
 -  x 4
 -  x 4
 -  x 4
 -  x 2
-  5.8 mm



165 mm