


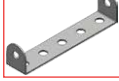


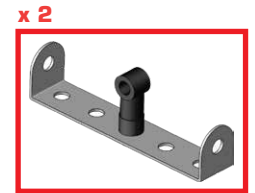
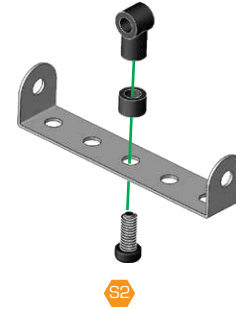










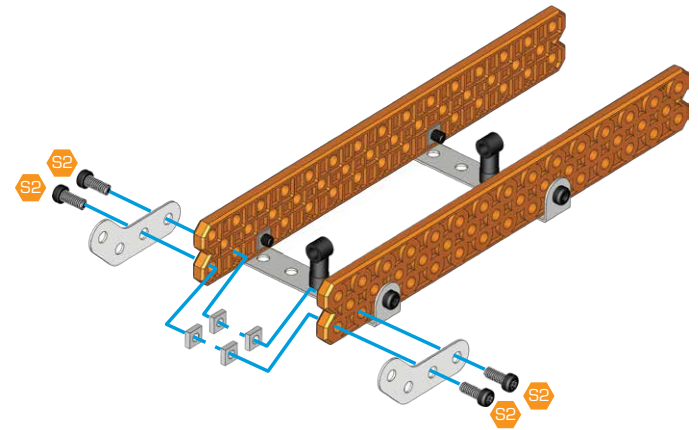


- 1**
-  x 2
 -  x 2
 -  x 2
 -  x 2
-  0 5 10 mm
-  9.5 mm

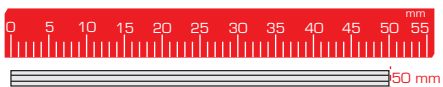
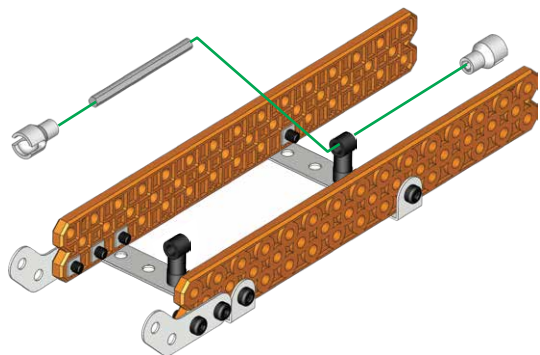
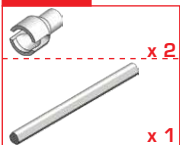


- 2**
-  x 4
 -  x 4
 -  x 2
-  0 5 10 mm
-  9.5 mm
-

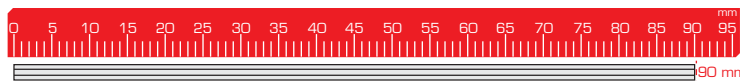
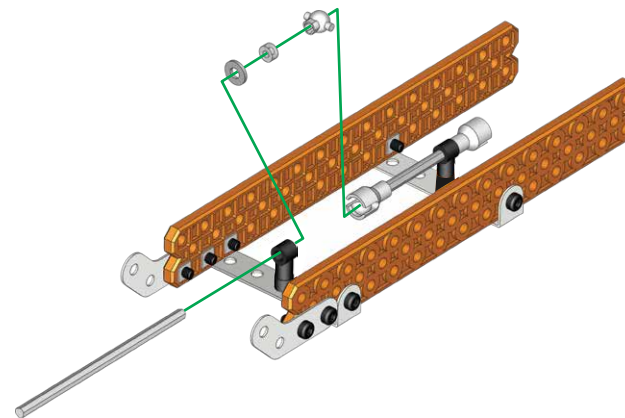
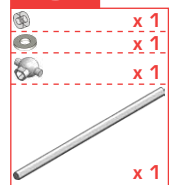
- 3**
-  x 4
 -  x 4
 -  x 2
-  0 5 10 mm
-  9.5 mm



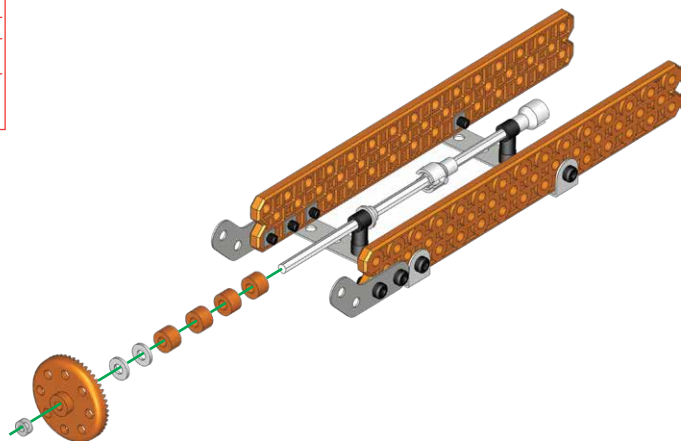
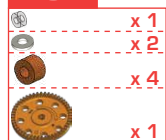
4



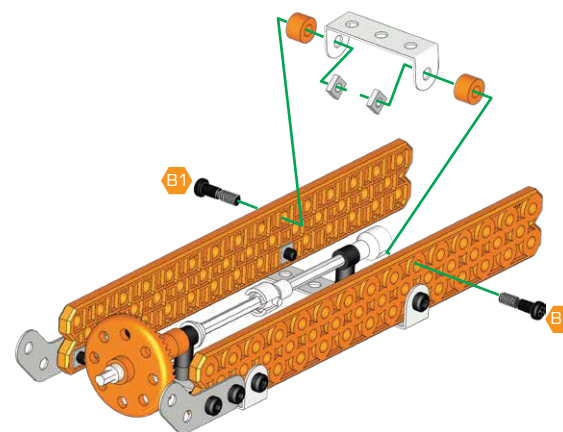
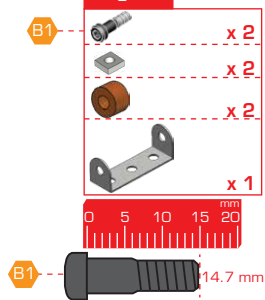
5

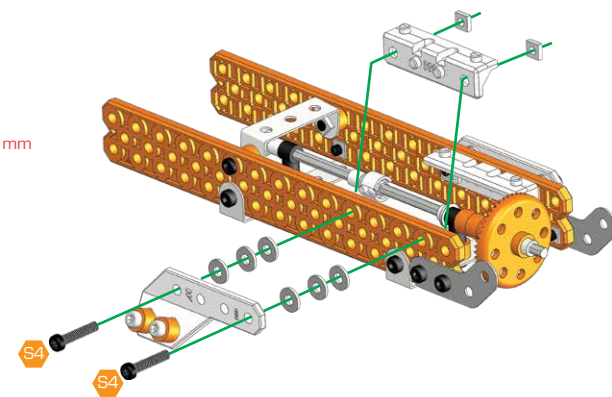
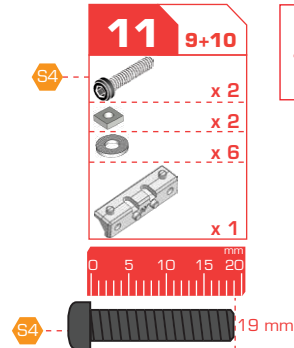
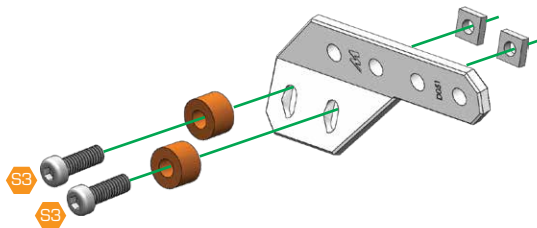
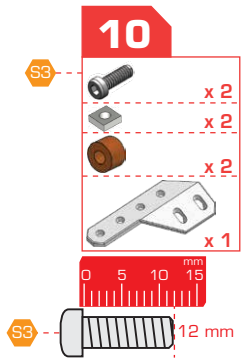
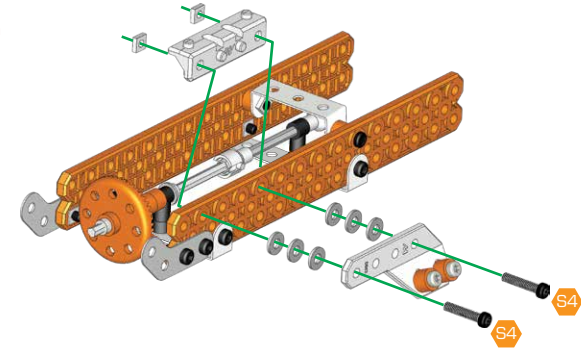
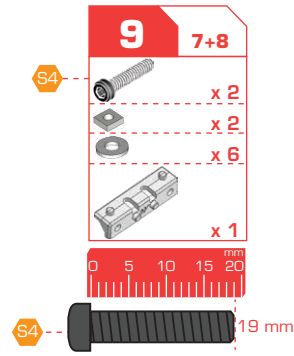
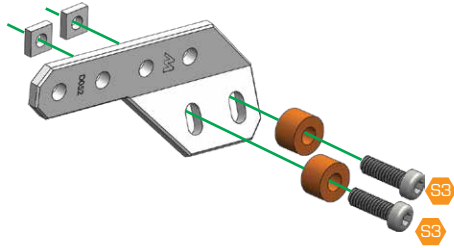
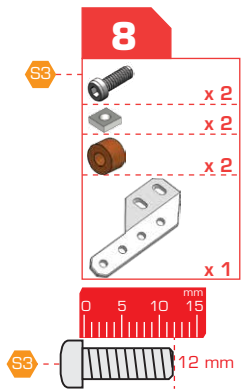


6

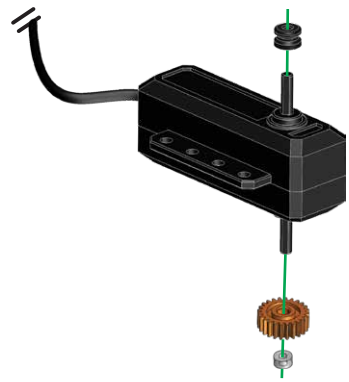






7

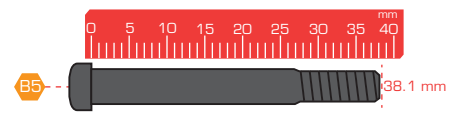
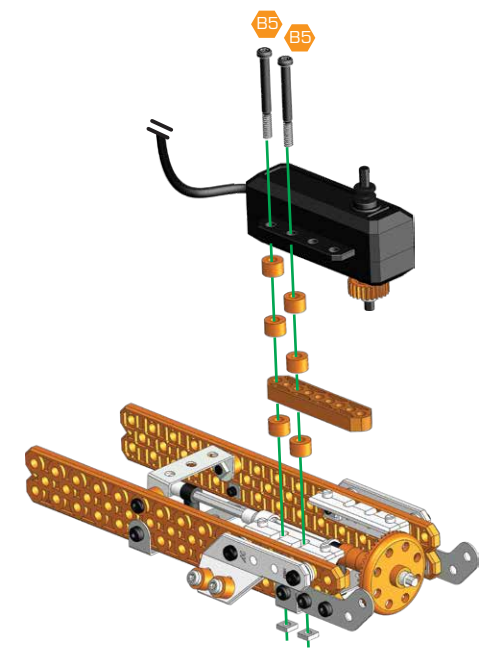









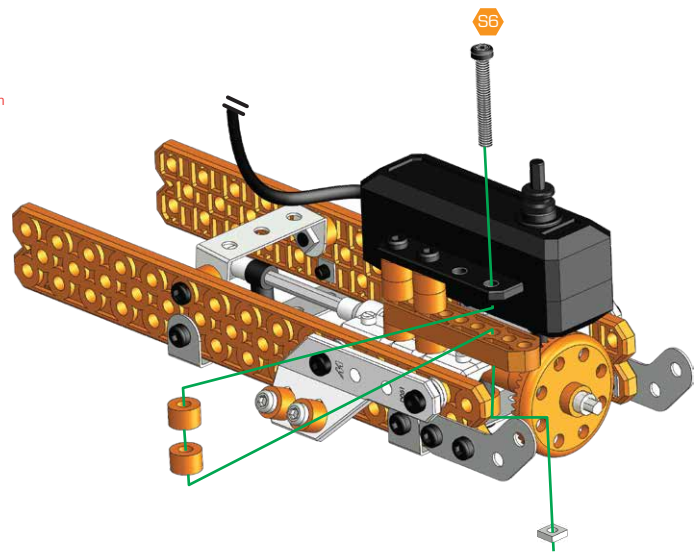
- 12**
-  x 1
 -  x 1
 -  x 1
 -  x 1










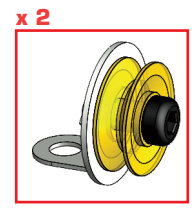
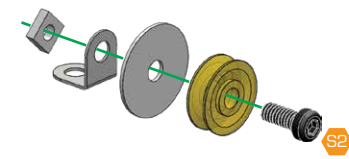
- 13** 11+12
-  B5 x 2
 -  x 2
 -  x 6
 -  x 1



- 14**
-  S6 x 1
 -  x 1
 -  x 2
-  0 5 10 15 20 25 30 mm
-  S6 28 mm



- 15**
-  S2 x 2
 -  x 2
 -  x 2
 -  x 2
 -  x 2
-  0 5 10 mm
-  S2 9.5 mm

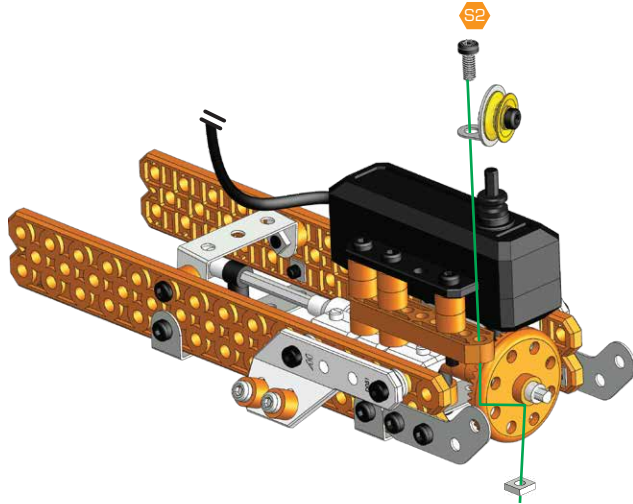


16 14+15

- S2 x 1
- x 1

mm
0 5 10

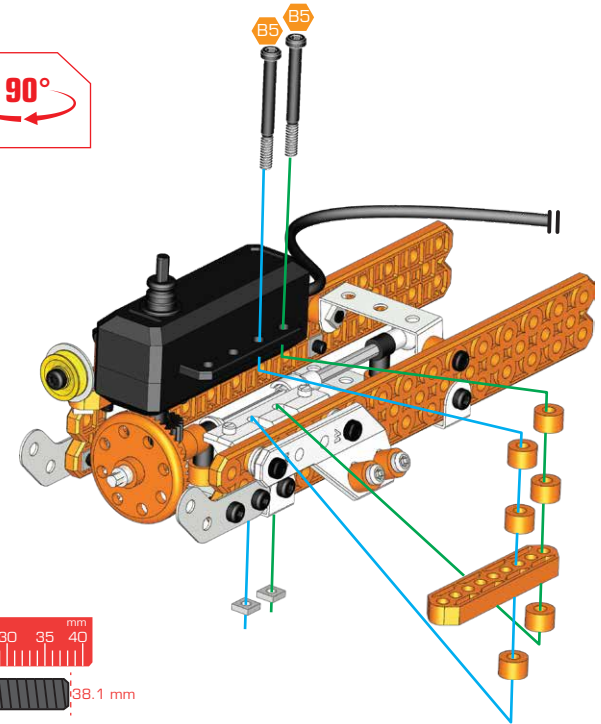
S2 9.5 mm



17

- B5 x 2
- x 2
- x 6
- x 1

90°



mm
0 5 10 15 20 25 30 35 40

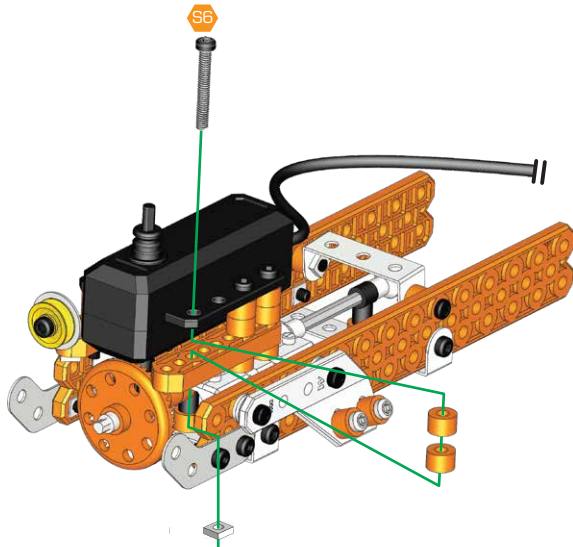
B5 38.1 mm

18

- S6 x 1
- x 1
- x 2

mm
0 5 10 15 20 25 30

S6 28 mm

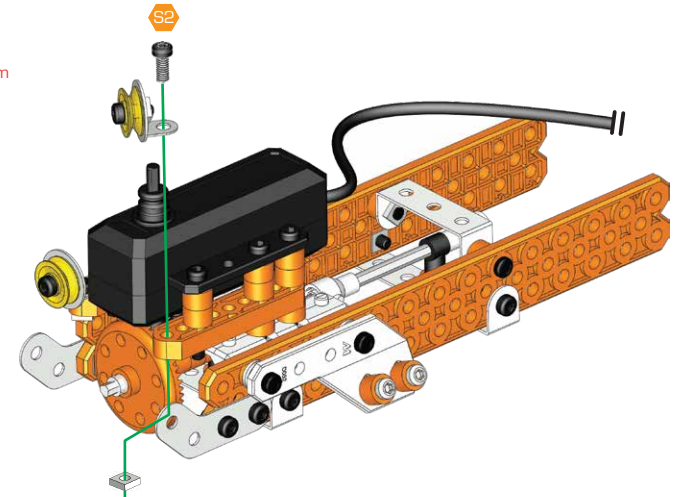


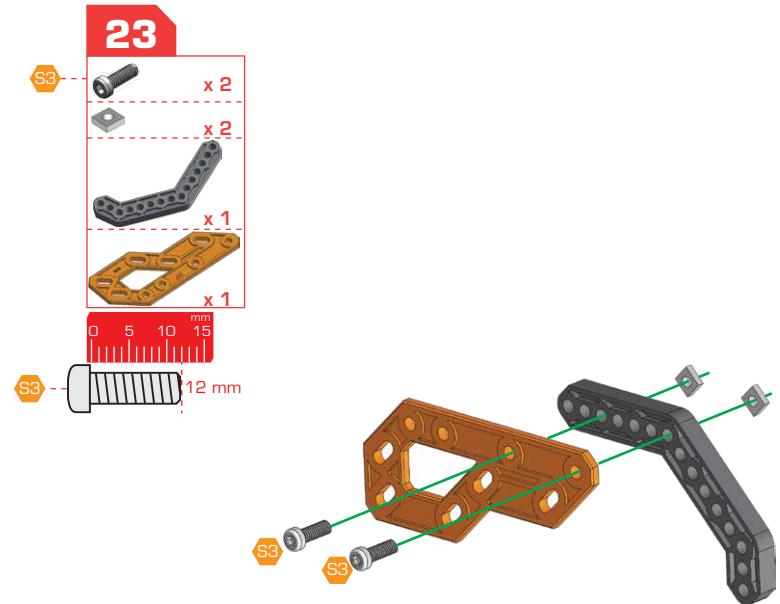
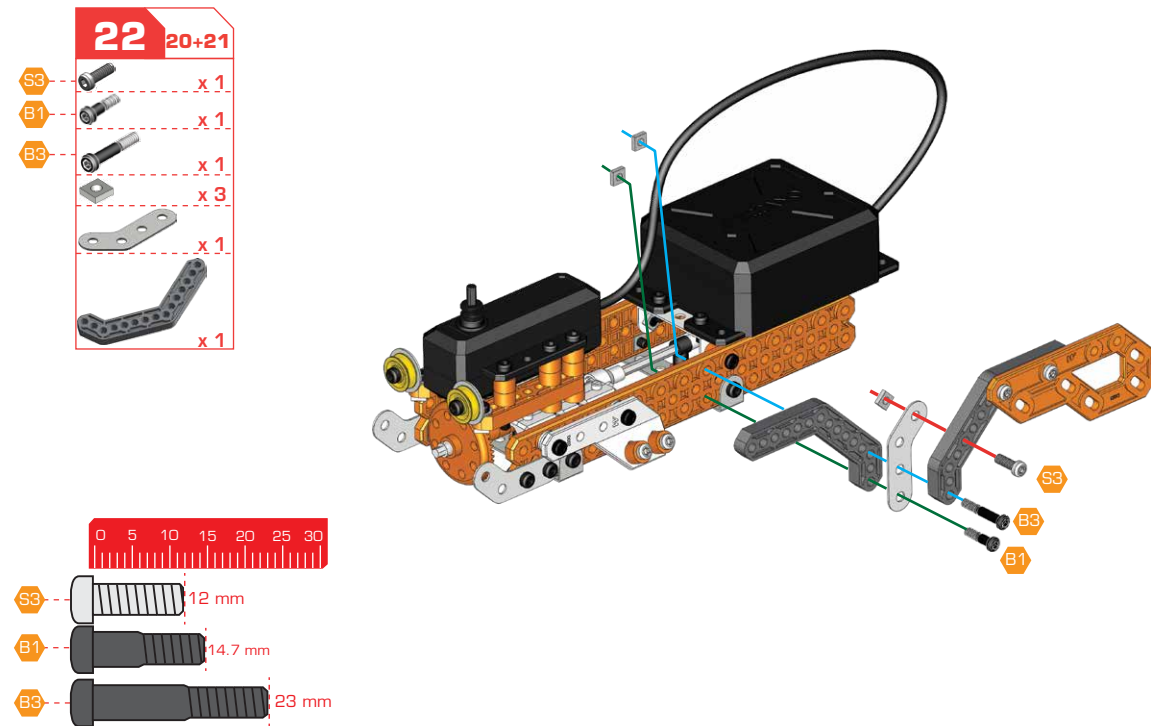
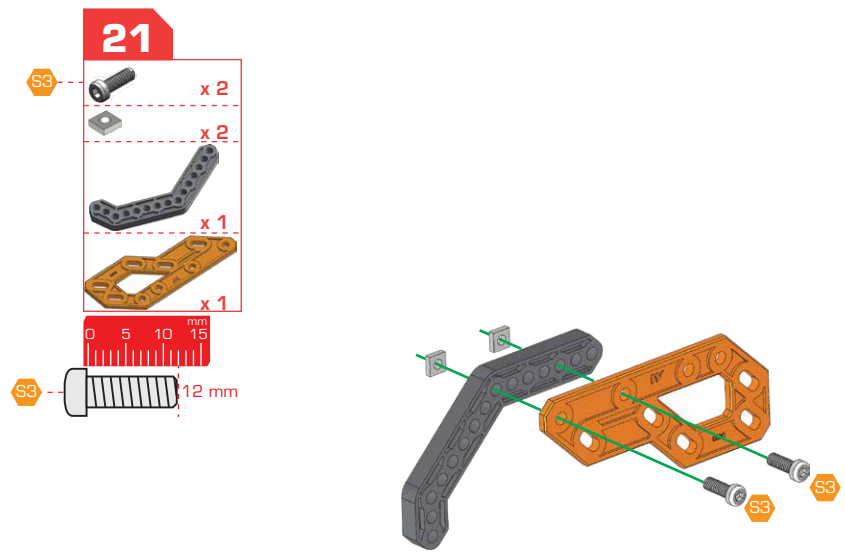
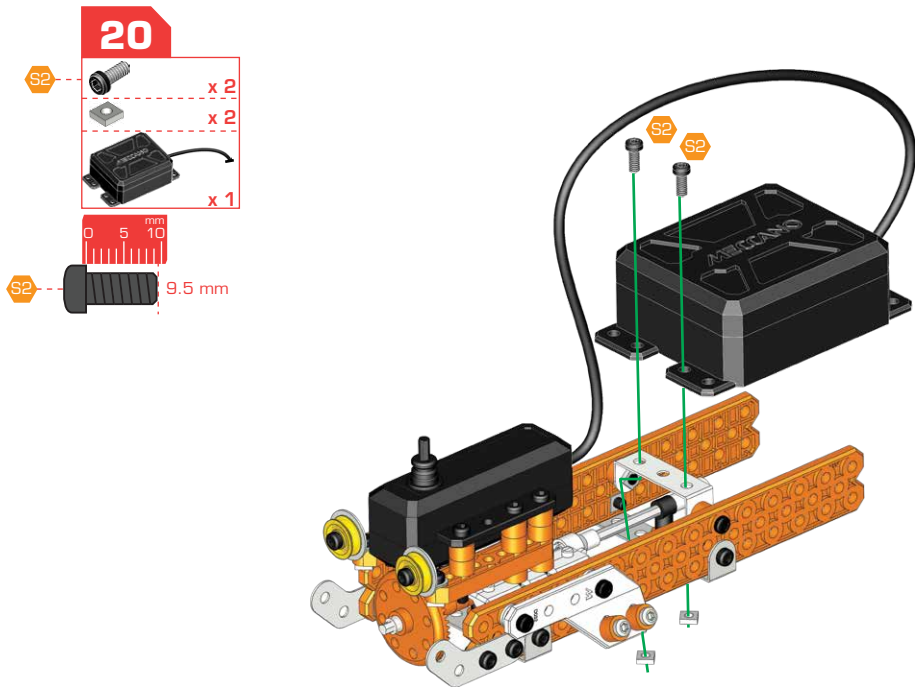
19 15+18

- S2 x 1
- x 1

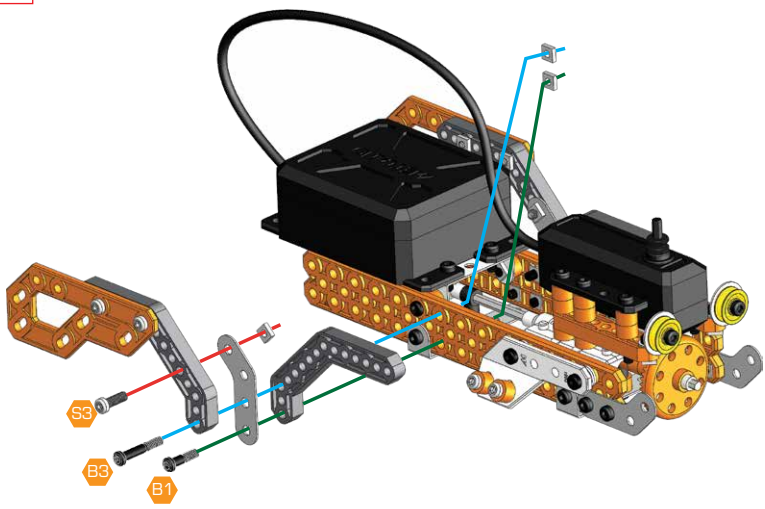
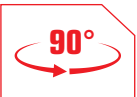
mm
0 5 10

S2 9.5 mm



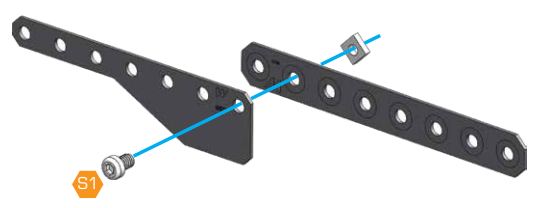
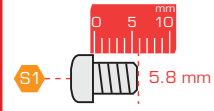


- 24** 22+23
- S3 x 1
 - B1 x 1
 - B3 x 1
 - x 3
 - x 1
 - x 1

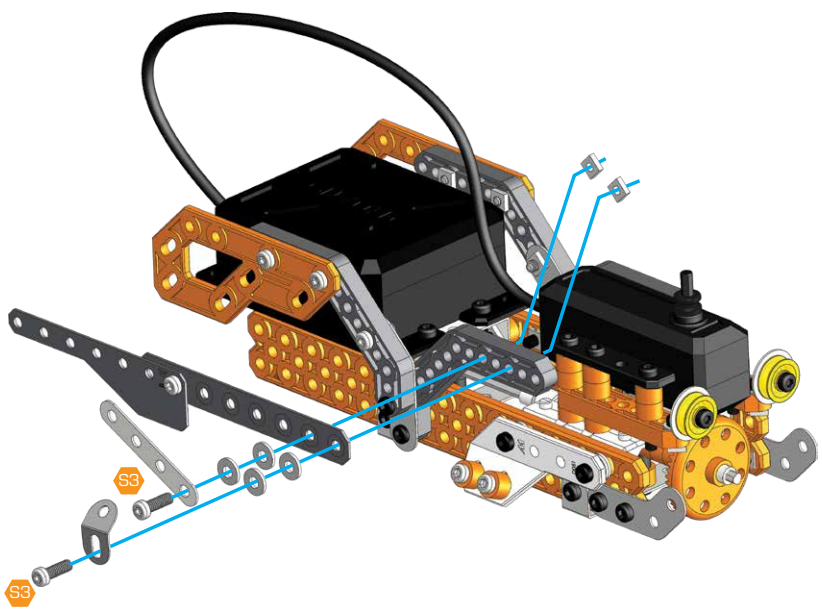


- 0 5 10 15 20 25 30
- S3 12 mm
 - B1 14.7 mm
 - B3 23 mm

- 25**
- S1 x 1
 - x 1
 - x 1
 - x 1
 - x 1



- 26** 24+25
- S3 x 2
 - x 2
 - x 4
 - x 1
 - x 1
- 0 5 10 15
- S3 12 mm



27

