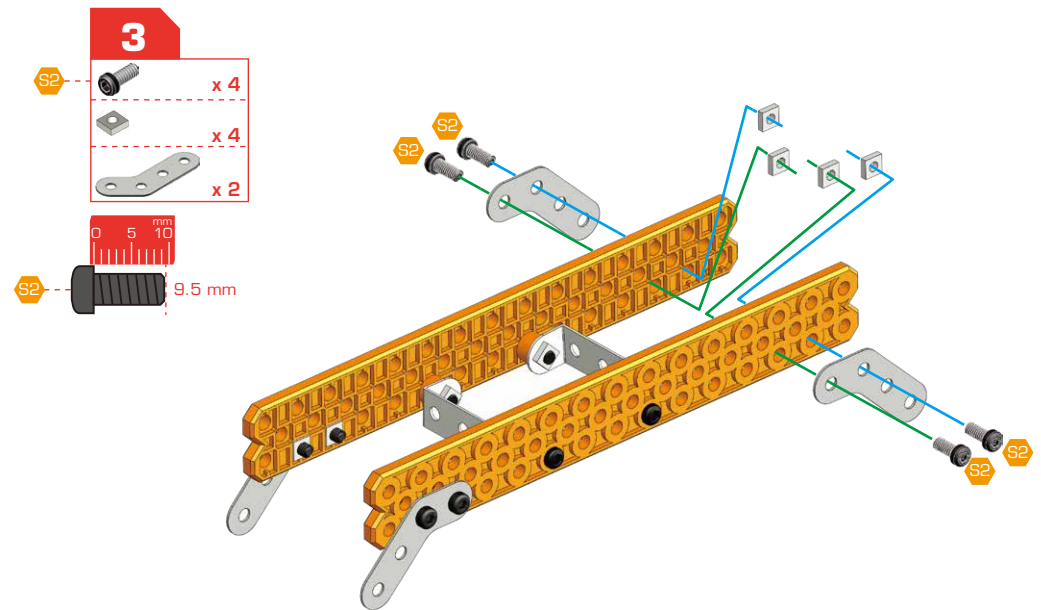
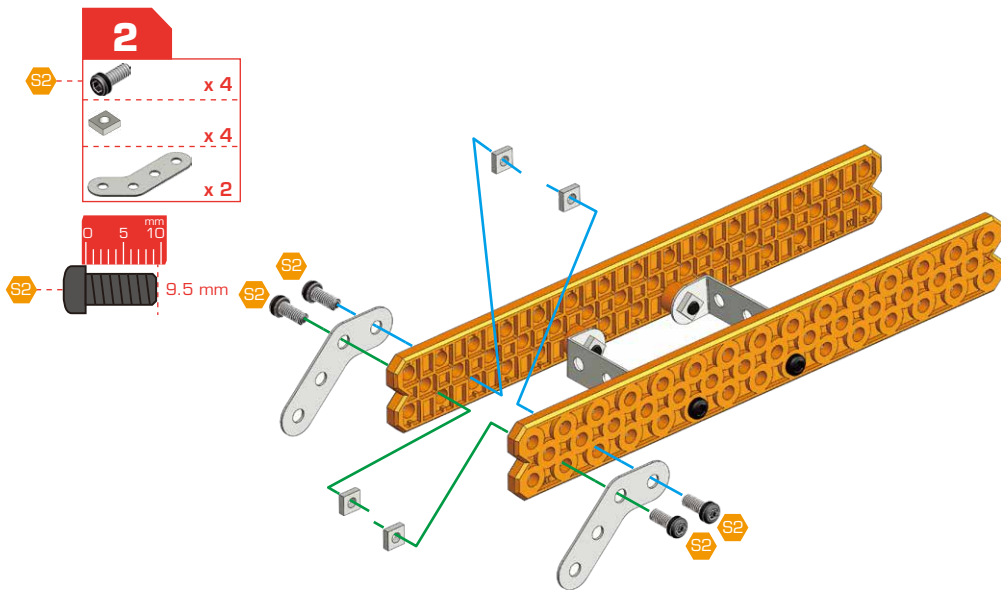
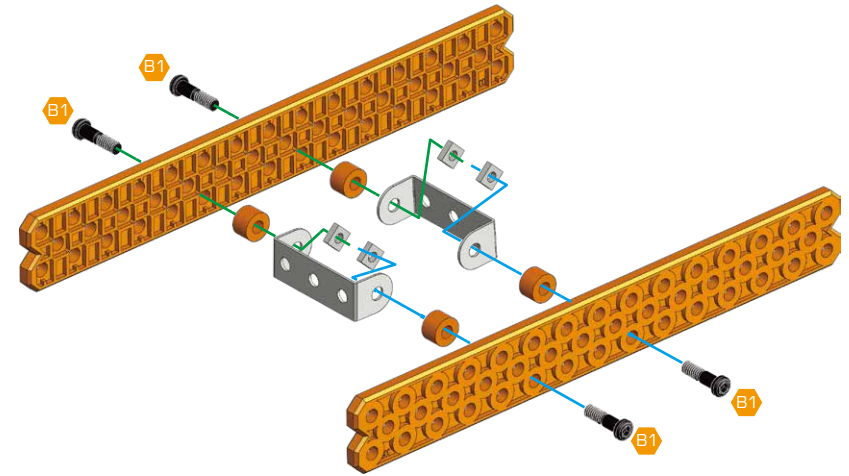
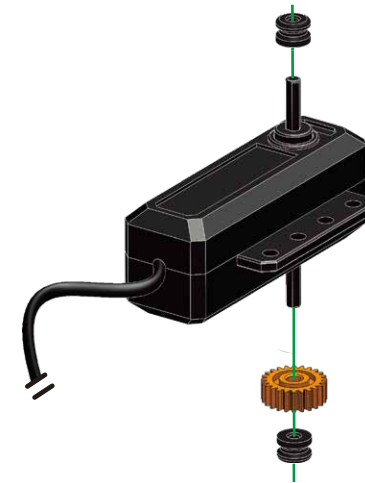
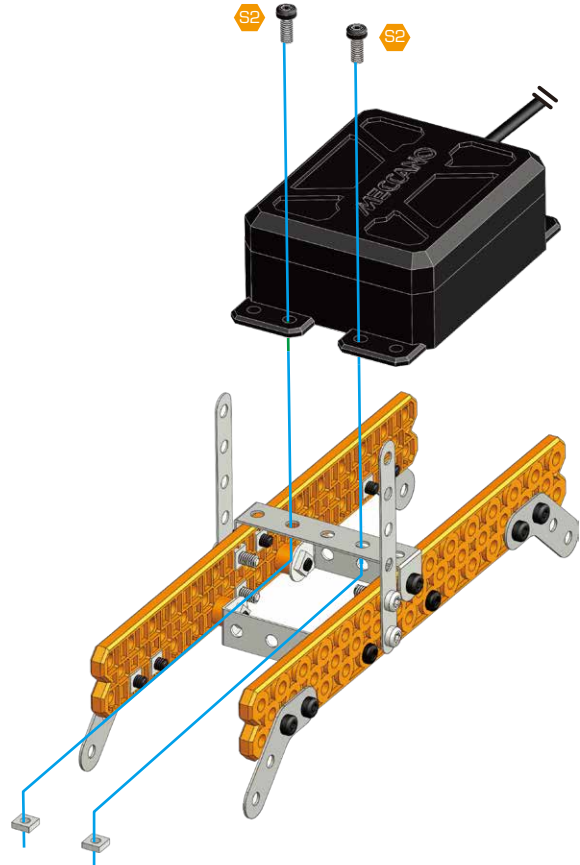
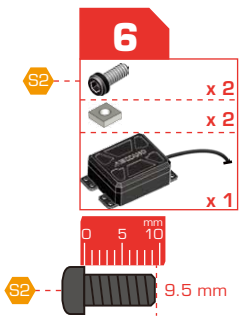
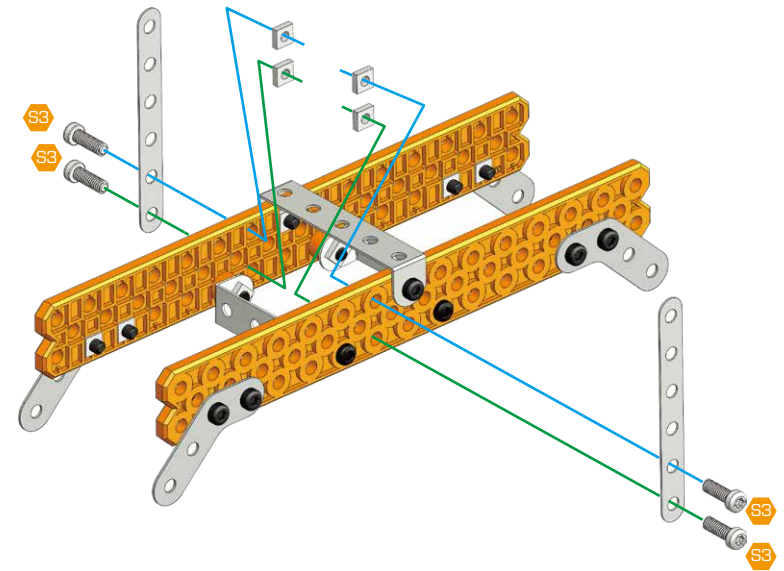
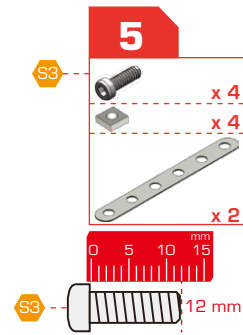
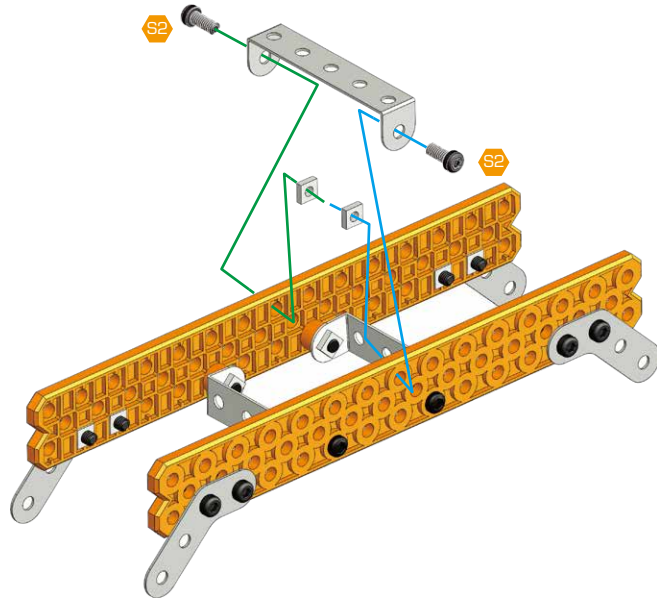
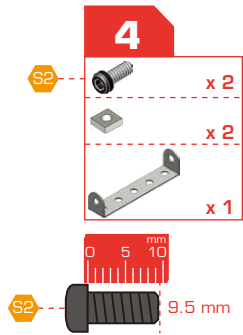






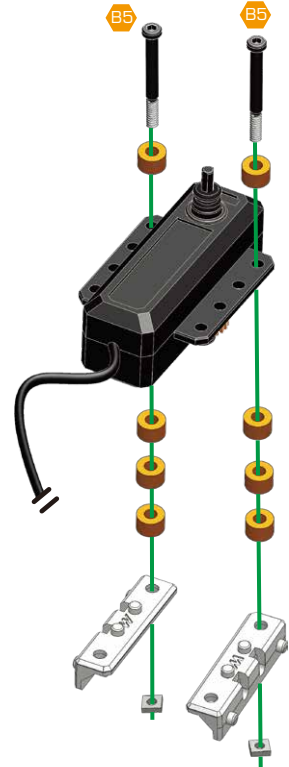






- 1**
- x 4
 - x 4
 - x 4
 - x 2
 - x 2
- 14.7 mm

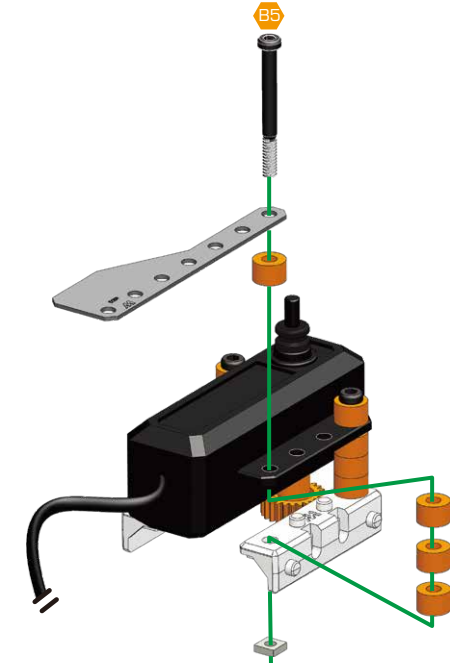








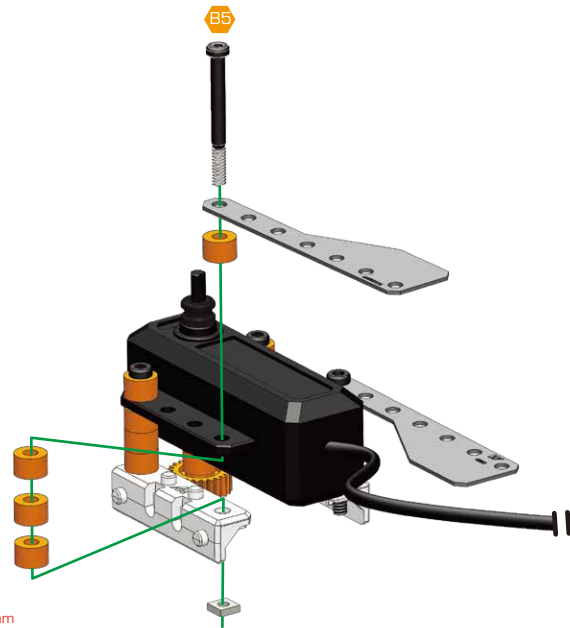
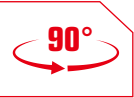
- 8**
-  x 2
 -  x 2
 -  x 8
 -  x 2





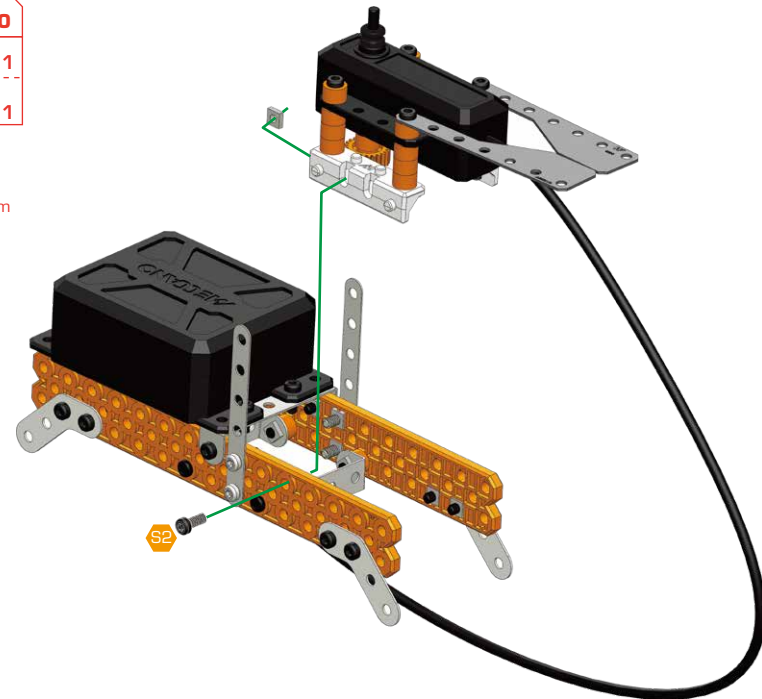
- 9**
-  x 1
 -  x 1
 -  x 4
 -  x 1

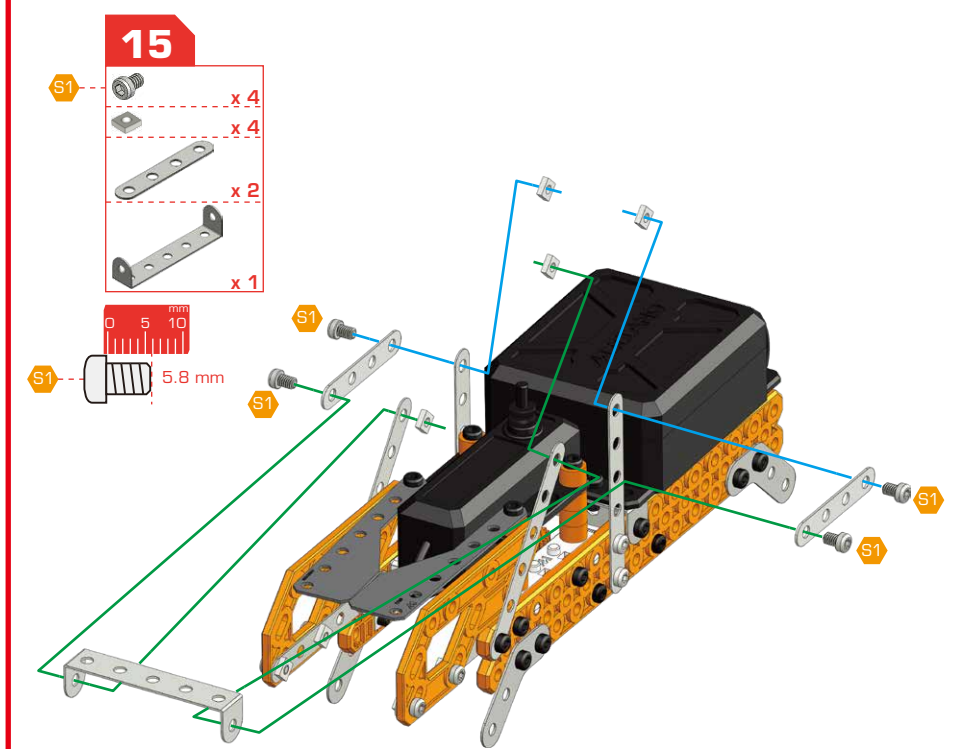
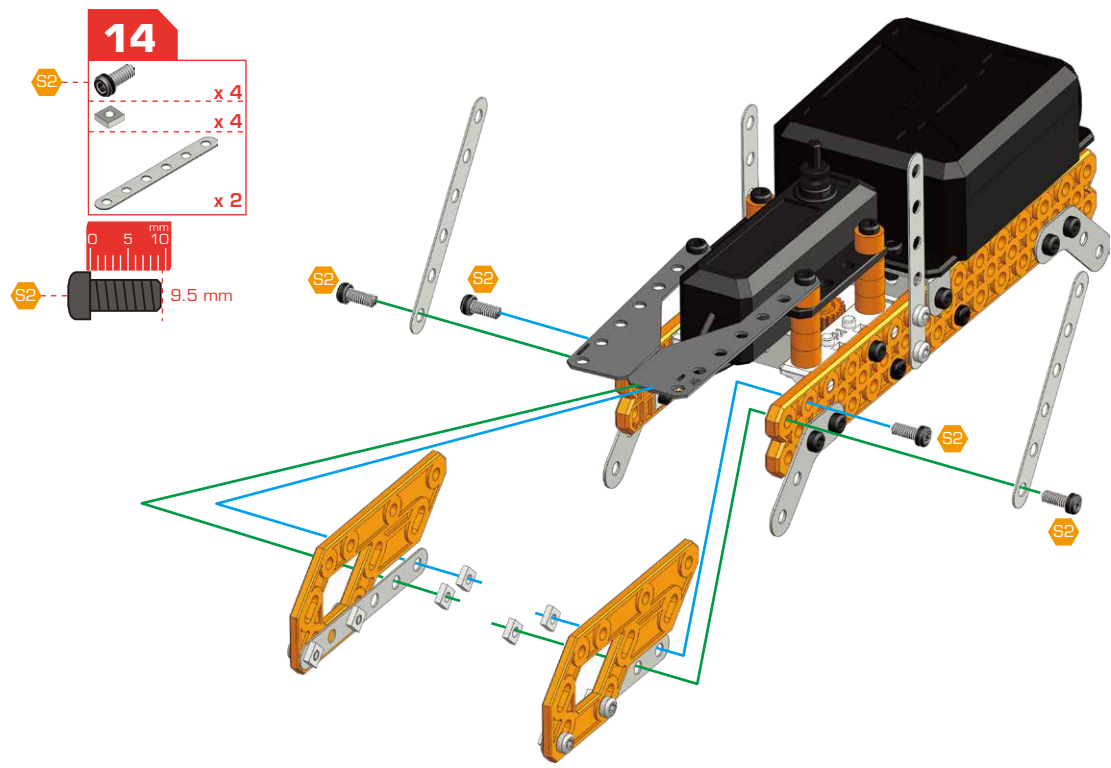
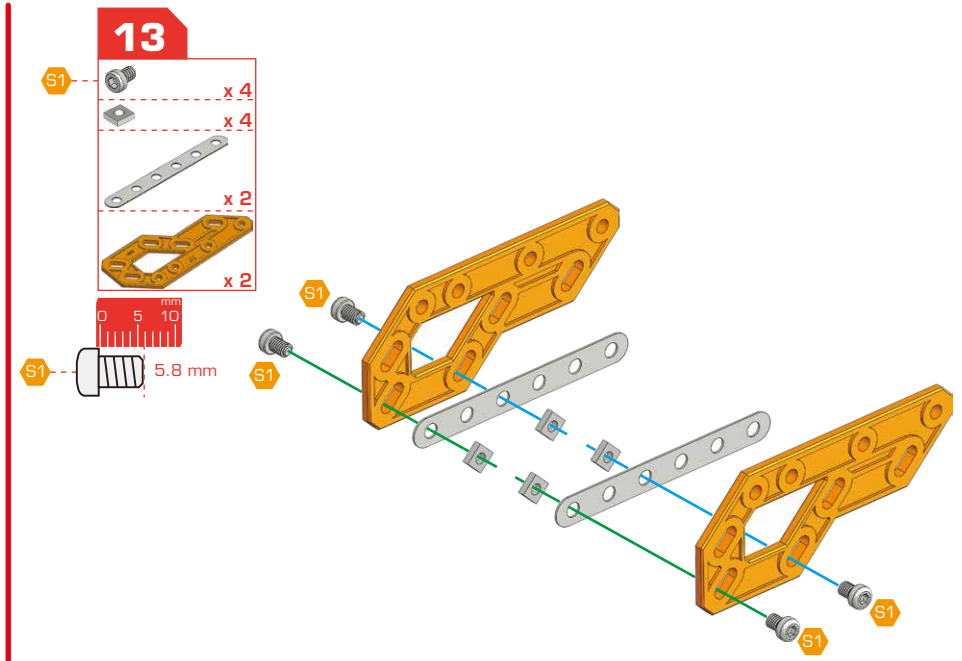
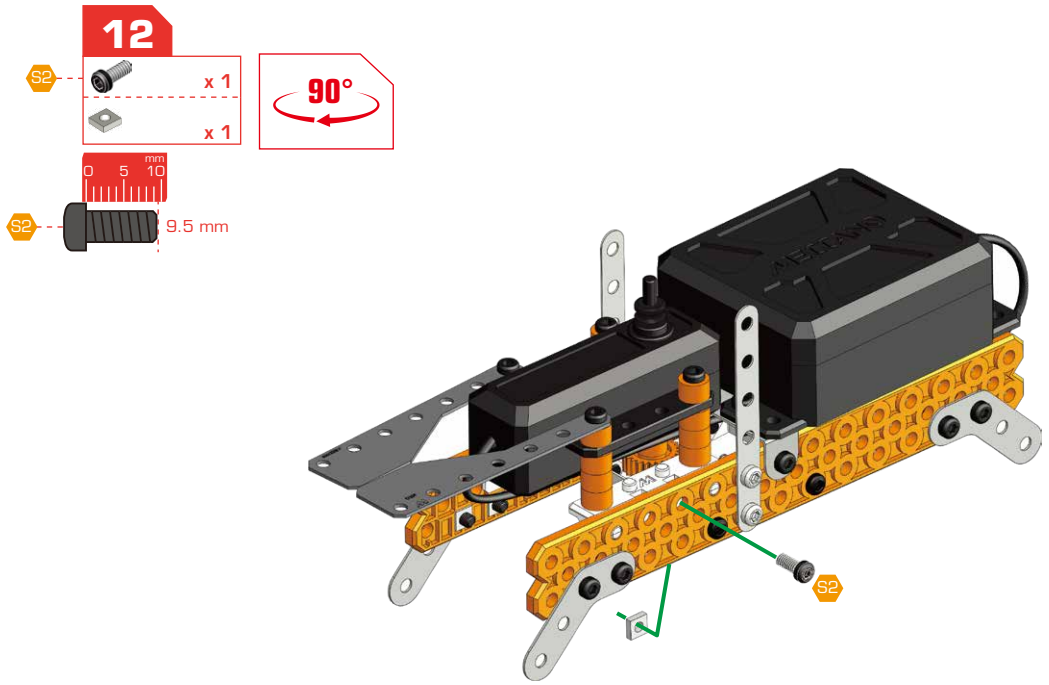


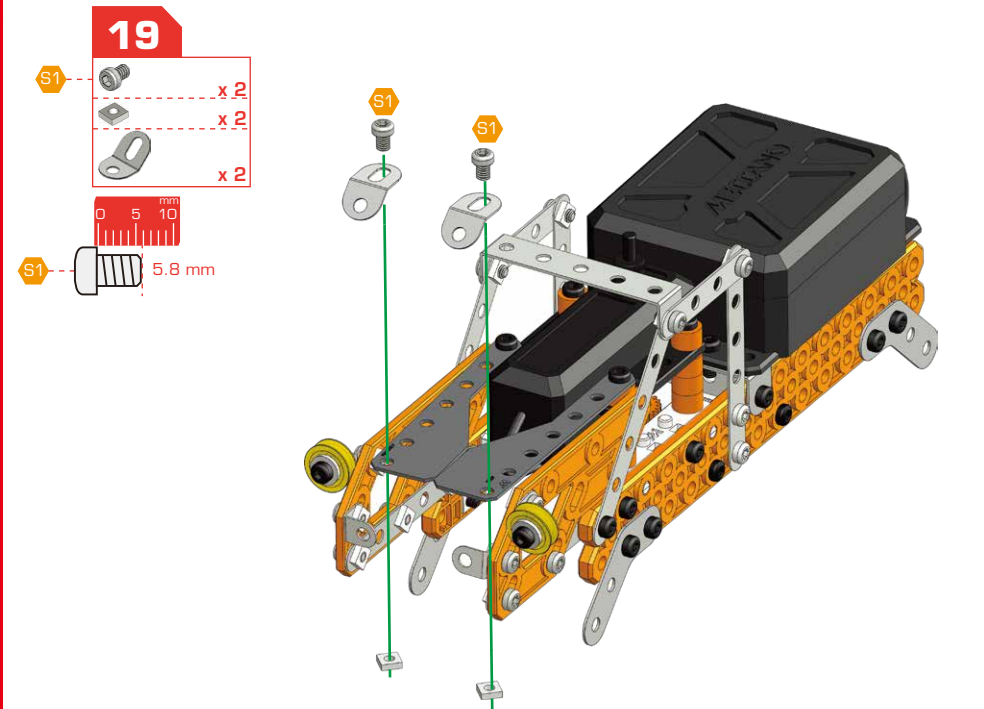
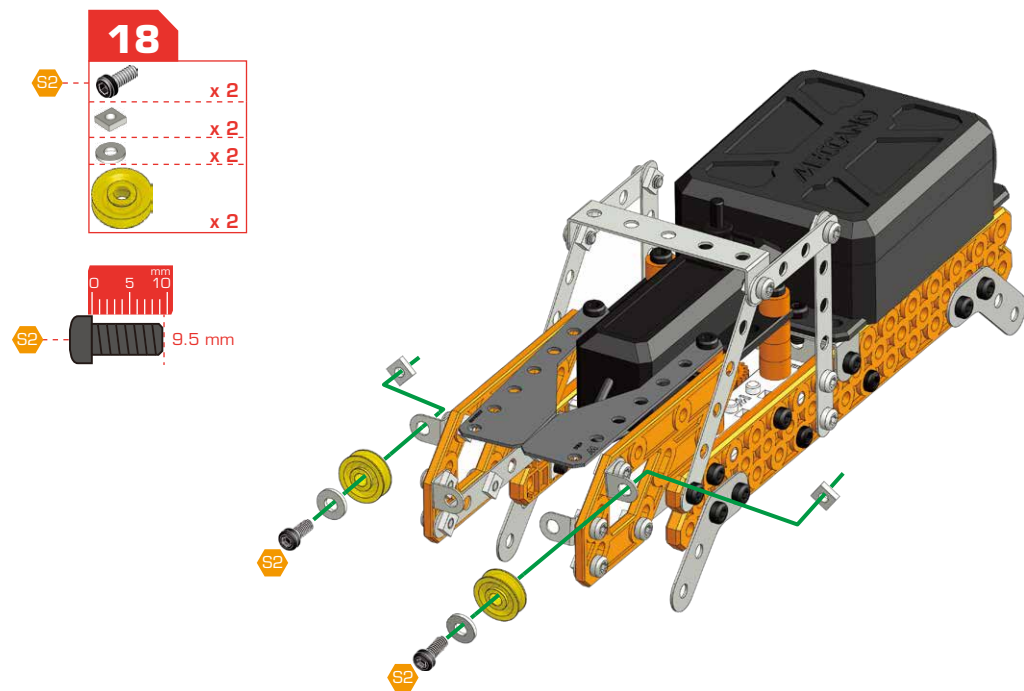
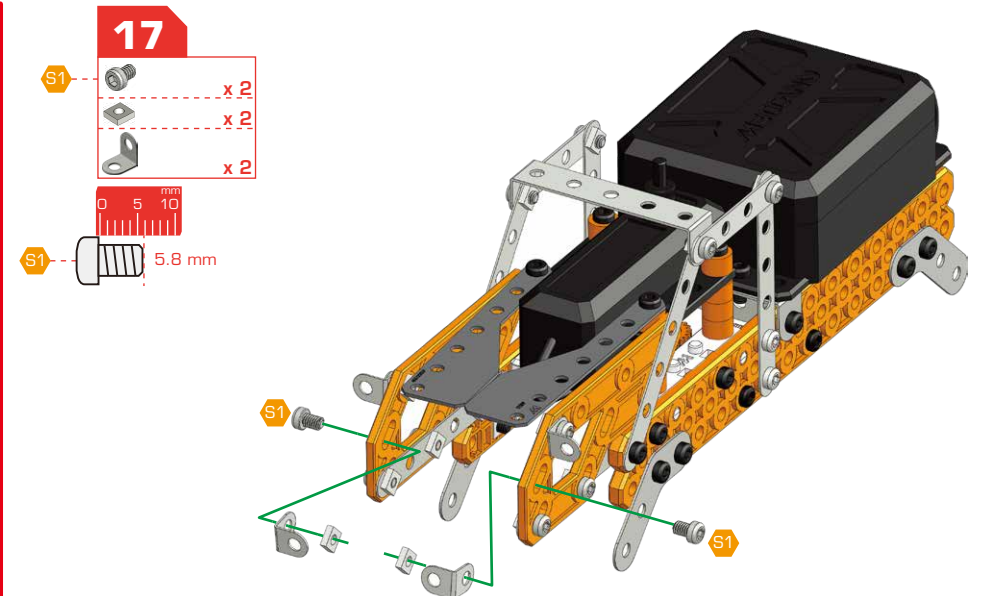
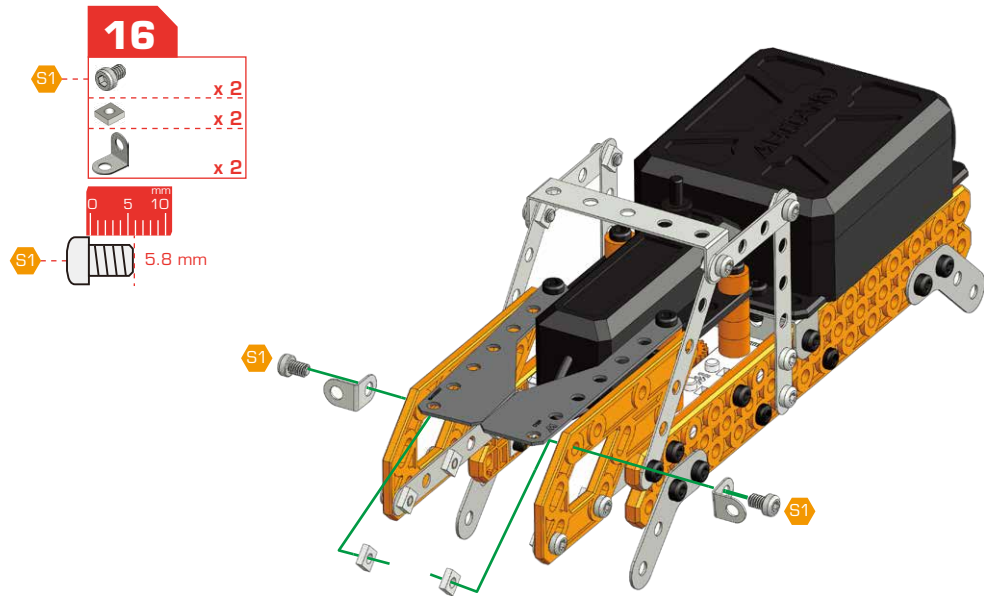
- 10**
-  x 1
 -  x 1
 -  x 4
 -  x 1

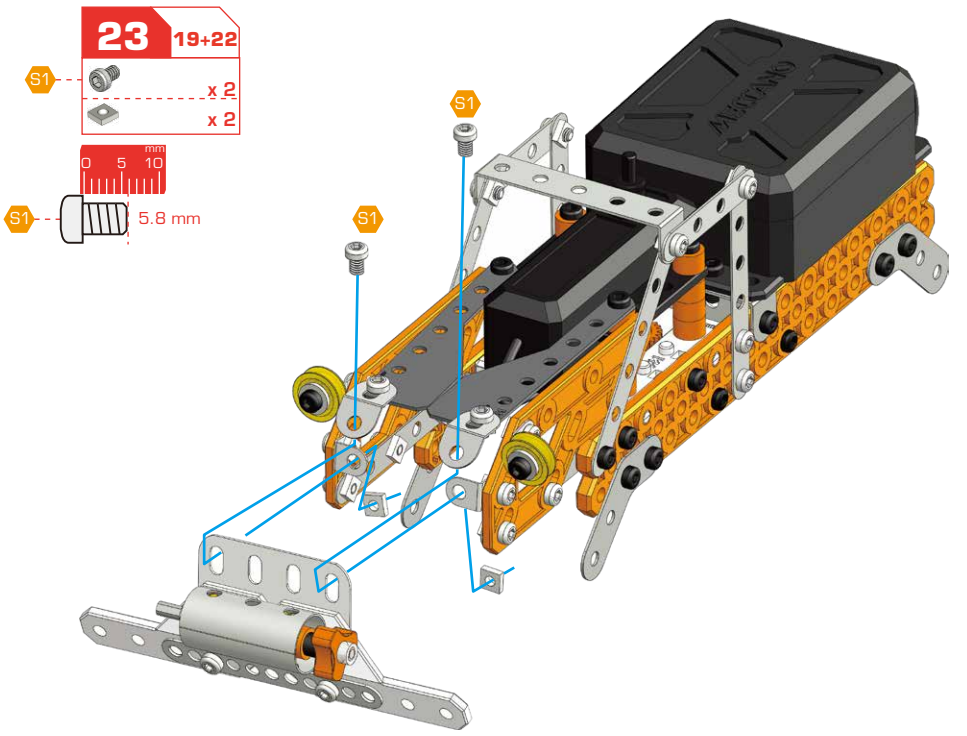
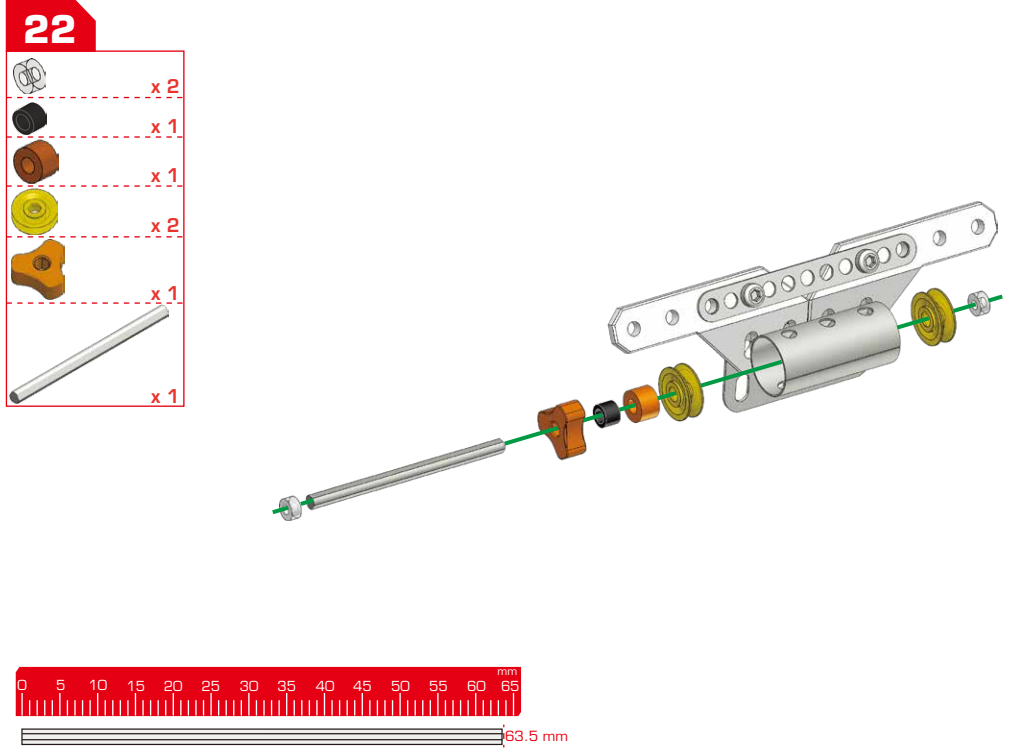
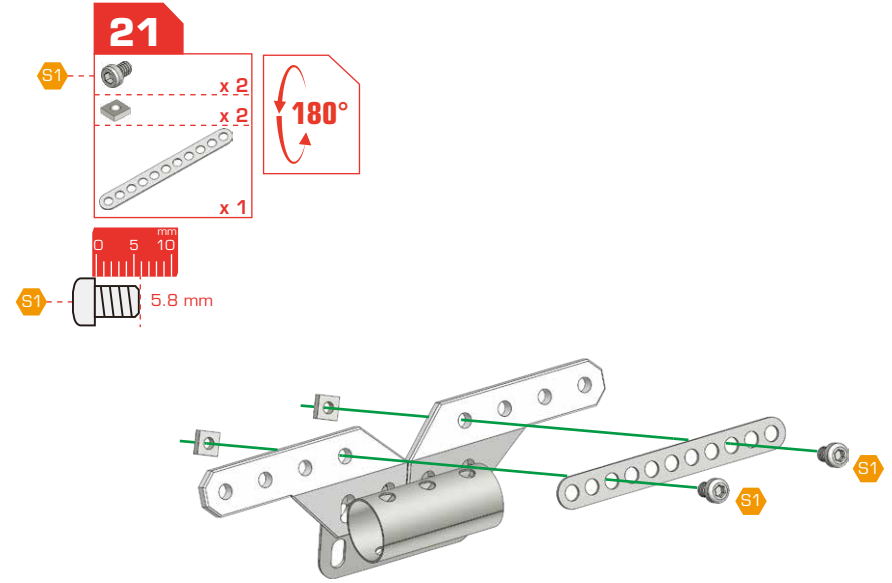
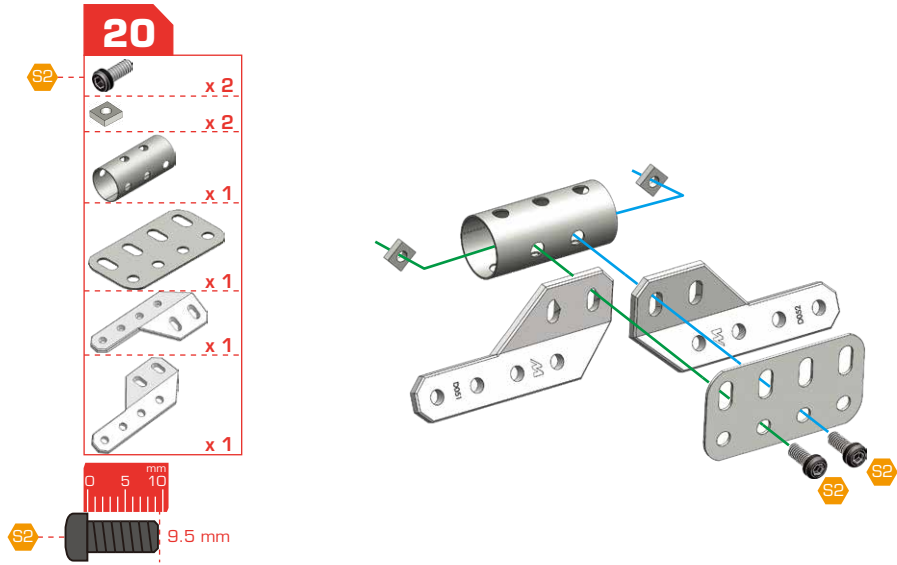


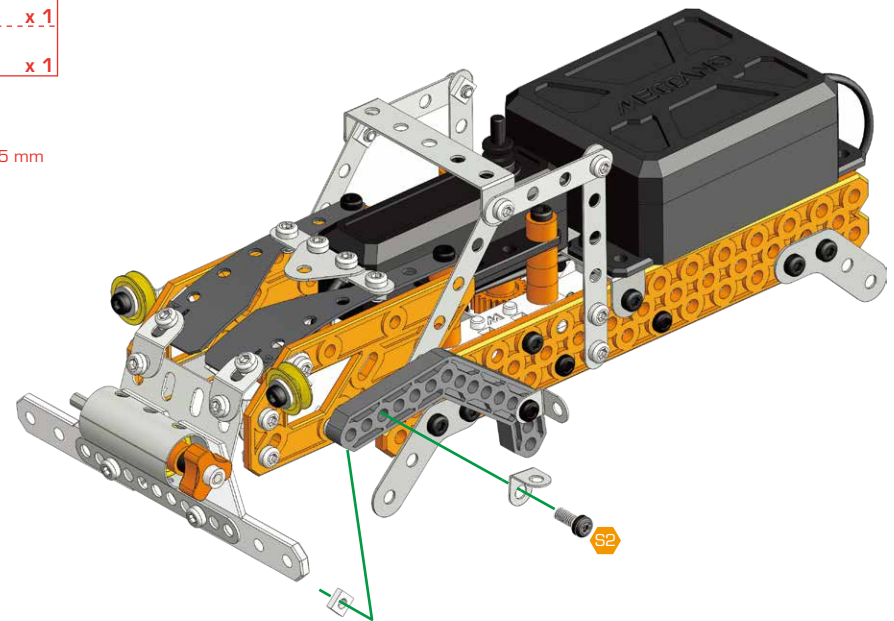
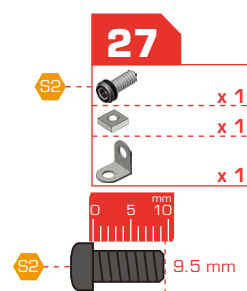
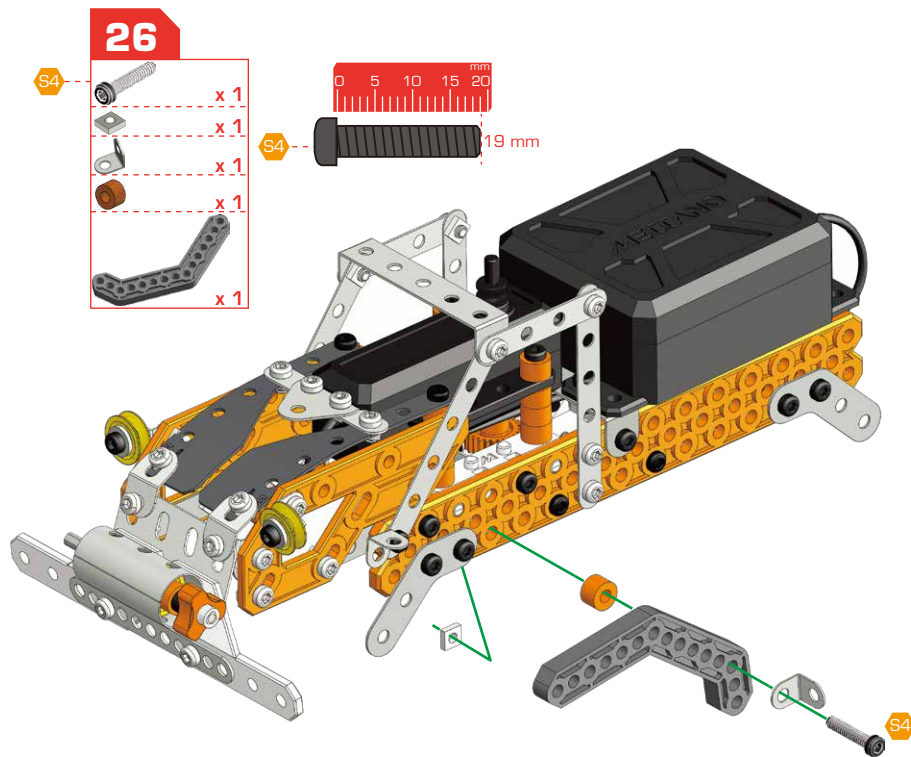
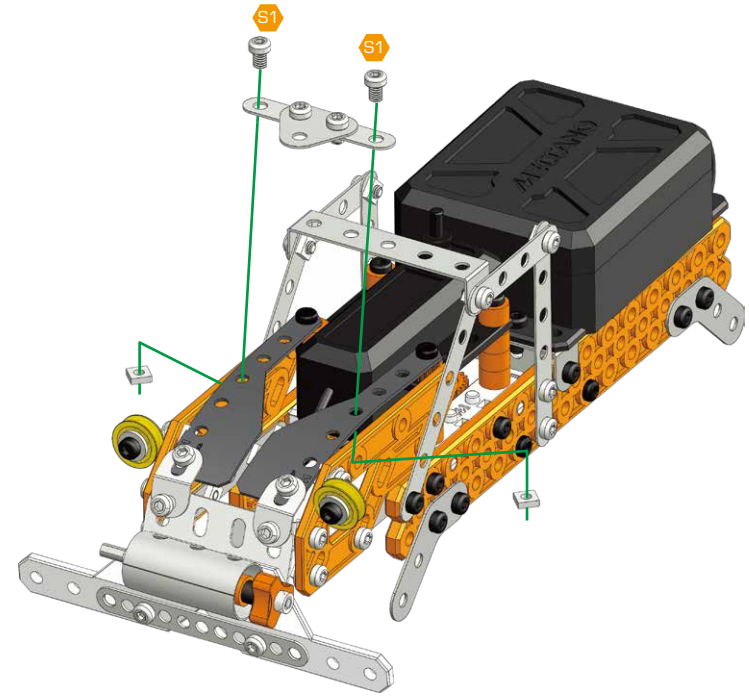
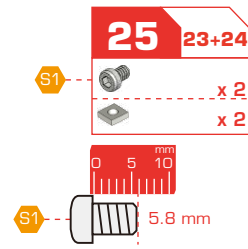
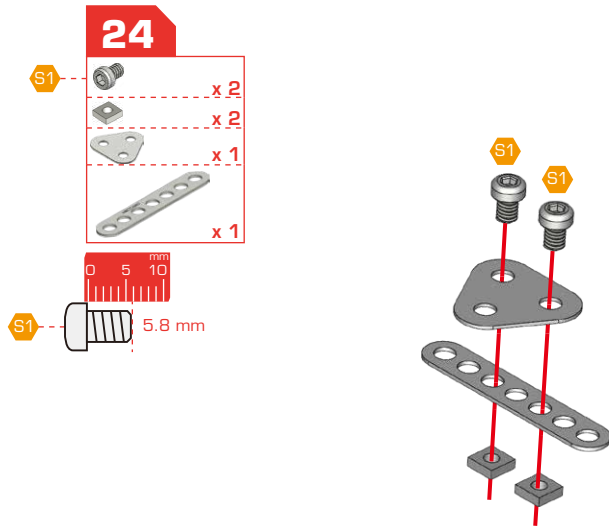
- 11** 6+10
-  x 1
 -  x 1

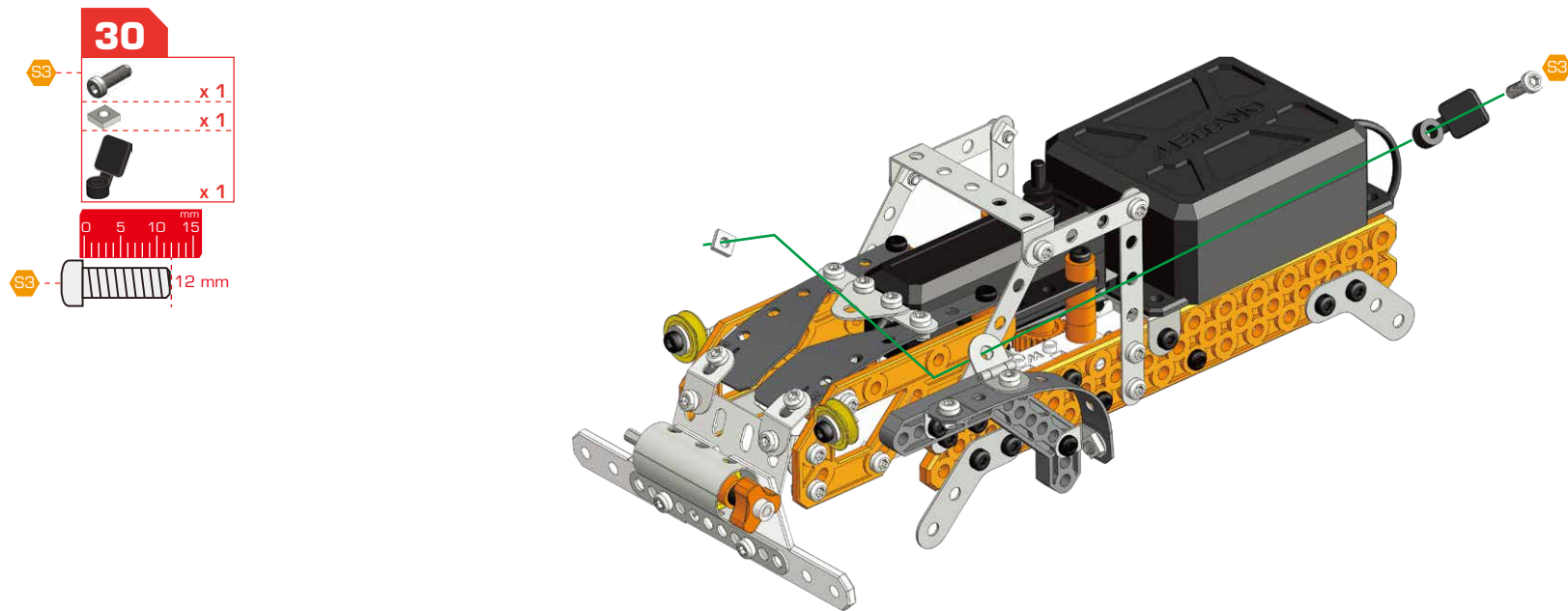
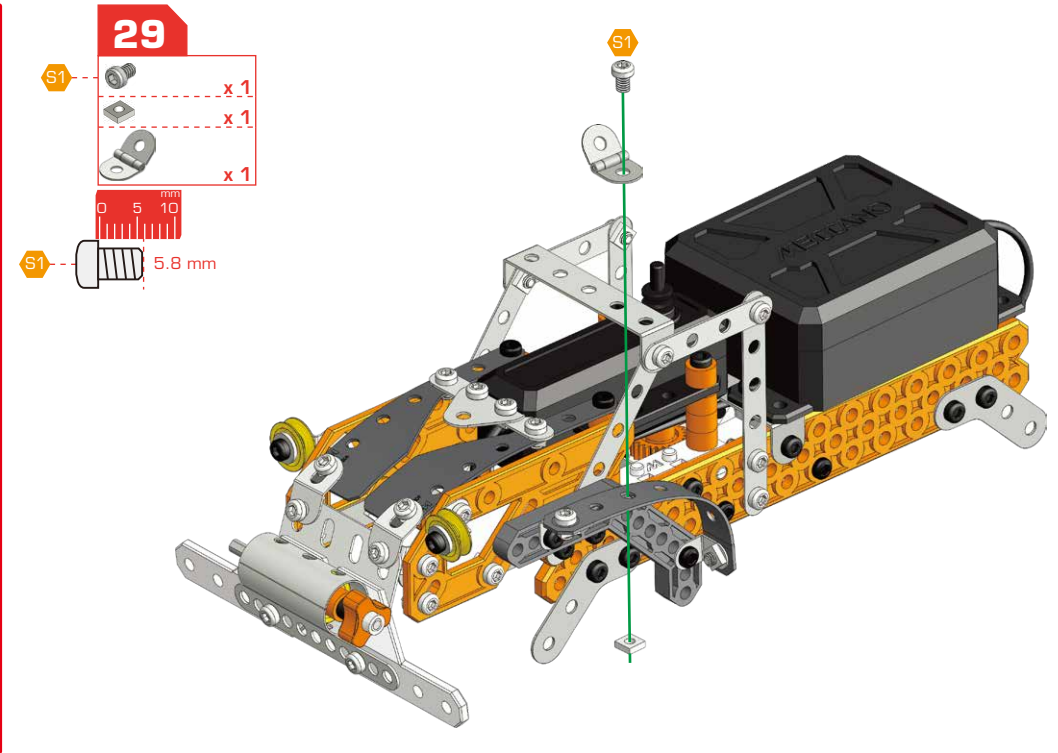
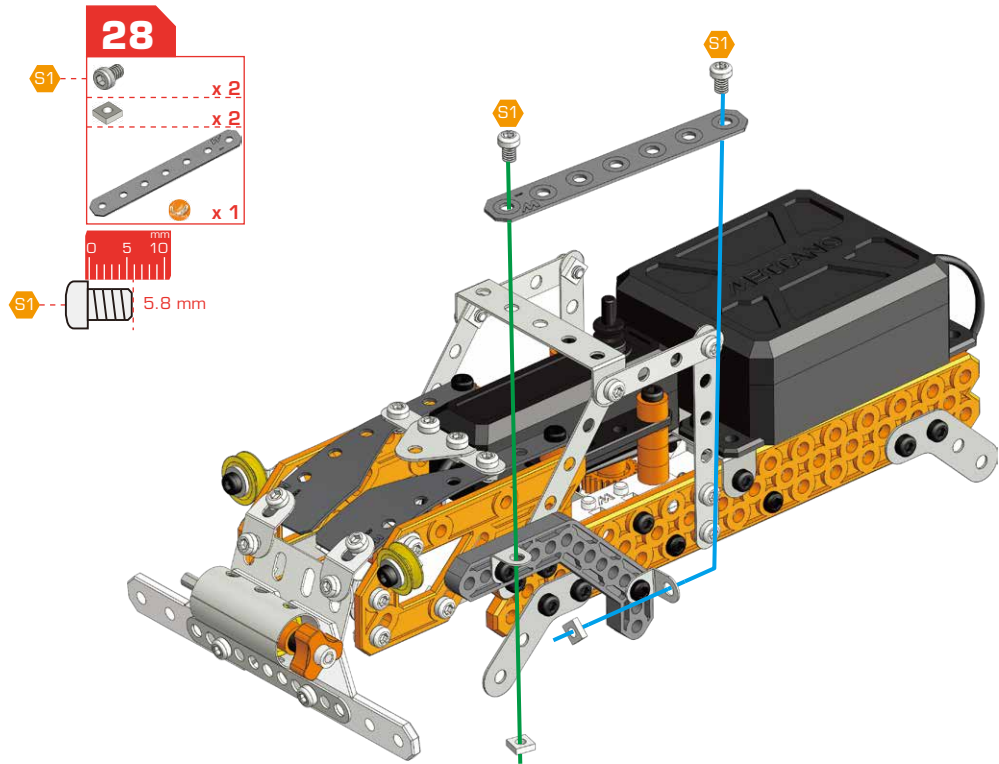










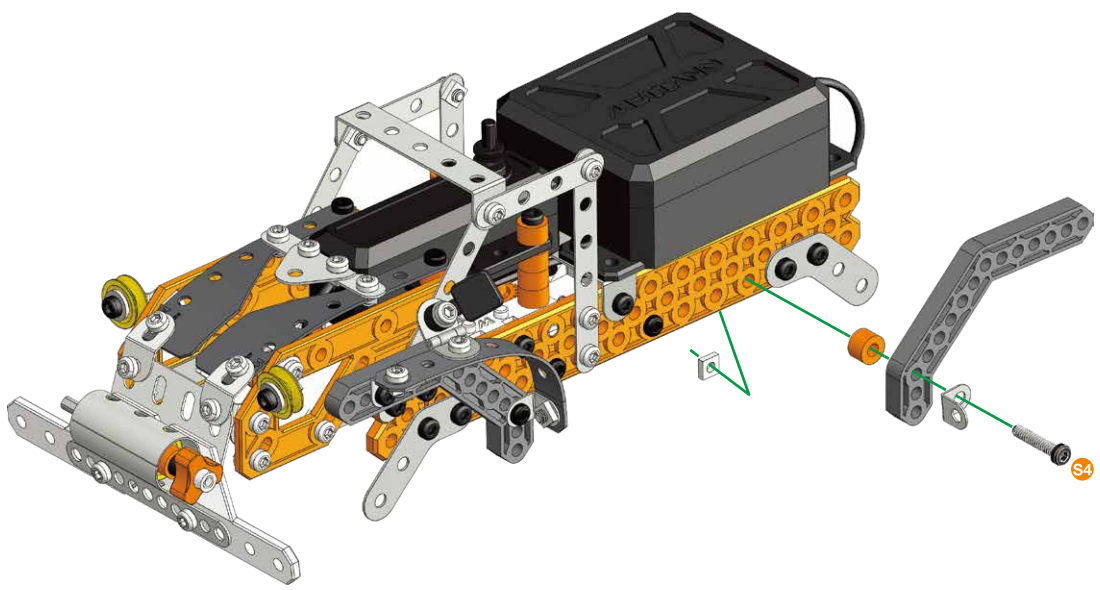


31

- S4 x 1
- x 1
- x 1
- x 1
- x 1



S4 19 mm

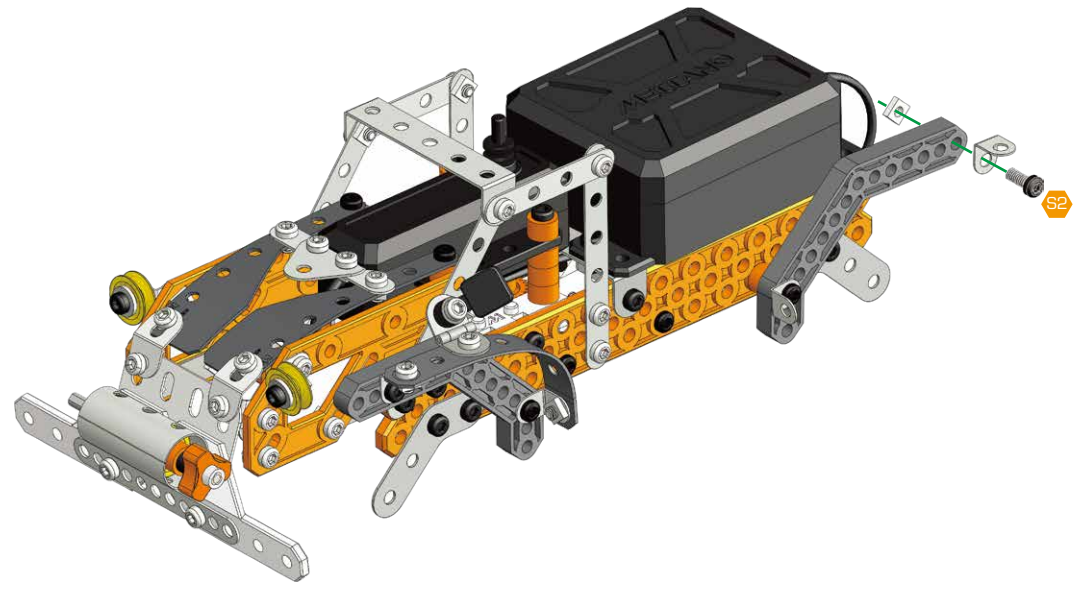


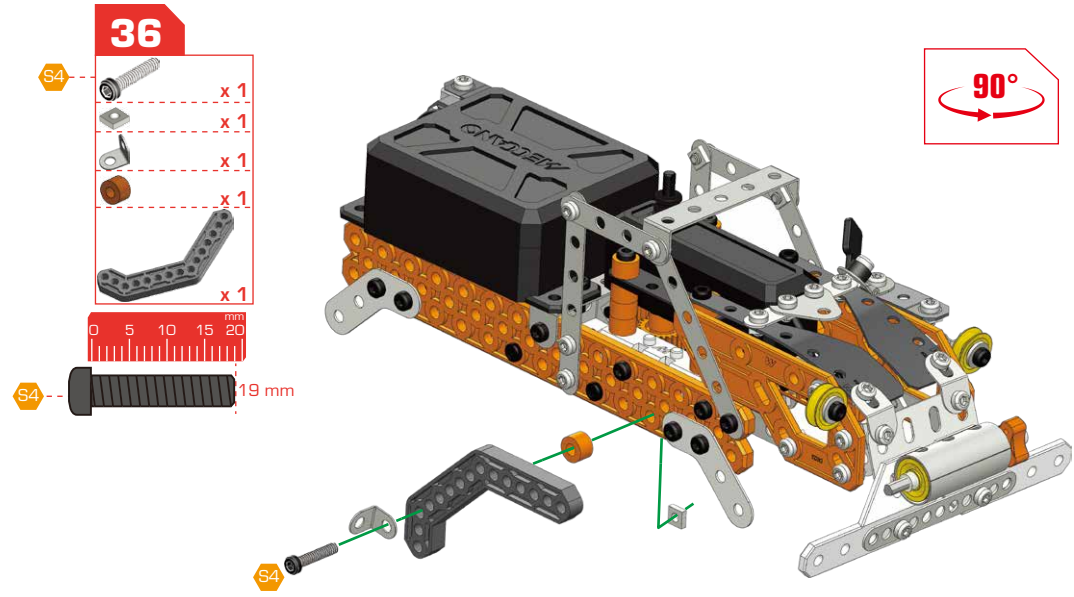
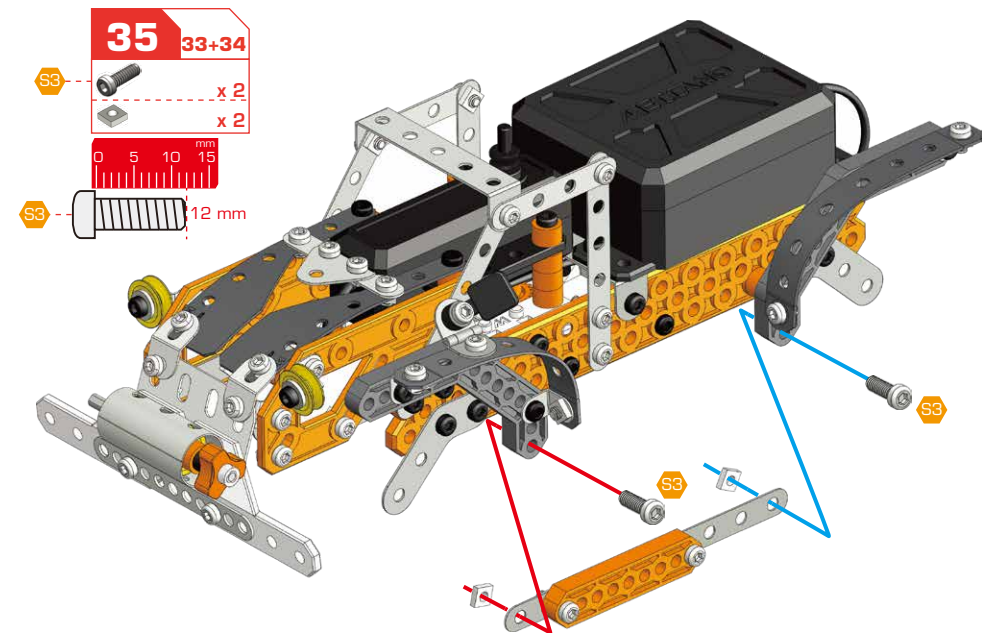
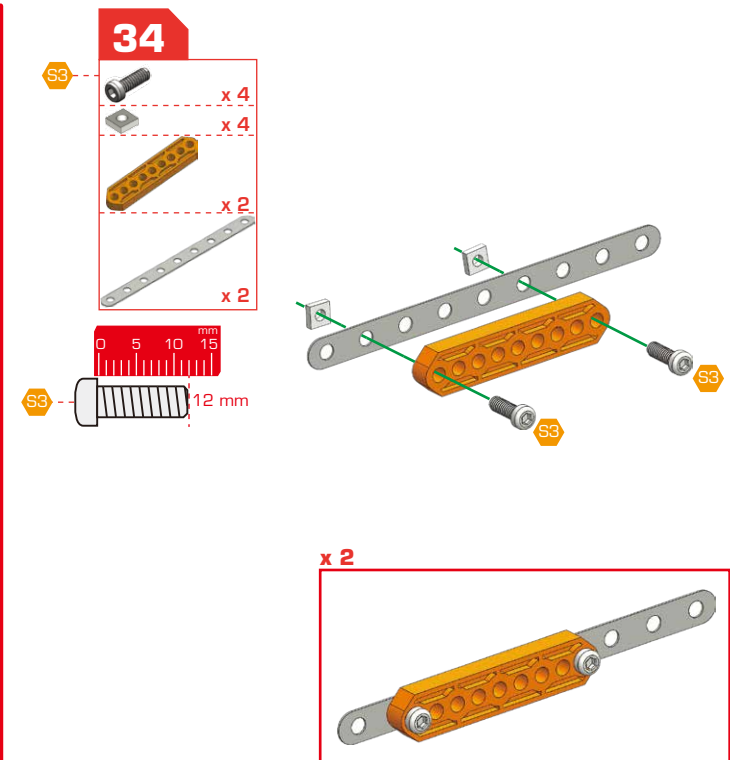
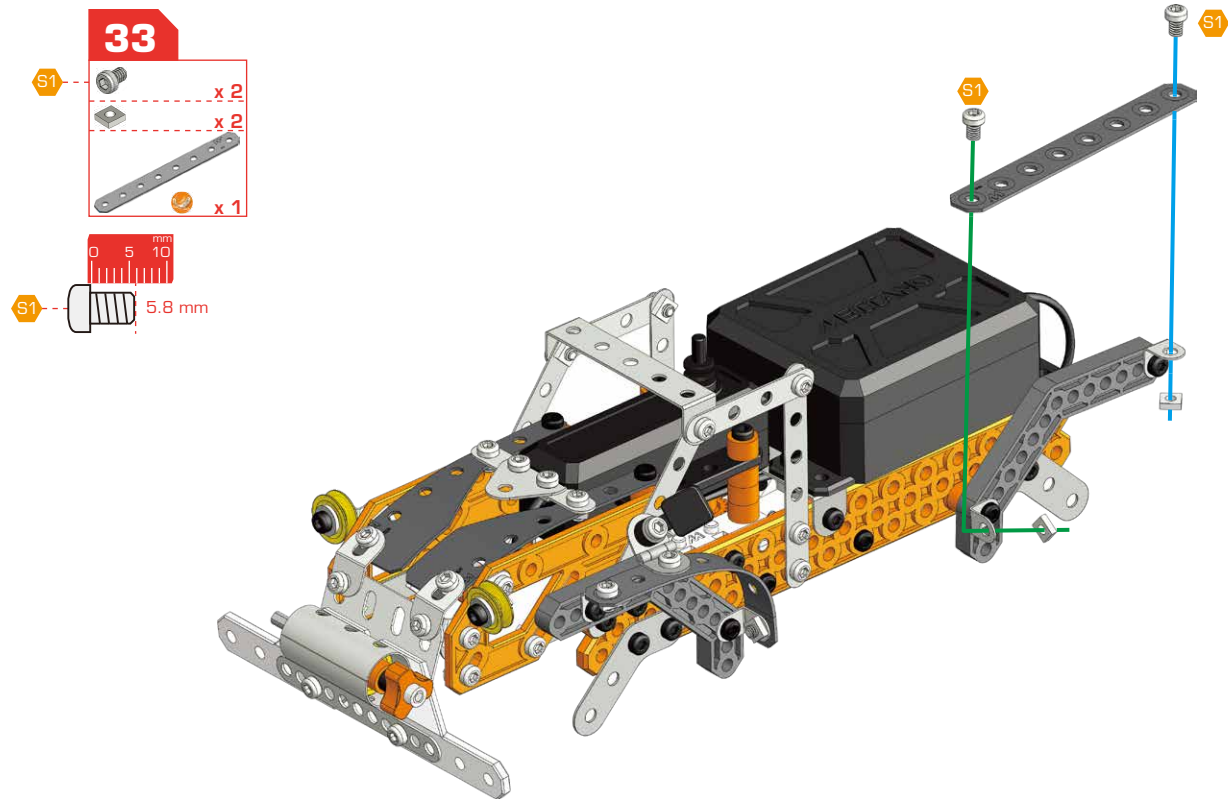
32

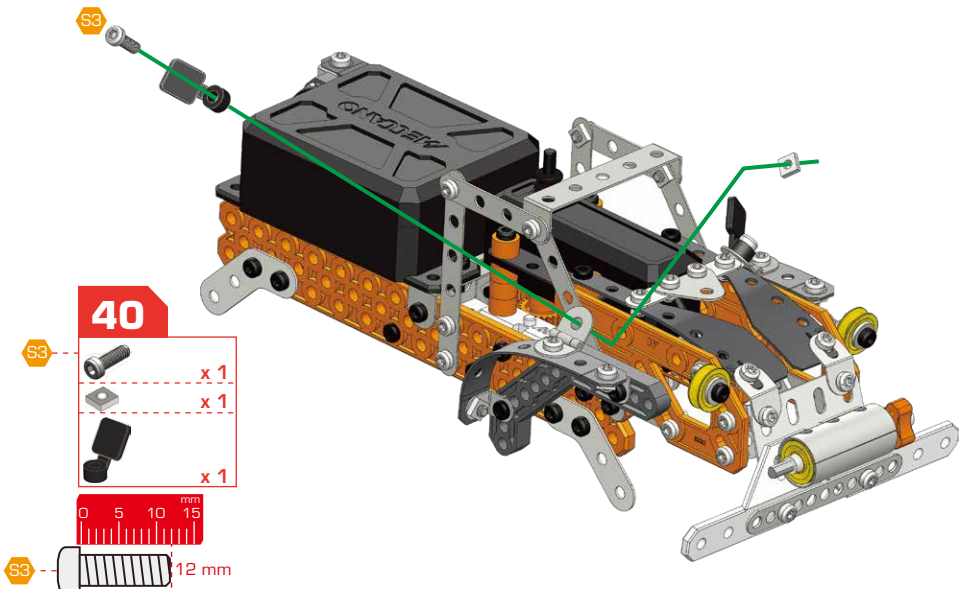
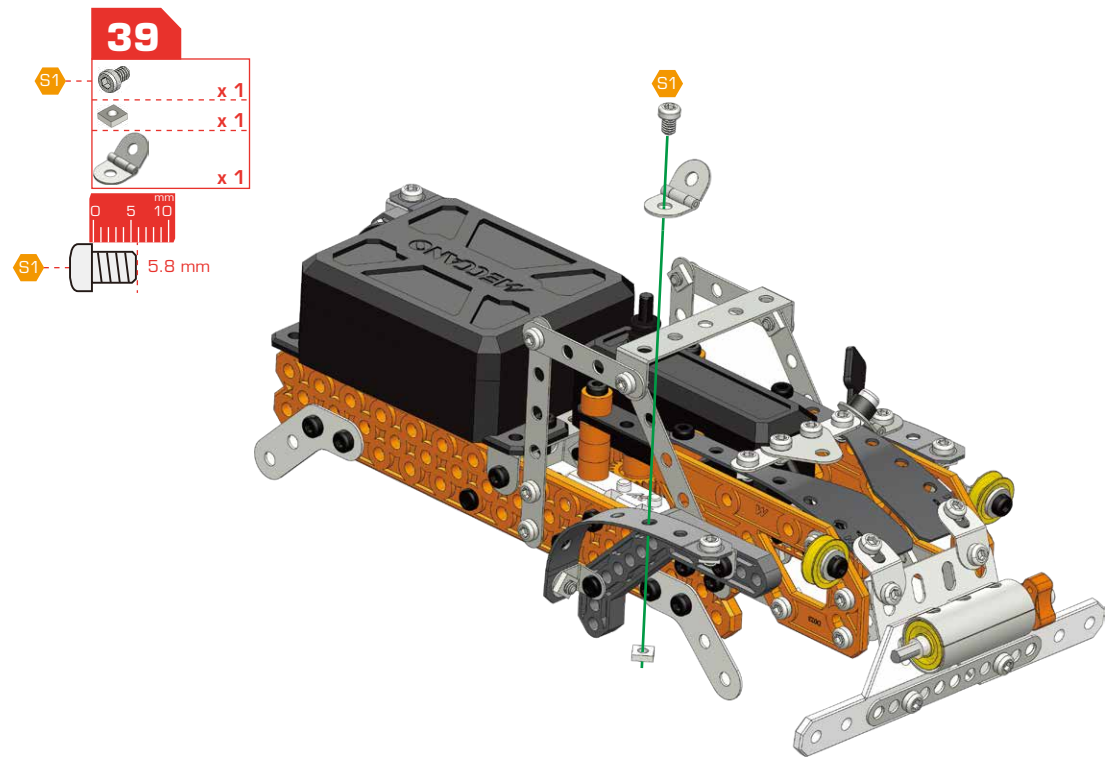
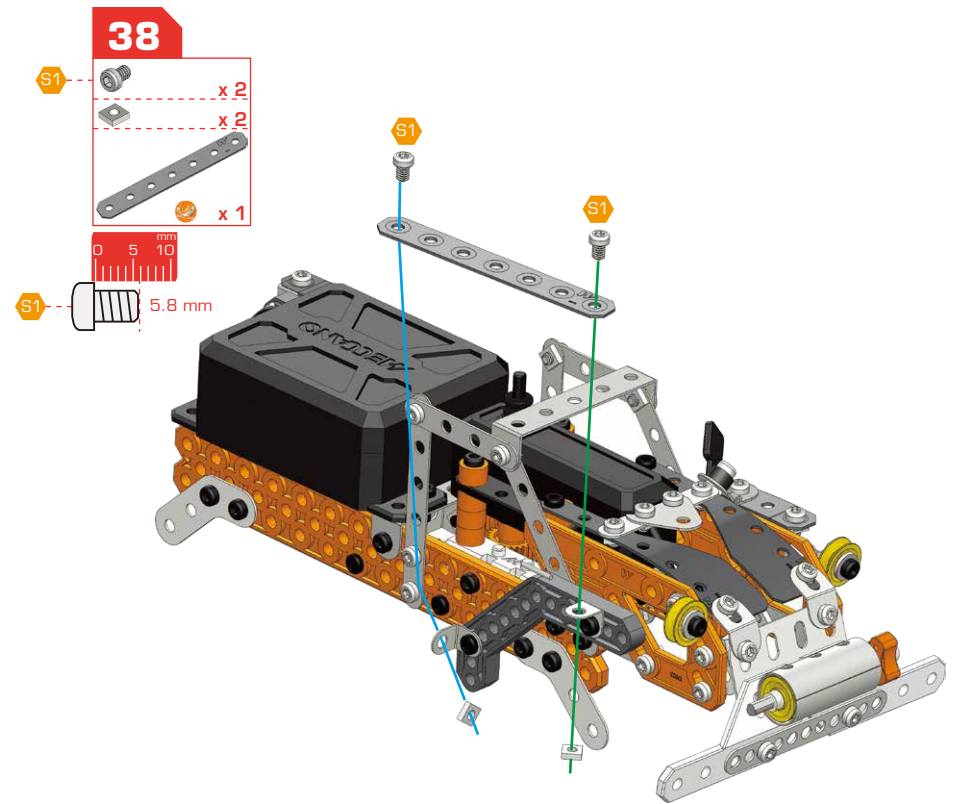
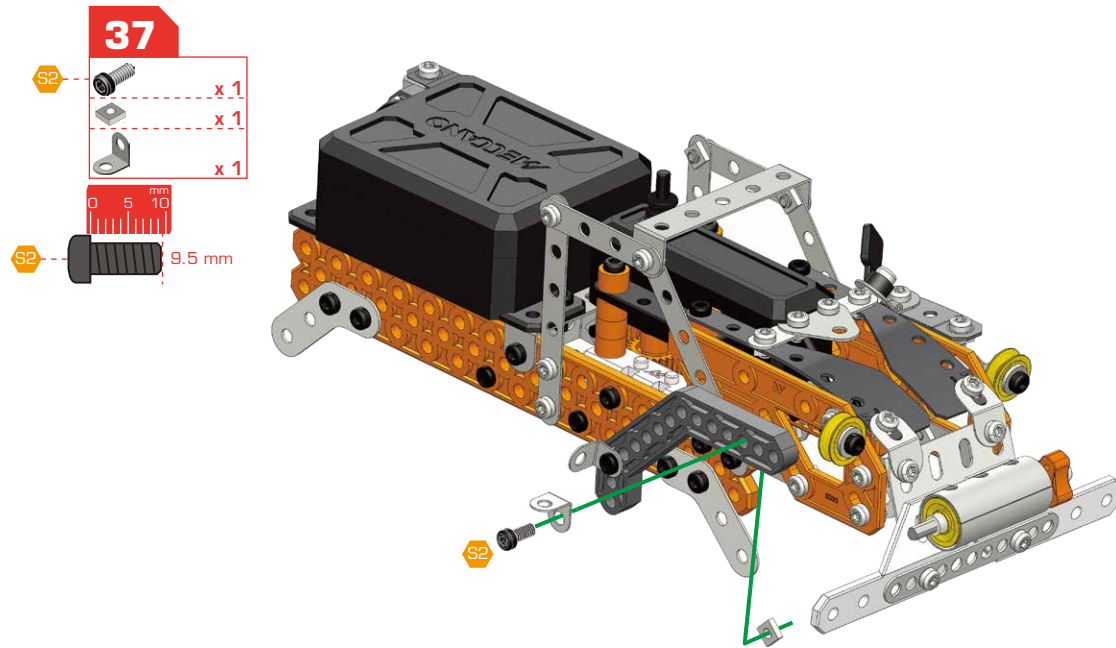
- S2 x 1
- x 1
- x 1



S2 9.5 mm





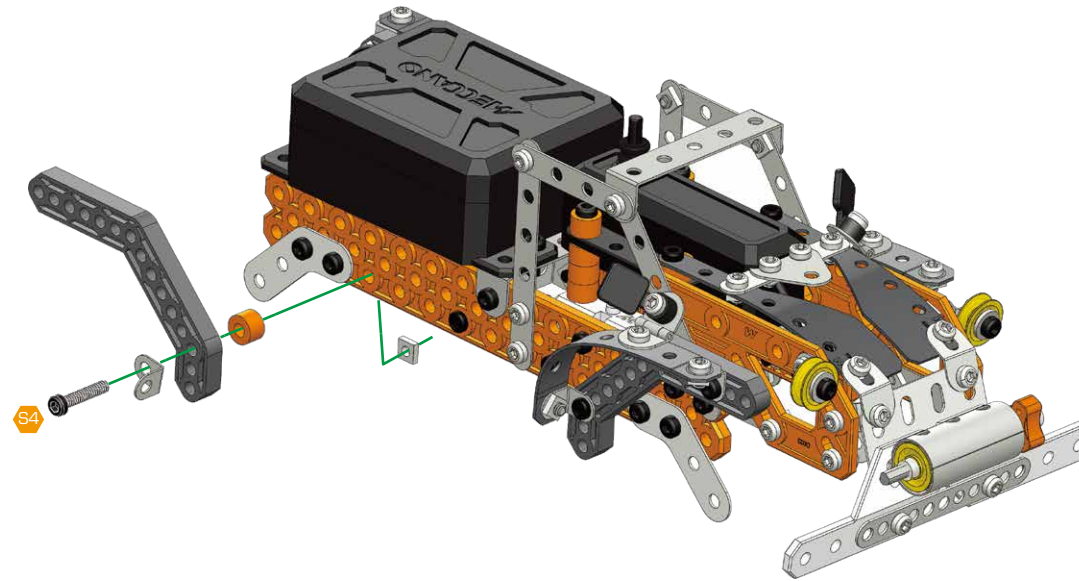


41

- S4 x 1
- x 1
- x 1
- x 1
- x 1

mm
0 5 10 15 20

S4 19 mm

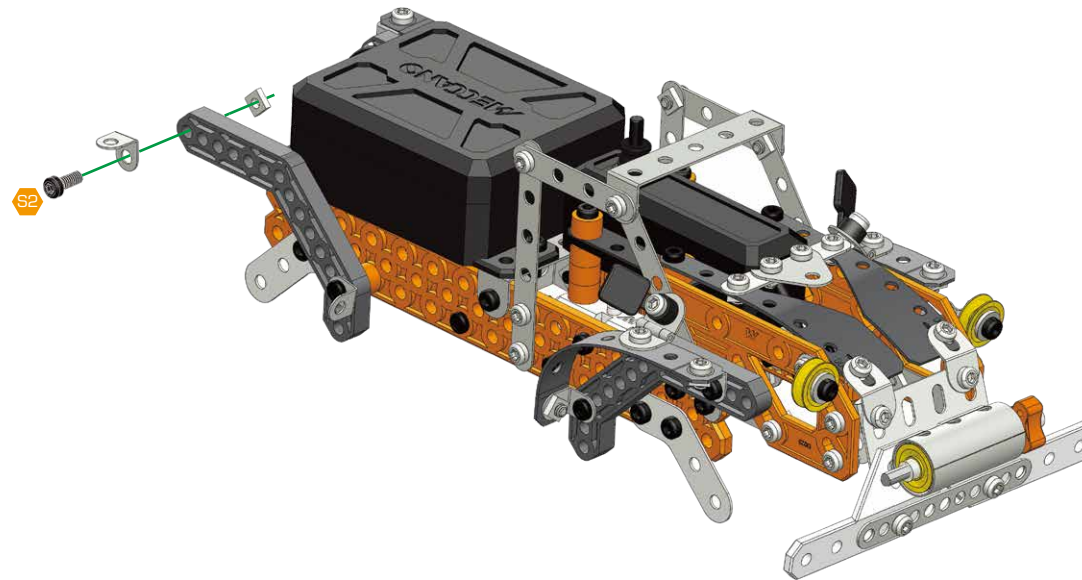


42

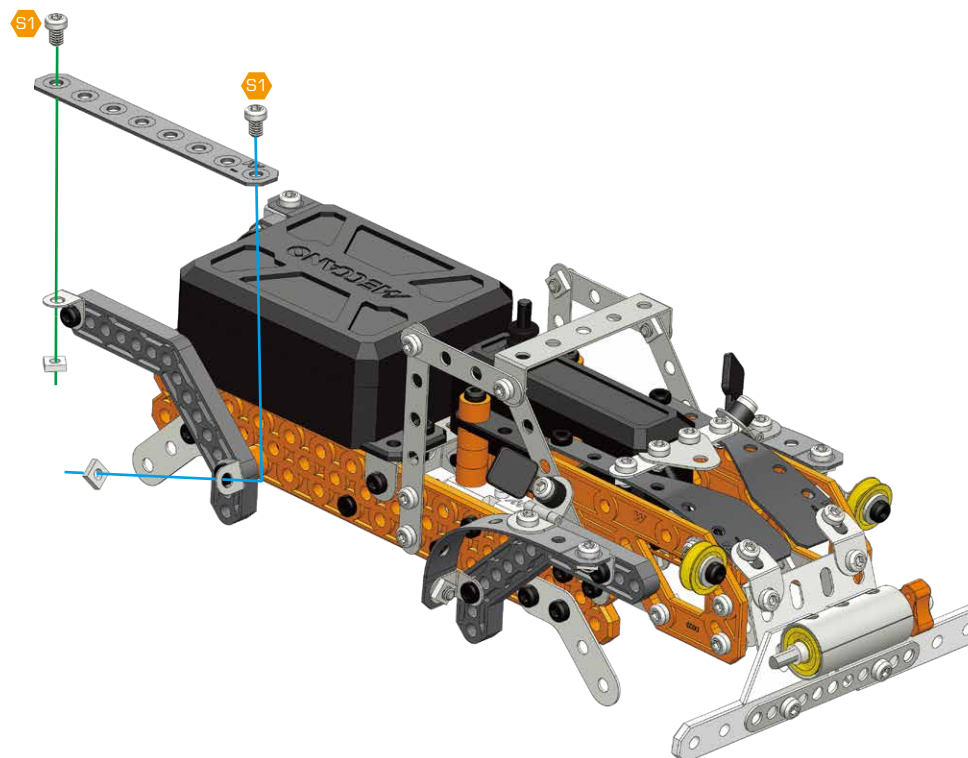
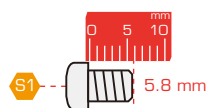
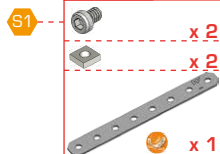
- S2 x 1
- x 1
- x 1

mm
0 5 10

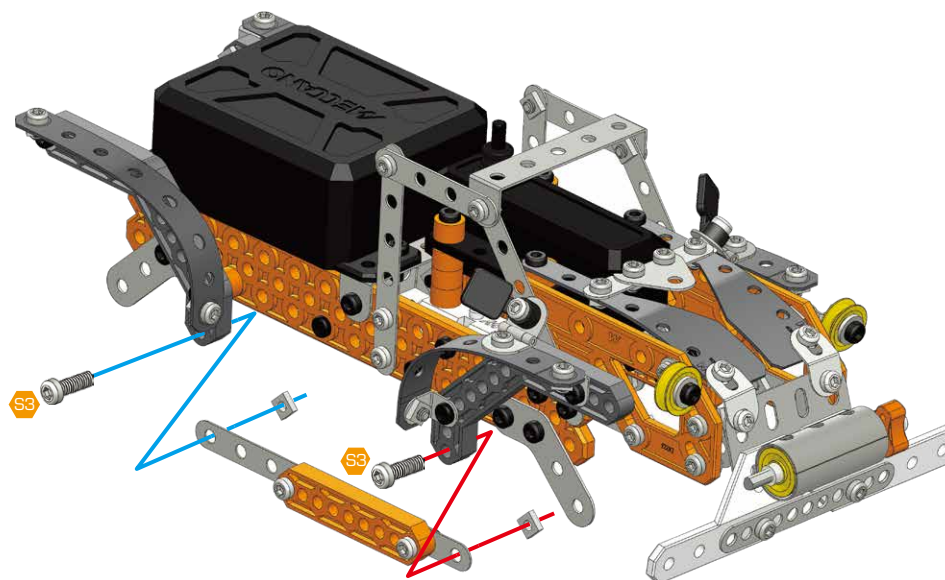
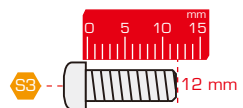
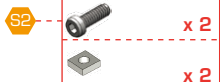
S2 9.5 mm



43

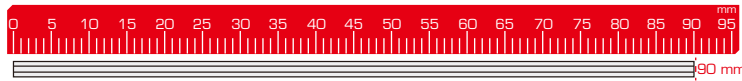
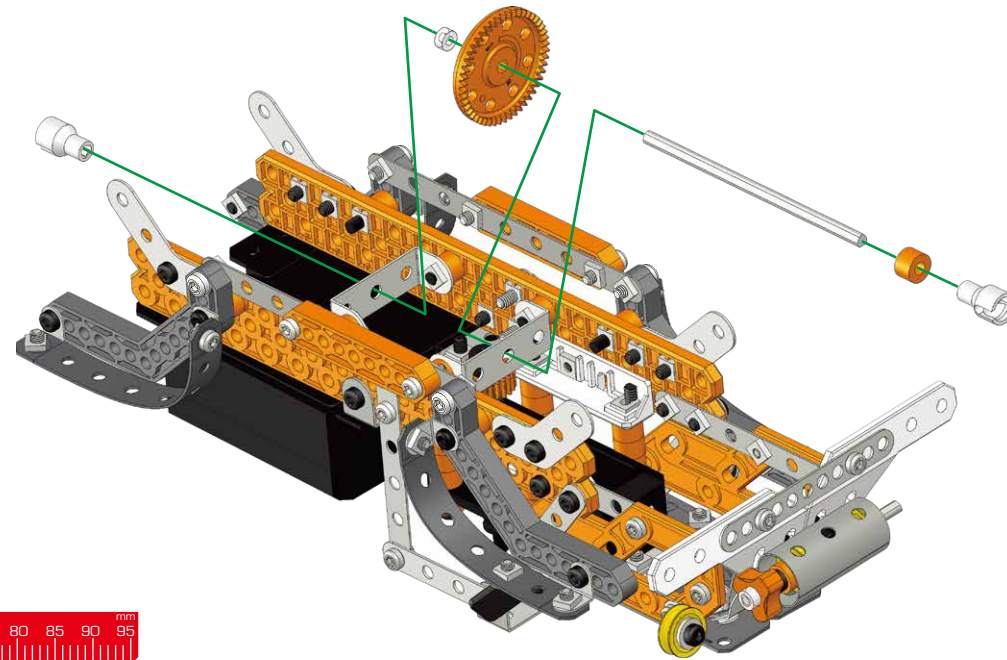


44 34+43



45

- x 1
- x 2
- x 1
- x 1
- x 1

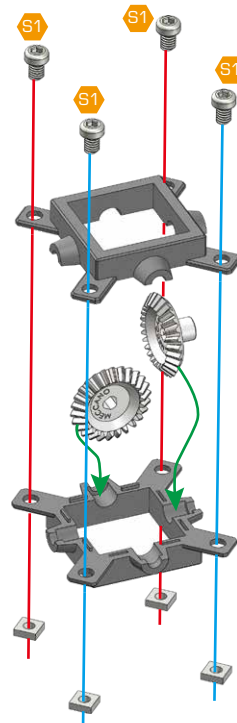


46

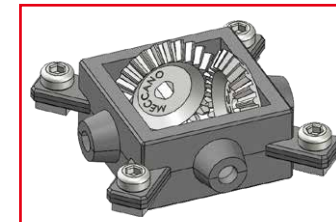
- x 8
- x 8
- x 4
- x 4

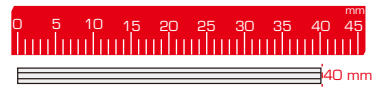
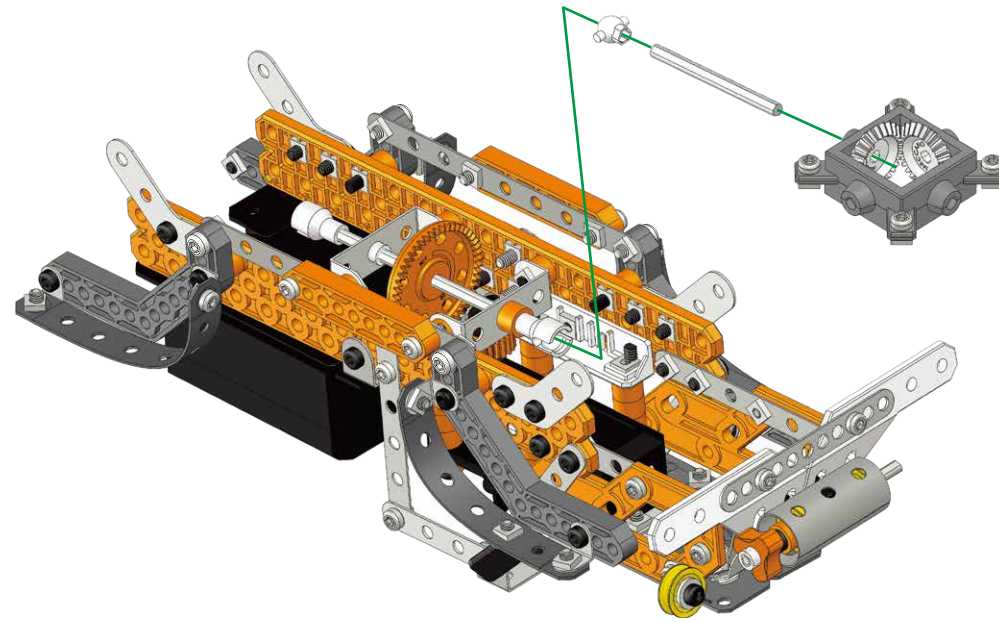
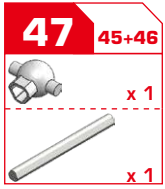


5.8 mm

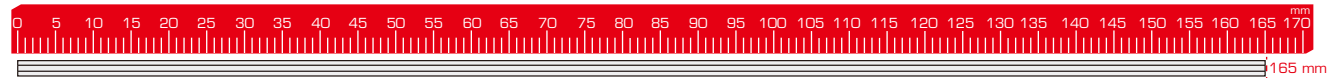
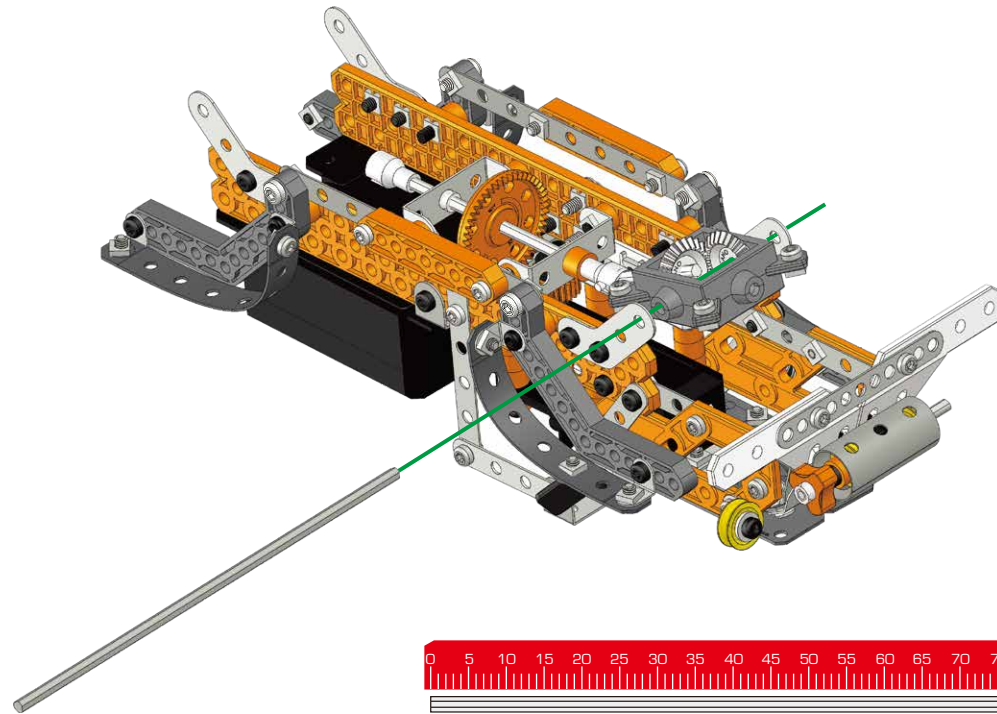


x 2

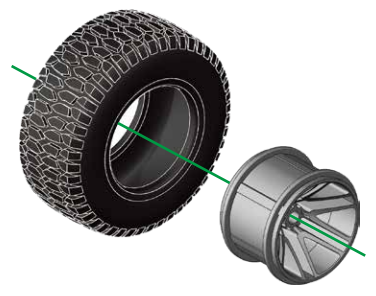
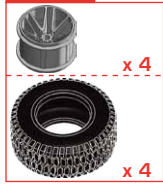




48



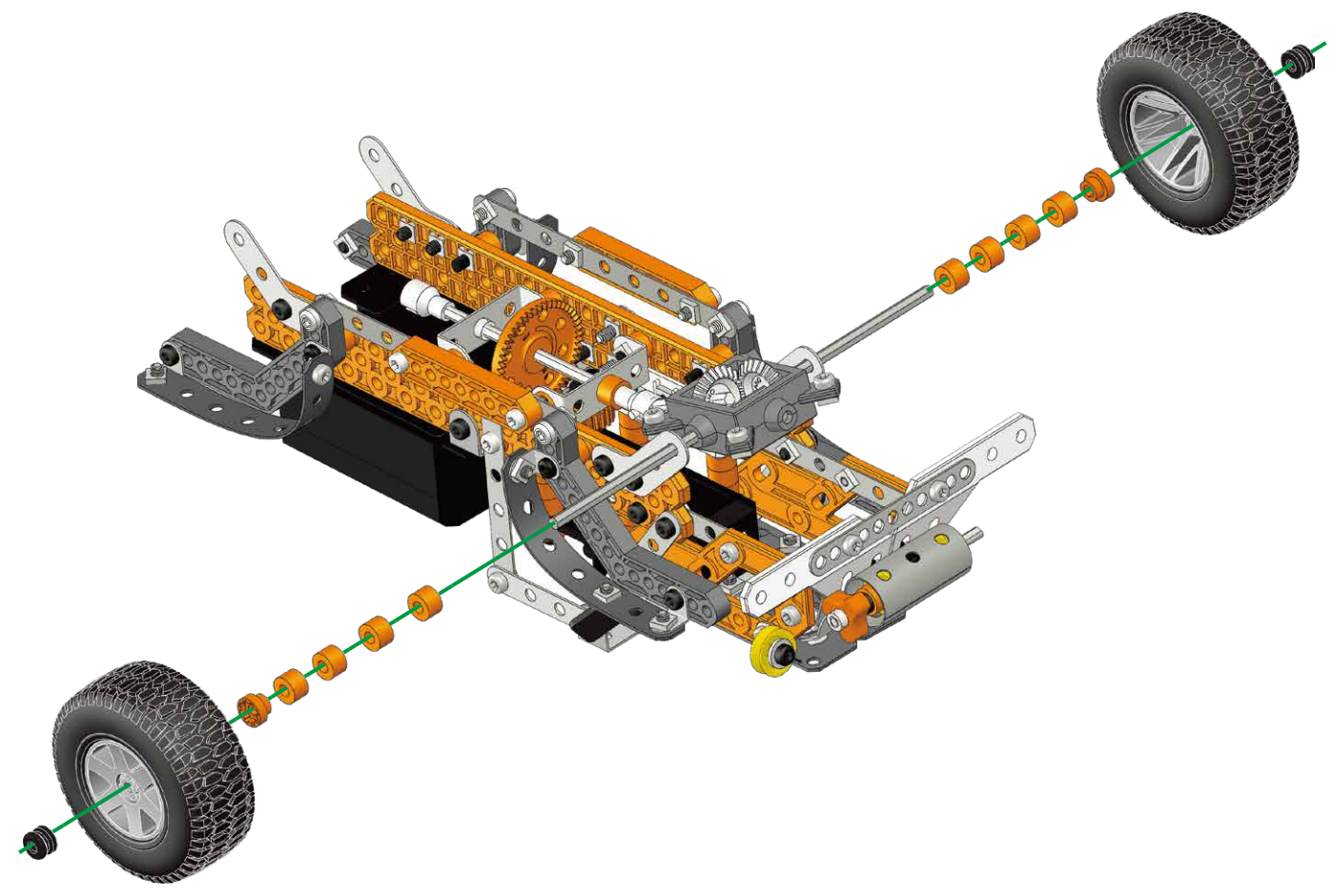
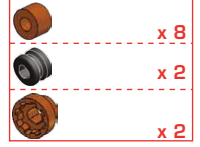
49



x 4



50 48+49



51 46+50

x 1

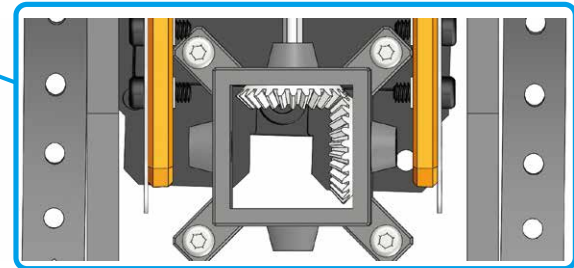
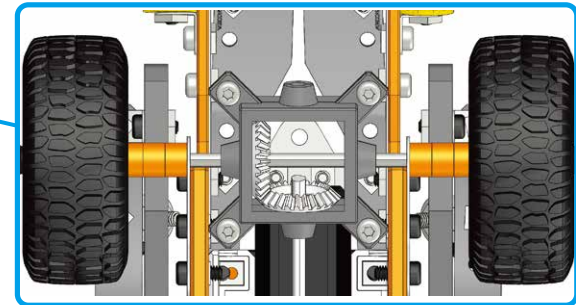
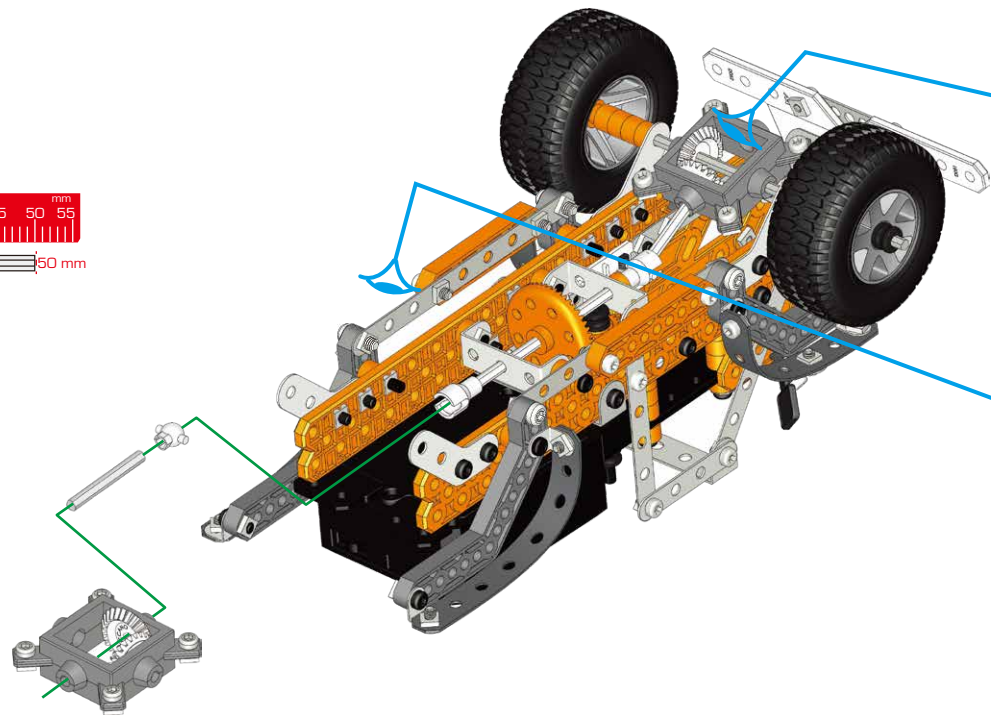
90°

x 1

mm

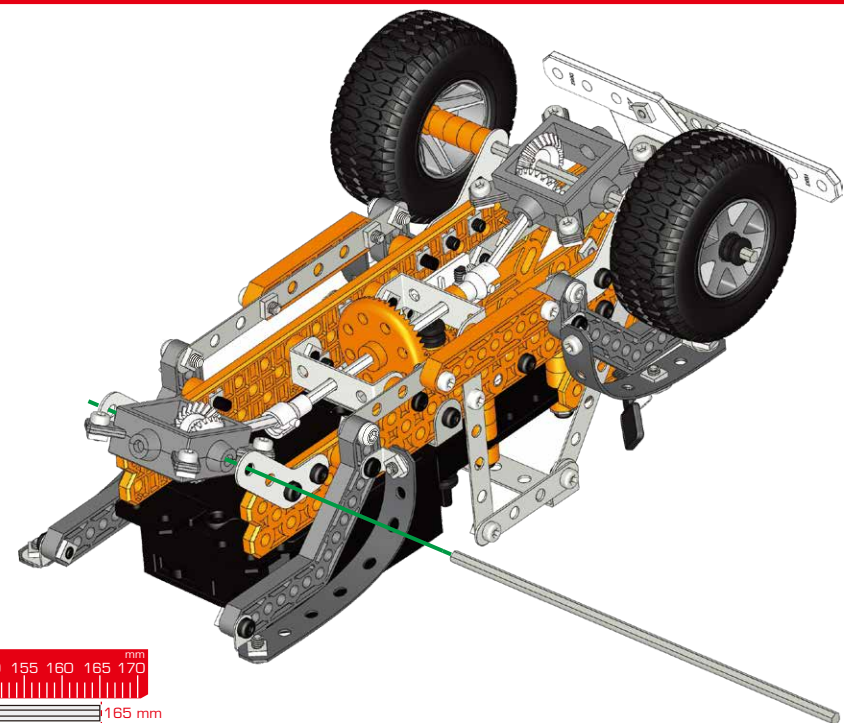
0 5 10 15 20 25 30 35 40 45 50 55

50 mm



52

x 1



mm

0 5 10 15 20 25 30 35 40 45 50 55 60 65 70 75 80 85 90 95 100 105 110 115 120 125 130 135 140 145 150 155 160 165 170

165 mm

53 49+52

	x 8
	x 2
	x 2

