




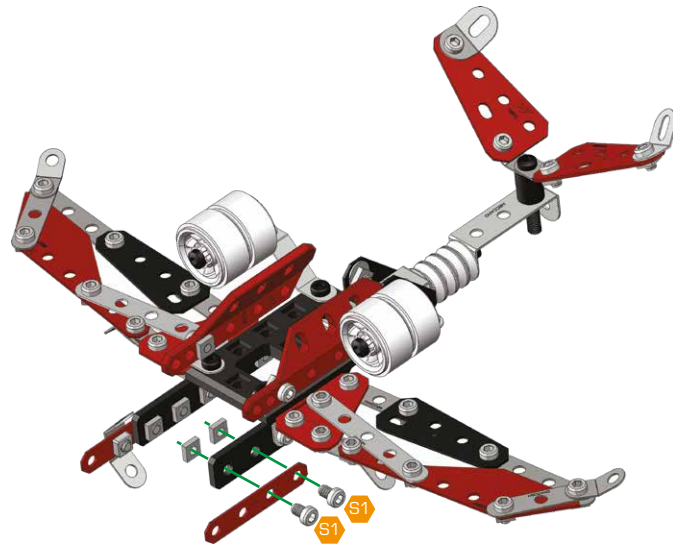


39




-  x 2
-  x 2
-  x 1


 5.8 mm


 5.8 mm



40






-  x 1
-  x 1
-  x 1


 5.8 mm


 5.8 mm

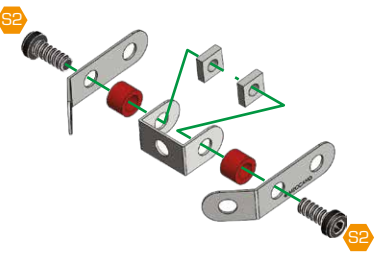


41



-  x 2
-  x 2
-  x 2
-  x 2
-  x 1

 9.5 mm


 9.5 mm

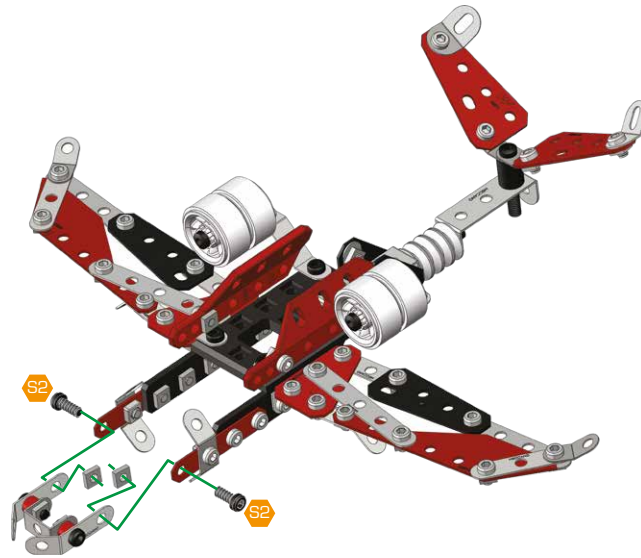


42 40+41





-  x 2
-  x 2

0 5 10 mm


-  9.5 mm

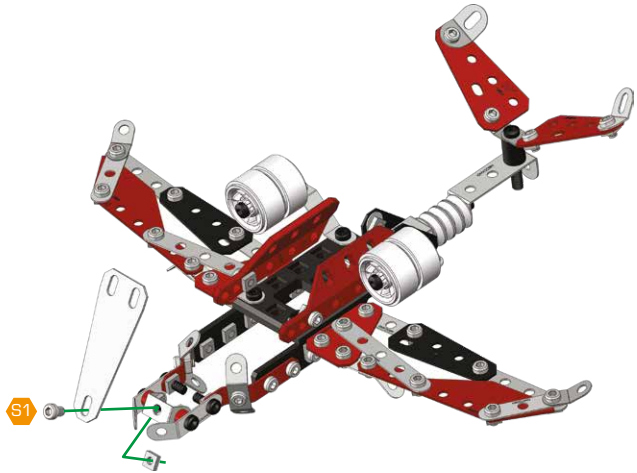


43




-  x 1
-  x 1
-  x 1
-  x 1

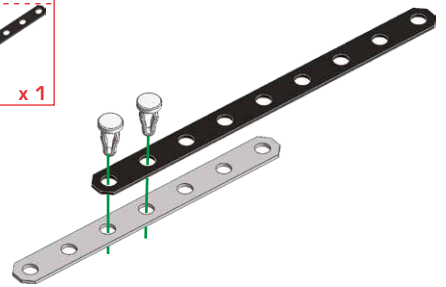
0 5 10 mm

-  5.8 mm







44

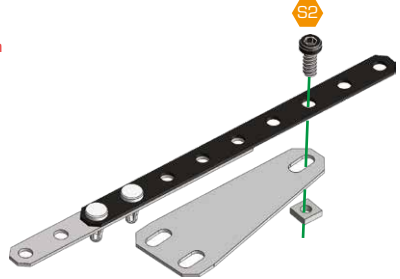
-  x 2
-  x 1
-  x 1






45


-  x 1
-  x 1
-  x 1

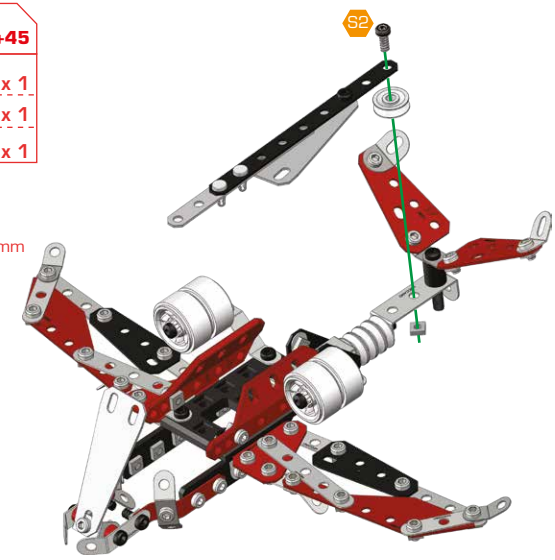
 9.5 mm






46 43+45


-  x 1
-  x 1
-  x 1

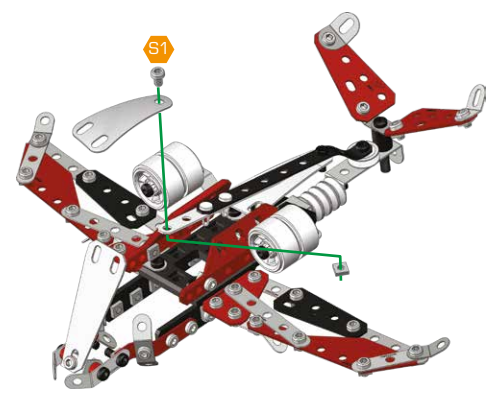
 9.5 mm





47


-  x 1
-  x 1
-  x 1

 5.8 mm



48

-  x 2
-  x 2

 19 mm

