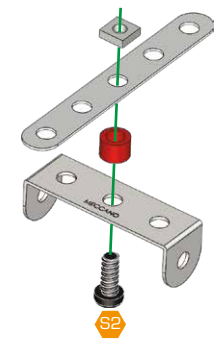


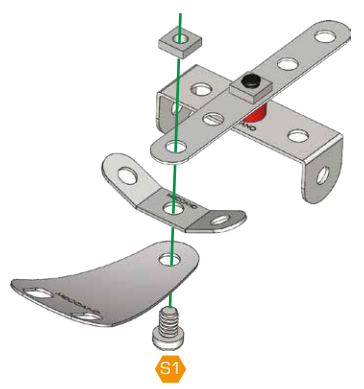
1

- x 1
- x 1
- x 1
- x 1
- x 1
- 9.5 mm



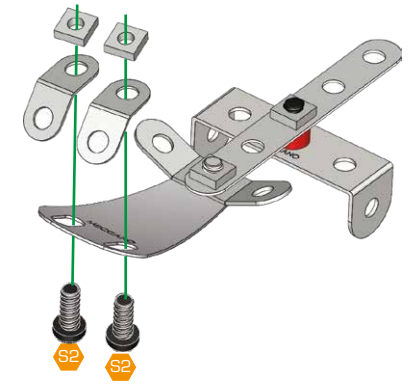
2

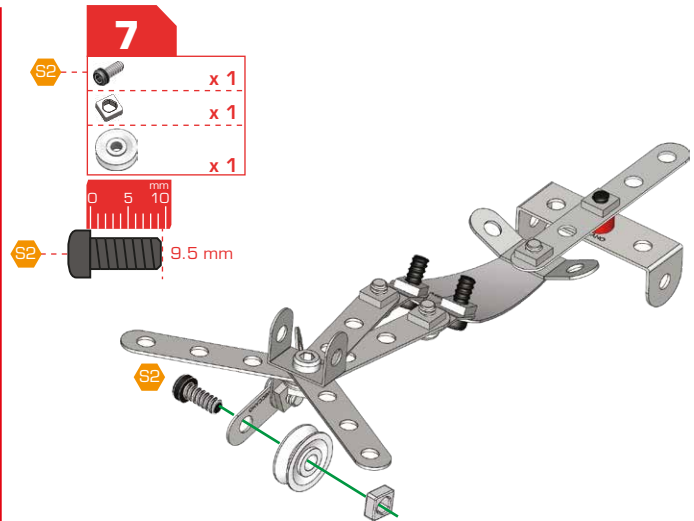
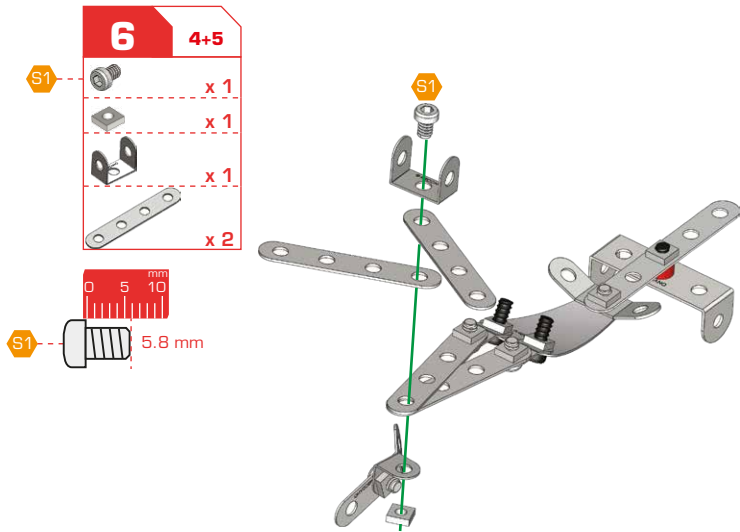
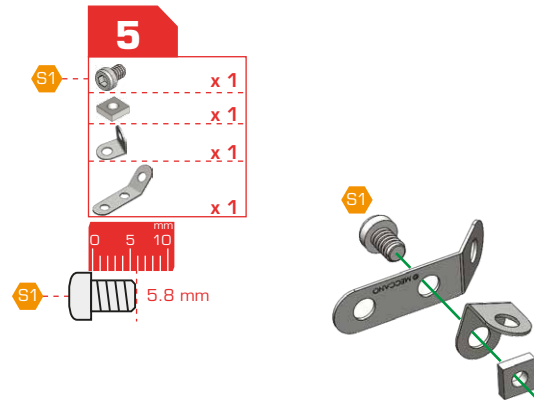
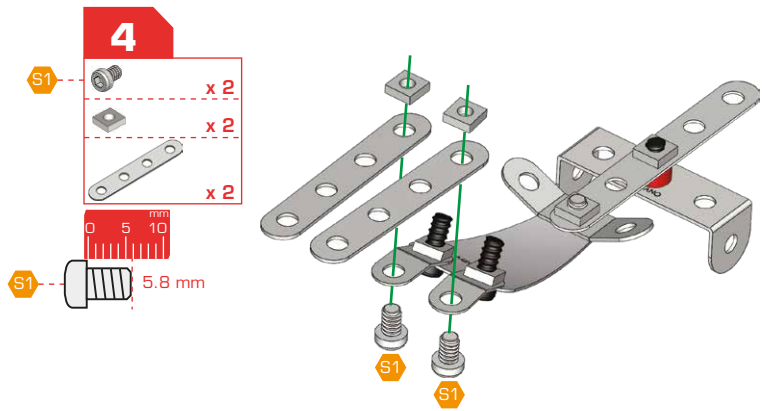
- x 1
- x 1
- x 1
- x 1
- 5.8 mm

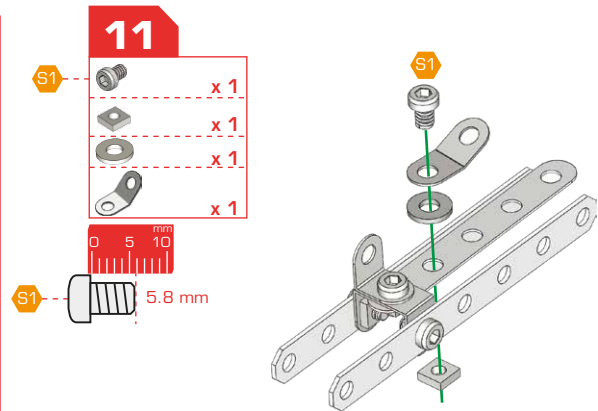
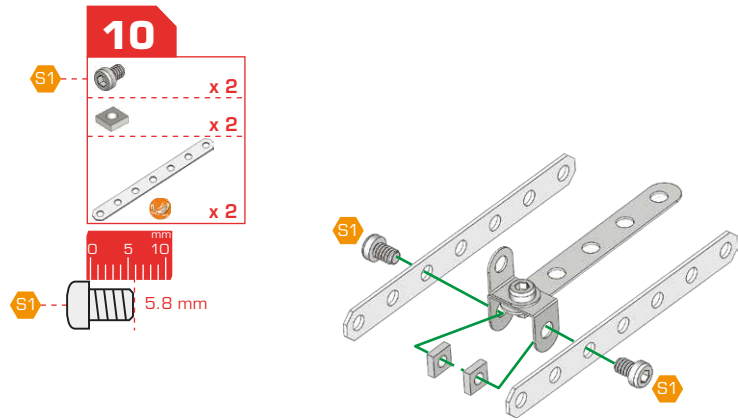
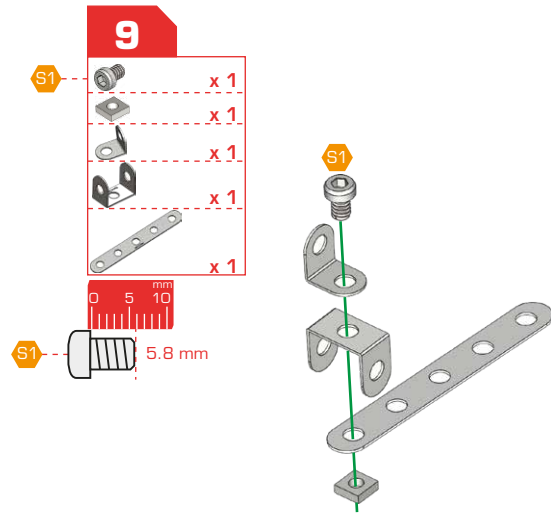
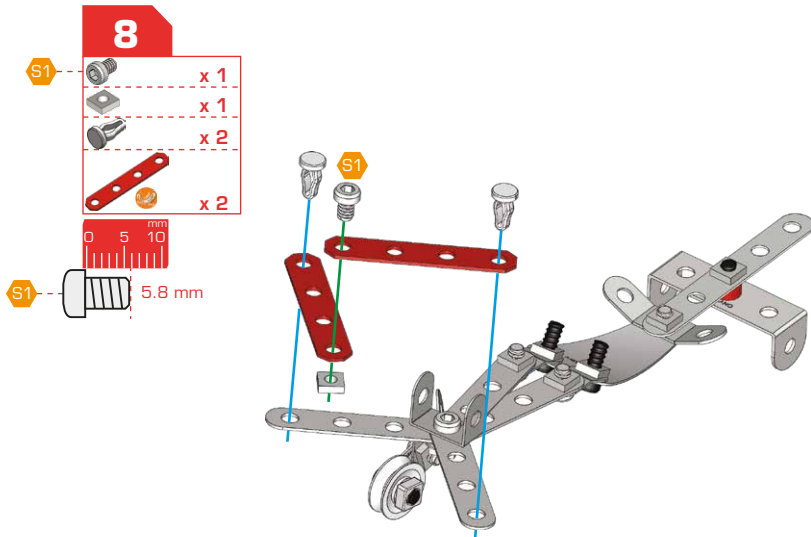


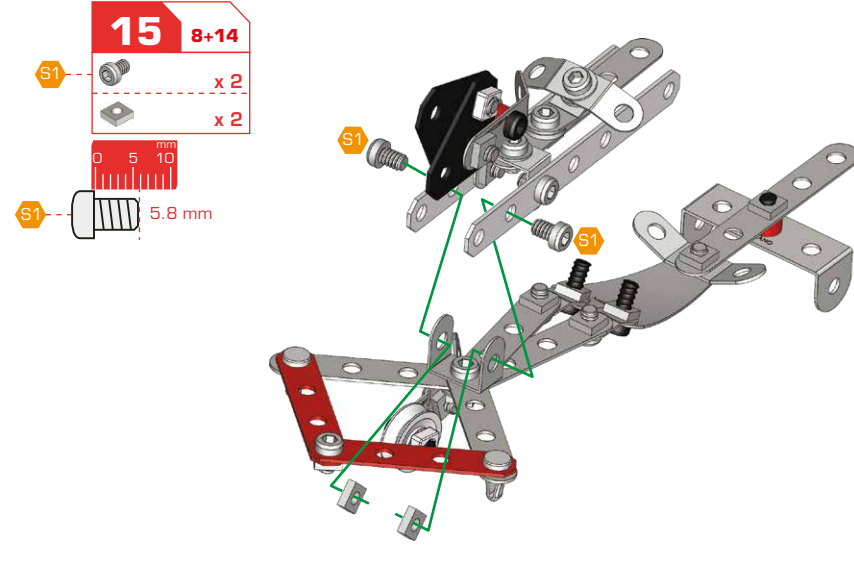
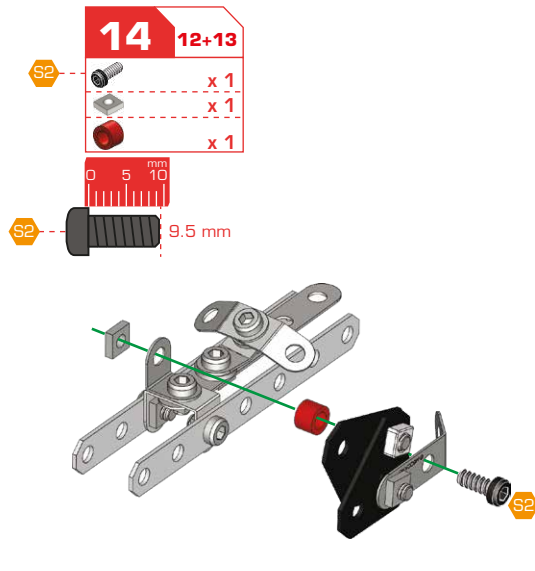
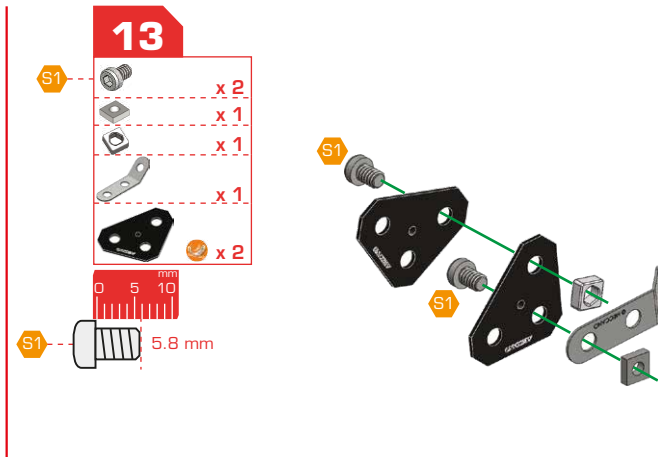
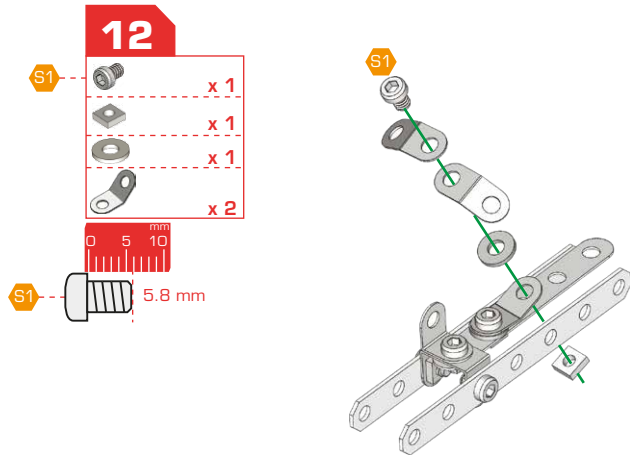
3

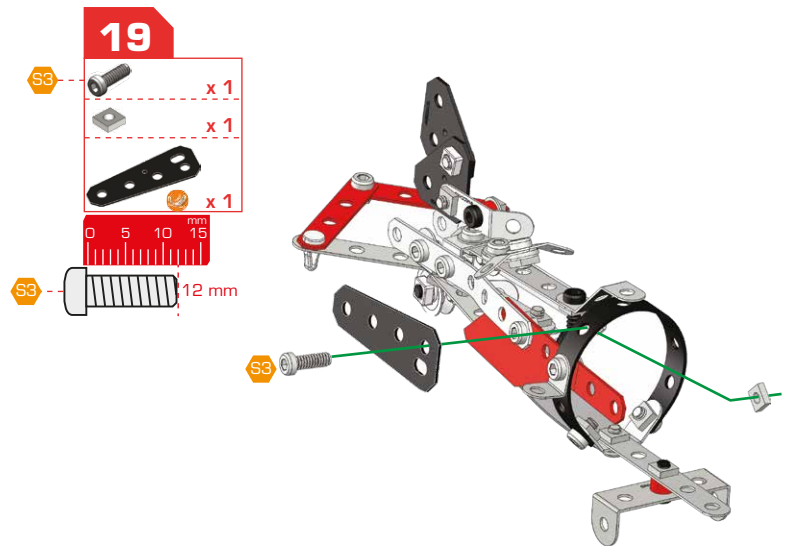
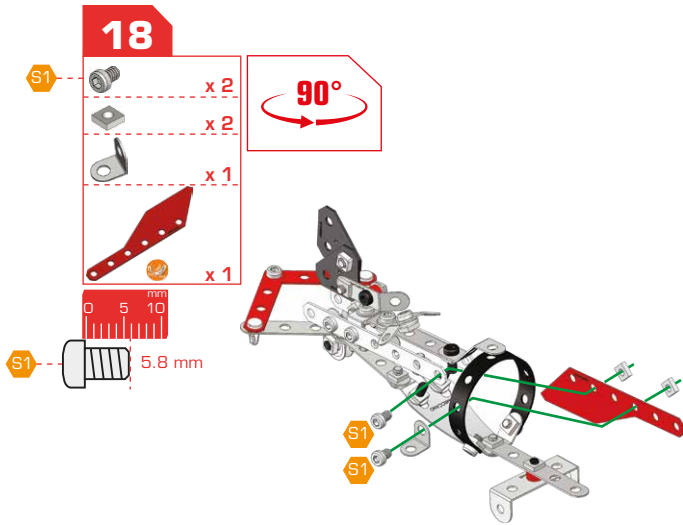
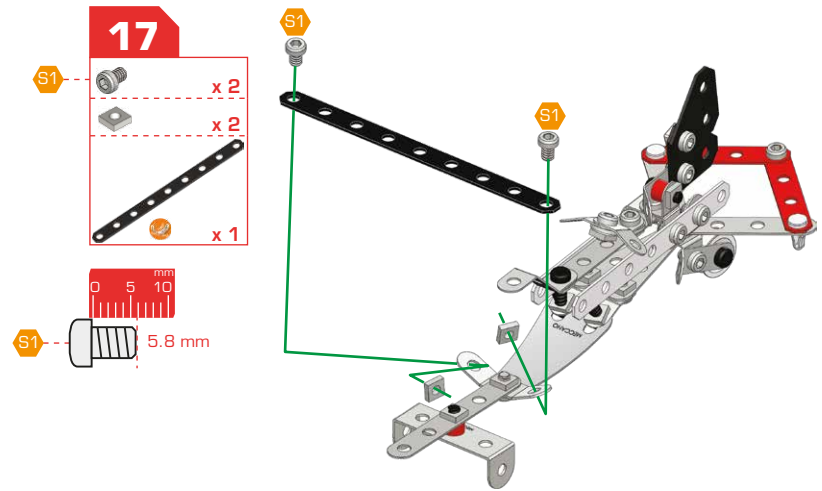
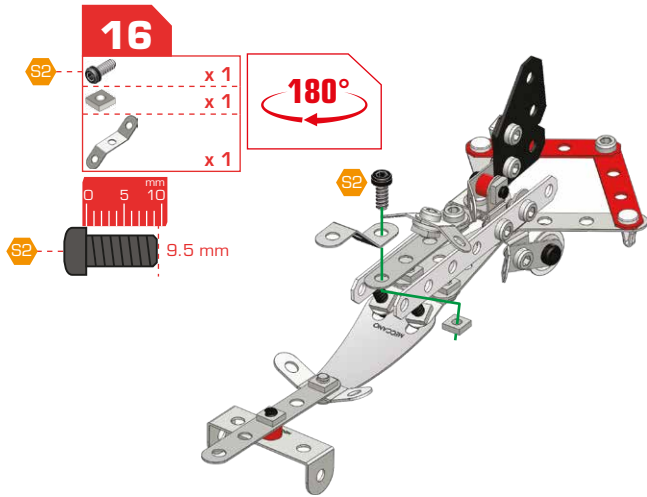
- x 2
- x 2
- x 2
- 9.5 mm

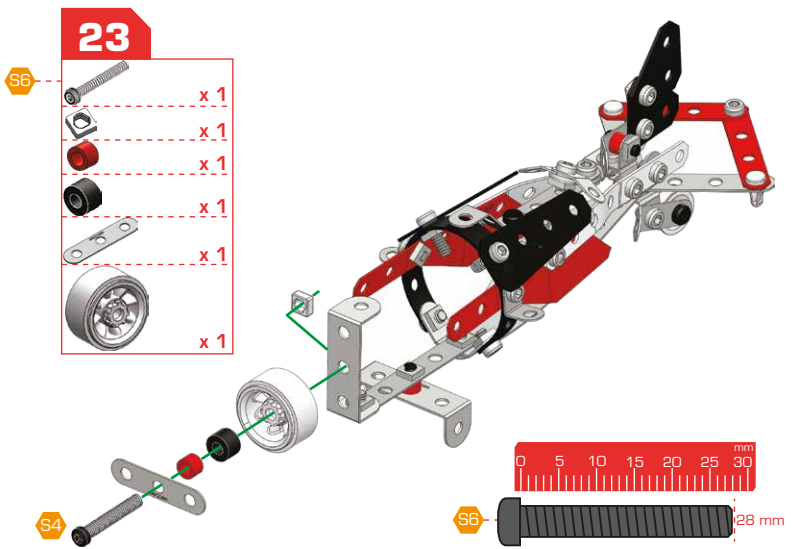
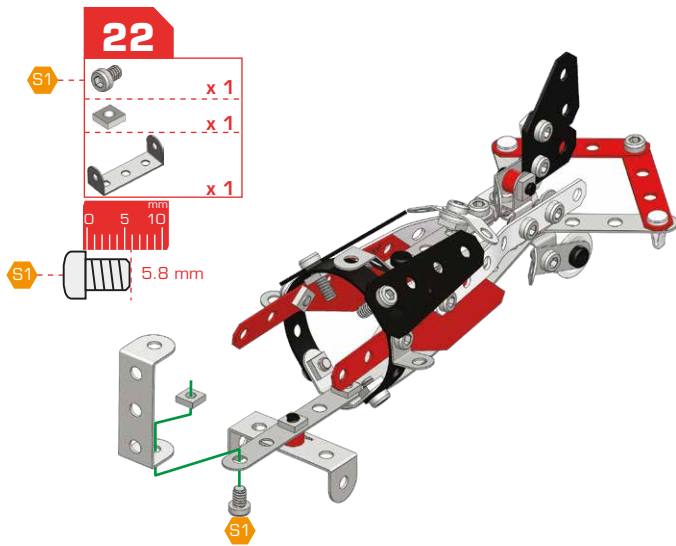
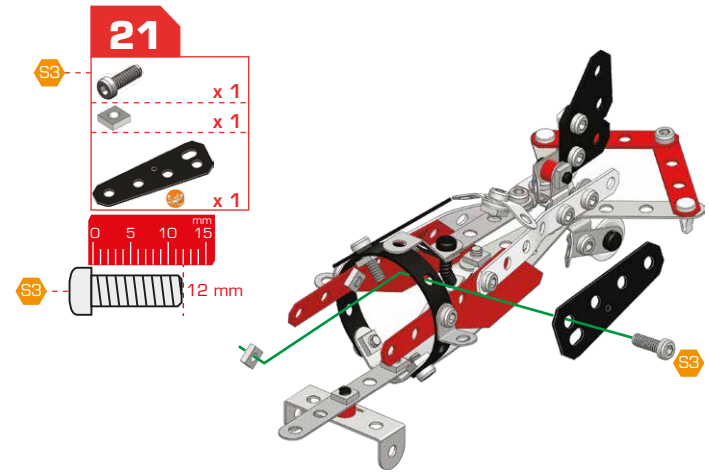
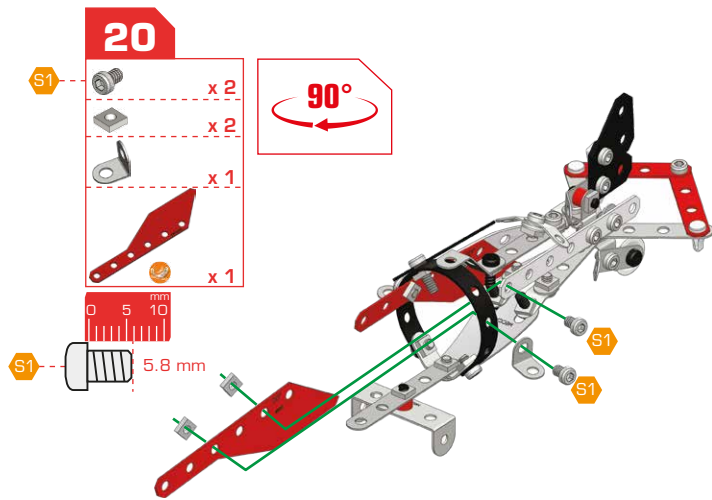


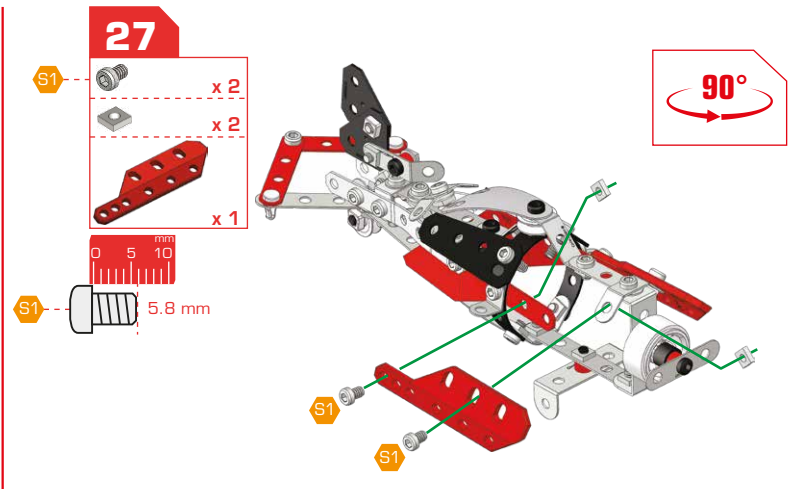
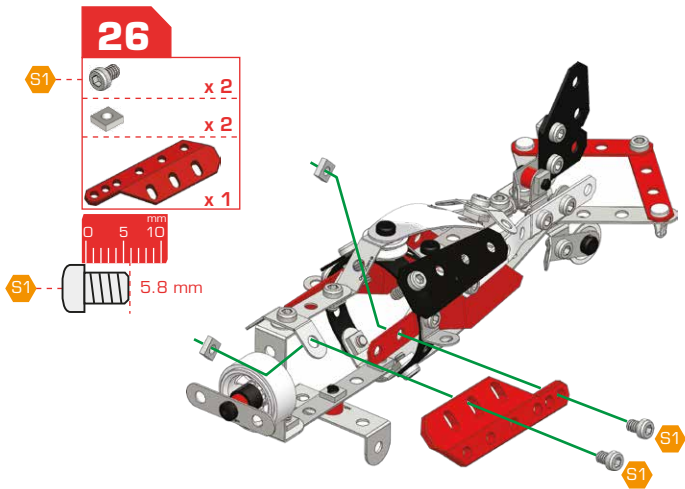
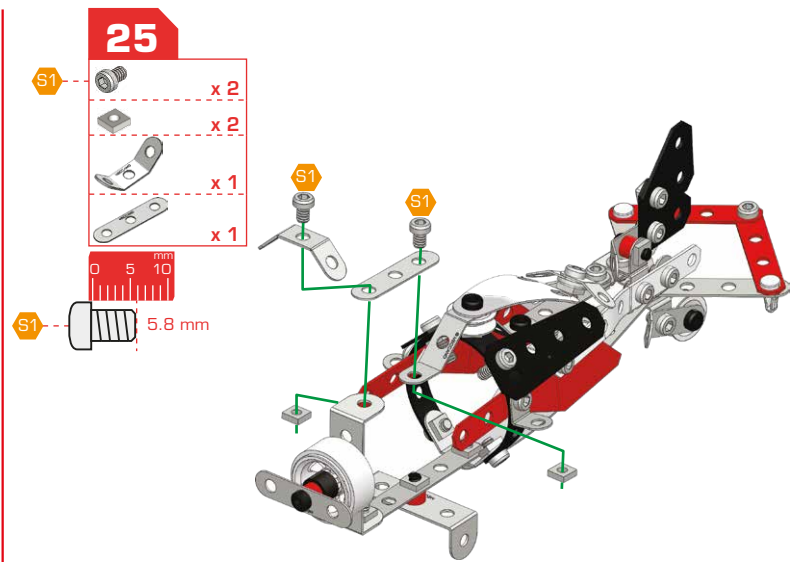
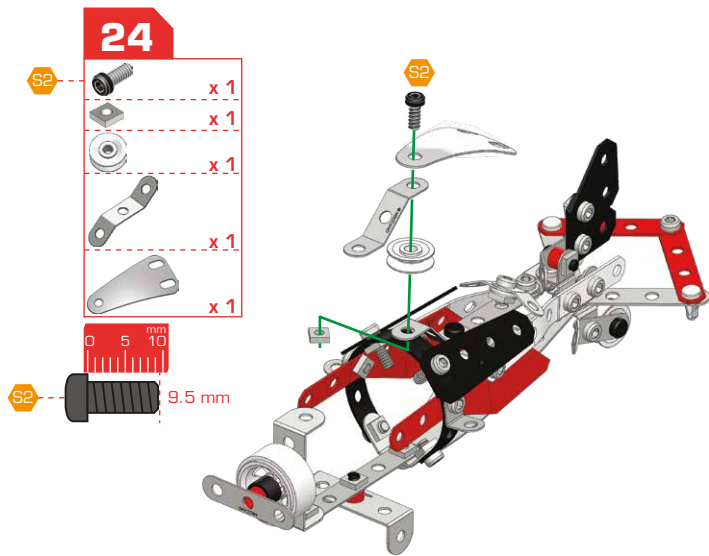


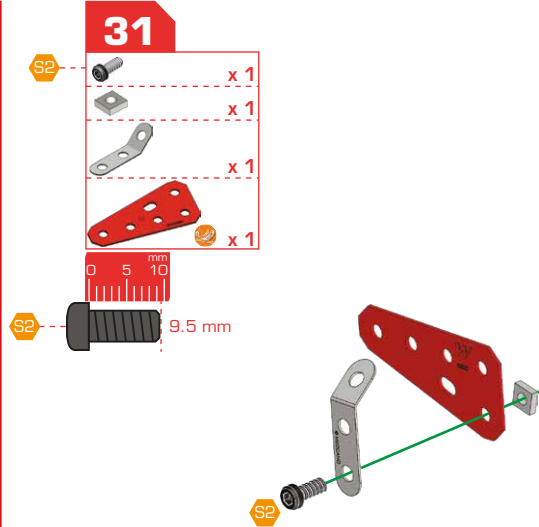
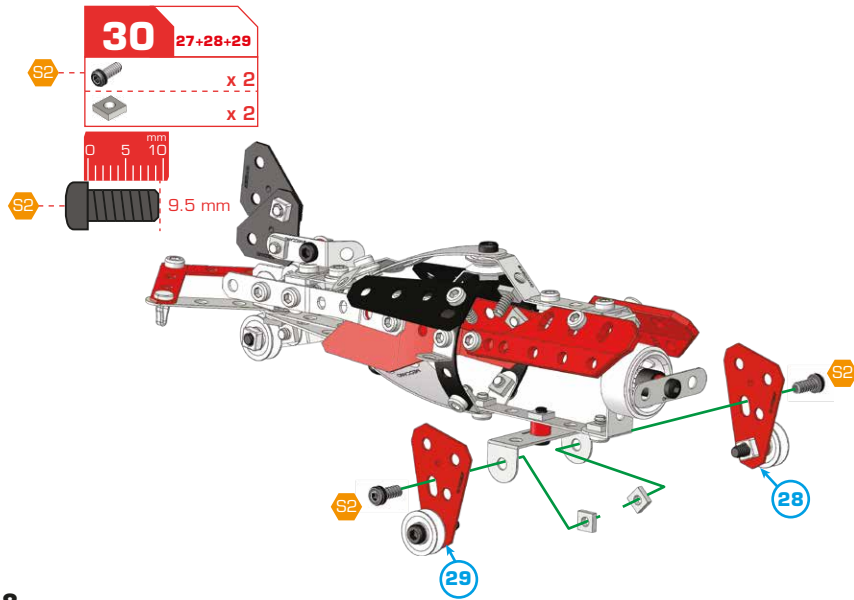
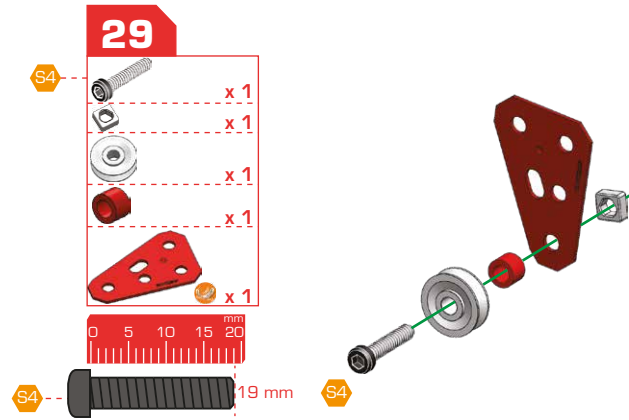
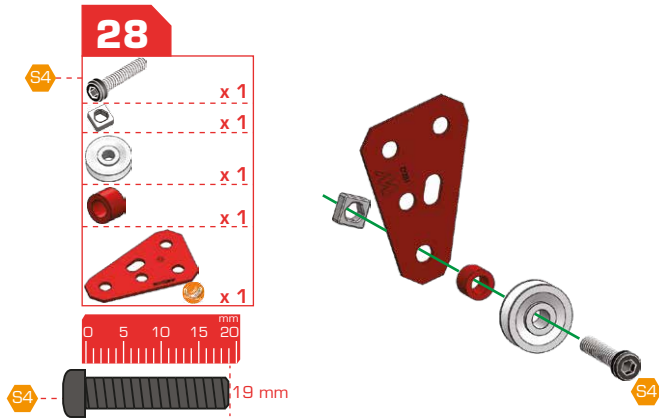


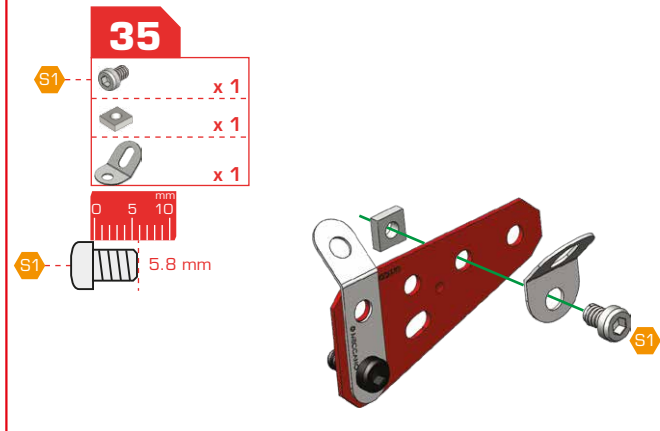
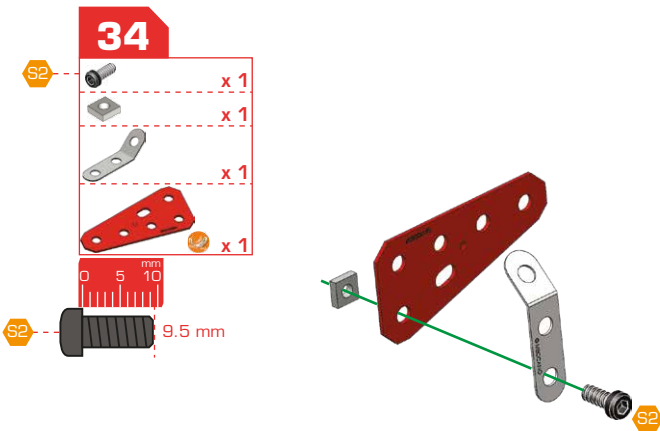
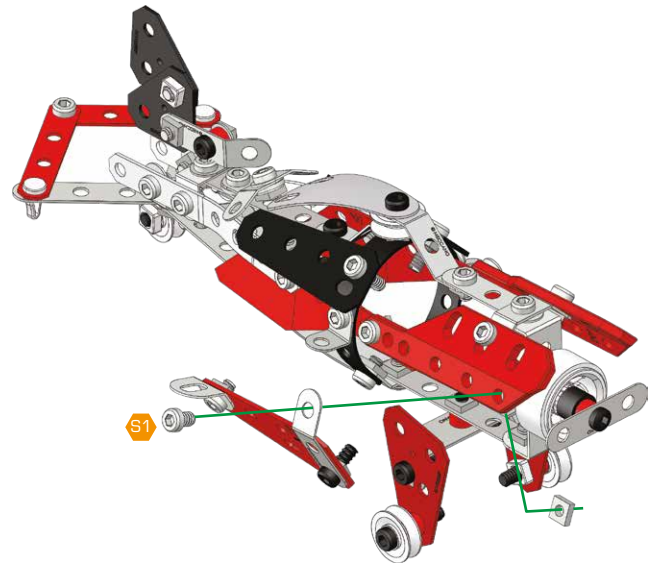
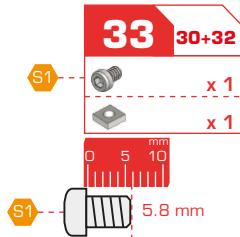
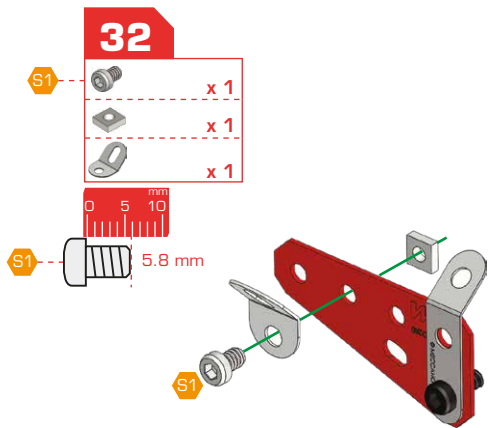


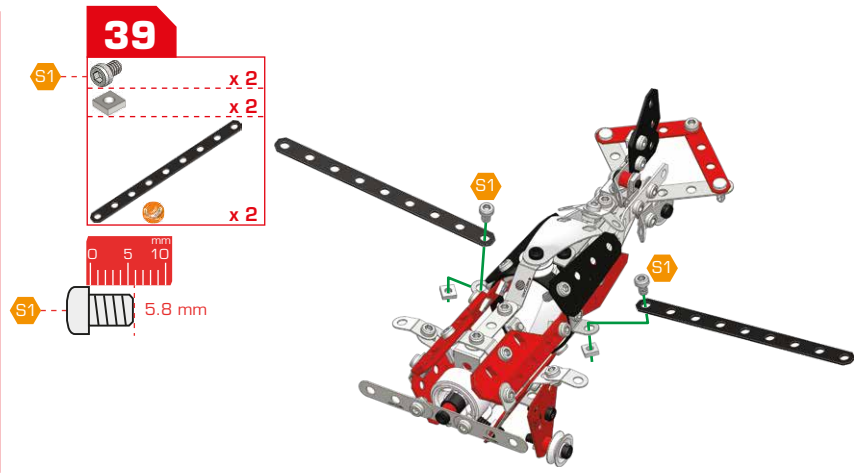
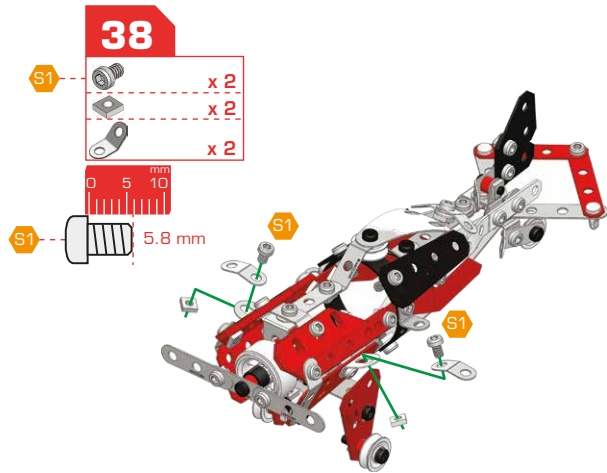
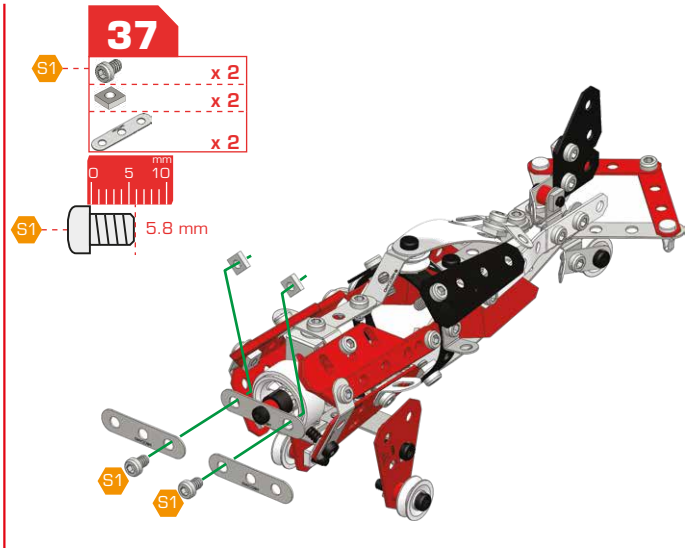
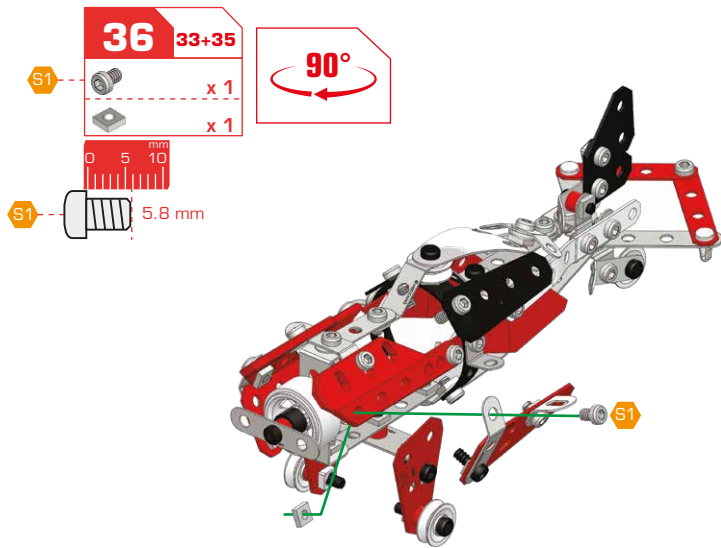


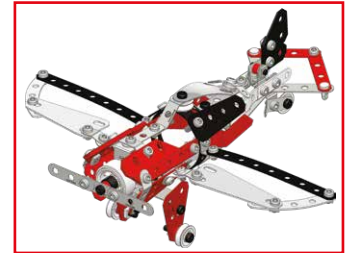
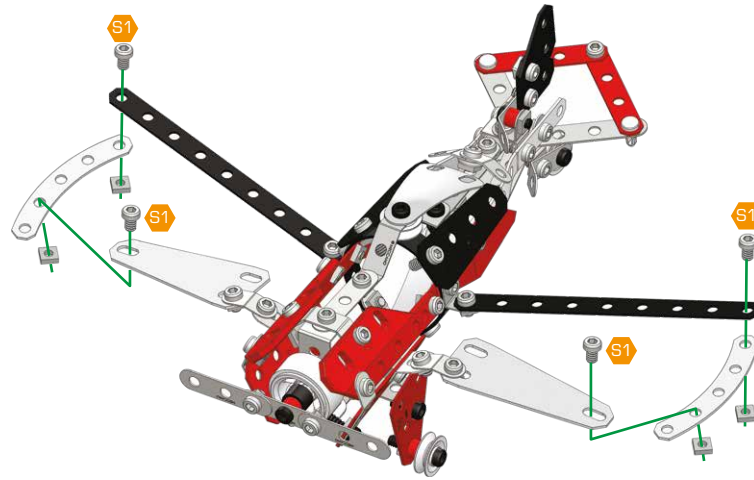
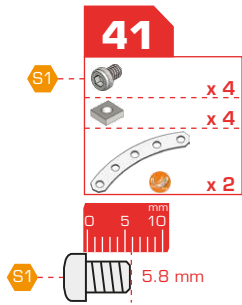
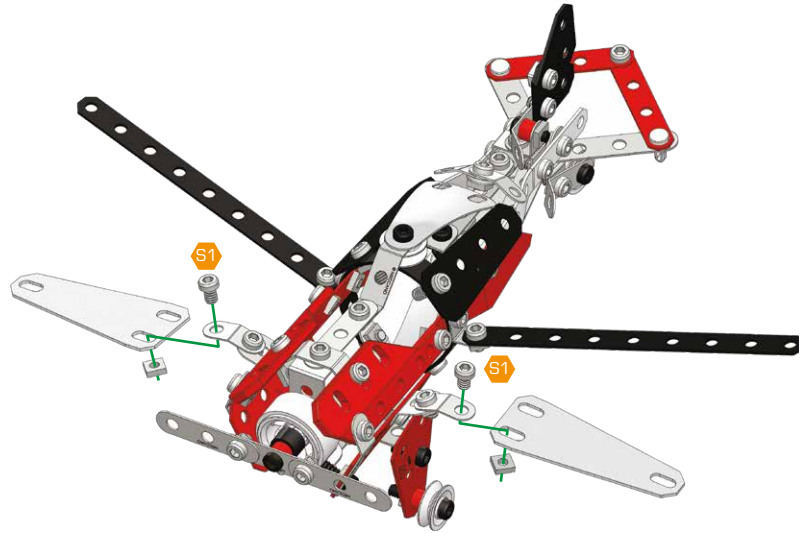
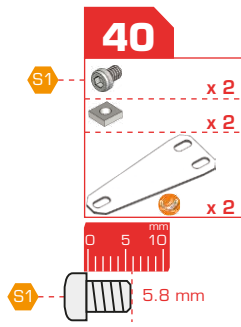












42

