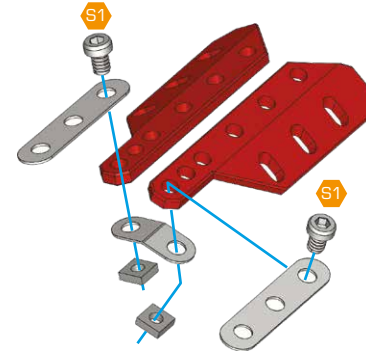




1

S1		x 2
		x 2
		x 1
		x 2
		x 1
		x 1

S1 5.8 mm



2

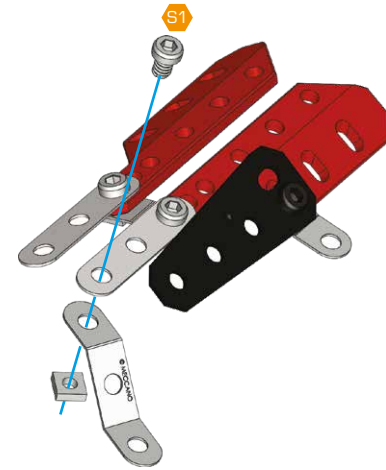
S2		x 1
		x 1
		x 1
		x 1

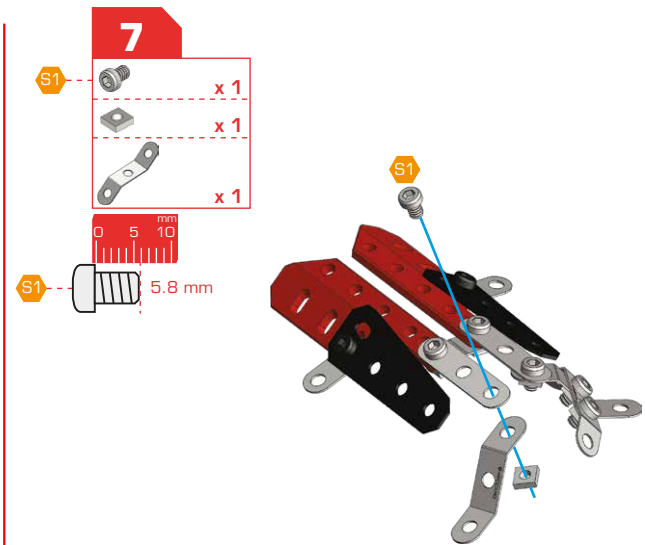
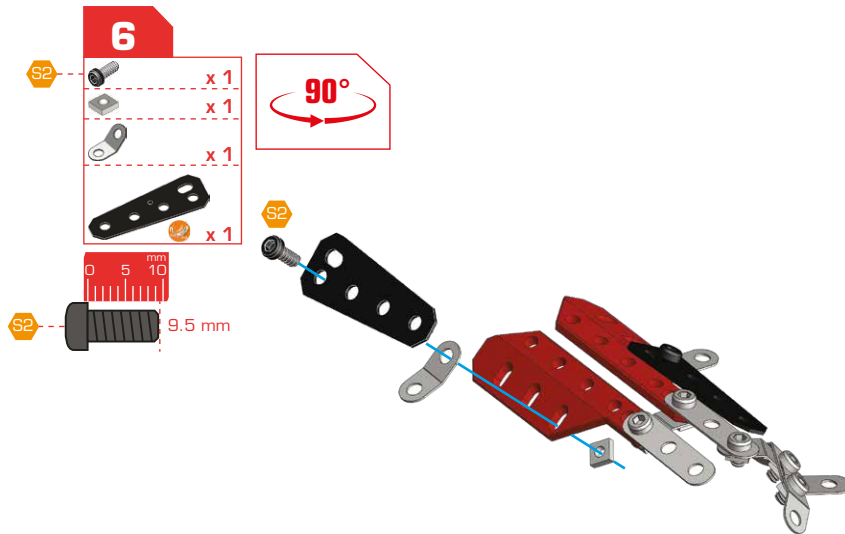
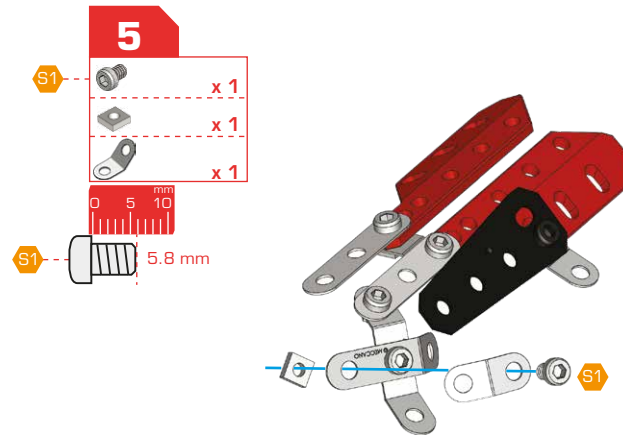
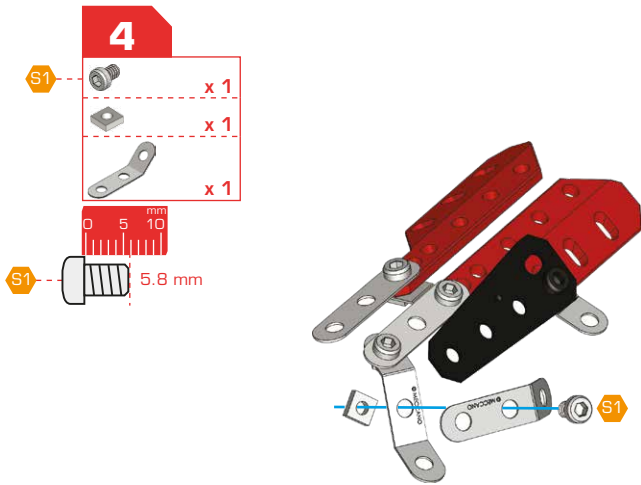
S2 9.5 mm

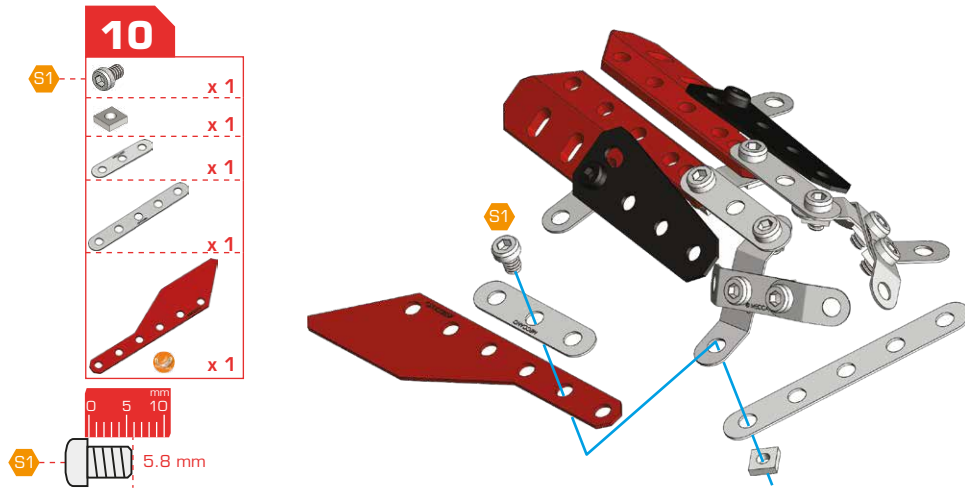
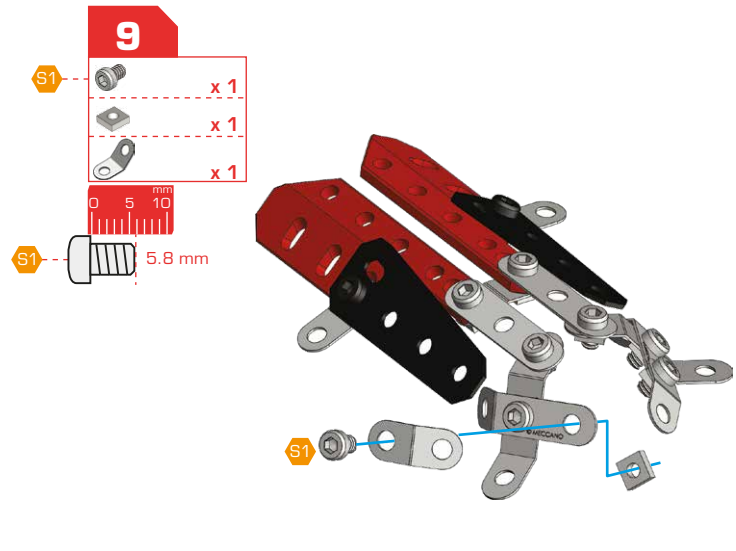
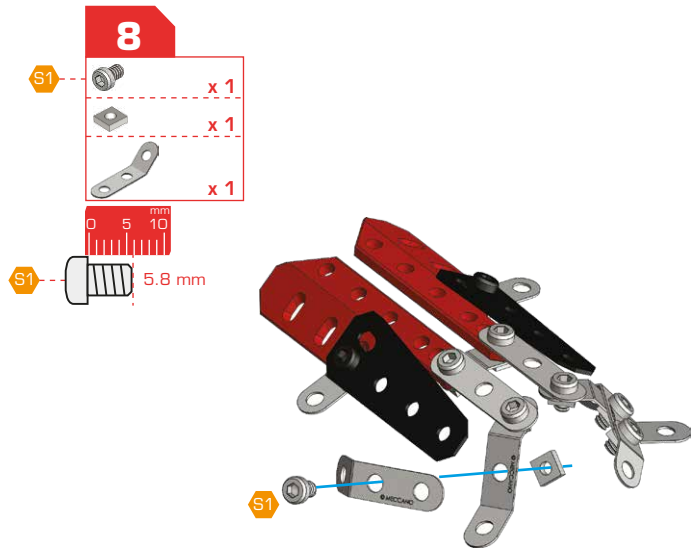
3

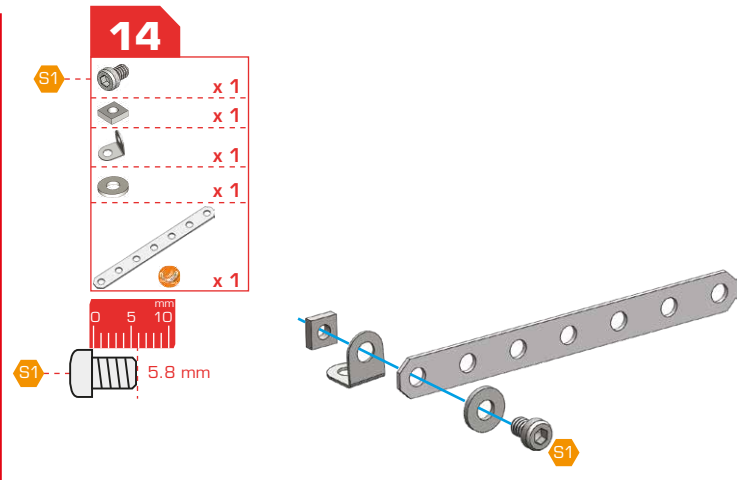
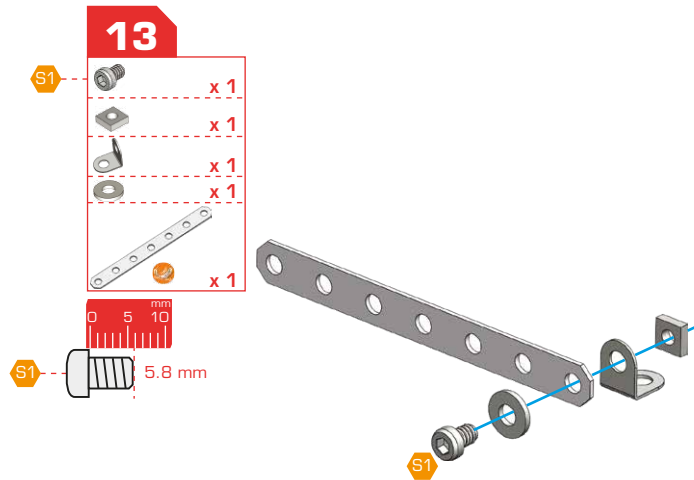
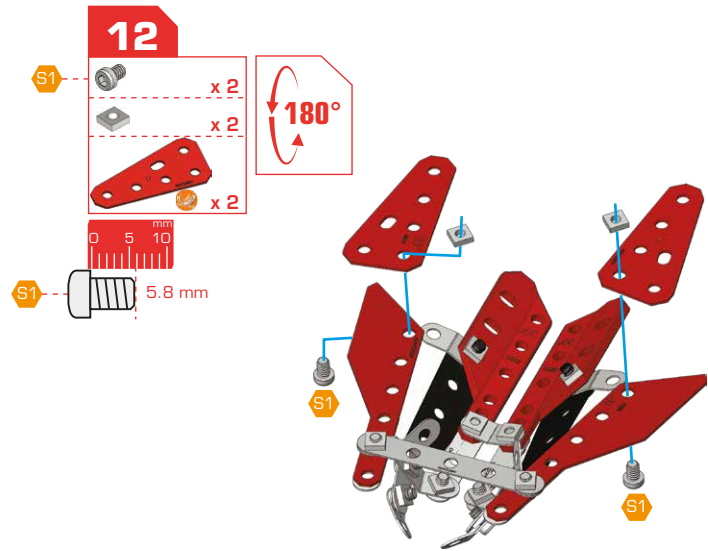
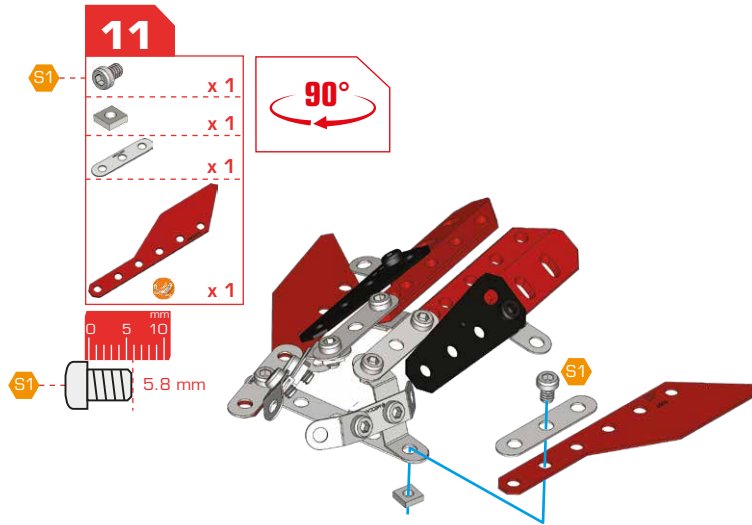
S1		x 1
		x 1
		x 1

S1 5.8 mm





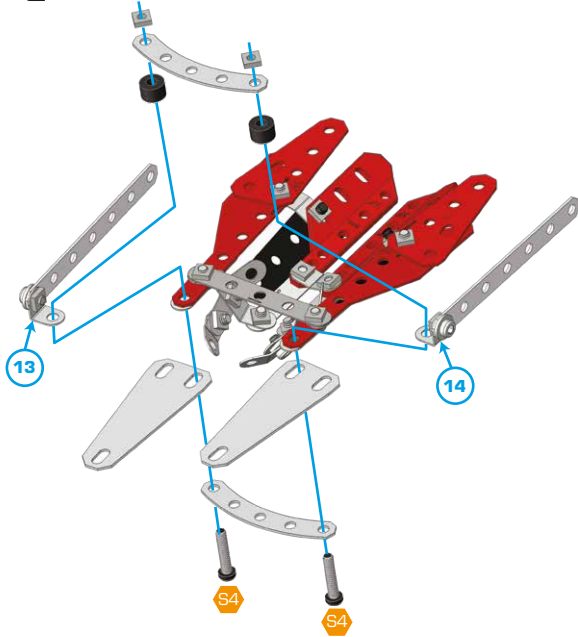




15 12+13+14

- S4 x 2
- x 2
- x 2
- x 2
- x 2

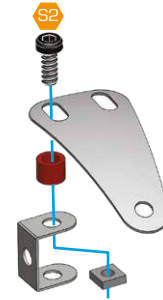
S4 19 mm



16

- S2 x 1
- x 1
- x 1
- x 1
- x 1

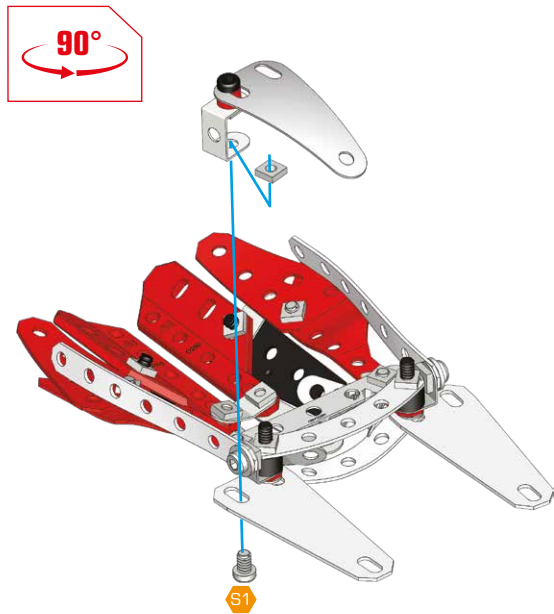
S2 9.5 mm

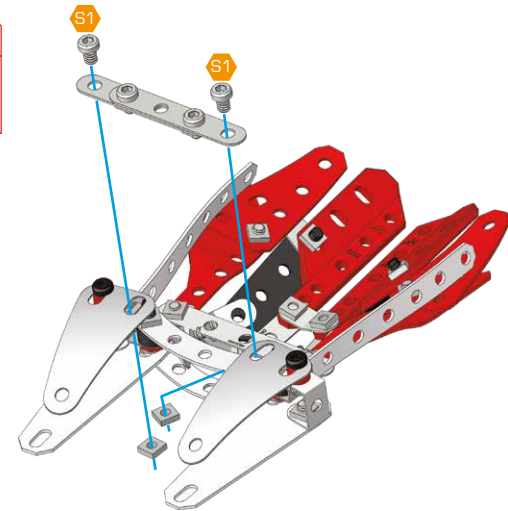
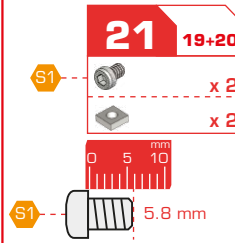
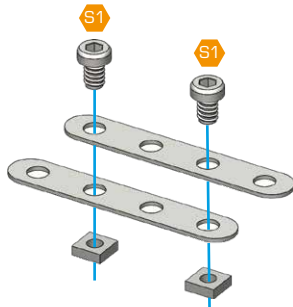
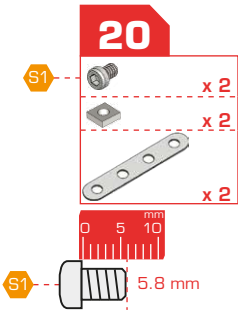
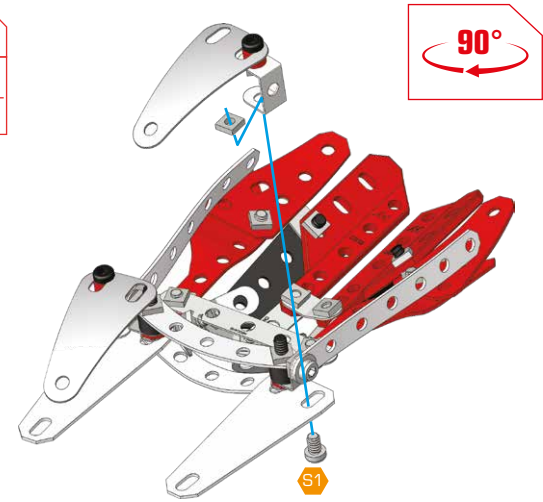
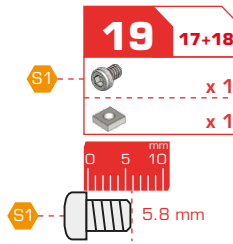
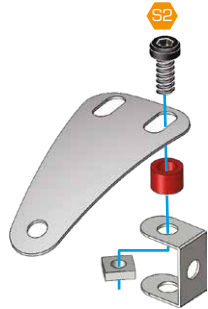
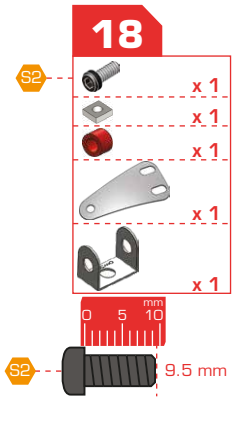


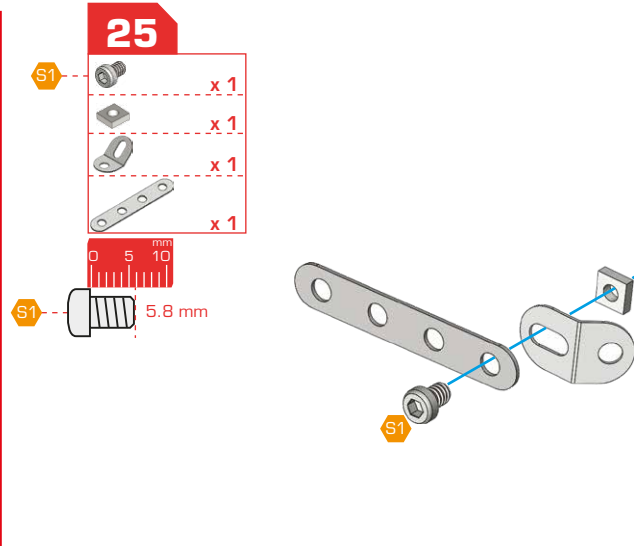
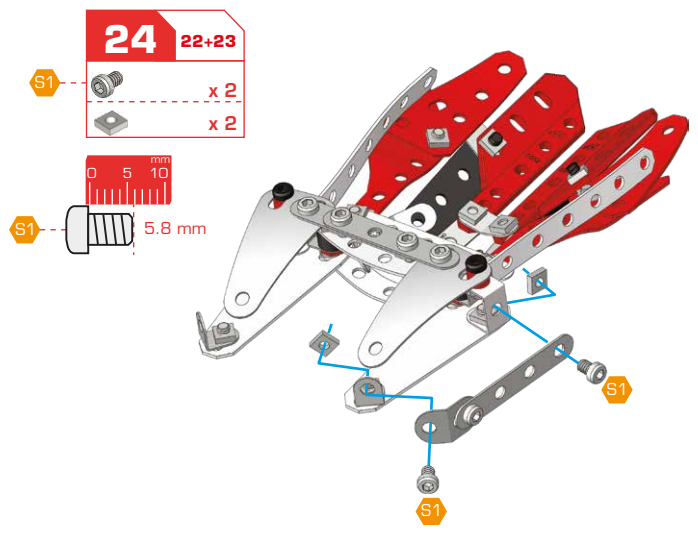
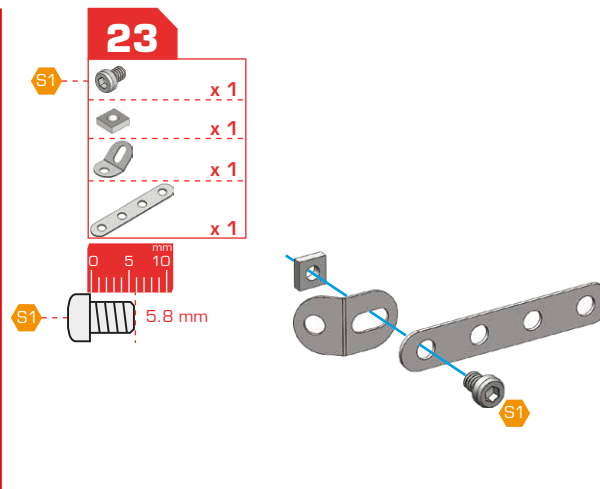
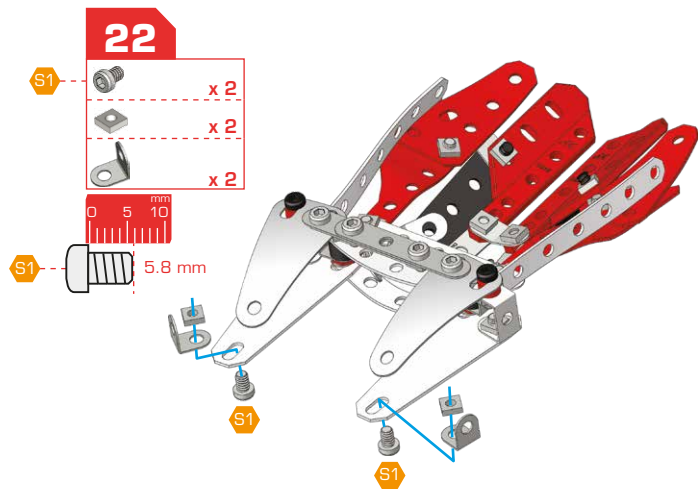
17 15+16

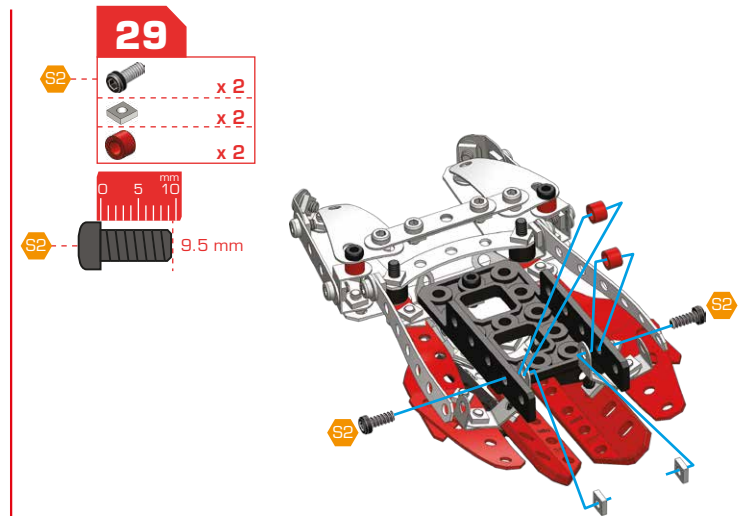
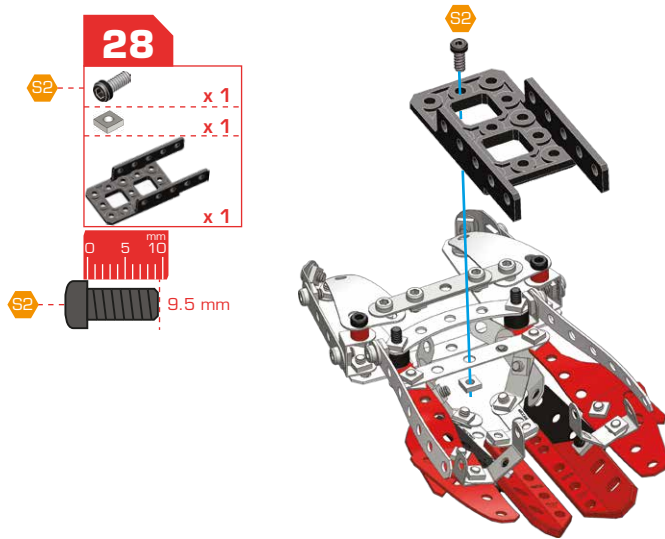
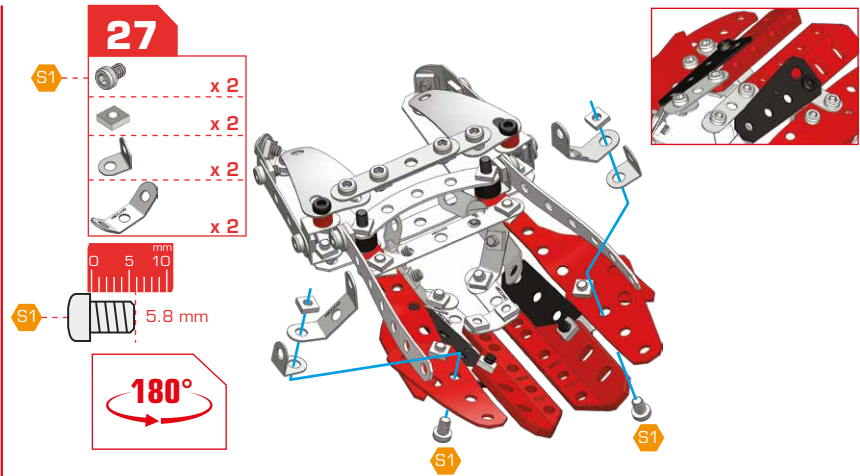
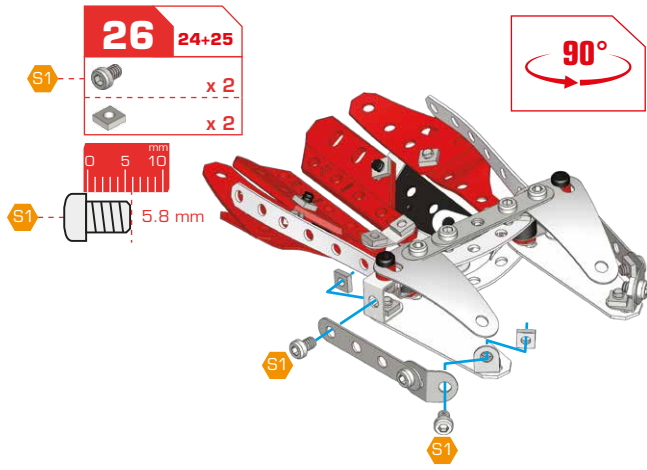
- S1 x 1
- x 1

S1 5.8 mm



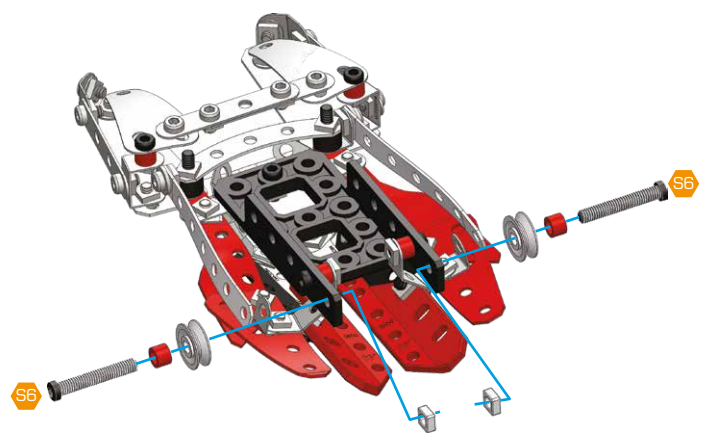






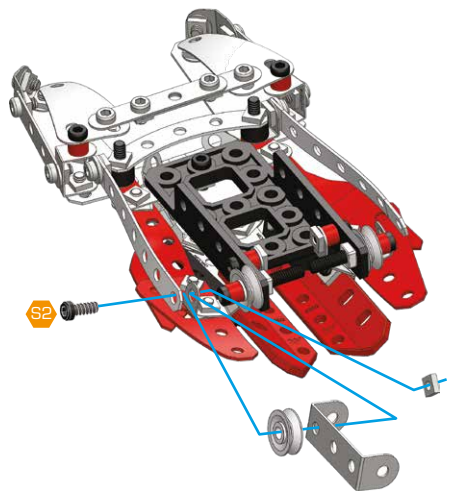
30

- S6 - Bolt x 2
- Nut x 2
- Washer x 2
- Red Pin x 2



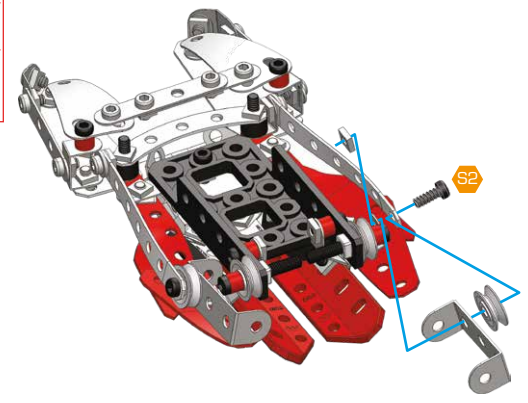
31

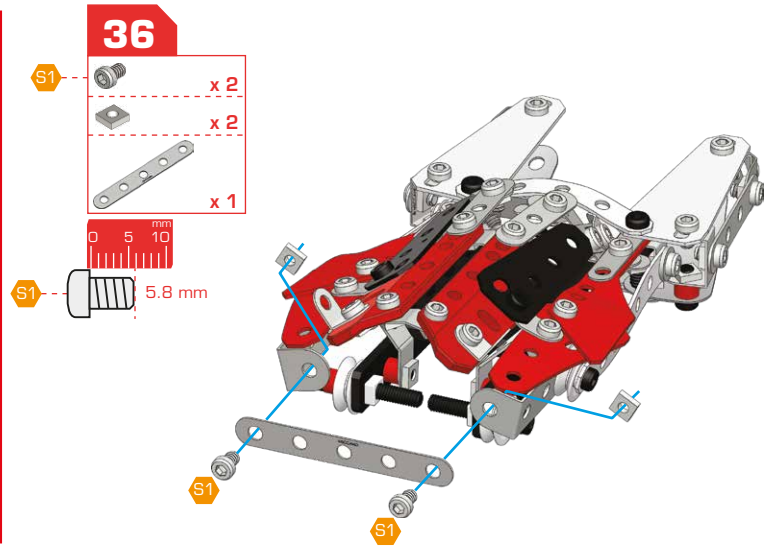
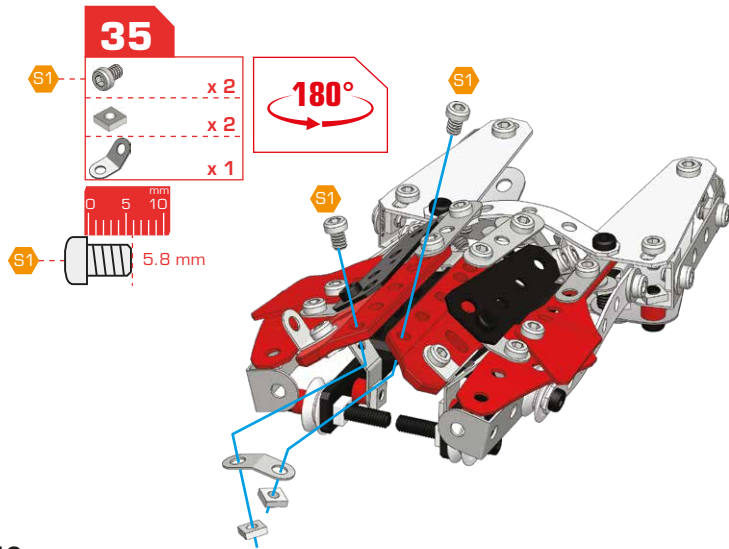
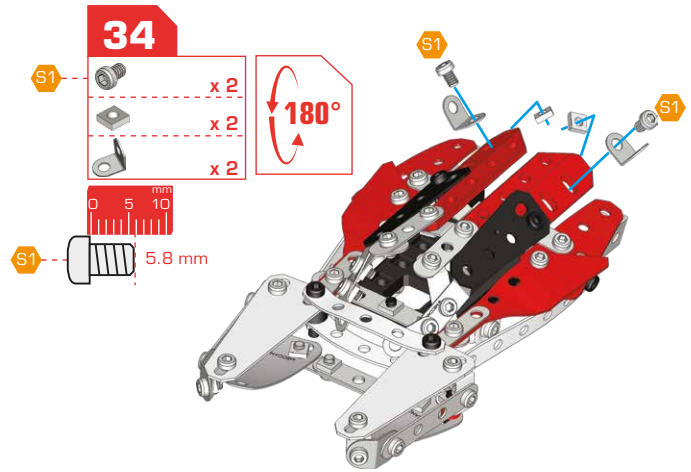
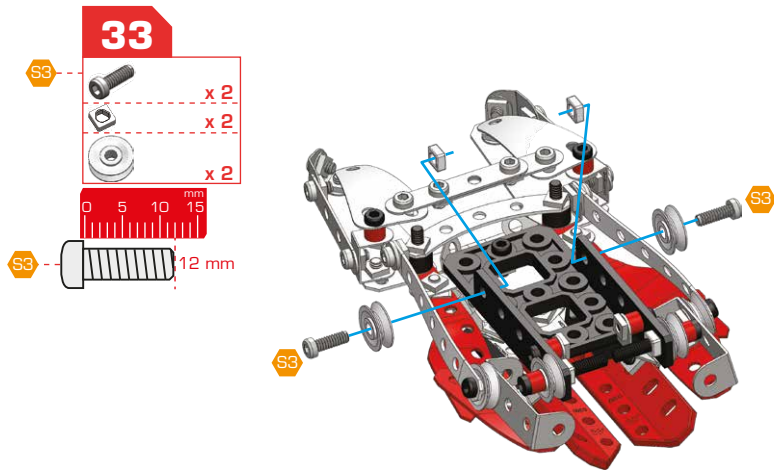
- S2 - Pin x 1
- Nut x 1
- Washer x 1
- Grey L-Bracket x 1

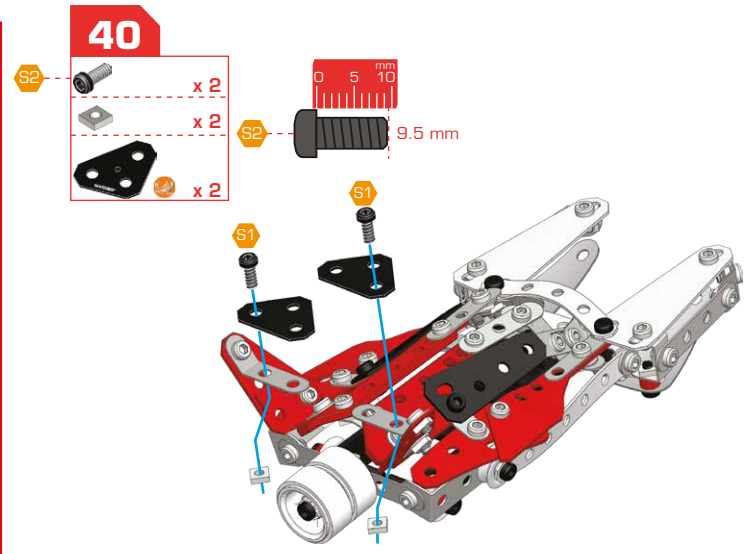
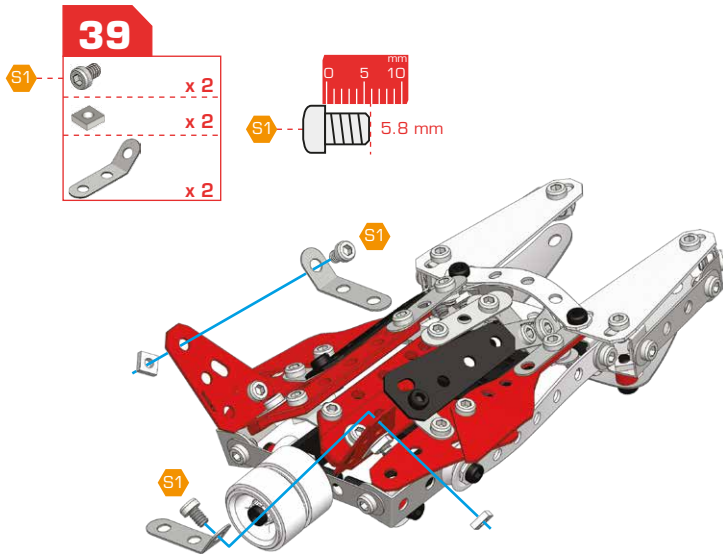
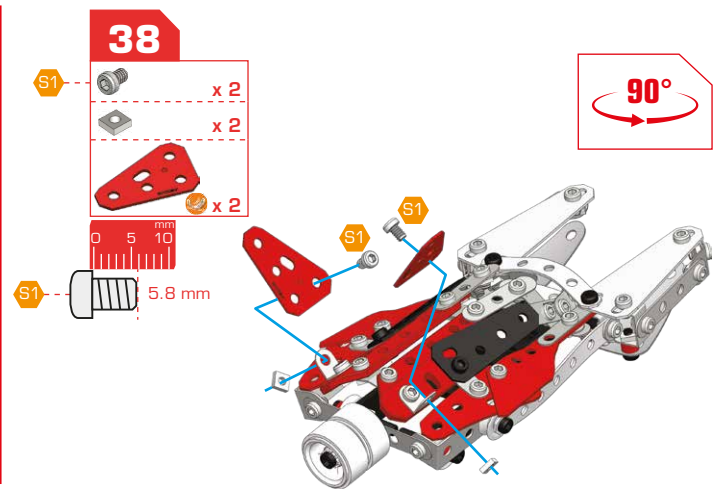
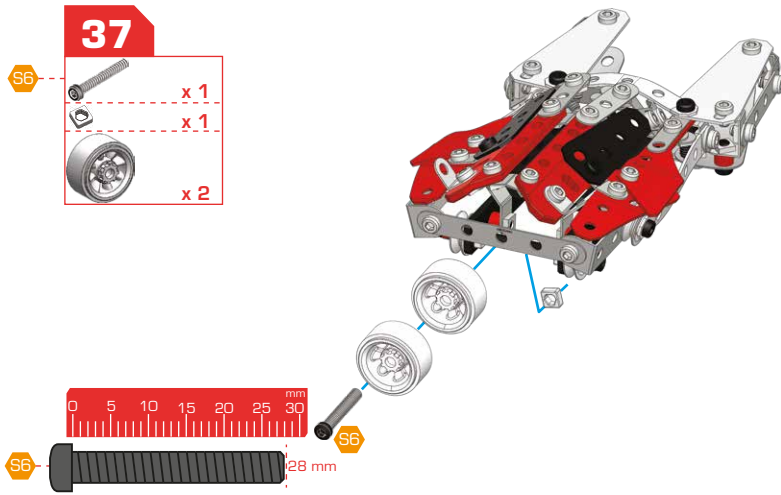


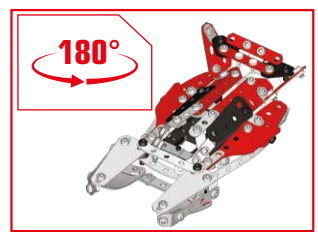
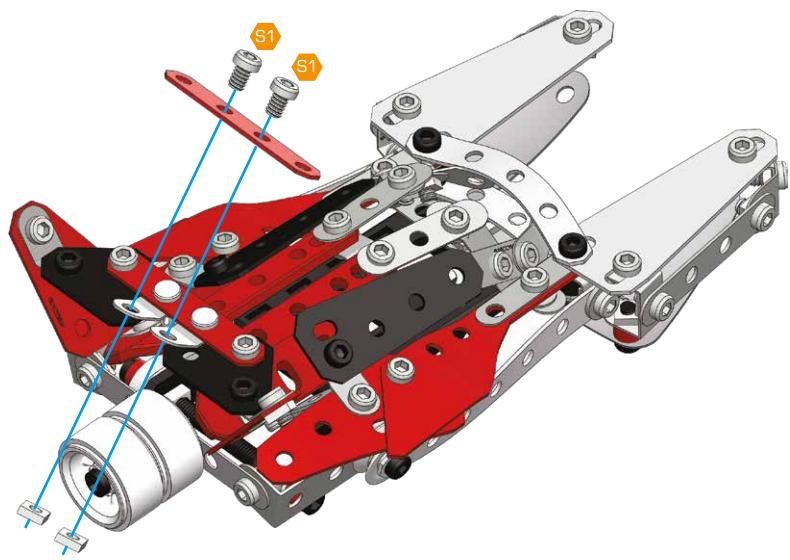
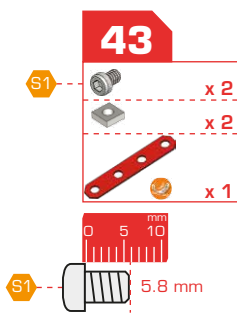
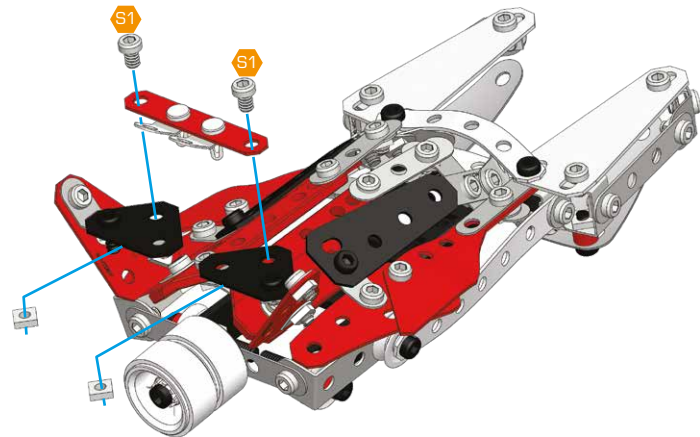
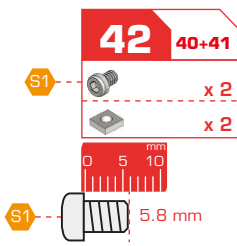
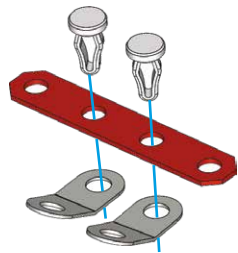
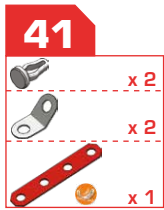
32

- S2 - Pin x 1
- Nut x 1
- Washer x 1
- Grey L-Bracket x 1









44

