



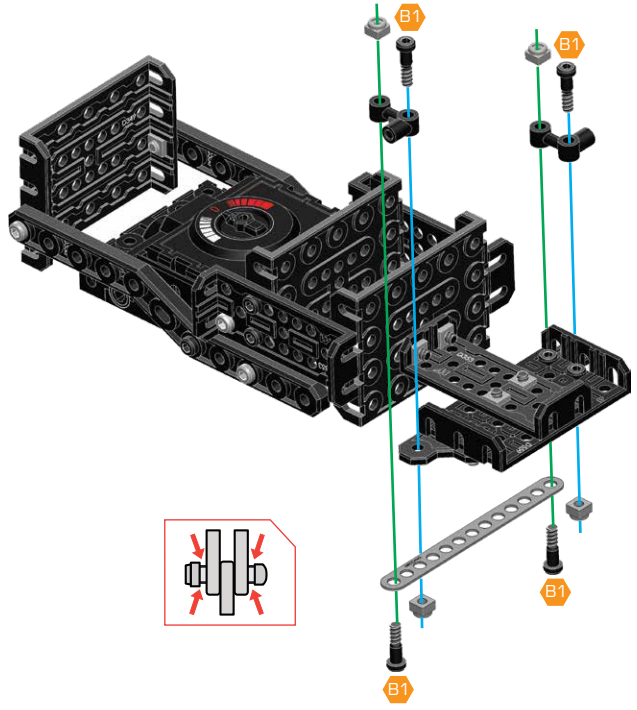






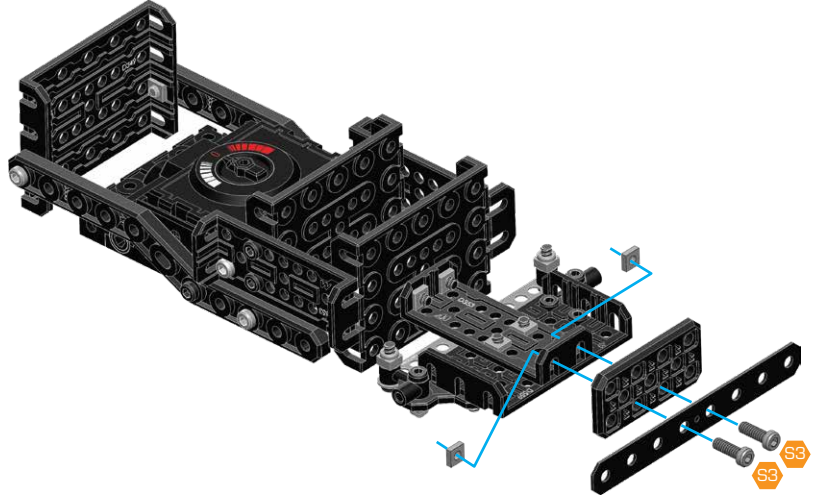
9

-  x 4
-  x 4
-  x 2
-  x 1









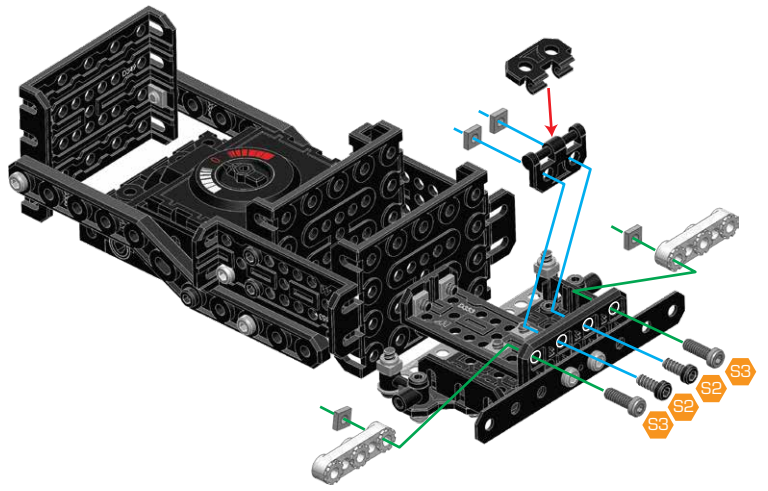
10

-  x 2
-  x 2
-  x 1
-  x 1




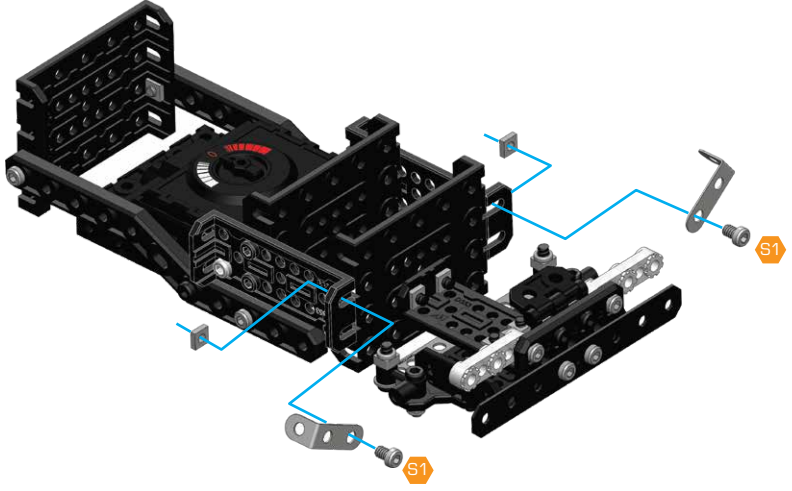
11

-  x 2
-  x 2
-  x 4
-  x 1
-  x 1
-  x 2




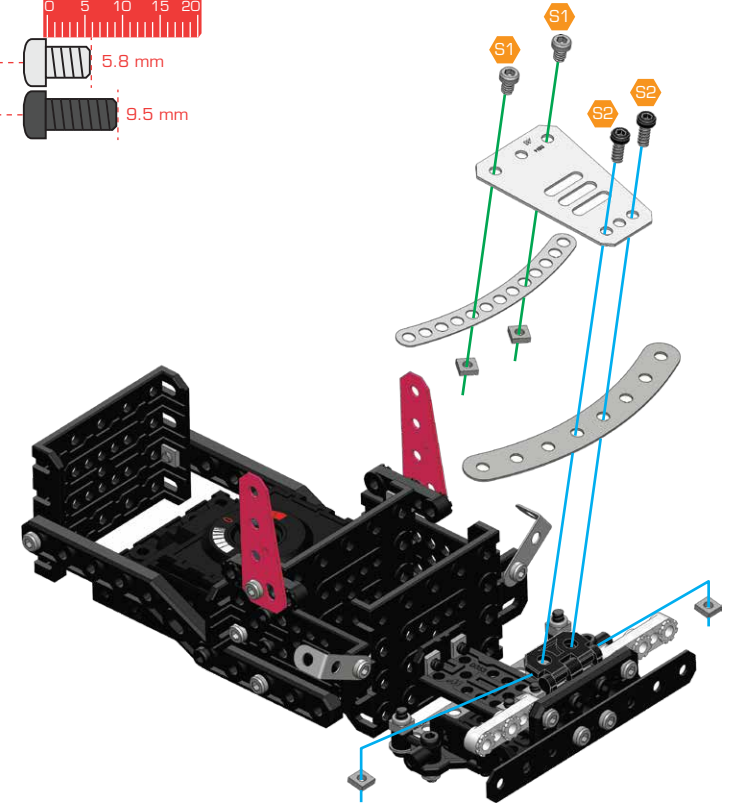
12

- S1 x 2
 - x 2
 - x 2
- 
- S1 5.8 mm



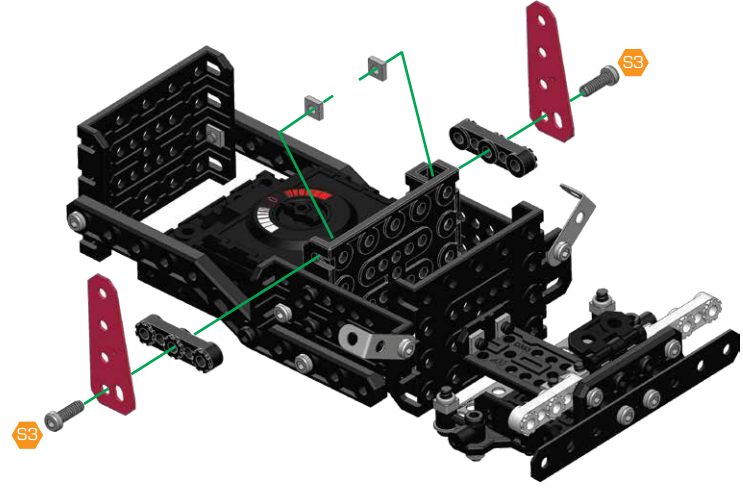
14

- S1 x 2
 - S2 x 2
 - x 4
 - x 1
 - x 1
 - x 1
- 
- S1 5.8 mm
- S2 9.5 mm



13

- S3 x 2
 - x 2
 - x 2
 - x 2
- 
- S3 12 mm

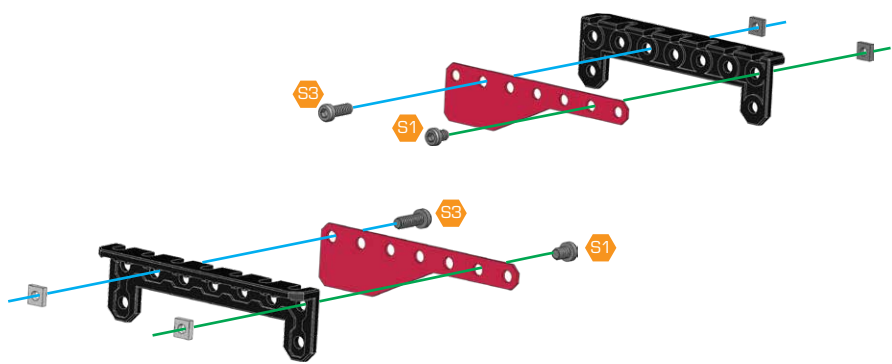


15

- S1 x 2
- S3 x 2
- x 4
- x 2
- x 2



- S1 5.8 mm
- S3 12 mm

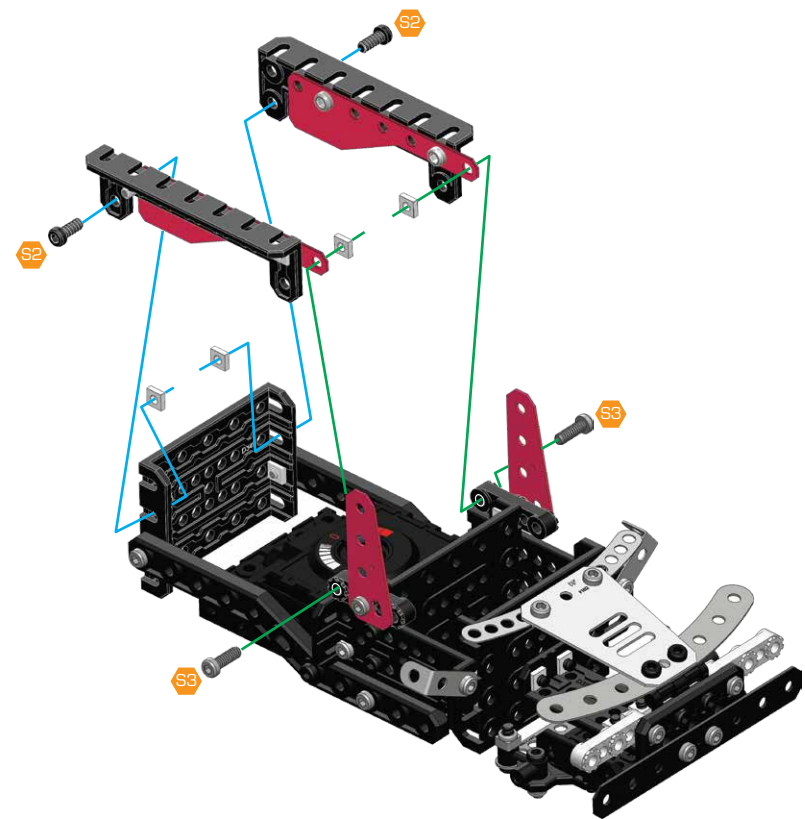


16 14+15

- S2 x 2
- S3 x 2
- x 4



- S2 9.5 mm
- S3 12 mm

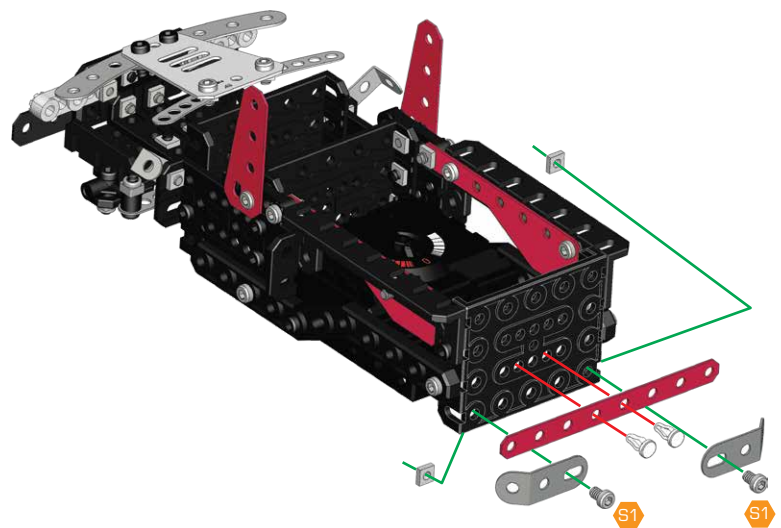


17

- S1 x 2
- x 2
- x 2
- x 2
- x 1



- S1 5.8 mm



18

	x 4
	x 2
	x 4
	x 2
	x 2
	x 1

5.8 mm

19

	x 2
	x 1
	x 3
	x 1
	x 3
	x 1
	x 1
	x 1
	x 1
	x 1
	x 1

5.8 mm

9.5 mm

20

	x 3
	x 3
	x 1
	x 1

5.8 mm

21

	x 1
	x 2
	x 3
	x 3
	x 1
	x 1
	x 1
	x 1

5.8 mm

9.5 mm

22 18+21

	x 2
	x 1
	x 2

0 5 10 15 20 mm

5.8 mm

23

	x 2
	x 1
	x 3
	x 1
	x 3
	x 1
	x 3
	x 1
	x 1
	x 1
	x 1

0 5 10 15 20 mm

5.8 mm

9.5 mm

24

	x 3
	x 3
	x 1
	x 1

0 5 10 15 20 mm

5.8 mm

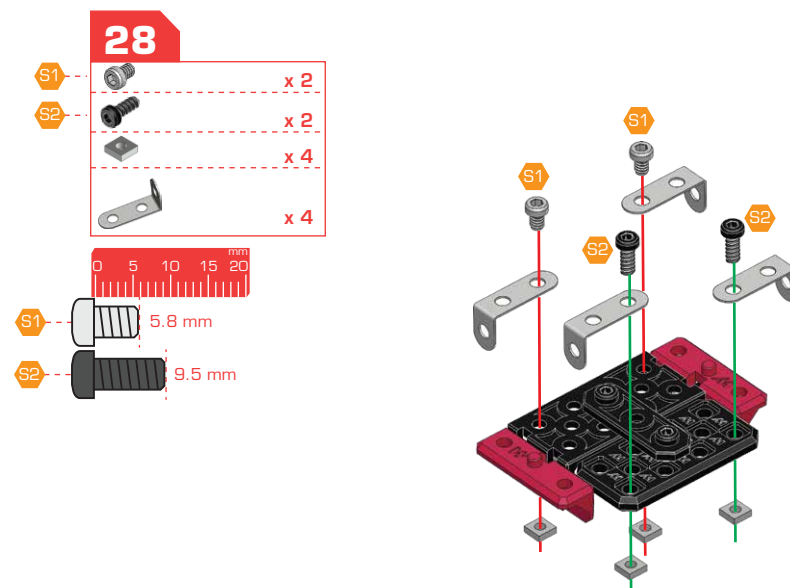
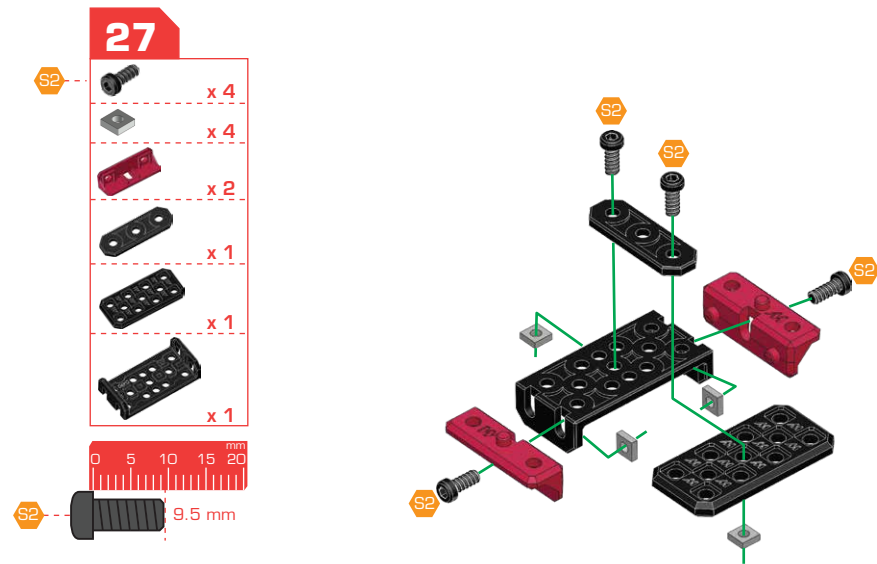
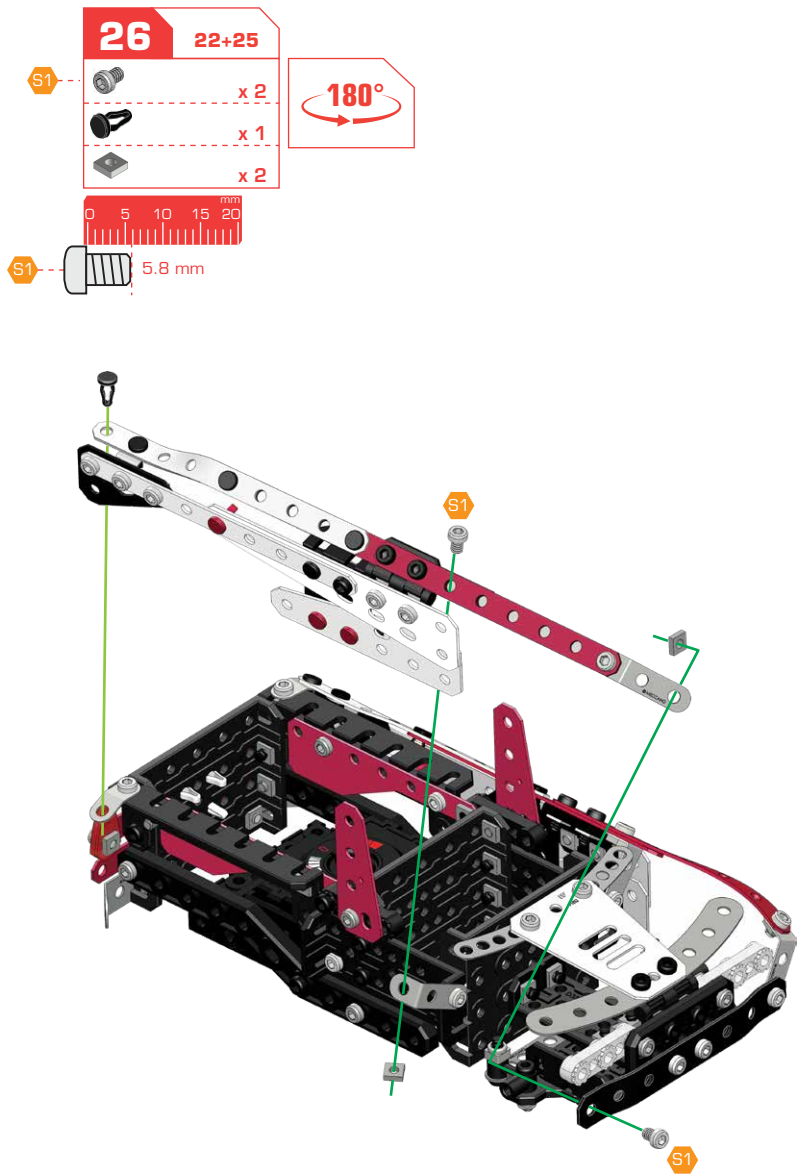
25

	x 1
	x 2
	x 3
	x 3
	x 1
	x 1
	x 1
	x 1

0 5 10 15 20 mm

5.8 mm

9.5 mm

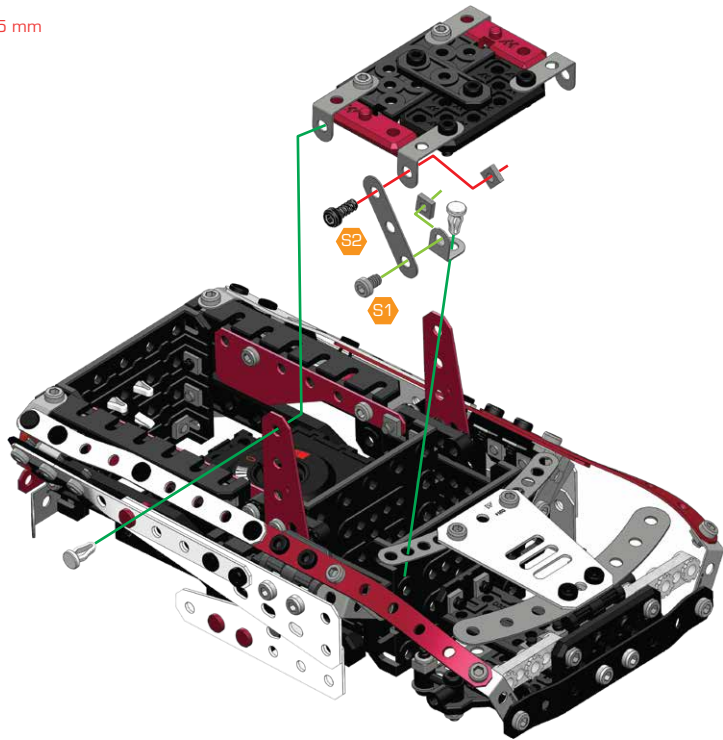


29 26+28

- S1 x 1
- S2 x 1
- x 2
- x 2
- x 1
- x 1

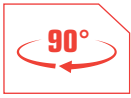


- S1 5.8 mm
- S2 9.5 mm

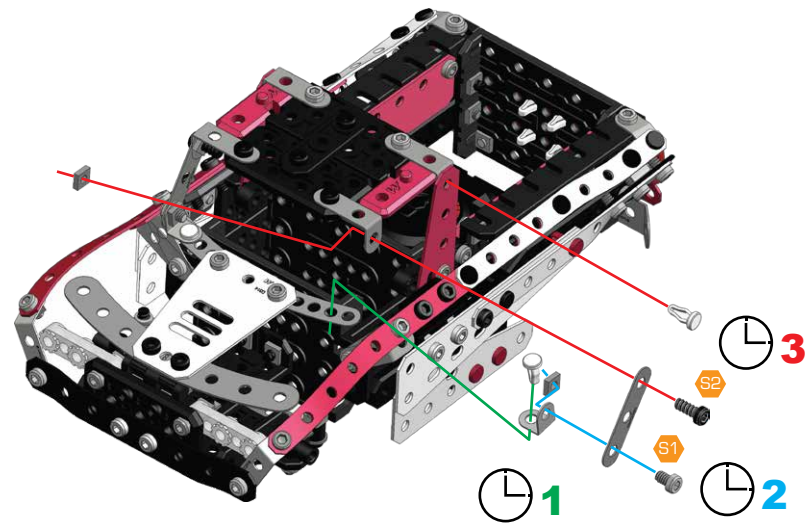


30

- S1 x 1
- S2 x 1
- x 2
- x 2
- x 2
- x 1
- x 1



- S1 5.8 mm
- S2 9.5 mm



31



32 30+31

