


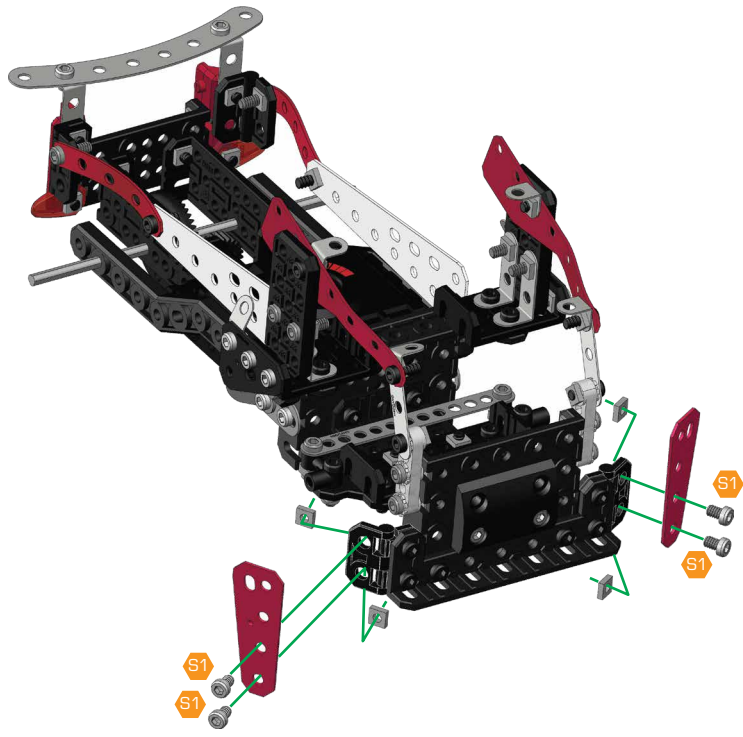
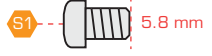





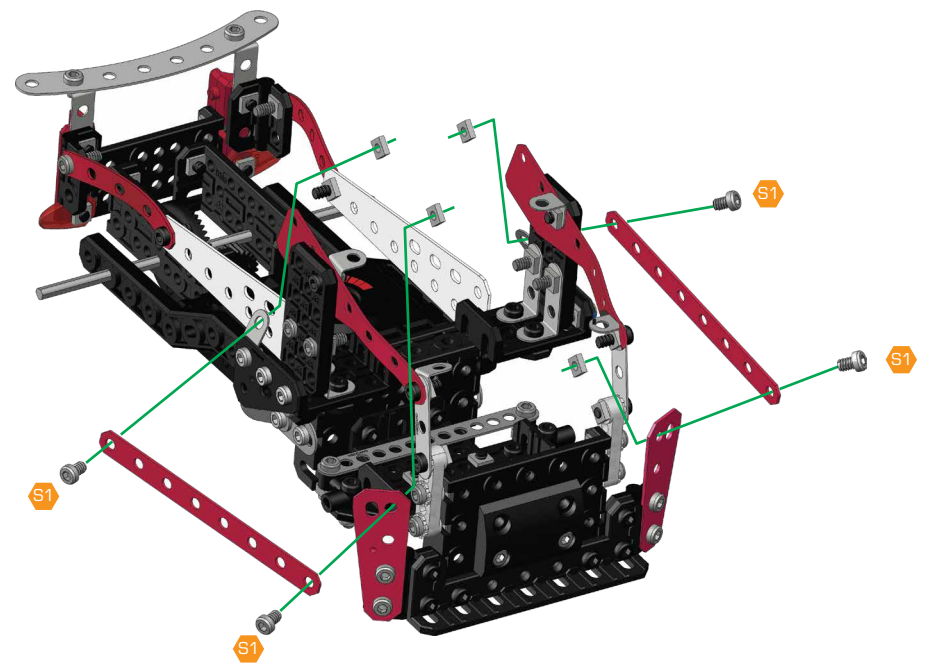
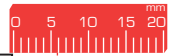
32

-  x 4
-  x 4
-  x 2







33

-  x 4
-  x 4
-  x 2

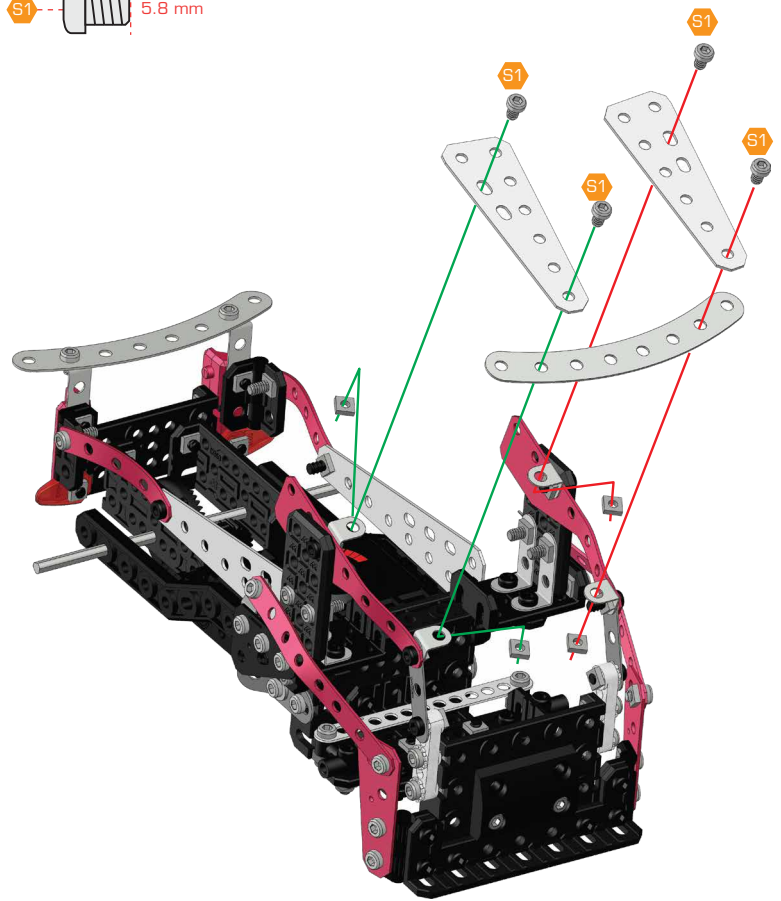


34




-  x 4
-  x 4
-  x 2
-  x 1



-  5.8 mm

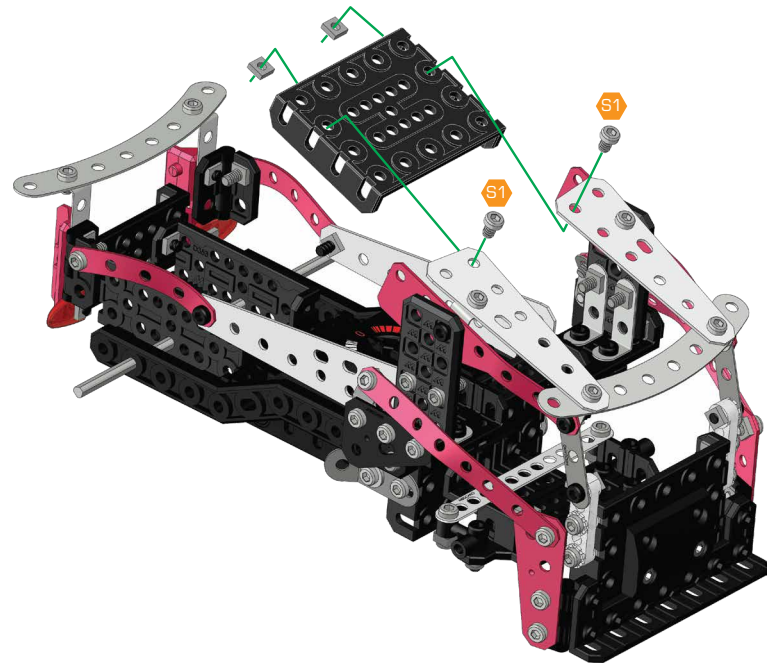


35

-  x 2
-  x 2
-  x 1

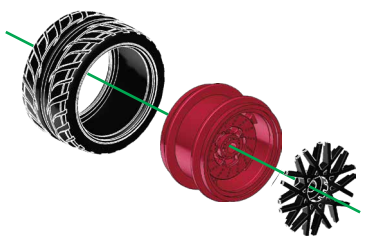


-  5.8 mm



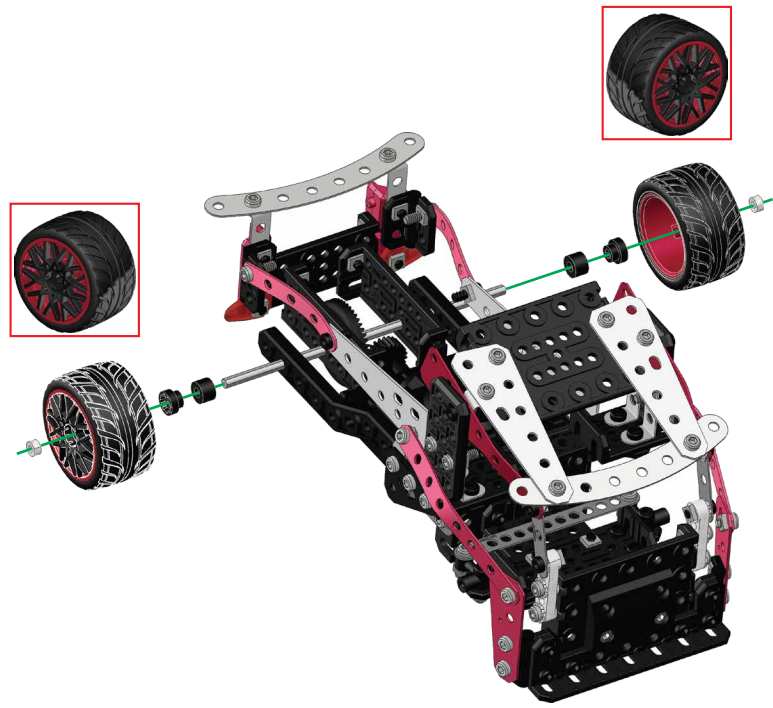
36

-  x 4
-  x 4
-  x 4



37 35+36

	x 2
	x 2
	x 2



38 36+37

	x 2
	x 2

0 5 10 15 20 25 30 mm

23 mm

