






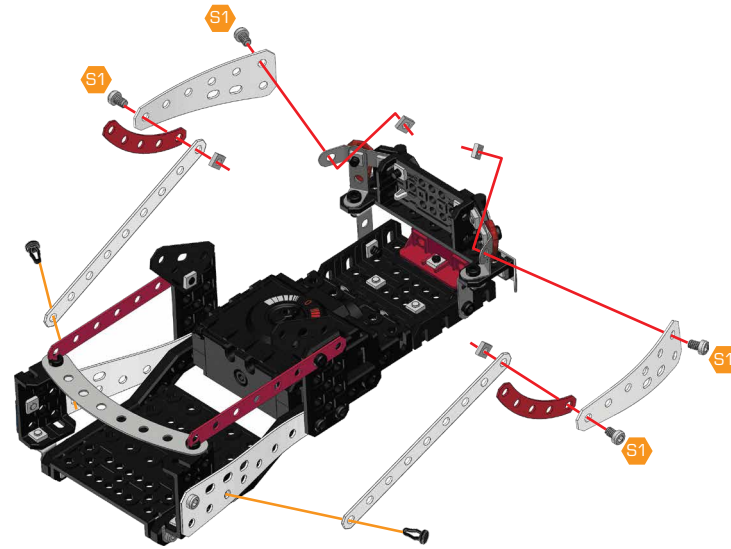



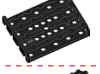

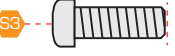
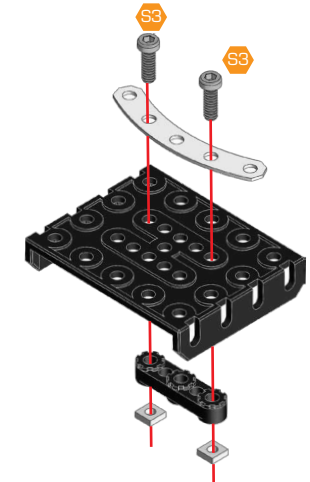



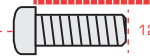


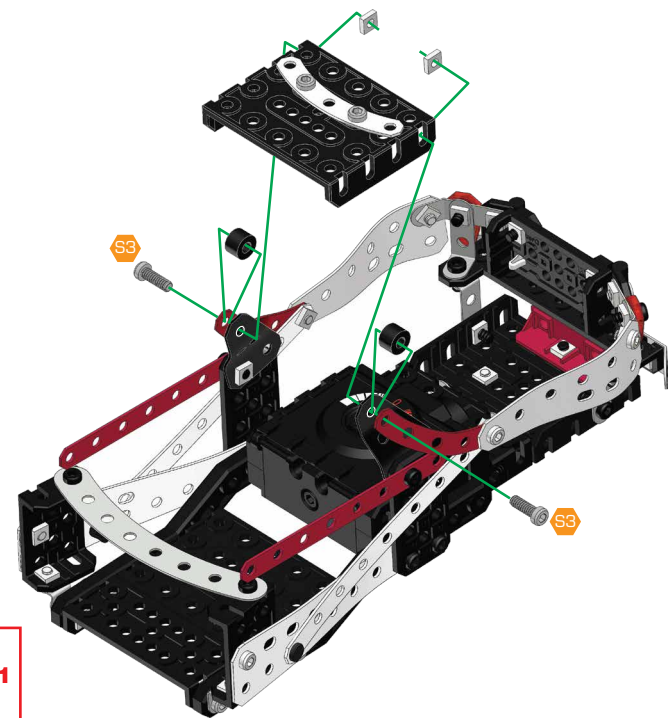
- 17**
-  x 4
 -  x 2
 -  x 4
 -  x 2
 -  x 2
 -  x 2
 -  5.8 mm







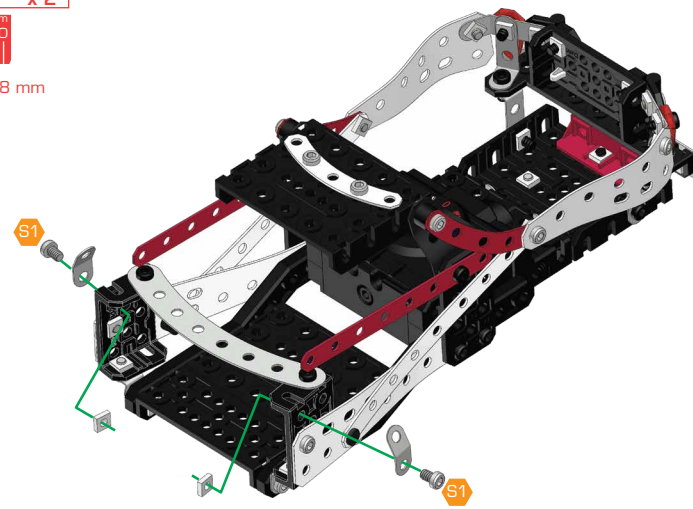
- 18**
-  x 2
 -  x 2
 -  x 1
 -  x 1
 -  x 1
 -  12 mm

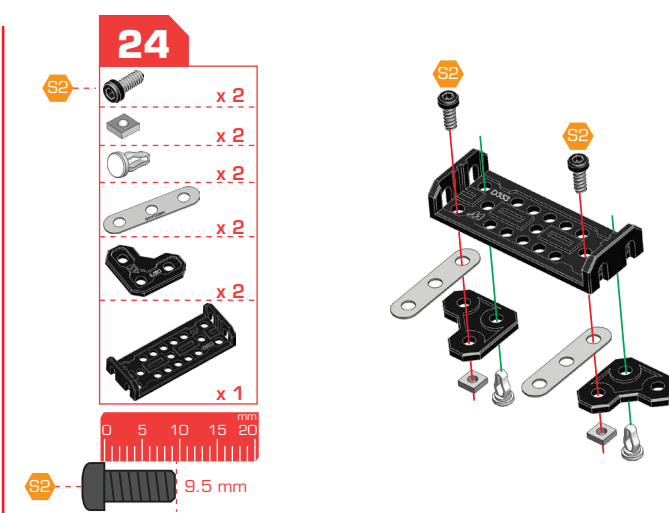
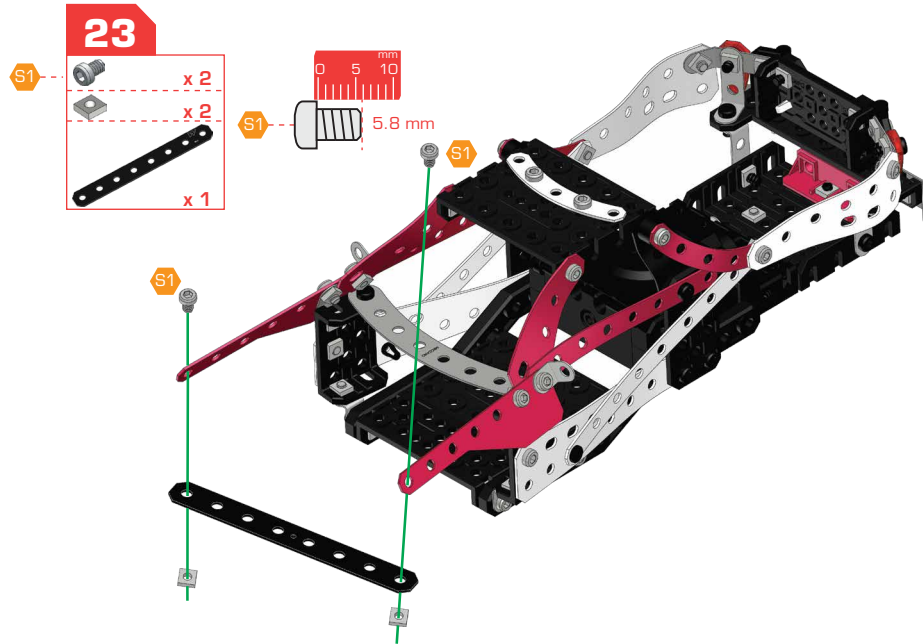
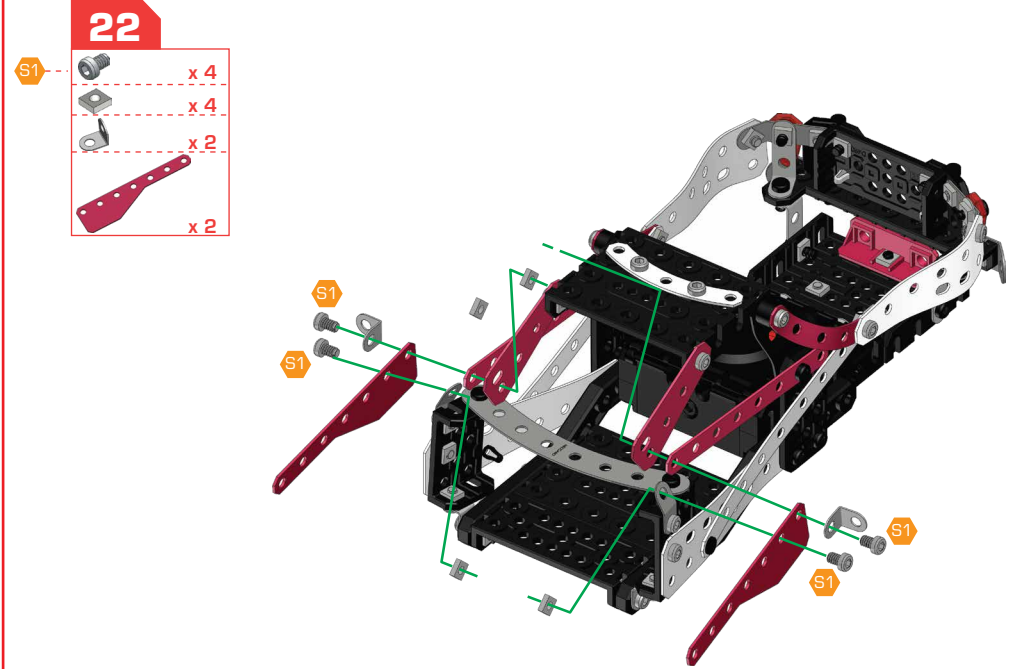
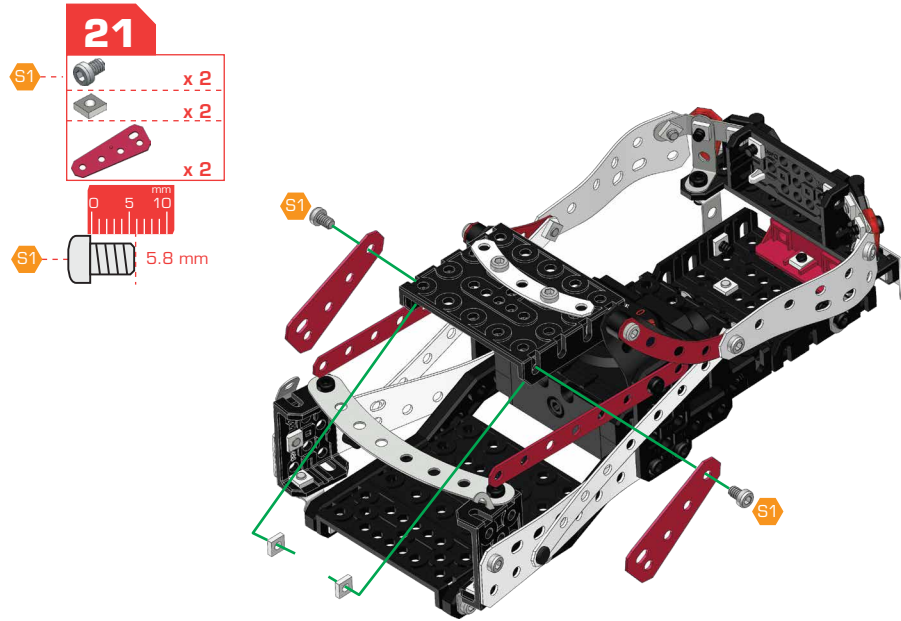


- 19** 17+18
-  x 2
 -  x 2
 -  x 2
 -  12 mm



- 20**
-  x 2
 -  x 2
 -  x 2
 -  5.8 mm





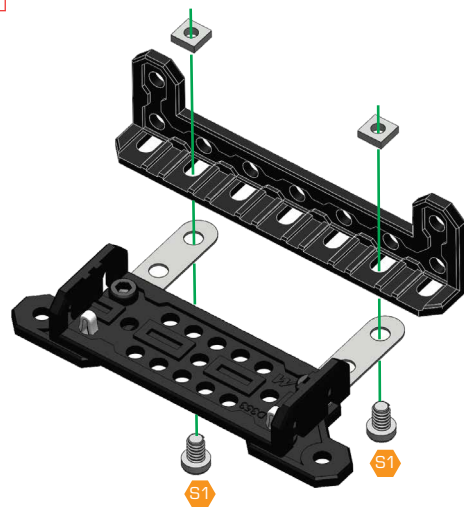
25

- S1 x 2
- x 2
- x 1

180°

0 5 10 mm

S1 5.8 mm



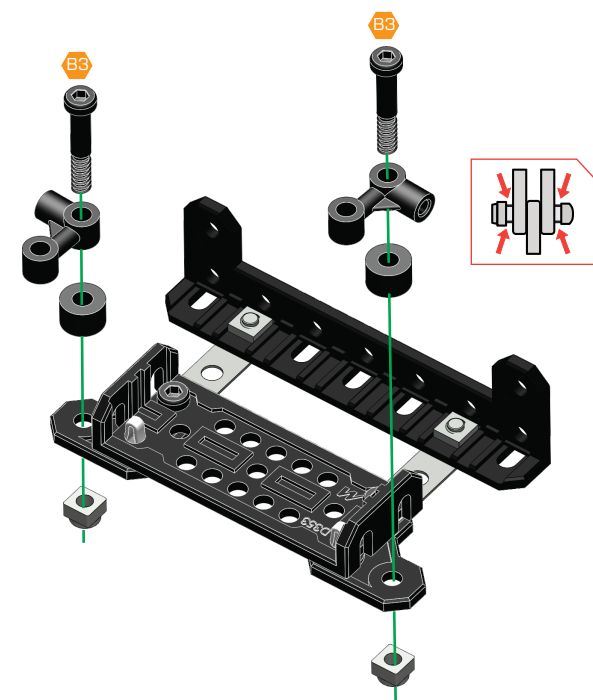
26

- B3 x 2
- x 2
- x 2
- x 2

0 5 10 15 20 25 30 mm

B3 23 mm

A238 1:1

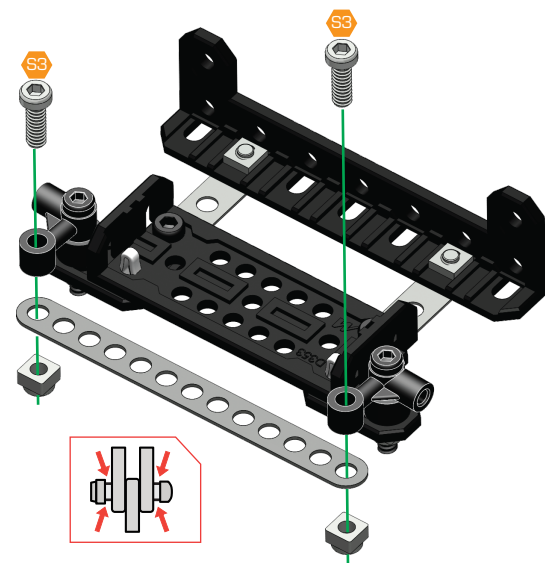


27

- S3 x 2
- x 2
- x 1

0 5 10 mm

S3 12 mm

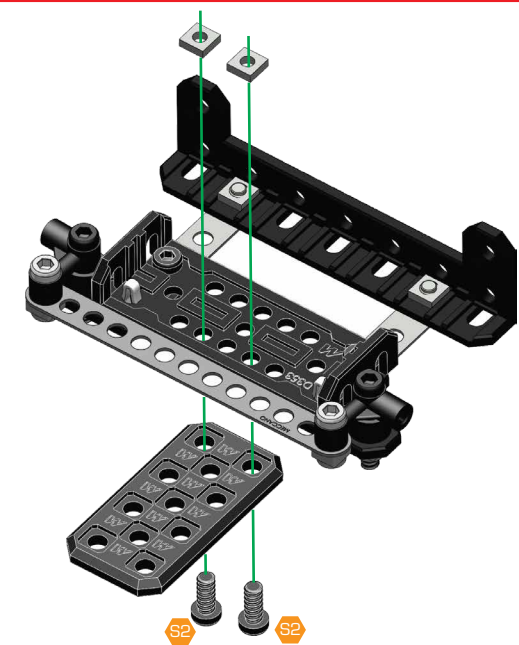


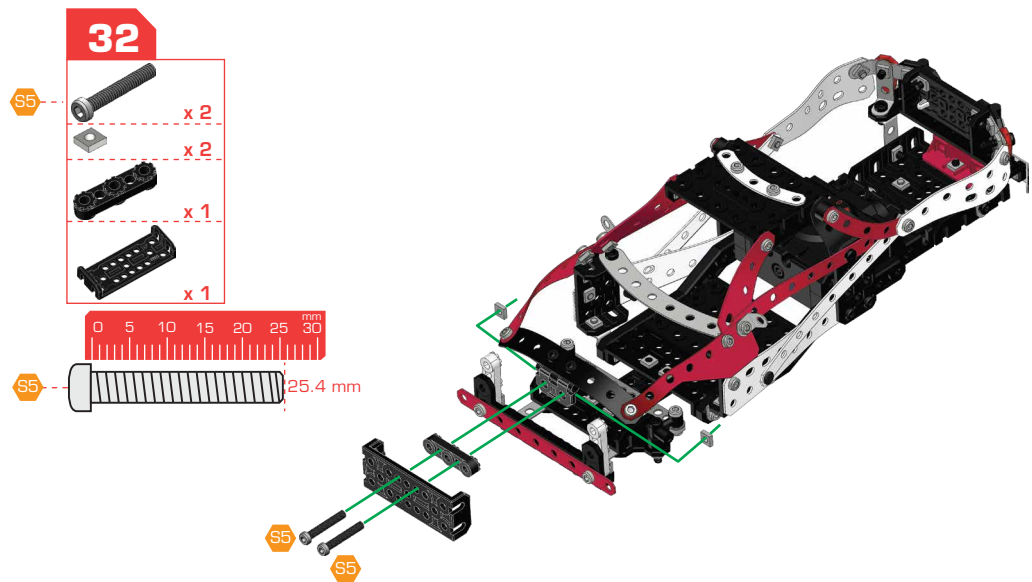
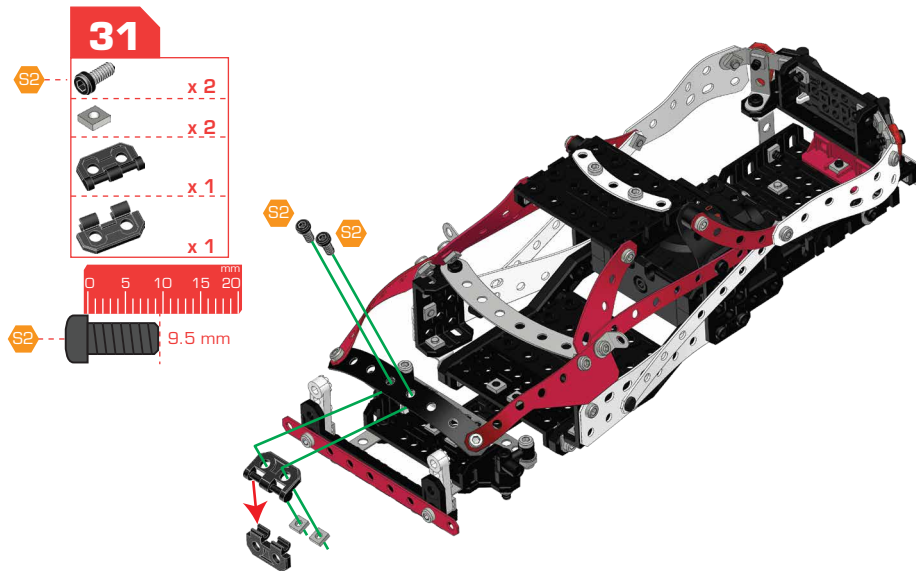
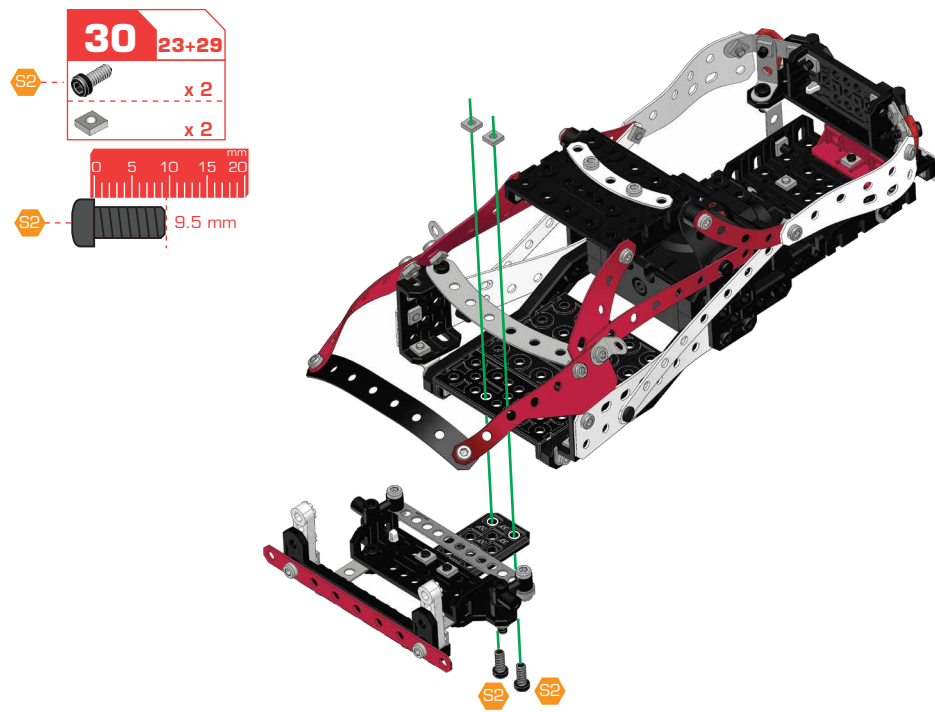
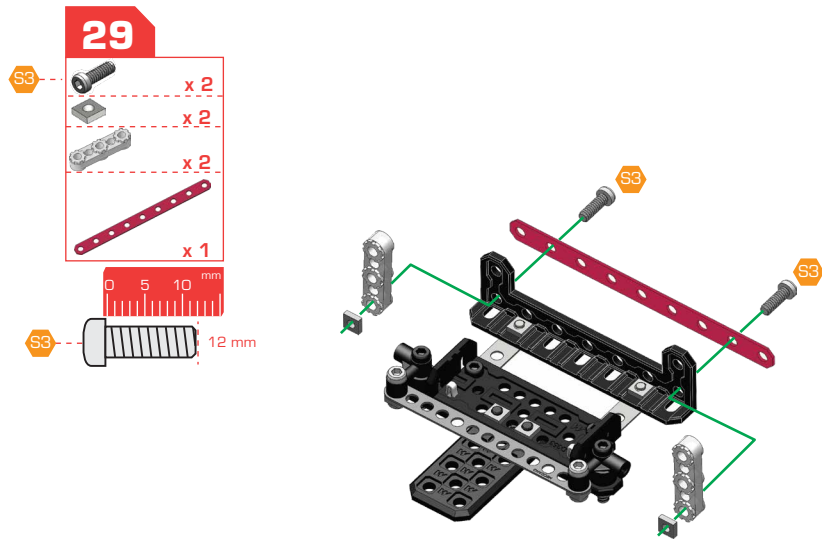
28

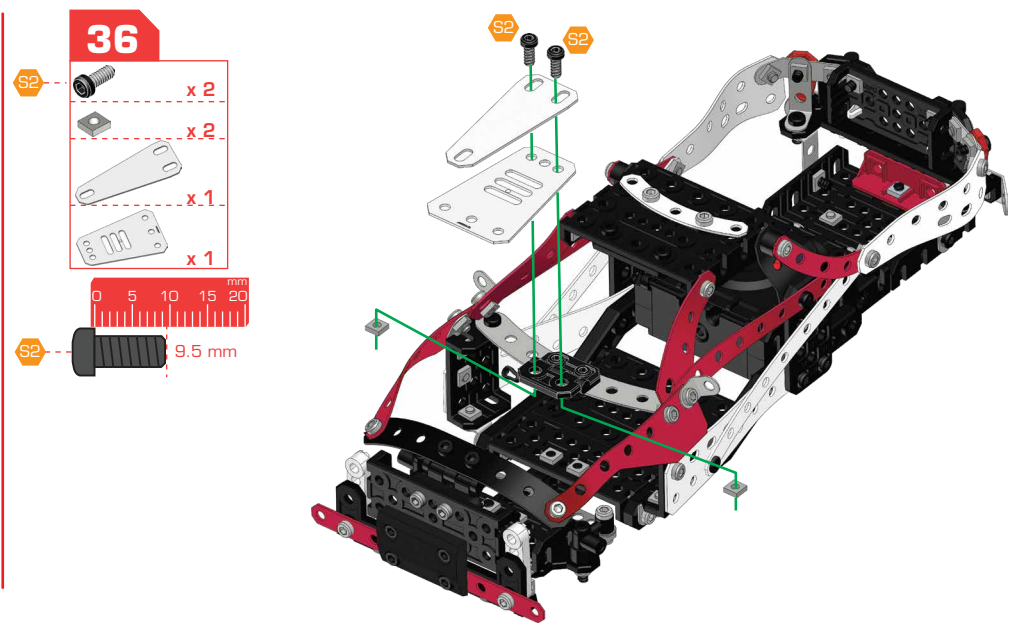
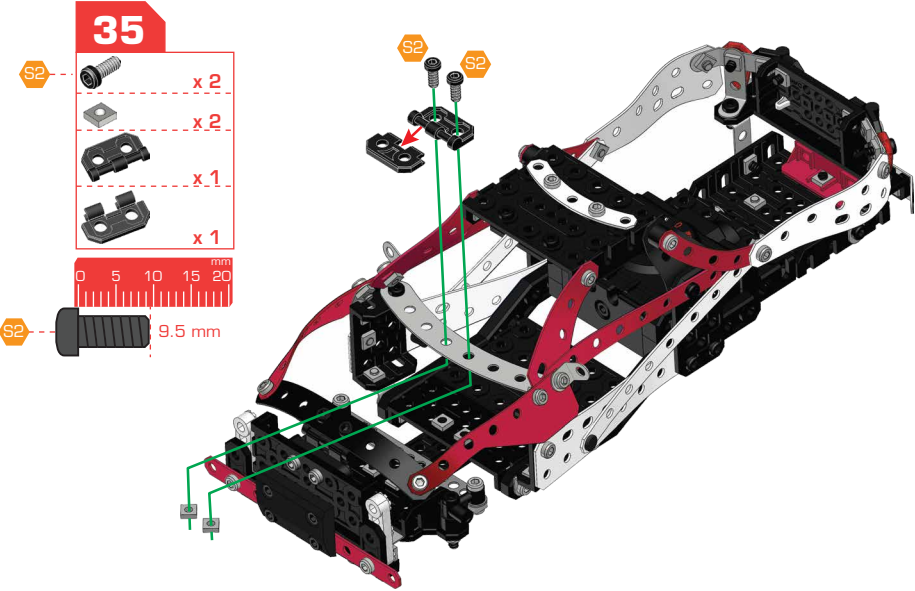
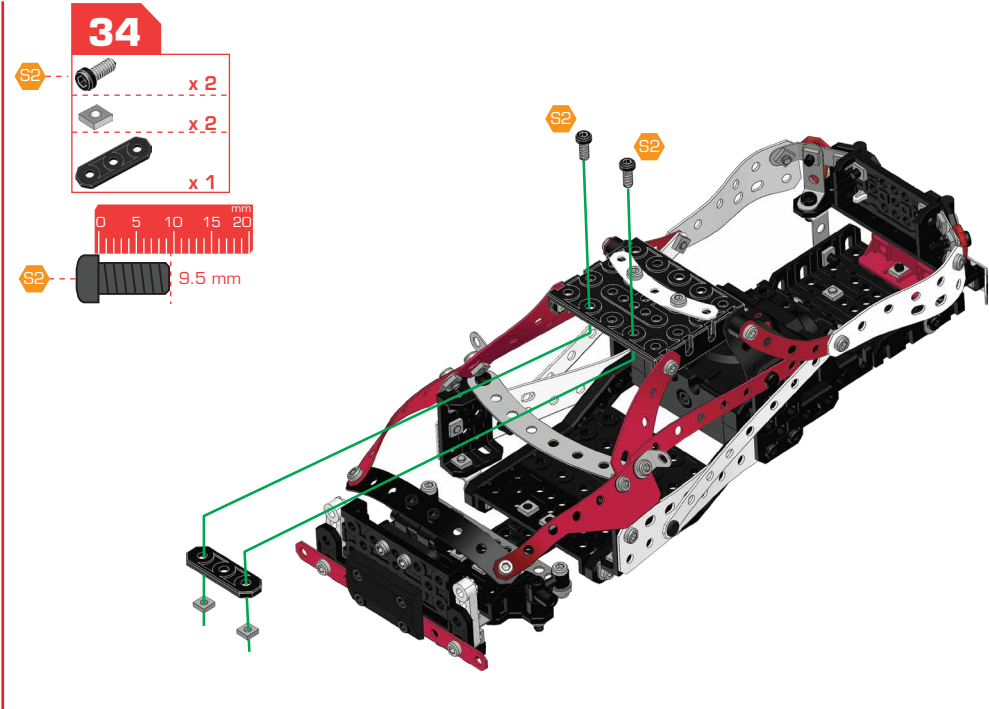
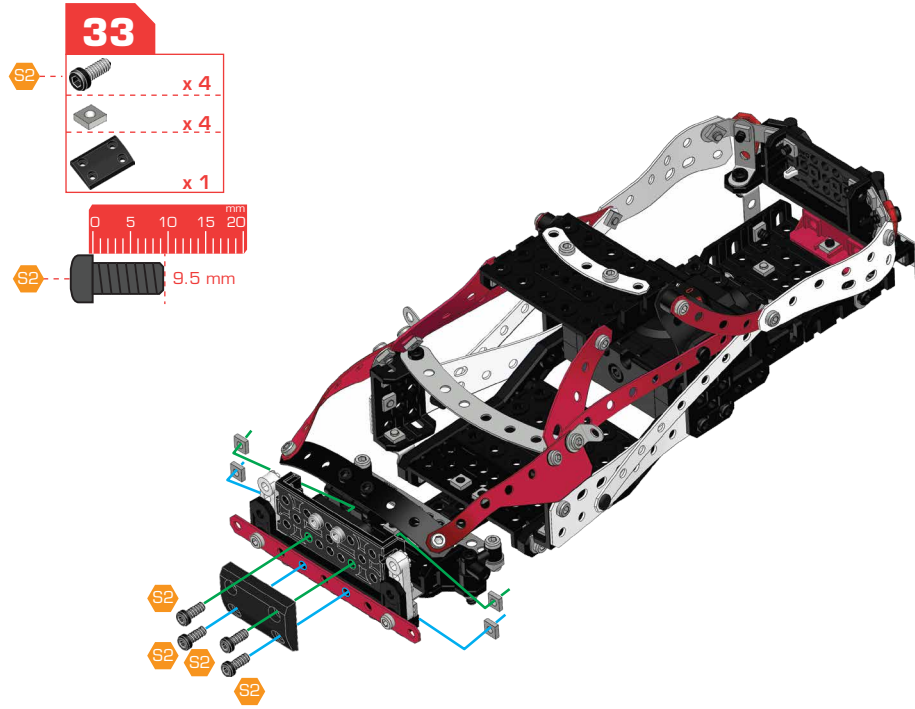
- S2 x 2
- x 2
- x 1

0 5 10 15 20 mm

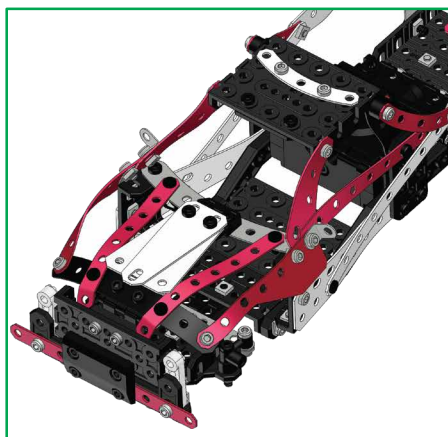
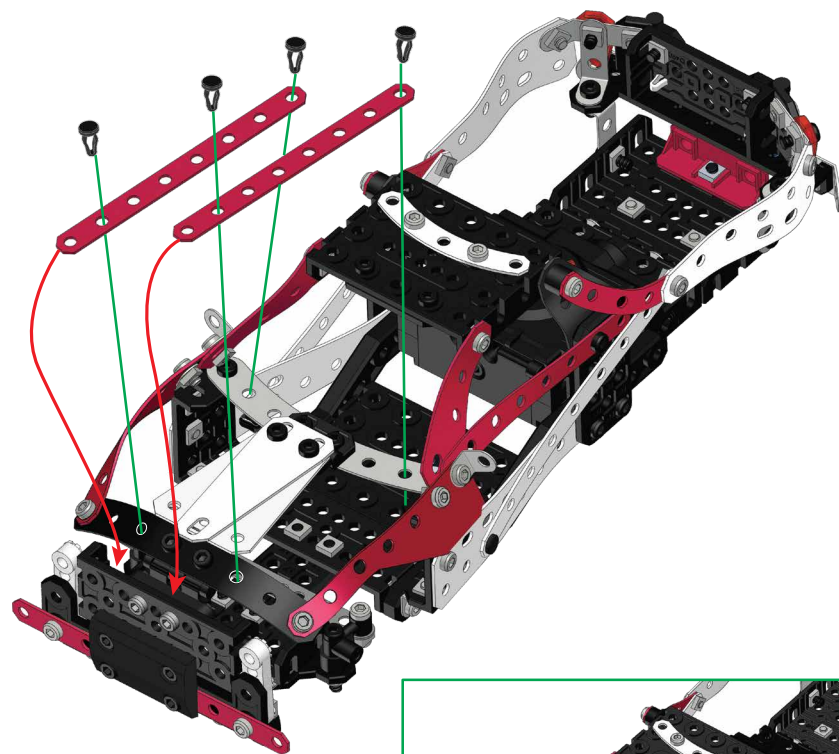
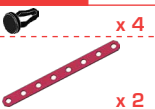
S2 9.5 mm



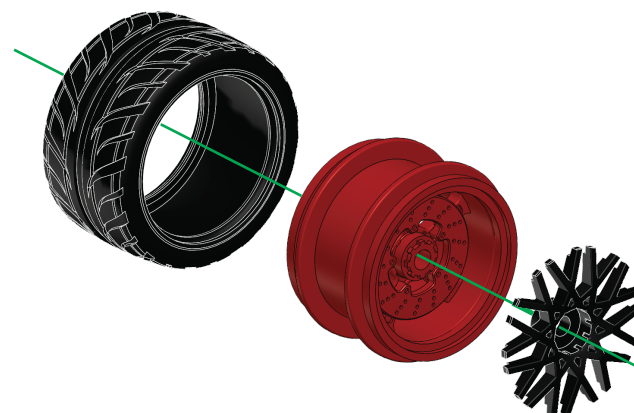








37

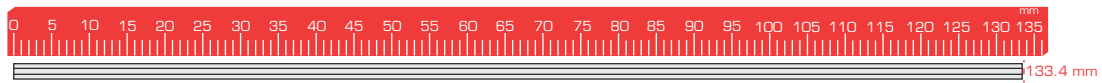
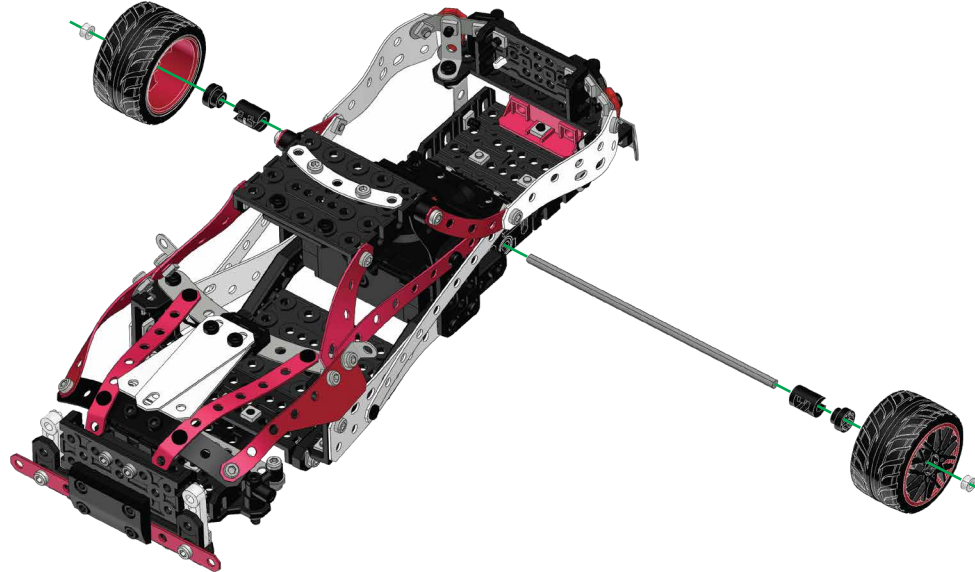


38





39 37+38

-  x 2
-  x 2
-  x 2
-  x 1



40 38+39

-  x 2
-  x 2

