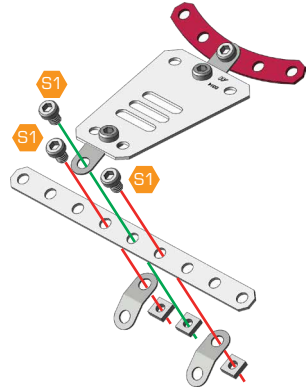
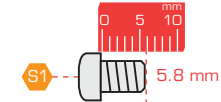
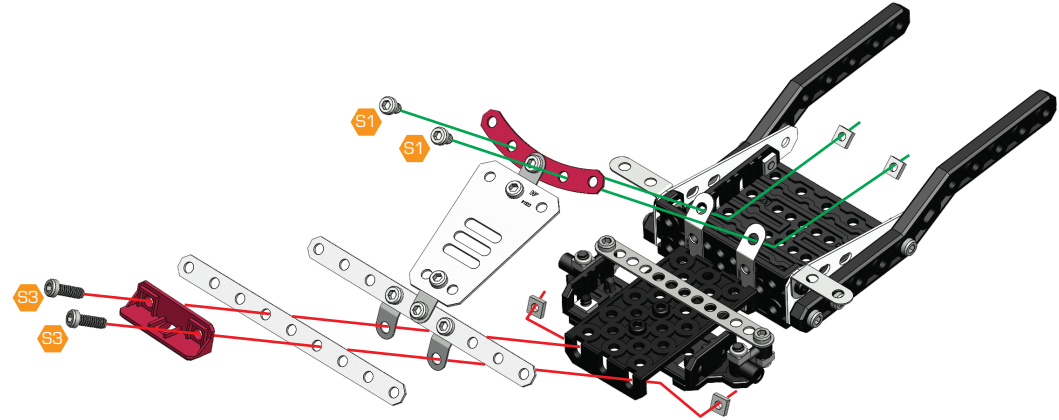
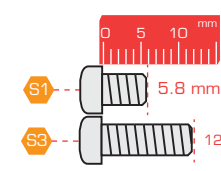


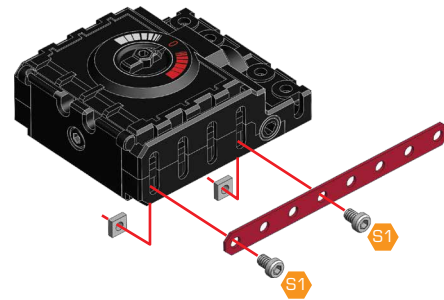
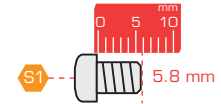
- 9**
- S1 x 3
 - x 3
 - x 2
 - x 1



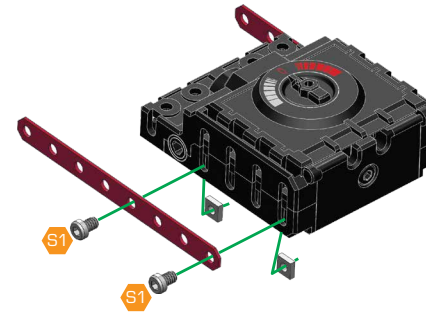
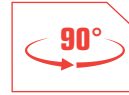
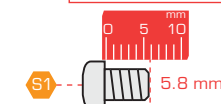
- 10** 7+9
- S1 x 2
 - S3 x 2
 - x 4
 - x 1
 - x 1

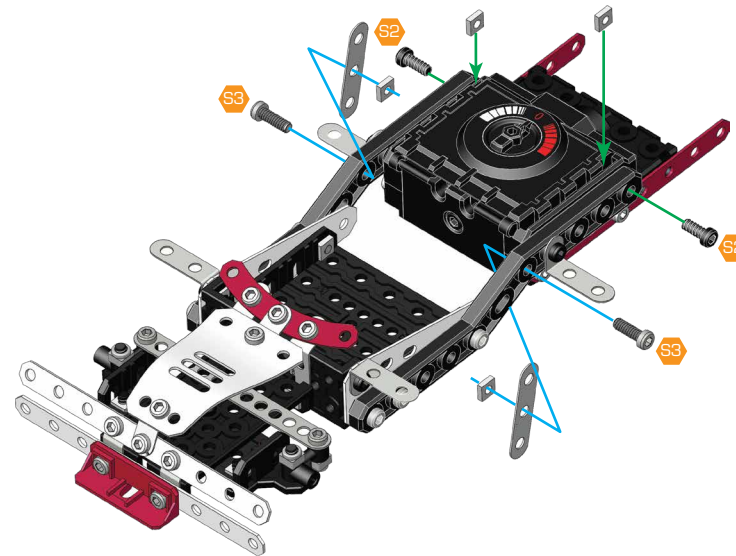
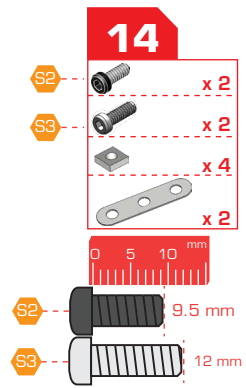
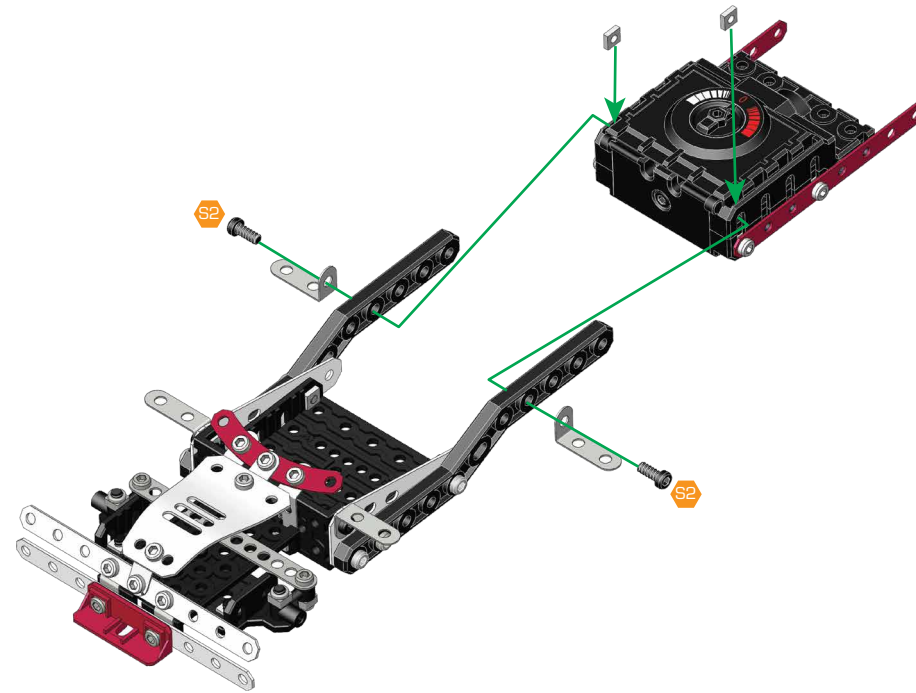
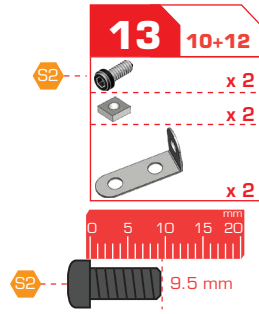


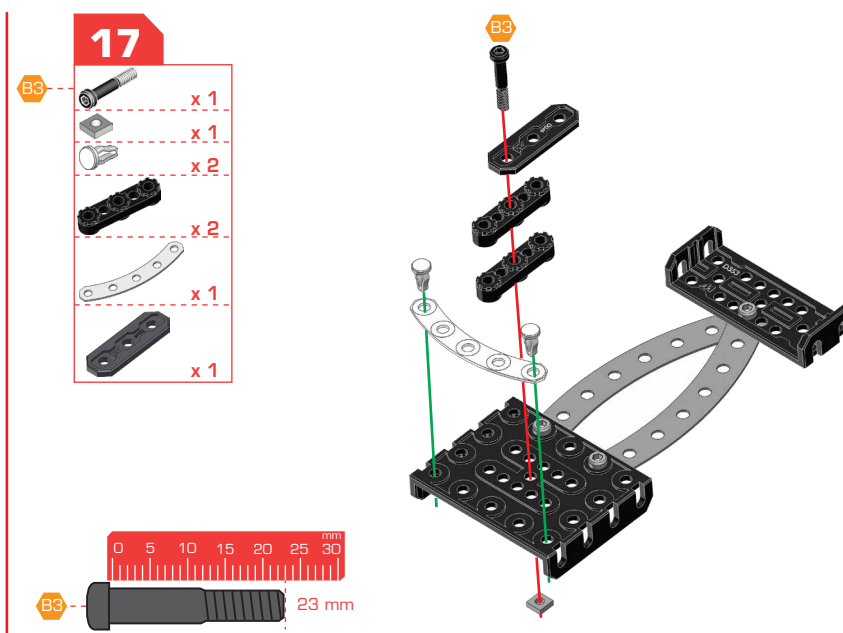
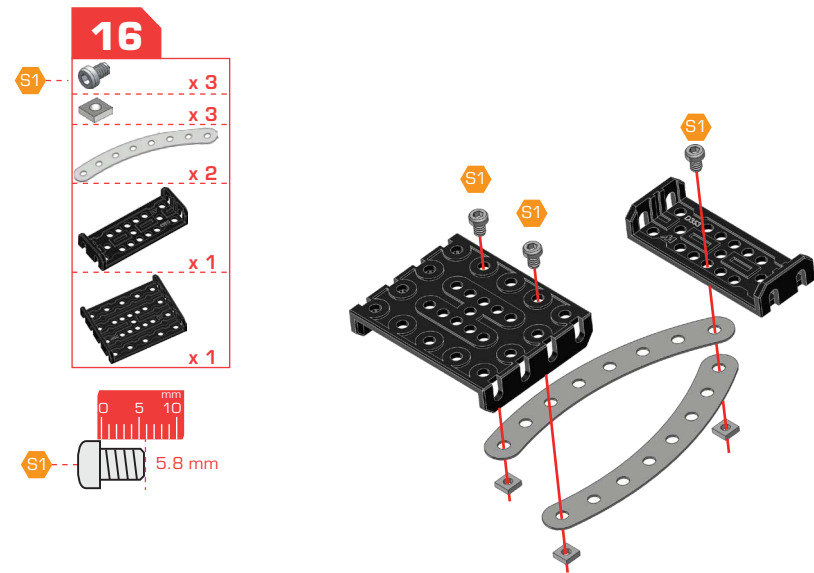
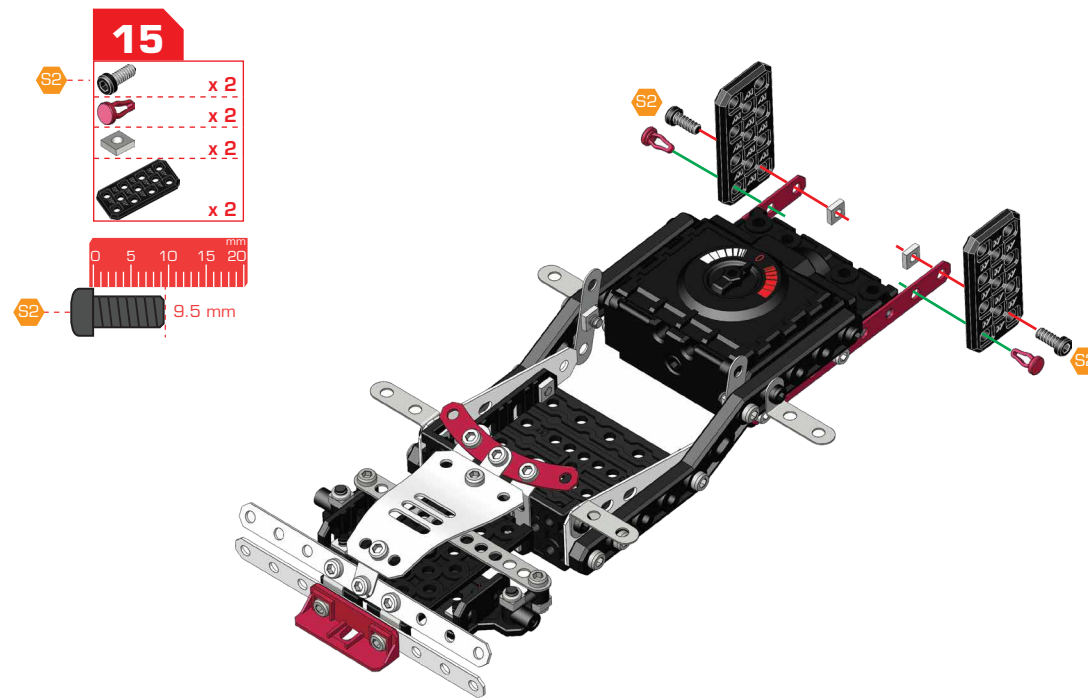
- 11**
- S1 x 2
 - x 2
 - x 1

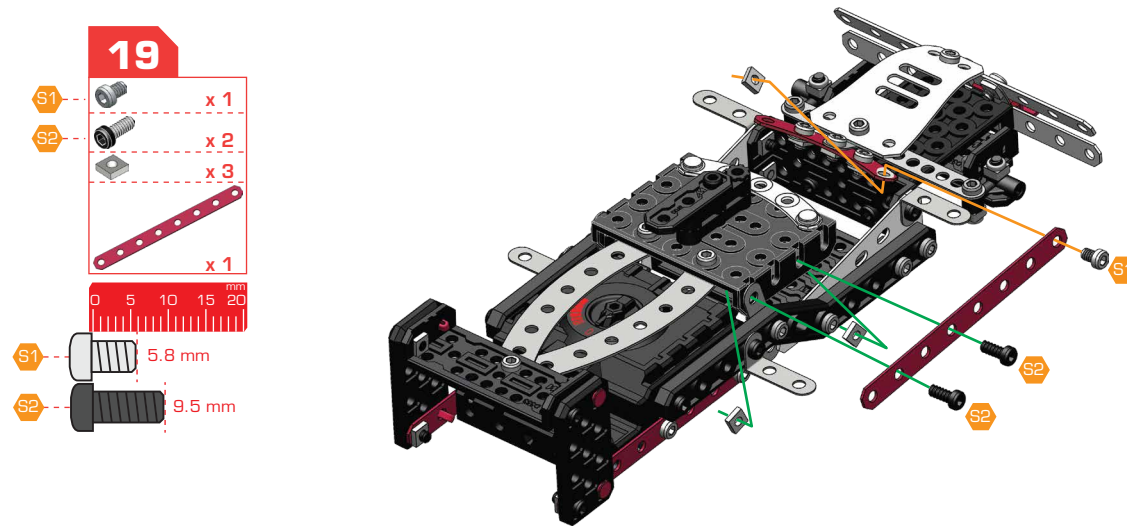
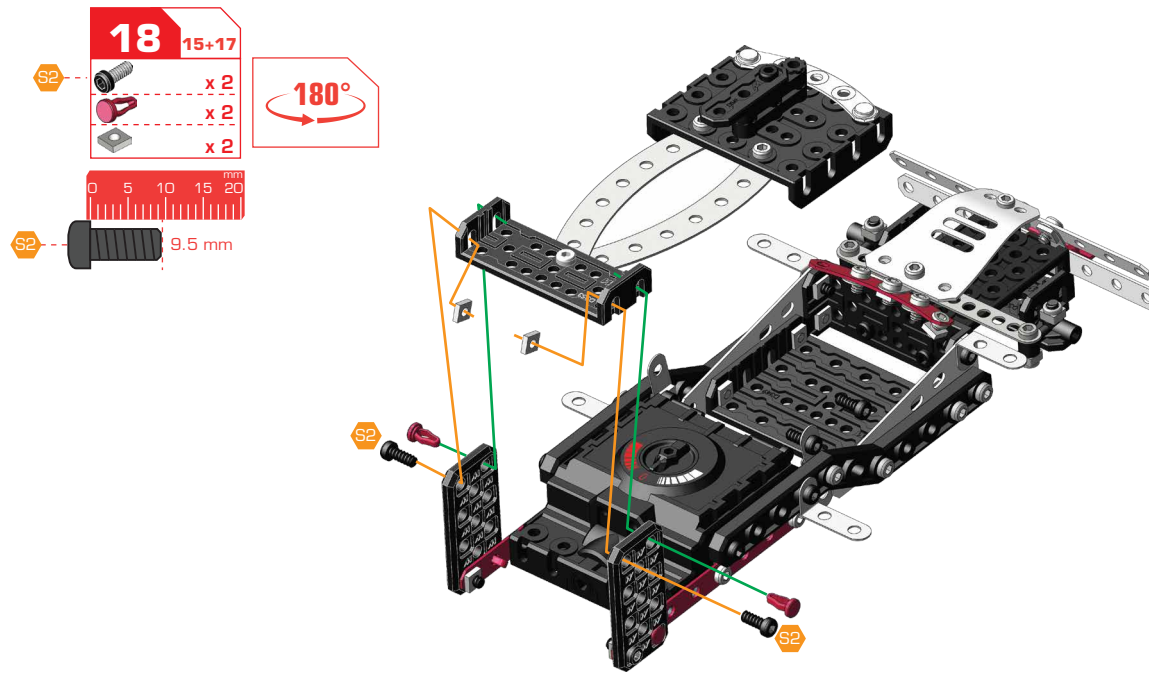


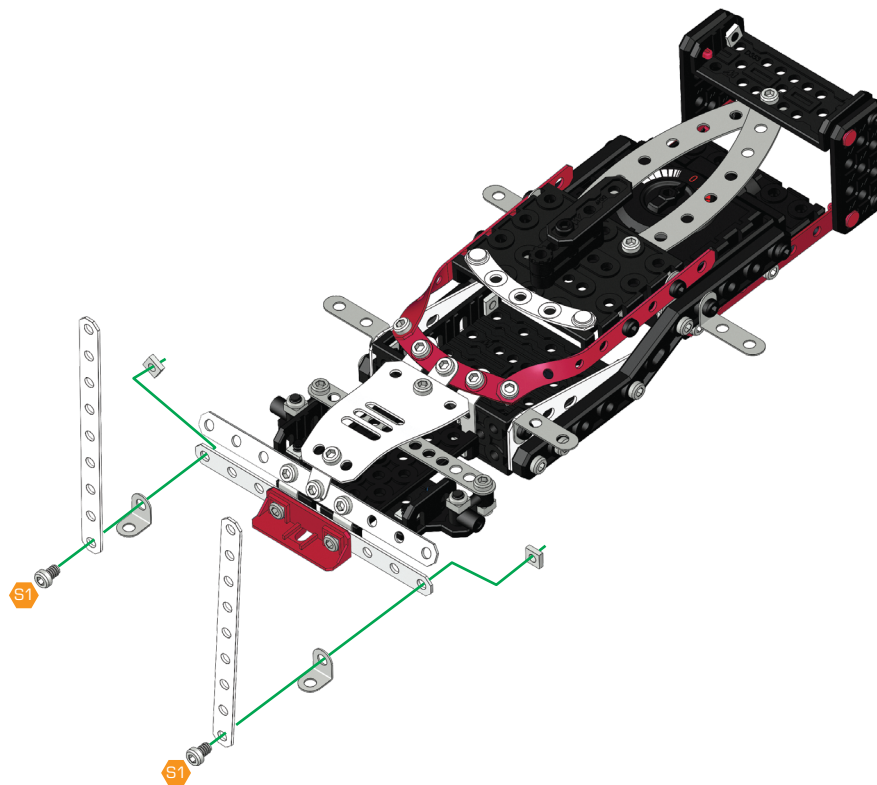
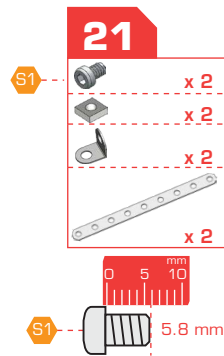
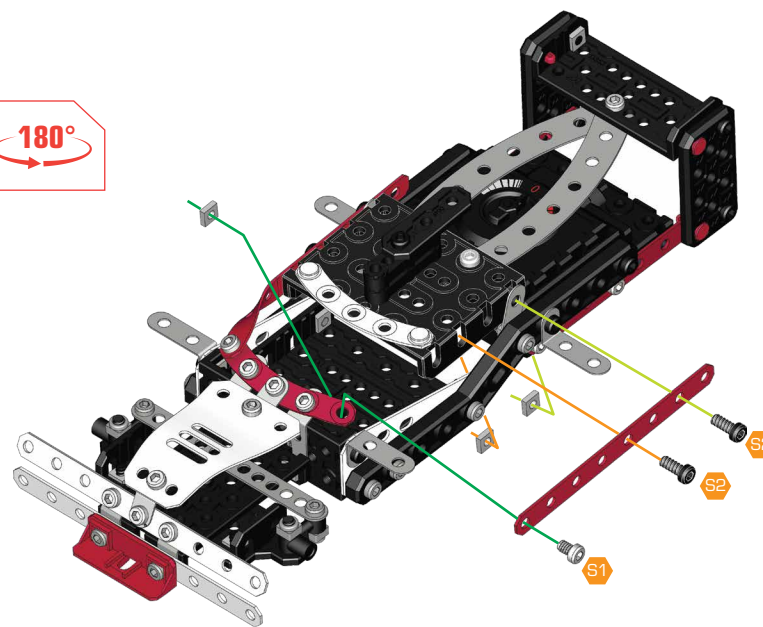
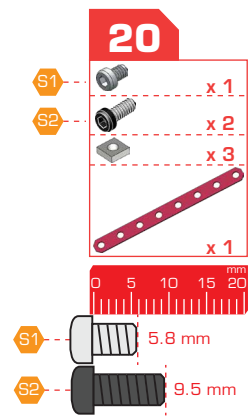
- 12**
- S1 x 2
 - x 2
 - x 1







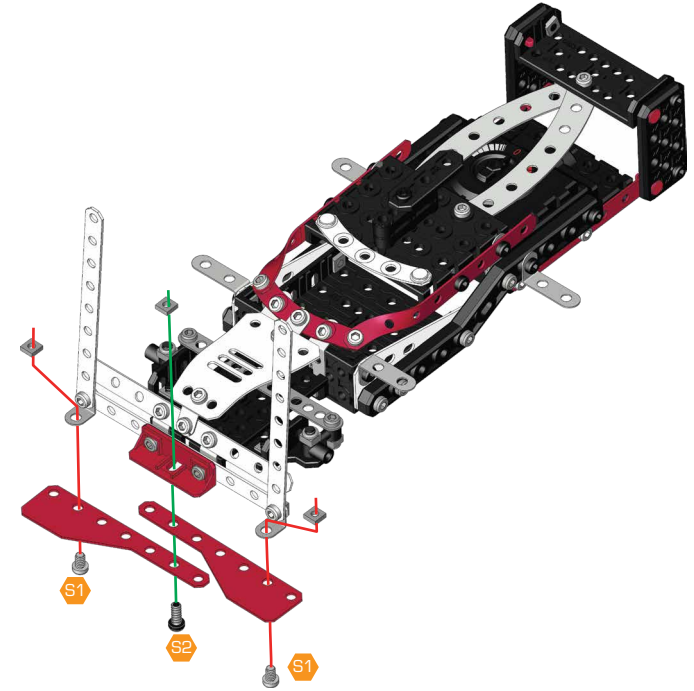




22

- S1 - x 2
- S2 - x 1
- x 3
- x 2

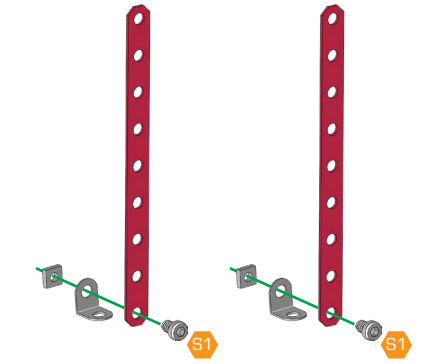
- S1 - 5.8 mm
- S2 - 9.5 mm



23

- S1 - x 2
- x 2
- x 2
- x 2

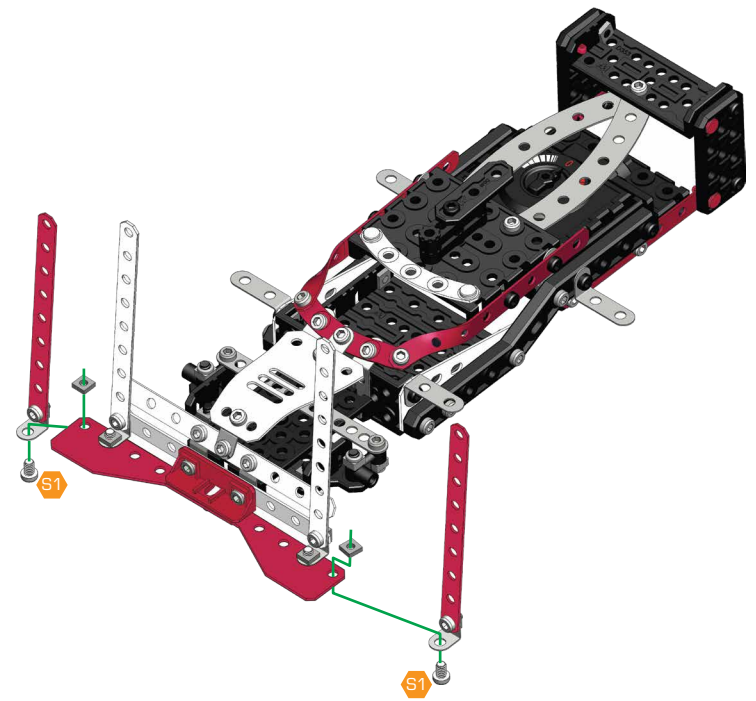
- S1 - 5.8 mm



24 22+23

- S1 - x 2
- x 2

- S1 - 5.8 mm



25

- x 2
- x 2
- x 1
- x 1

90°

0 5 10 15 20 mm

9.5 mm

26

- x 2
- x 2
- x 1
- x 1
- x 1
- x 1
- x 1

0 5 10 mm

5.8 mm

27 25+26

- x 2
- x 2
- x 1
- x 1

0 5 10 15 20 mm

9.5 mm

