

### 11

- S1 x 1
- S3 x 1
- x 2
- x 1
- x 1
- x 1
- x 1

5.8 mm

12 mm

90°

A238 1:1

### 12

- S2 x 1
- S3 x 1
- x 2
- x 2
- x 1
- x 1
- x 1

9.5 mm

12 mm

### 13

- S2 x 1
- S3 x 1
- x 2
- x 2
- x 1
- x 1
- x 1

9.5 mm

12 mm

90°

### 14

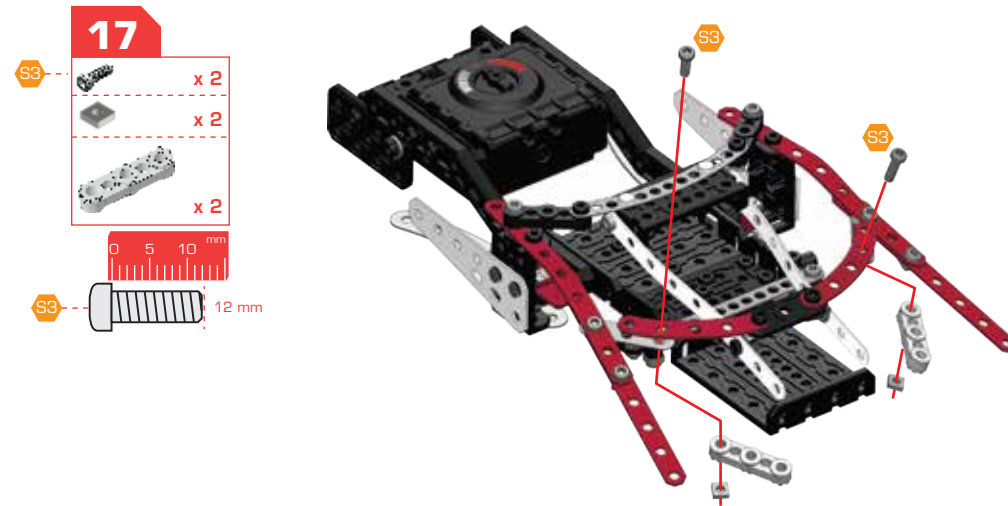
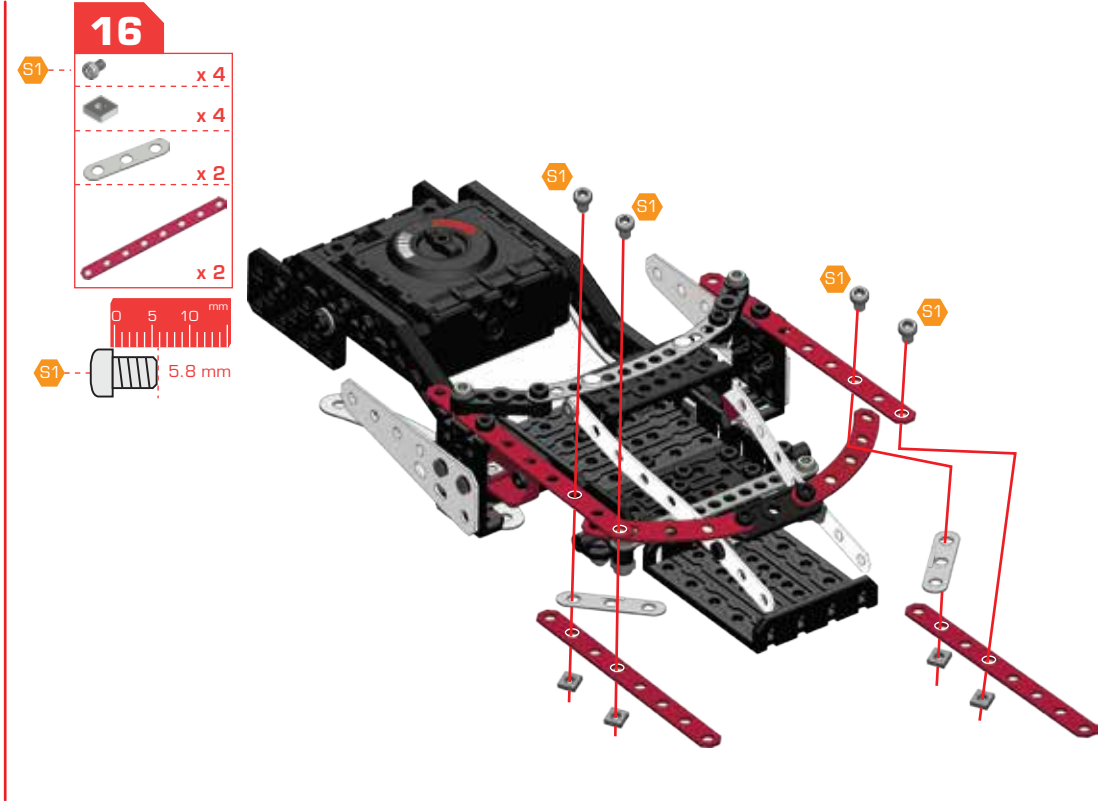
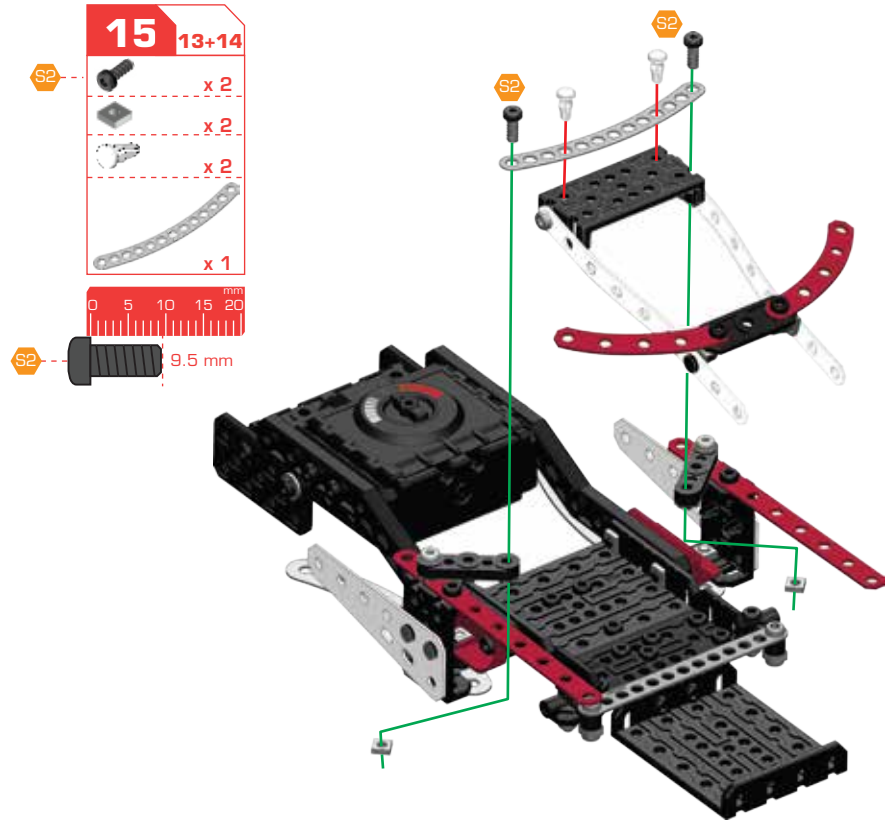
- S1 x 2
- S2 x 2
- x 2
- x 4
- x 2
- x 1
- x 2
- x 1
- x 2

5.8 mm

9.5 mm

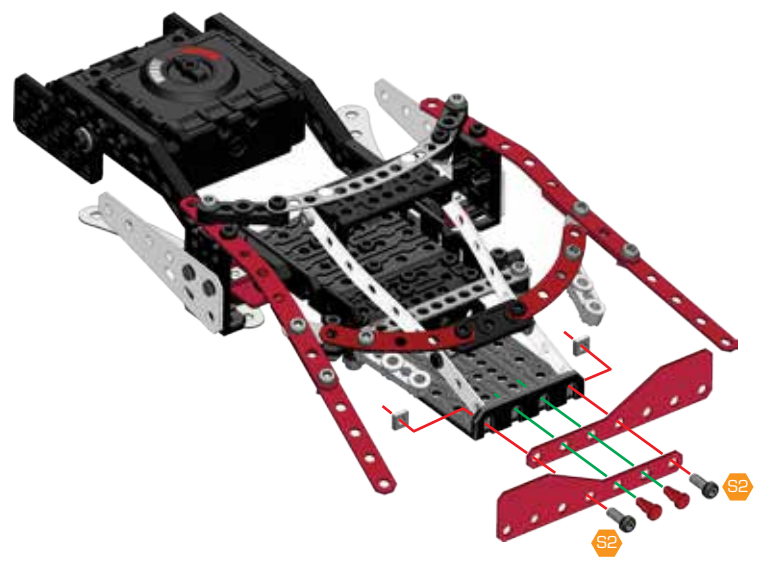
1

2



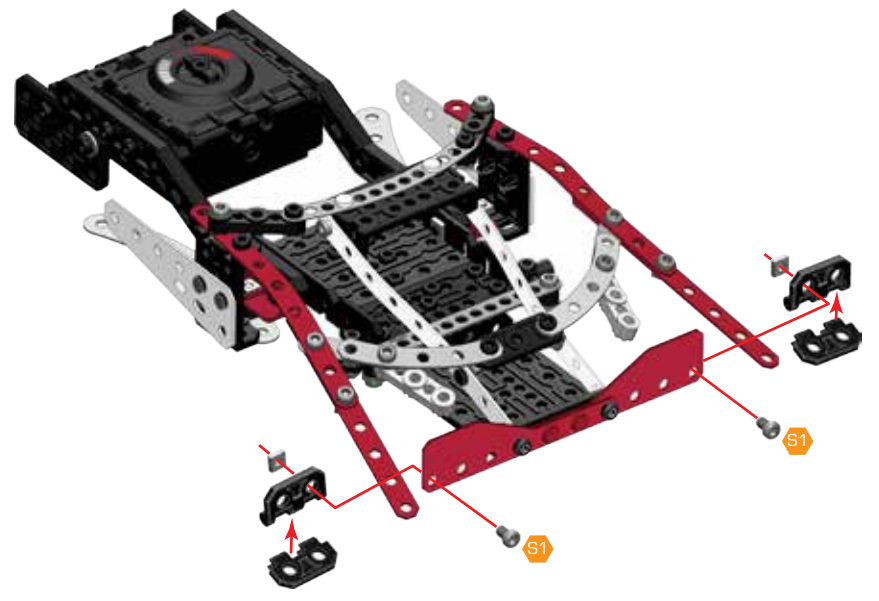
# 18

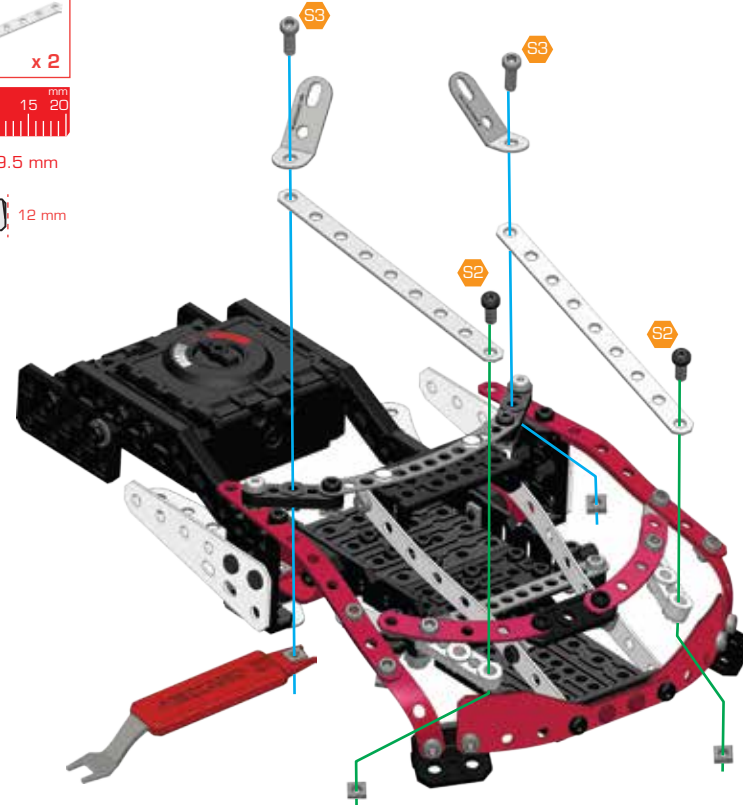
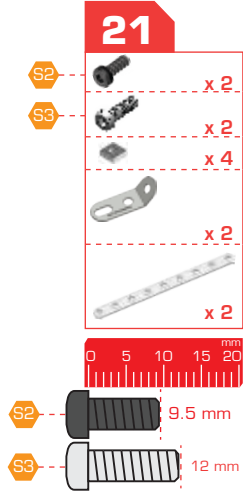
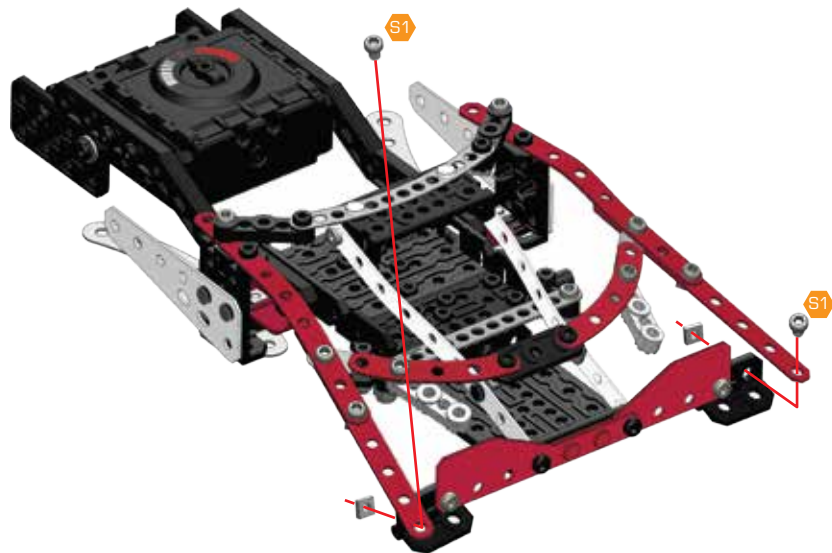
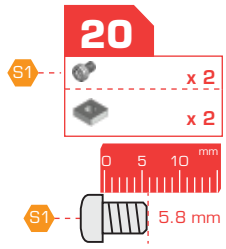
- S2 x 2
  - x 2
  - x 2
  - x 2
- 
- 9.5 mm

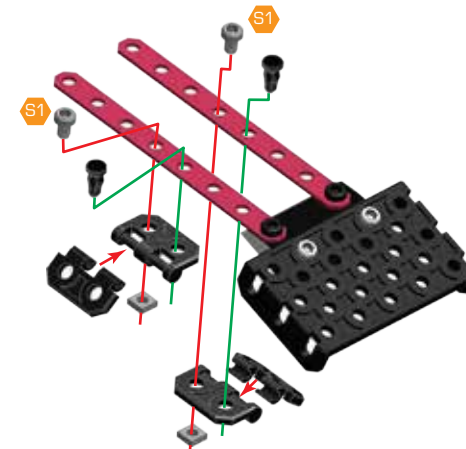
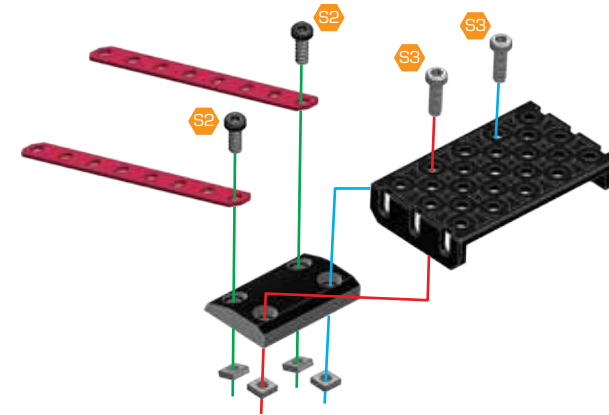
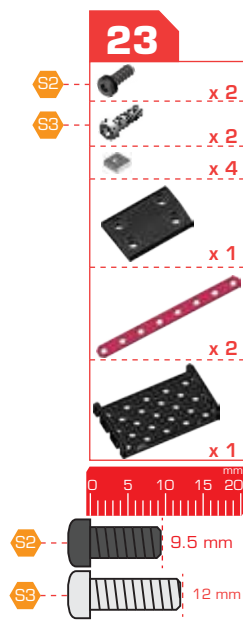
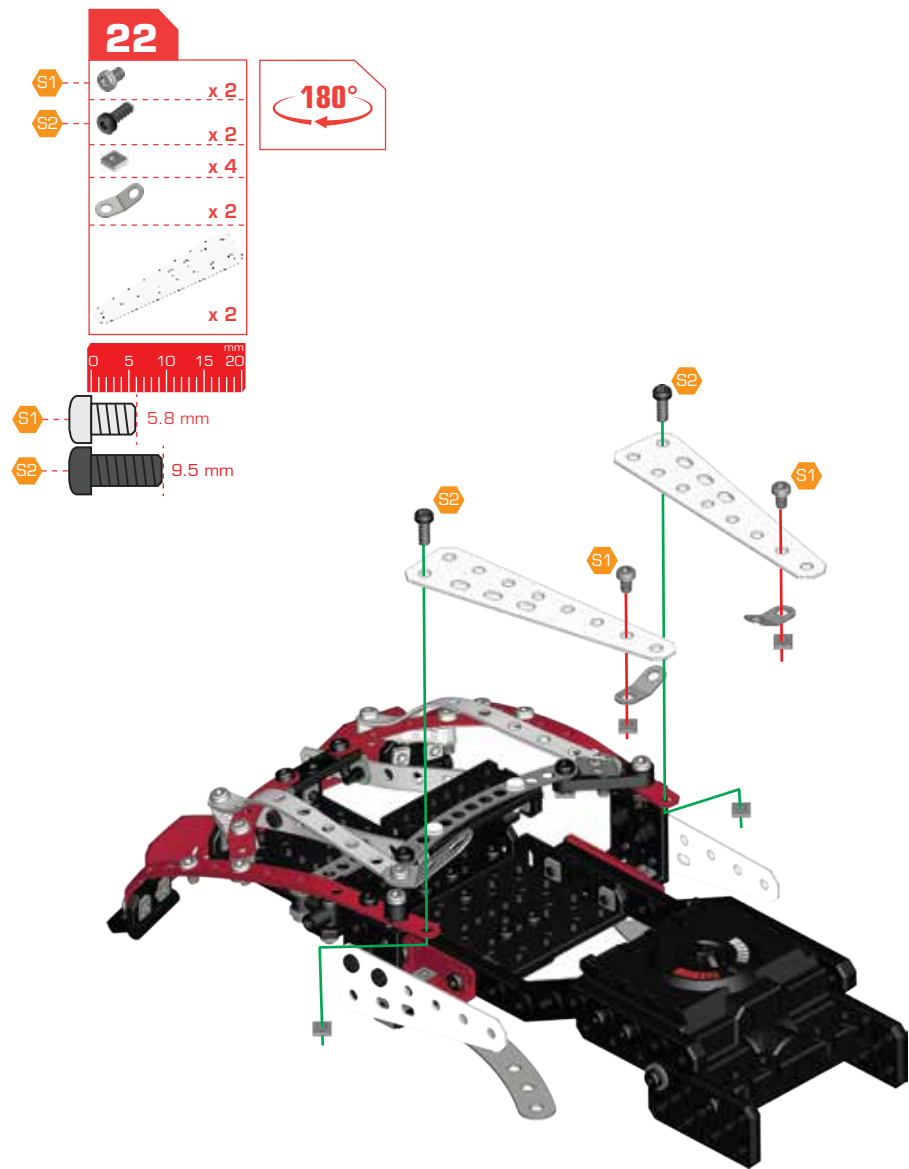


# 19

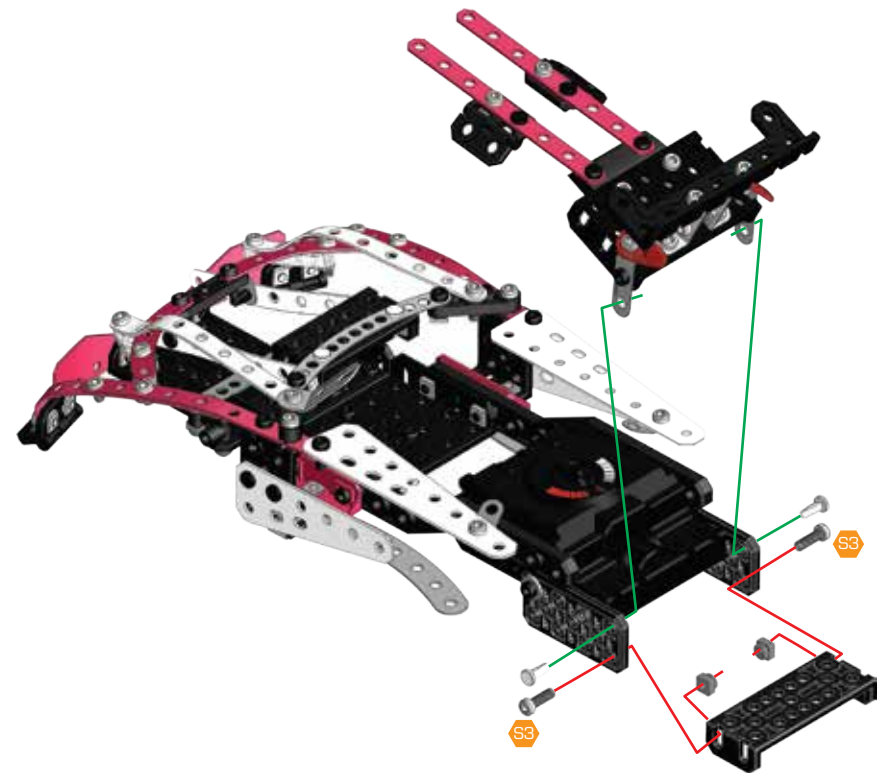
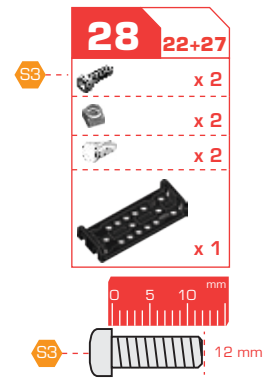
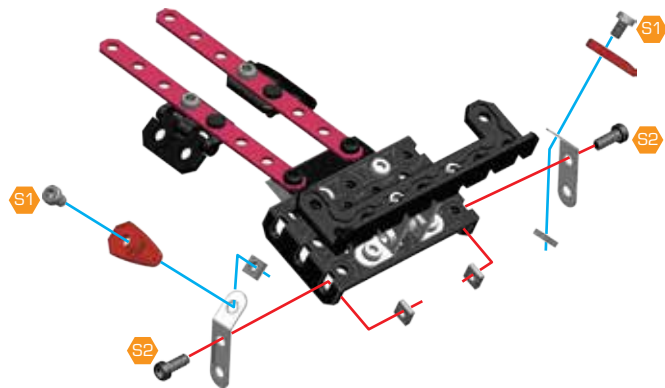
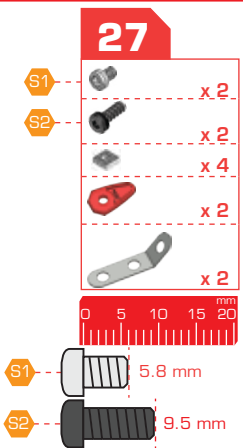
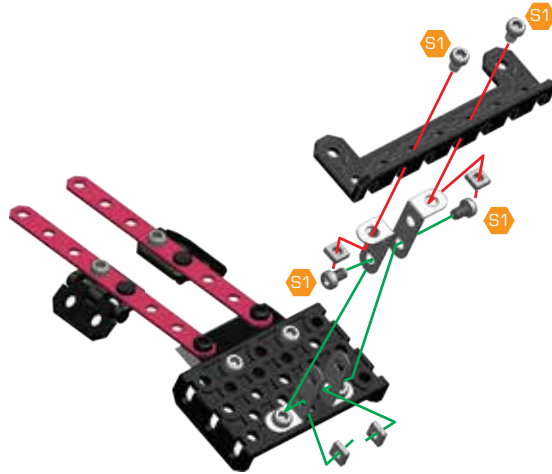
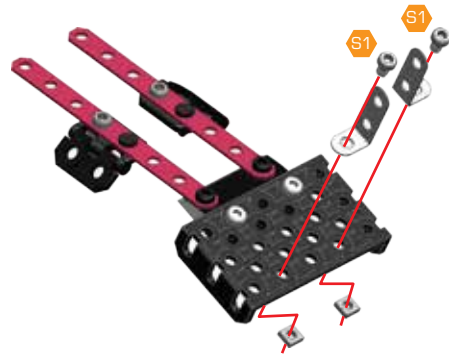
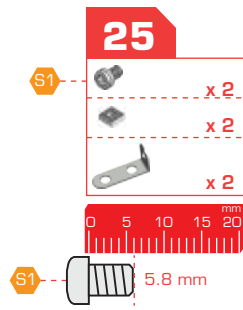
- S1 x 2
  - x 2
  - x 2
  - x 2
- 
- 5.8 mm

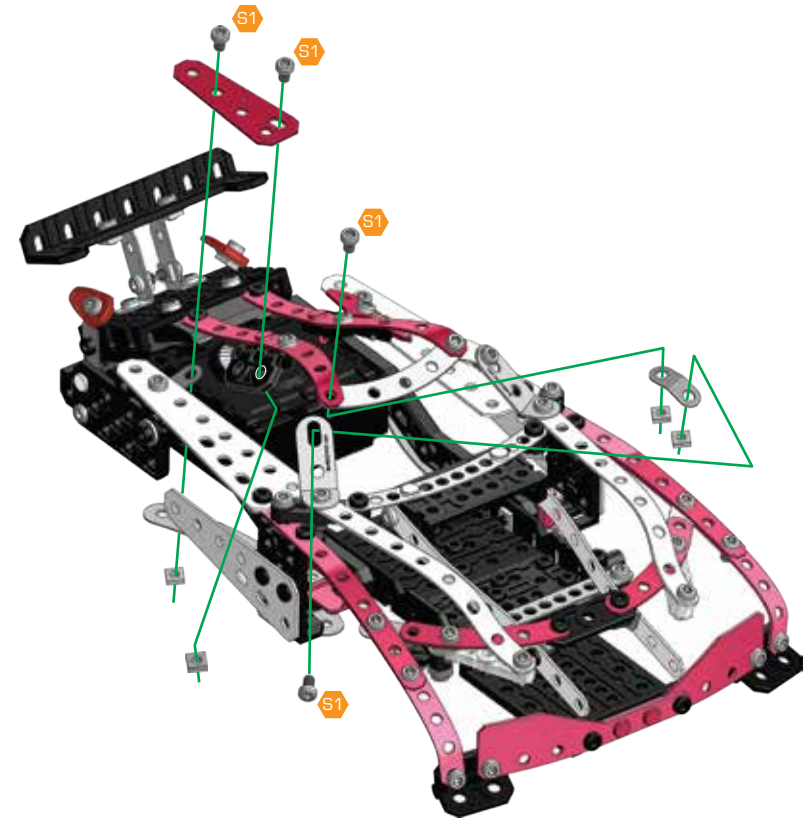
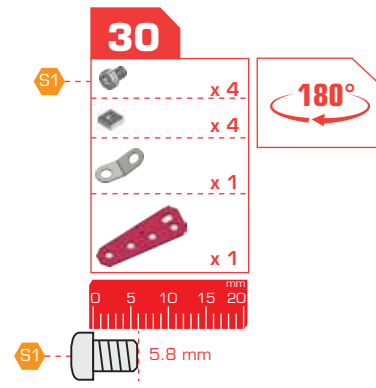
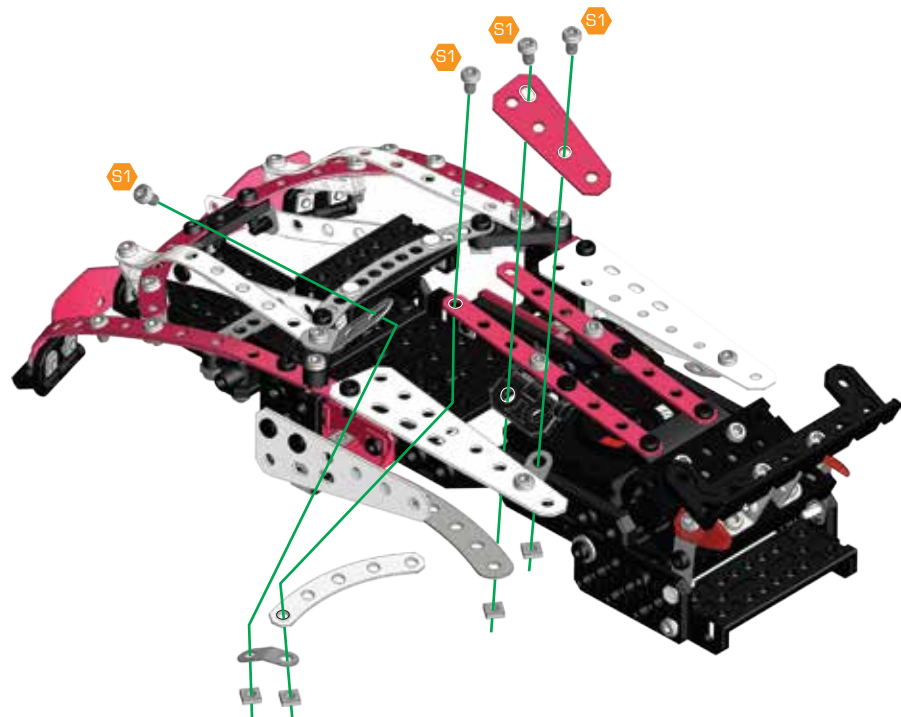
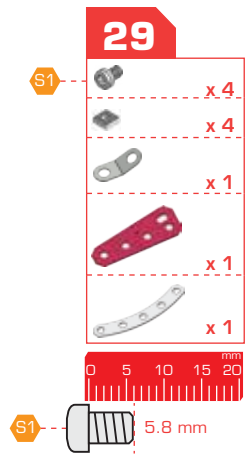




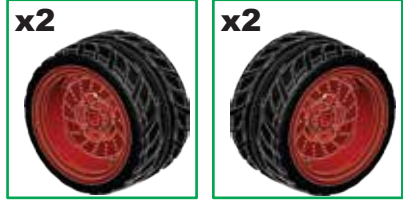




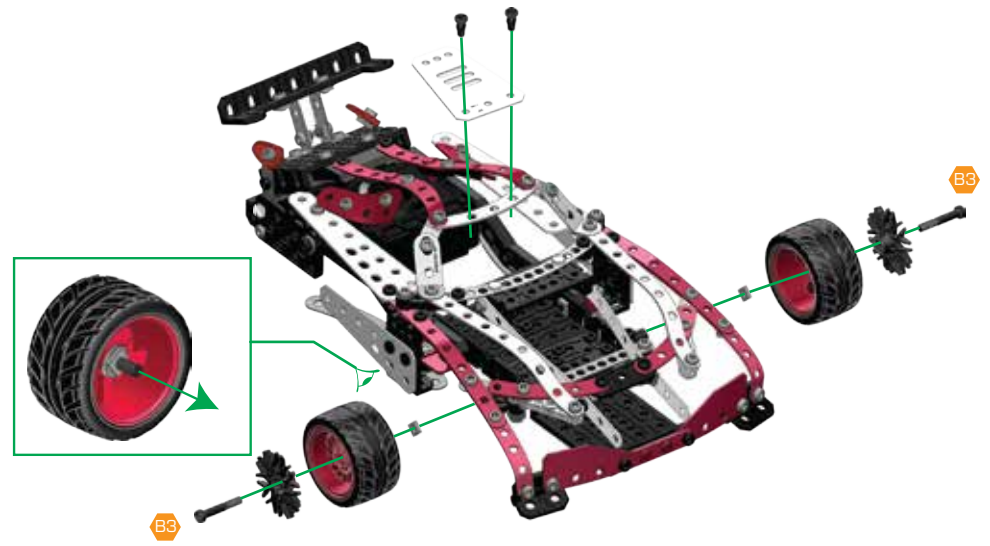
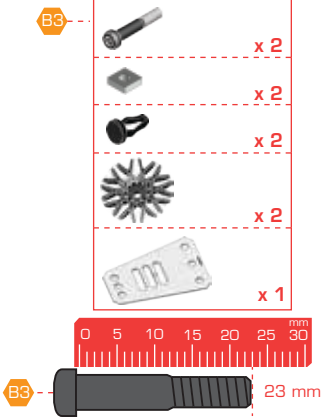




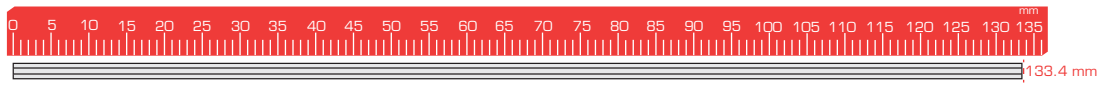
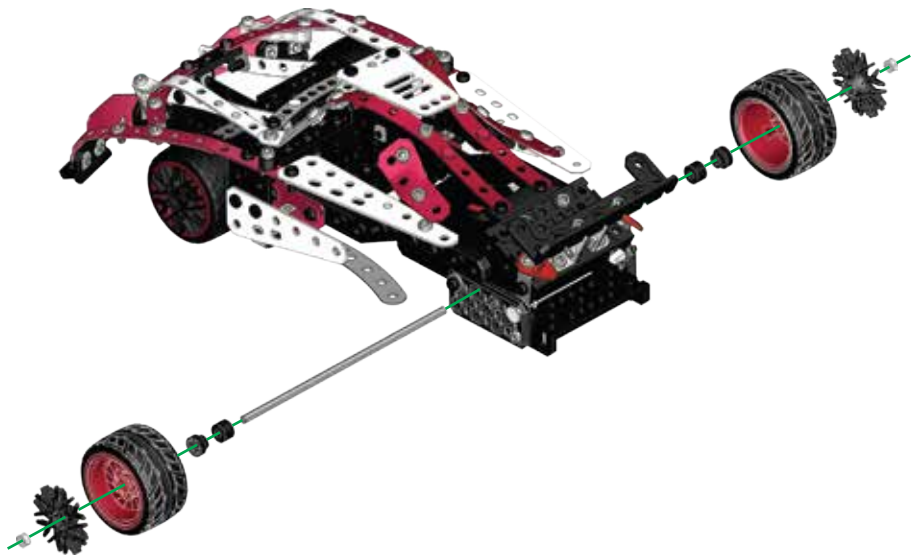
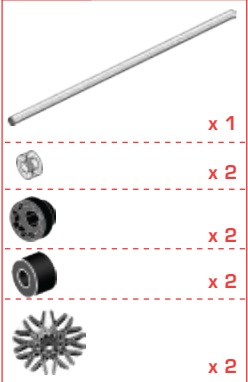
### 31





### 32 30+31



### 33 31+32



**34**

	x 2
	x 2
	x 2
	x 2
	x 2

 5.8 mm



