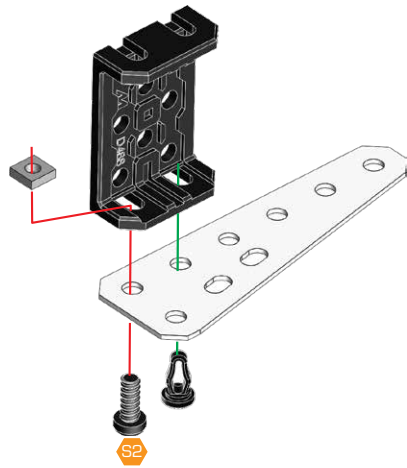
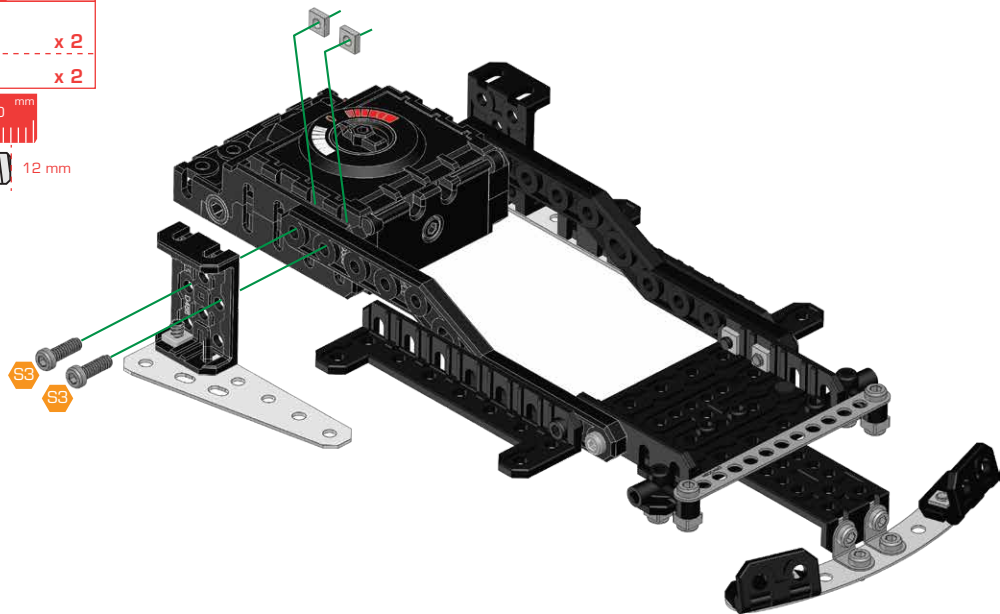


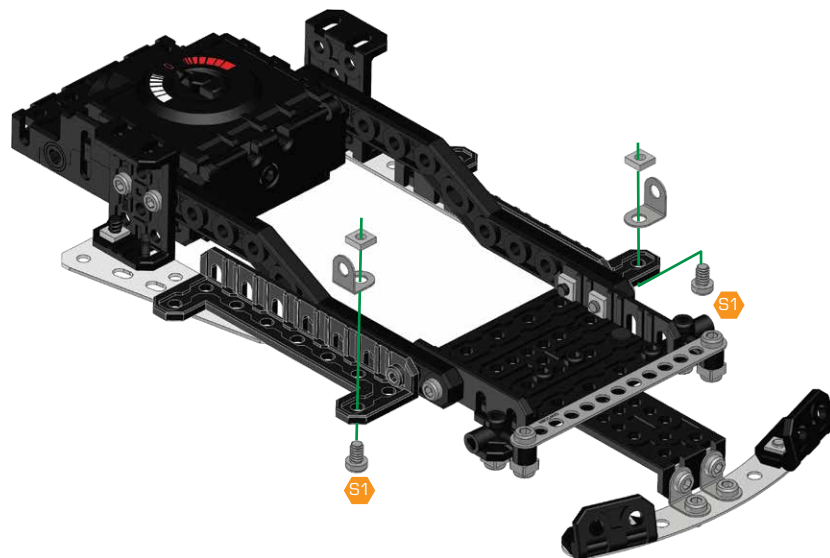
- 13**
- S2 x 1
 - x 1
 - x 1
 - x 1
 - x 1
- 0 5 10 15 20 mm
- S2 9.5 mm



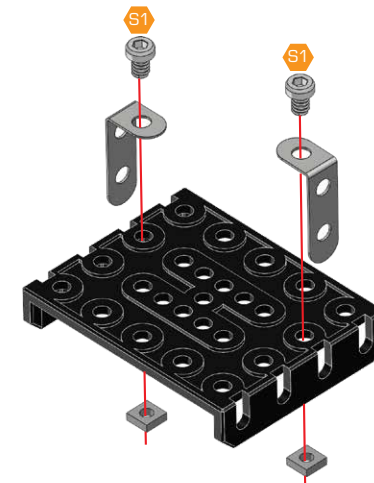
- 14** 12+13
- S3 x 2
 - x 2
 - 0 5 10 mm
 - S3 12 mm

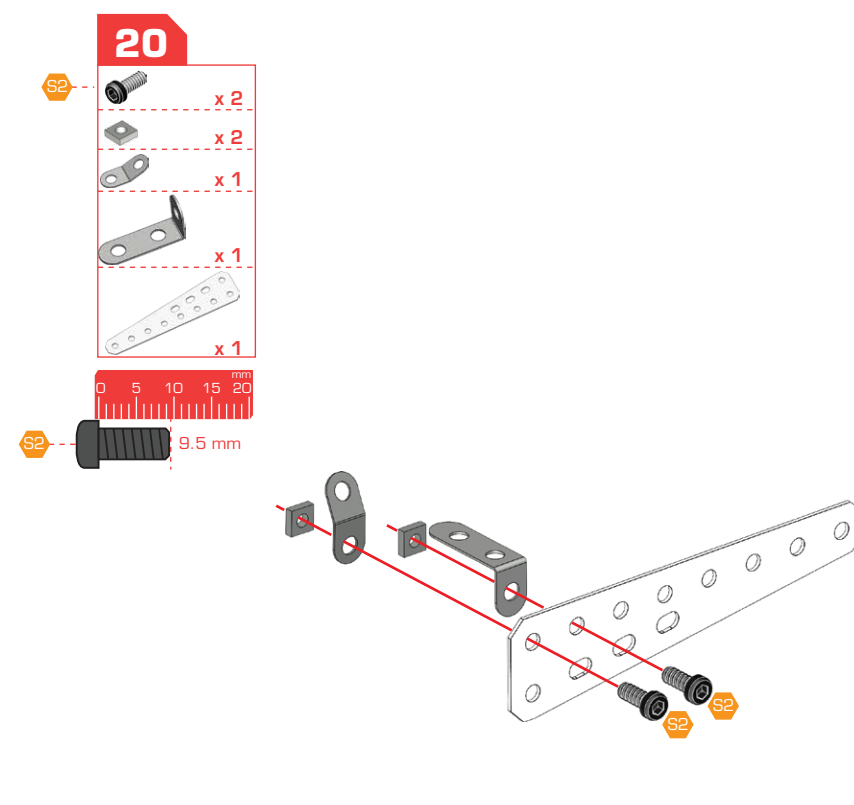
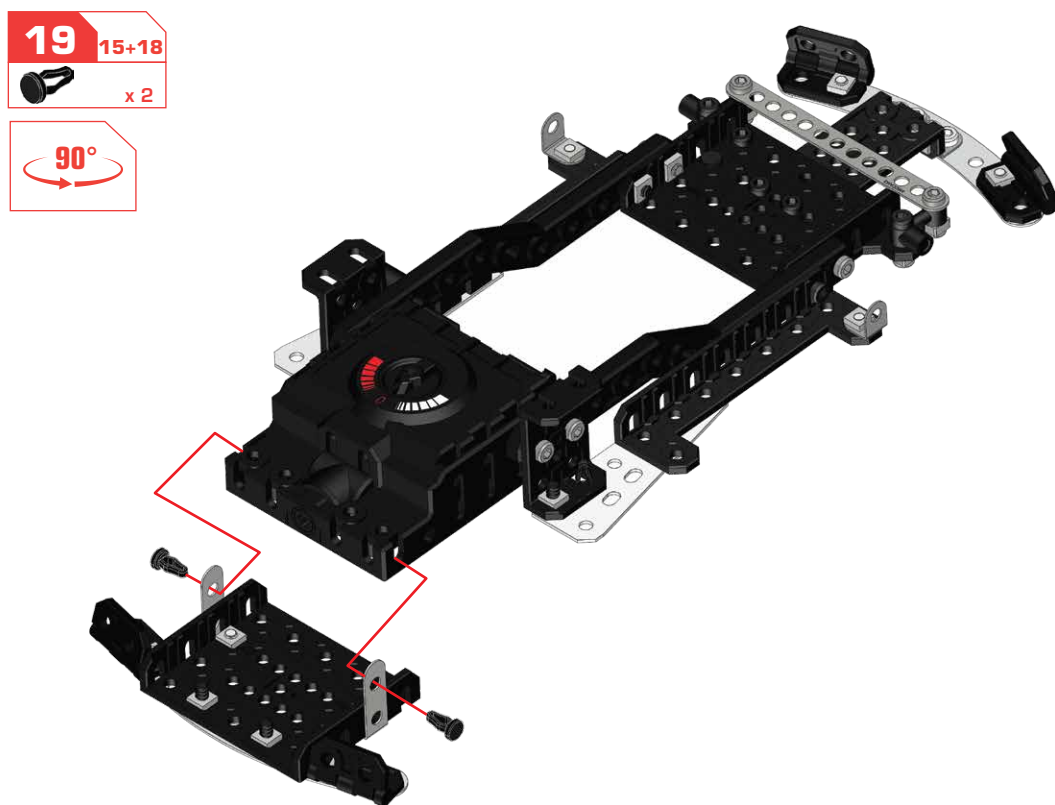
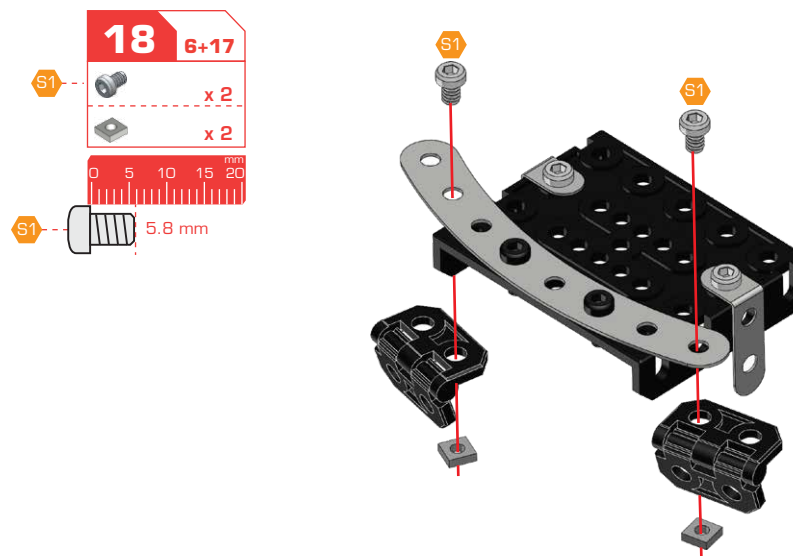
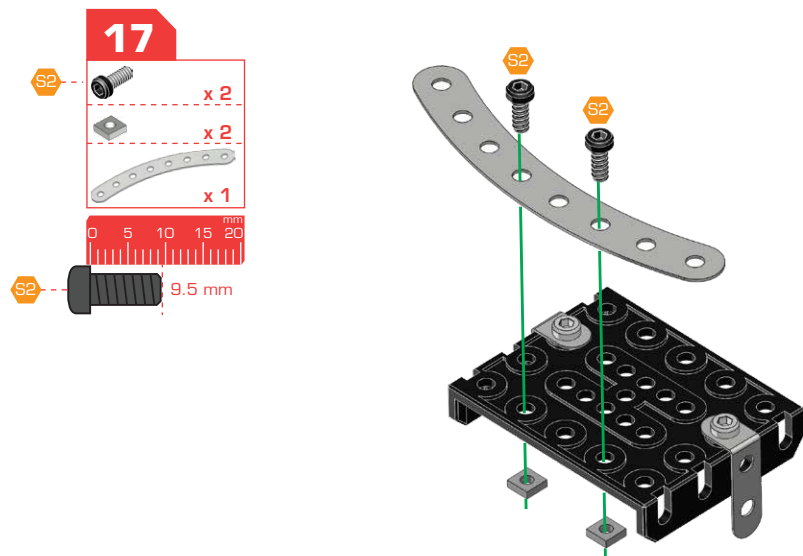


- 15**
- S1 x 2
 - x 2
 - x 2
 - 0 5 10 15 20 mm
 - S1 5.8 mm



- 16**
- S1 x 2
 - x 2
 - x 2
 - x 1
 - 0 5 10 15 20 mm
 - S1 5.8 mm





21 19+20

180°

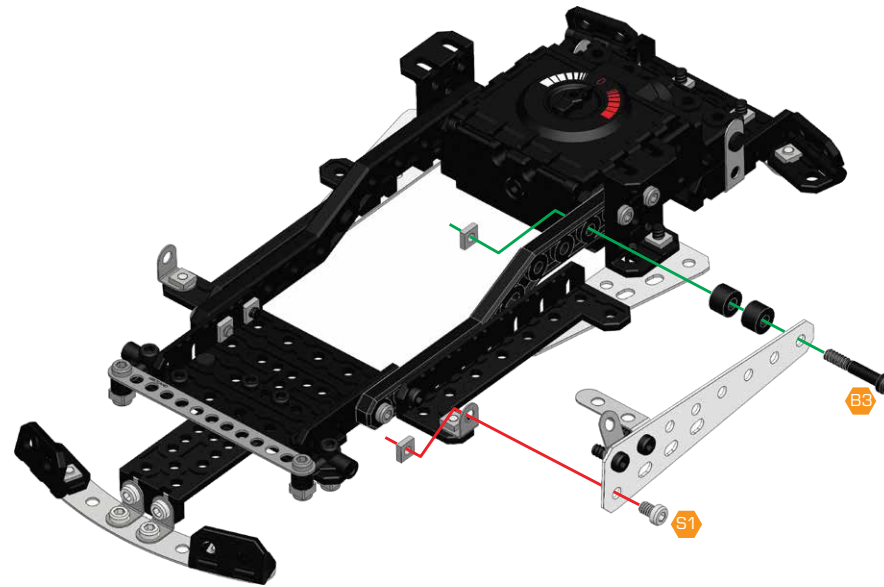
- S1 x 1
- B3 x 1
- x 2
- x 2

0 5 10 15 20 25 30 mm

S1 5.8 mm

B3 23 mm

A238 1:1

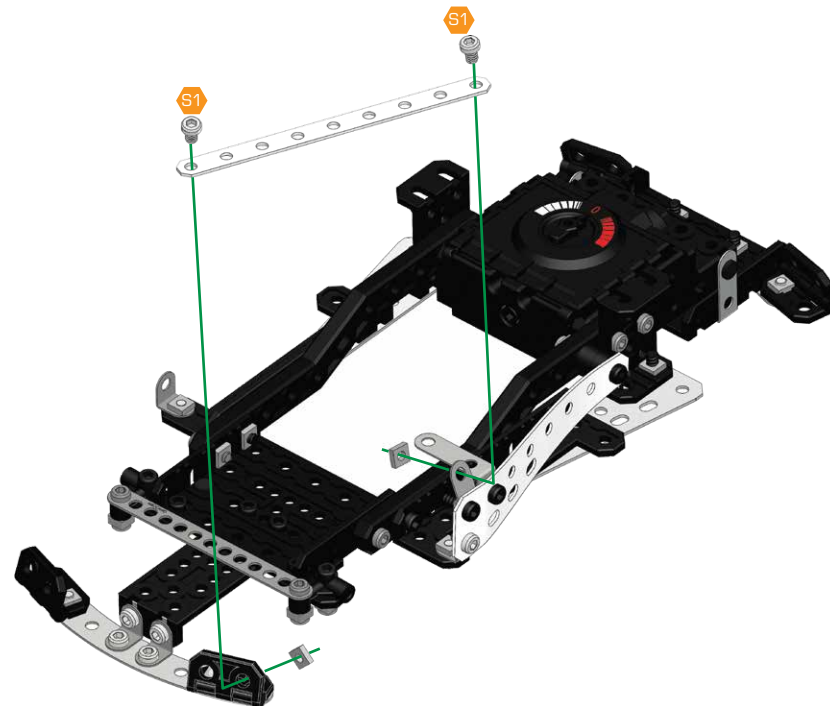


22

- S1 x 2
- x 2
- x 1

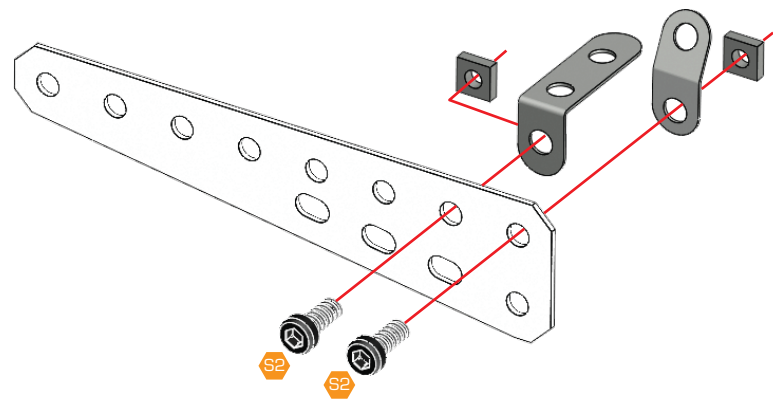
0 5 10 mm

S1 5.8 mm



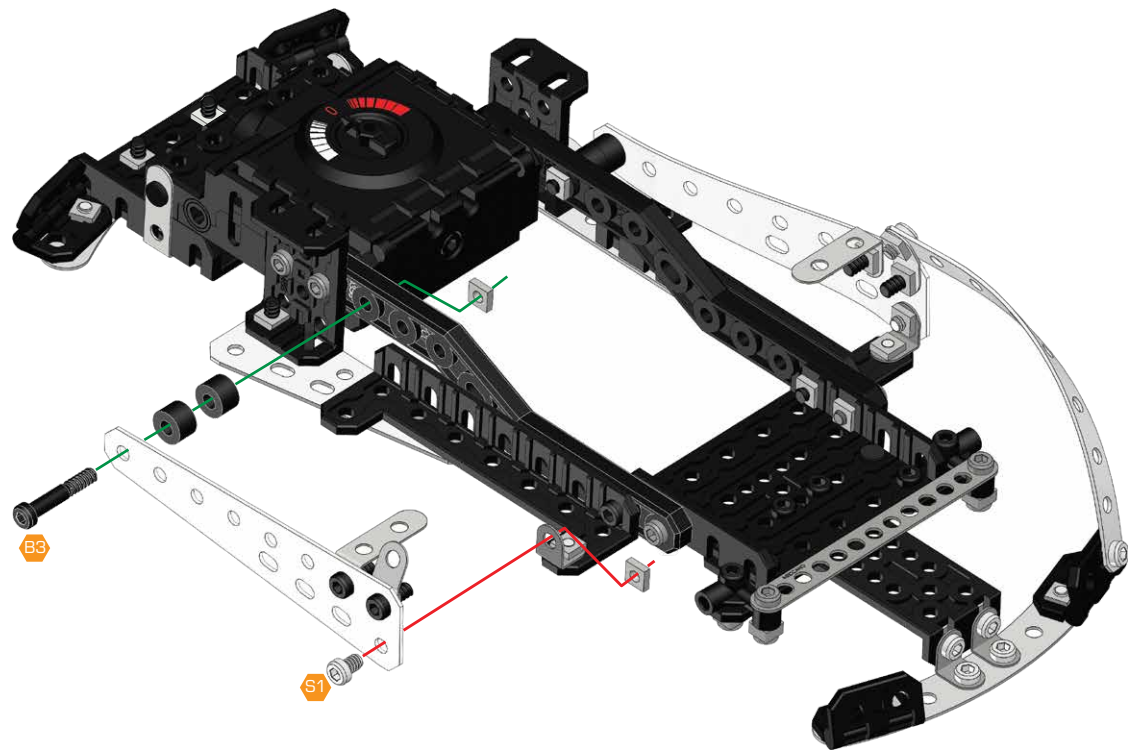
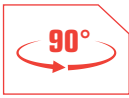
23

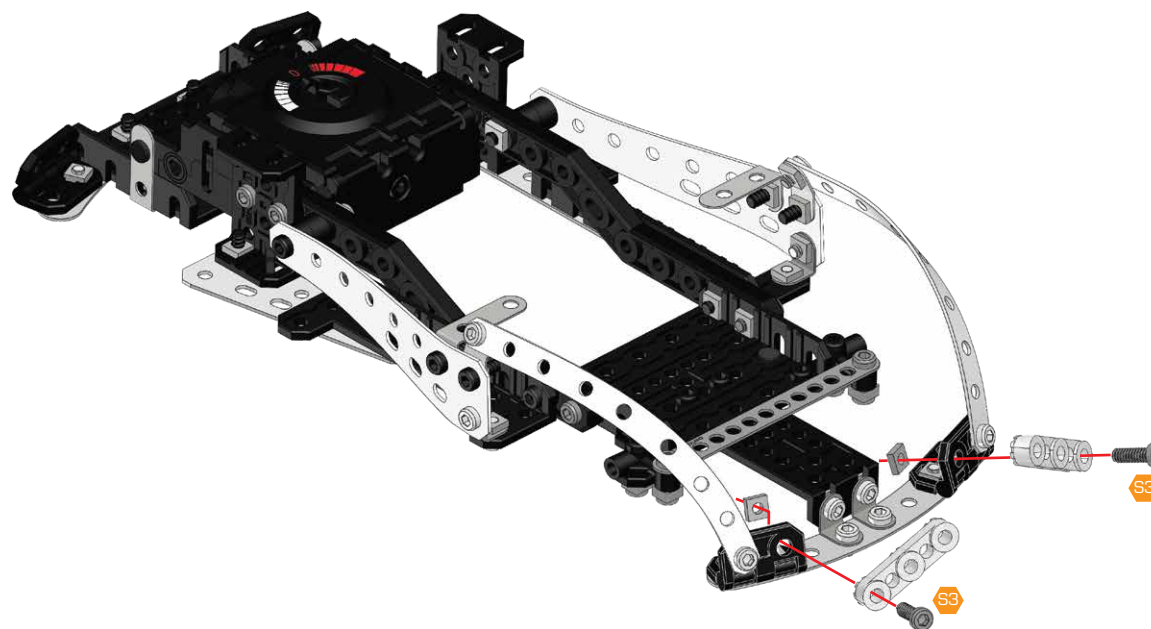
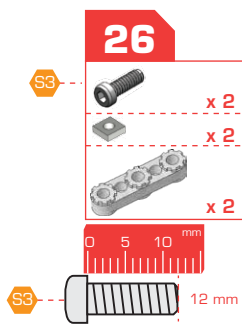
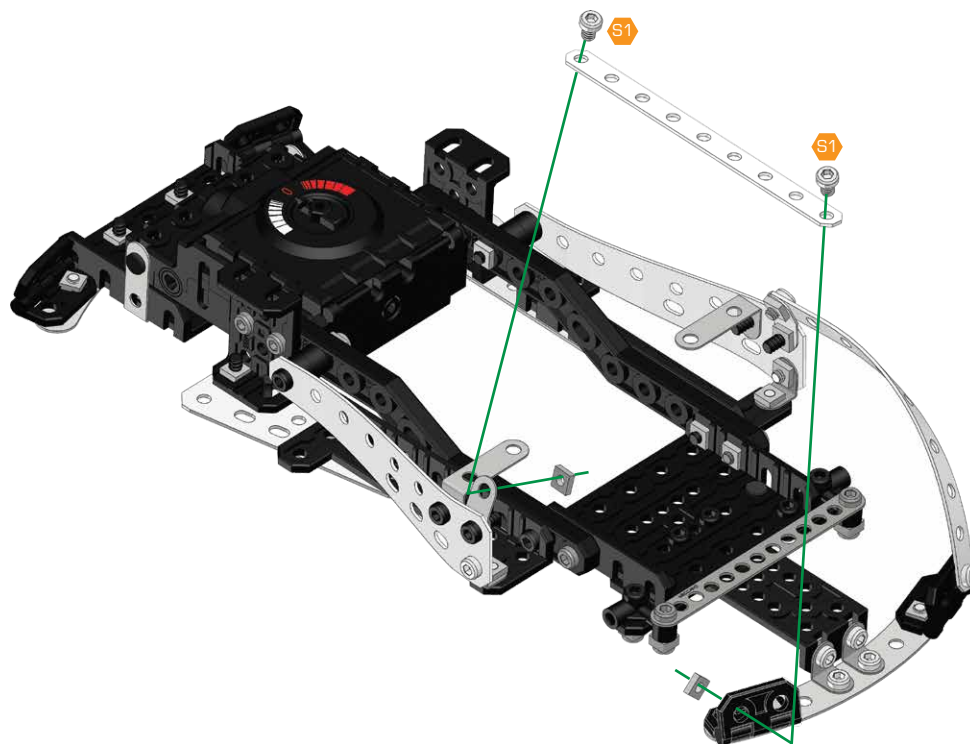
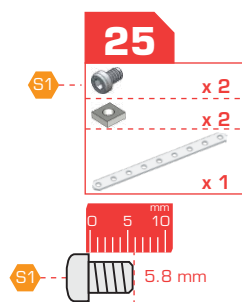
- S2 x 2
- x 2
- x 1
- x 1
- x 1
- 0 5 10 15 20 mm
- S2 9.5 mm

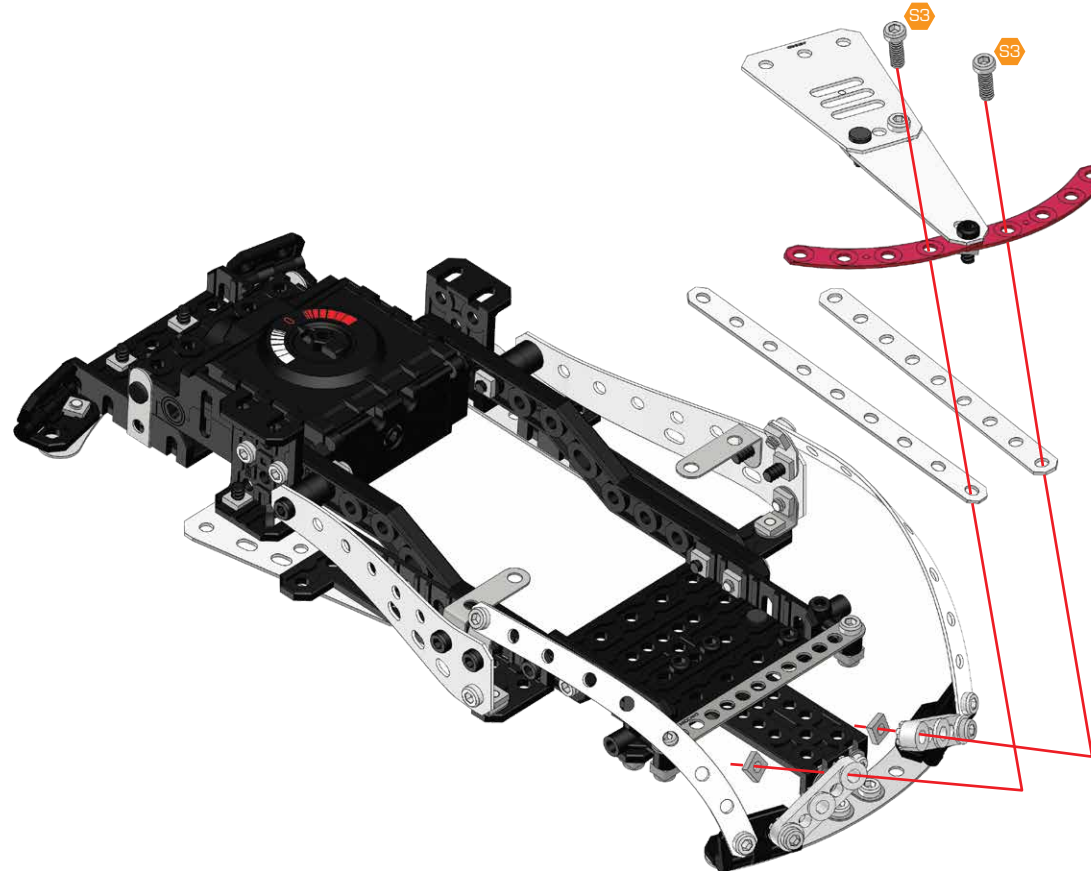
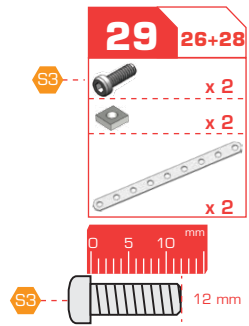
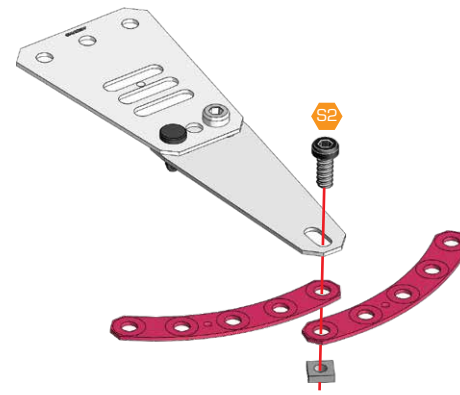
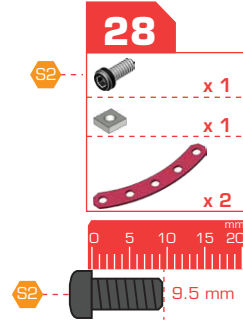
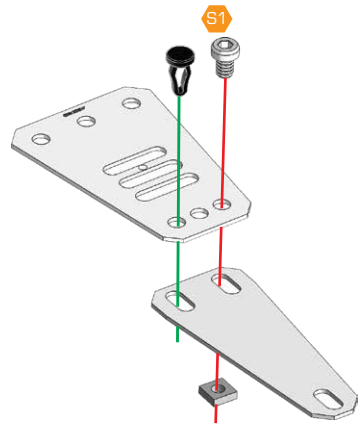


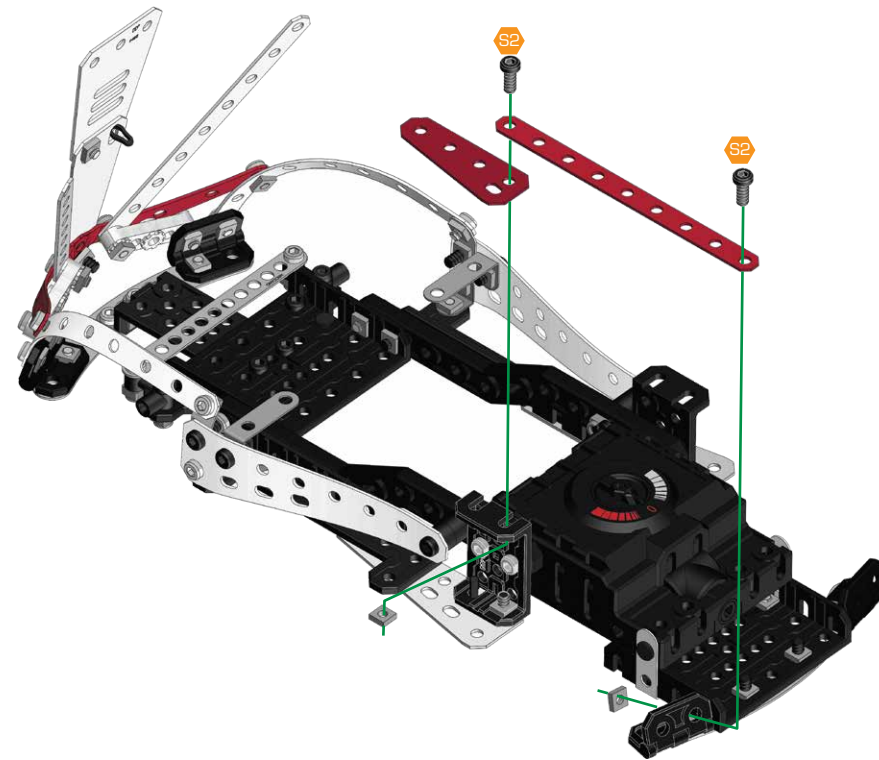
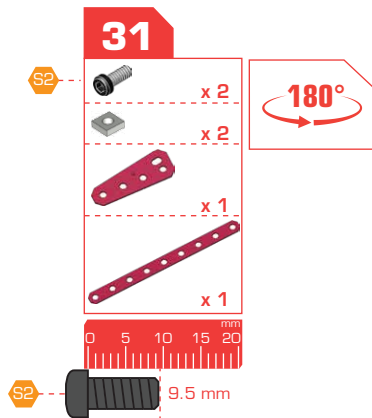
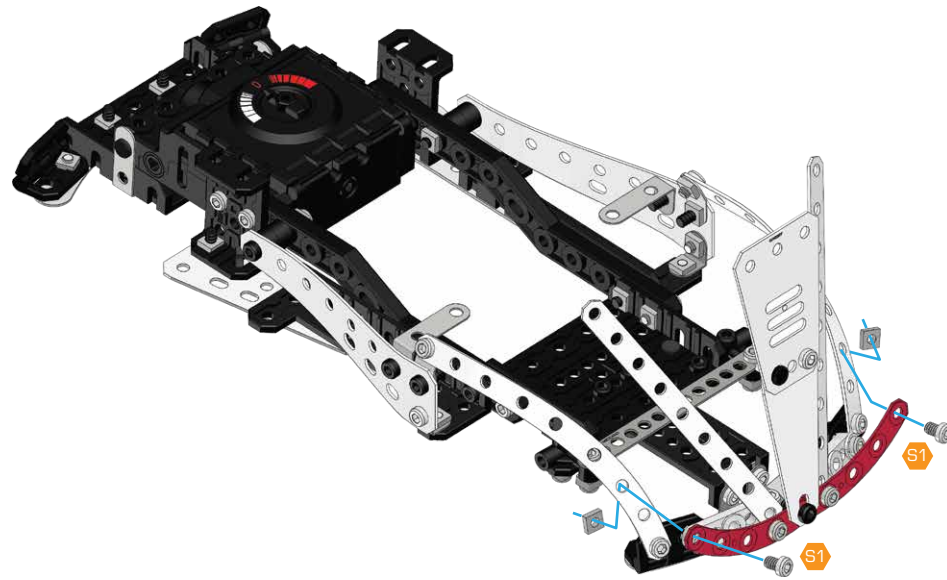
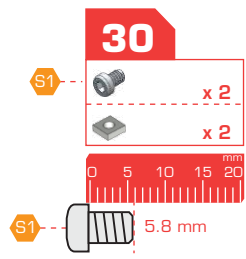
24 22+23

- S1 x 1
- B3 x 1
- x 1
- x 2
- x 2
- 0 5 10 15 20 25 30 mm
- S1 5.8 mm
- B3 23 mm
- A238 1:1







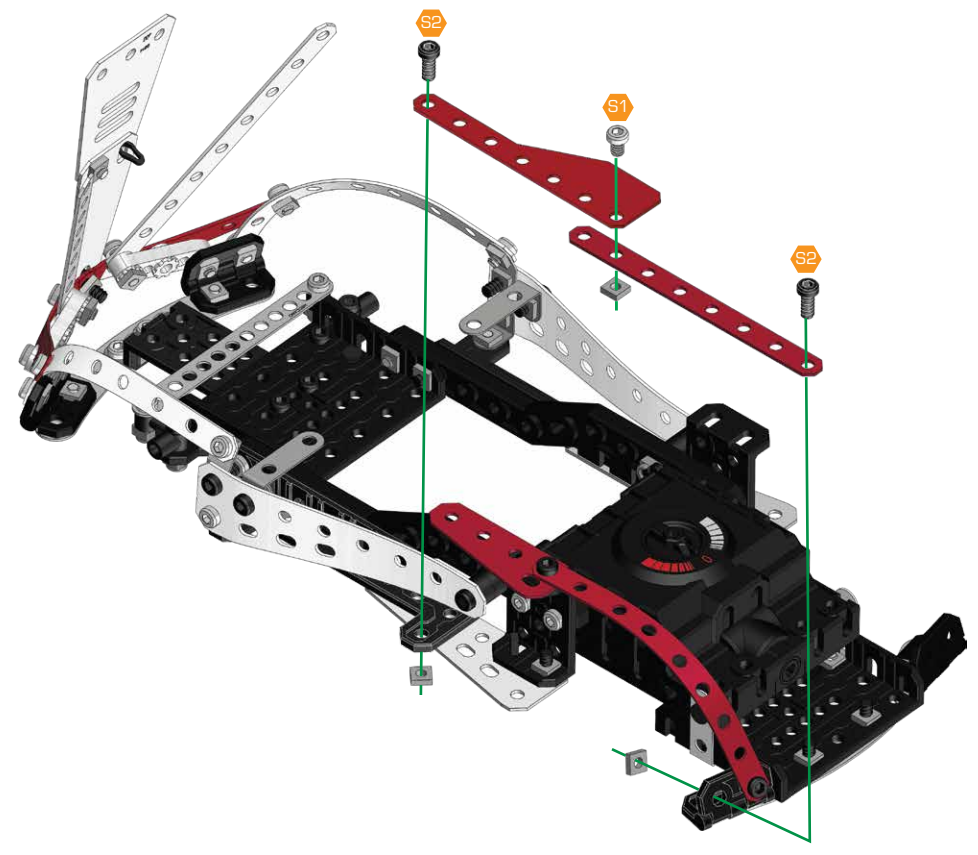


32

- S1 x 1
- S2 x 2
- x 3
- x 1
- x 1

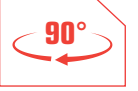


- S1 5.8 mm
- S2 9.5 mm

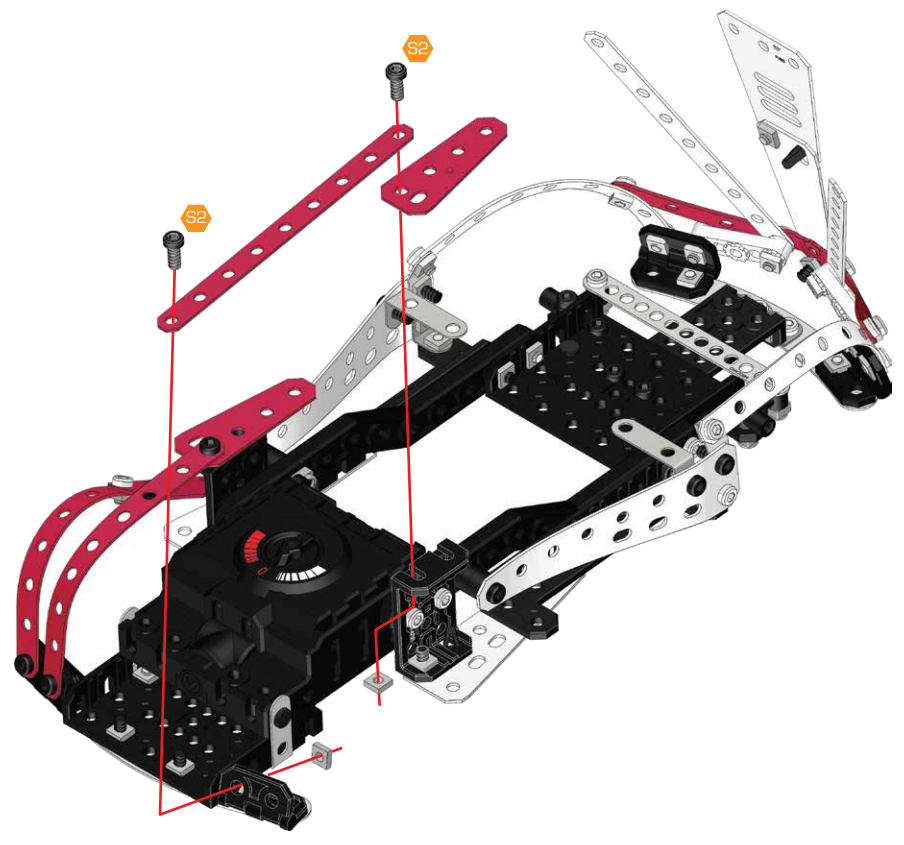


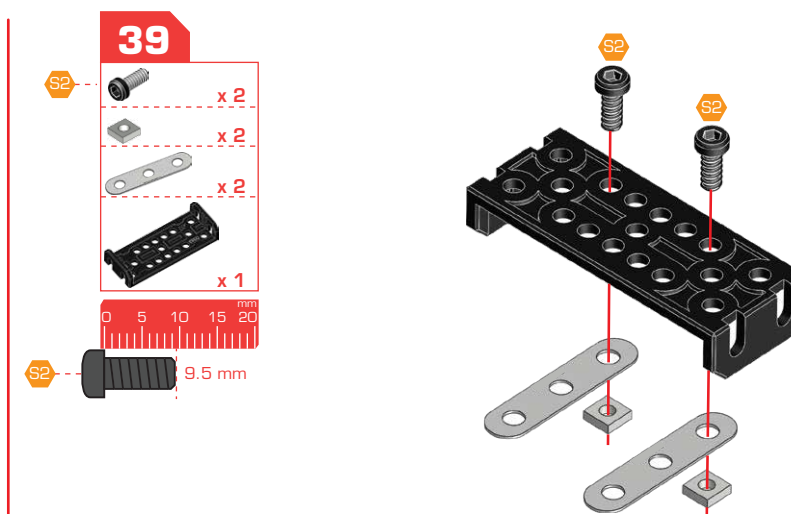
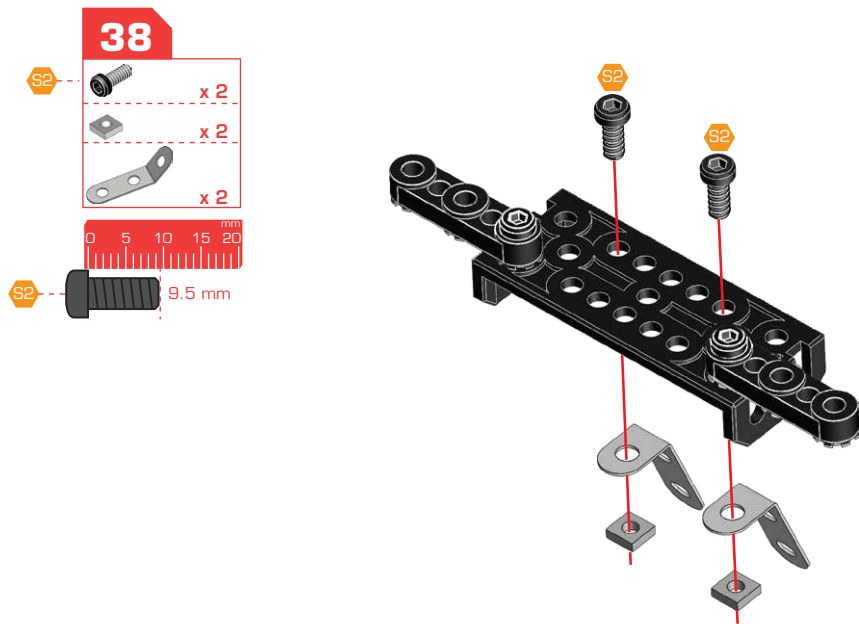
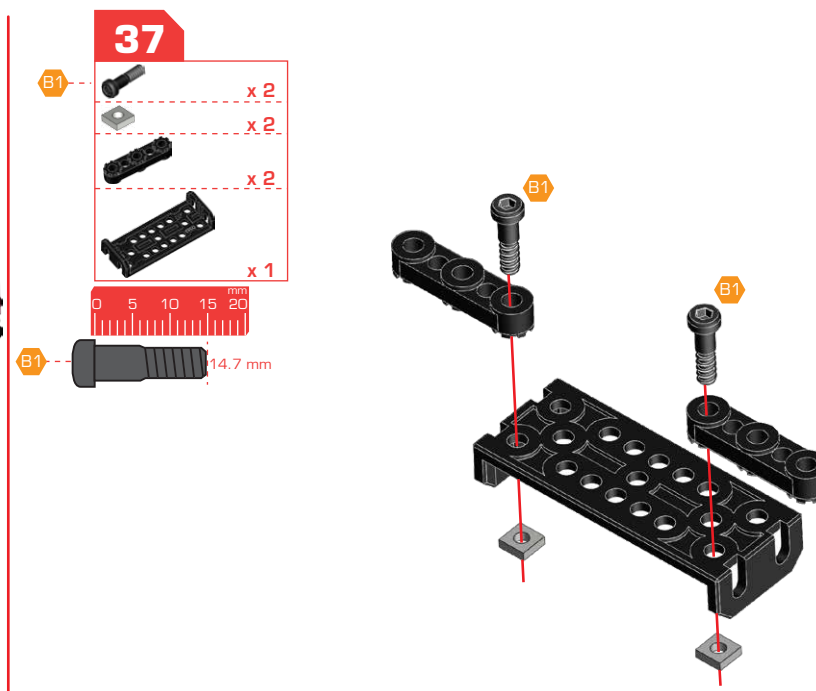
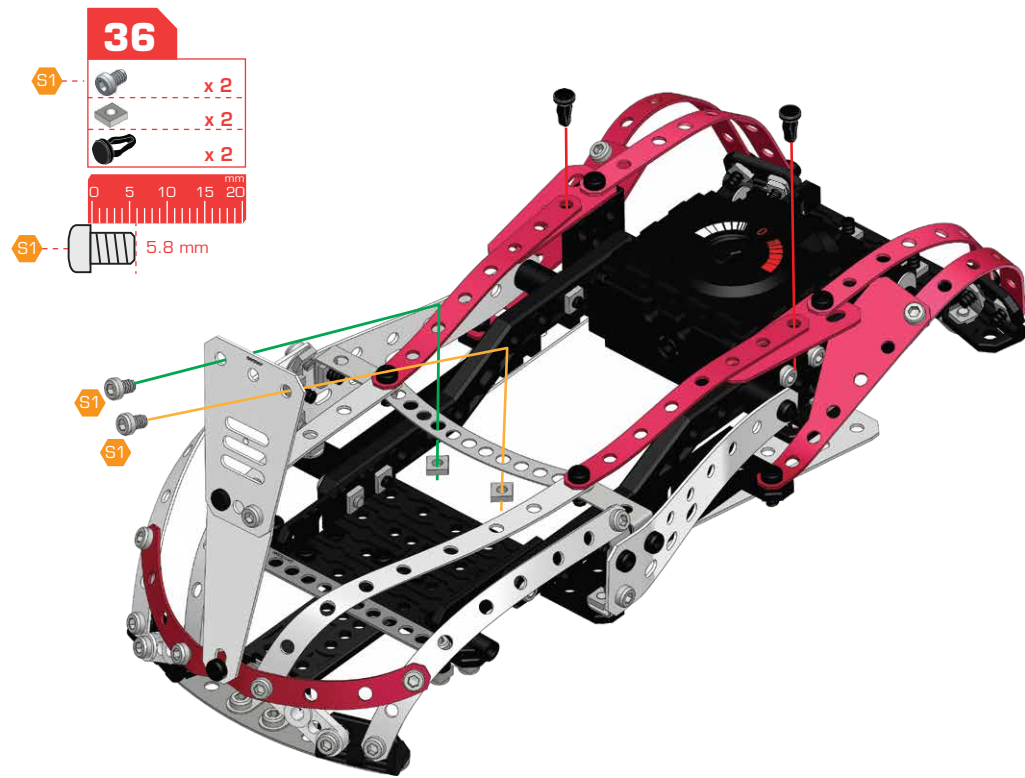
33

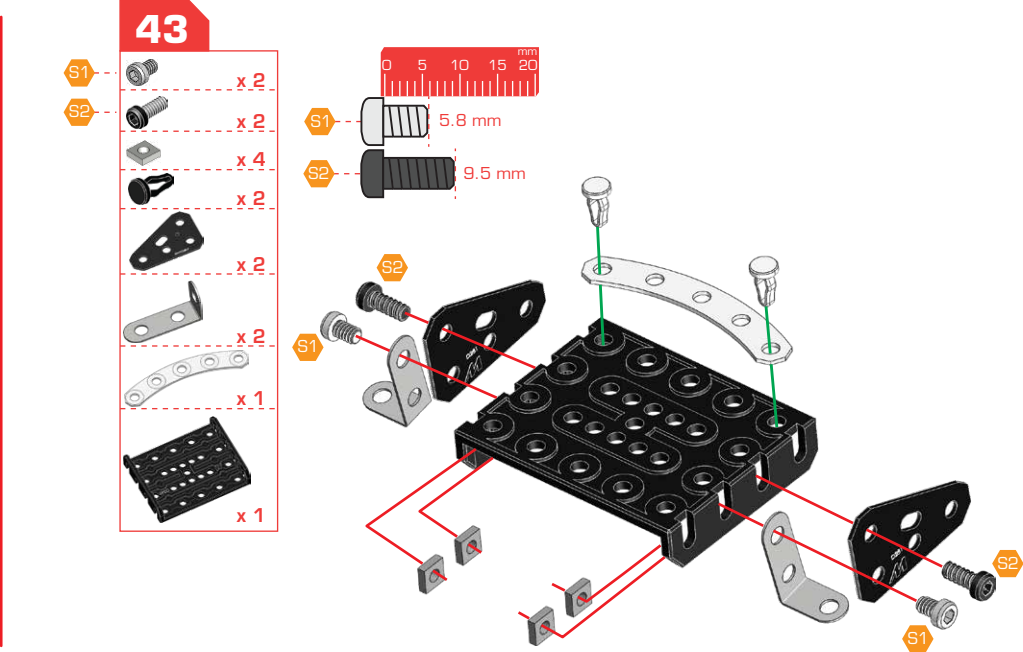
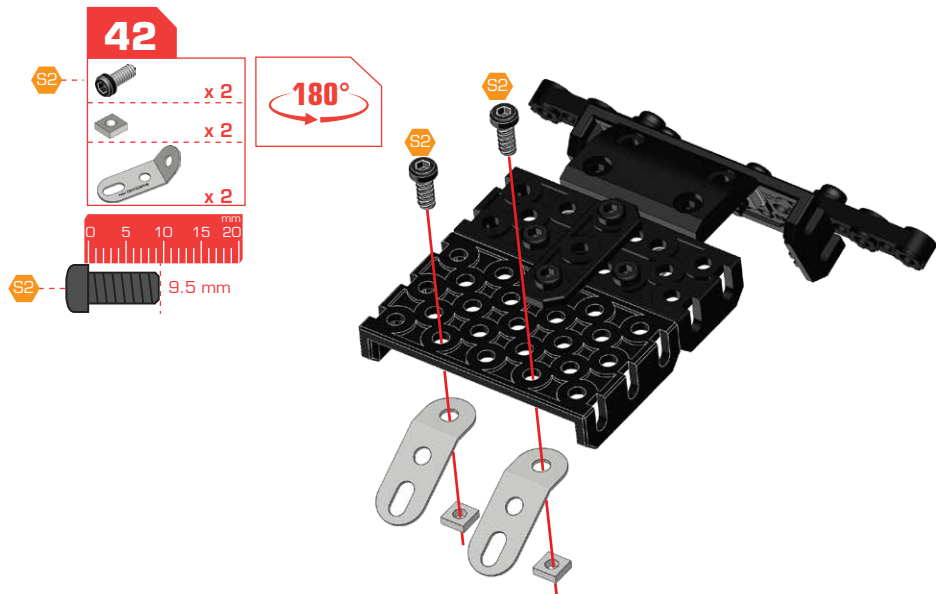
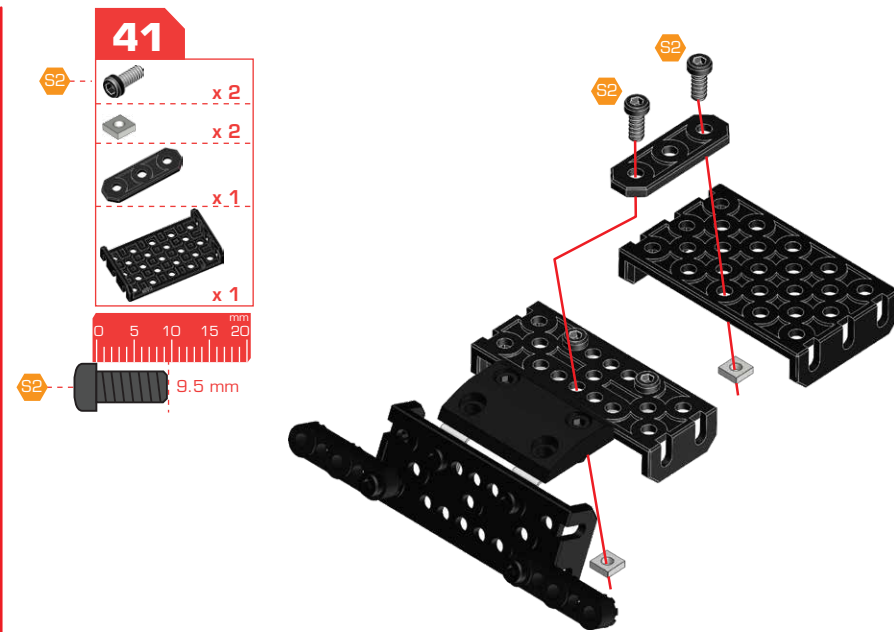
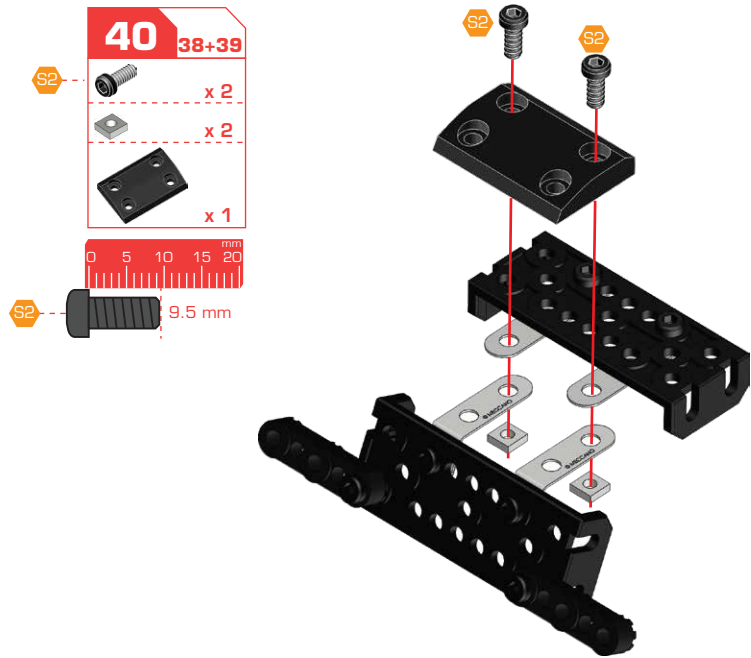
- S2 x 2
- x 2
- x 1
- x 1

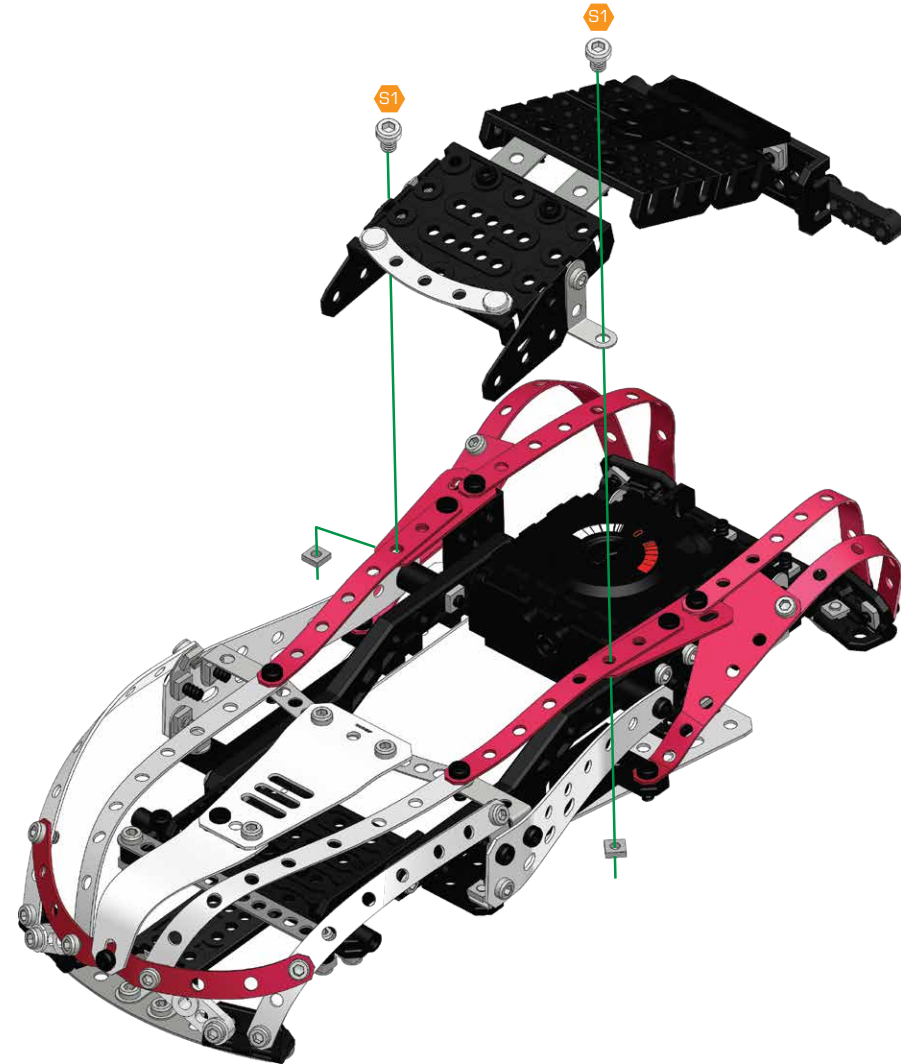
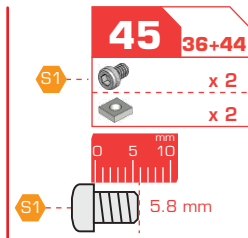
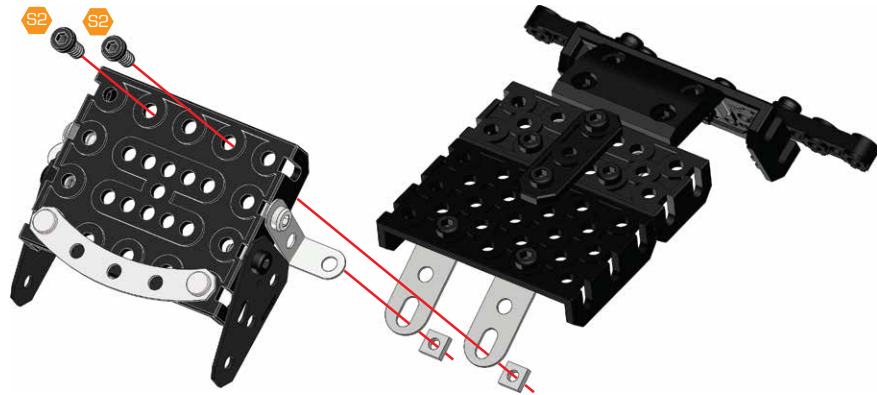
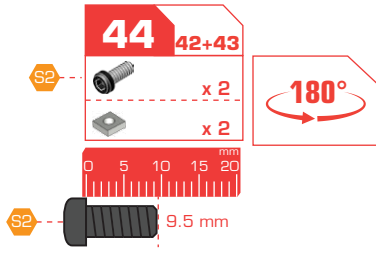


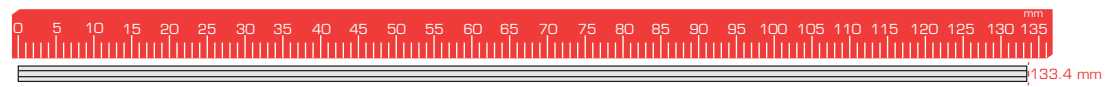
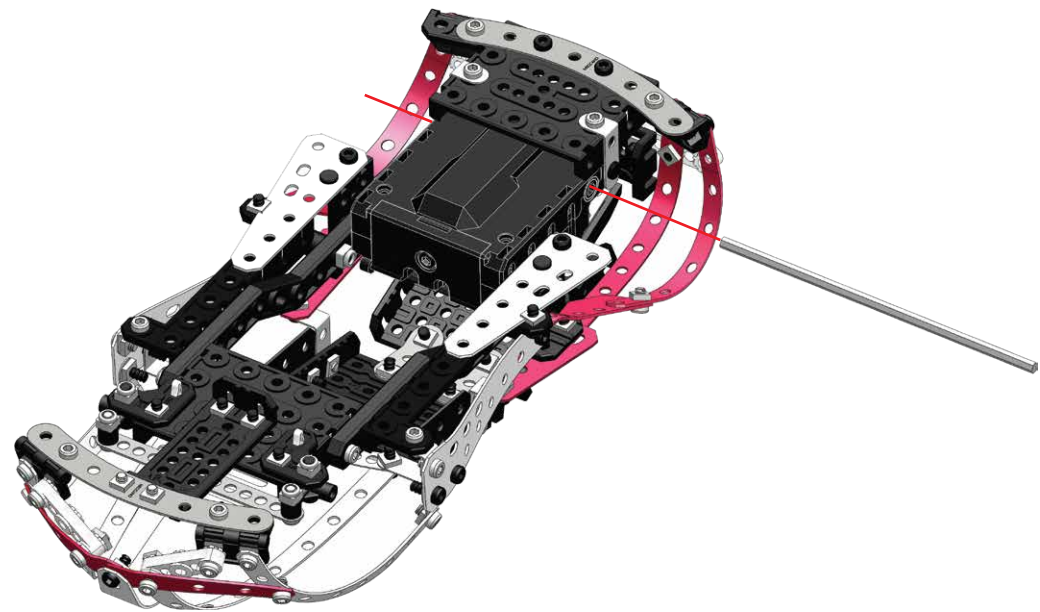
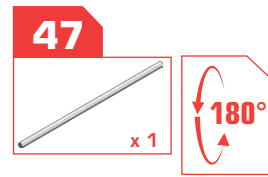
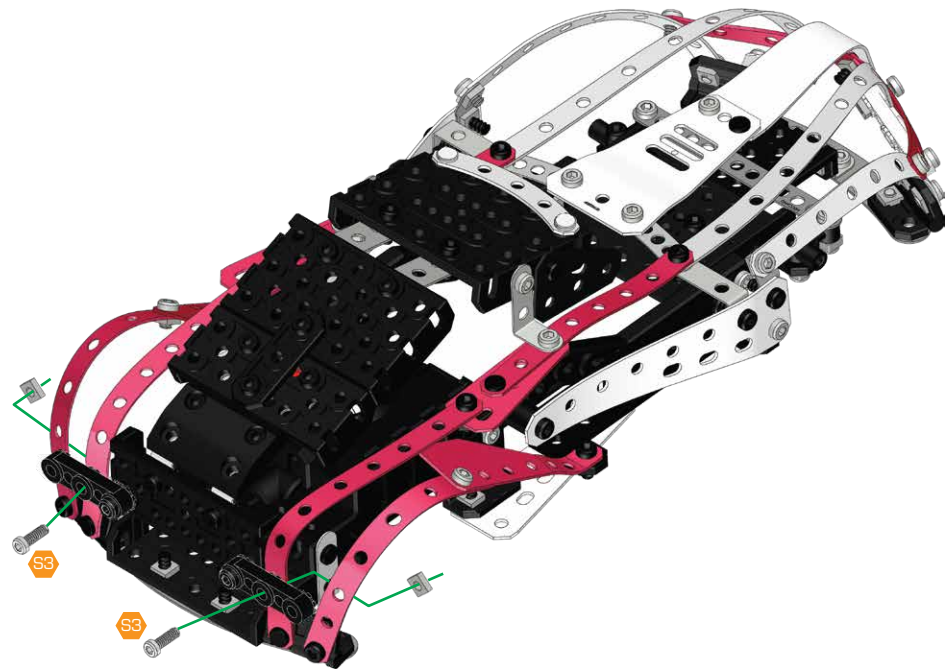
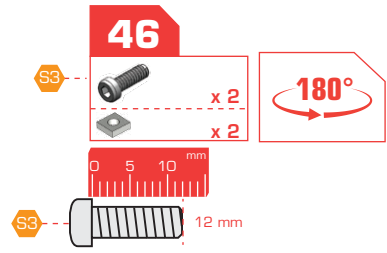
- S2 9.5 mm











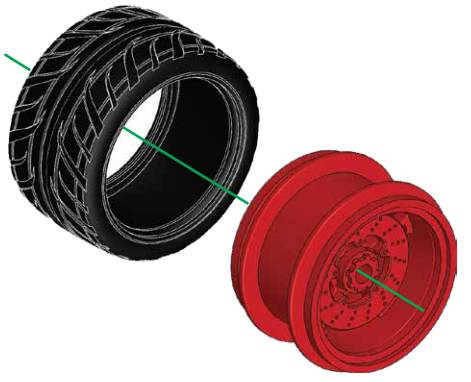
48



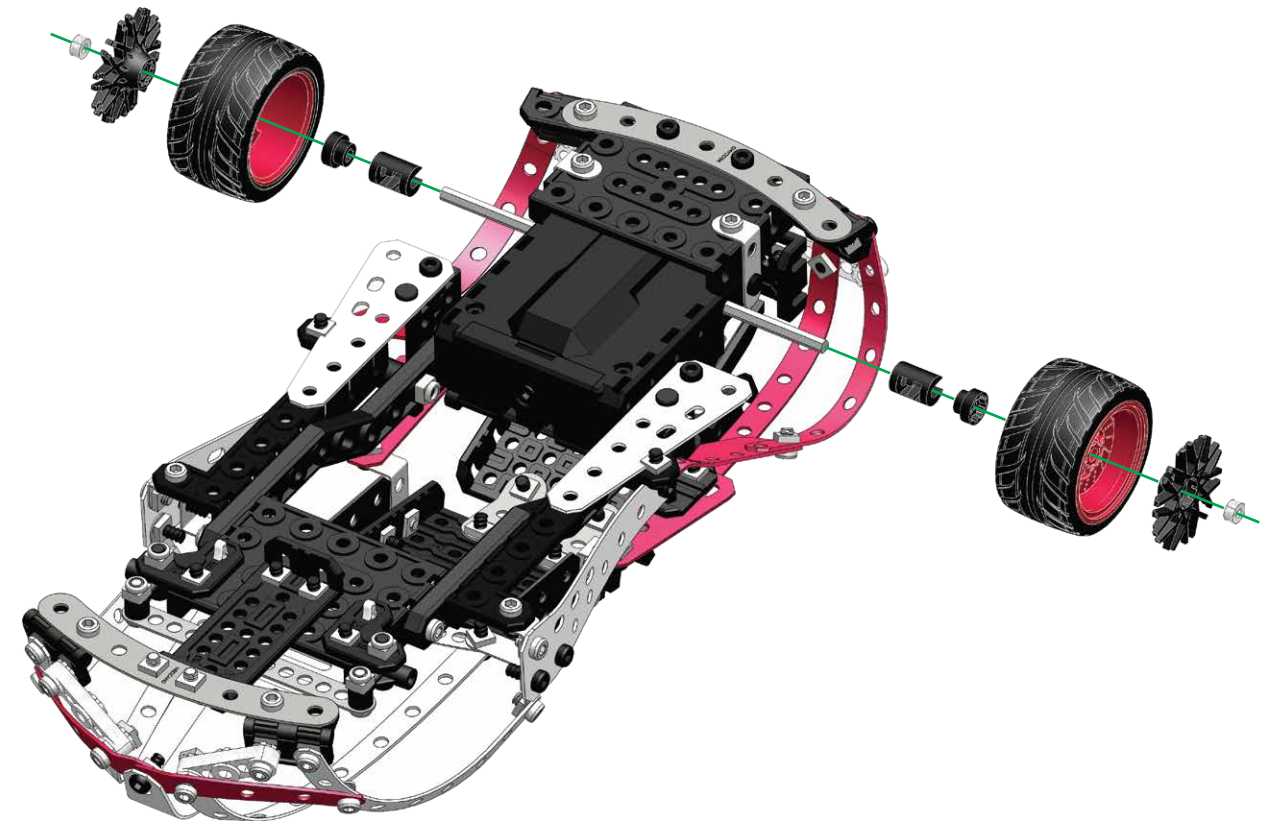
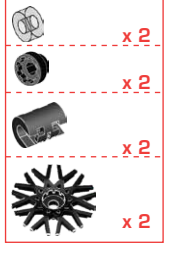
x2

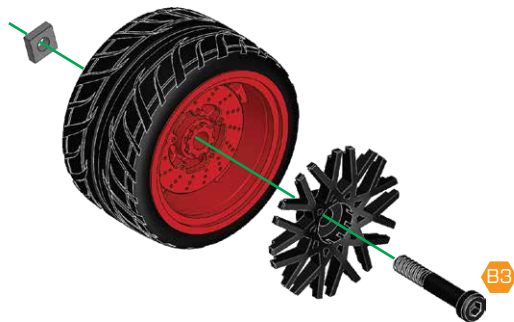
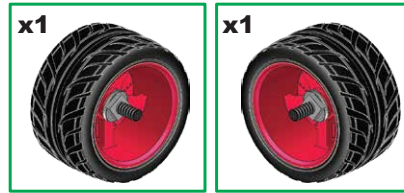
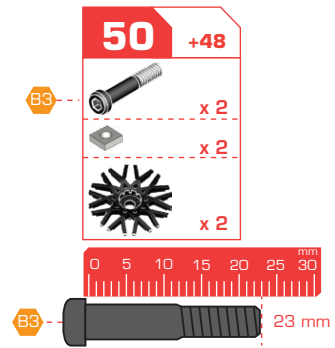


x2



49 47+48





51 49+50

