

20

- x 1
- x 1
- x 1
- x 1
- x 1

5.8 mm

21

- x 2
- x 2
- x 1
- x 1
- x 1
- x 1

5.8 mm

22

- x 2
- x 2
- x 2
- x 2
- x 1

5.8 mm

90°

1 **2**

23

- x 1
- x 1
- x 1
- x 1
- x 1

5.8 mm

24

- S1 x 2
- x 2
- x 2
- x 1

0 5 10 15 20 mm

S1 5.8 mm

25

- S1 x 2
- x 2
- x 1
- x 1
- x 1
- x 1

0 5 10 15 20 mm

S1 5.8 mm

26

- S1 x 2
- x 2
- x 2
- x 2
- x 2
- x 2

0 5 10 15 20 mm

S1 5.8 mm

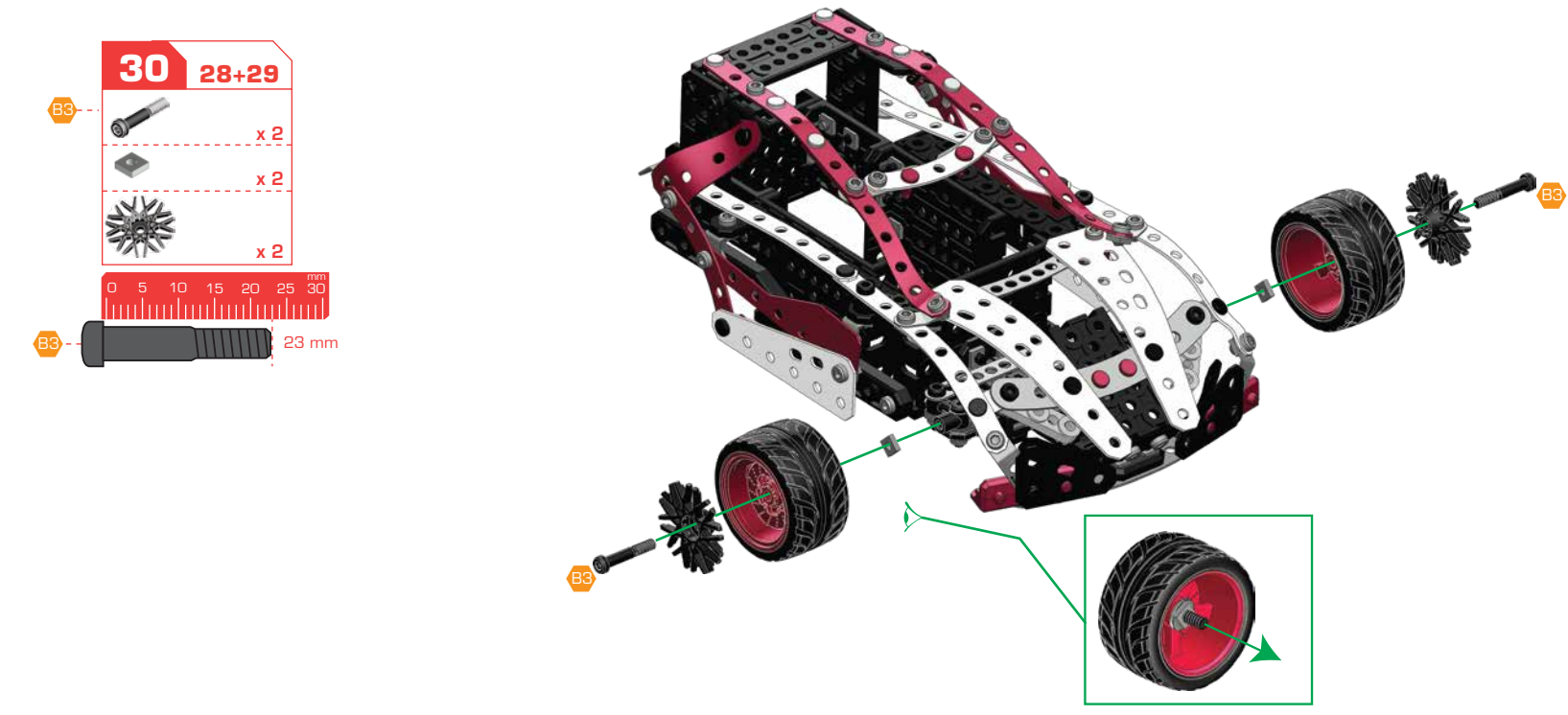
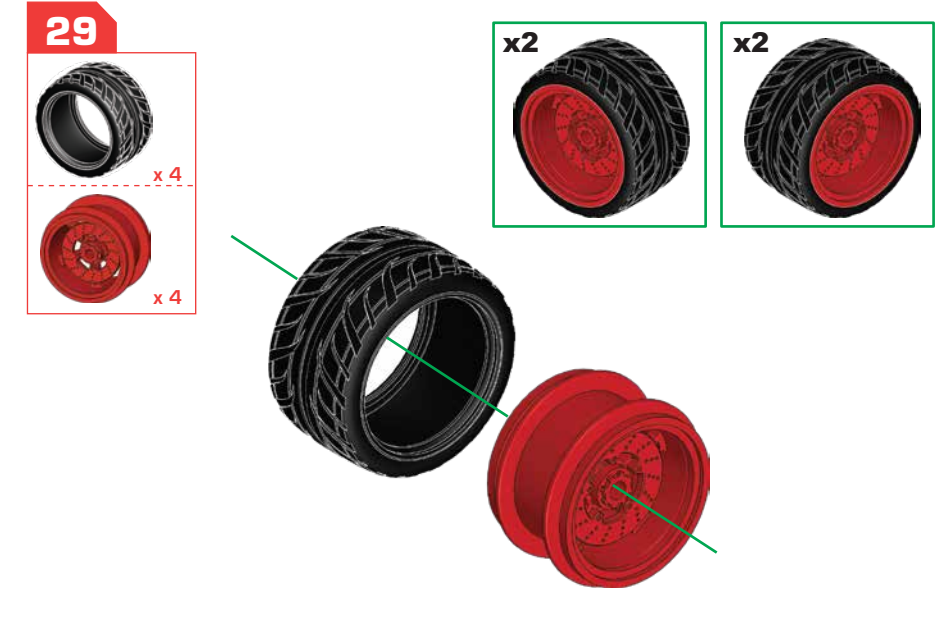
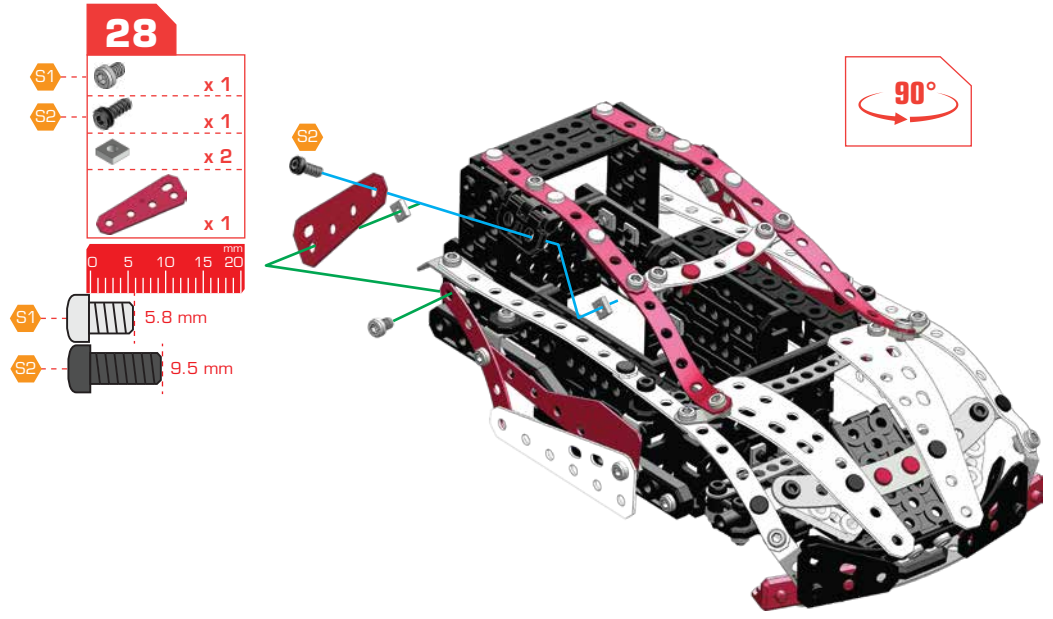
27

- S1 x 1
- S2 x 1
- x 2
- x 1

0 5 10 15 20 mm

S1 5.8 mm

S2 9.5 mm



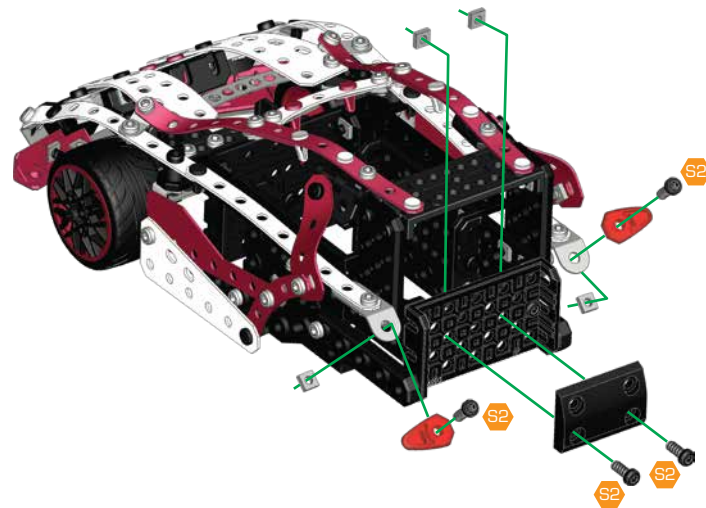
31

- x 4
- x 4
- x 1
- x 2

0 5 10 15 20 mm

9.5 mm

180°



32 **31+32**

- x 2
- x 2
- x 2
- x 2
- x 1

A238 1:1

