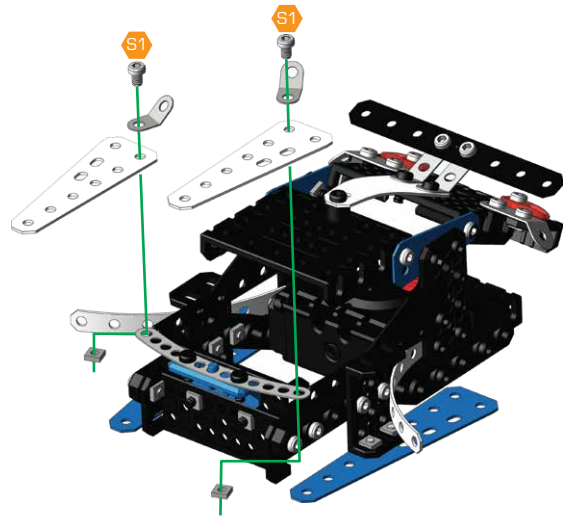
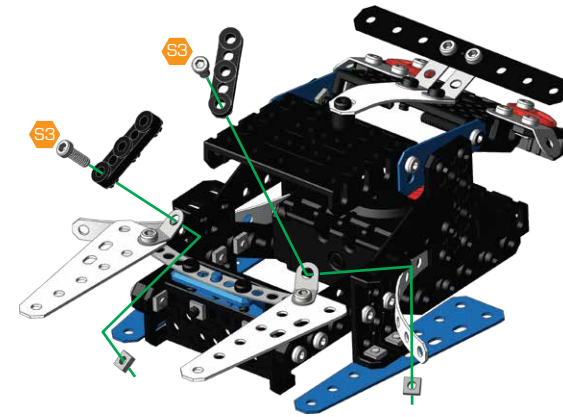


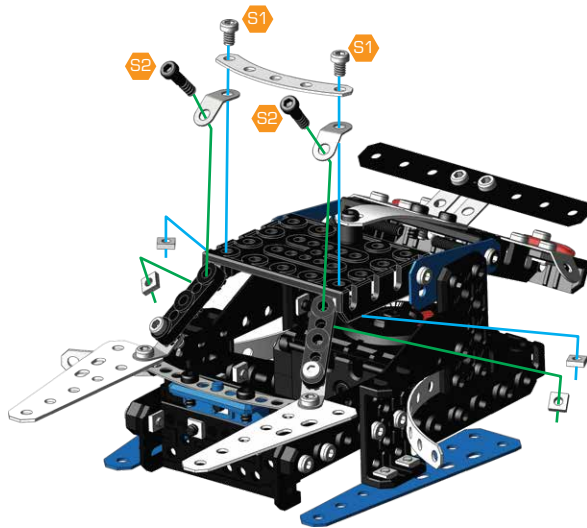
- 19**
- S1 x 2
 - x 2
 - x 2
 - x 2
- 0 5 10 mm
- S1 5.8 mm



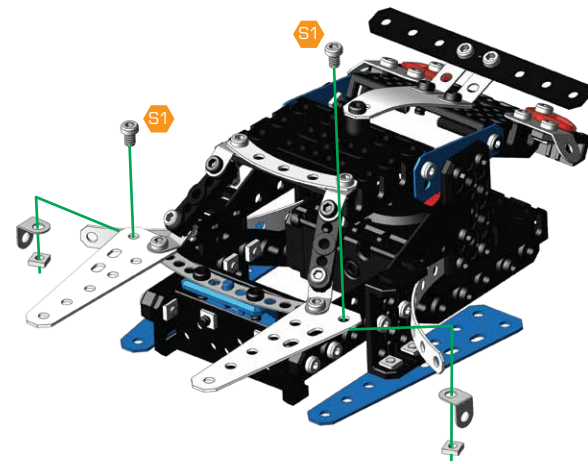
- 20**
- S3 x 2
 - x 2
 - x 2
- 0 5 10 mm
- S3 12 mm



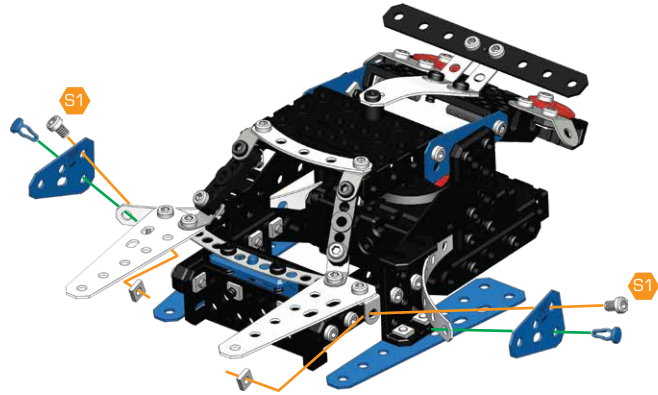
- 21**
- S1 x 2
 - S2 x 2
 - x 4
 - x 2
 - x 1
- 0 5 10 15 20 mm
- S1 5.8 mm
- S2 9.5 mm



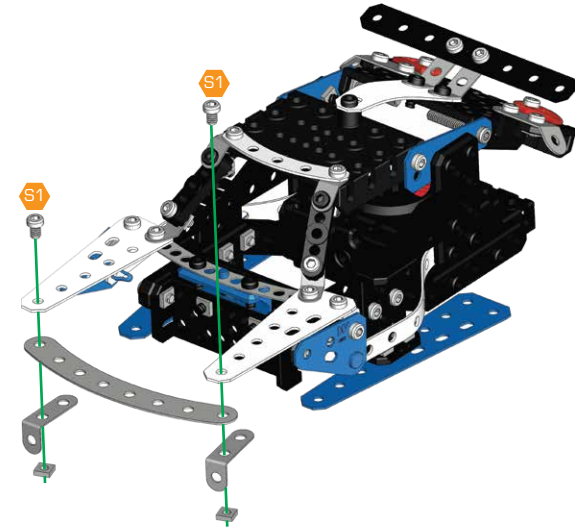
- 22**
- S1 x 2
 - x 2
 - x 2
- 0 5 10 mm
- S1 5.8 mm



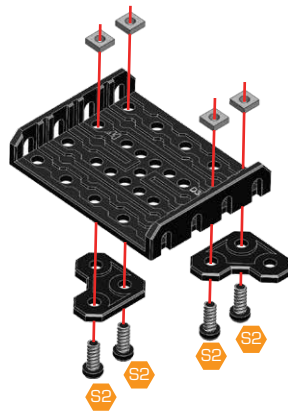
- 23**
- S1 x 2
 - x 2
 - x 2
 - x 2
- 0 5 10 15 20 mm
- S1 5.8 mm



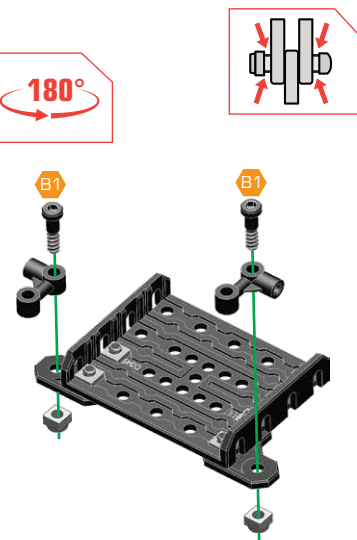
- 24**
- S1 x 2
 - x 2
 - x 2
 - x 1
- 0 5 10 15 20 mm
- S1 5.8 mm



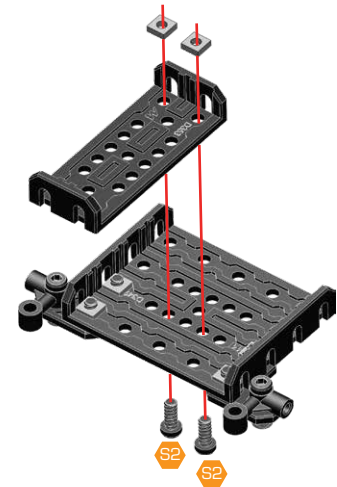
- 25**
- S2 x 4
 - x 4
 - x 2
 - x 1
- 0 5 10 15 20 mm
- S2 9.5 mm

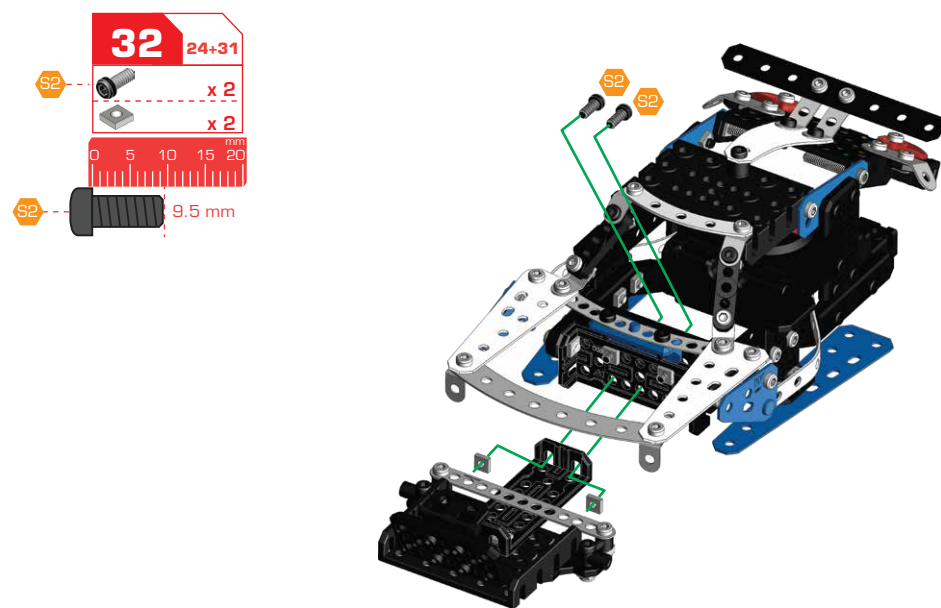
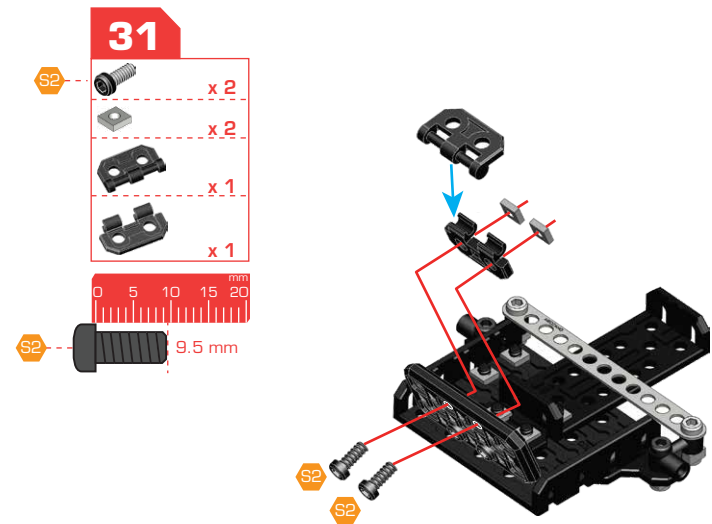
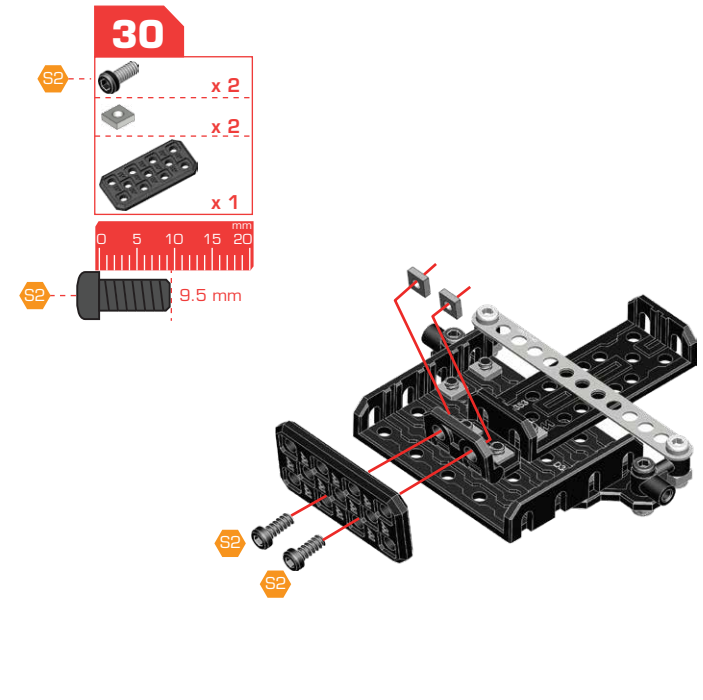
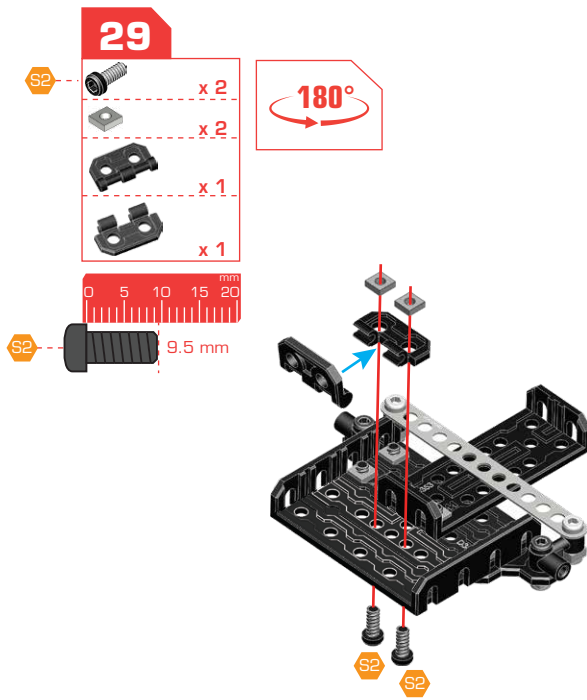
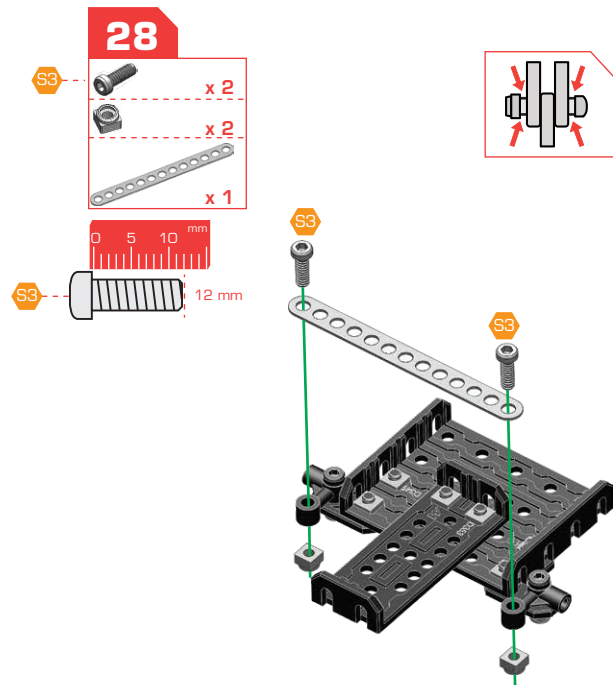


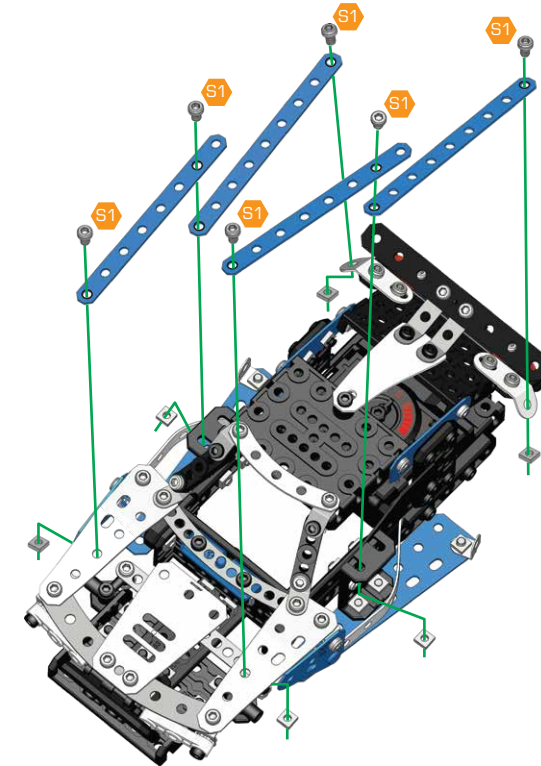
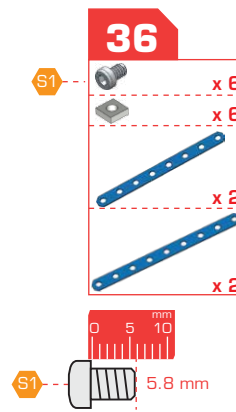
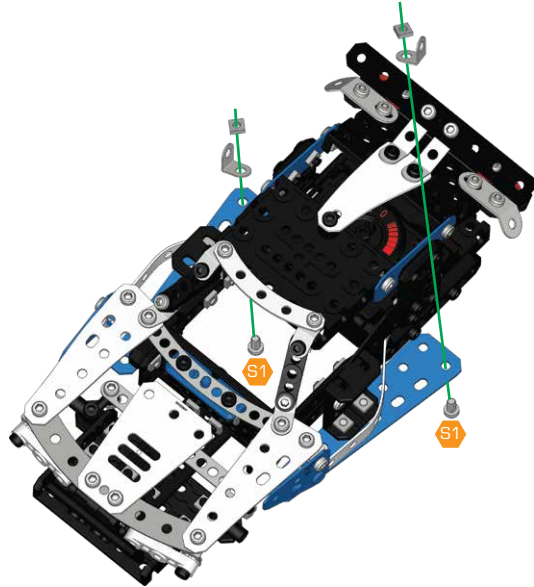
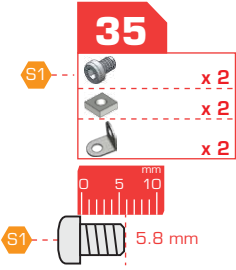
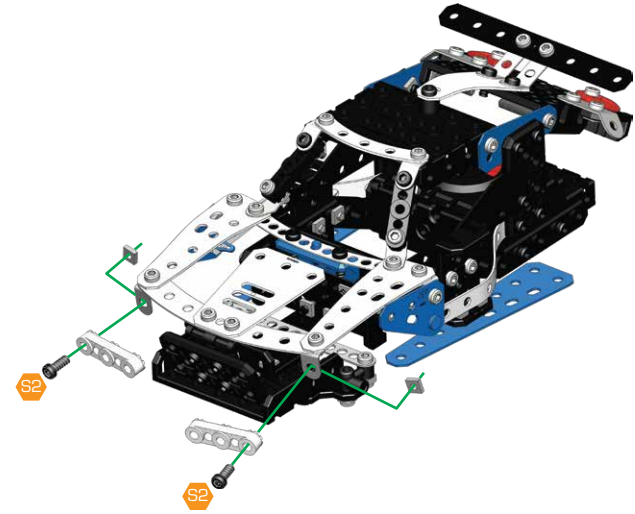
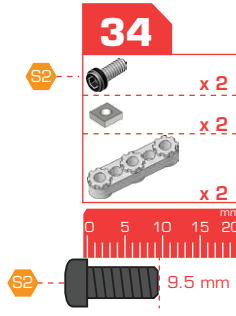
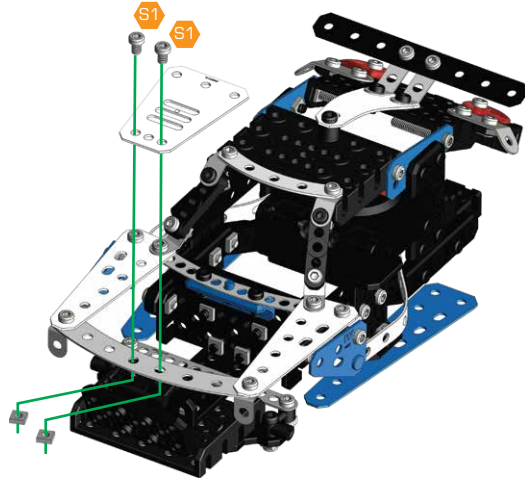
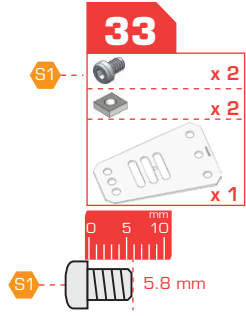
- 26**
- B1 x 2
 - x 2
 - x 2
- 0 5 10 15 20 mm
- B1 14.7 mm
- 180°



- 27**
- S2 x 2
 - x 2
 - x 1
- 0 5 10 15 20 mm
- S2 9.5 mm







37

- x 1
- x 1
- x 1
- x 1

5.8 mm

38

- x 1
- x 1
- x 1
- x 1

90°

5.8 mm

39

- x 4
- x 4
- x 4

x2

x2

40 38+39

- x 2
- x 2
- x 2
- x 1

90°

0 5 10 15 20 25 30 35 40 45 50 55 60 65 70 75 80 85 90 95 100 105 110 115 120 125 130 135 mm

133.4 mm

41 39+40

- x 2
- x 2
- x 4

0 5 10 15 20 25 30 mm

23 mm

