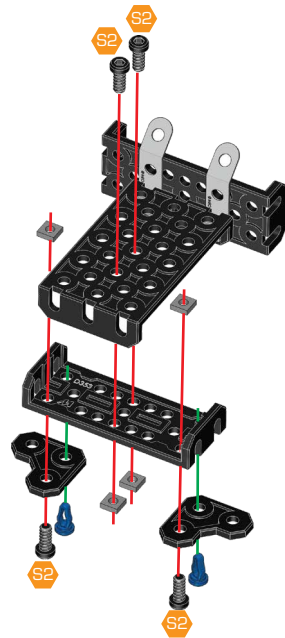
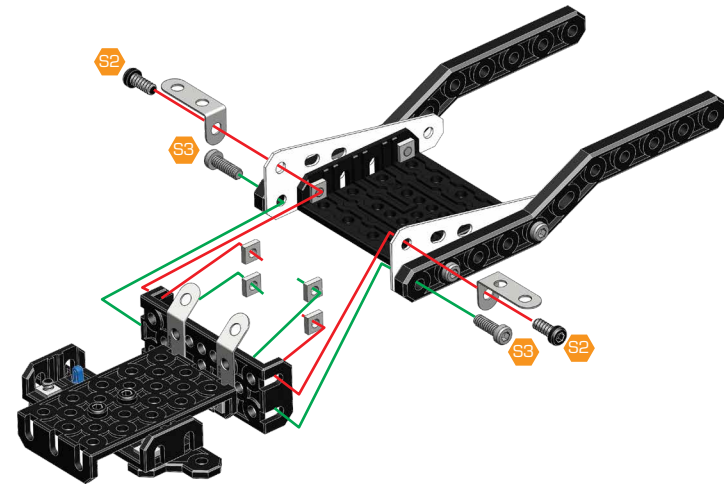


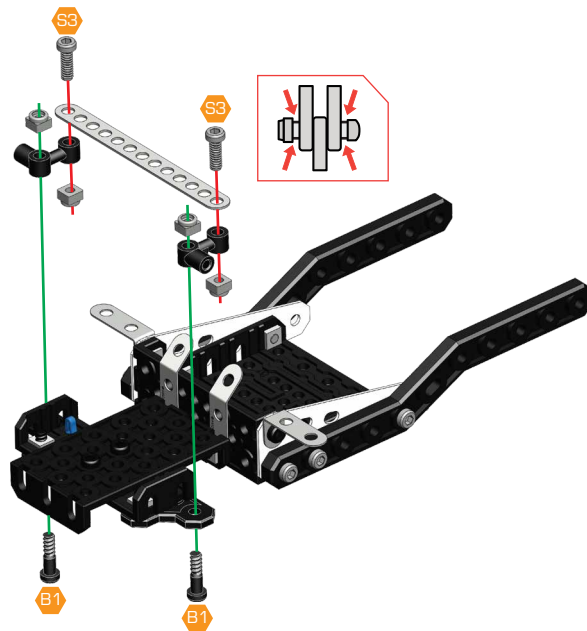
- 5**
- S2 x 4
 - x 4
 - x 2
 - x 2
 - x 1
- 0 5 10 15 20 mm
- S2 9.5 mm



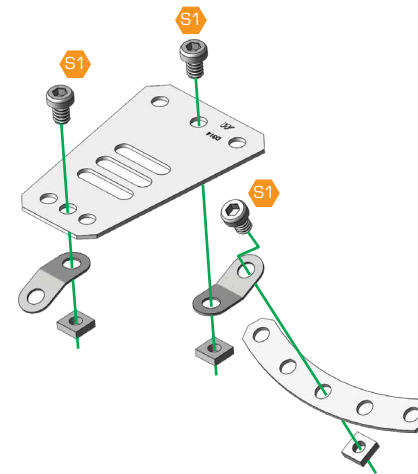
- 6** 3+5
- S2 x 2
 - S3 x 2
 - x 4
 - x 2
- 0 5 10 mm
- S2 9.5 mm
- S3 12 mm

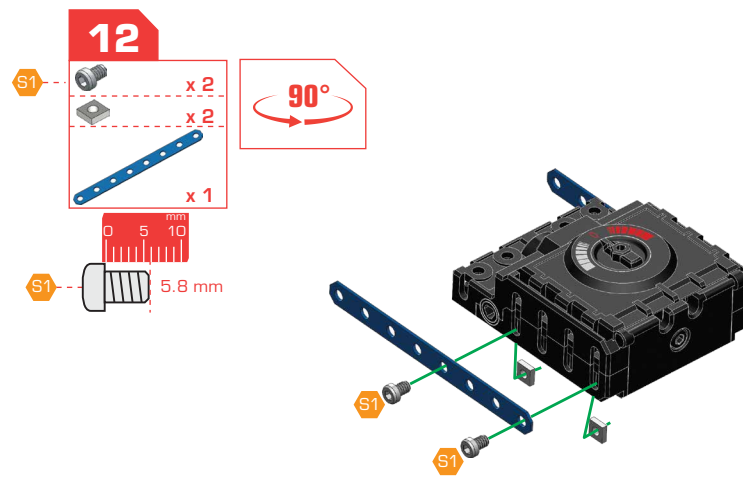
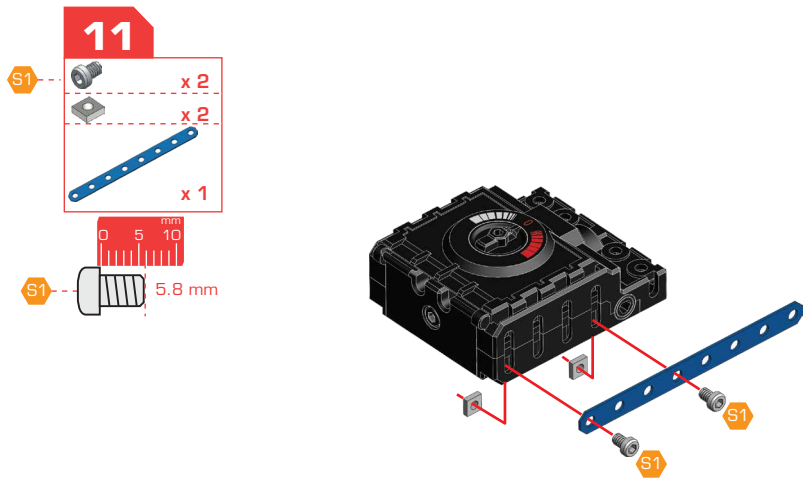
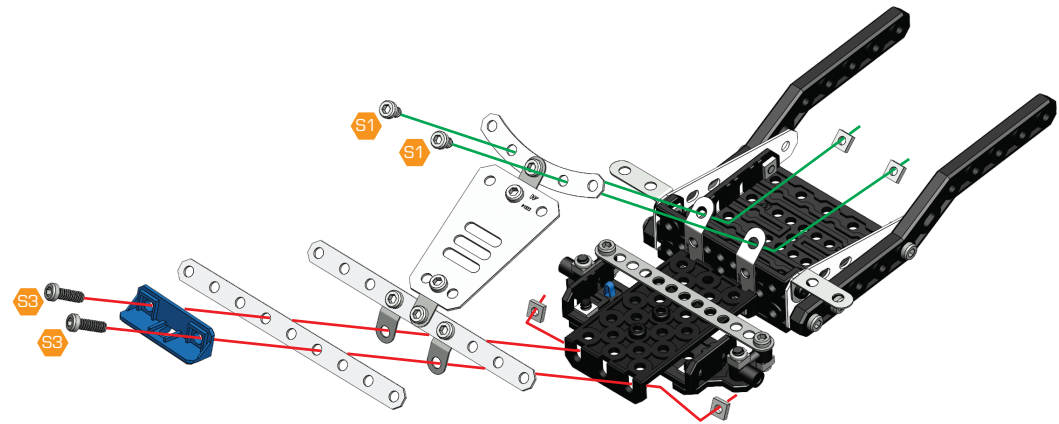
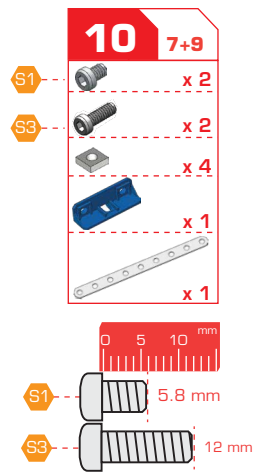
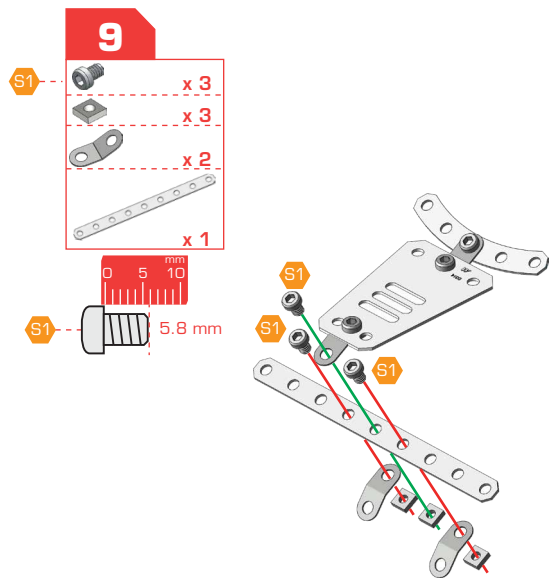


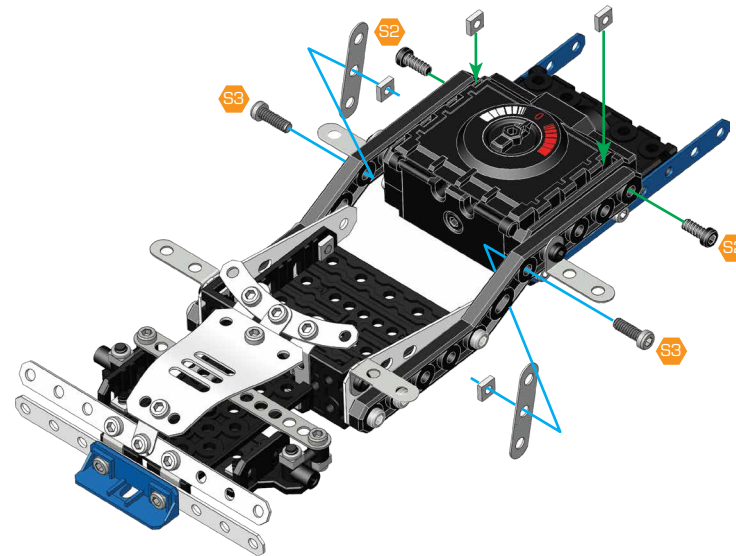
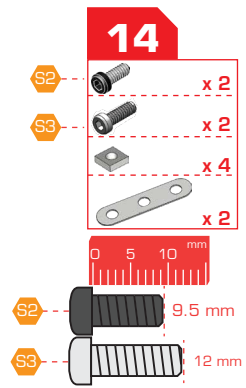
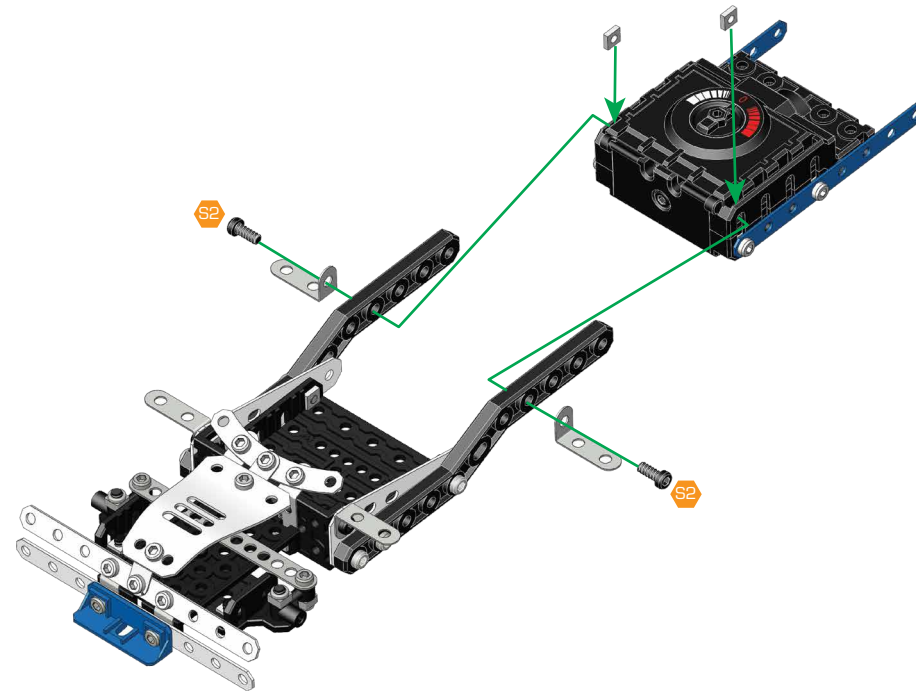
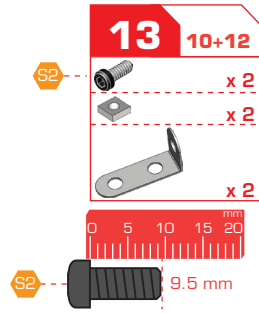
- 7**
- S3 x 2
 - B1 x 2
 - x 4
 - x 2
 - x 1
- 0 5 10 15 20 mm
- S3 12 mm
- B1 14.7 mm

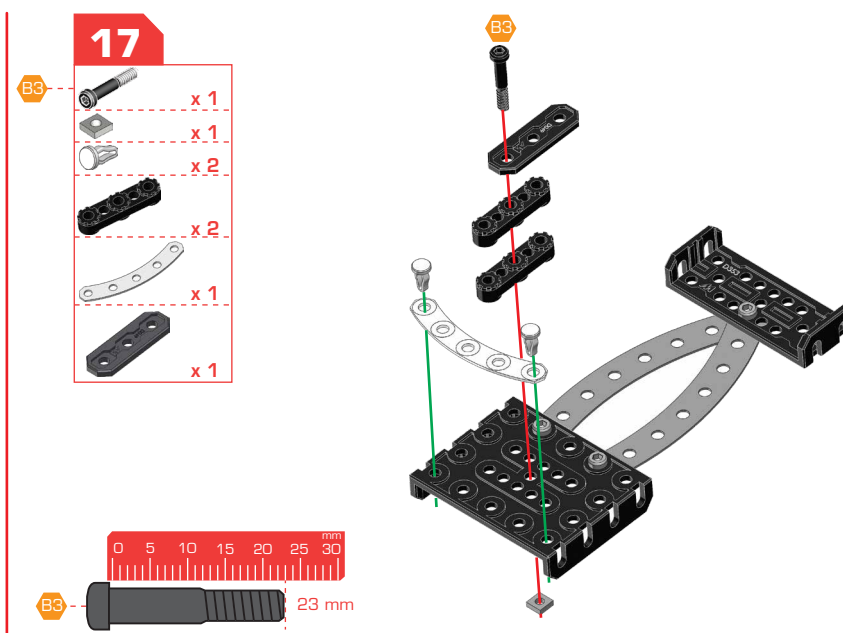
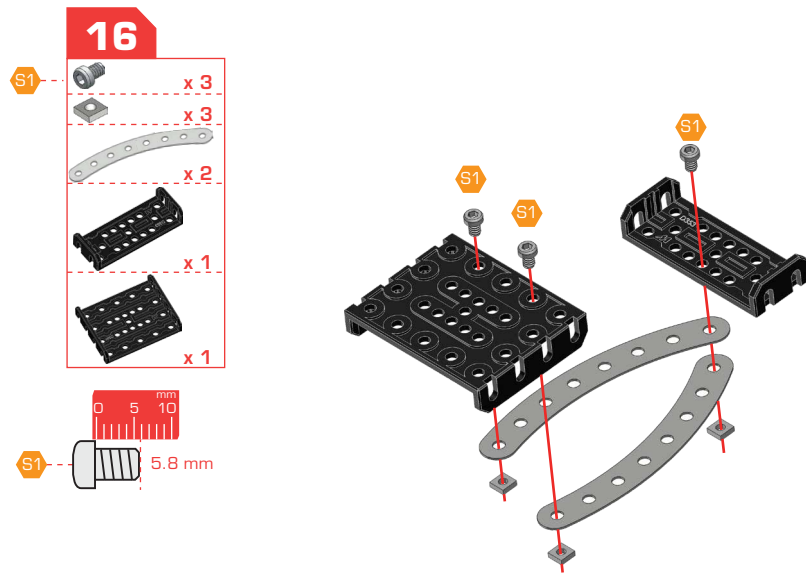
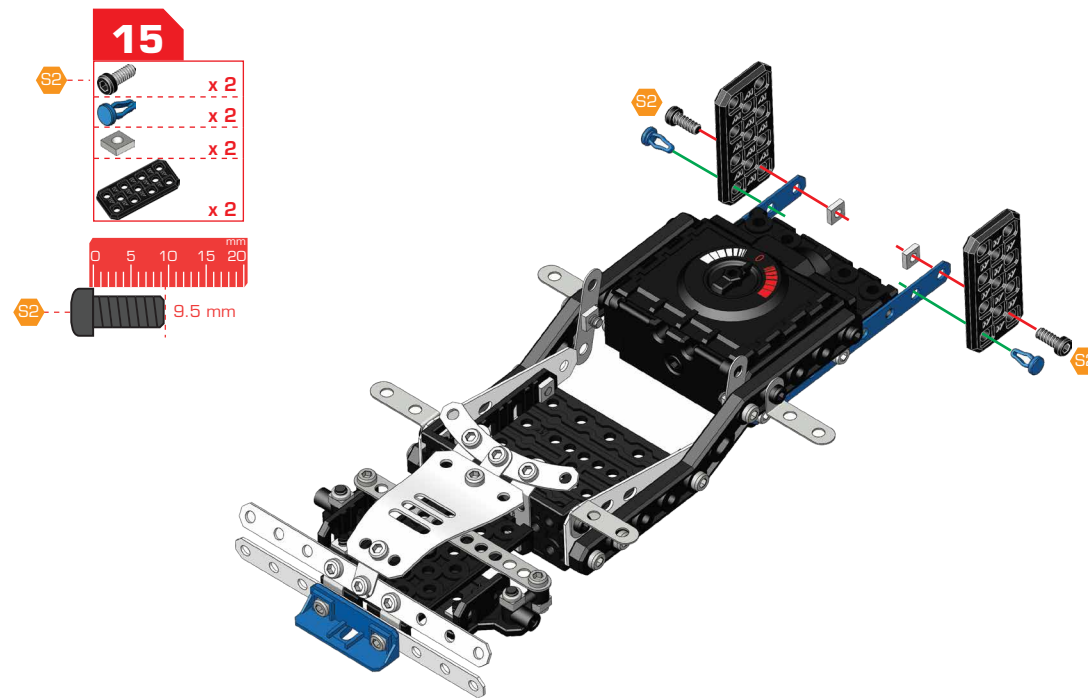


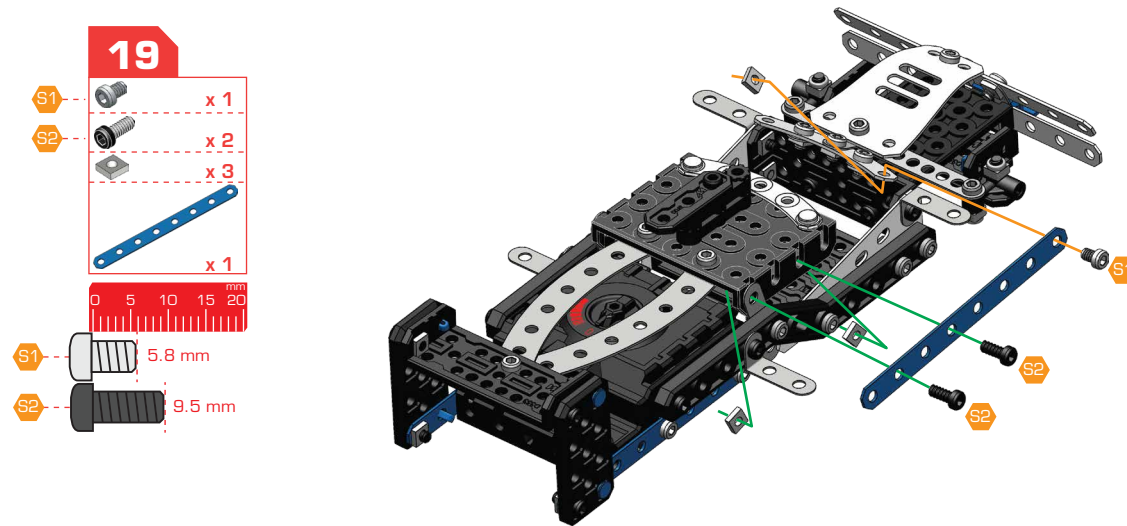
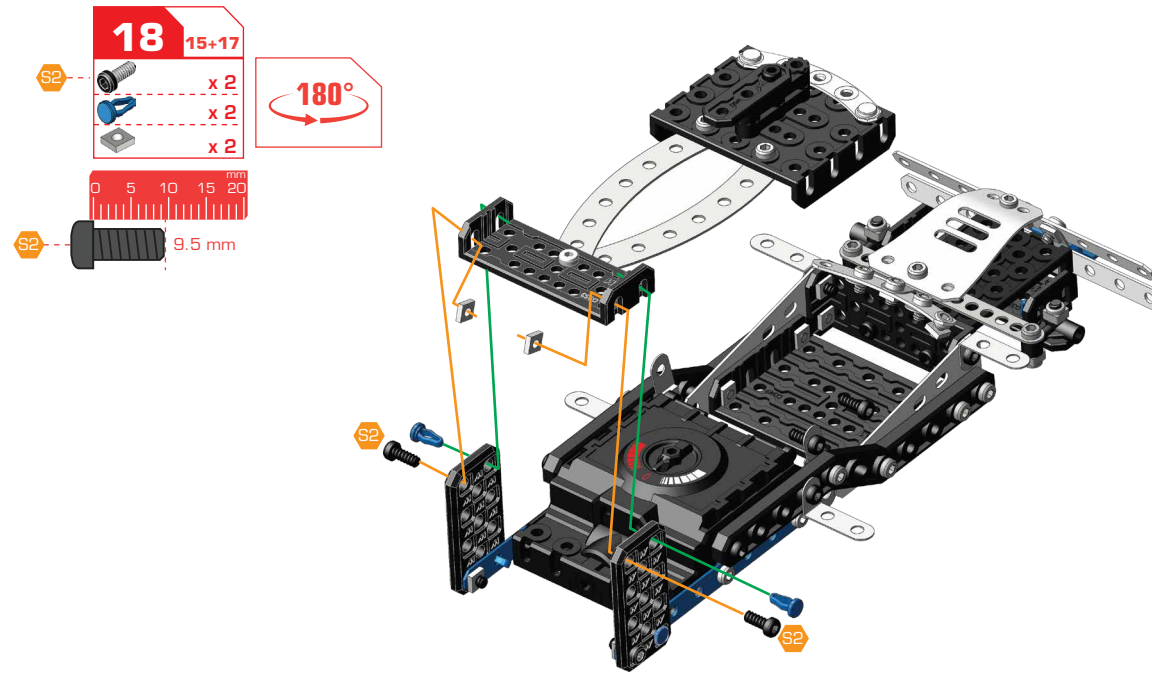
- 8**
- S1 x 3
 - x 3
 - x 2
 - x 1
 - x 1
- 0 5 10 mm
- S1 5.8 mm

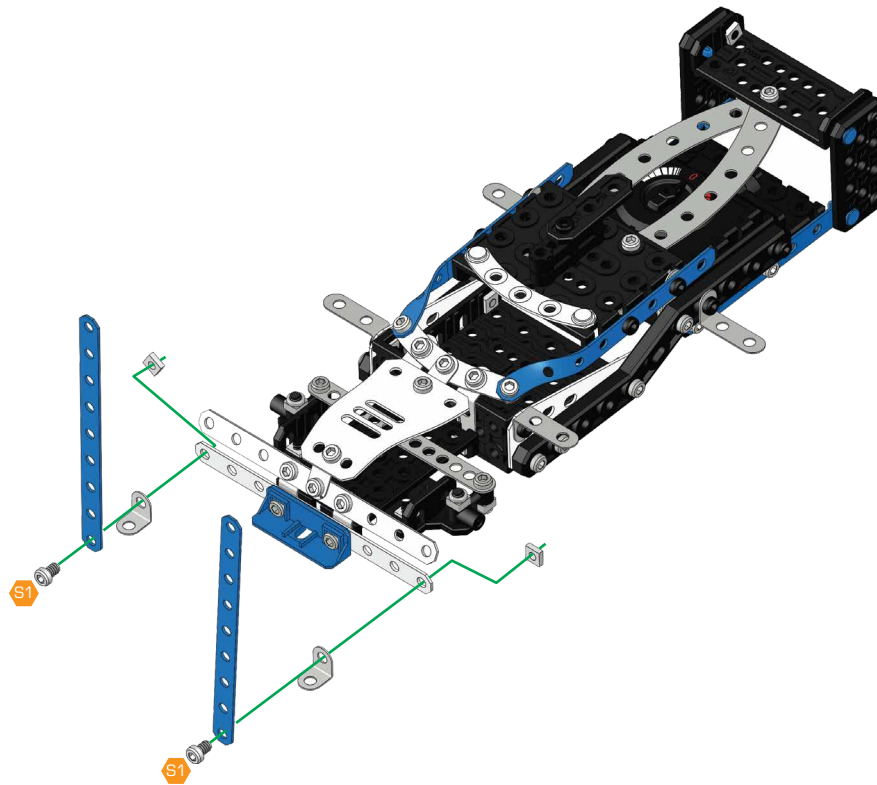
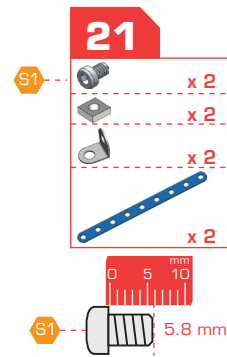
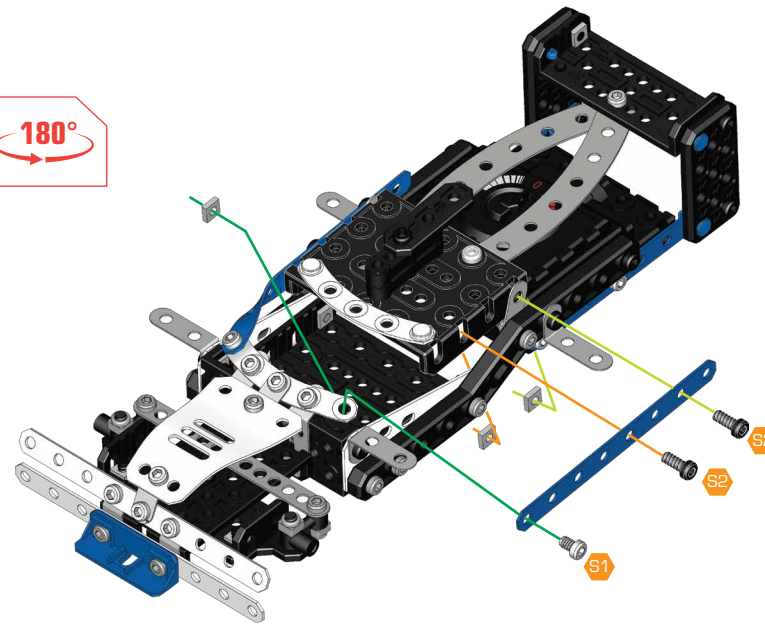
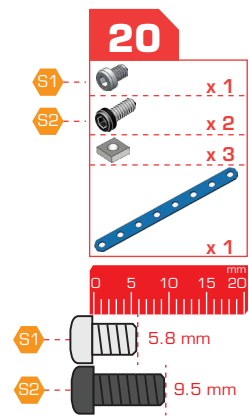










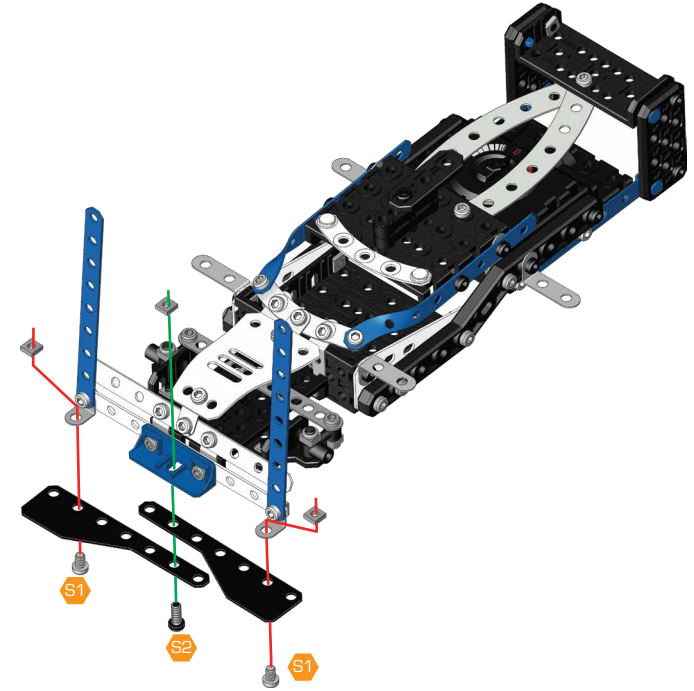


22

- S1 - x 2
- S2 - x 1
- x 3
- x 2

S1 - 5.8 mm

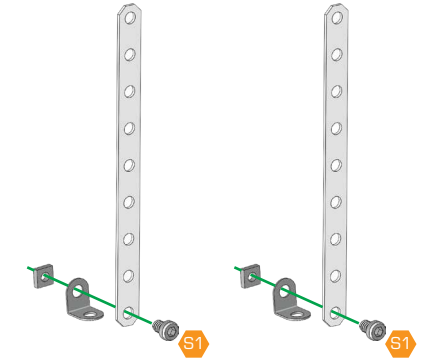
S2 - 9.5 mm



23

- S1 - x 2
- x 2
- x 2
- x 2

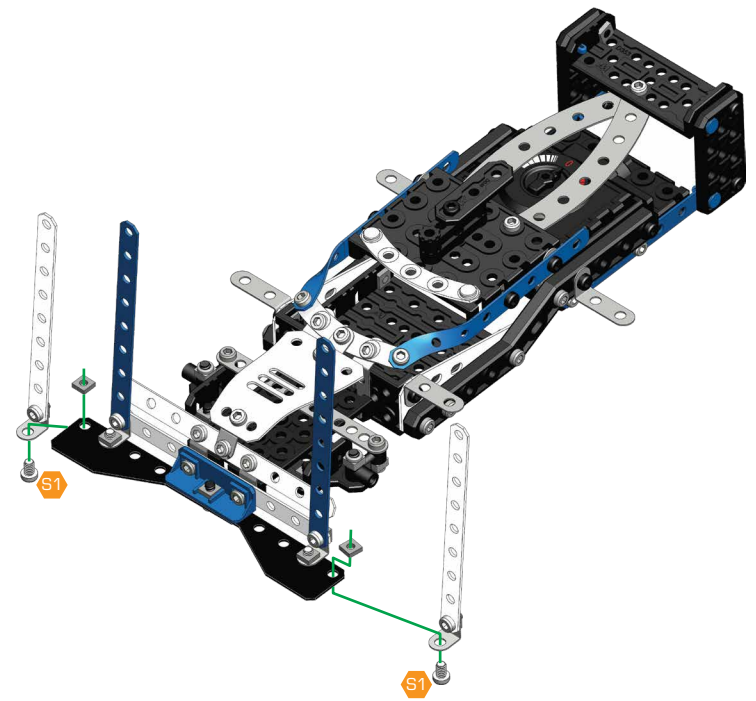
S1 - 5.8 mm

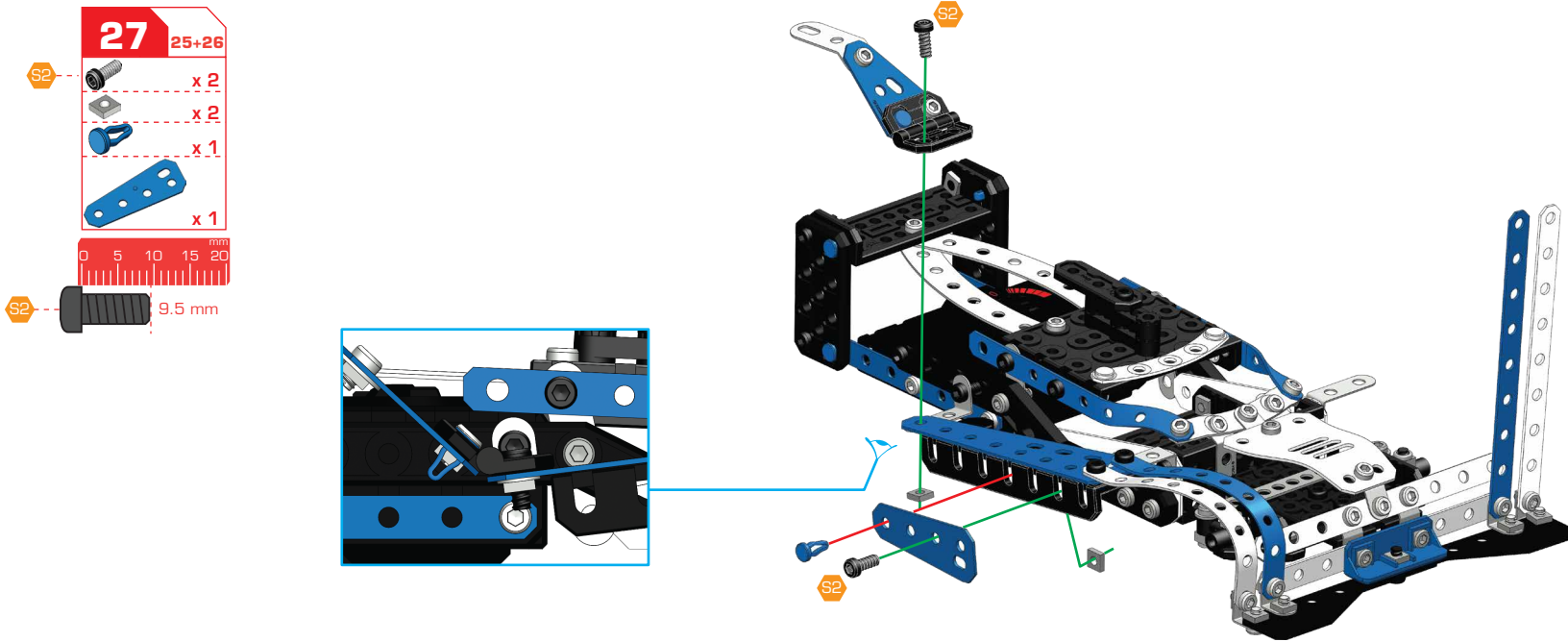
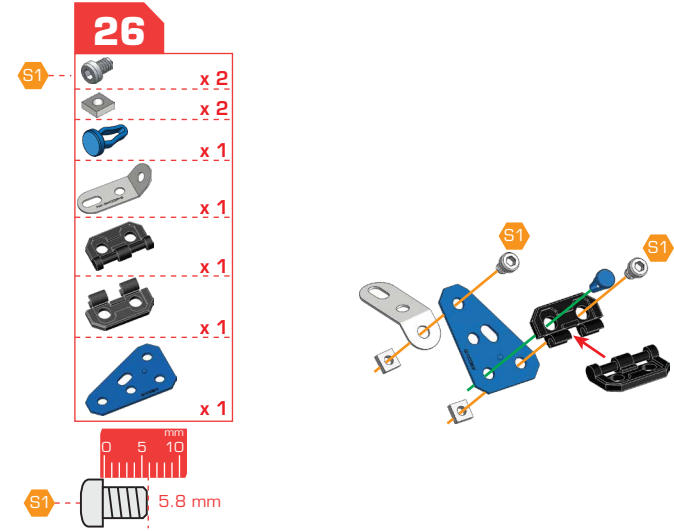
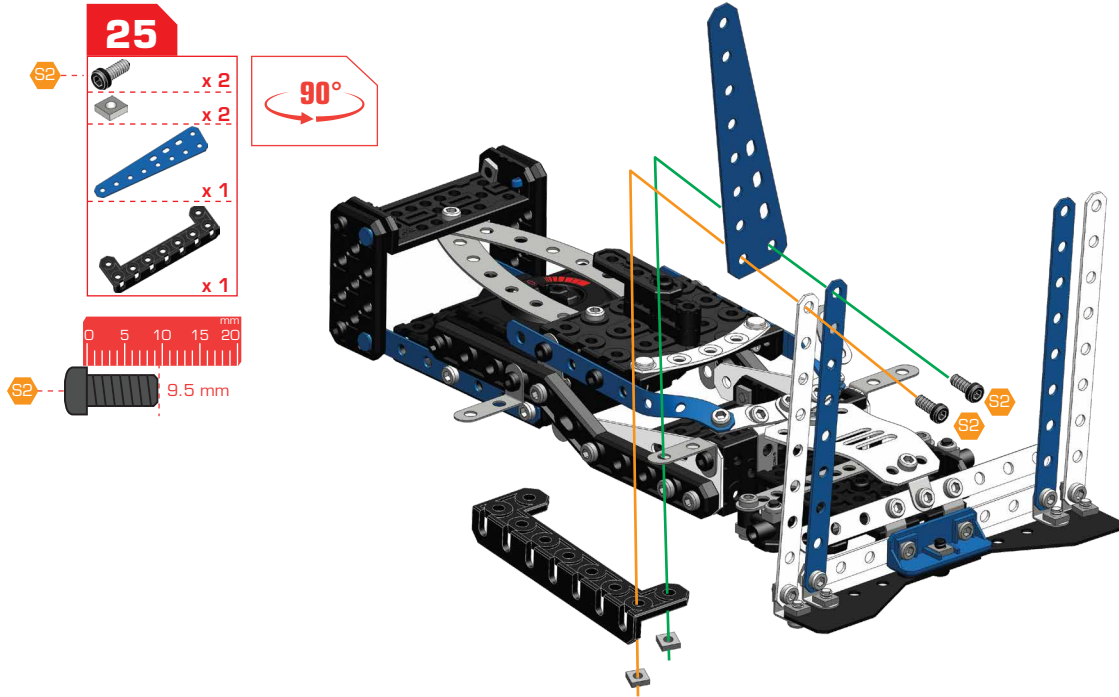


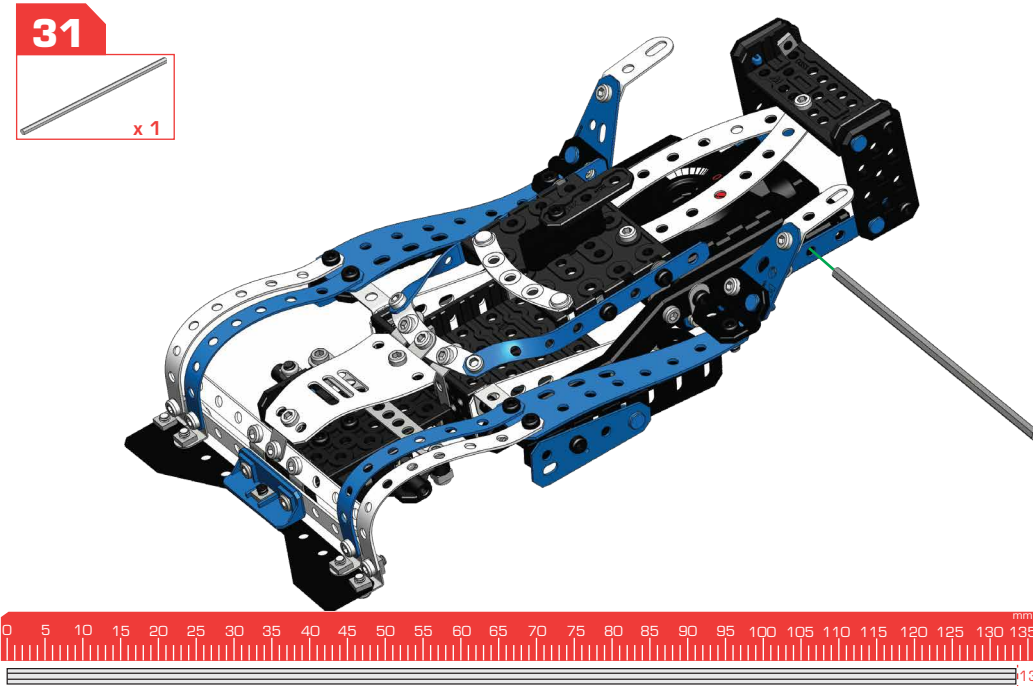
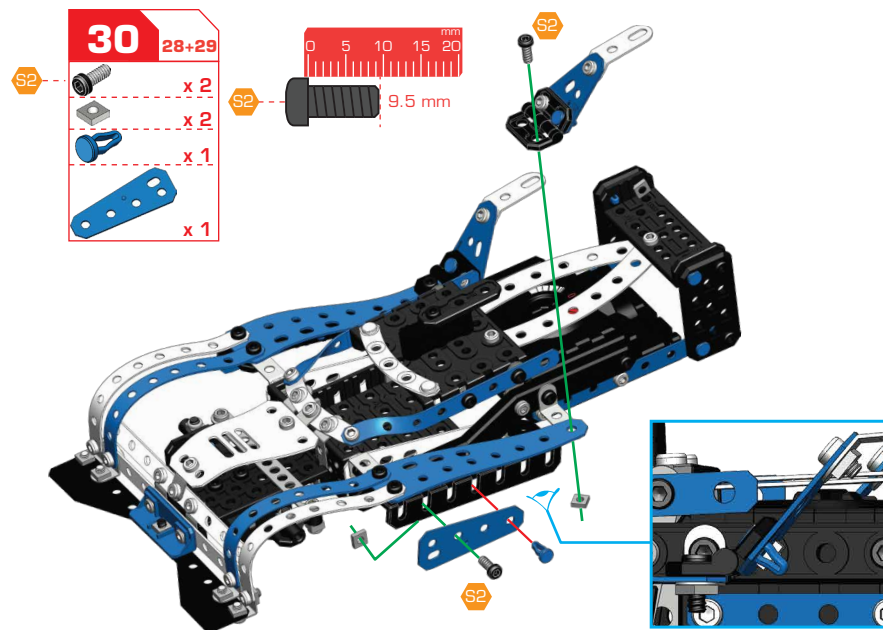
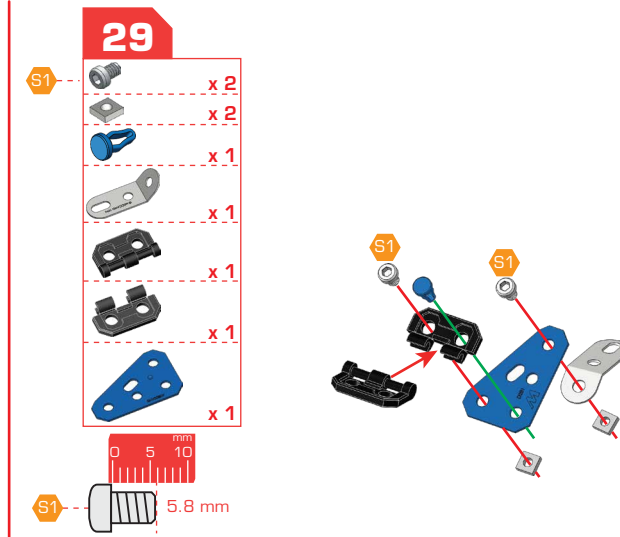
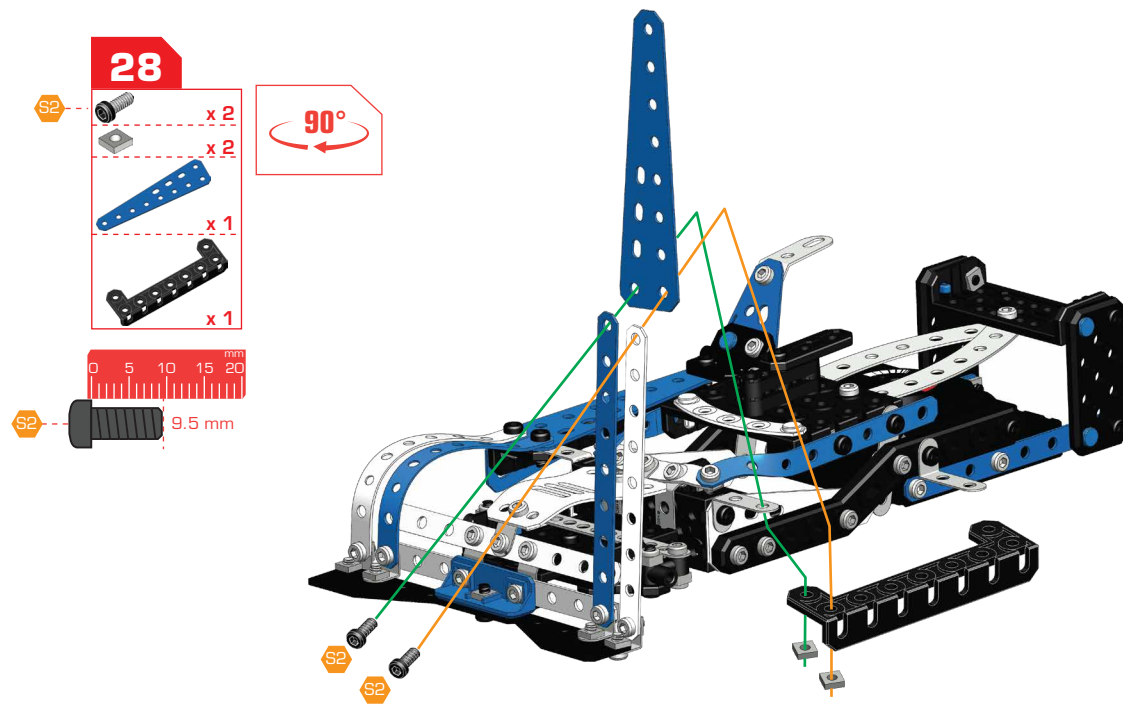
24 22+23

- S1 - x 2
- x 2

S1 - 5.8 mm







32



x2

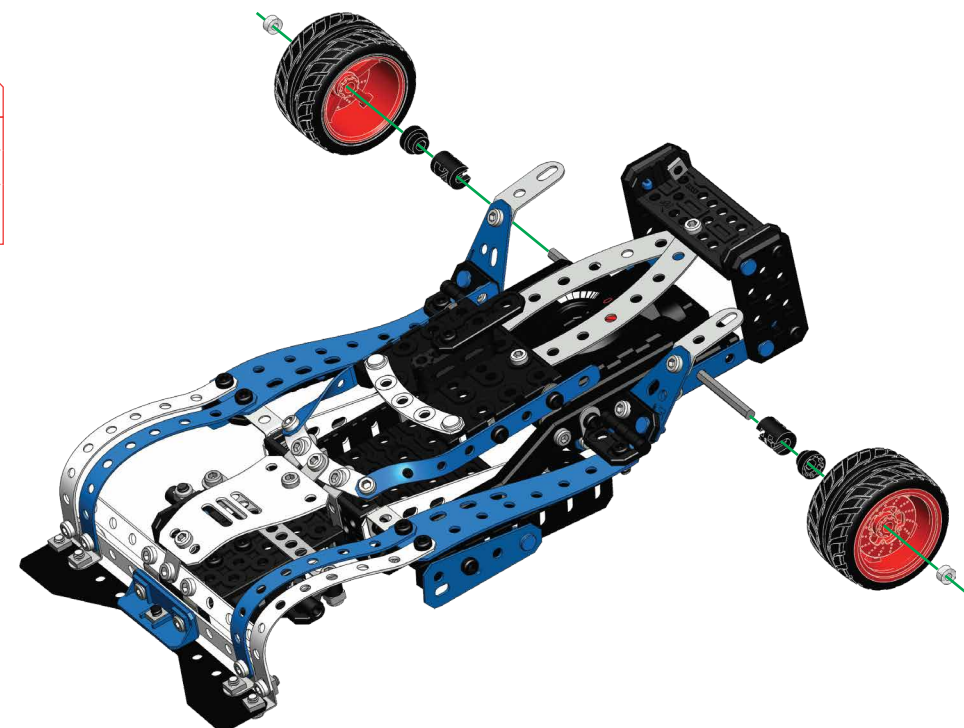
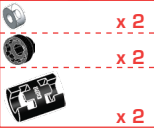


x2



33

31+32



34

32+33

