

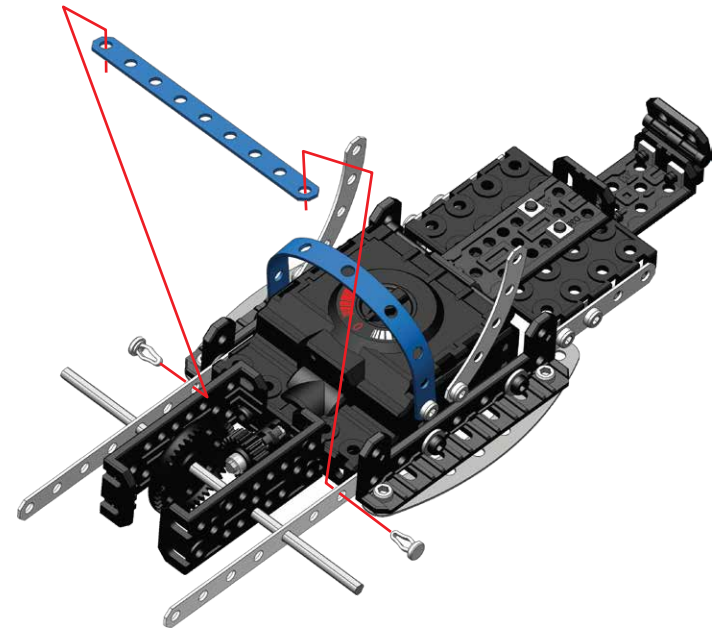








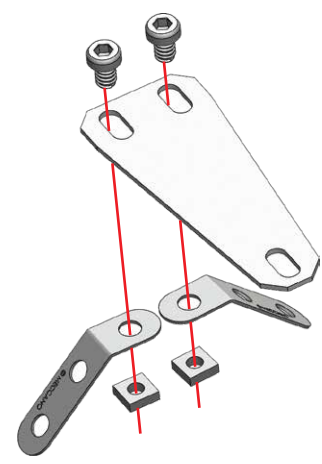
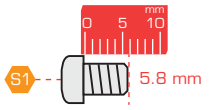
**15**

-  x 2
-  x 1







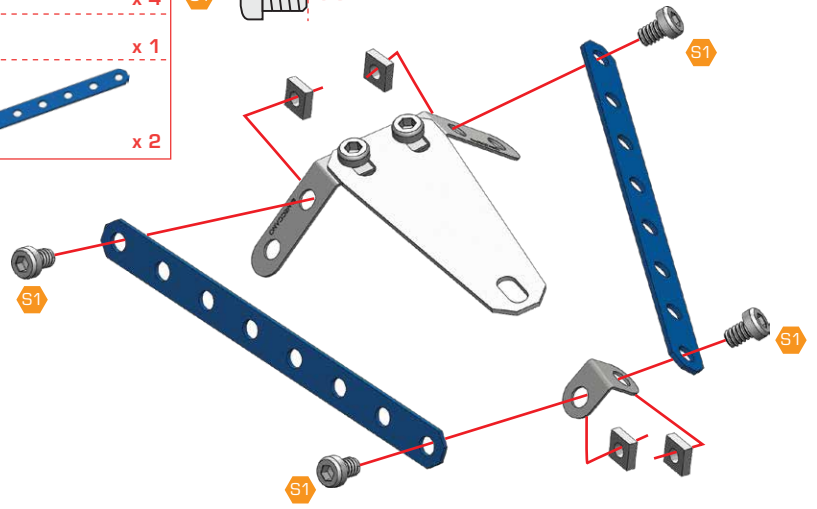
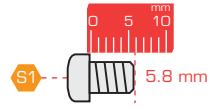
**16**

-  x 2
-  x 2
-  x 2
-  x 1



**17**

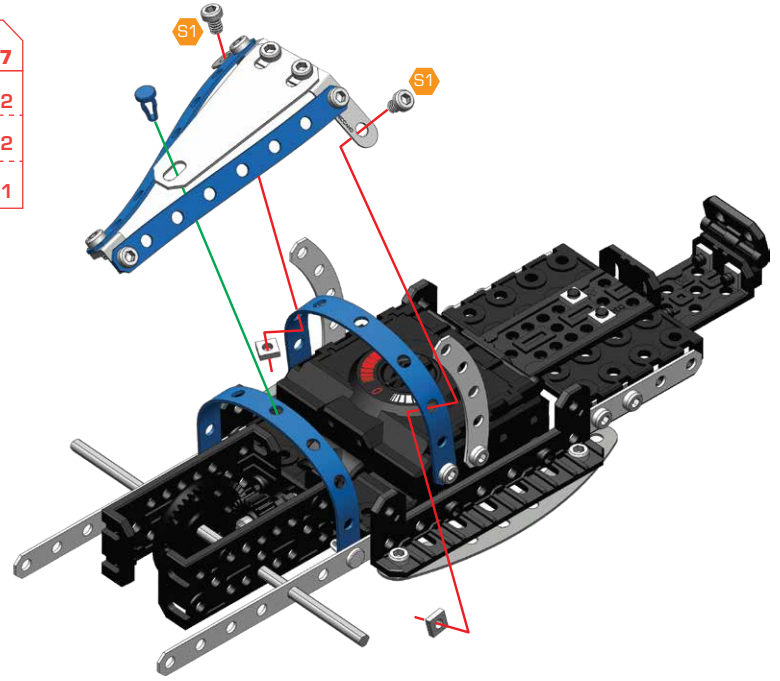
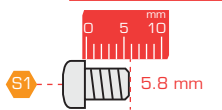
-  x 4
-  x 4
-  x 1
-  x 2

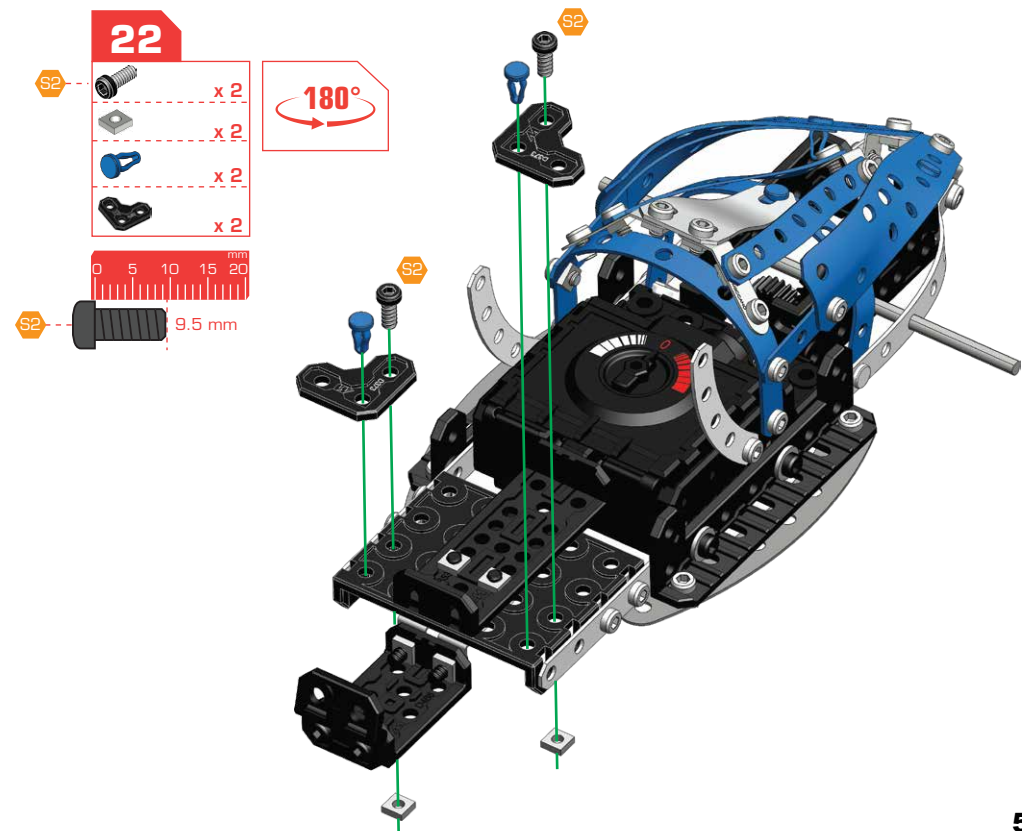
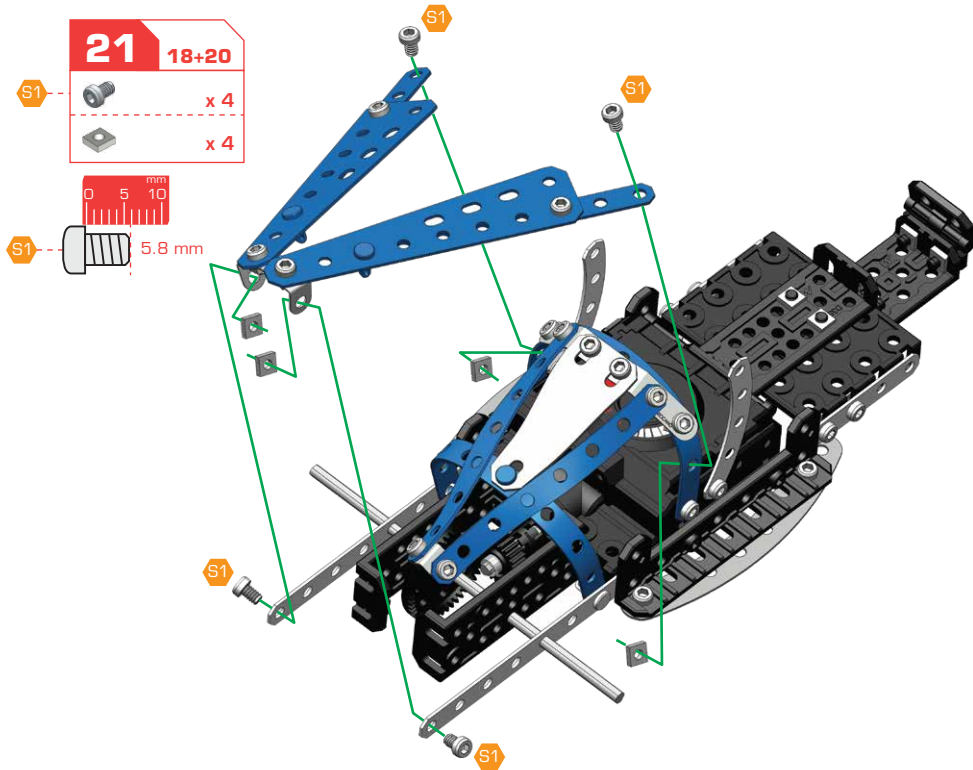
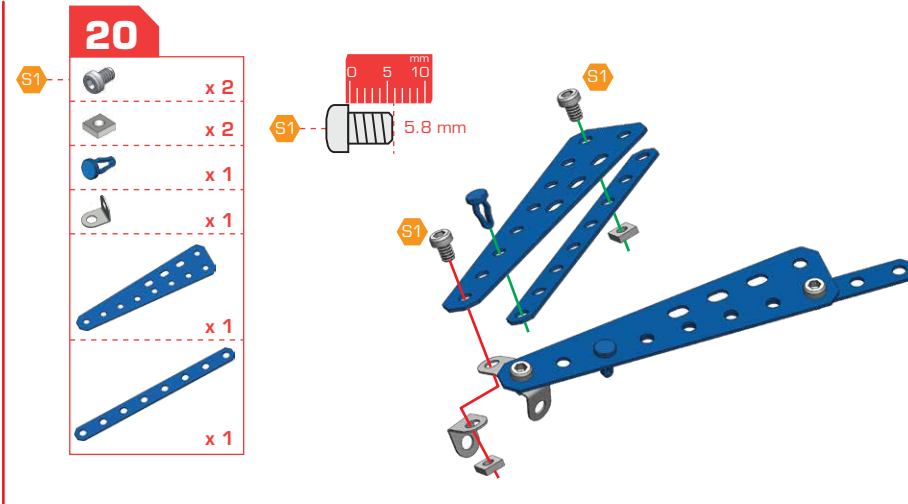
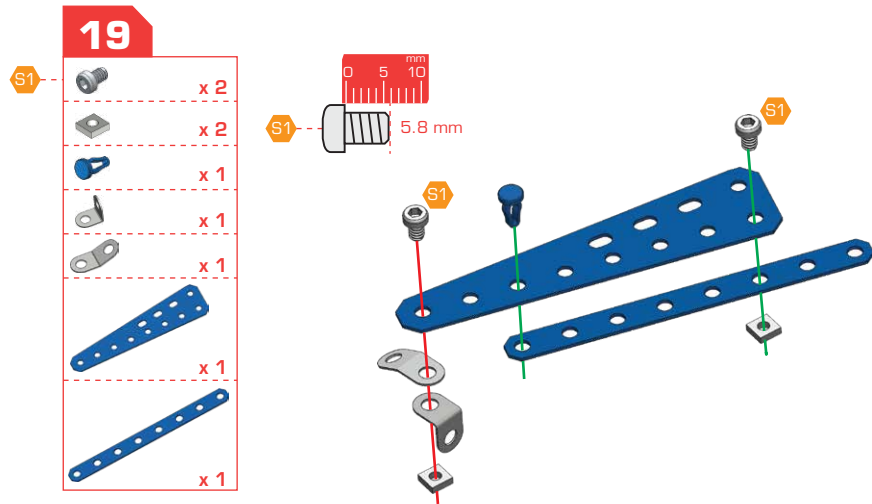


**18**

15+17

-  x 2
-  x 2
-  x 1





### 23

- B1 x 2
- S3 x 2
- x 4
- x 2
- x 1

mm  
0 5 10 15 20

B1 14.7 mm

S3 12 mm

### 24

- S1 x 2
- x 2
- x 2
- x 2

mm  
0 5 10

S1 5.8 mm

### 25

- S2 x 3
- x 3
- x 1
- x 1
- x 1
- x 1

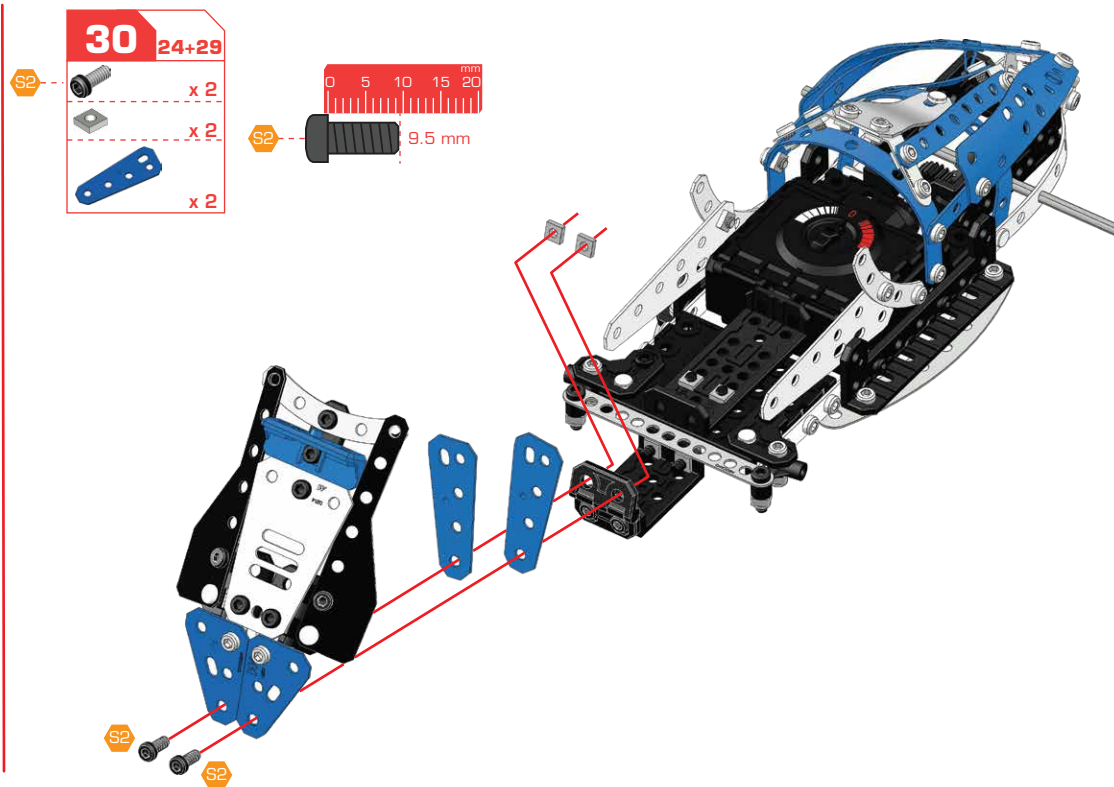
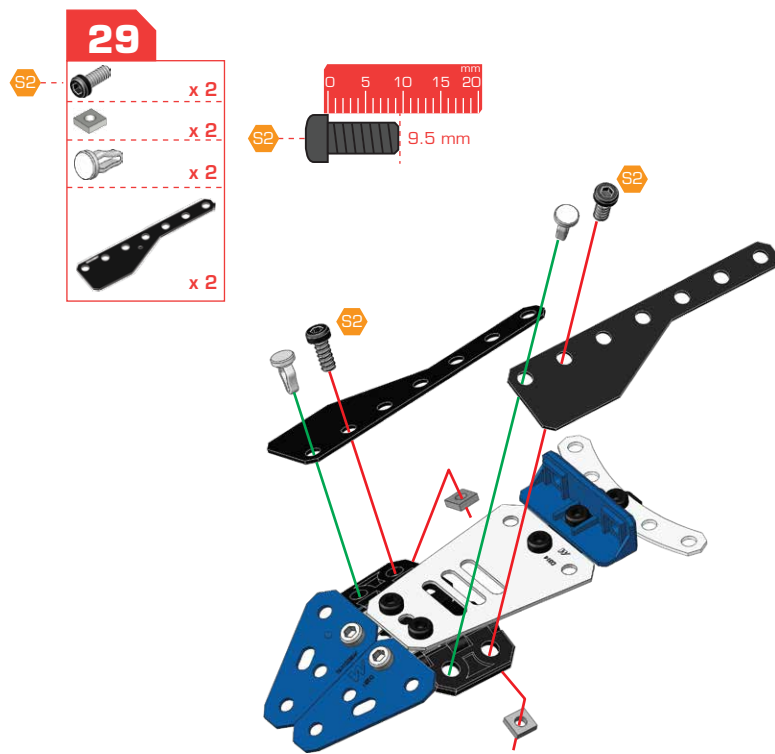
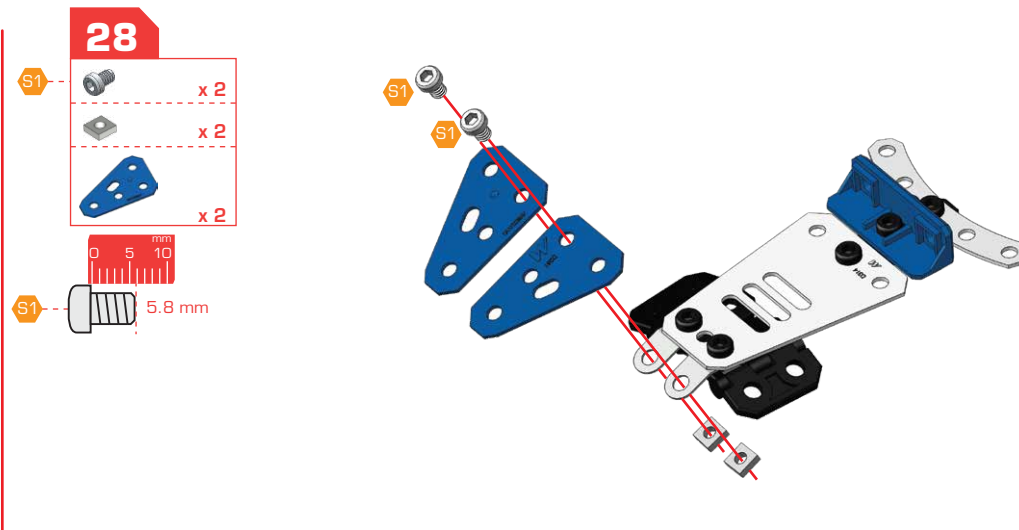
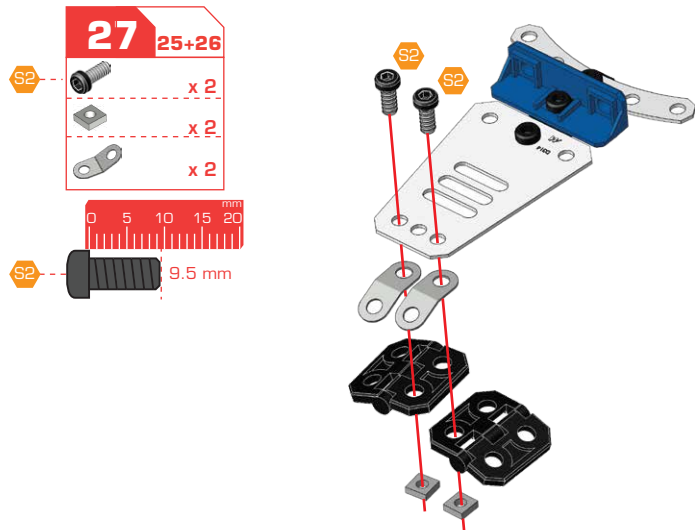
mm  
0 5 10 15 20

S2 9.5 mm

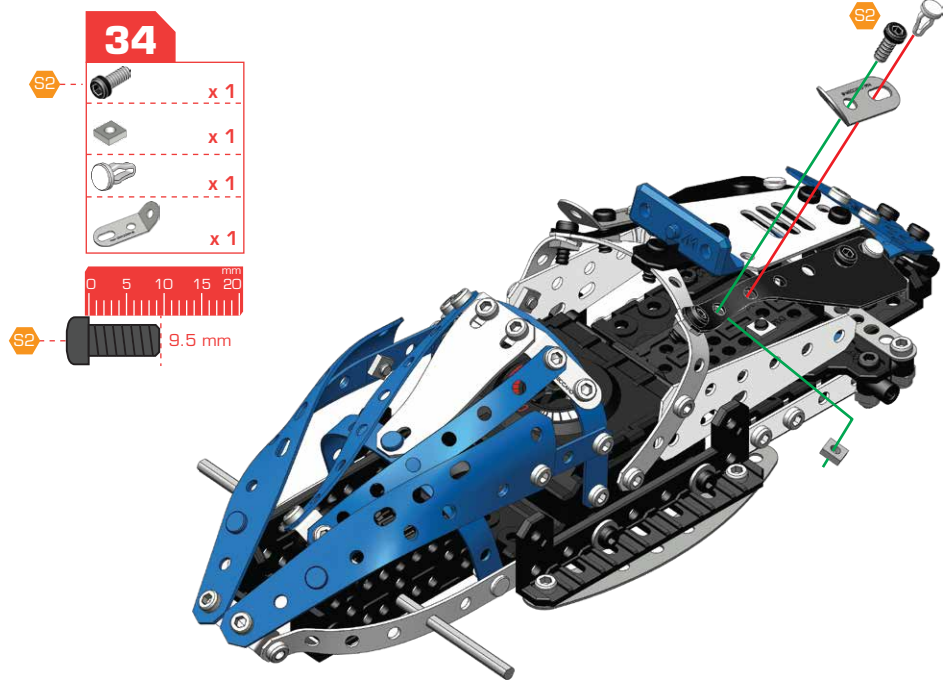
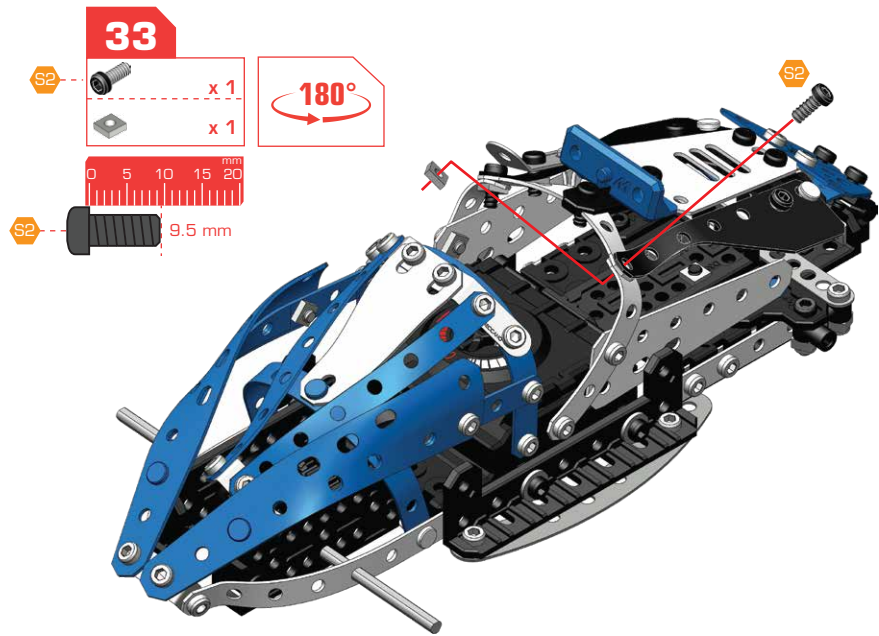
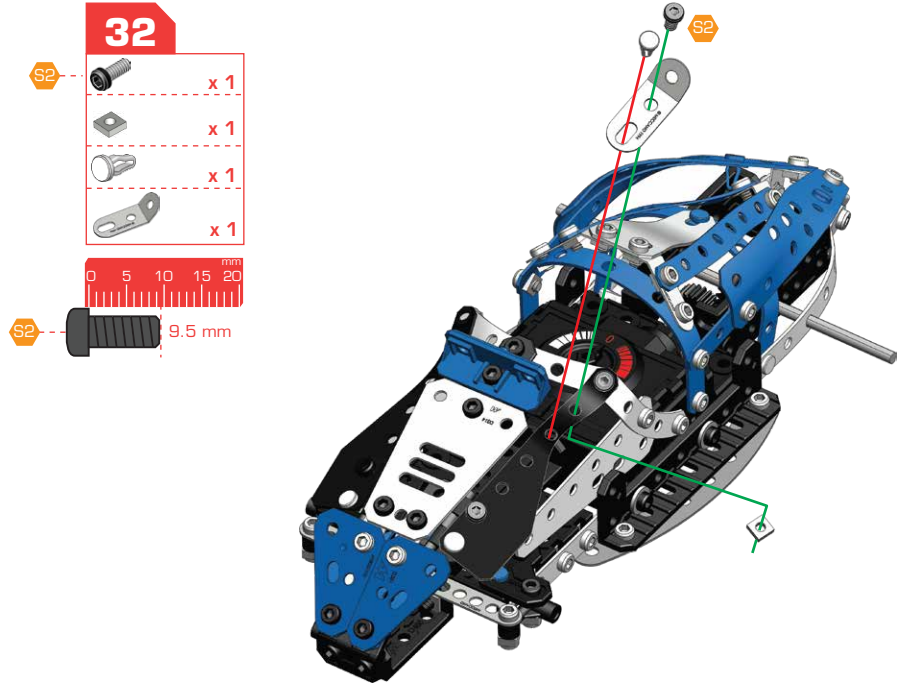
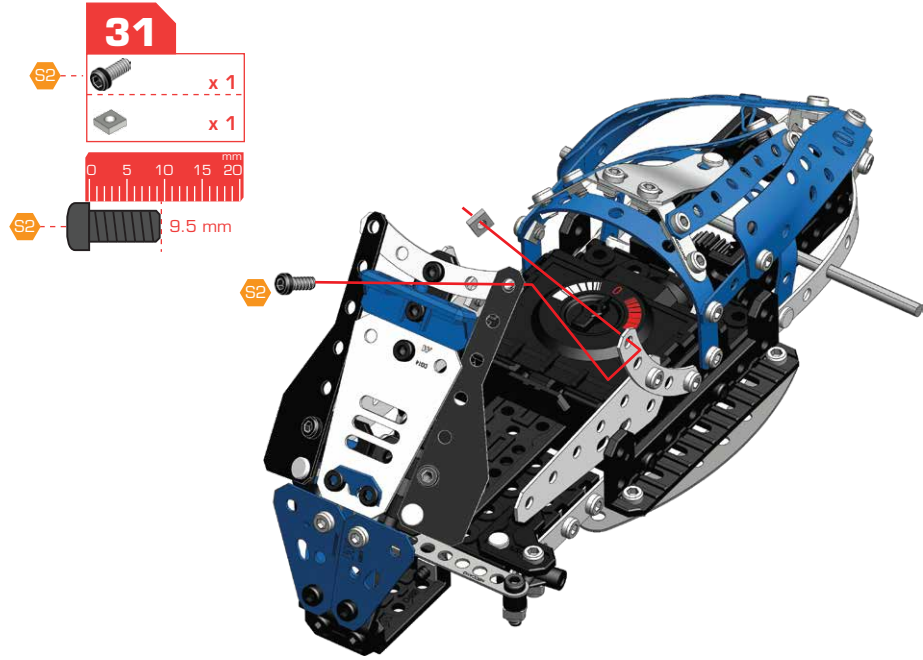
### 26

- x 2
- x 2

x2

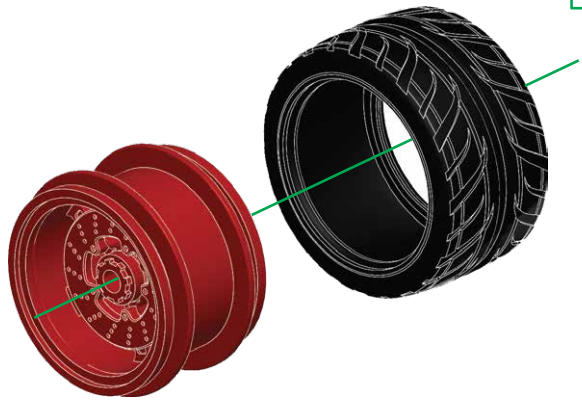
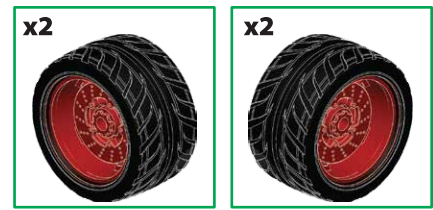




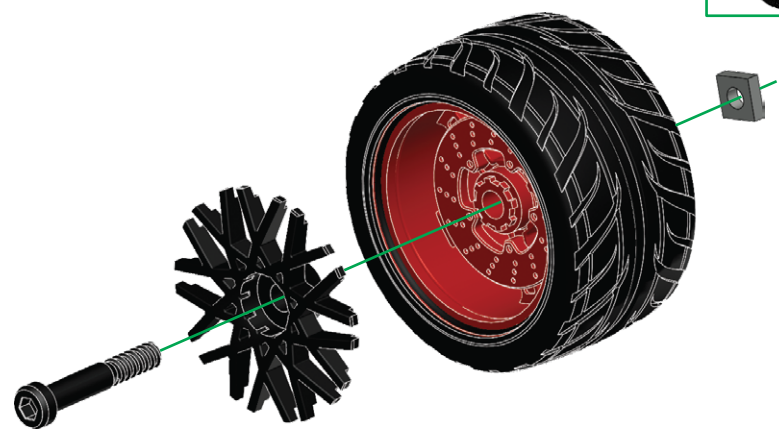
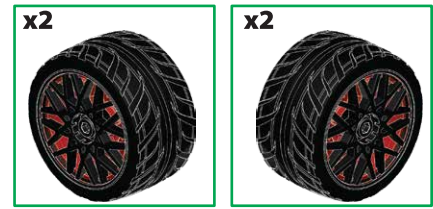
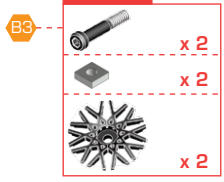








**35**

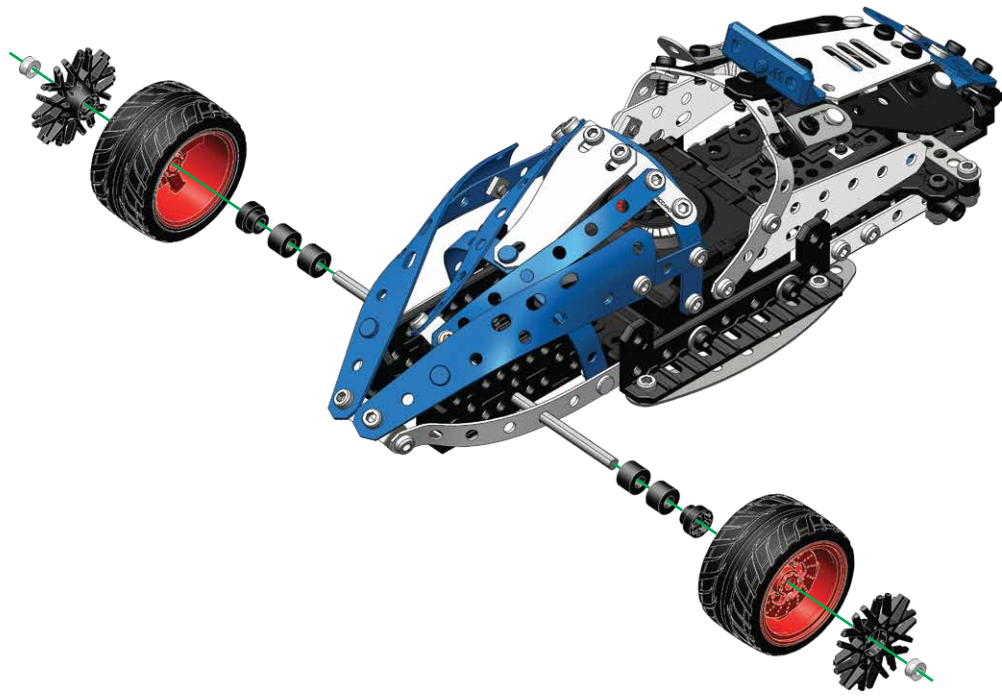


**36**



**37** 34+35

-  x 4
-  x 2
-  x 2
-  x 2



**38** 36+37

