

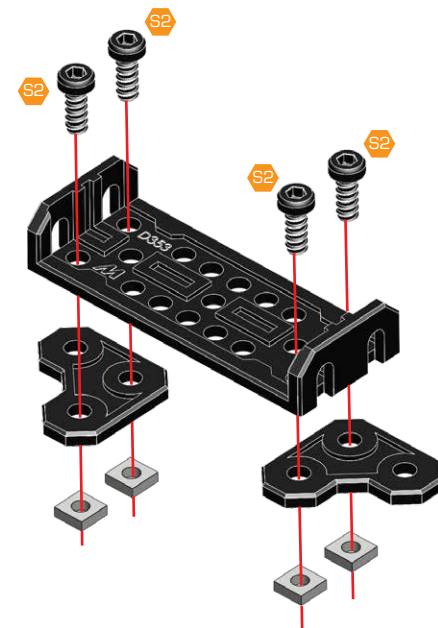


1

- S2 x 4
- x 4
- x 2
- x 1

0 5 10 15 20 mm

S2 9.5 mm

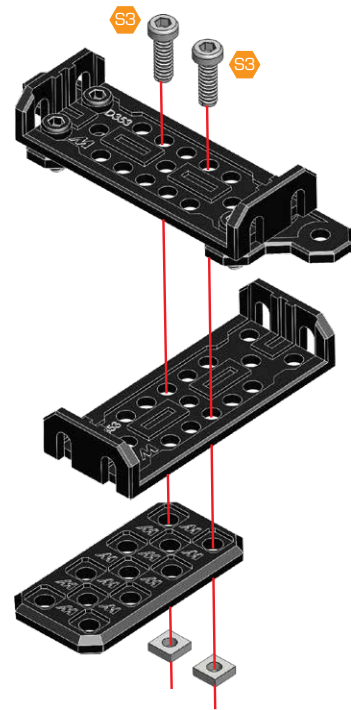


2

- S3 x 2
- x 2
- x 1
- x 1

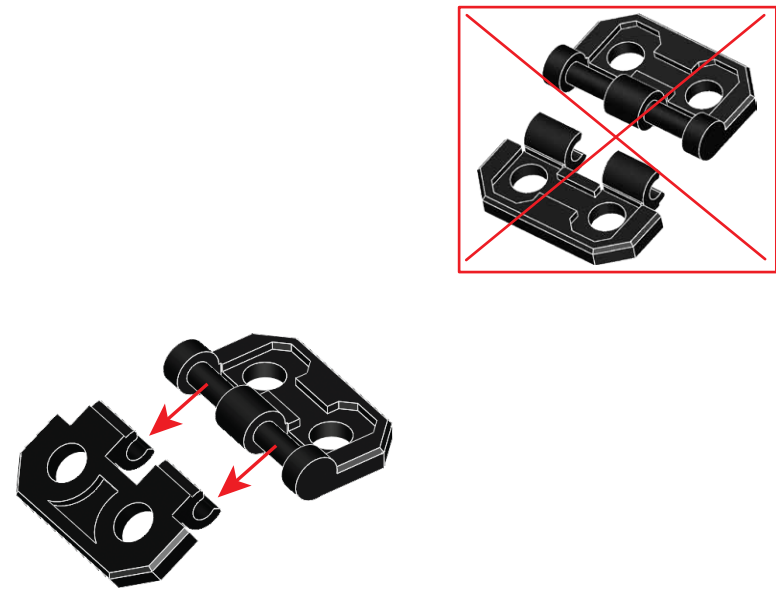
0 5 10 mm


S3 12 mm

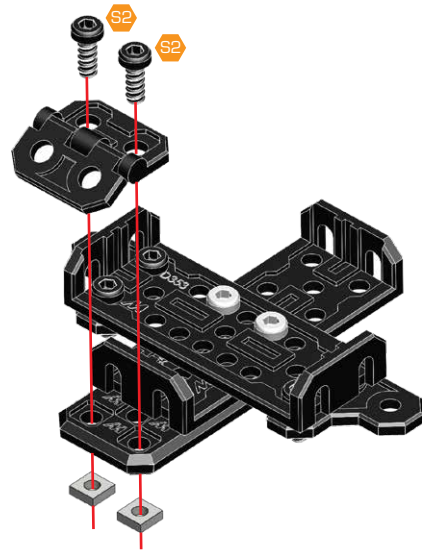



3

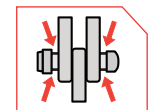
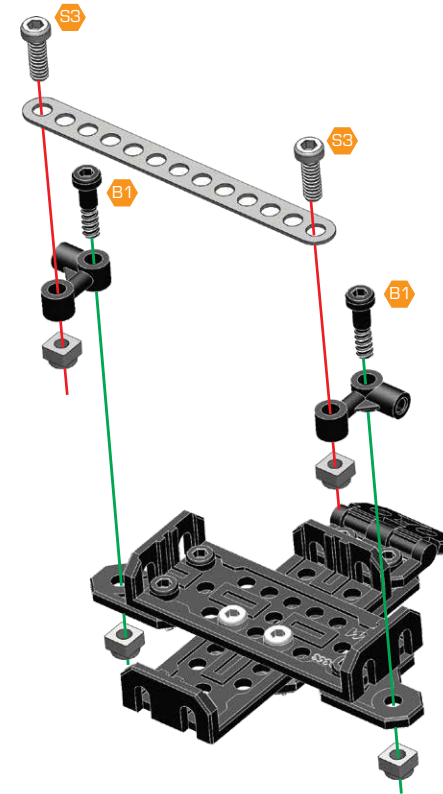
- x 1
- x 1



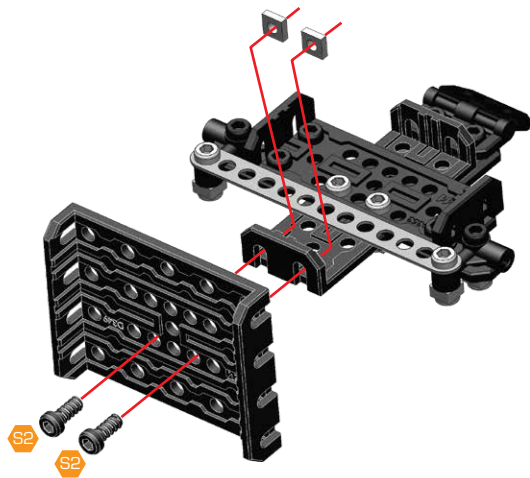
- 4** **2+3**
- S2 x 2
 - x 2
- 
- S2 9.5 mm



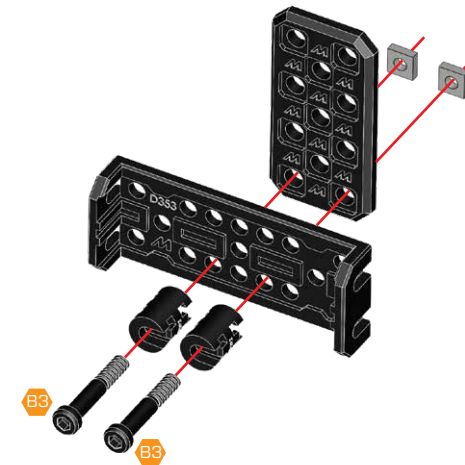
- 5**
- S3 x 2
 - B1 x 2
 - x 4
 - x 2
 - x 1
- 
- B1 14.7 mm
- S3 12 mm

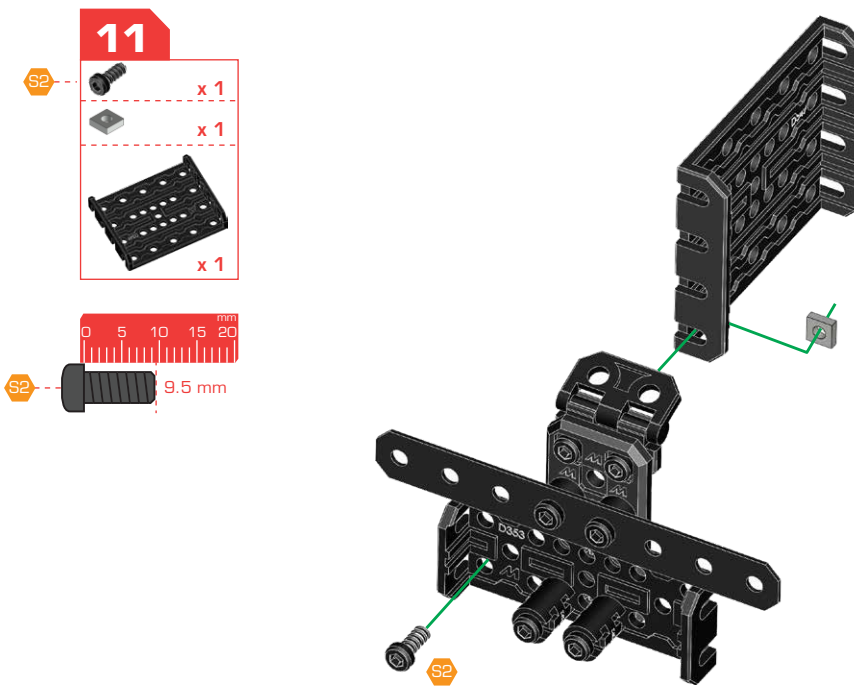
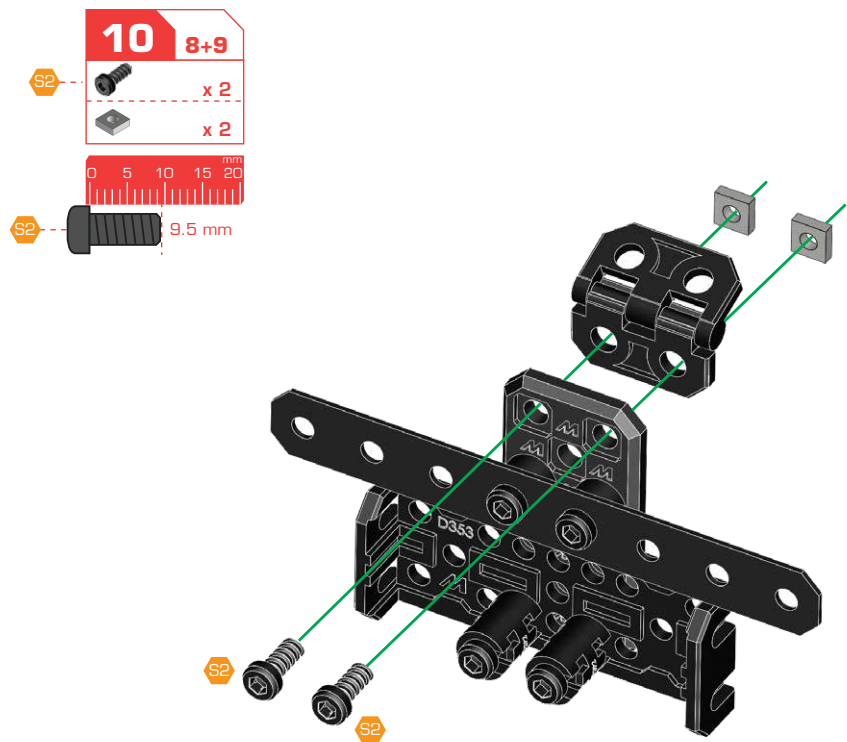
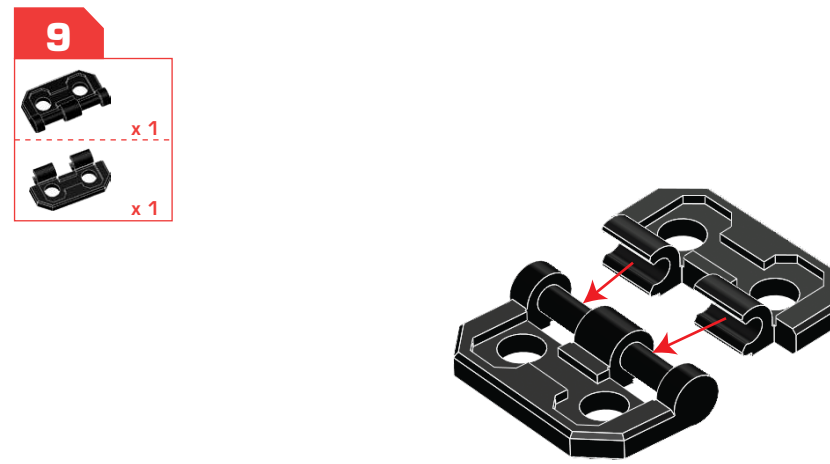
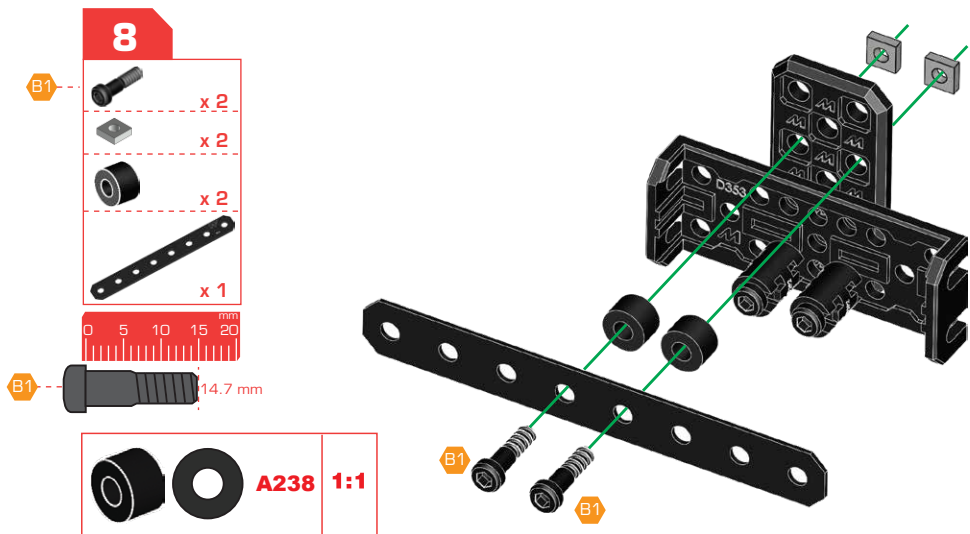


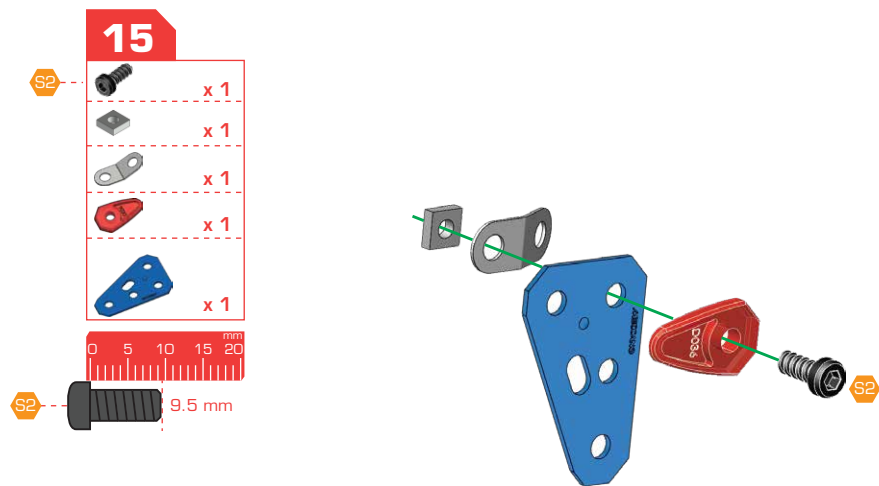
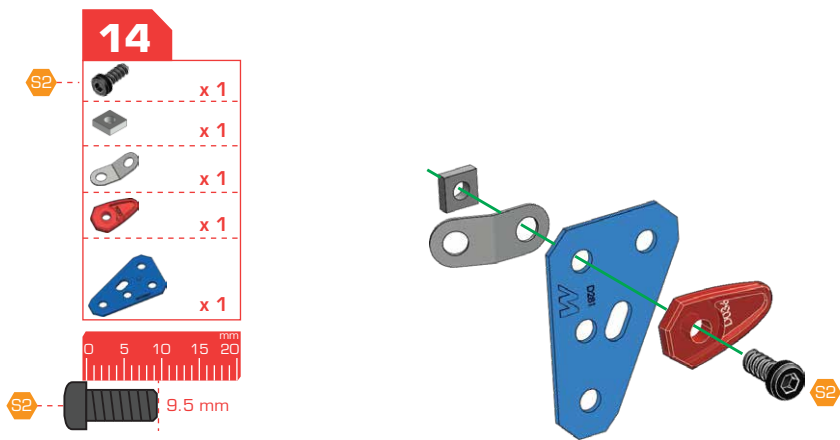
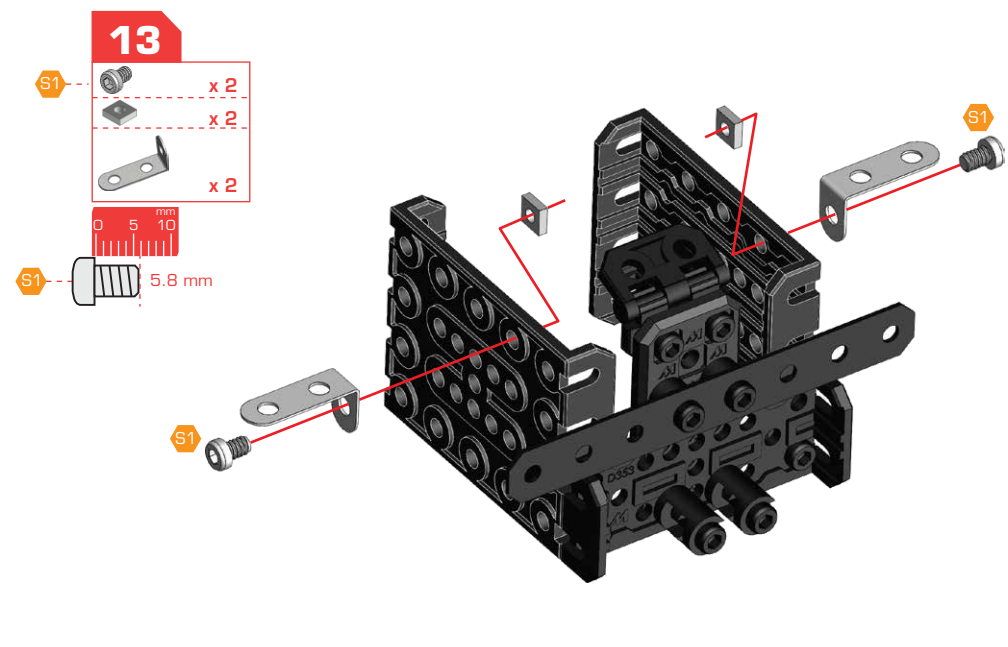
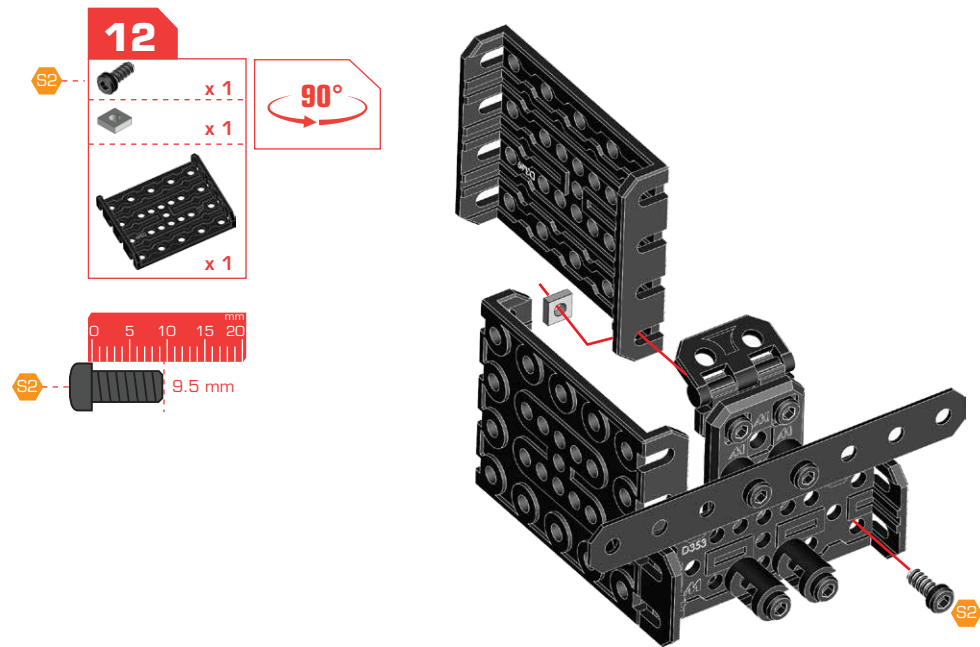
- 6**
- S2 x 2
 - x 2
 - x 1
- 
- S2 9.5 mm

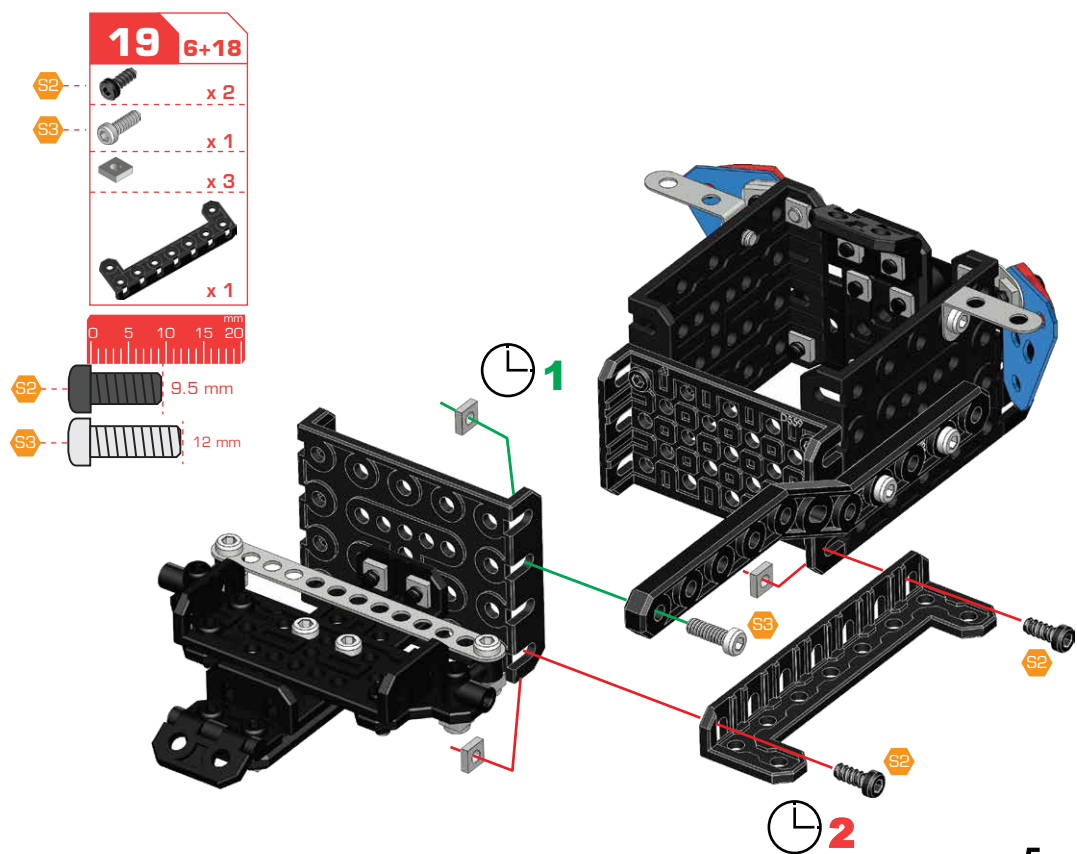
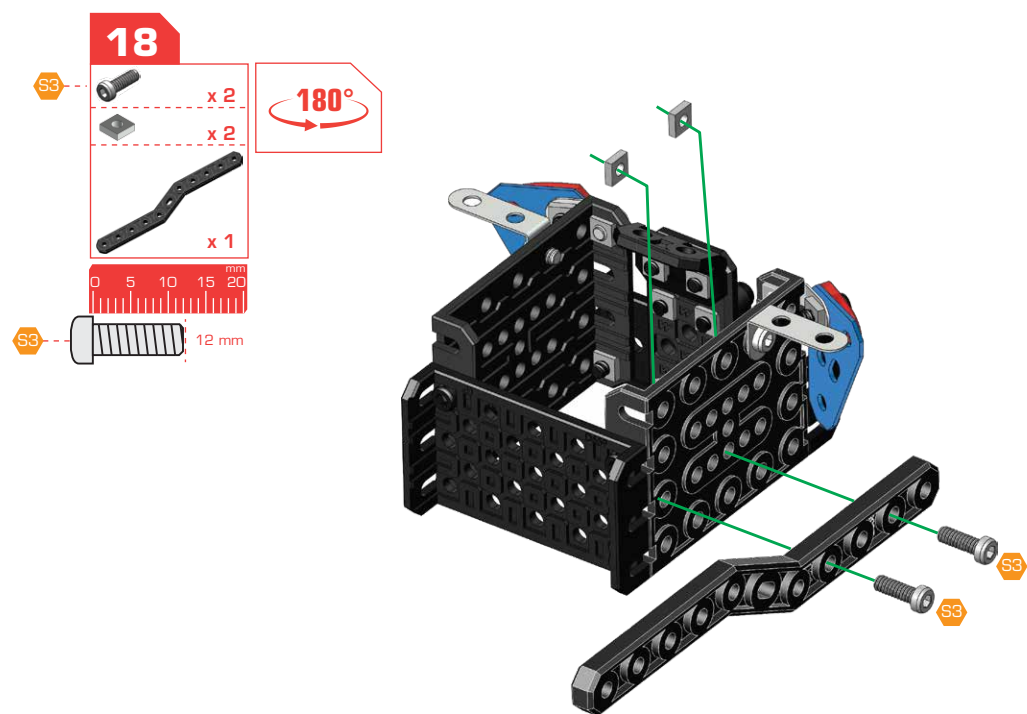
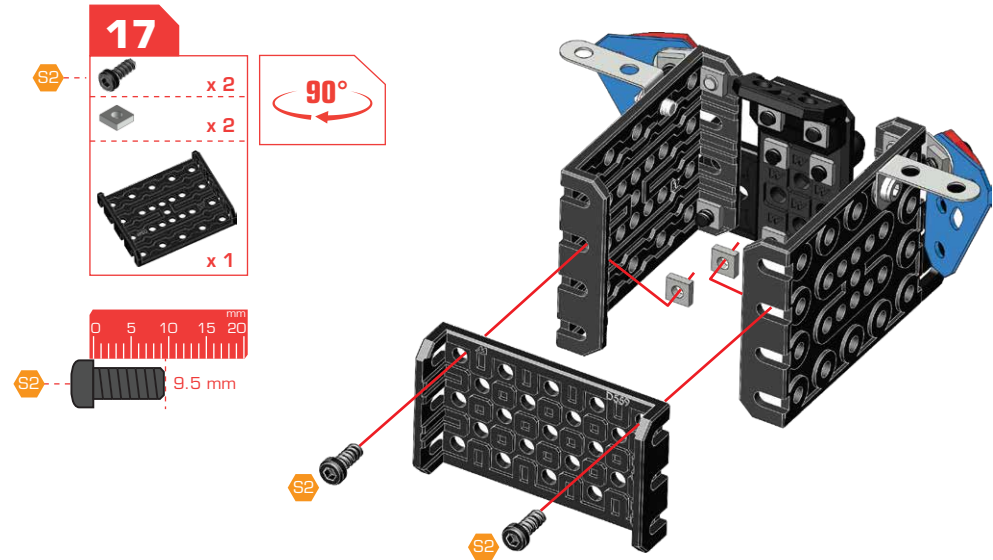
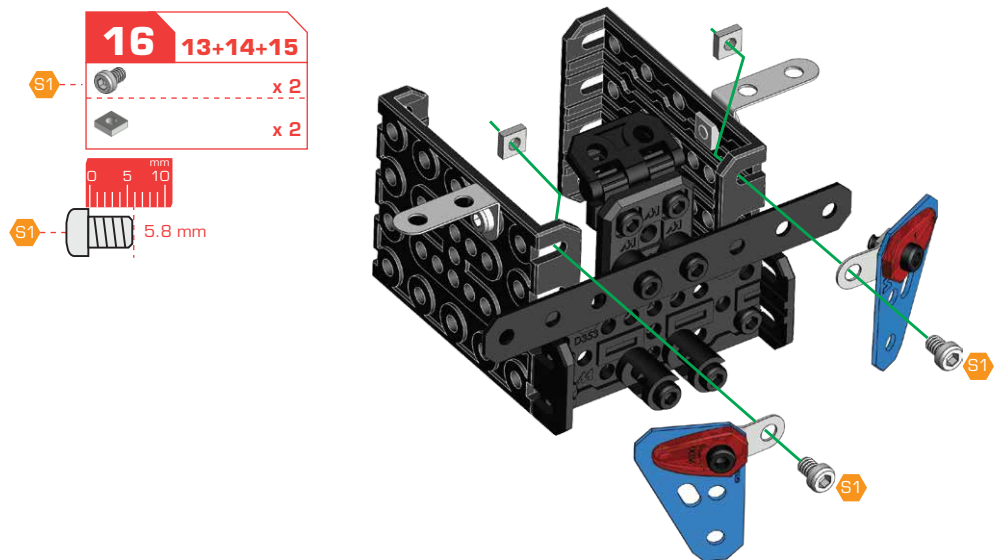


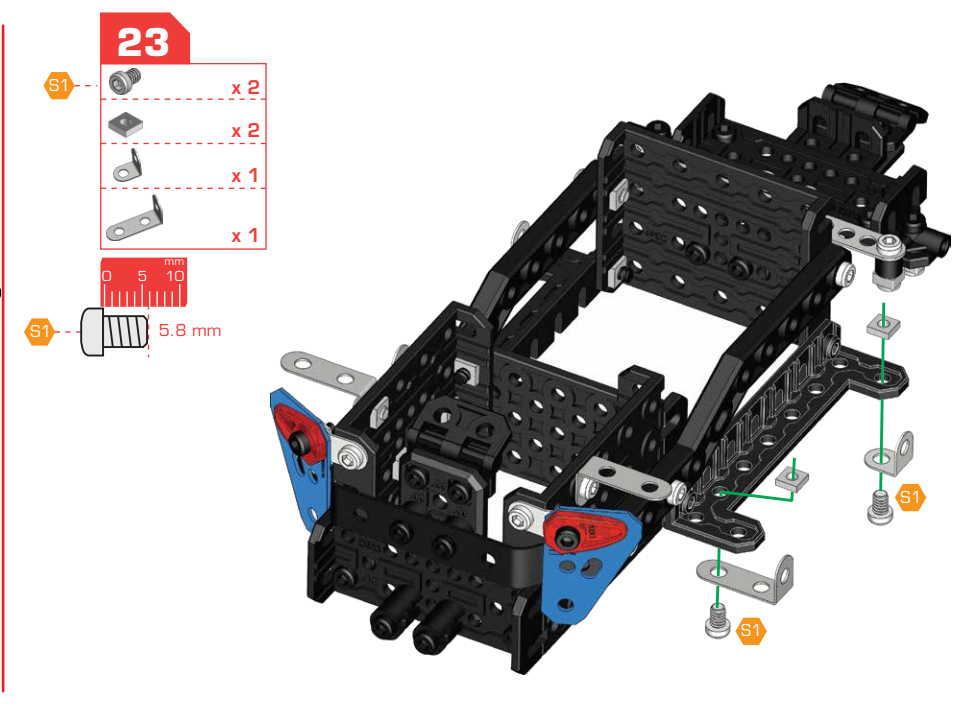
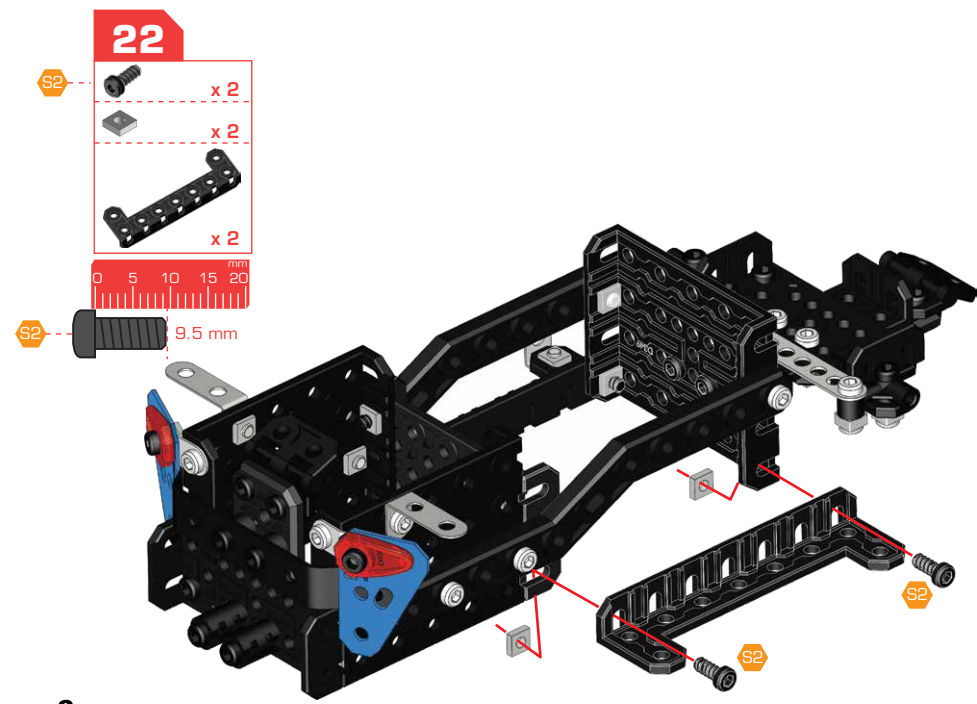
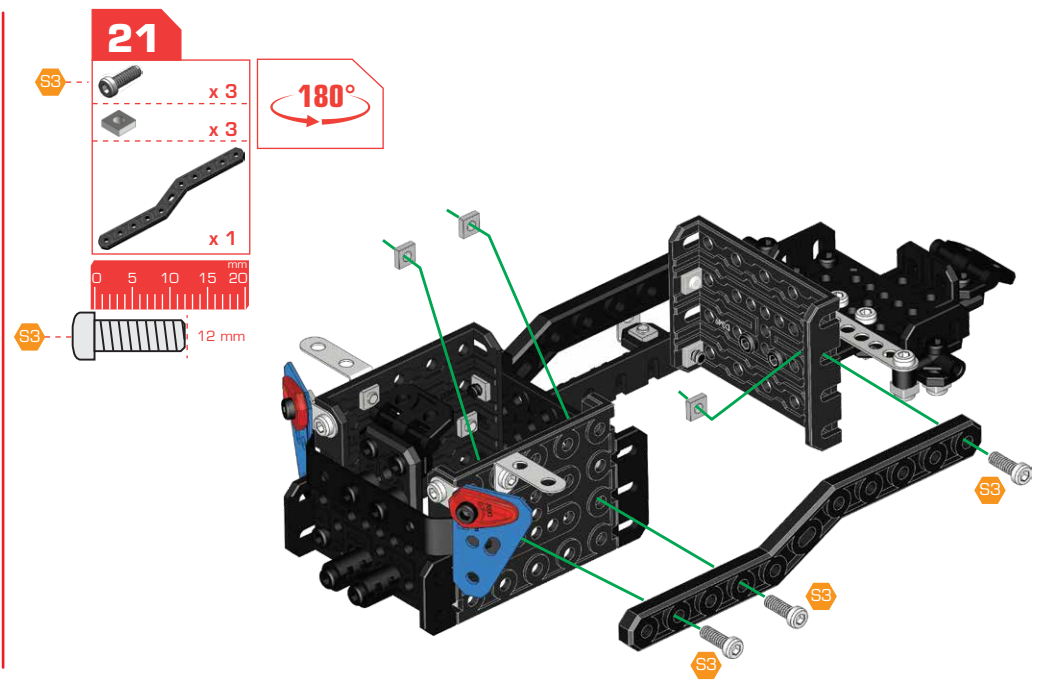
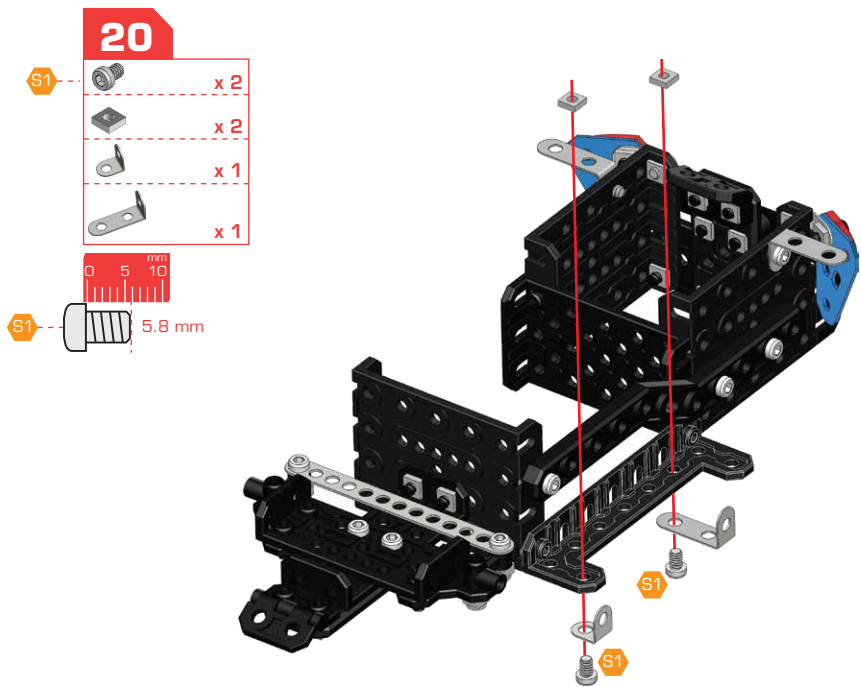
- 7**
- B3 x 2
 - x 2
 - x 2
 - x 1
 - x 1
- 
- B3 23 mm

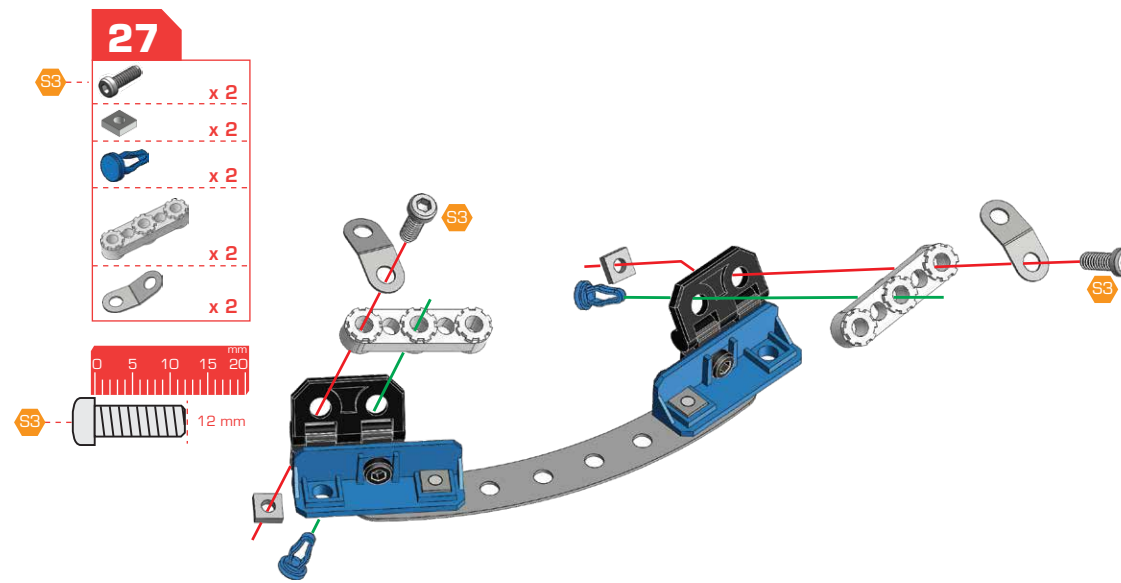
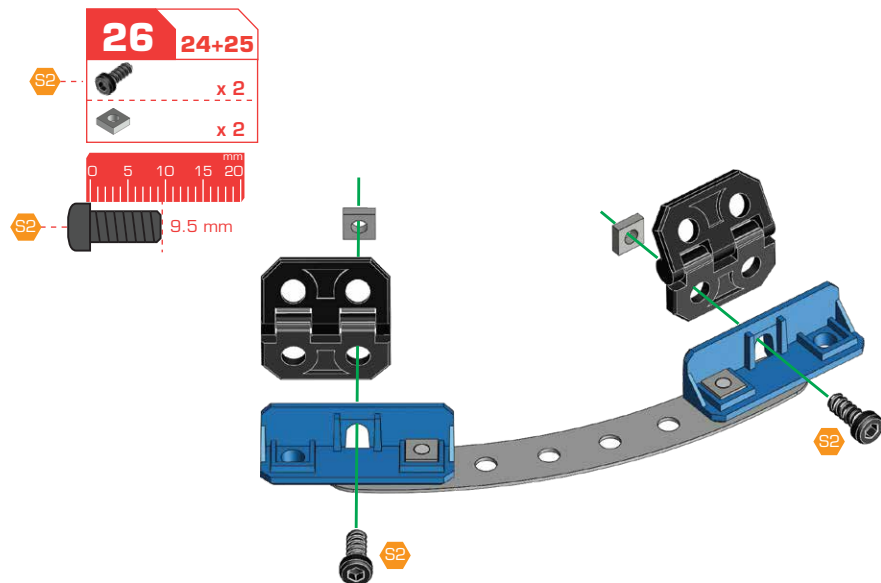
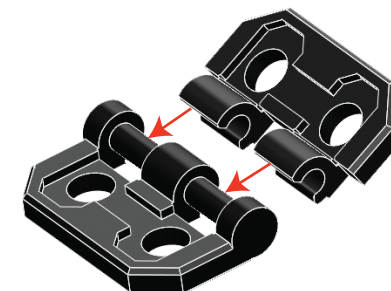
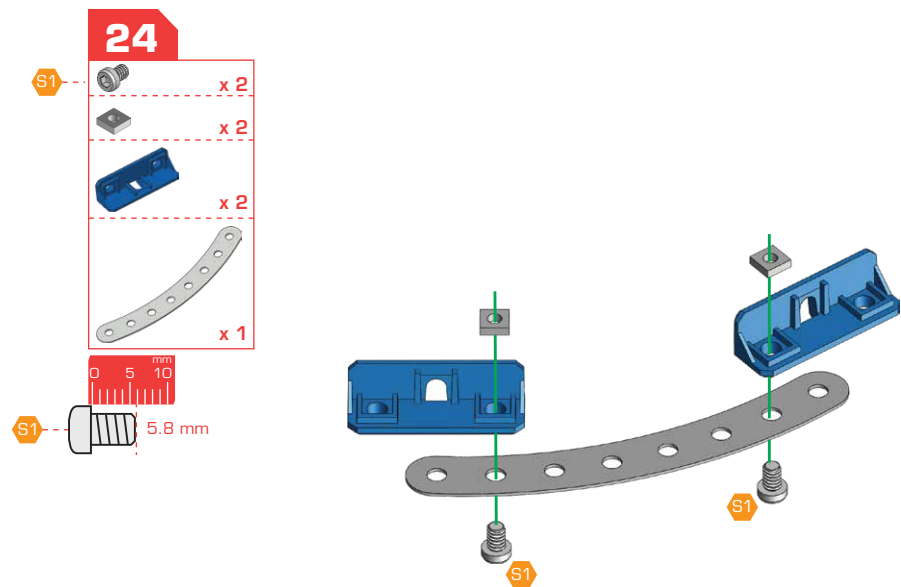


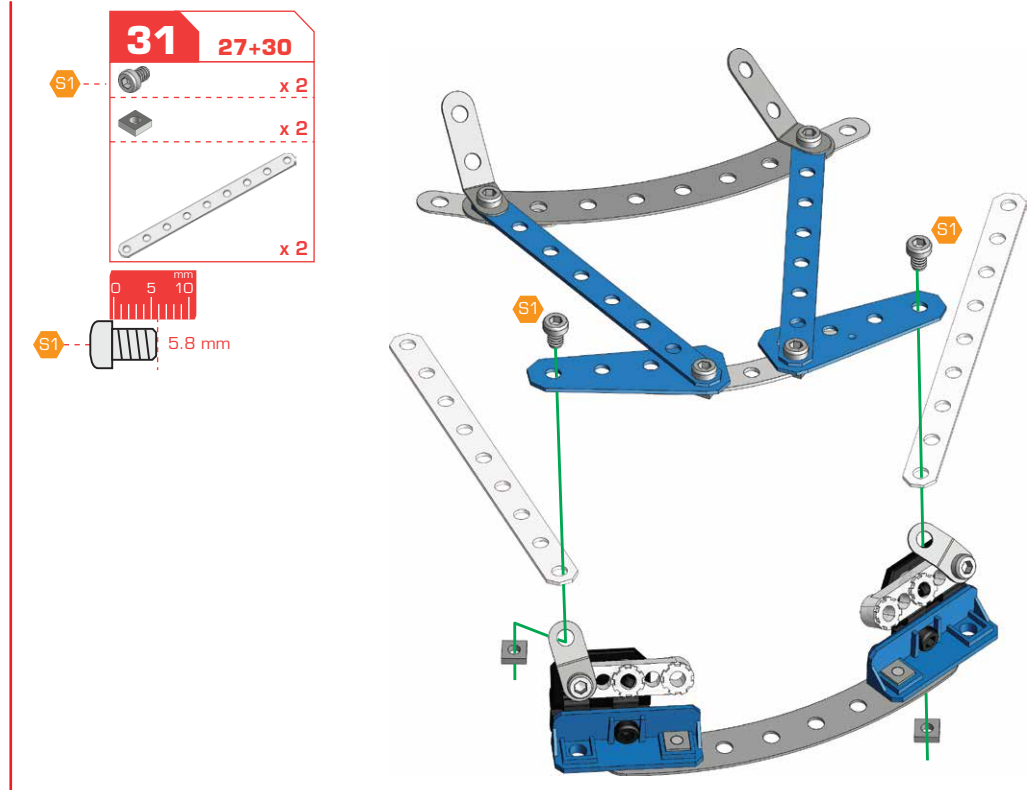
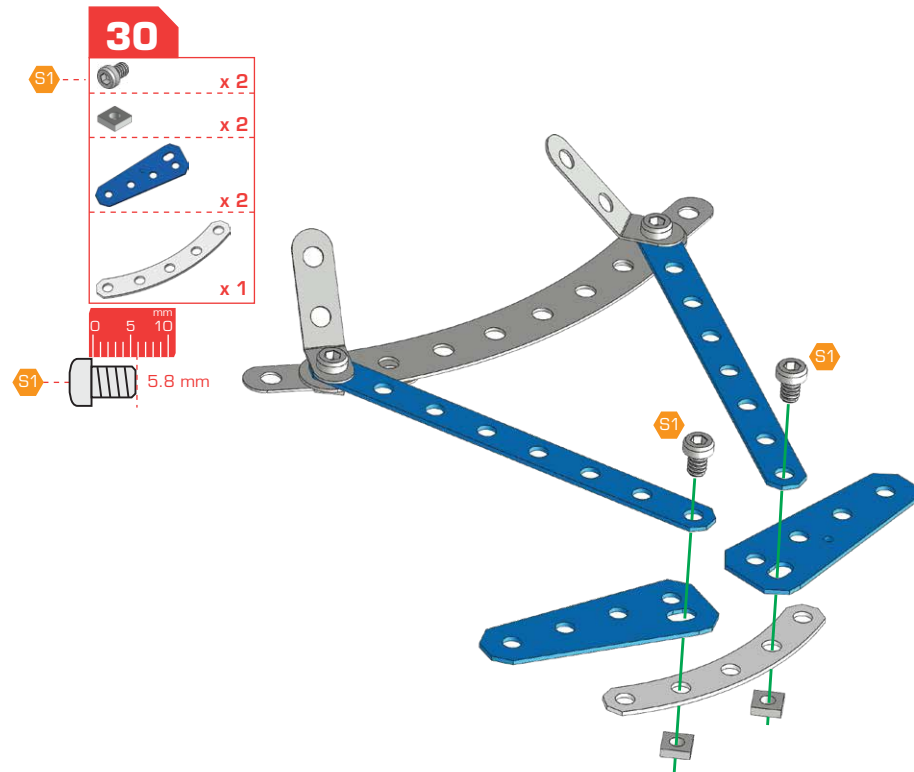
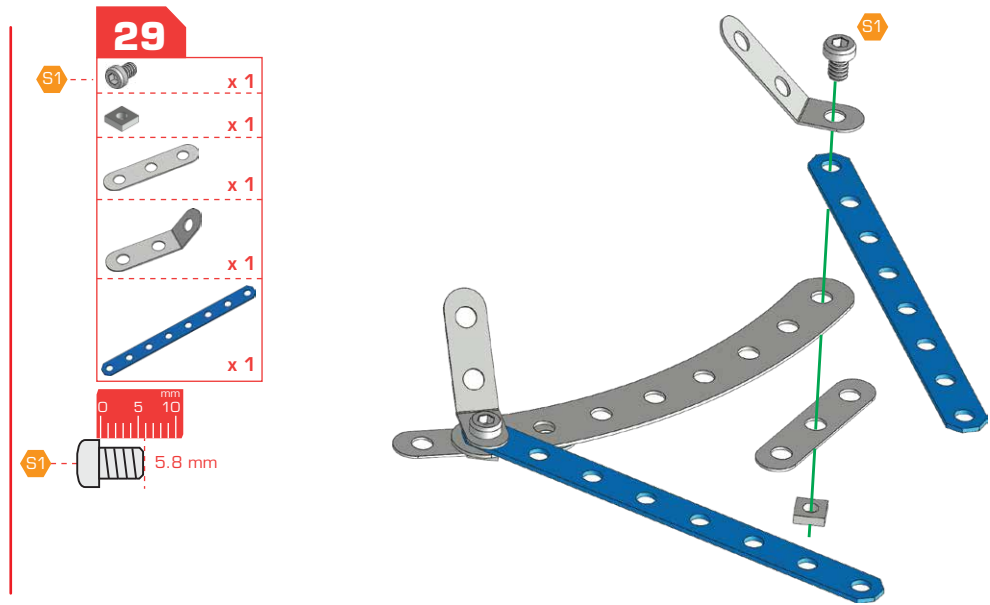
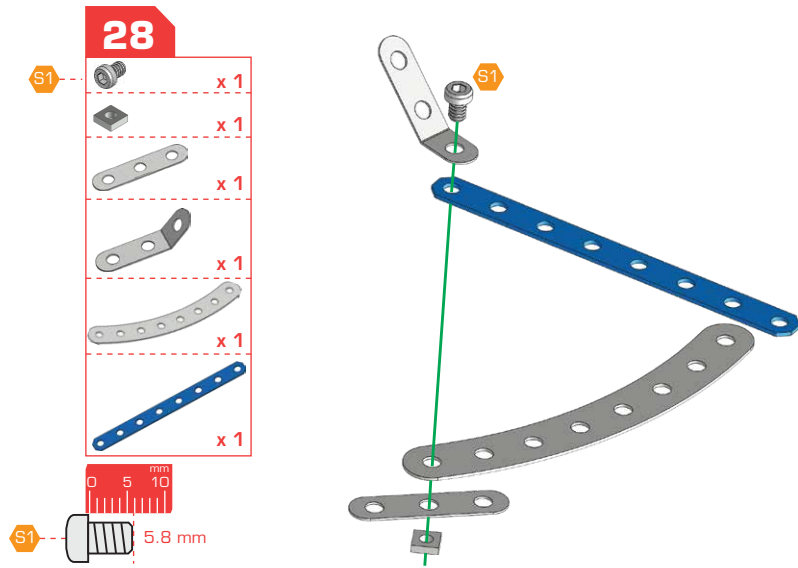


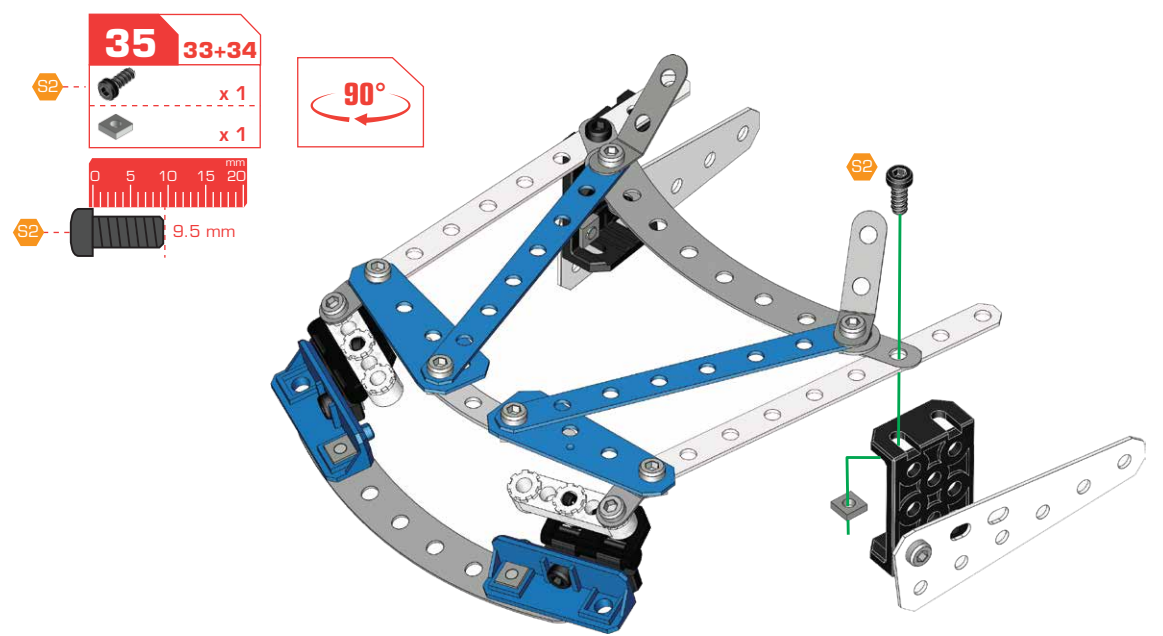
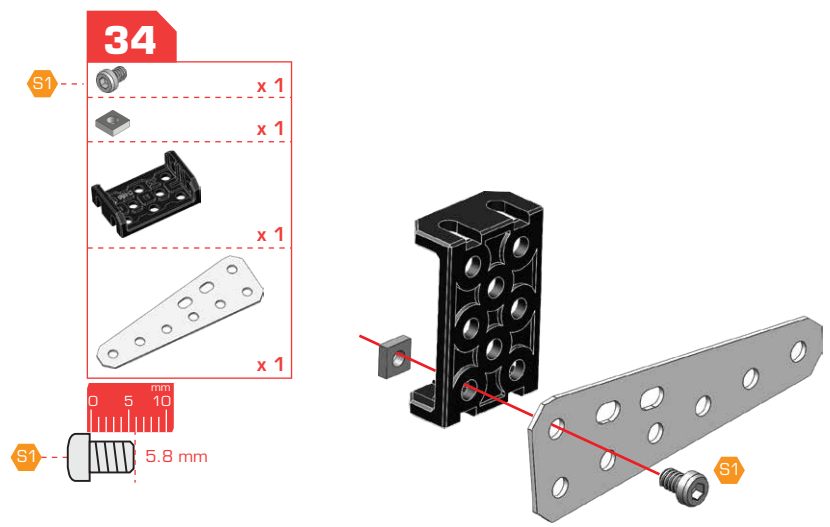
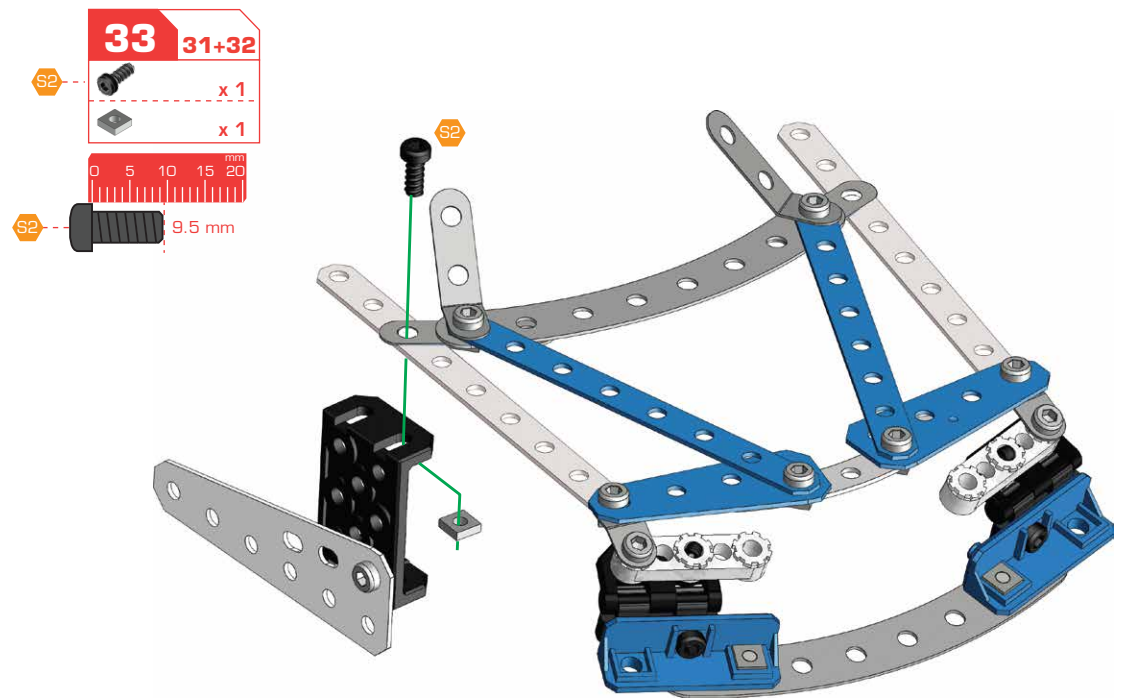
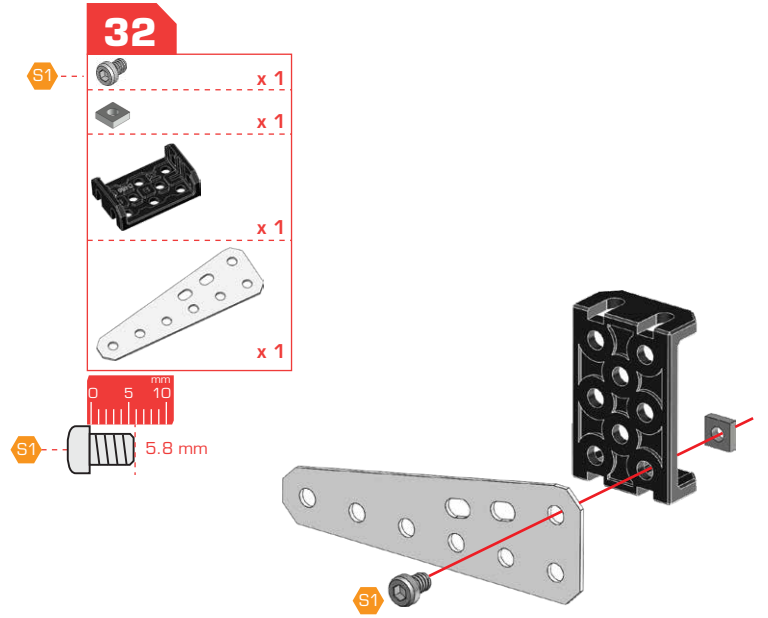














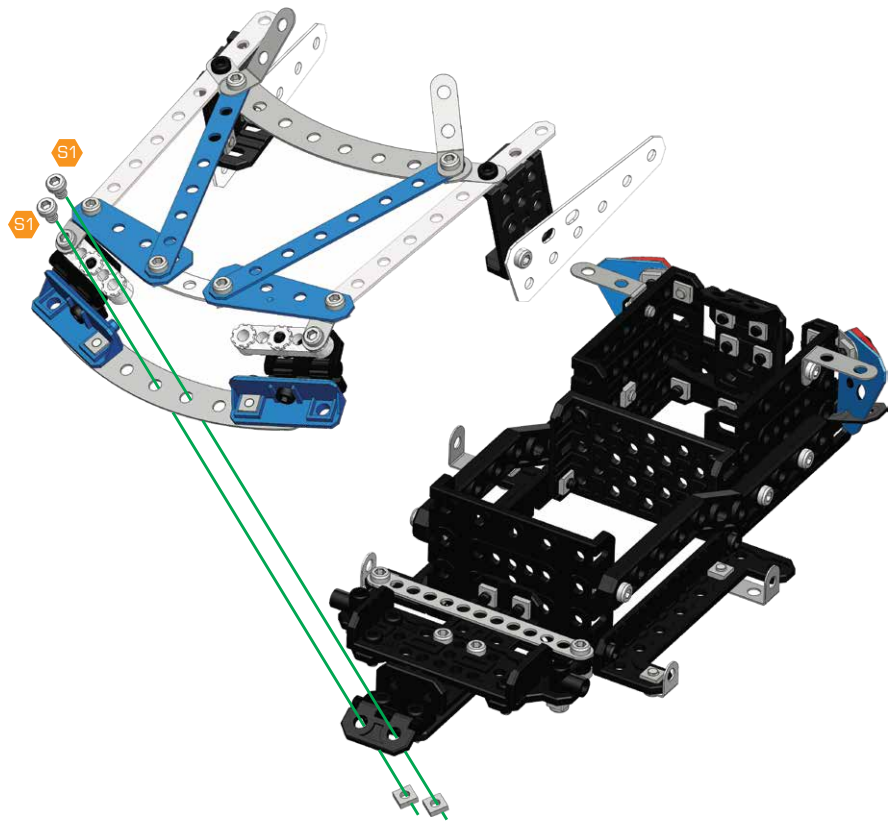


36 23+35






-  x 2
-  x 2


 0 5 10 mm


 5.8 mm

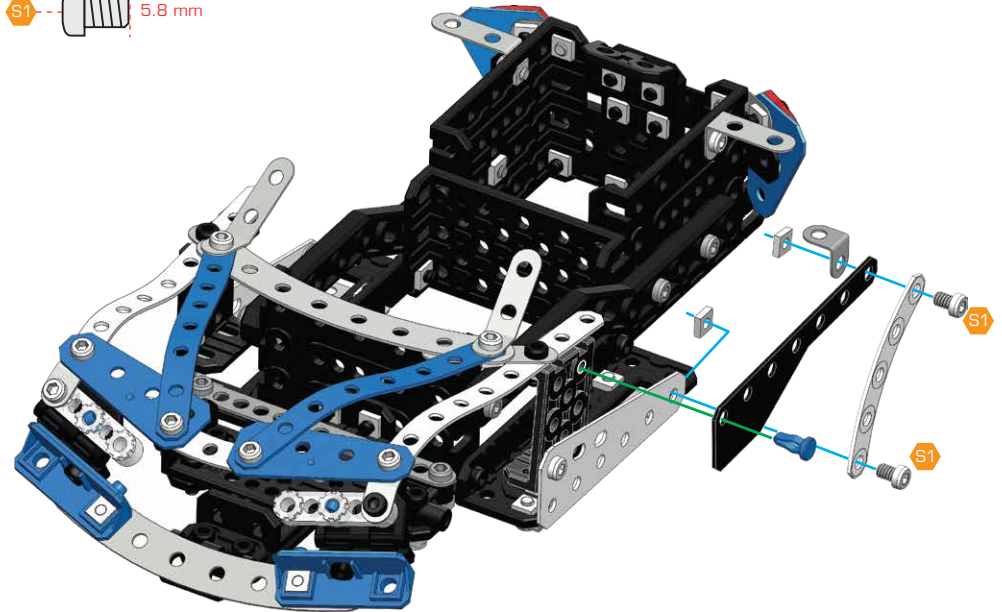


37






-  x 2
-  x 2
-  x 1
-  x 1
-  x 1
-  x 1

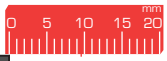
 0 5 10 mm

 5.8 mm

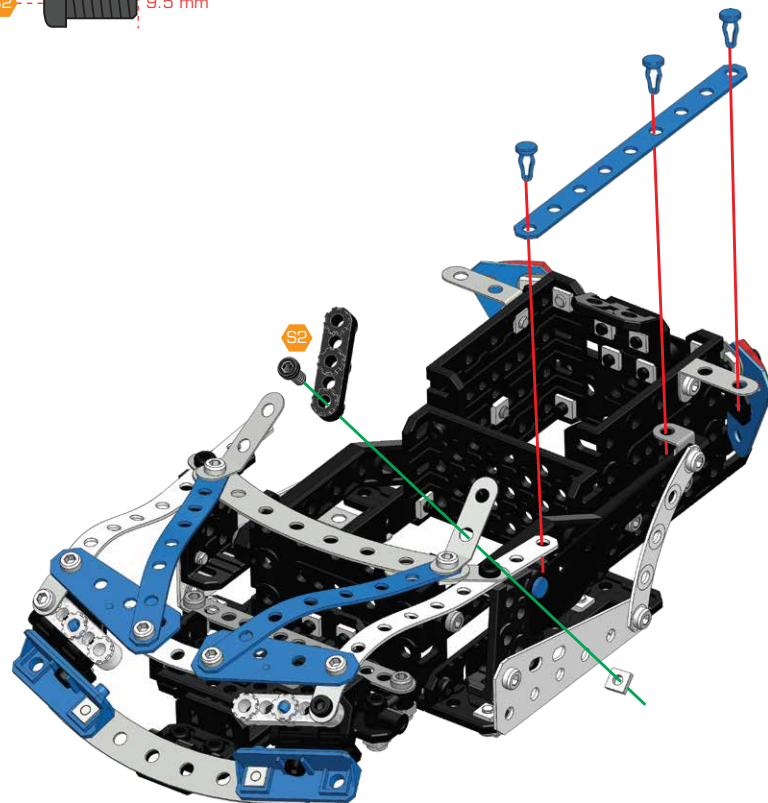


38







-  x 1
-  x 1
-  x 3
-  x 1
-  x 1

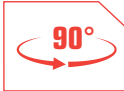


 9.5 mm

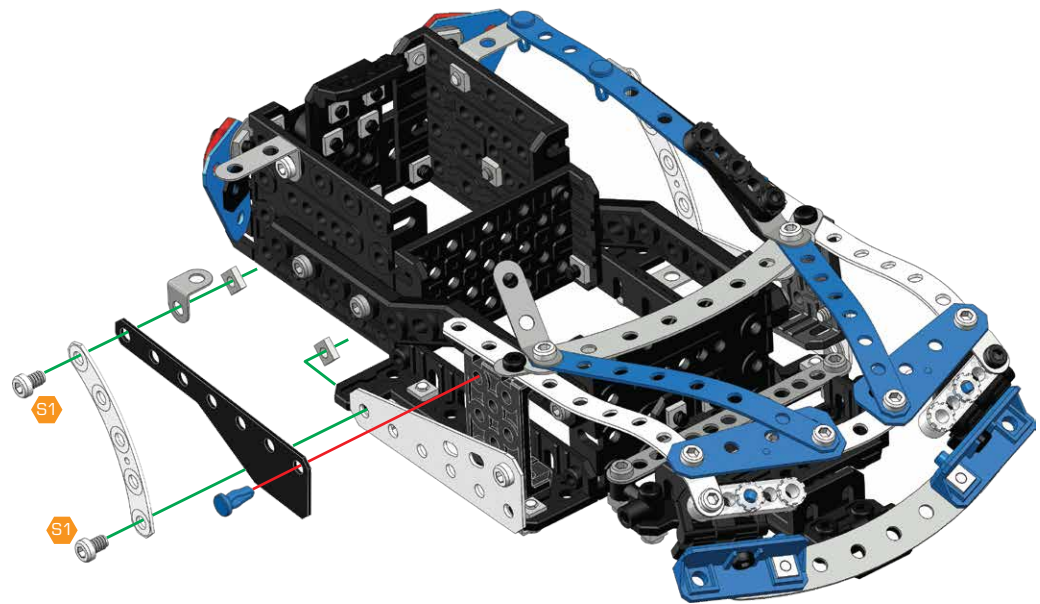


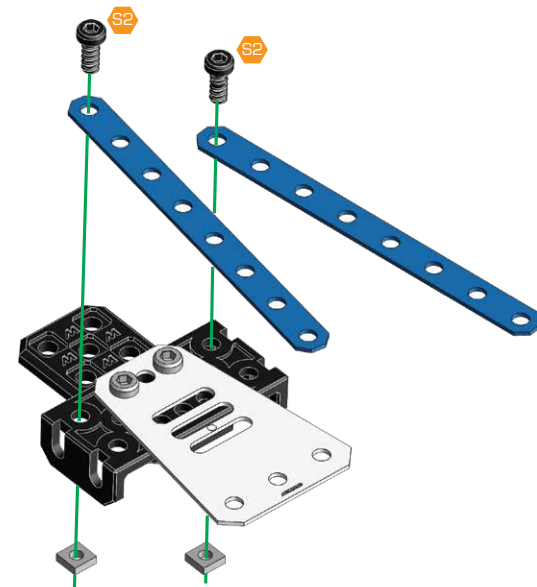
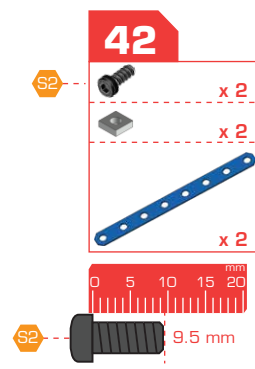
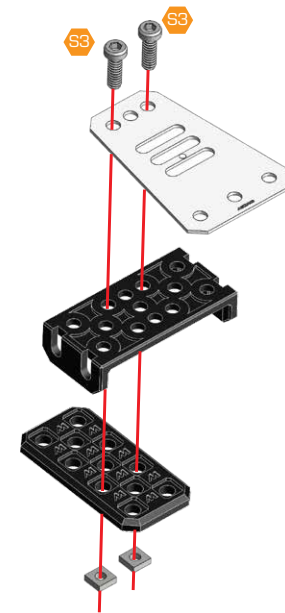
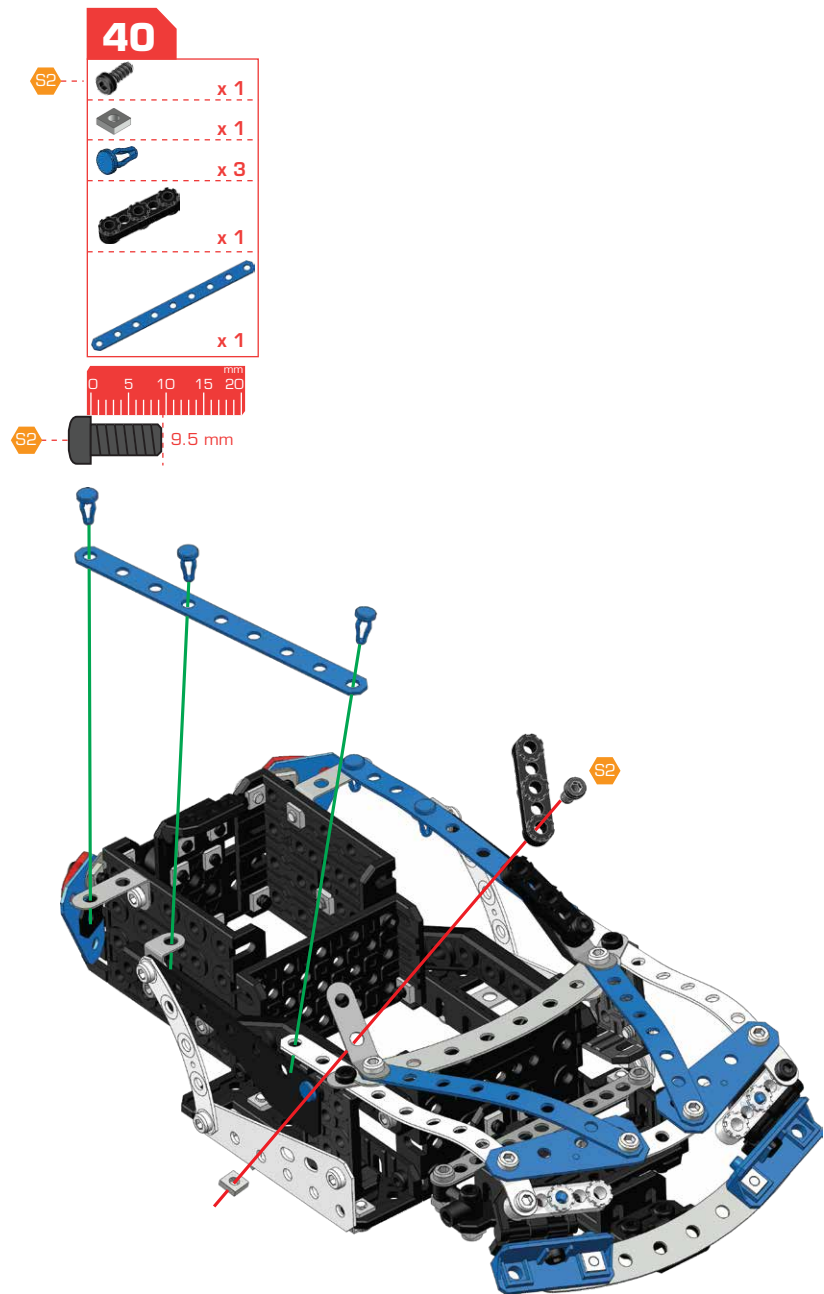
39

-  x 2
-  x 2
-  x 1
-  x 1
-  x 1
-  x 1



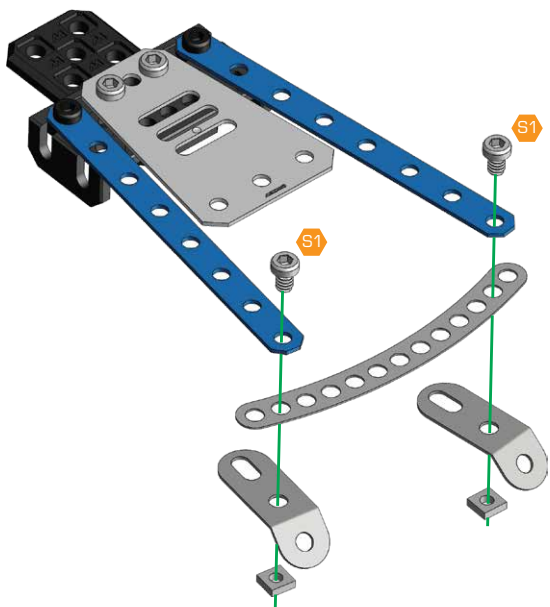
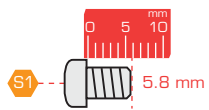
 5.8 mm





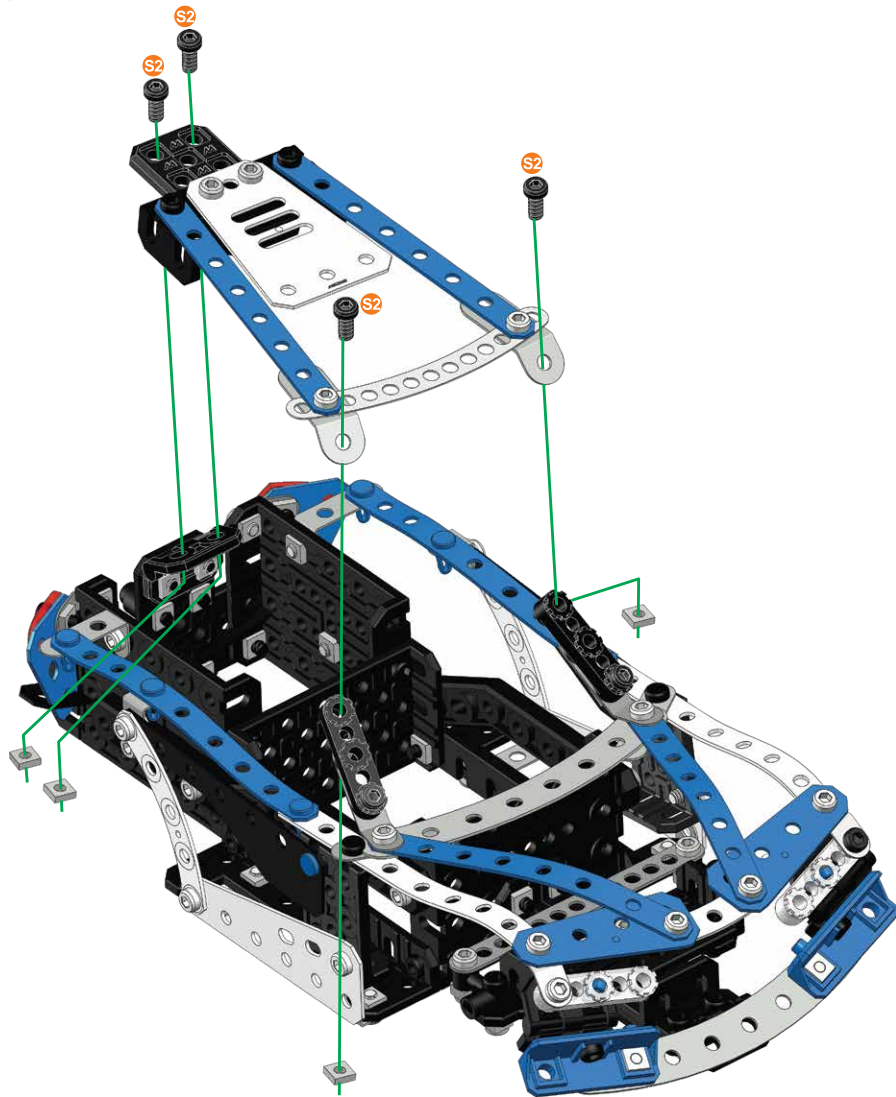
43

- S1 x 2
- x 2
- x 2
- x 1

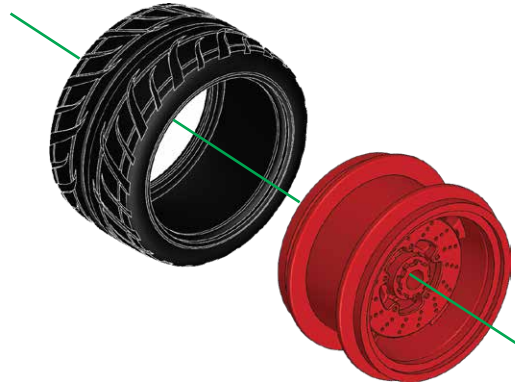


44 40+43

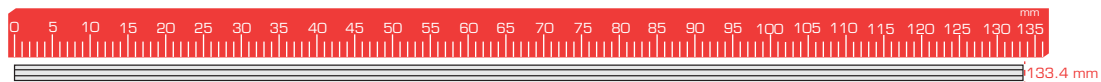
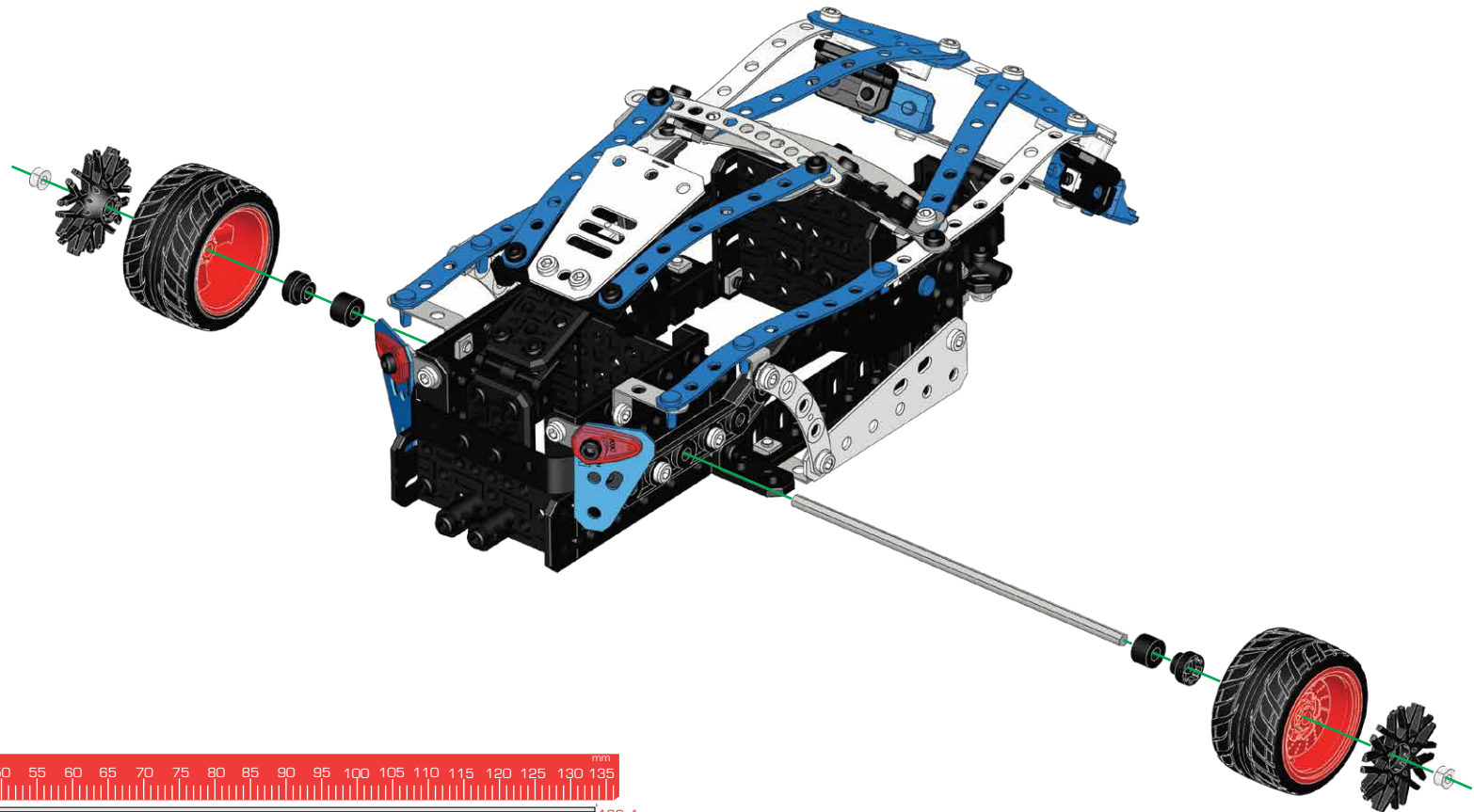
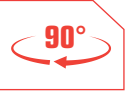
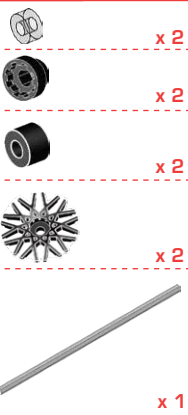
- S2 x 4
- x 4



45



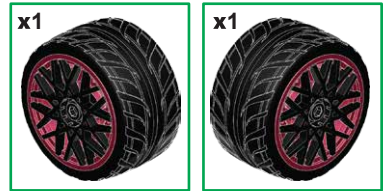
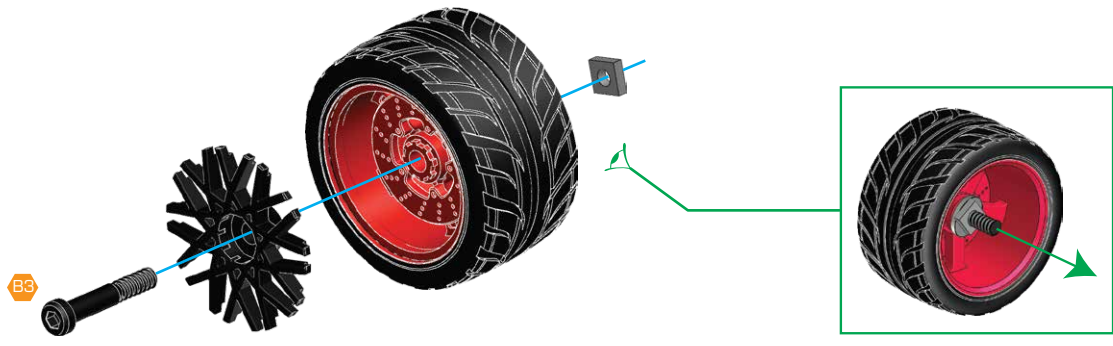
46 44+45



47

B3 x 2
x 2
x 2

23 mm



48 46+47

90°

