

5

- B1 x 4
- x 4
- x 2
- x 1

mm
0 5 10 15 20

B1 14.7 mm

6

- S2 x 2
- x 2
- x 2

mm
0 5 10 15 20

S2 9.5 mm

7

- S1 x 2
- S2 x 4
- x 6
- x 2
- x 2
- x 1

mm
0 5 10 15 20

S1 5.8 mm

S2 9.5 mm

8

S1	x 2
	x 2
	x 4
	x 1
	x 1
	x 2

S5 25.4 mm
S1 5.8 mm

9

S1	x 2
	x 2
	x 2

S1 5.8 mm

10

S1	x 2
S3	x 2
	x 2
	x 4
	x 2
	x 2
	x 2
	x 2

S1 5.8 mm
S3 12 mm

11

S1	x 4
S2	x 2
	x 6
	x 2
	x 1
	x 2

S1 5.8 mm
S2 9.5 mm

12

- S1 x 4
- S2 x 2
- x 6
- x 1
- x 1
- x 1
- x 1

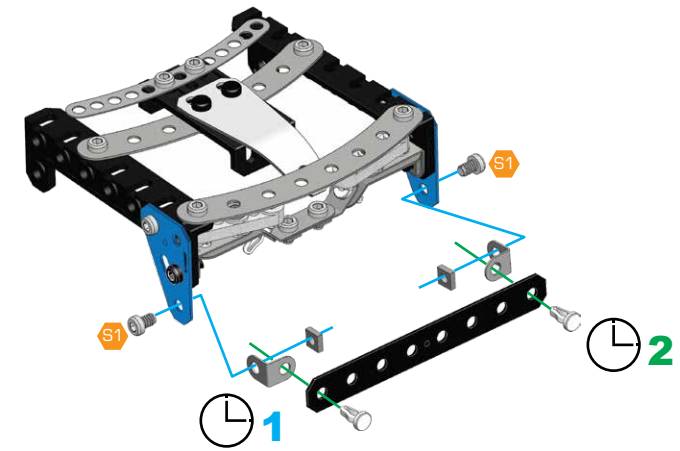
5.8 mm

9.5 mm

13

- S1 x 2
- x 2
- x 2
- x 2
- x 1

5.8 mm



14

- S1 x 2
- S3 x 2
- x 4
- x 2
- x 2
- x 2

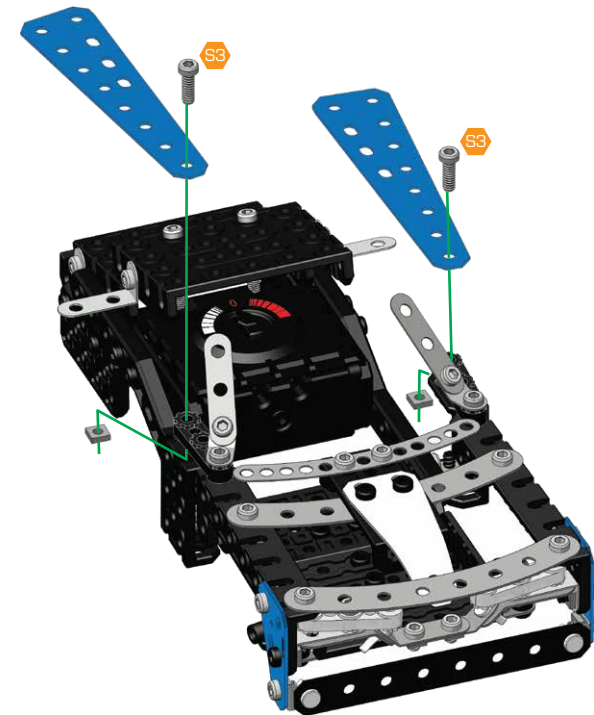
5.8 mm

12 mm

15 9+14

- S3 x 2
- x 2
- x 2

12 mm



16

- S1 x 2
- x 2
- x 2
- x 2
- x 2

5.8 mm

17

- S1 x 1
- S2 x 1
- x 2
- x 1
- x 1

5.8 mm

9.5 mm

18

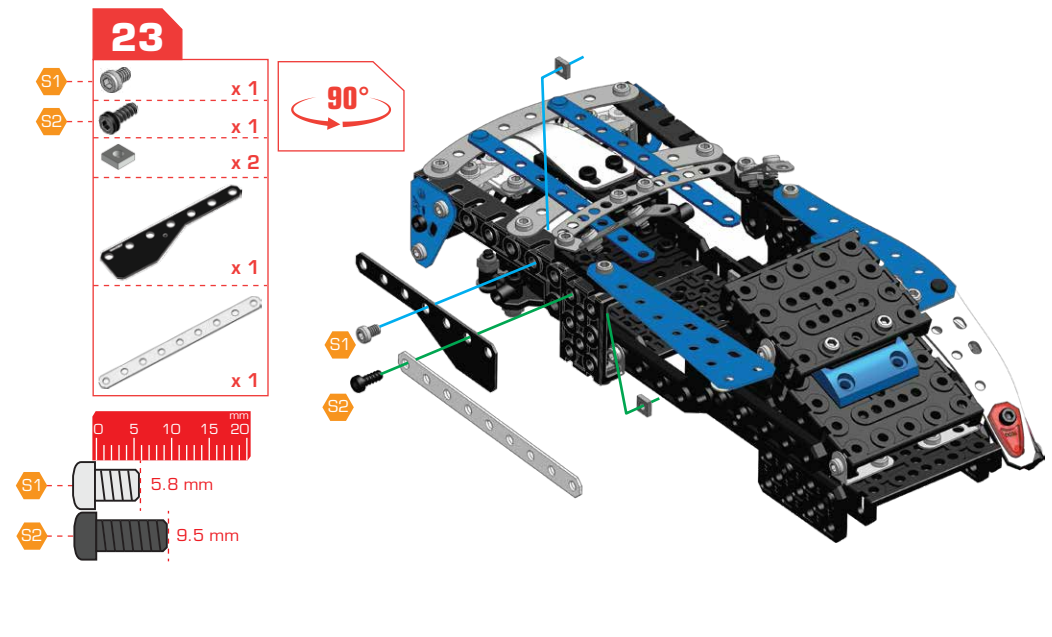
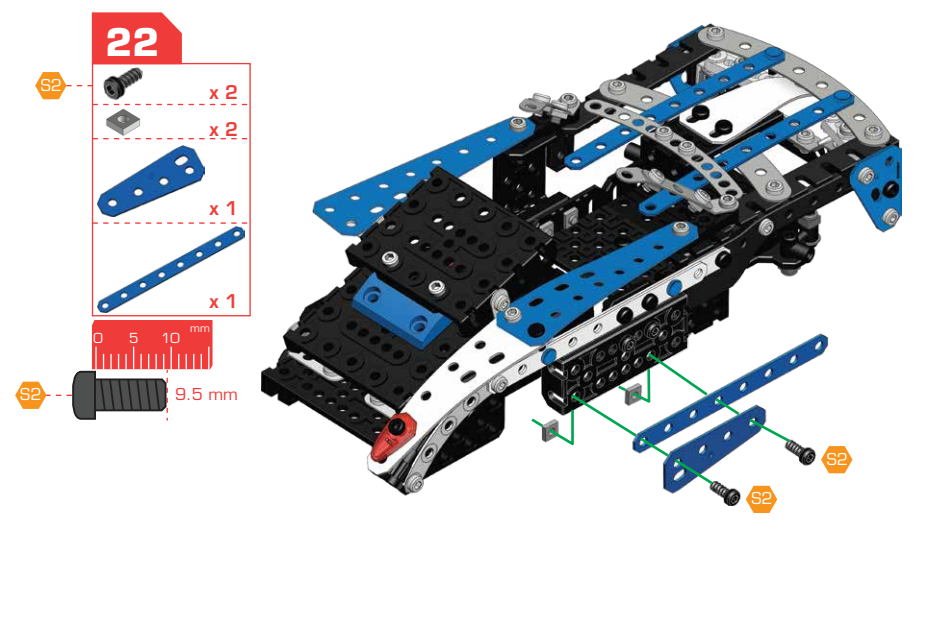
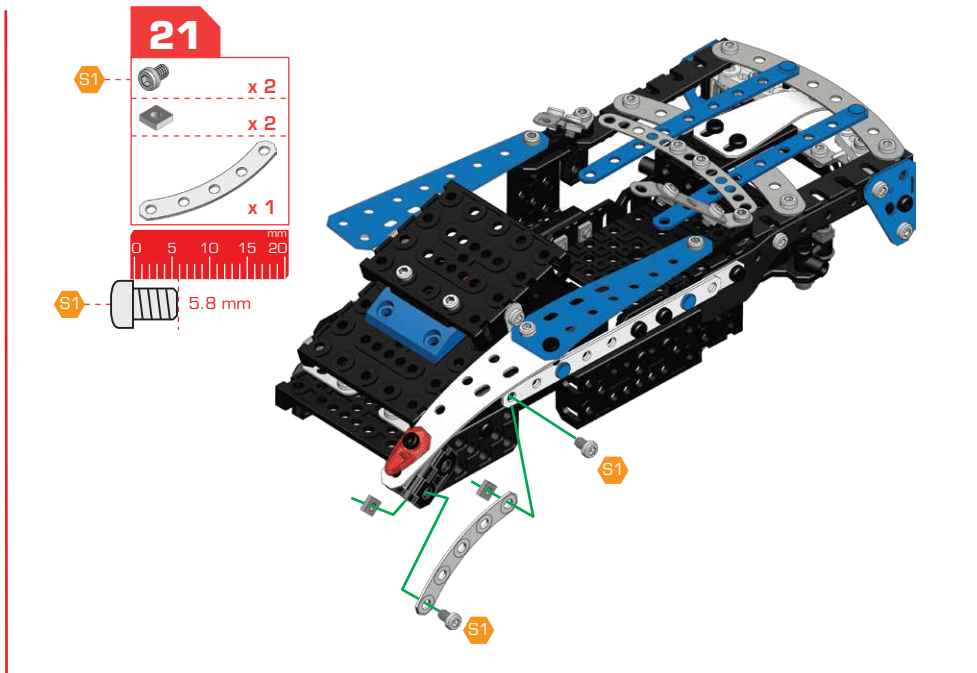
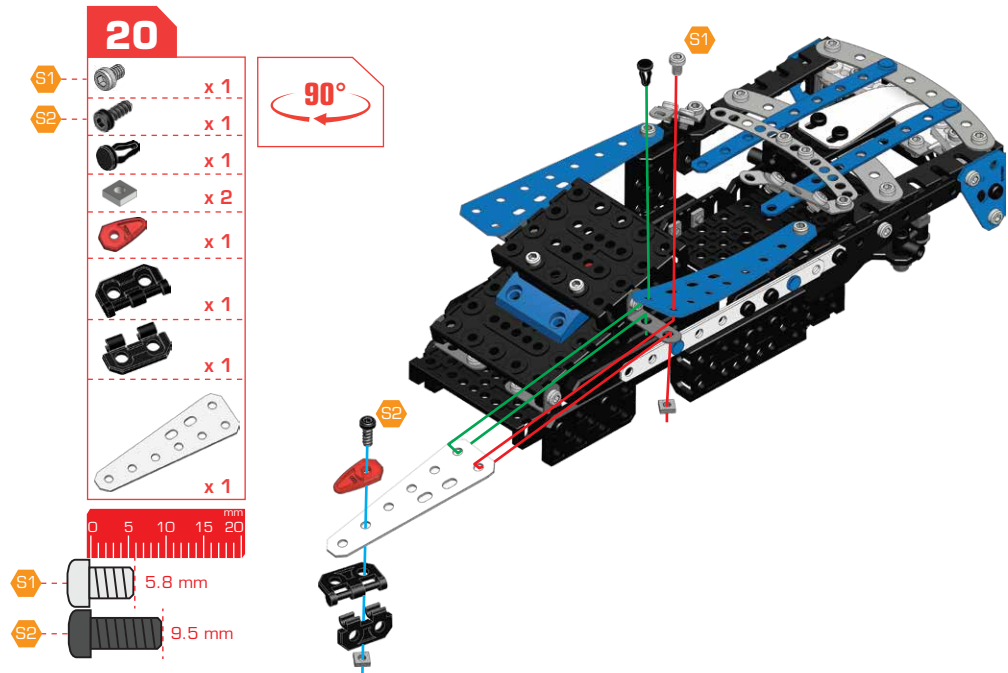
- S2 x 2
- x 2
- x 2
- x 1
- x 1
- x 1

9.5 mm

19

- S2 x 2
- x 2
- x 1

9.5 mm



24

- S1 x 1
- S2 x 1
- x 1
- x 2
- x 1
- x 1
- x 1
- x 1

5.8 mm

9.5 mm

25

- S1 x 2
- S2 x 2
- x 4
- x 2
- x 1
- x 1
- x 1
- x 1

5.8 mm

9.5 mm

26

- S2 x 4
- x 4
- x 1
- x 1
- x 1

9.5 mm

27

- S2 x 2
- x 2
- x 2
- x 1
- x 2

180°

9.5 mm

