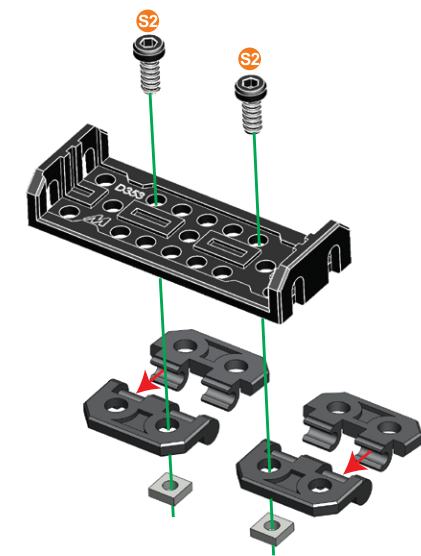


1

- 9,5 mm | 3/8" | x2
- x2
- x2
- x2
- x1

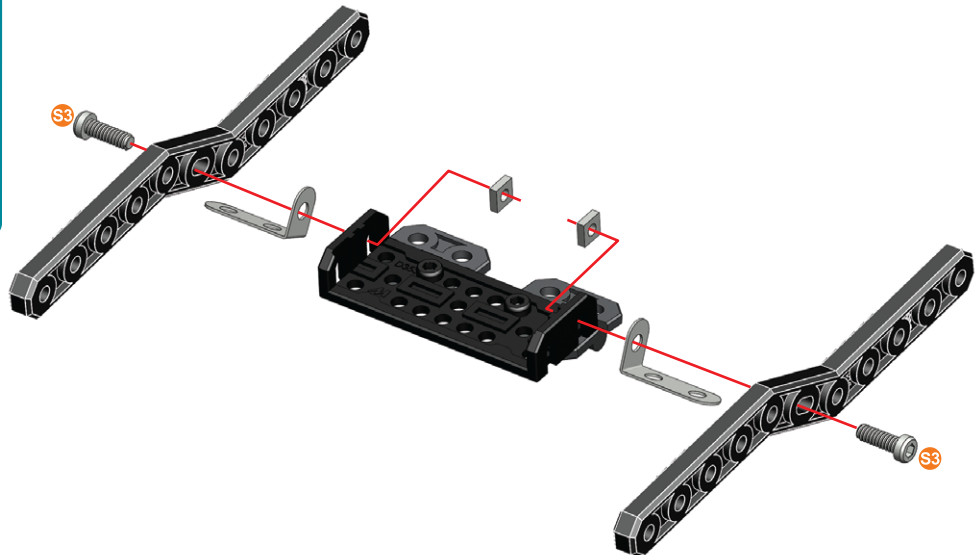
- 1:1



2

- 12 mm | 1/2" | x2
- x2
- x2
- x2

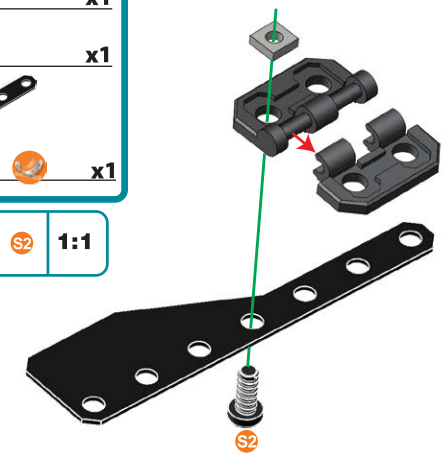
- 1:1



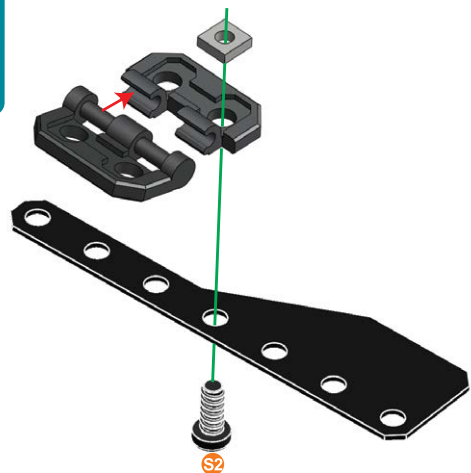
3

- 9,5 mm | 3/8" | x1
- x1
- x1
- x1
- x1

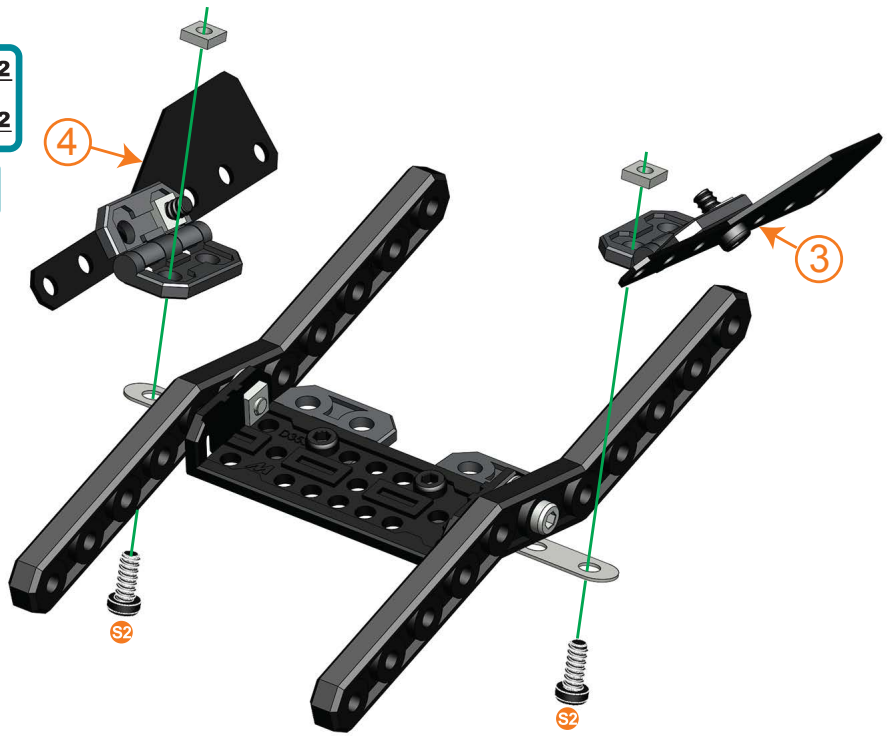
- 1:1



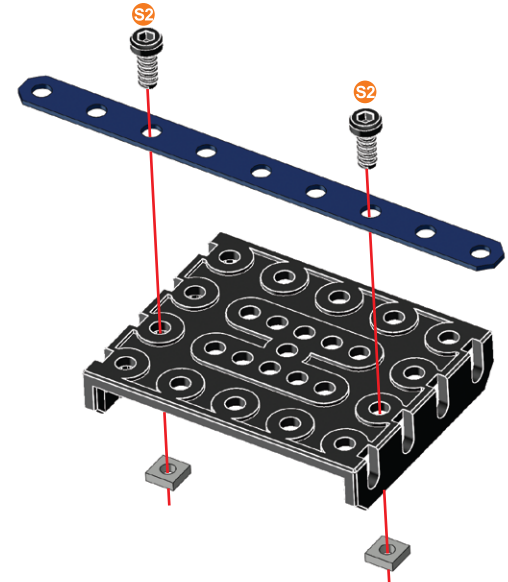
- 4**
- S2 | 9,5 mm | 3/8" | x1
 - x1
 - x1
 - x1
 - x1
 - S2 | 1:1



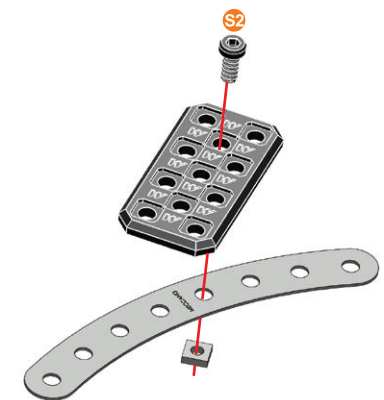
- 5** ③+④+
- S2 | 9,5 mm | 3/8" | x2
 - x2
 - S2 | 1:1





- 6**
- S2 | 9,5 mm | 3/8" | x2
 - x2
 - x1
 - x1
 - S2 | 1:1




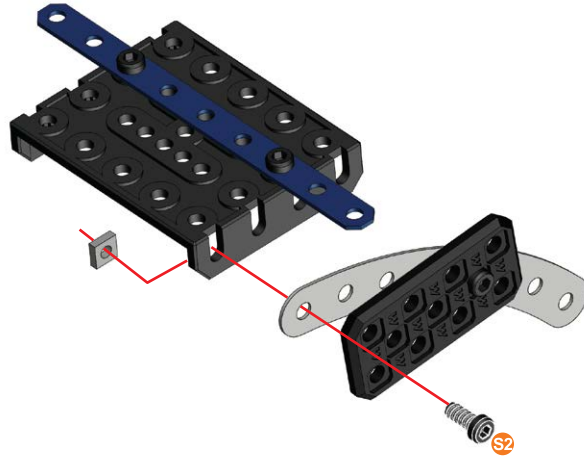
- 7**
- S2 | 9,5 mm | 3/8" | x1
 - x1
 - x1
 - x1
 - S2 | 1:1







8 ⑥+⑦+


	9.5 mm 3/8"	x1
		x1

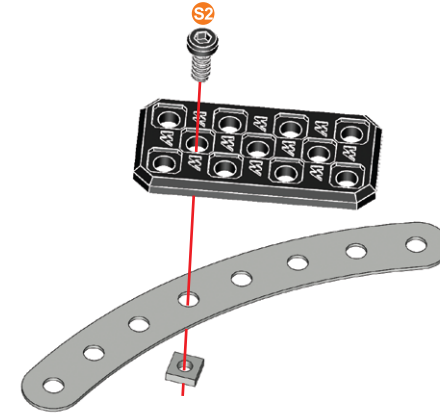
	1:1
---	-----





9


	9.5 mm 3/8"	x1
		x1
		x1
		x1


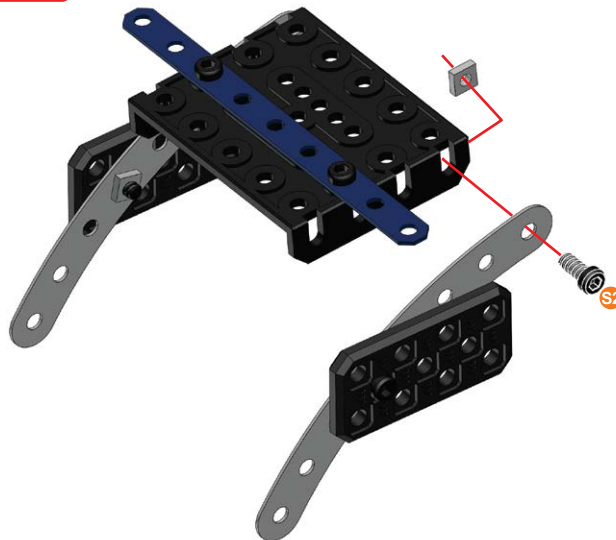
	1:1
---	-----







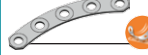
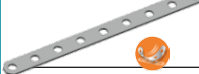
10 ⑧+⑨+



	9.5 mm 3/8"	x1
		x1

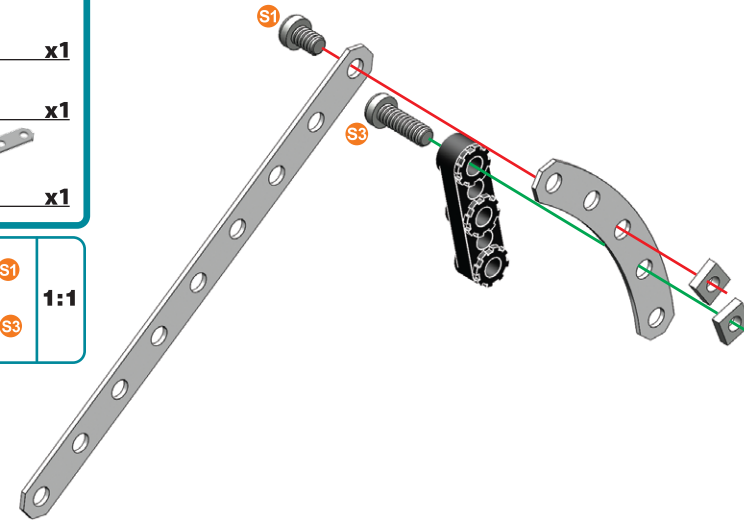
	1:1
--	-----

11

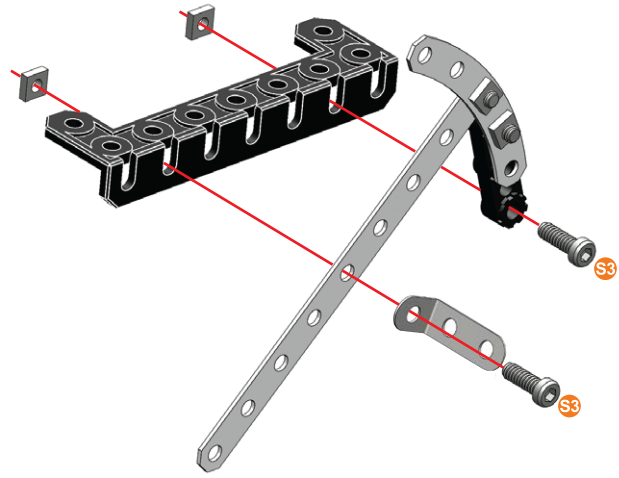
	5.8 mm 15/64"	x1
	12 mm 1/2"	x1
		x2
		x1
		x1
		x1

	S1	1:1
	S3	



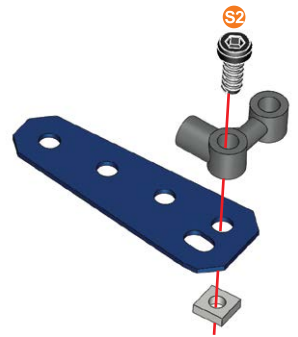
12

- 12 mm | 1/2" | x2
- x2
- x1
- x1
- 1:1



13

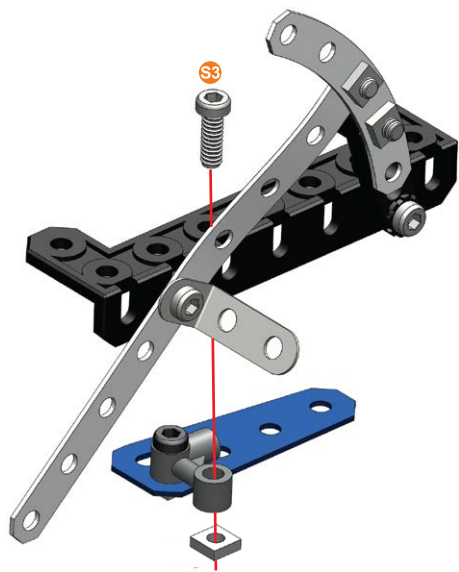
- 9.5 mm | 3/8" | x1
- x1
- x1
- x1
- 1:1



14

⑩+⑬+

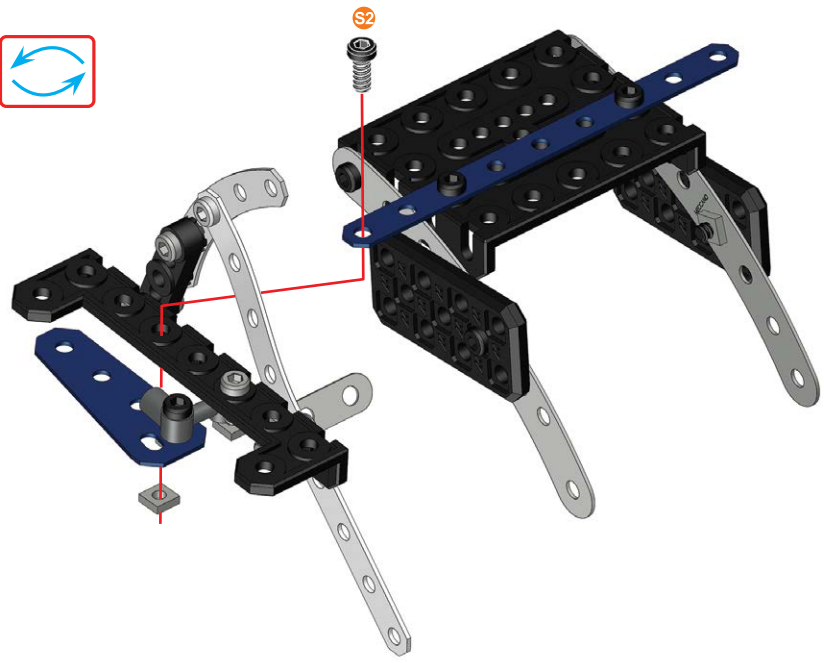
- 12 mm | 1/2" | x1
- x1
- 1:1



15

⑩+⑭+

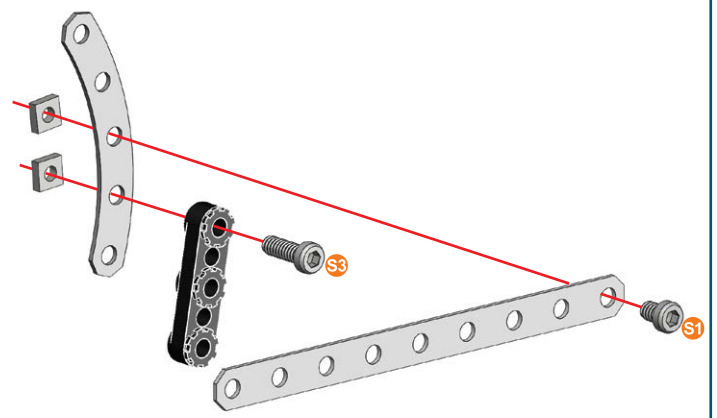
- 9.5 mm | 3/8" | x1
- x1
- 1:1



16

- 5.8 mm | 15/64" | x1
- 12 mm | 1/2" | x1
- x2
- x1
- x1
- x1

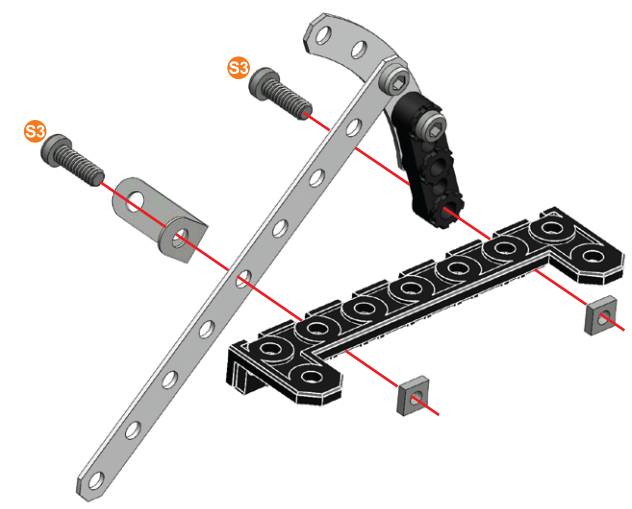
- x1
- x1



17

- 12 mm | 1/2" | x2
- x2
- x1
- x1

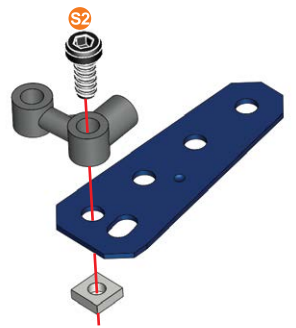
- x1



18

- 9.5 mm | 3/8" | x1
- x1
- x1
- x1

- x1

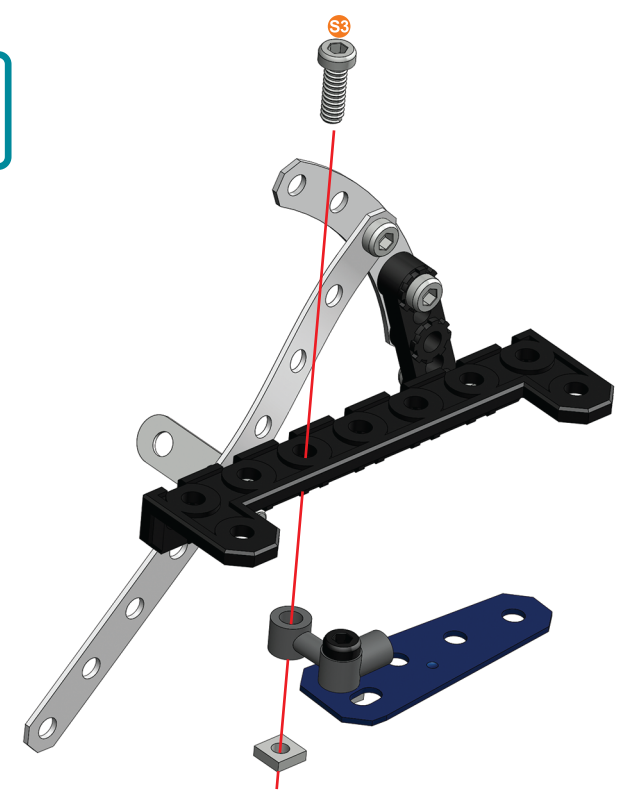


19



17+18+


- 12 mm | 1/2" | x1
- x1

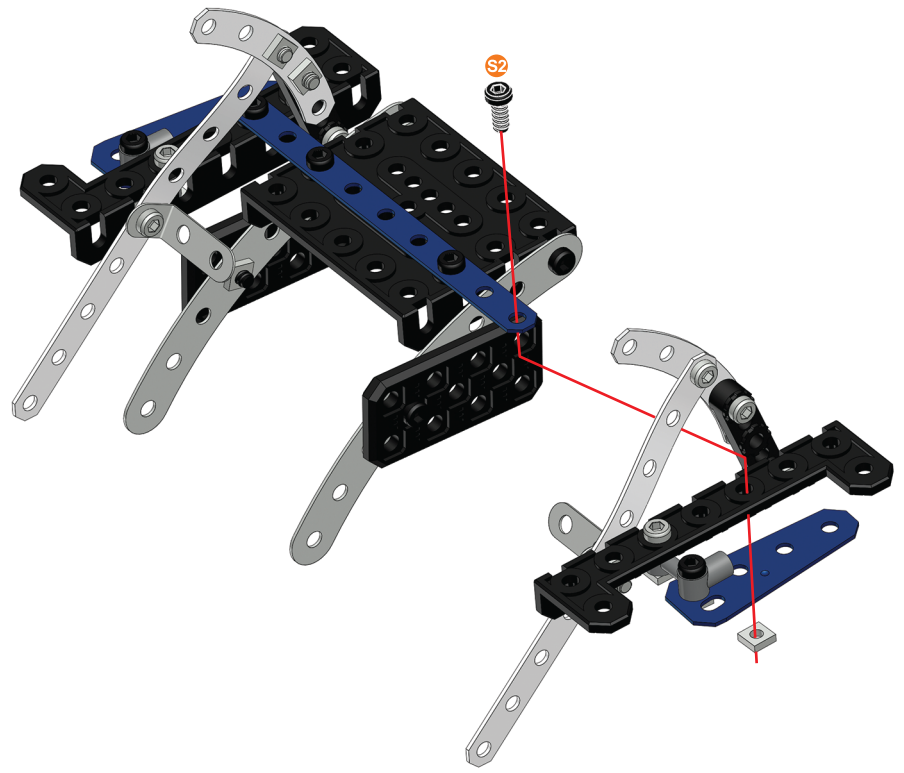
- x1





20 (15+19+)


	9.5 mm 3/8"	x1
		x1

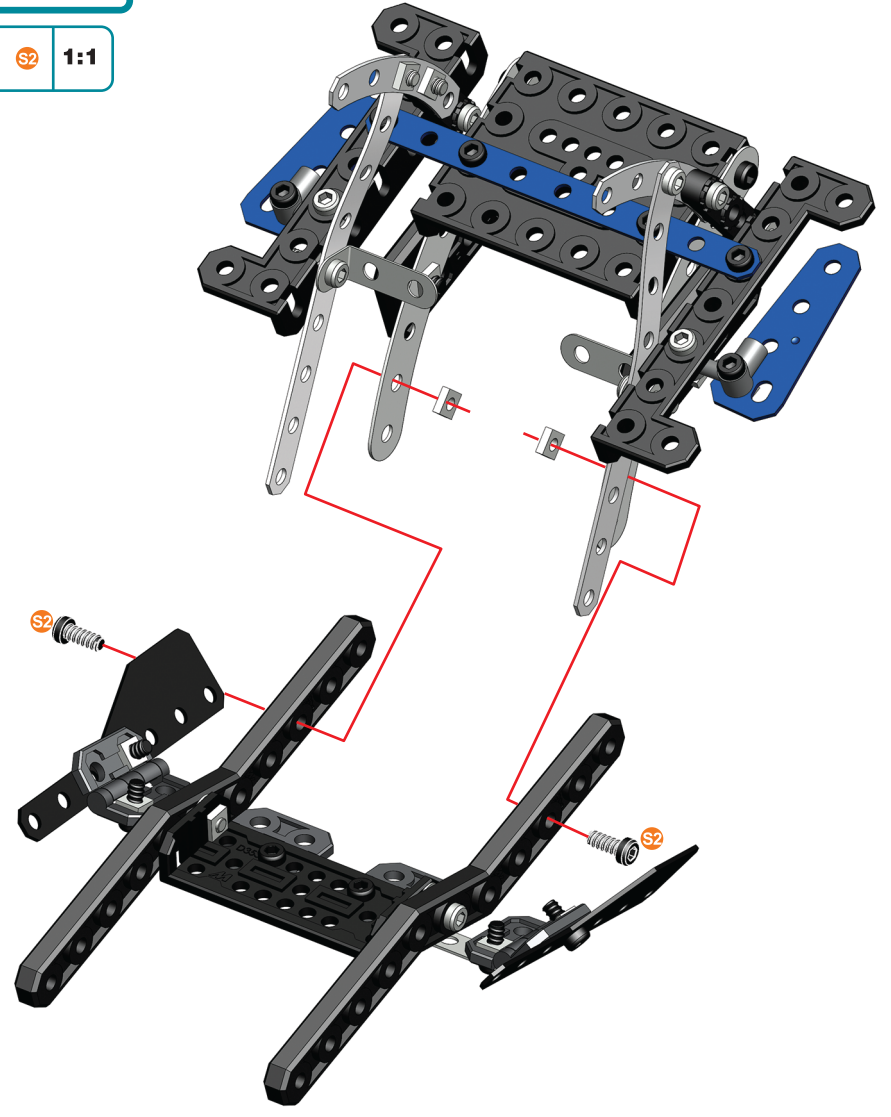
	1:1
---	-----




21 (5+20+)

	9.5 mm 3/8"	x2
		x2

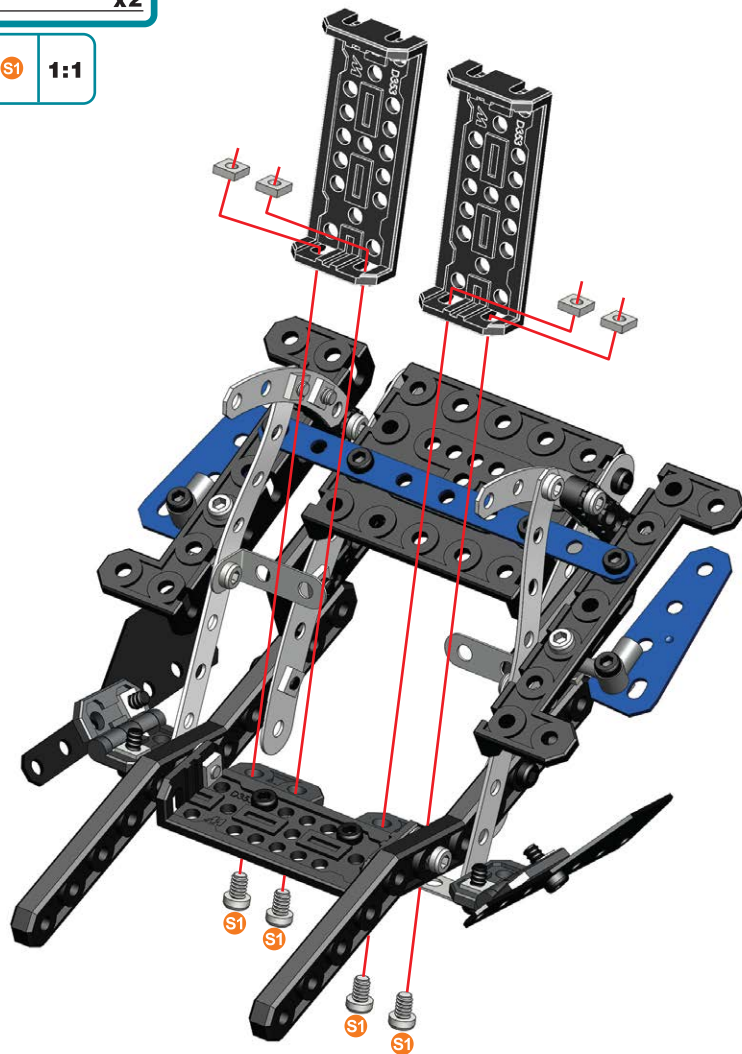
	1:1
---	-----





22

-  S1 | 5.8 mm | x4
15/64"
-  x4
-  x2

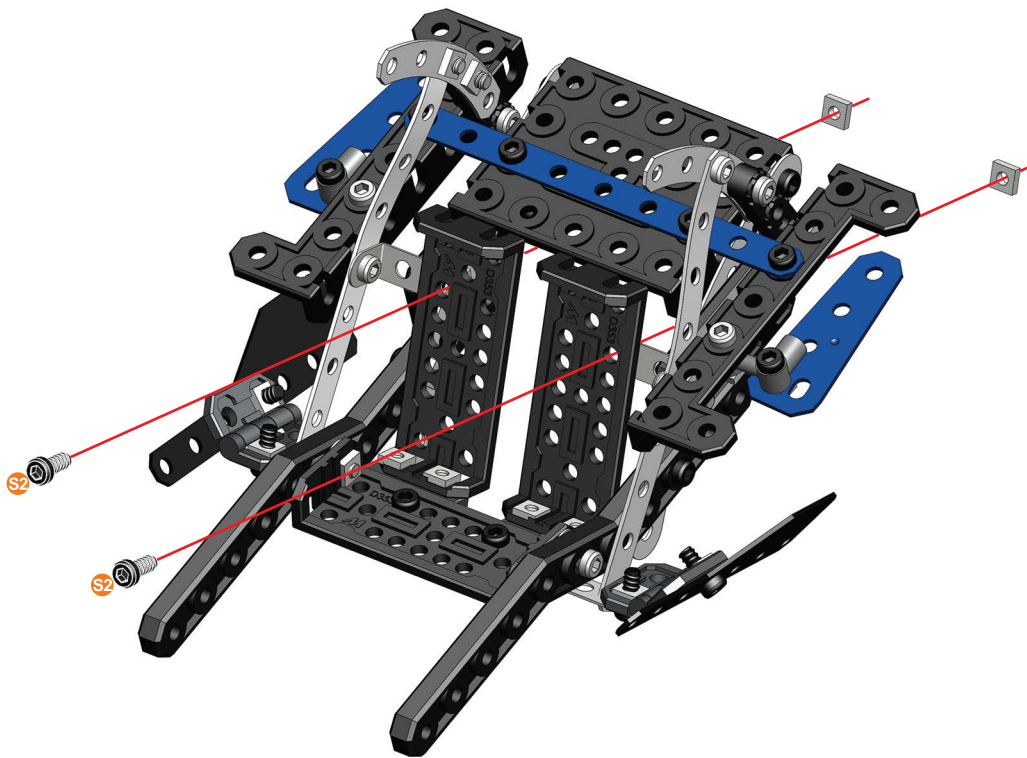
-  S1 | 1:1







23

-  S2 | 9.5 mm | x2
3/8"
-  x2

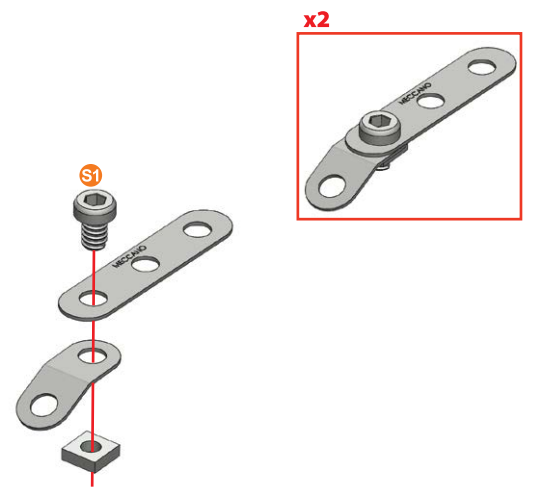
-  S2 | 1:1






24

-  S1 | 5,8 mm | 15/64" | x2
-  x2
-  x2
-  x2

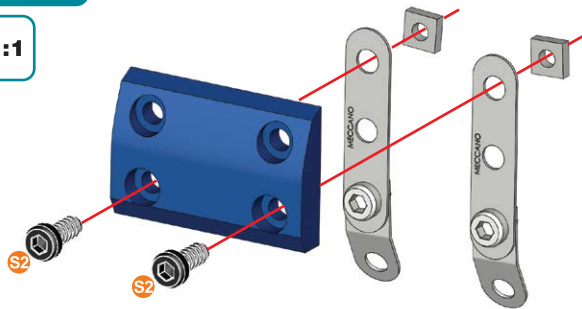
-  S1 | 1:1






25

-  S2 | 9,5 mm | 3/8" | x2
-  x2
-  x1

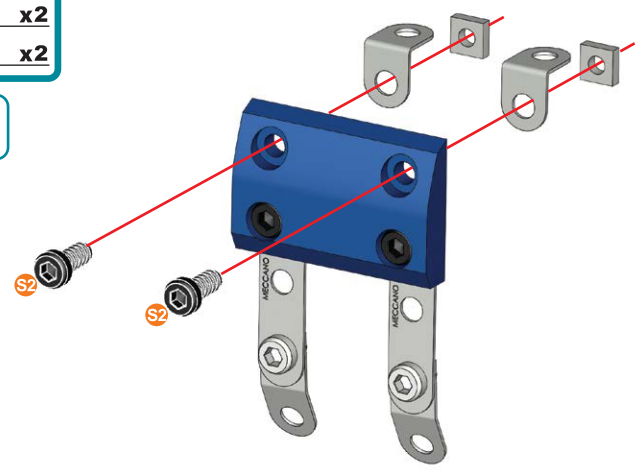
-  S2 | 1:1






26

-  S2 | 9,5 mm | 3/8" | x2
-  x2
-  x2

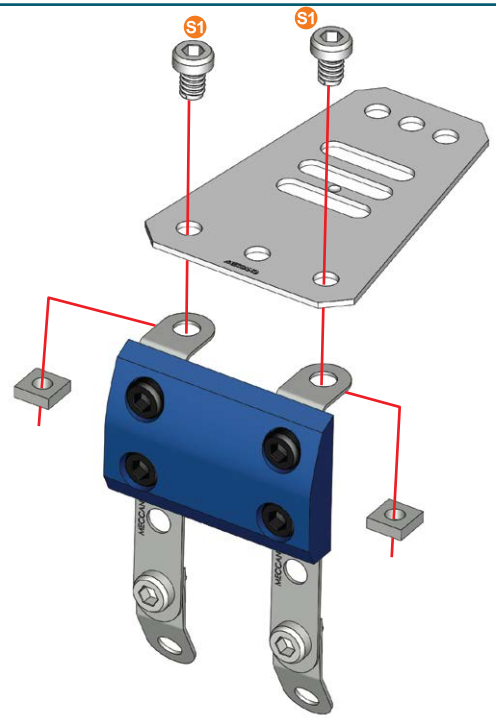
-  S2 | 1:1



27

-  S1 | 5,8 mm | 15/64" | x2
-  x2
-  x1

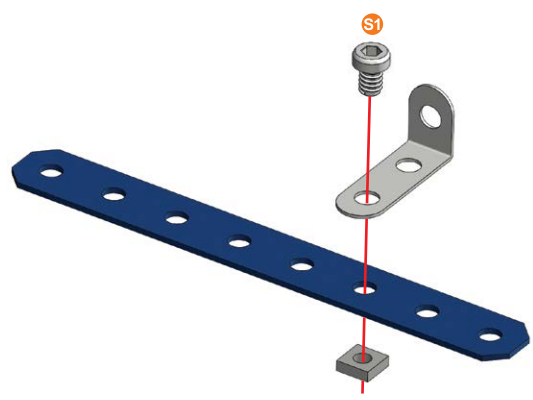
-  S1 | 1:1



28

- 5.8 mm | 15/64" | x1
- x1
- x1
- x1

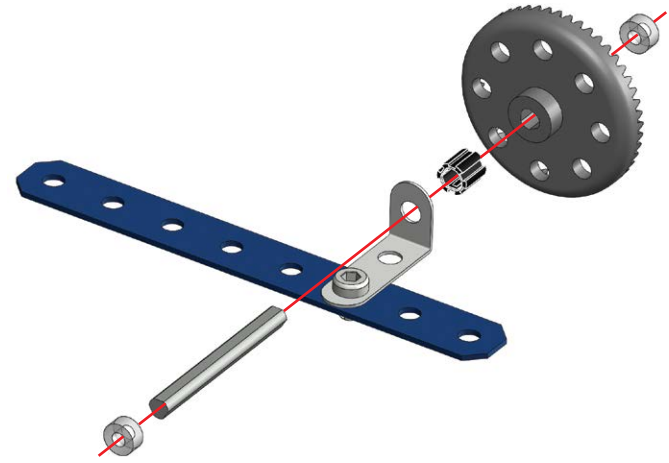
- S1 | 1:1



29

- x1
- x2
- x1
- 40 mm | 1 9/16" | x1

- 1:1

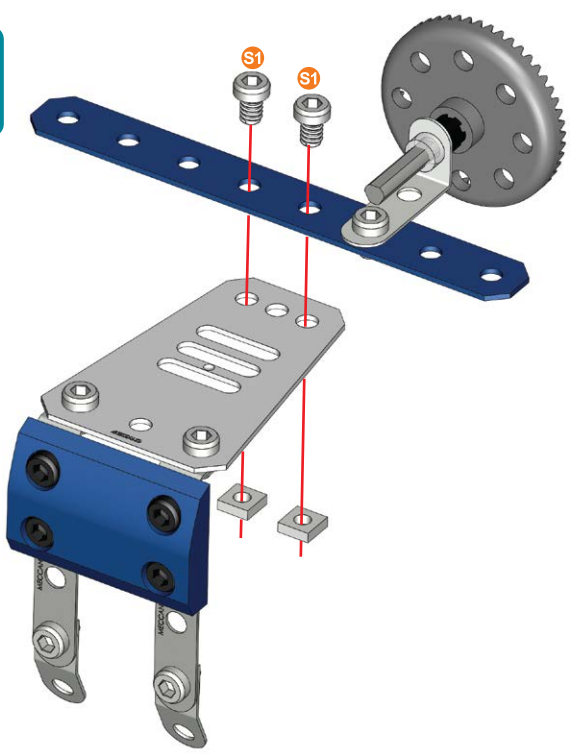


30

27+29+

- 5.8 mm | 15/64" | x2
- x2

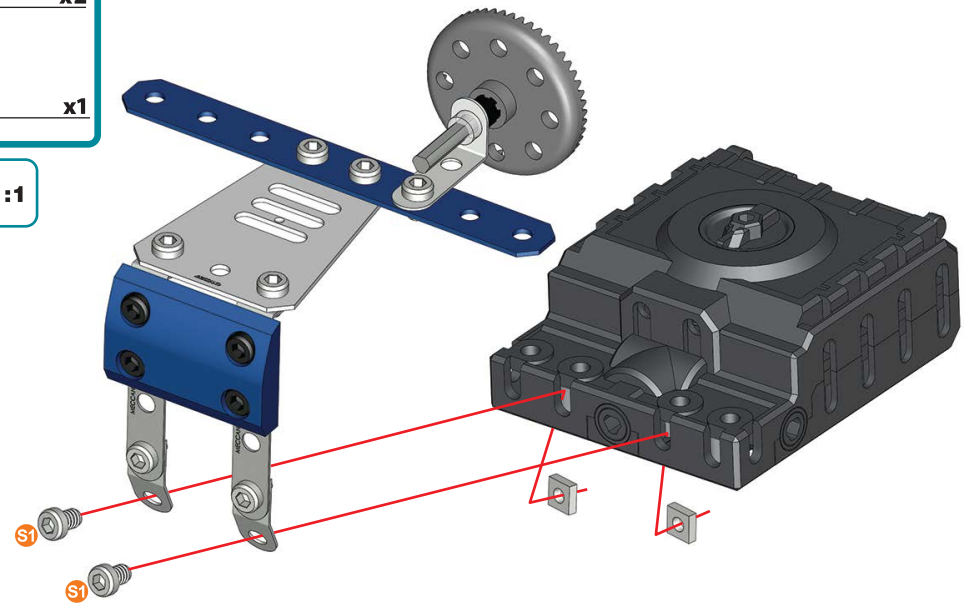
- S1 | 1:1








31

- 5.8 mm | 15/64" | x2
- x2
- x1

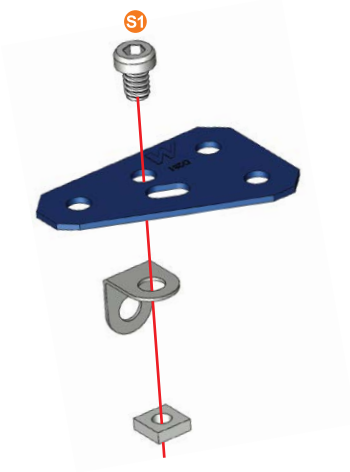
- S1 | 1:1







32

	5.8 mm 15/64"	x1
		x1
		x1
		x1

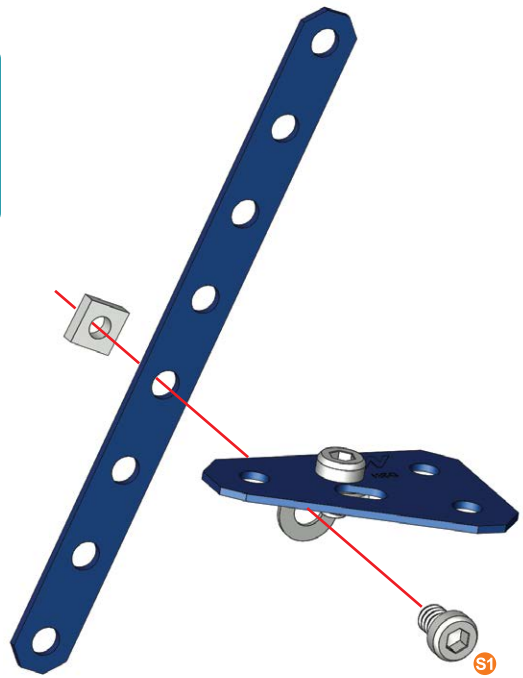
	S1	1:1
---	----	-----



33




	5.8 mm 15/64"	x1
		x1
		x1

	S1	1:1
---	----	-----

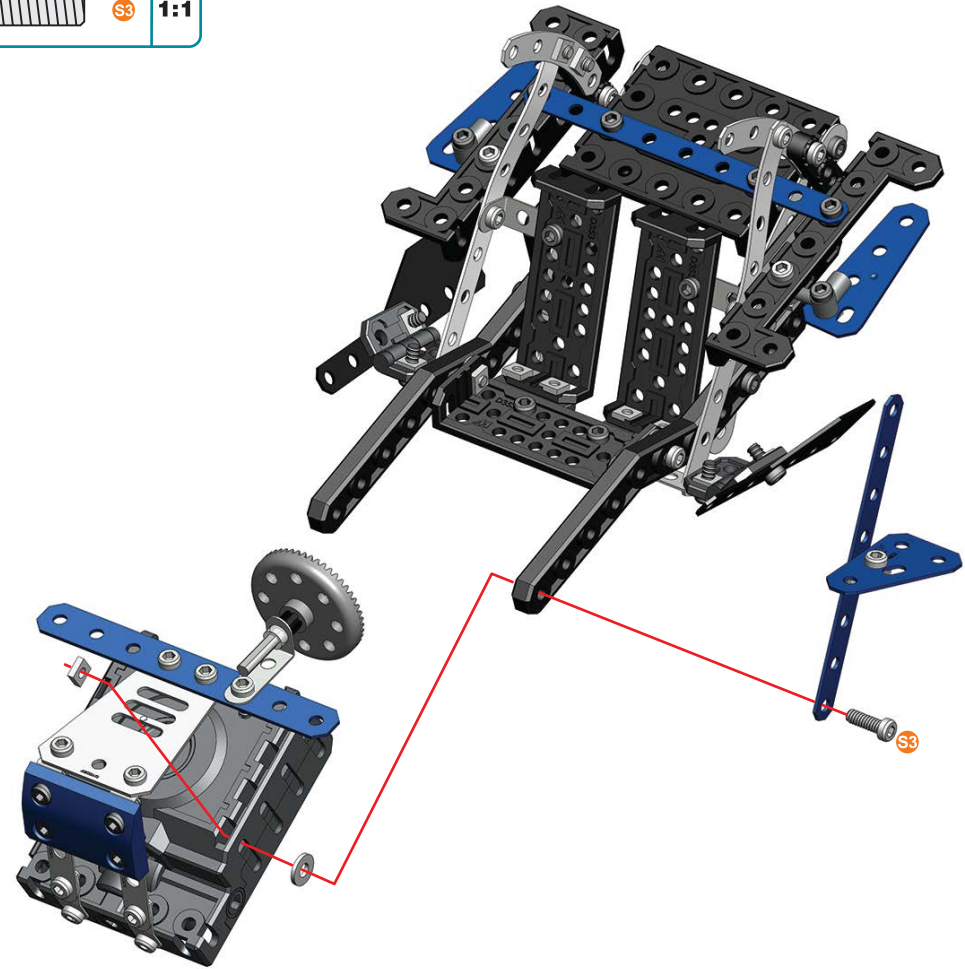


34





23+31+33+

	12 mm 1/2"	x1
		x1
		x1

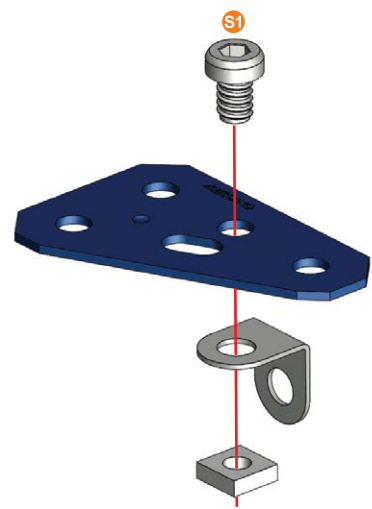
	S3	1:1
---	----	-----





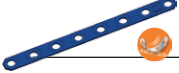
35

	5.8 mm 15/64"	x1
		x1
		x1
		x1

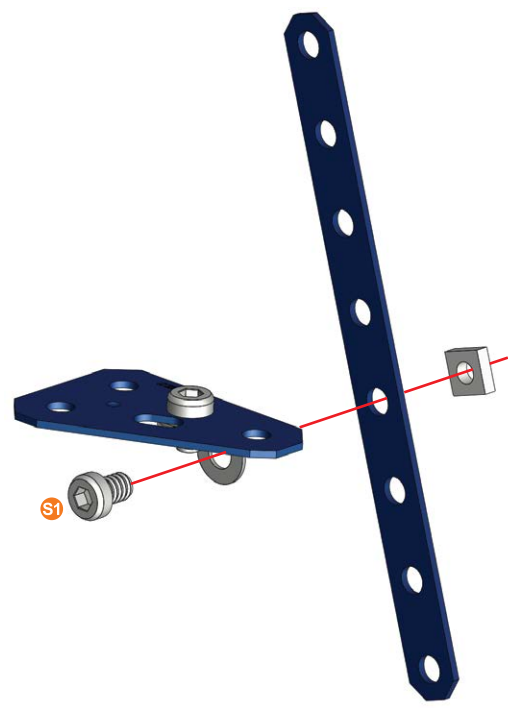
	S1	1:1
---	----	-----



36




	5.8 mm 15/64"	x1
		x1
		x1

	S1	1:1
---	----	-----

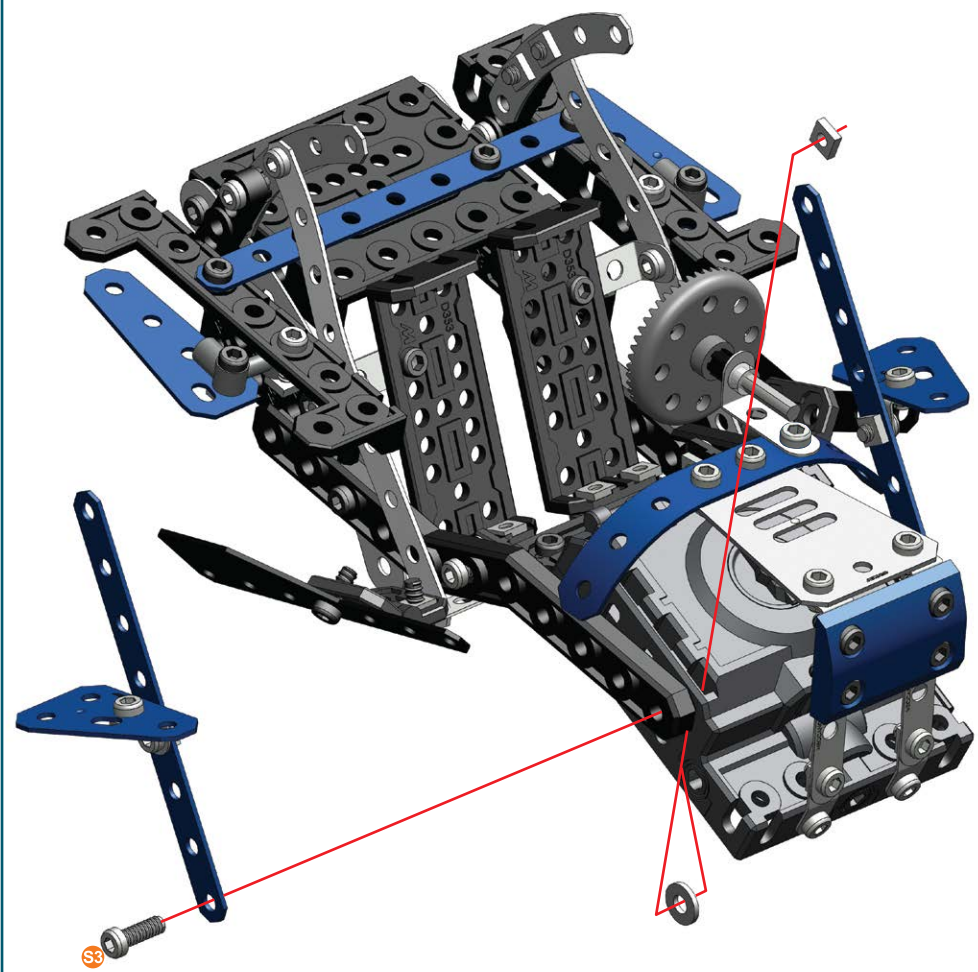


37

34+36+

	12 mm 1/2"	x1
		x1
		x1

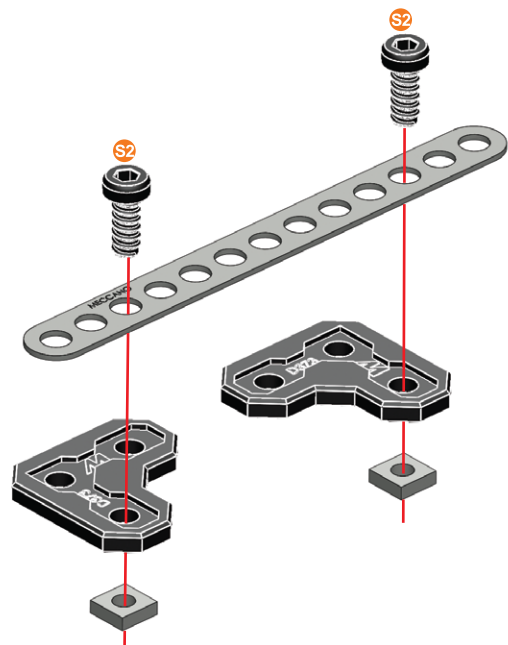
	S3	1:1
---	----	-----



38

- 9.5 mm | 3/8" | x2
- x2
- x2
- x1

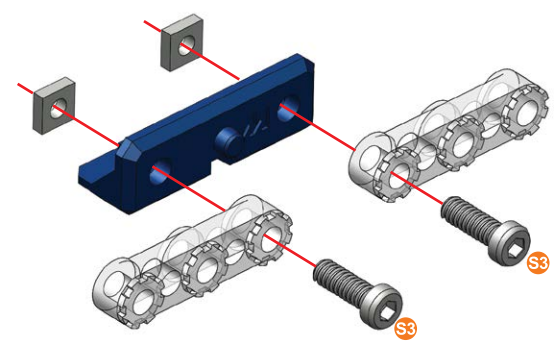
- 1:1



39

- 12 mm | 1/2" | x2
- x2
- x2
- x1

- 1:1

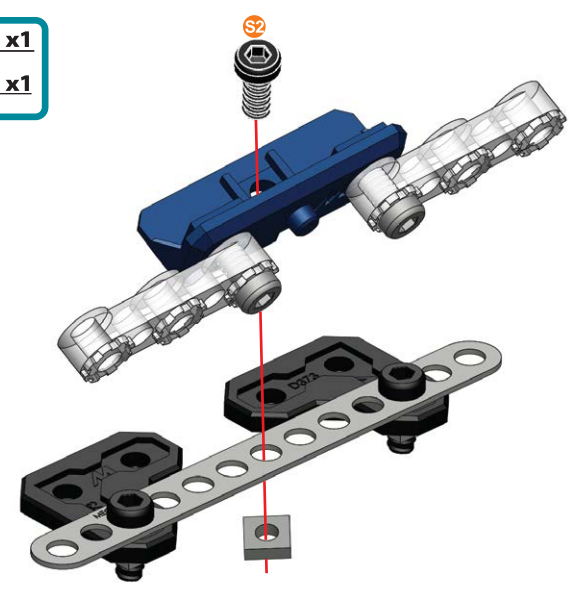


40

(38)+(39)+

- 9.5 mm | 3/8" | x1
- x1

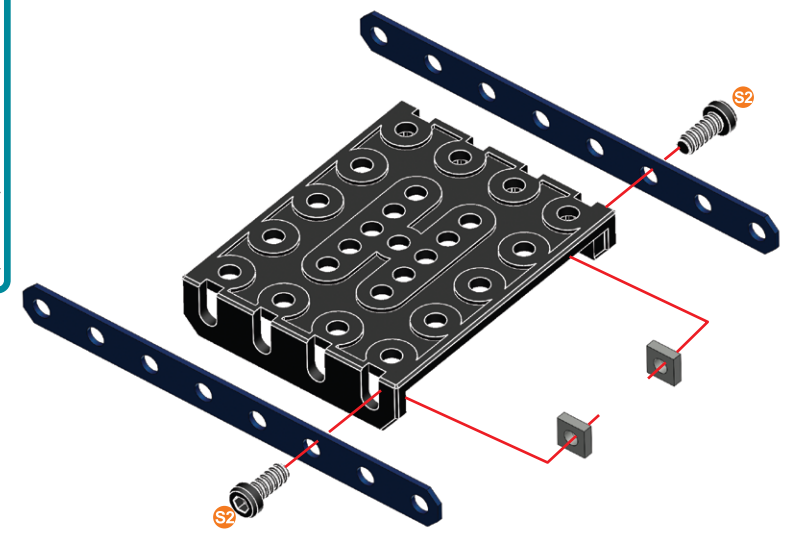
- 1:1





41


- 9.5 mm | 3/8" | x2
- x2
- x1
- x1

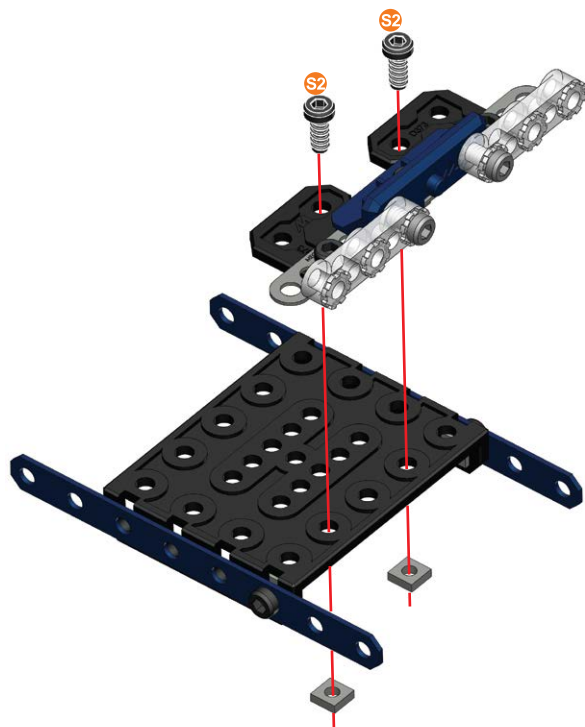
- 1:1





42 (40+41+)


	S2	9,5 mm	x2
		3/8"	
			x2

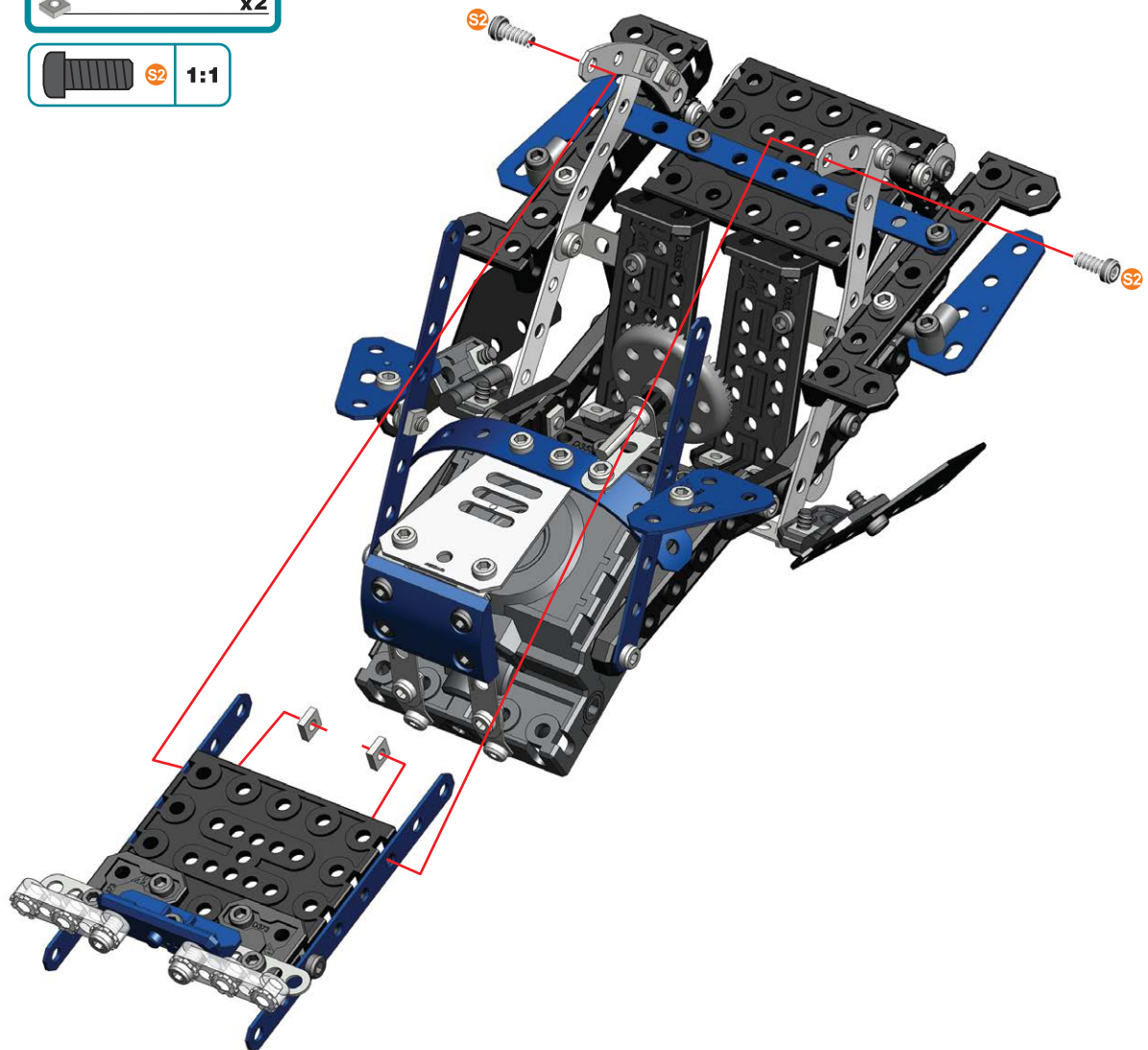
	S2	1:1
---	----	-----





43 (37+42+)

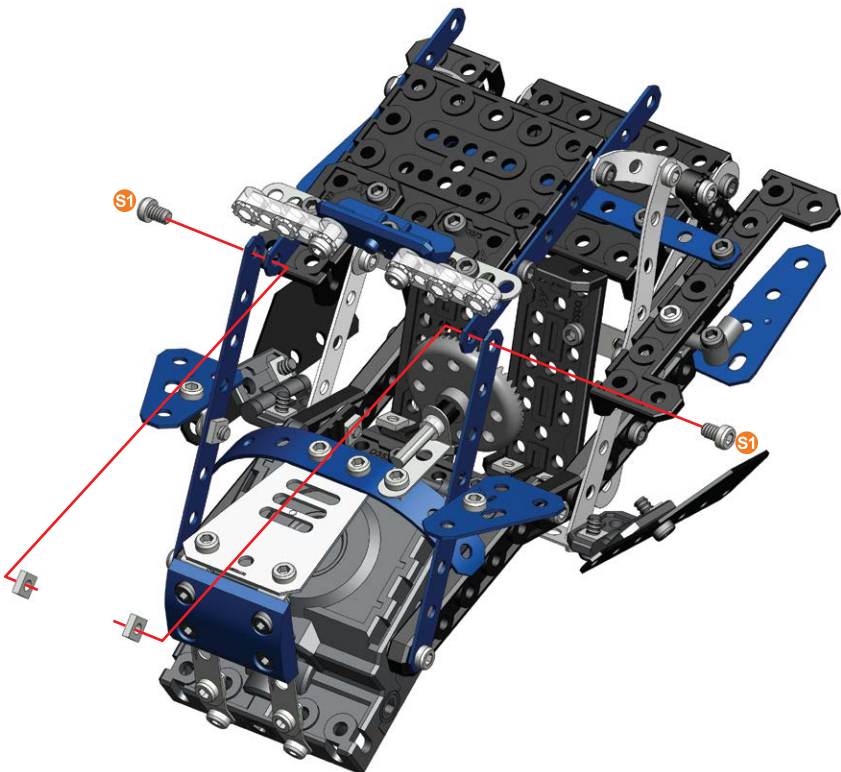
	S2	9,5 mm	x2
		3/8"	
			x2

	S2	1:1
---	----	-----




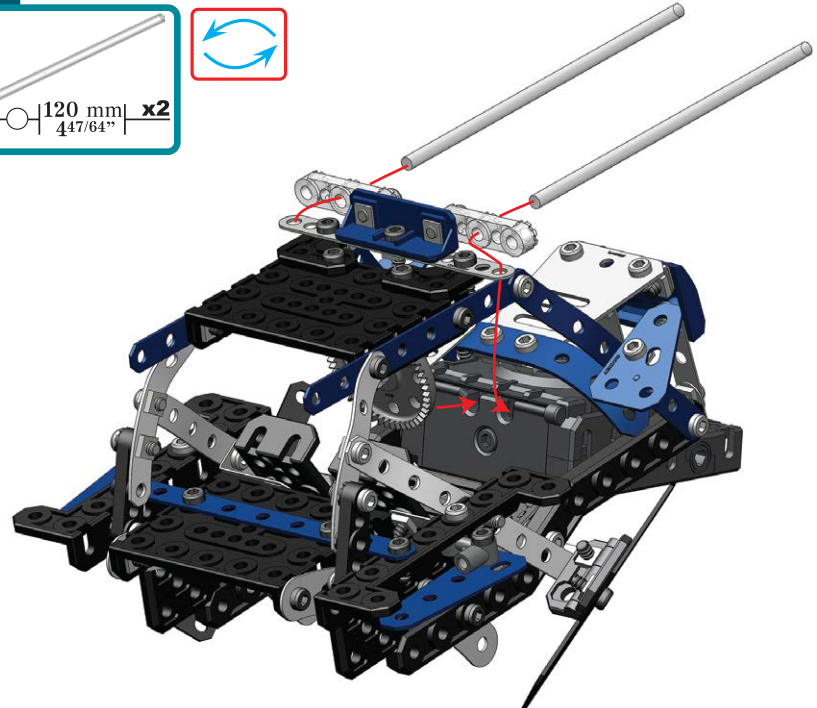
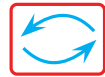
44

-  **S1** | 5.8 mm | 15/64" | **x2**
-  | **x2**







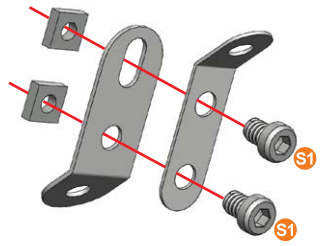
45

-  | 120 mm | 4 47/64" | **x2**









46

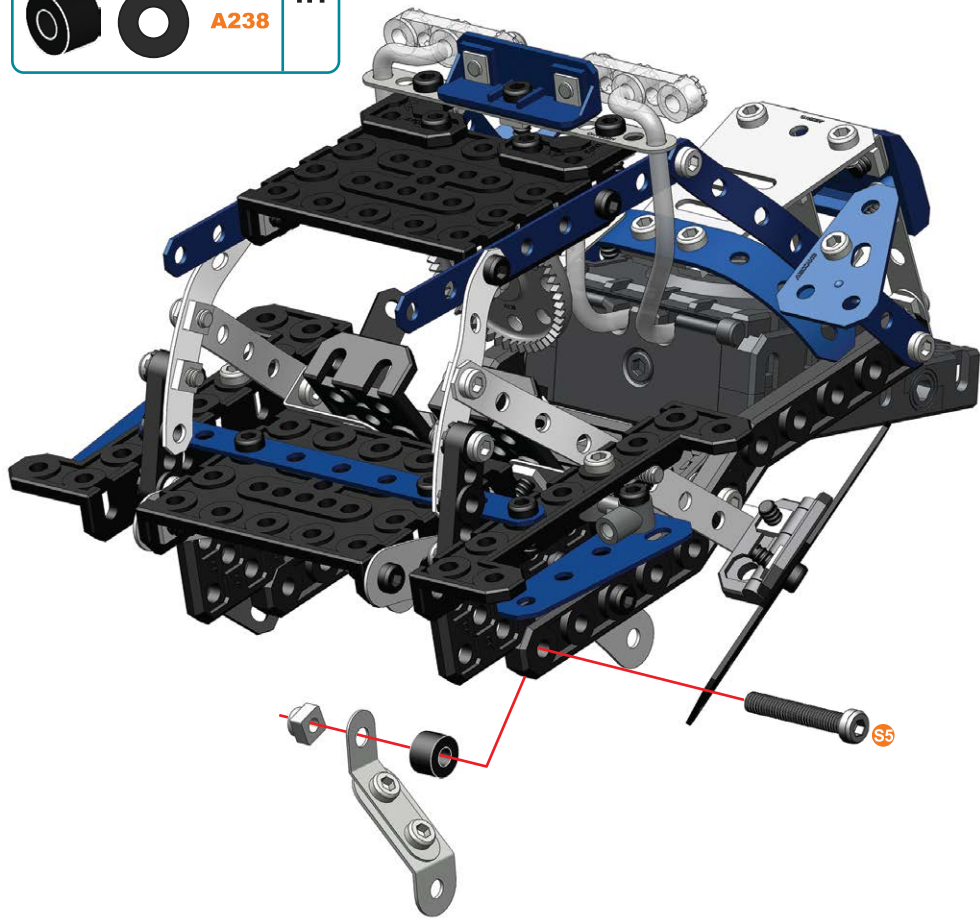
-  **S1** | 5.8 mm | 15/64" | **x4**
-  | **x4**
-  | **x2**
-  | **x2**






47 (45)+(46)+

	S5 25.4 mm 1" x1
	x1
	x1

	S5	
		A238
1:1		

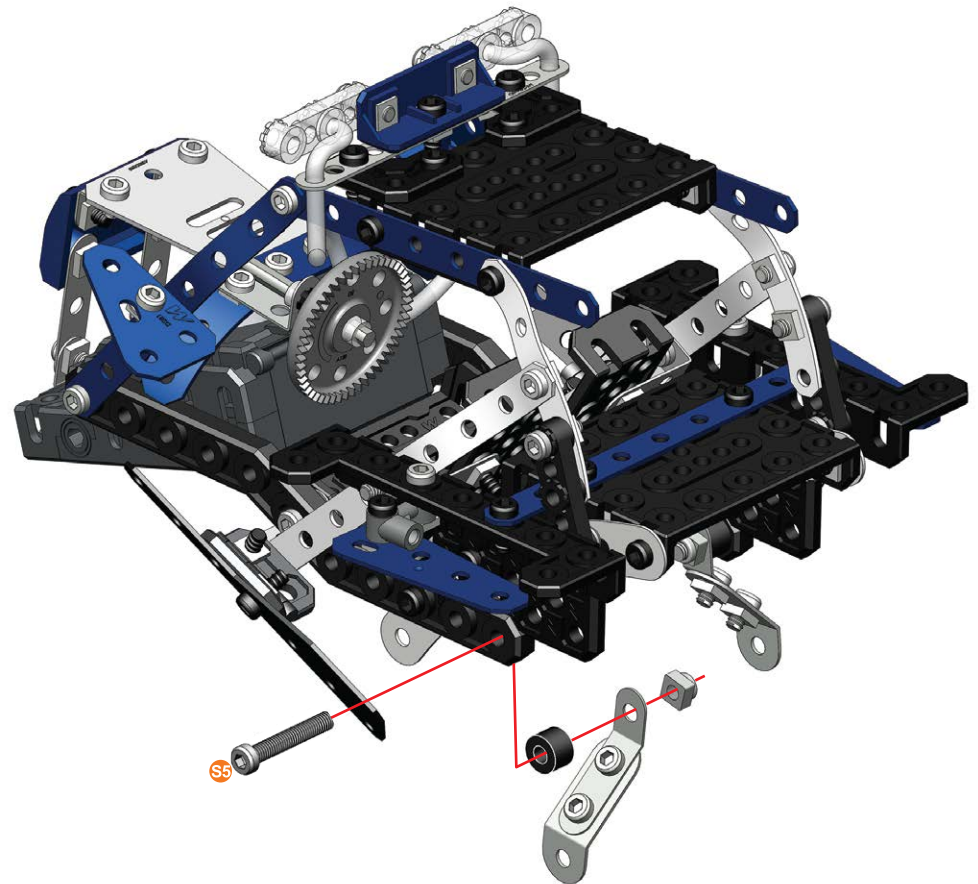


48 (46)+(47)+

	S5 25.4 mm 1" x1
	x1
	x1



	S5	
		A238
1:1		



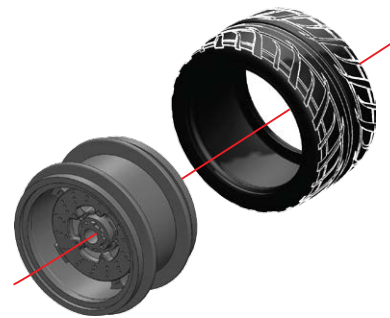
49



x2

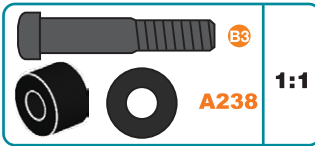


x2



50

48+49+



51 (49+50+)

- 23 mm | x1
- x1
- x1

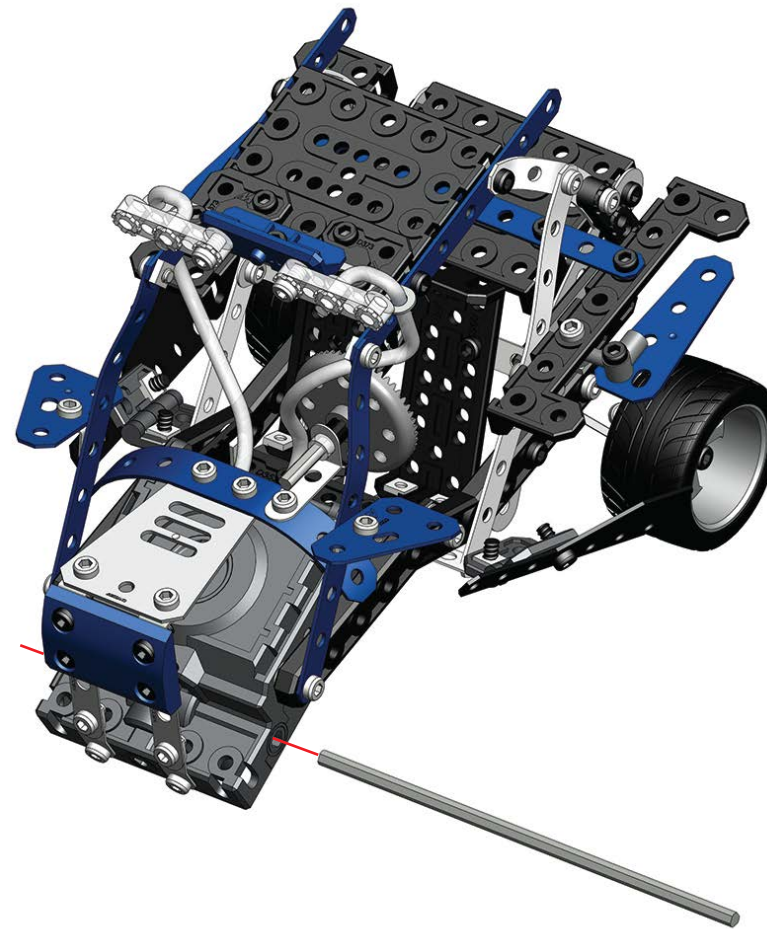


- B3**
- A238**
- 1:1**







52 (49+51+)

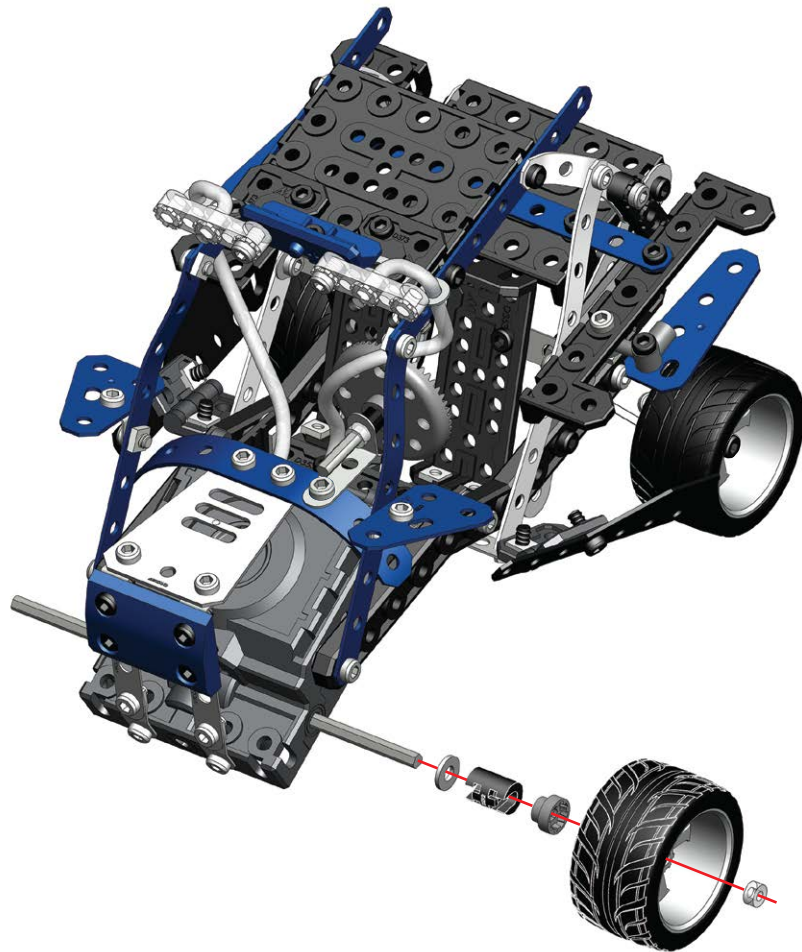
- 130 mm | x1



53





49+52+

	x1
	x1
	x1
	x1



54

49+53+

	x1
	x1
	x1
	x1

