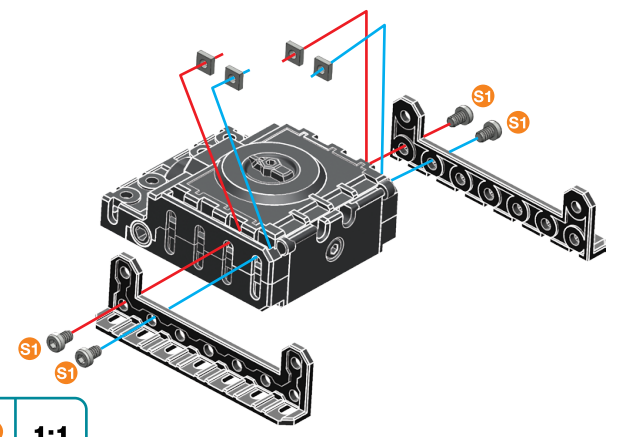
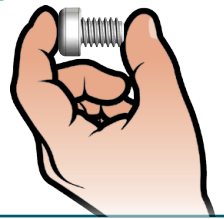


1

- S1** | 5,8 mm | **x4**
15/64"
- S1** | **x4**
- x2**
- x1**

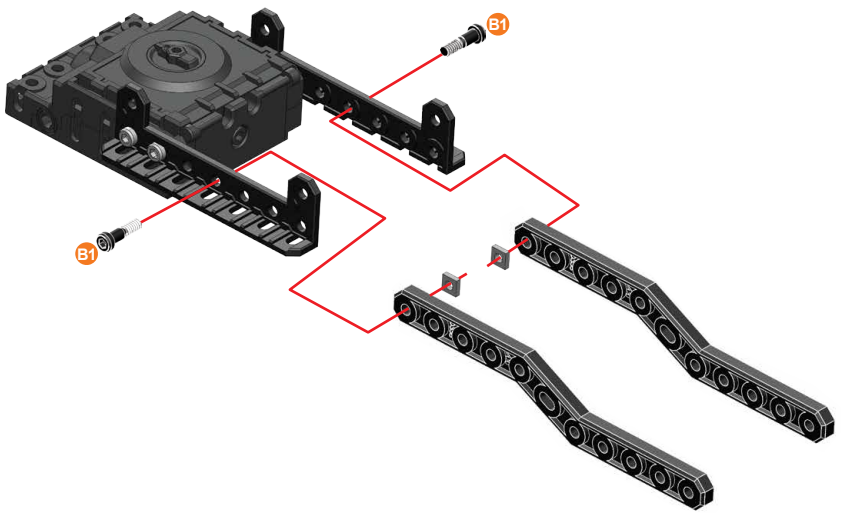
- S1** | **1:1**



2

- B1** | 14,7 mm | **x2**
37/64"
- B1** | **x2**
- x2**

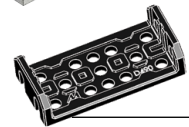
- B1** | **1:1**



3

S3 | 12 mm | x2
1/2"

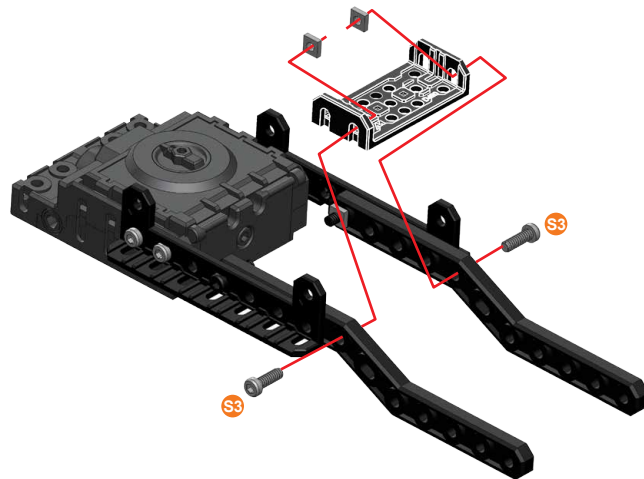
x2



x1



S3 | 1:1



4

S2 | 9.5 mm | x4
3/8"

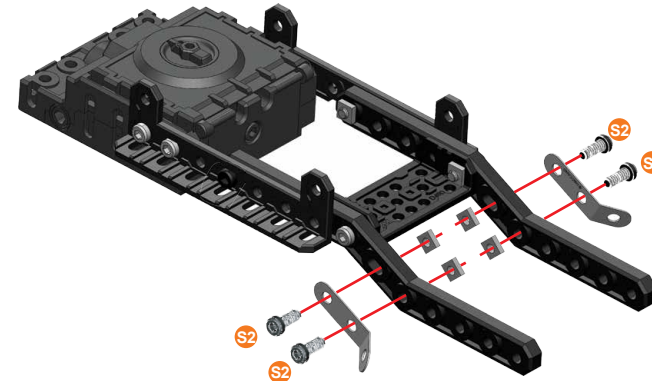
x4



x2



S2 | 1:1



5

S3 | 12 mm | x4
1/2"

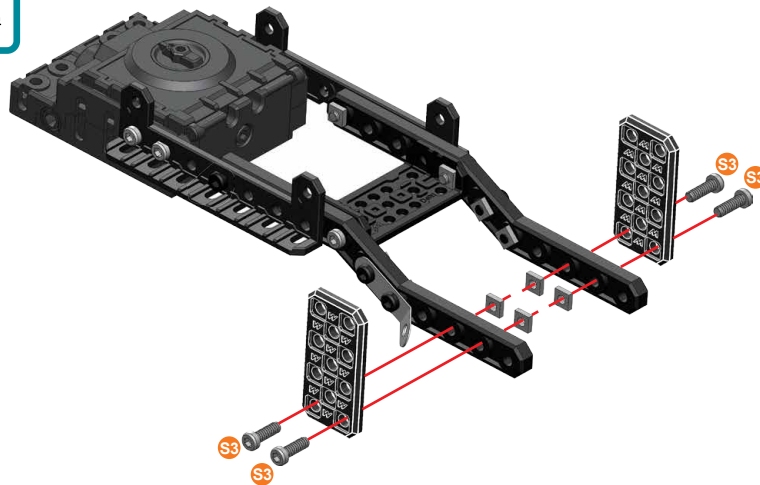
x4



x2



S3 | 1:1



6

S2 | 9.5 mm | x2
3/8"

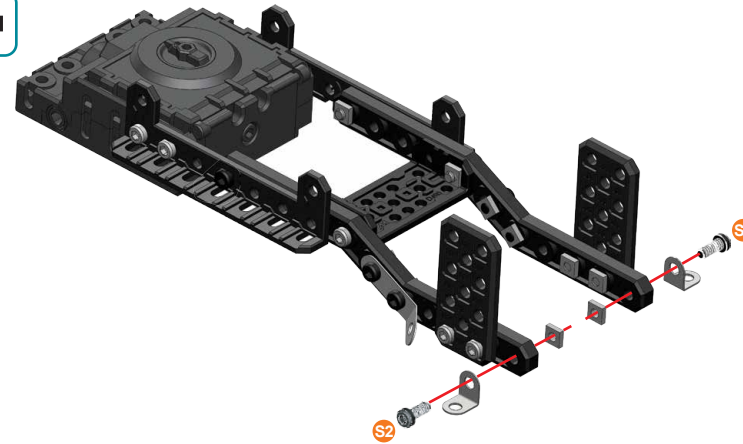
x2








x2

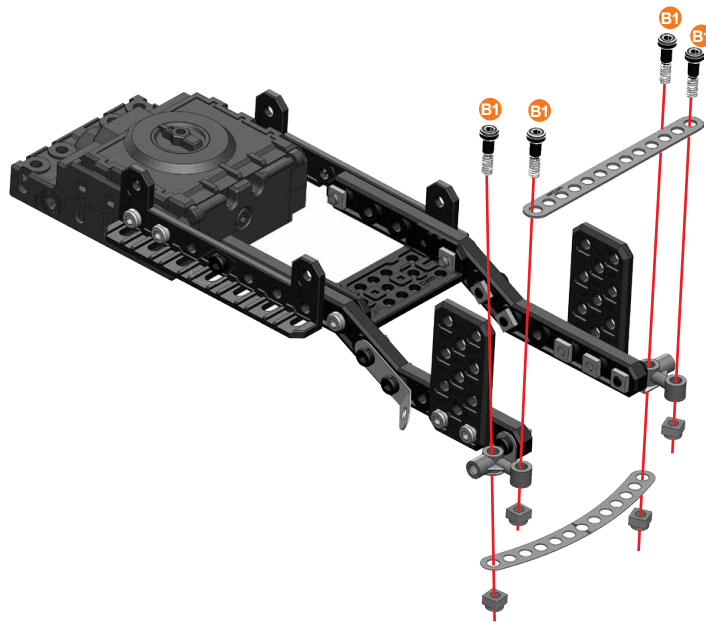





S2 | 1:1



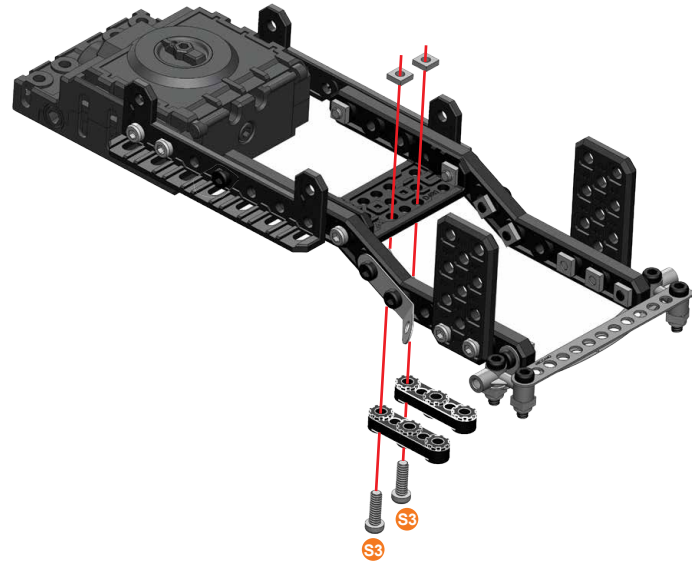
- 7**
-  **B1** | 14.7 mm | 37/64" | **x4**
 -  **B1** | **x4**
 -  **B1** | **x2**
 -  **x1**
 -  **x1**






-  **B1** | **1:1**



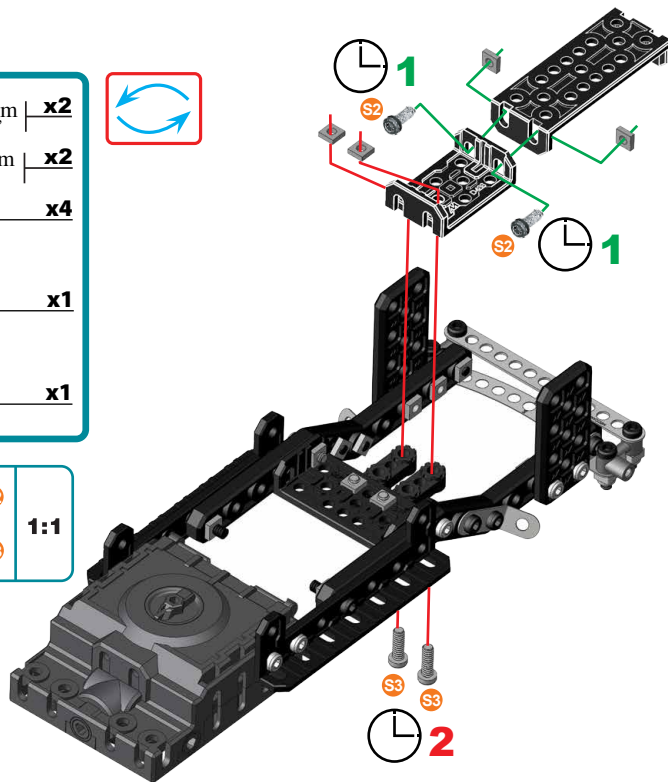
- 8**
-  **S3** | 12 mm | 1/2" | **x2**
 -  **S3** | **x2**
 -  **S3** | **x2**







-  **S3** | **1:1**



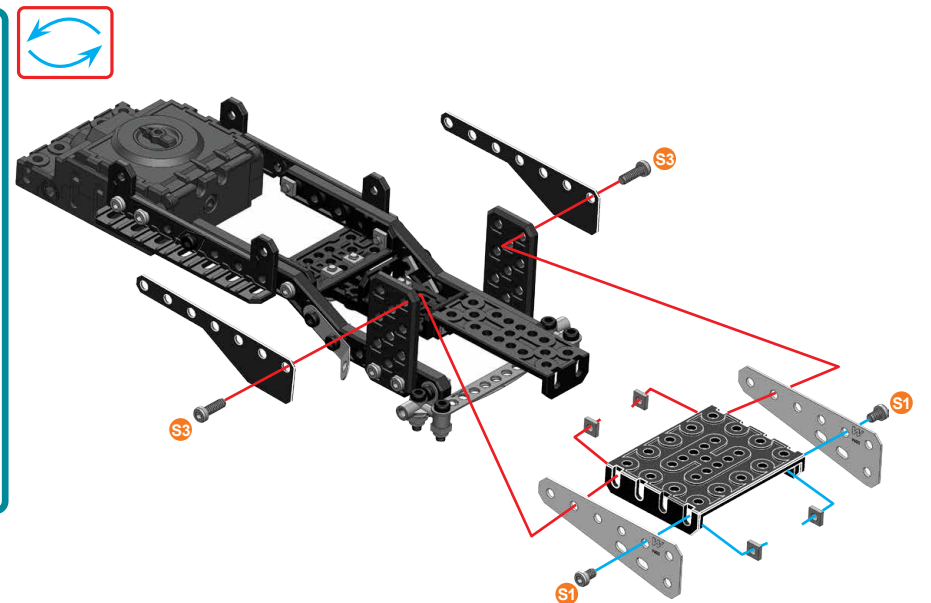
- 9**
-  **S2** | 9.5 mm | 3/8" | **x2**
 -  **S3** | 12 mm | 1/2" | **x2**
 -  **S3** | **x4**
 -  **x1**
 -  **x1**

-  **S2** | **1:1**
-  **S3** | **1:1**











- 10**
-  **S1** | 5.8 mm | 15/64" | **x2**
 -  **S3** | 12 mm | 1/2" | **x2**
 -  **S3** | **x4**
 -  **x2**
 -  **x2**
 -  **x1**

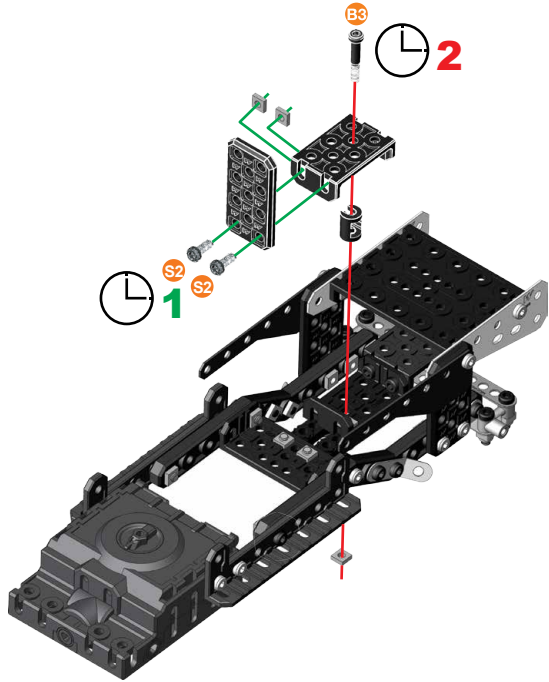
-  **S1** | **1:1**
-  **S3** | **1:1**





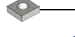


11



-  9.5 mm | 3/8" | **x2**
-  23 mm | 15/16" | **x1**
-  **x3**
-  **x1**
-  **x1**
-  **x1**

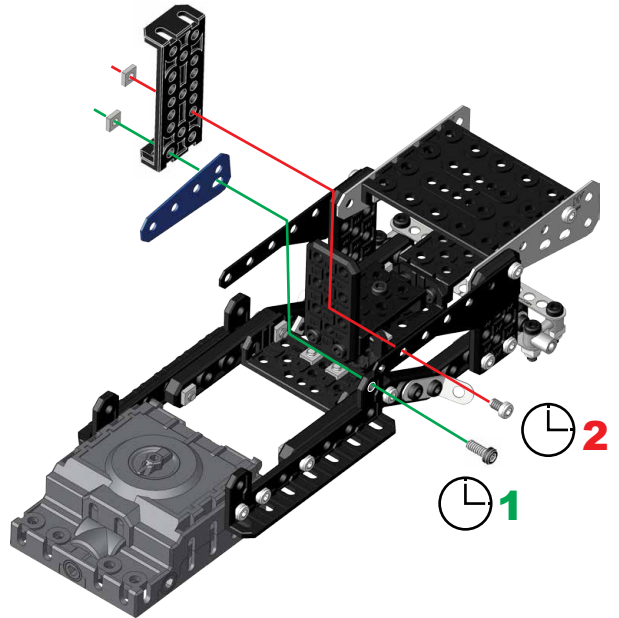
-  **S2**
 -  **B3**
- 1:1**








12



-  5.8 mm | 15/64" | **x1**
-  9.5 mm | 3/8" | **x1**
-  **x2**
-  **x1**
-  **x1**

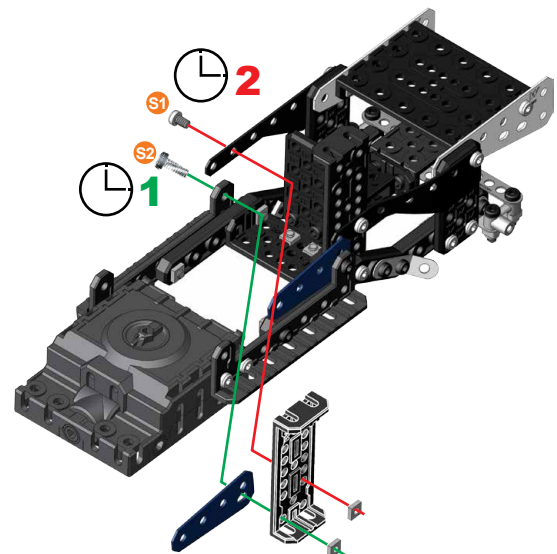
-  **S1**
 -  **S2**
- 1:1**




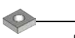


13

-  5.8 mm | 15/64" | **x1**
-  9.5 mm | 3/8" | **x1**
-  **x2**
-  **x1**
-  **x1**

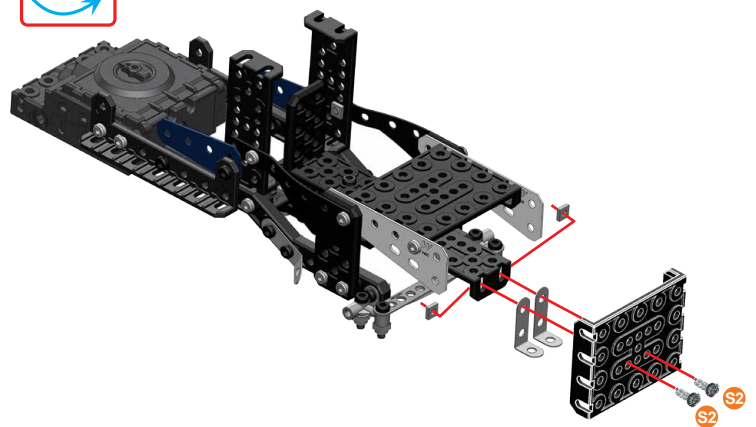
-  **S1**
 -  **S2**
- 1:1**




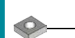

14

-  9.5 mm | 3/8" | **x2**
-  **x2**
-  **x2**
-  **x1**

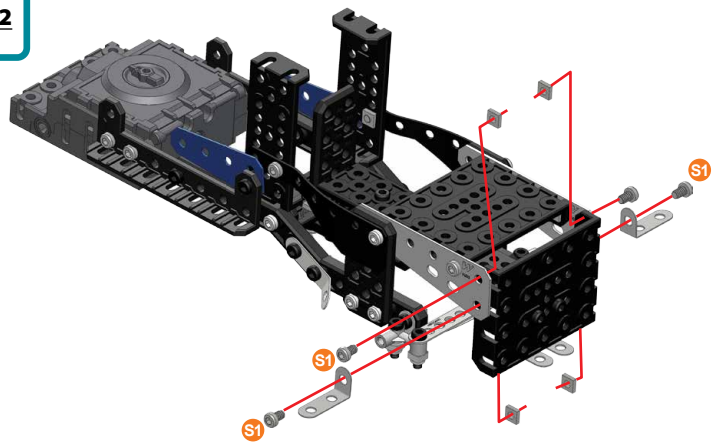
-  **S2**
- 1:1**






15

-  **S1** | 5.8 mm | 15/64" | **x4**
-  **x4**
-  **x2**

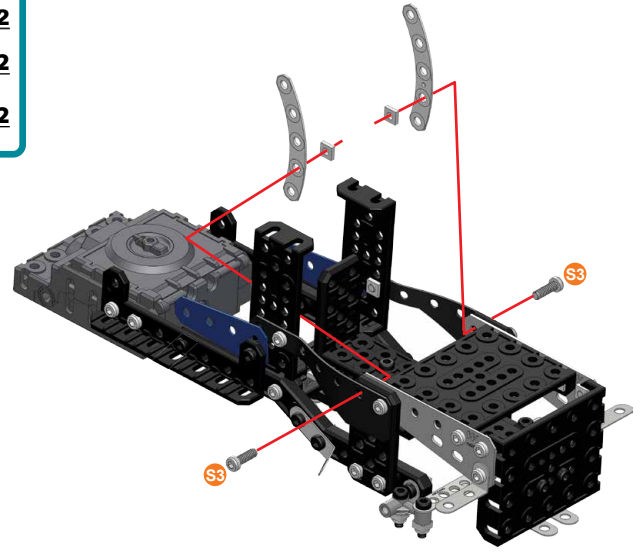
-  **S1** | **1:1**





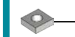




16



-  **S3** | 12 mm | 1/2" | **x2**
-  **x2**
-  **x2**

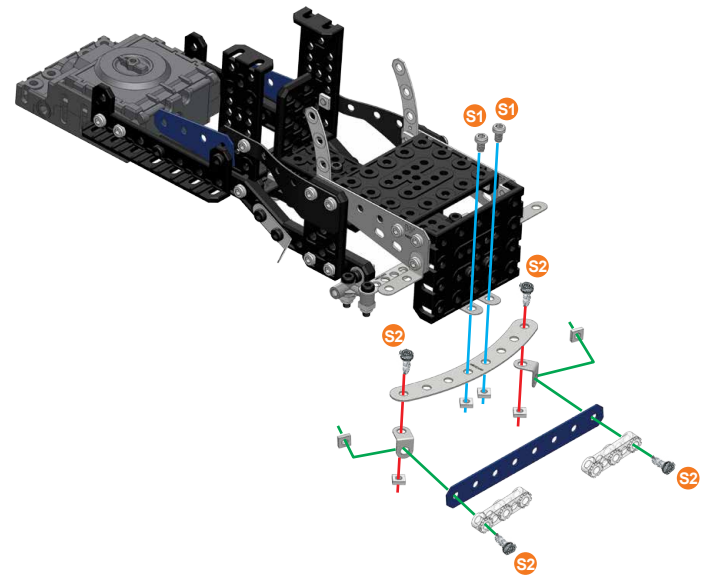
-  **S3** | **1:1**






17


-  **S1** | 5.8 mm | 15/64" | **x2**
-  **S2** | 9.5 mm | 3/8" | **x4**
-  **x6**
-  **x2**
-  **x2**
-  **x1**
-  **x1**

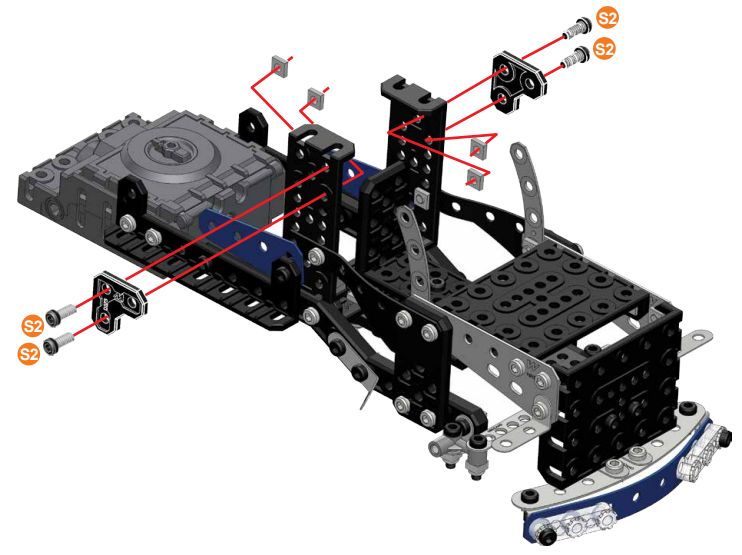
-  **S1**
-  **S2**
- 1:1**



18

	S2	9.5 mm 3/8"	x4
			x4
			x2

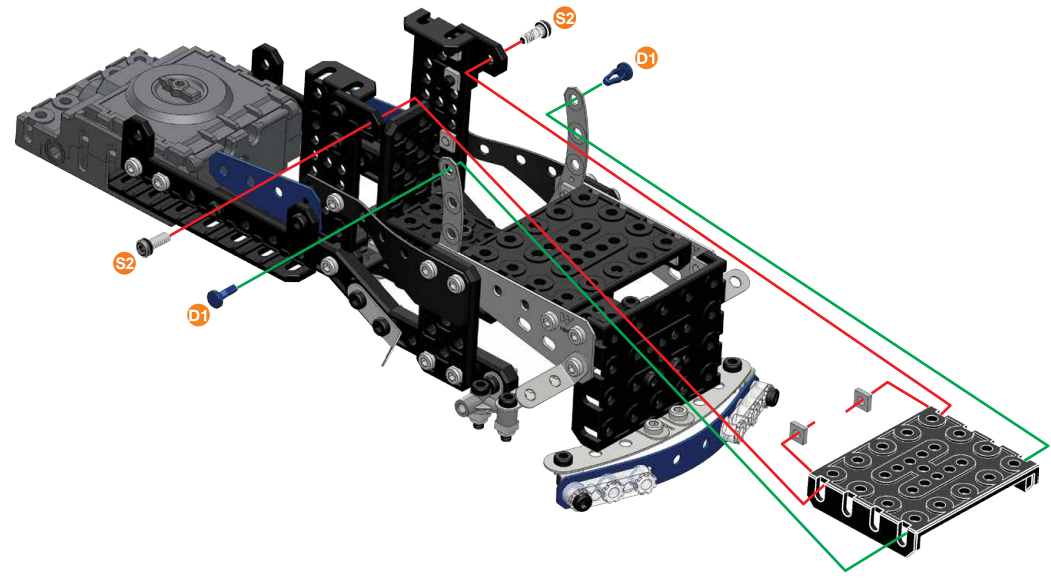
	S2	1:1
---	----	-----



19

	S2	9.5 mm 3/8"	x2
	D1	11.25mm 7/16"	x2
			x4
			x2

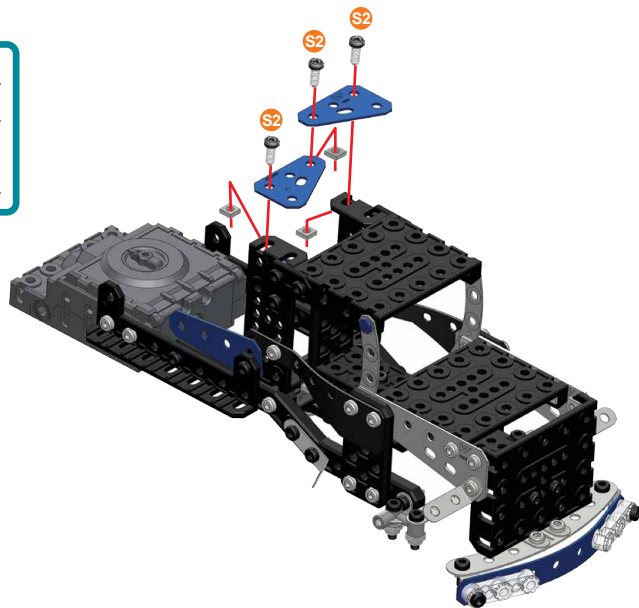
	D1	1:1
	S2	



20

- 9.5 mm | 3/8" | x3
- x3
- x2

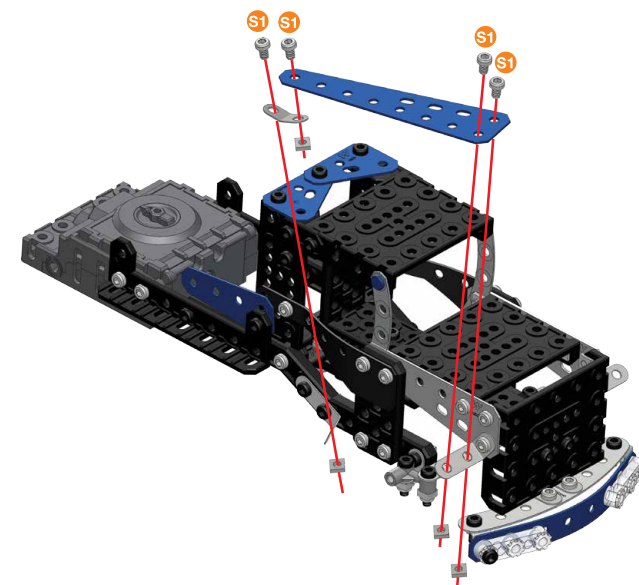
- 1:1



21

- 5.8 mm | 15/64" | x4
- x4
- x1
- x1

- 1:1

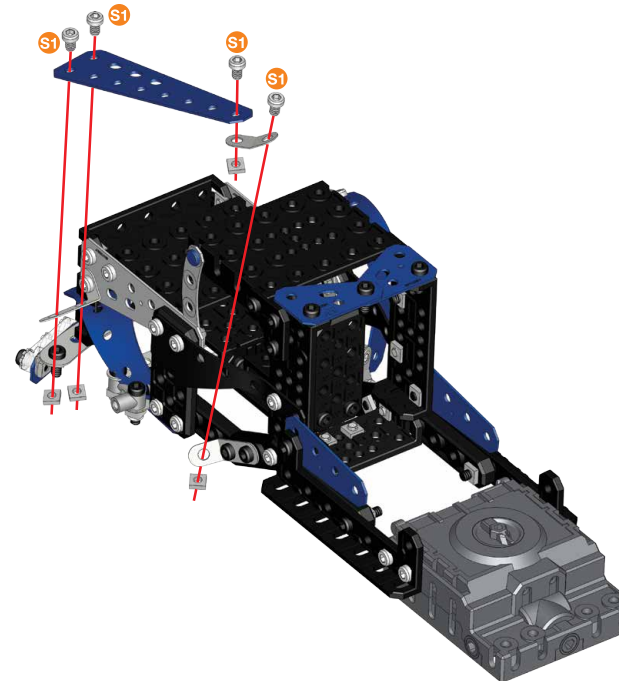


22

- 5.8 mm | 15/64" | x4
- x4
- x1
- x1



- 1:1

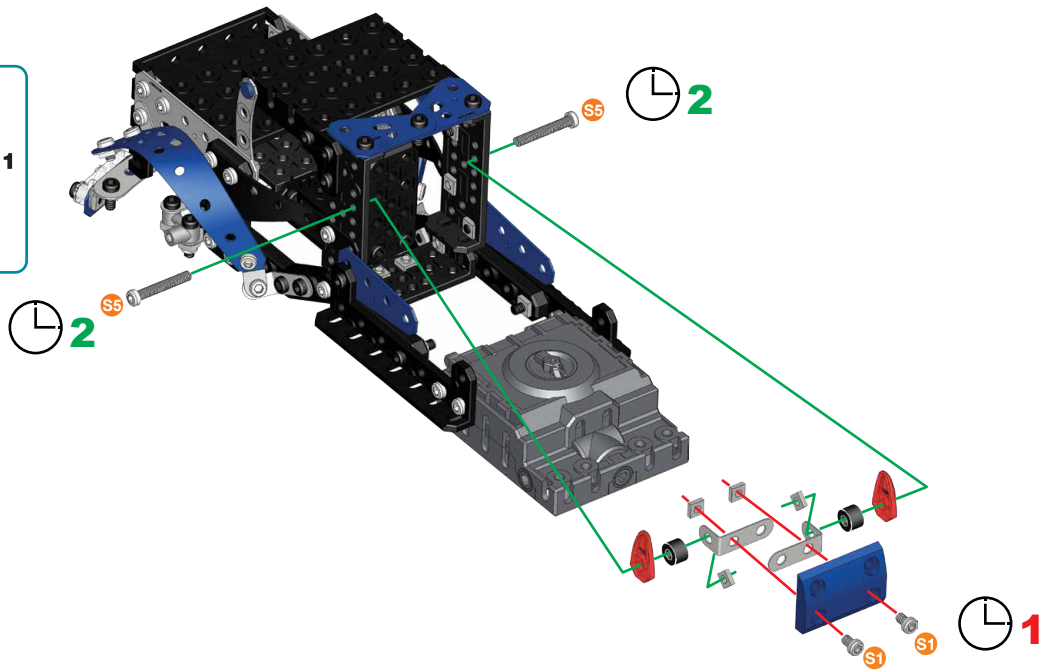


23

- 5.8 mm | 15/64" | x2
- 25.4 mm | 1" | x2
- x4
- x2
- x2
- x2
- x1

- S1
- S5
- A238

1:1

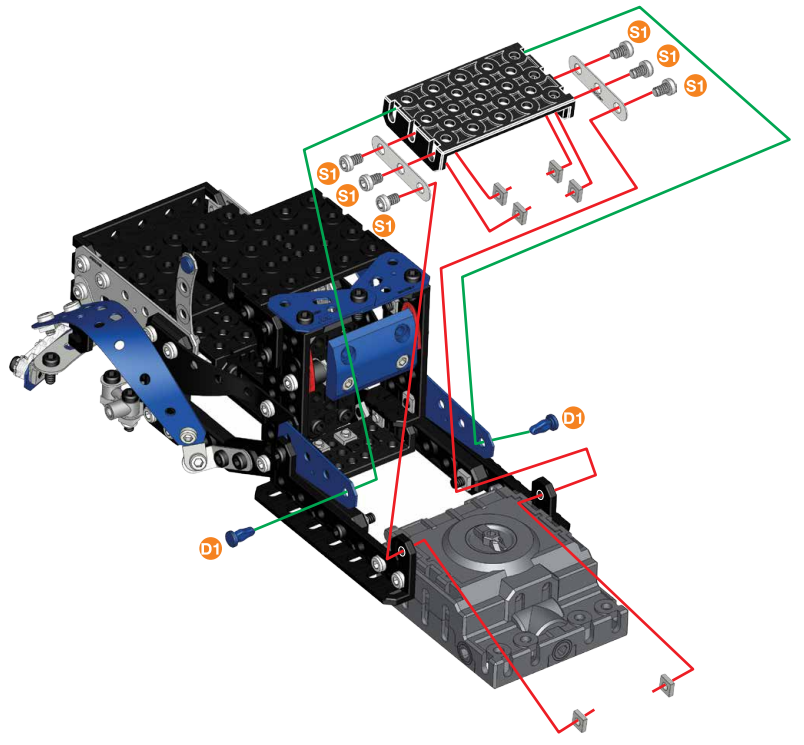


24

- S1 | 5.8 mm | 15/64" | x6
- D1 | 11.25mm | 7/16" | x2
- x6
- x2
- x1

- S1
- D1

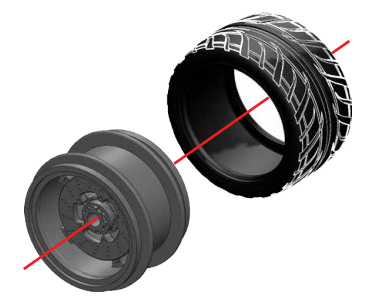
1:1



25


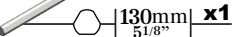
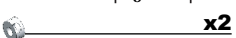
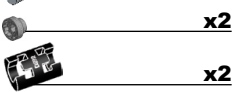
- x4
- x4

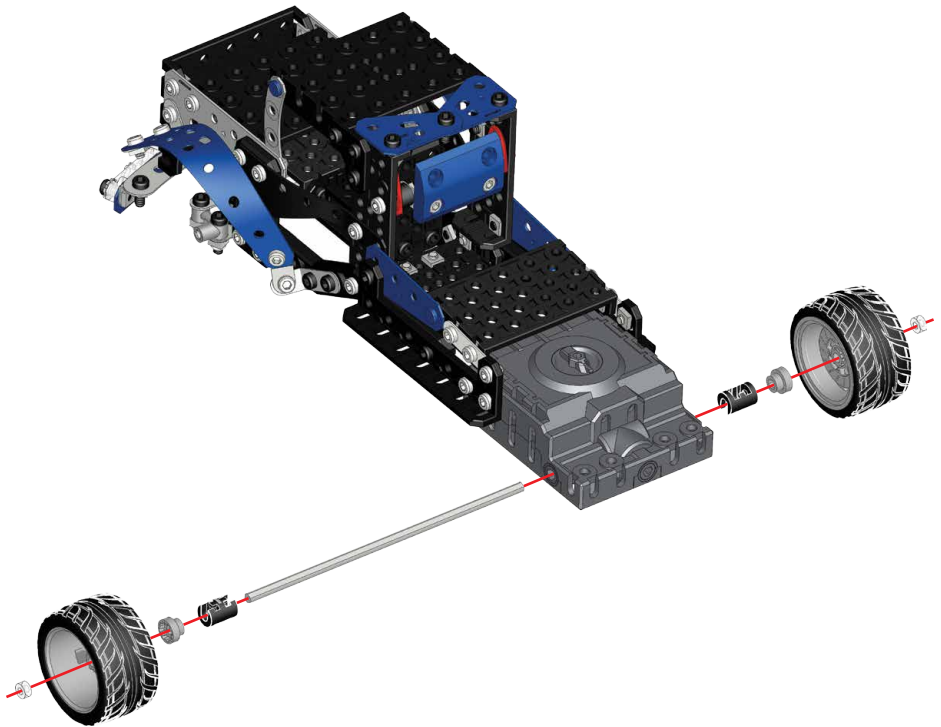
- x2
- x2



26


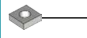

(24)+(25)+

-  130mm | 5 1/8" | x1
-  x2
-  x2
-  x2

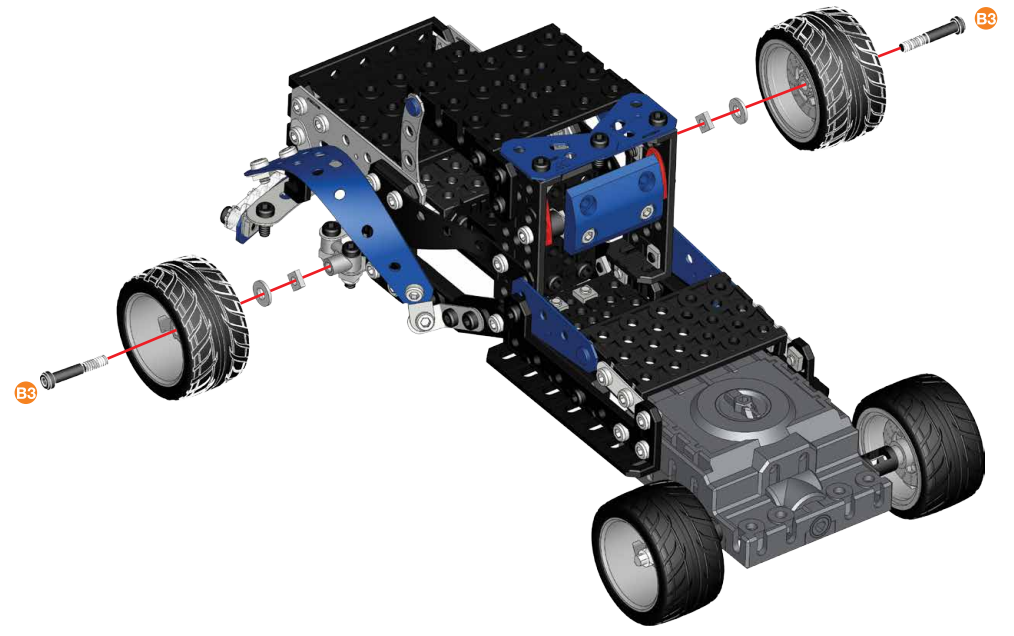
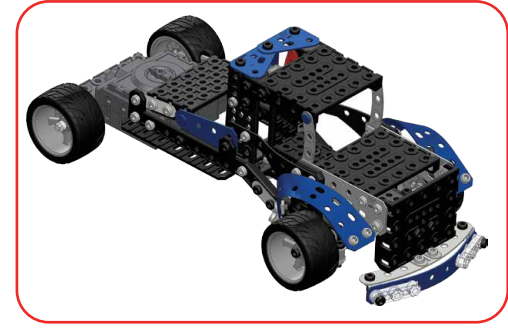


27

(25)+(26)+

-  B3 | 23 mm | 15/16" | x2
-  x2
-  x2

 B3 1:1



1:1