
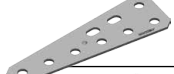


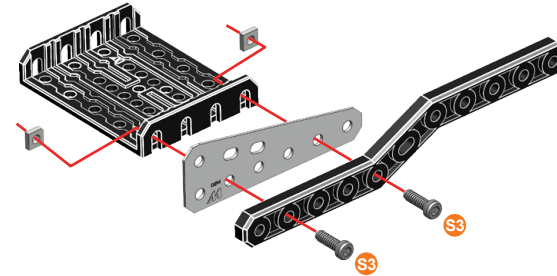
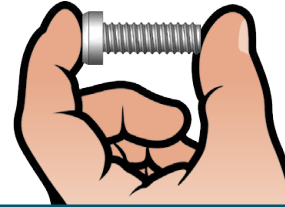


1



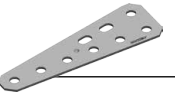
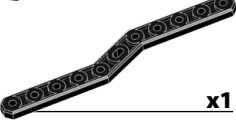
-  | 12 mm | $\frac{1}{2}$ " | x2
-  | x2
-  | x1
-  | x1
-  | x1

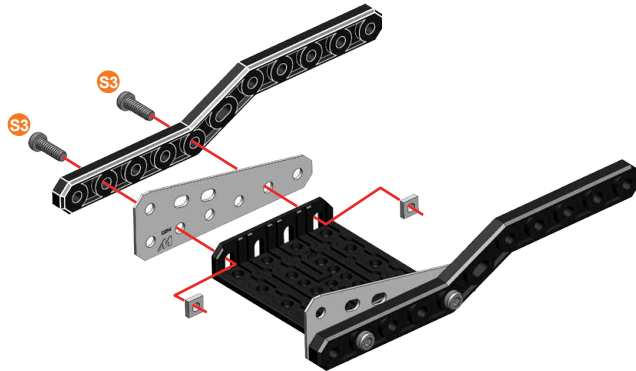


-  | 1:1








2

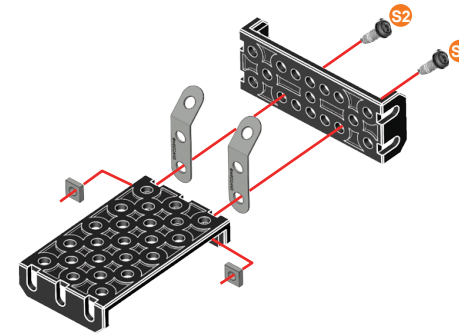
-  | 12 mm | $\frac{1}{2}$ " | x2
-  | x2
-  | x1
-  | x1



-  | 1:1

3

-  | 9,5 mm | $\frac{3}{8}$ " | x2
-  | x2
-  | x2
-  | x1
-  | x1

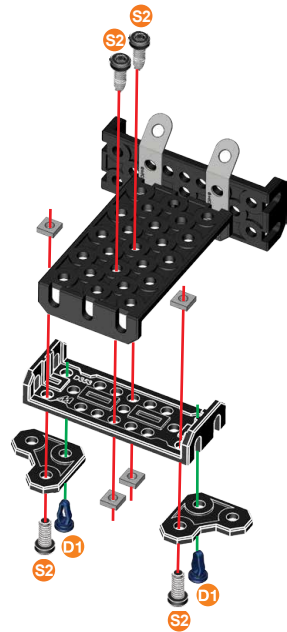


-  | 1:1

4

	D1	11.25mm 7/16"	x2
	S2	9.5mm 3/8"	x4
			x4
			x2
			x1

	D1	1:1
	S2	

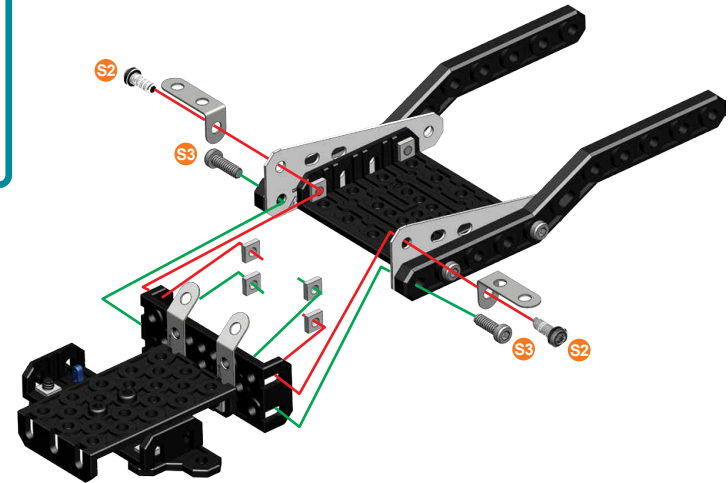


5

②+④+

	S2	9.5mm 3/8"	x2
	S3	12mm 1/2"	x2
			x4
			x2

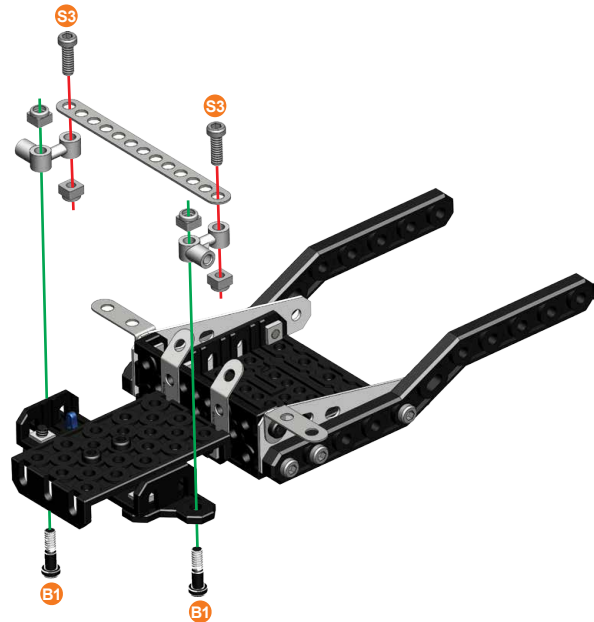
	S2	1:1
	S3	



6

	S3	12mm 1/2"	x2
	B1	14.7mm 37/64"	x2
			x4
			x2
			x1

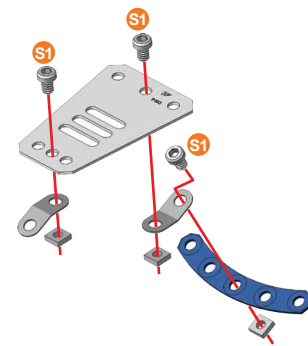
	S3	1:1
	B1	






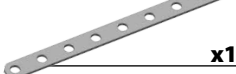
7

	S1	5.8mm 15/64"	x3
			x3
			x2
			x1
			x1

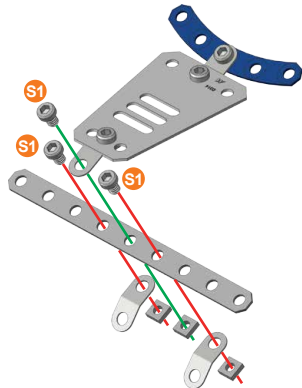
	S1	1:1
--	----	-----





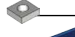

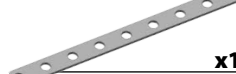
8

	5,8 mm 15/64"	x3
		x3
		x2
		x1

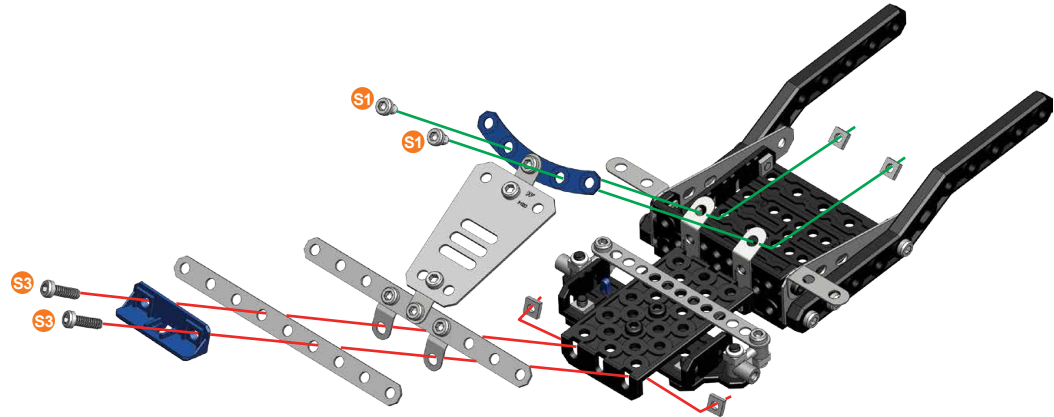
	1:1
---	------------





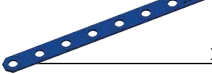
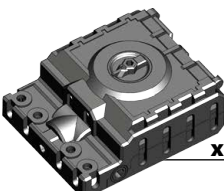
9 ⑥+⑧+

	5,8 mm 15/64"	x2
	12 mm 1/2"	x2
		x4
		x1
		x1

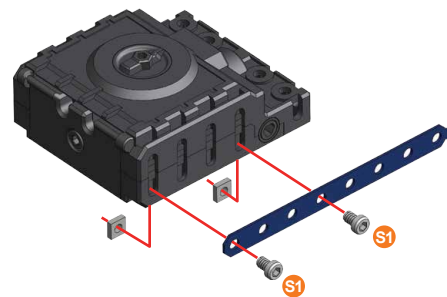
	1:1
	




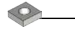
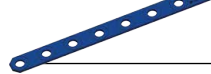
10

	5,8 mm 15/64"	x2
		x2
		x1
		x1

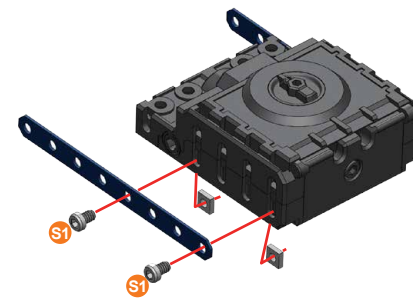
	1:1
---	------------






11

	5,8 mm 15/64"	x2
		x2
		x1

	1:1
---	------------

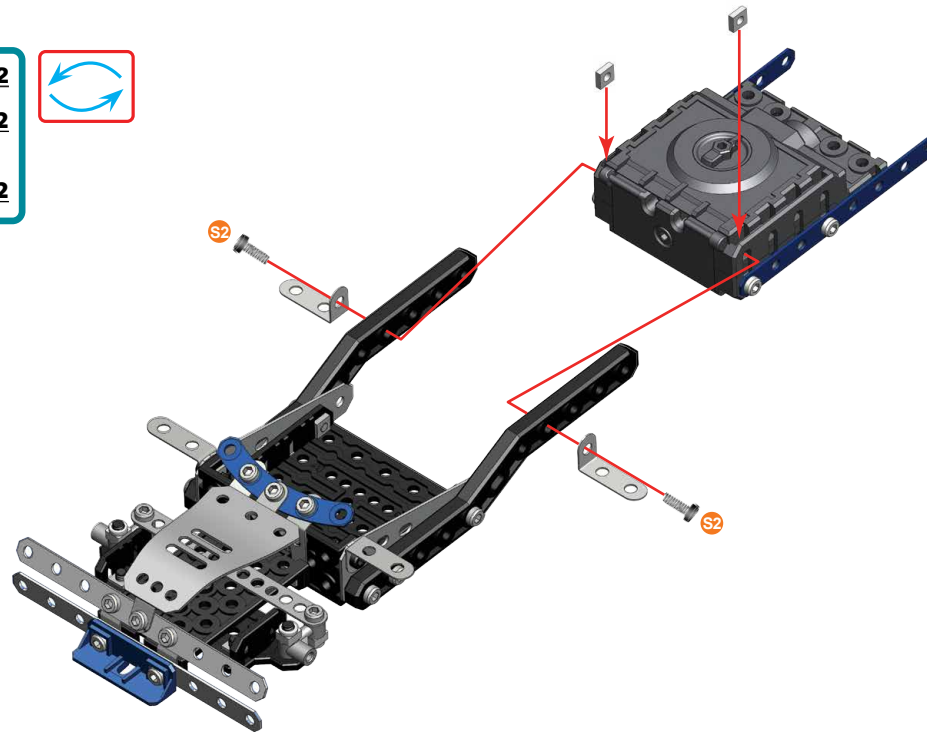


12 ⑨+⑪+





	9.5 mm 3/8"	x2
		x2
		x2



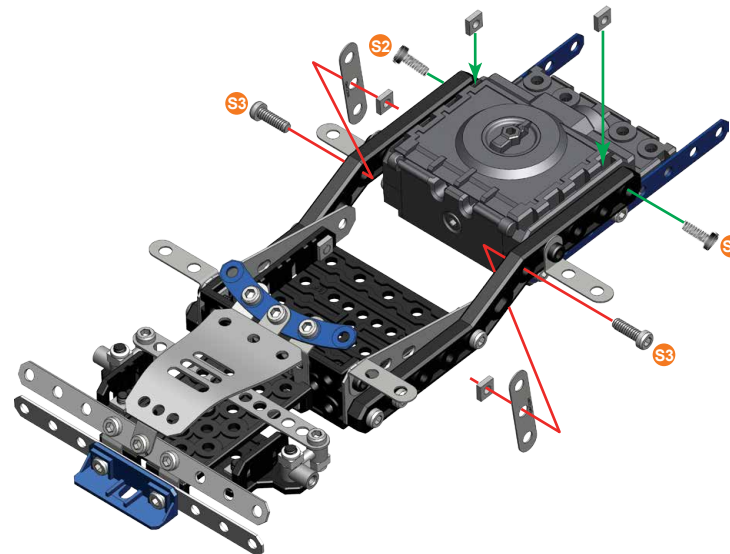
	S2	1:1
---	----	-----



13

	9.5 mm 3/8"	x2
	12 mm 1/2"	x2
		x4
		x2

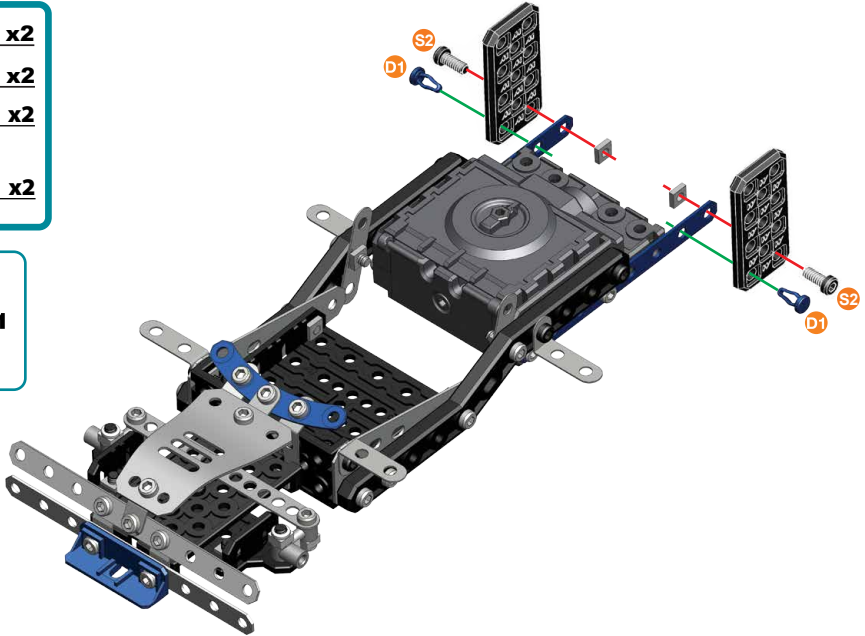
	S2	1:1
	S3	



14

	D1	11.25mm 7/16"	x2
	S2	9.5mm 3/8"	x2
			x2
			x2

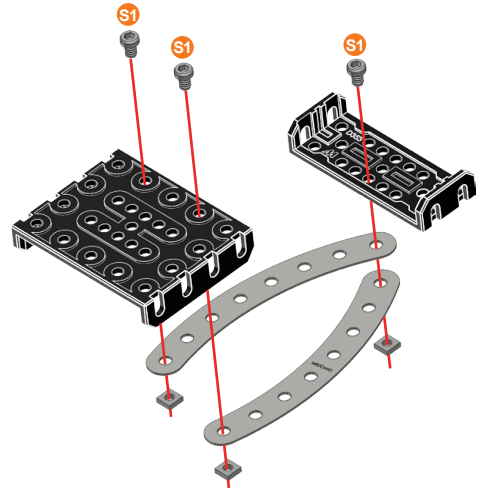
	D1	1:1
	S2	



15

	S1	5.8mm 15/64"	x3
			x3
			x2
			x1
			x1

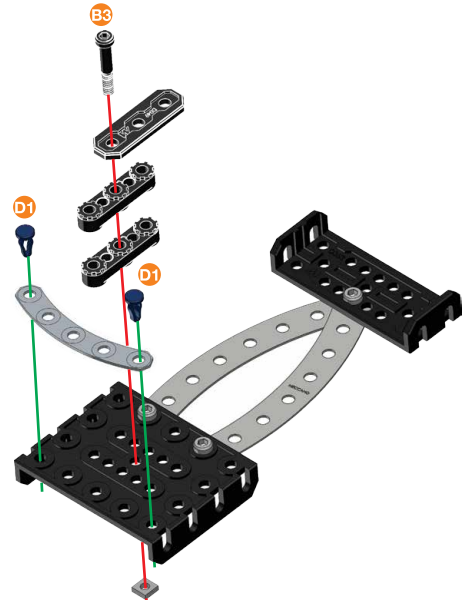
	S1	1:1
--	----	-----



16

	D1	11.25mm 7/16"	x2
	B3	23mm 15/16"	x1
			x1
			x2
			x1
			x1

	D1	1:1
	B3	

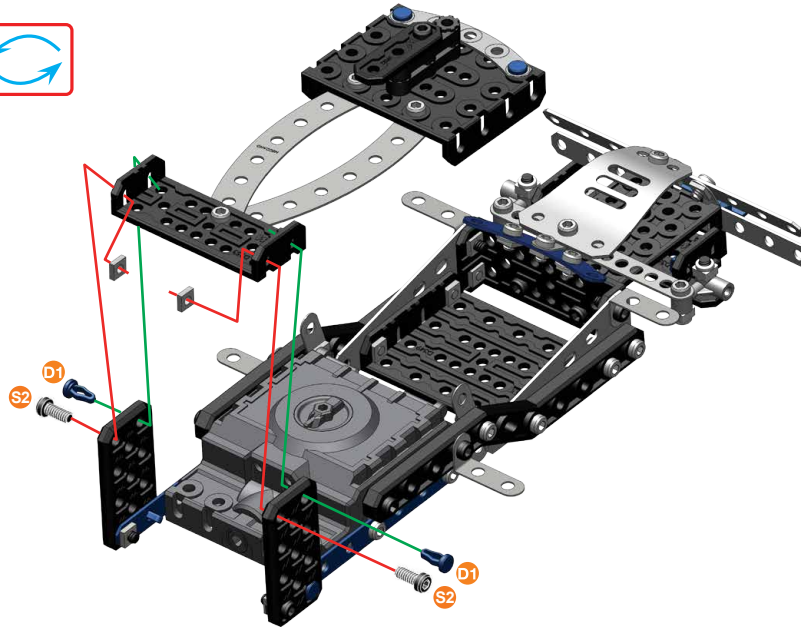


17 (14)+(16)+

	D1	11.25mm 7/16"	x2
	S2	9.5mm 3/8"	x2
			x2



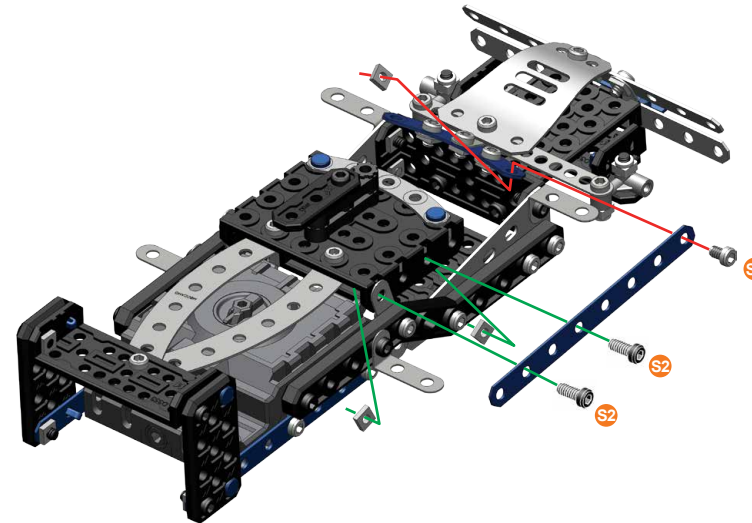
	D1	1:1
	S2	





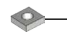
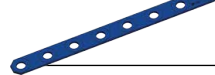
18

	S1	5.8mm 15/64"	x1
	S2	9.5mm 3/8"	x2
			x3
			x1



	S1	1:1
	S2	

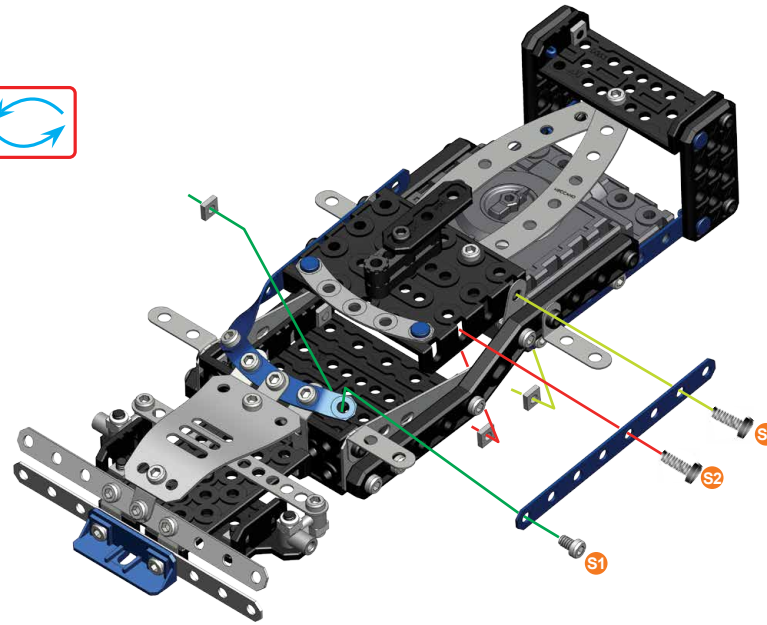


19


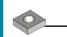

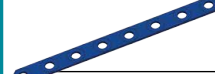
	5.8 mm 15/64"	x1
	9.5 mm 3/8"	x2
		x3
		x1



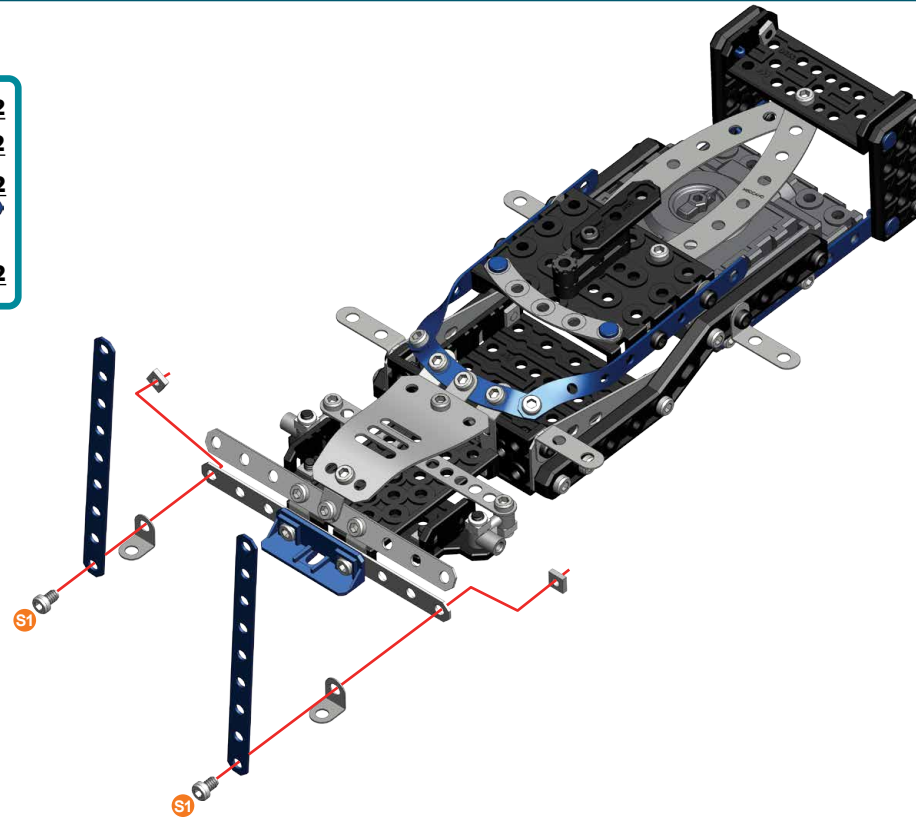
	S1	1:1
	S2	






20

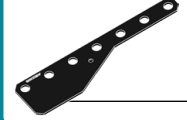
	5.8 mm 15/64"	x2
		x2
		x2
		x2

	S1	1:1
---	-----------	------------





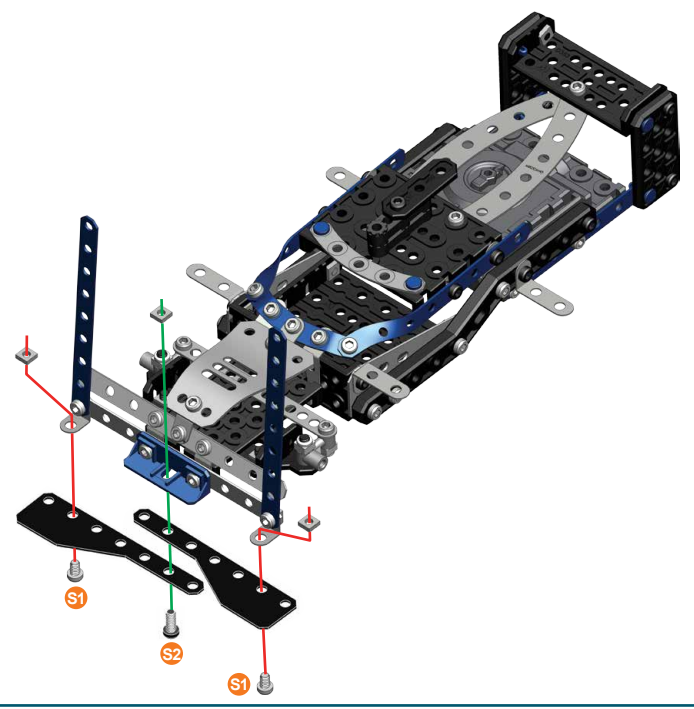
21

	S1	5.8 mm 15/64"	x2
	S2	9.5 mm 3/8"	x1
			x3






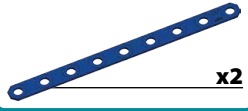
x2

	S1		1:1
	S2		



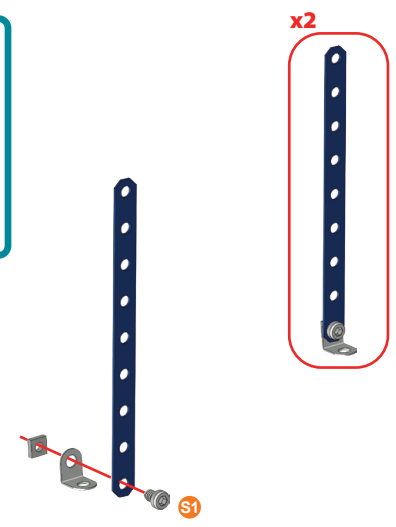
22

	S1	5.8 mm 15/64"	x2
			x2
			x2





x2

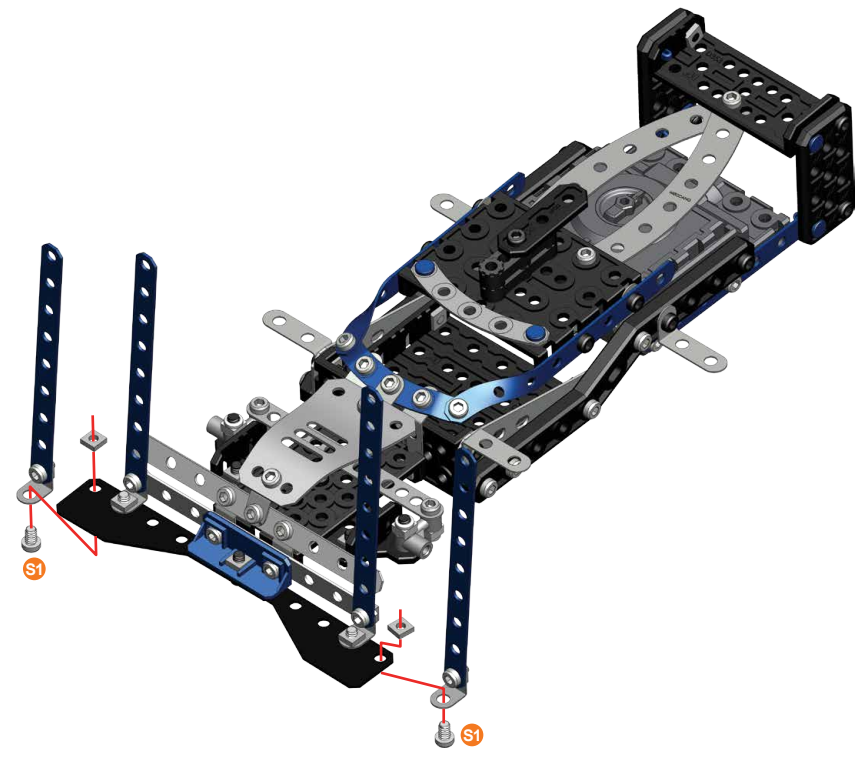
	S1	1:1
---	----	-----



23 ②1+②+

	S1	5.8 mm 15/64"	x2
			x2

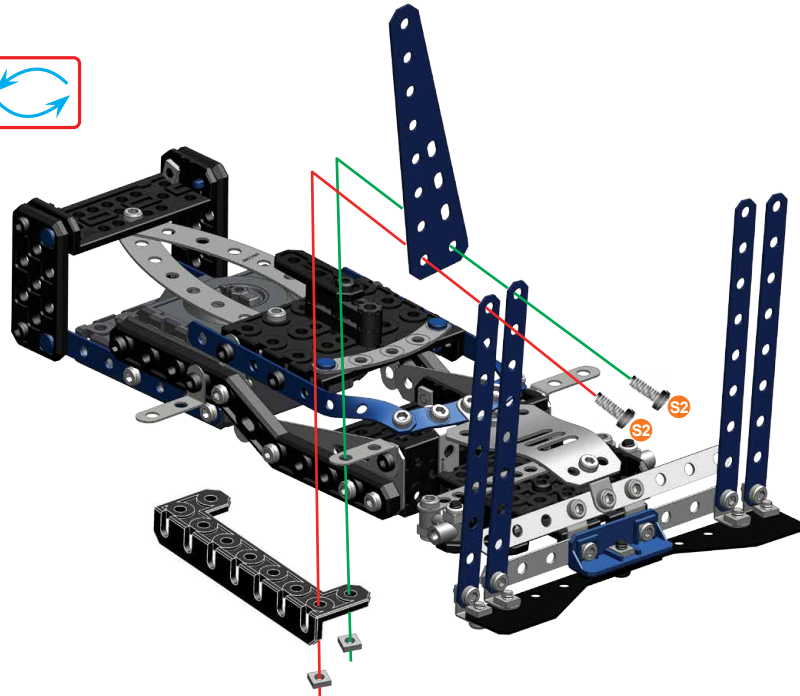
	S1	1:1
---	----	-----



24

- 9,5 mm $\frac{3}{8}$ " x2
- x2
- x1
- x1

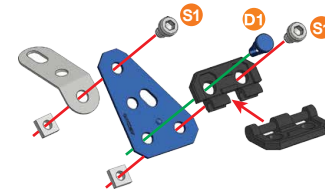
- 1:1



25

- 5,8 mm $\frac{15}{64}$ " x2
- 11,25mm $\frac{7}{16}$ " x1
- x2
- x1
- x1
- x1
- x1

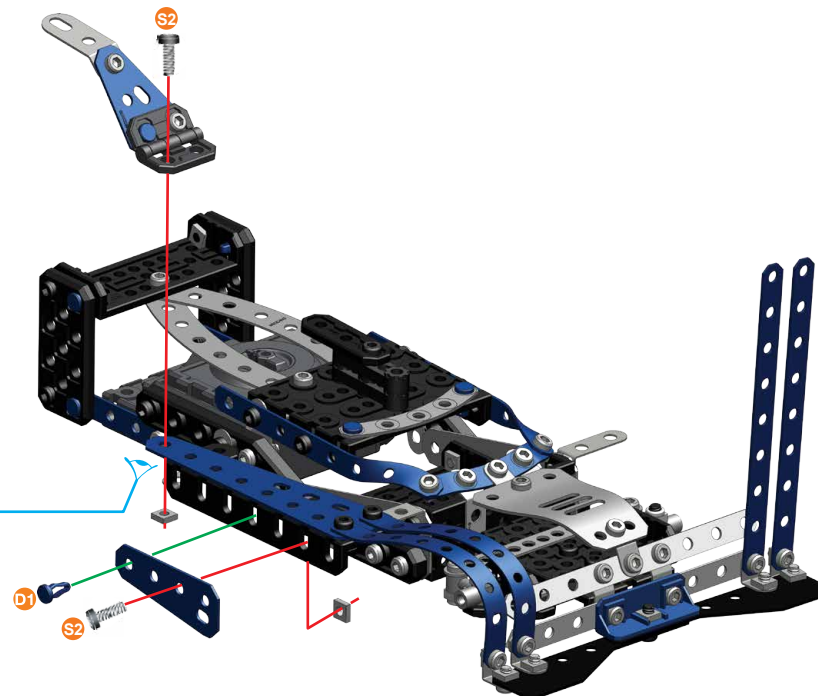
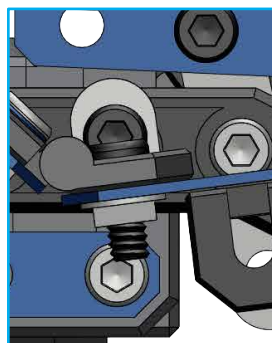
- 1:1
- 1:1



26 (24)+(25)+

- 11,25mm $\frac{7}{16}$ " x1
- 9,5 mm $\frac{3}{8}$ " x2
- x2
- x1

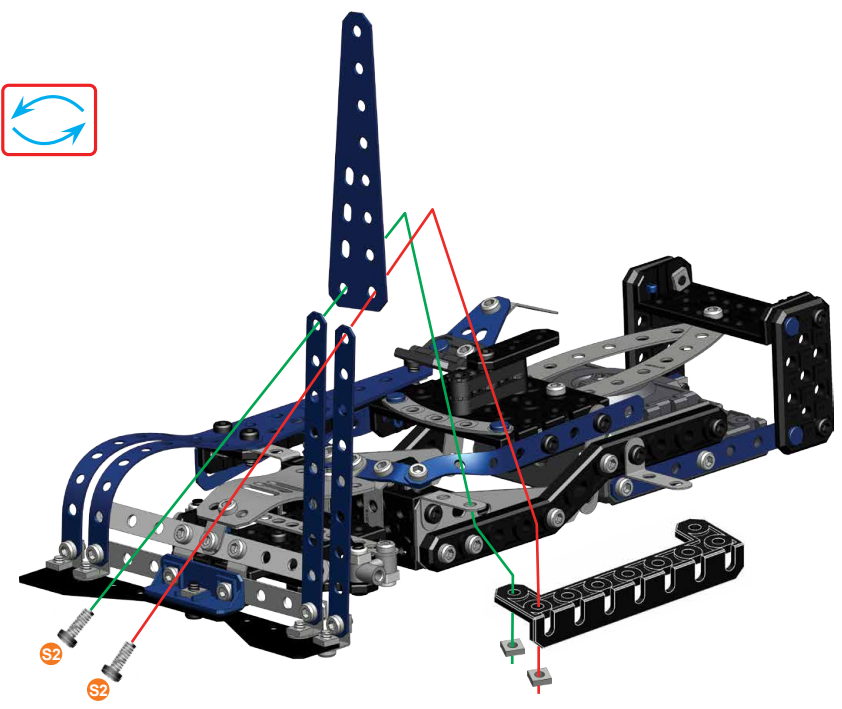
- 1:1
- 1:1



27

- 9.5 mm | 3/8" | x2
- | x2
- | x1
- | x1

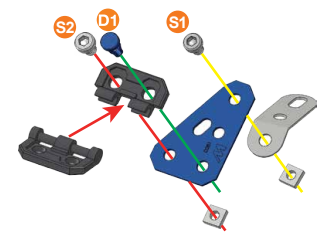
- | 1:1



28

- 11.25 mm | 7/16" | x1
- 5.8 mm | 15/64" | x2
- | x2
- | x1
- | x1
- | x1
- | x1

- | 1:1
- | 1:1

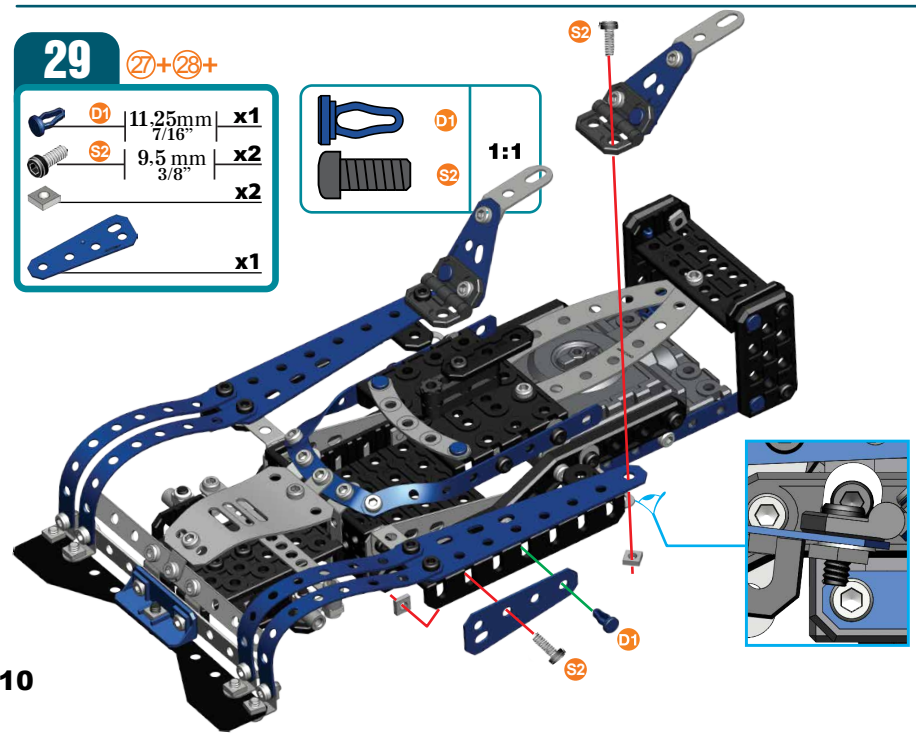


29

(27)+(28)+

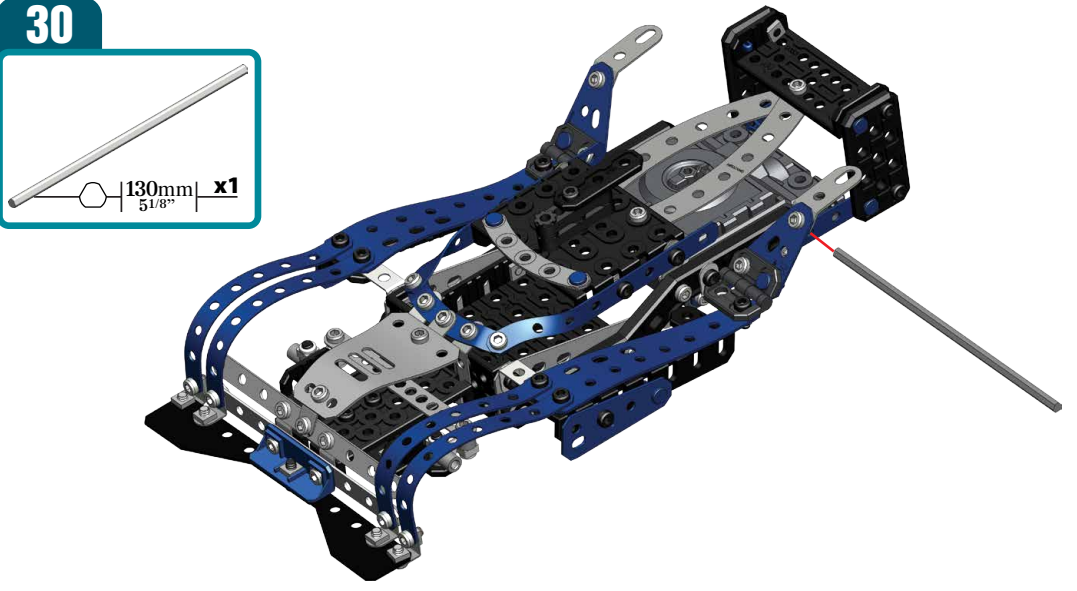
- 11.25 mm | 7/16" | x1
- 9.5 mm | 3/8" | x2
- | x2
- | x1

- | 1:1
- | 1:1



30

- 130 mm | 5 1/8" | x1



31



x2

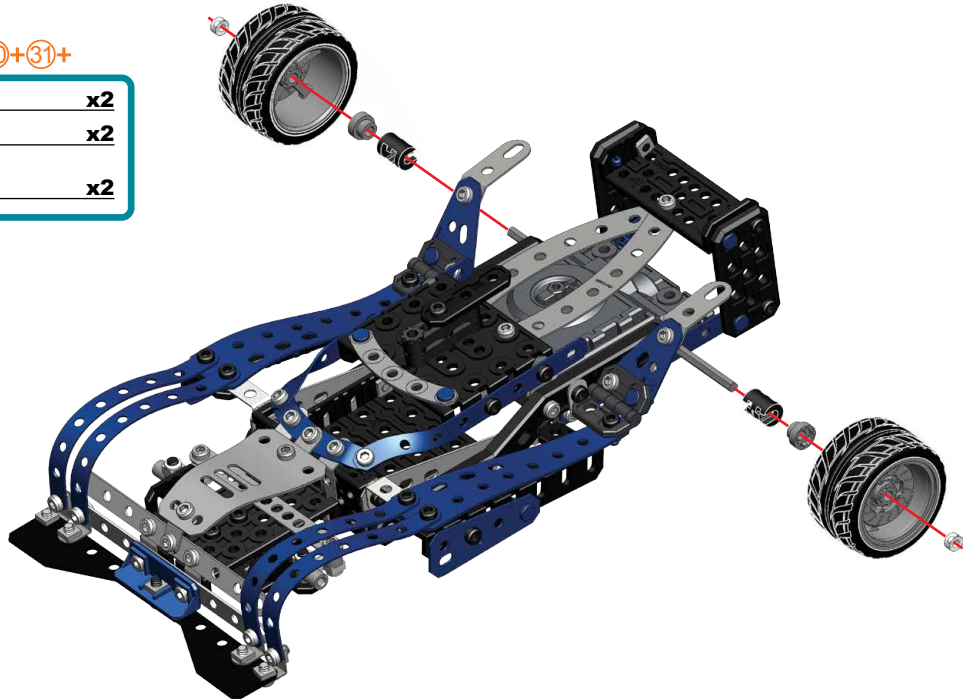
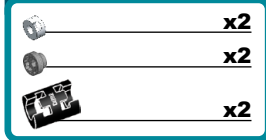


x2



32

30+31+



33

31+32+

