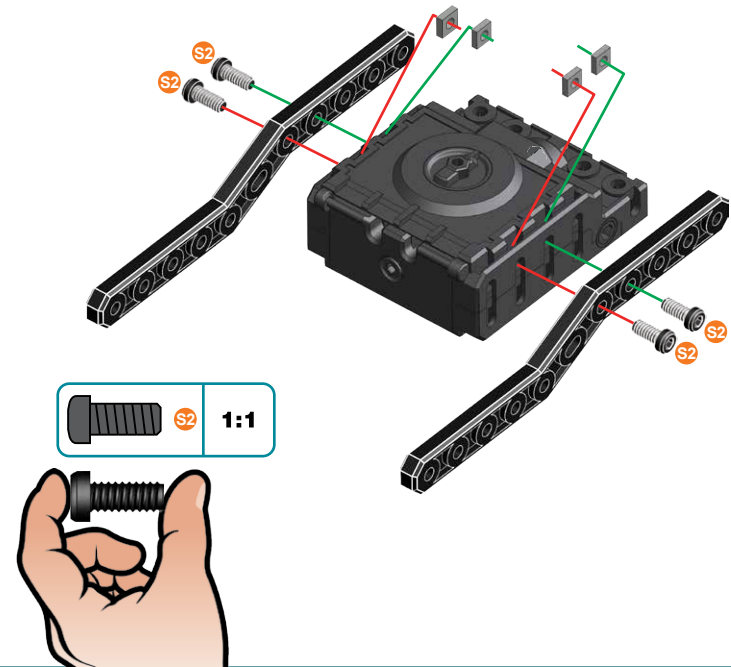


1

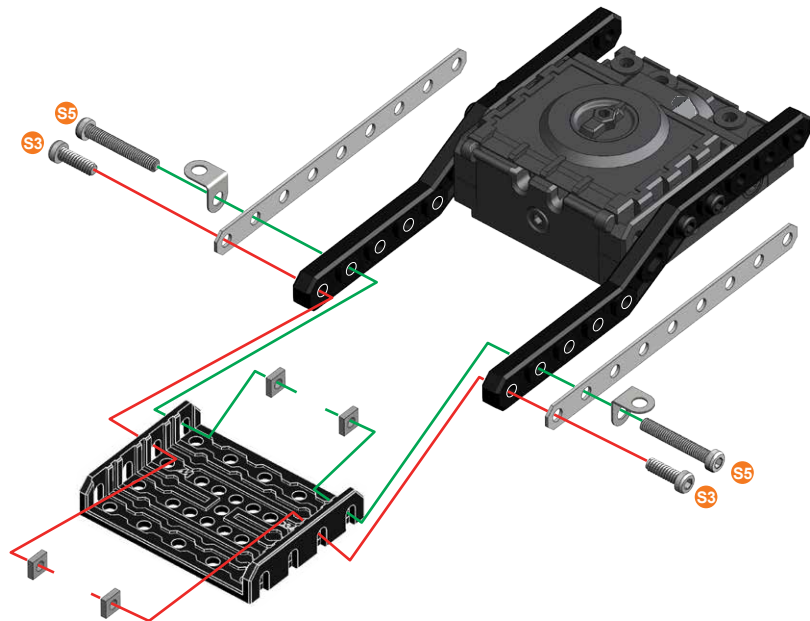
- 9.5 mm $\frac{3}{8}$ " x4
- x4
- x2
- x1








2

- 12 mm $\frac{1}{2}$ " x2
- 25.4 mm 1" x2
- x4
- x2
- x2
- x1

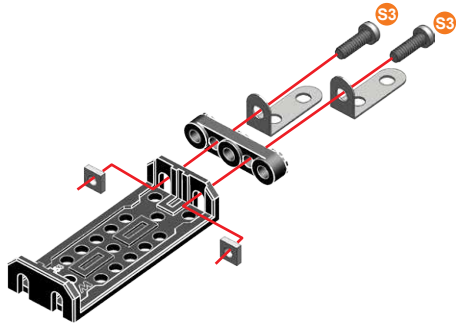
- x1
- x1



3



-  12 mm | 1/2" | x2
-  x2
-  x2
-  x1
-  x1

-  1:1

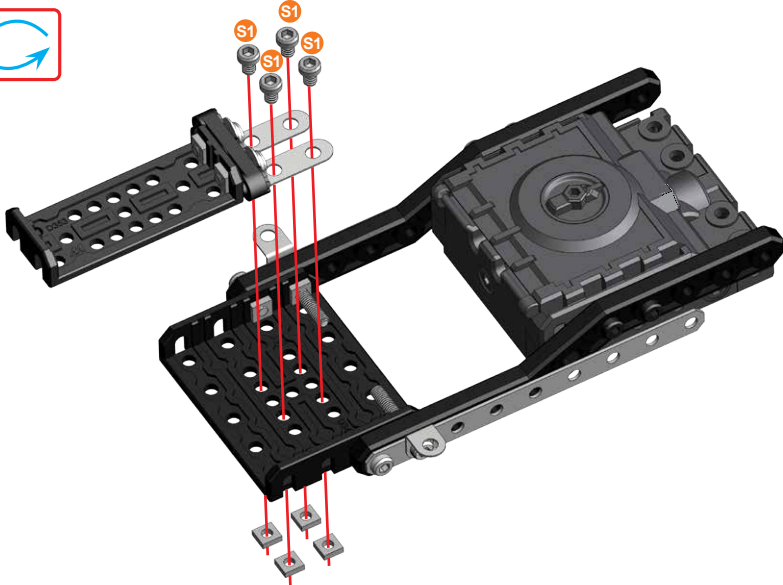


4





②+③+

-  5.8 mm | 15/64" | x4
-  x4

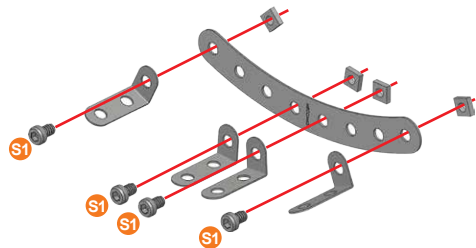
-  1:1



5





-  5.8 mm | 15/64" | x4
-  x4
-  x4
-  x1

-  1:1

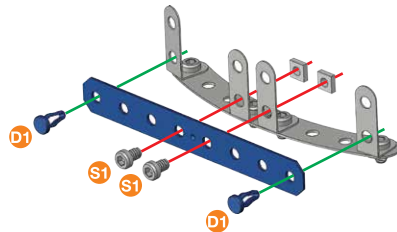


6

⑤+

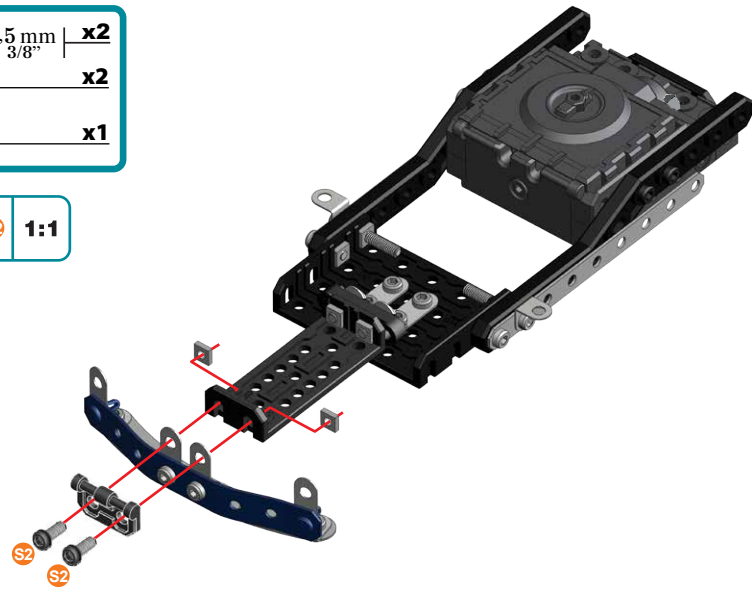
-  11.25mm | 7/16" | x2
-  5.8 mm | 15/64" | x2
-  x2
-  x1

-  1:1
-  1:1



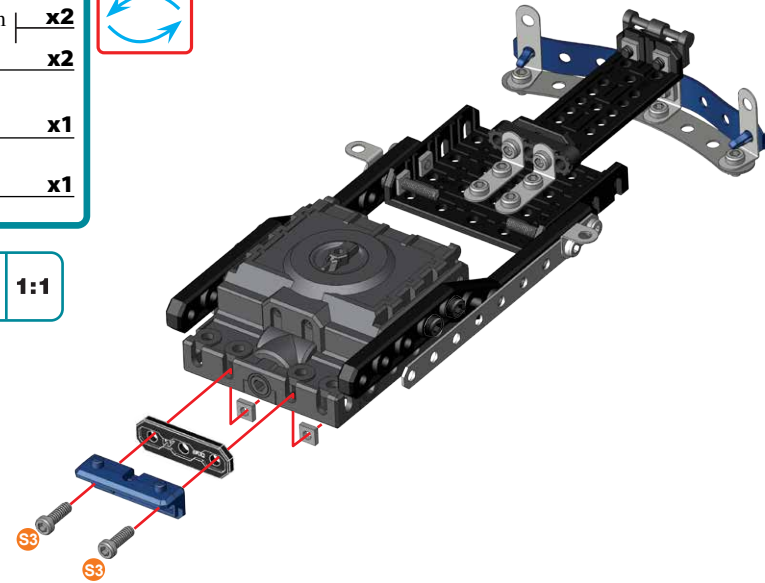
- 7** ④+⑥+
- 9.5 mm | 3/8" | x2
 - x2
 - x1

- 1:1



- 8**
- 12 mm | 1/2" | x2
 - x2
 - x1
 - x1

- 1:1

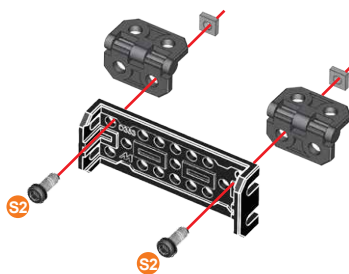


- 9**
- x2
 - x2



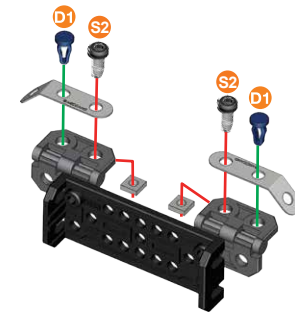
- 10** ⑨+
- 9.5 mm | 3/8" | x2
 - x2
 - x1

- 1:1



- 11**
- 11.25 mm | 7/16" | x2
 - 9.5 mm | 3/8" | x2
 - x2
 - x2

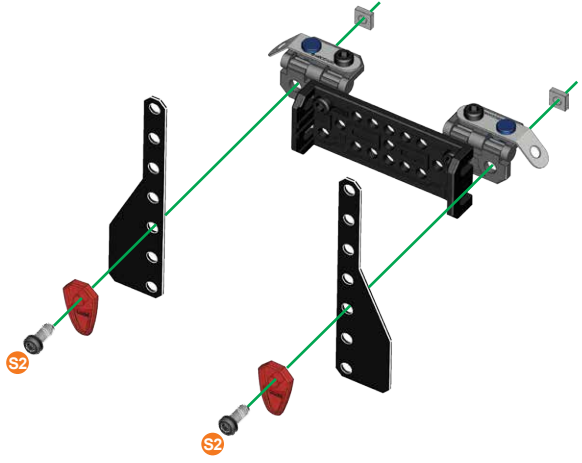
- 1:1
- 1:1



12

- 9.5 mm | 3/8" | x2
- x2
- x2
- x2

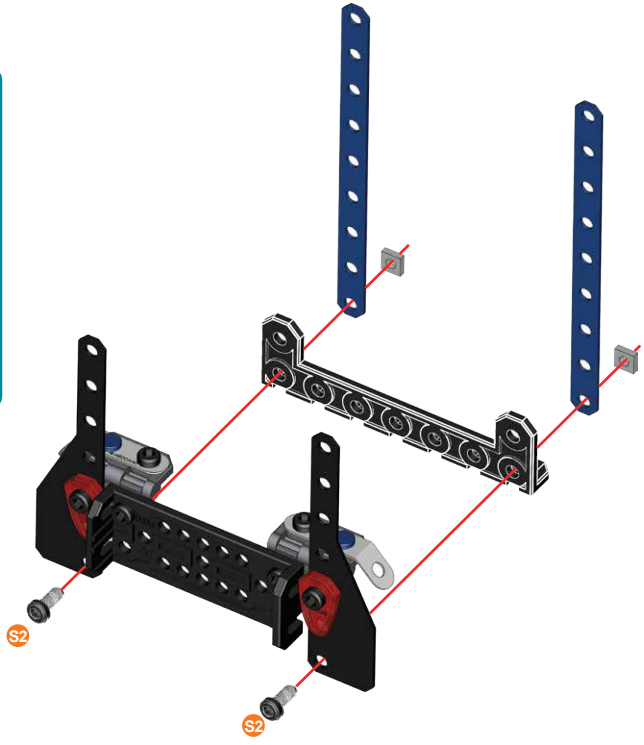
- 1:1



13

- 9.5 mm | 3/8" | x2
- x2
- x1
- x2

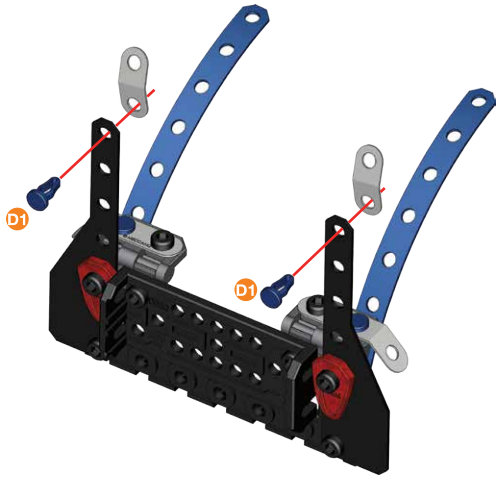
- 1:1





14

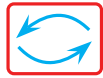
- 11.25mm | 7/16" | x2
- x2

- 1:1



15 ⑧+⑭+

	9.5 mm 3/8"	x1
		x1



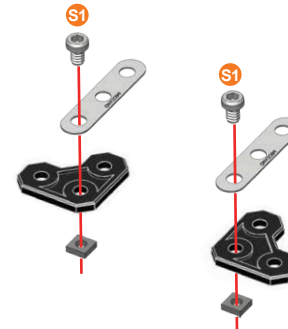
	1:1
---	-----






16

	5.8 mm 15/64"	x2
		x2
		x2
		x2

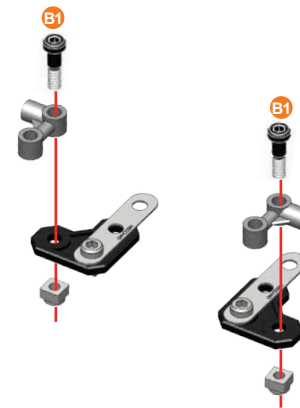
	1:1
---	-----






17 ⑯+

	14.7 mm 37/64"	x2
		x2
		x2

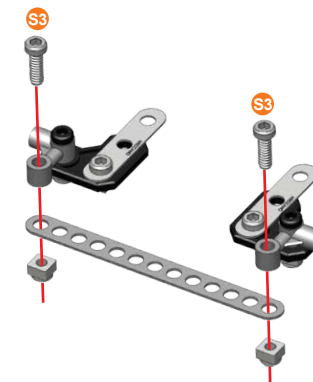
	1:1
--	-----



18




	12 mm 1/2"	x2
		x2
		x1



	1:1
---	-----

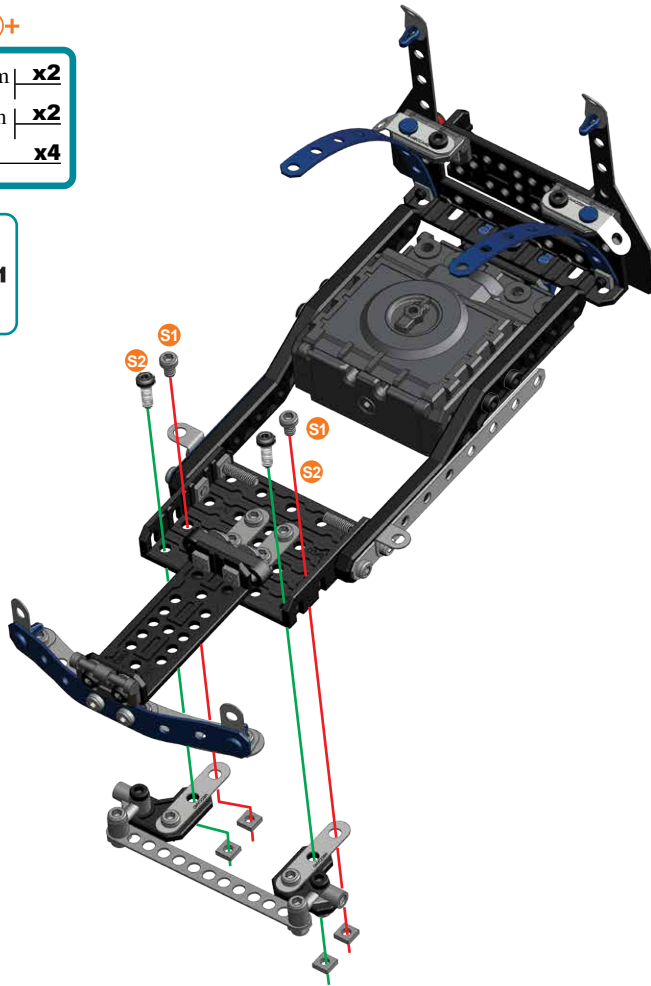


19





(15)+(18)+

	S1	5.8 mm 15/64"	x2
	S2	9.5 mm 3/8"	x2
			x4

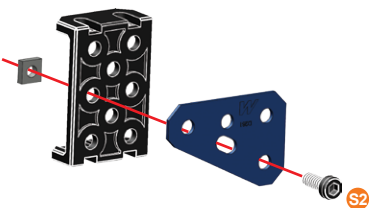
	S1	1:1
	S2	





20

	S2	9.5 mm 3/8"	x1
			x1
			x1
			x1

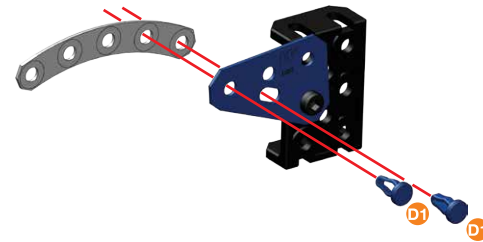
	S2	1:1
---	----	-----





21

	D1	11.25mm 7/16"	x2
			x1

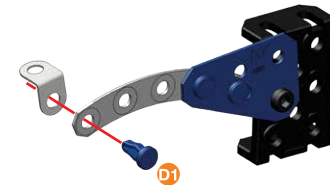
	D1	1:1
---	----	-----







22


	D1	11.25mm 7/16"	x1
			x1

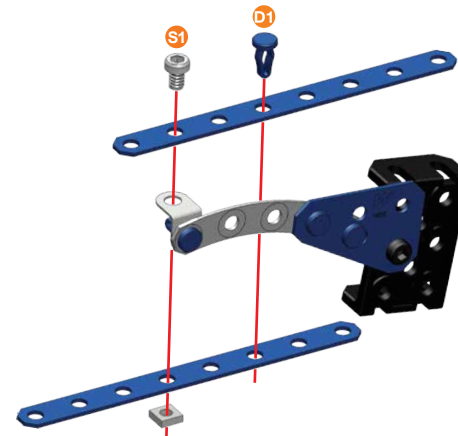
	D1	1:1
---	----	-----




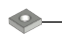

23


	D1	11.25mm 7/16"	x1
	S1	5.8 mm 15/64"	x1
			x1
			x2


	D1	1:1
	S1	

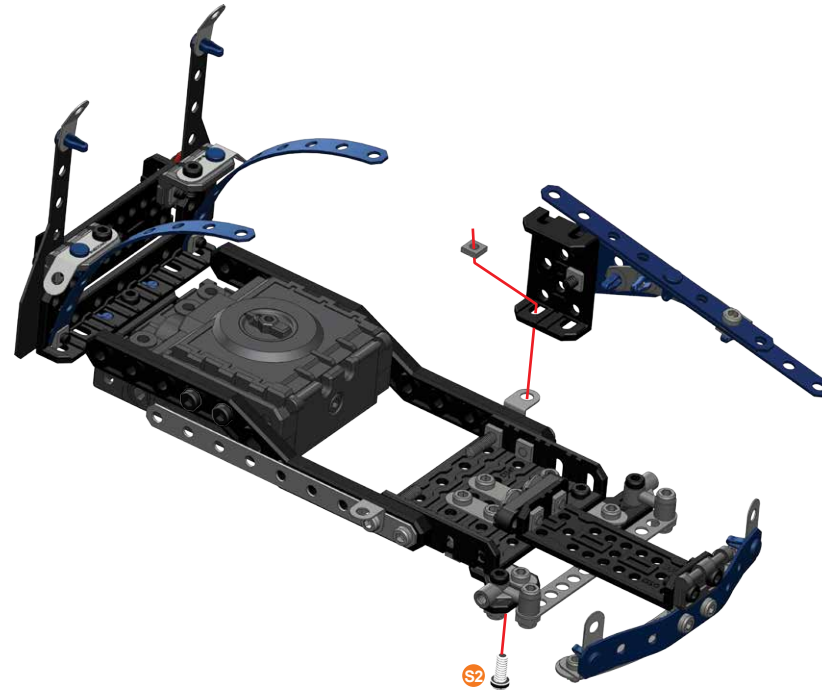


24 (19)+(23)+





	S2	9.5 mm 3/8"	x1
	S2	9.5 mm 3/8"	x1
	S2		x1






	S2	1:1
---	----	-----

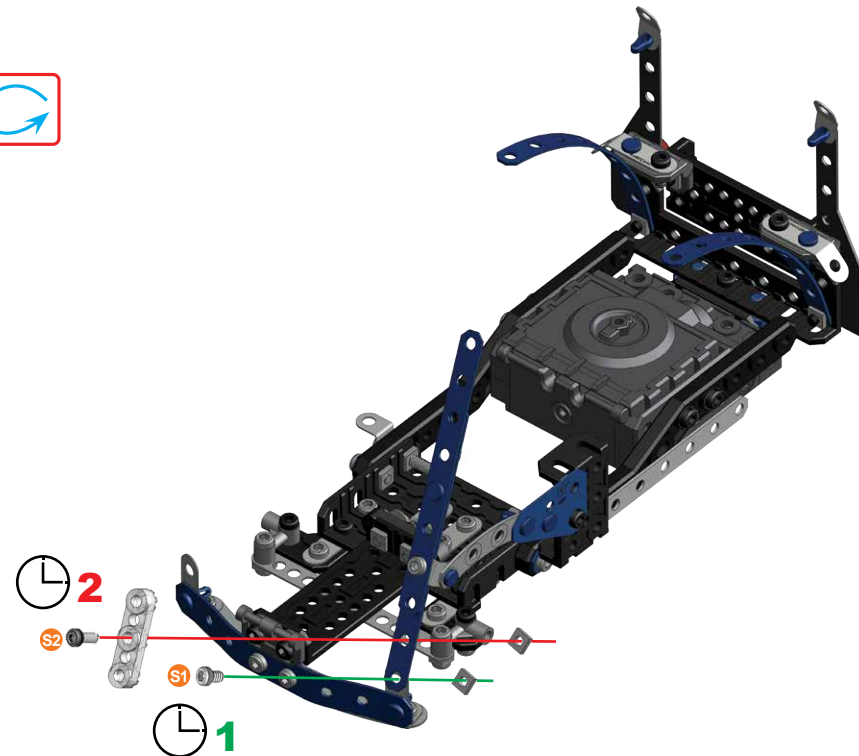


25

	S1	5.8 mm 15/64"	x1
	S2	9.5 mm 3/8"	x1
	S2		x2
	S2		x1



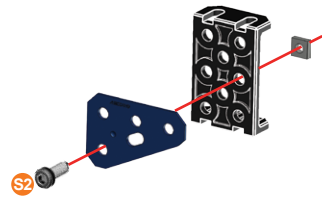
	S1	1:1
	S2	



26

- 9.5 mm | 3/8" | x1
- x1
- x1
- x1

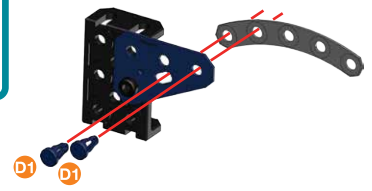
- 1:1



27

- 11.25mm | 7/16" | x2
- x1

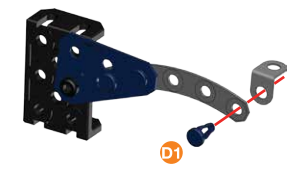
- 1:1



28

- 11.25mm | 7/16" | x1
- x1

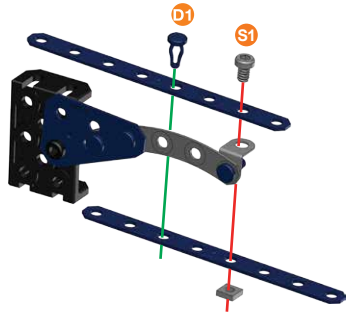
- 1:1



29

- 11.25mm | 7/16" | x1
- 5.8 mm | 15/64" | x1
- x1
- x2

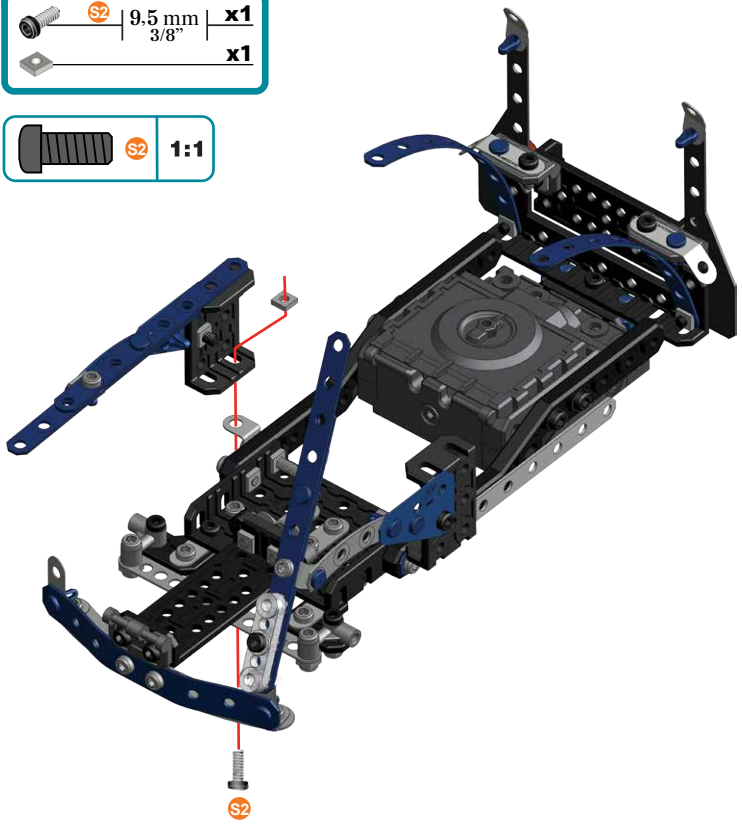
- 1:1
- 1:1



30

- 9.5 mm | 3/8" | x1
- x1

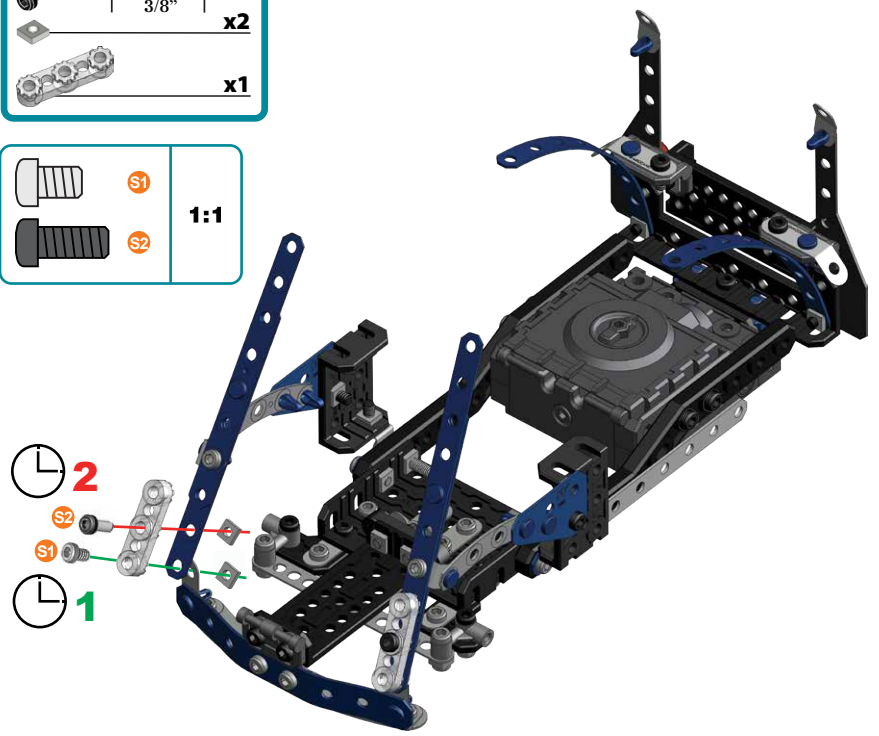
- 1:1




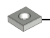

31

- 5.8 mm | 15/64" | x1
- 9.5 mm | 3/8" | x1
- x2
- x1

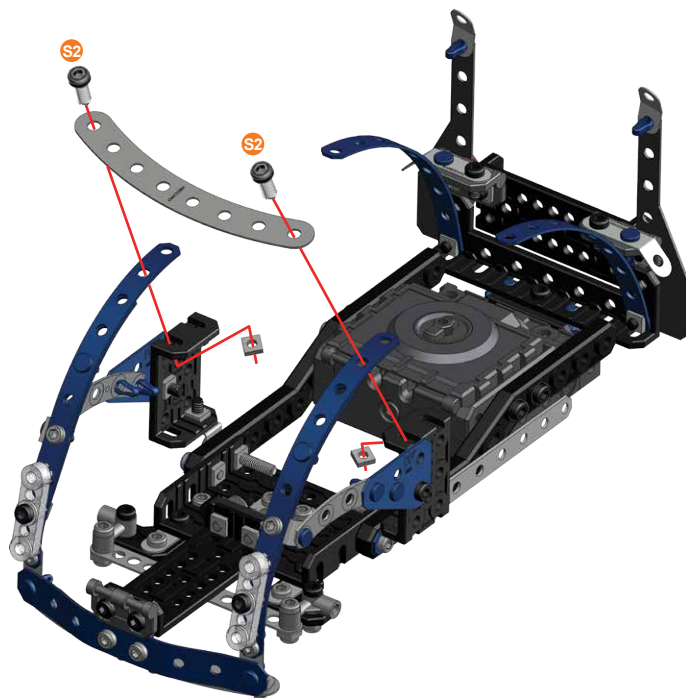
- 1:1
- 1:1





32

-  S2 | 9,5 mm | x2
3/8"
-  | x2
-  | x1

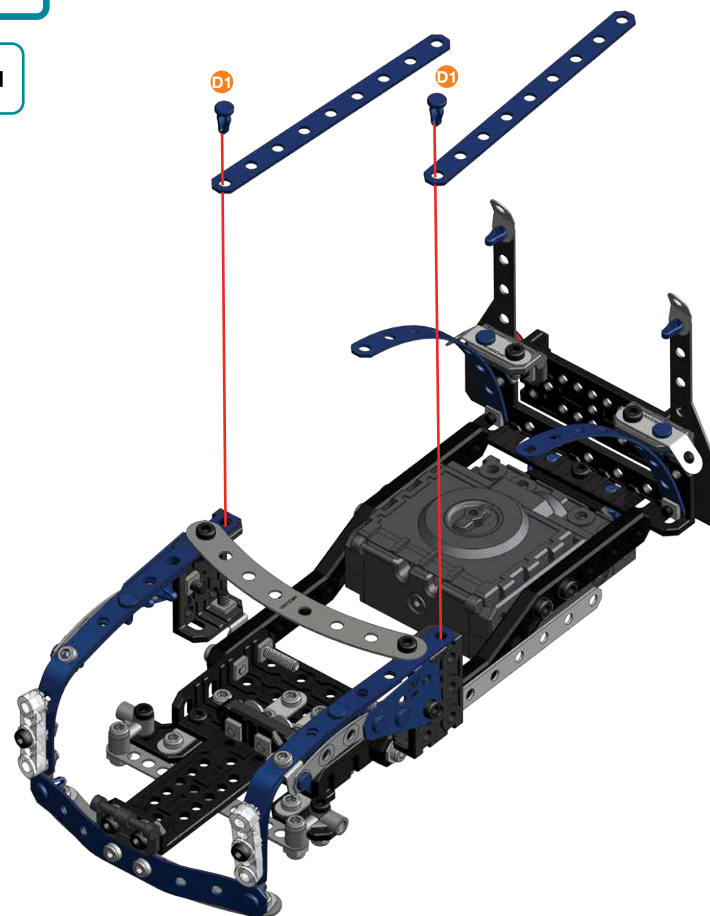
-  S2 | 1:1



33

-  D1 | 11,25mm | x2
7/16"
-  | x2

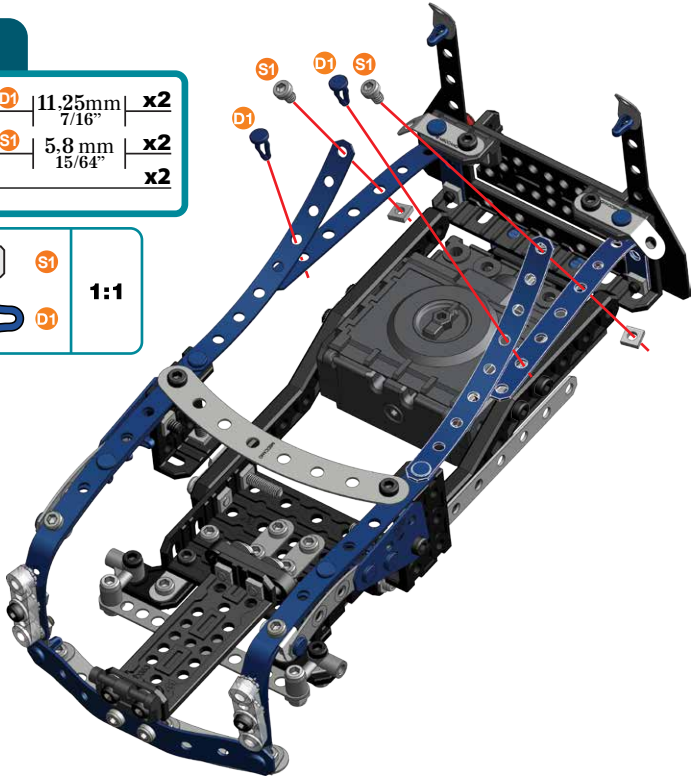
-  D1 | 1:1



34

- D1 | 11.25mm | x2
7/16"
- S1 | 5.8mm | x2
15/64"
- x2

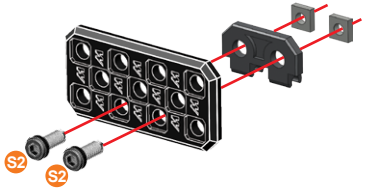
- S1 | 1:1
- D1



35

- S2 | 9.5mm | x2
3/8"
- x2
- x1
- x1

- S2 | 1:1



36

- x1
- x1

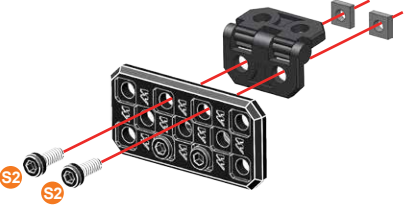


37

35+36+

- S2 | 9.5mm | x2
3/8"
- x2

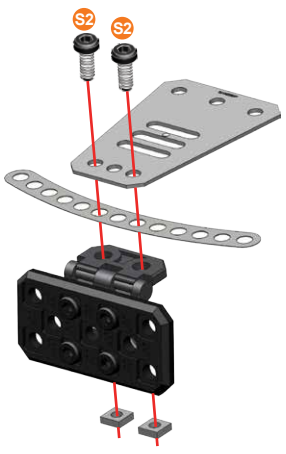
- S2 | 1:1



38

- S2 | 9.5mm | x2
3/8"
- x2
- x1
- x1

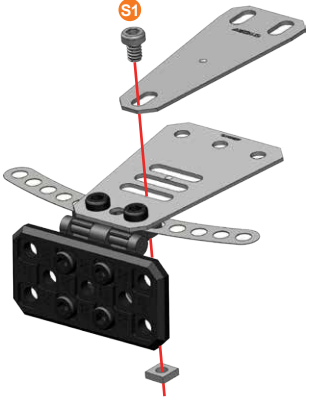
- S2 | 1:1



39

- S1 | 5.8mm | x1
15/64"
- x1
- x1

- S1 | 1:1

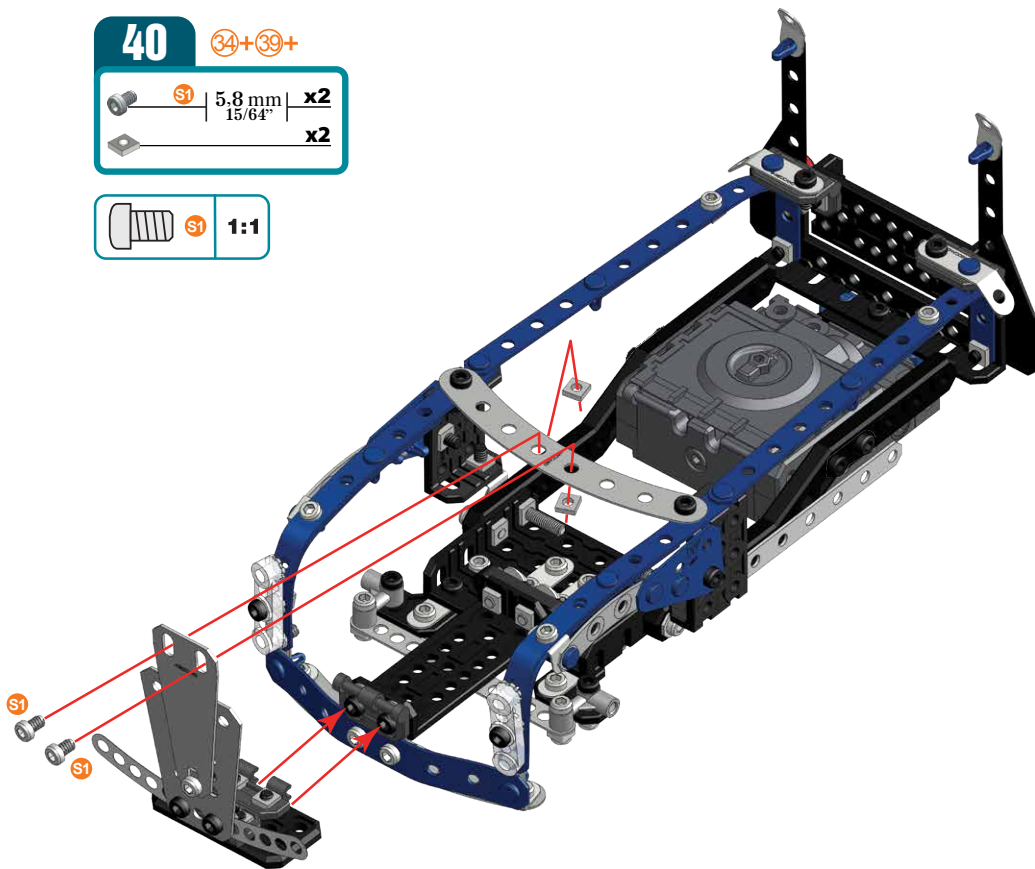


40

34+39+

- S1 5.8 mm | 15/64" x2
- x2

- S1 1:1

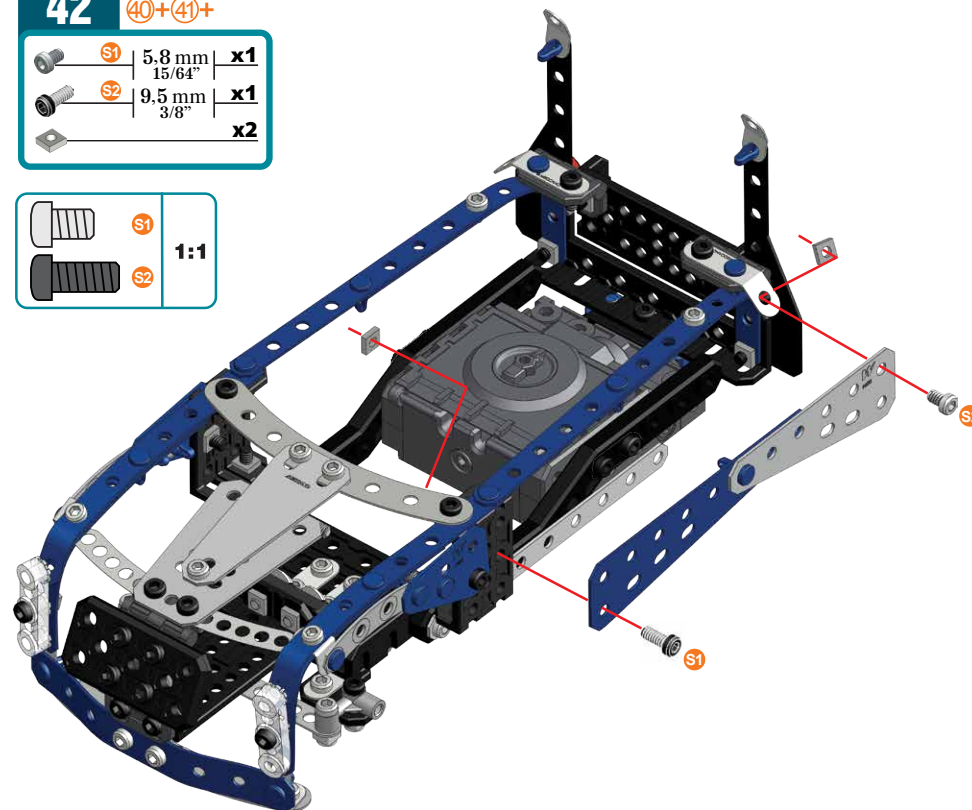


42

40+41+

- S1 5.8 mm | 15/64" x1
- S2 9.5 mm | 3/8" x1
- x2

- S1 1:1
- S2 1:1

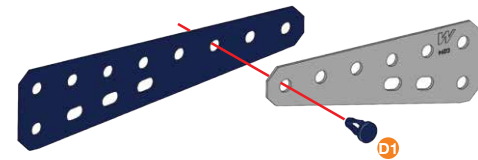


41

- D1 11.25mm | 7/16" x1
- x1

- x1

- x1



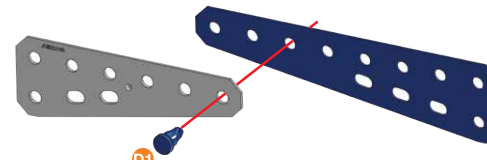
- D1 1:1

43

- D1 11.25mm | 7/16" x1
- x1

- x1

- x1



- D1 1:1

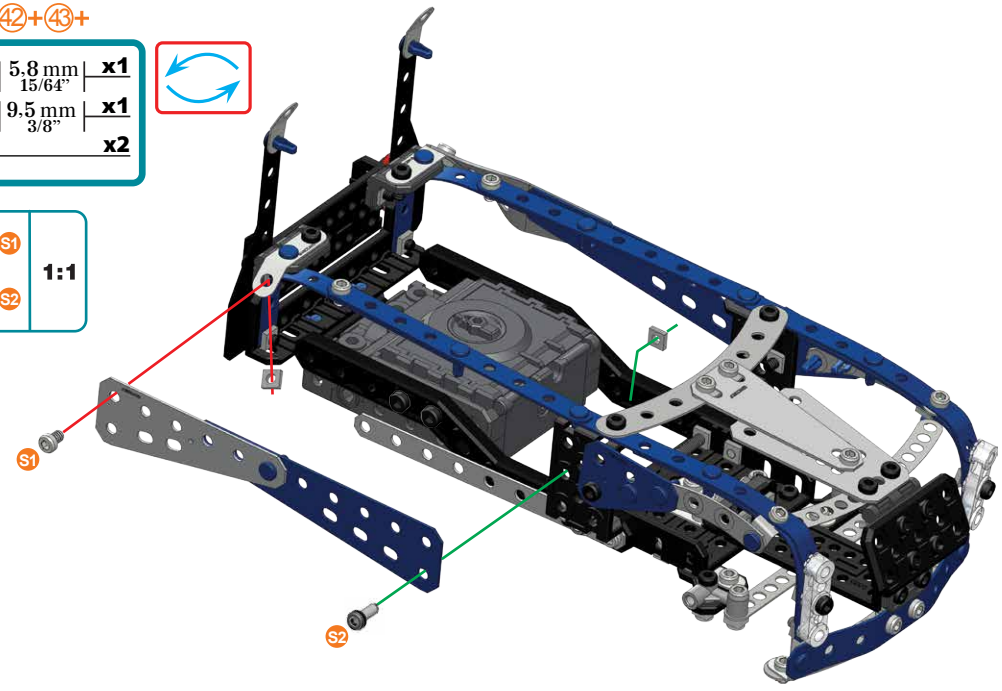
44

(42+43+)

- S1 5.8 mm | 15/64" | x1
- S2 9.5 mm | 3/8" | x1
- x2



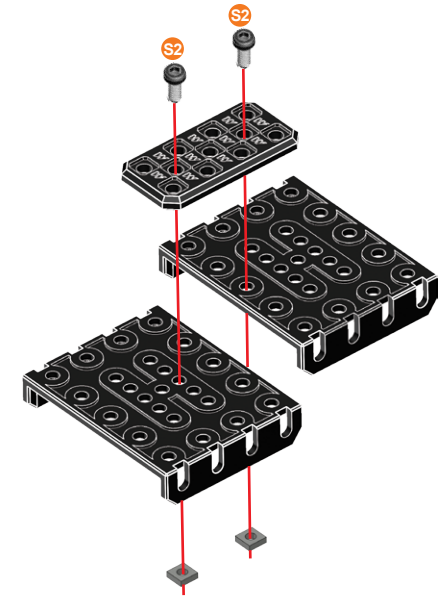
- S1 1:1
- S2 1:1



45

- S2 9.5 mm | 3/8" | x2
- x2
- x1
- x2

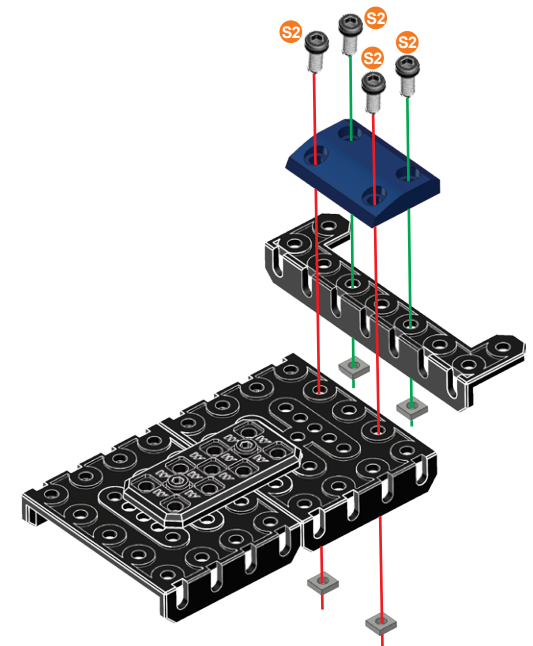
- S2 1:1



46

- S2 9.5 mm | 3/8" | x4
- x4
- x1
- x1

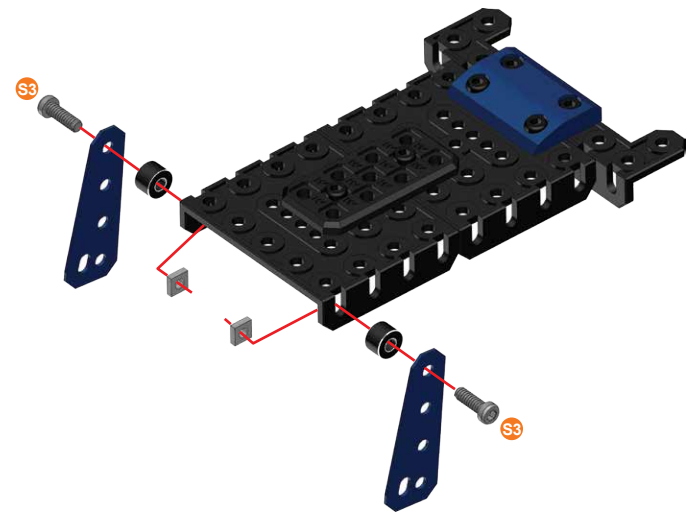
- S2 1:1





47


- S3 12 mm | 1/2" | x2
- x2
- x2
- x2

- S3 1:1
- A238

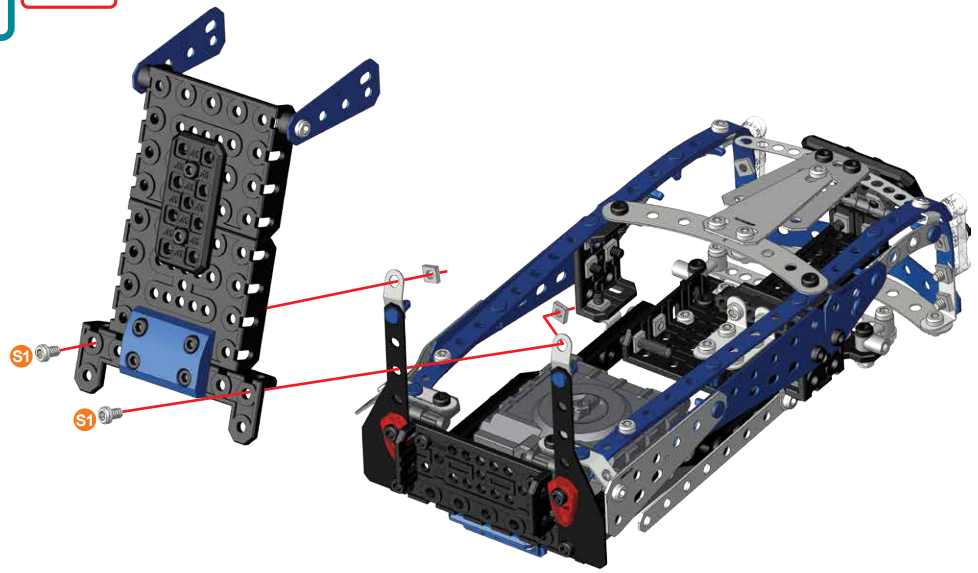


48 (44)+(47)+




	S1	5.8 mm	x2
		15/64"	x2



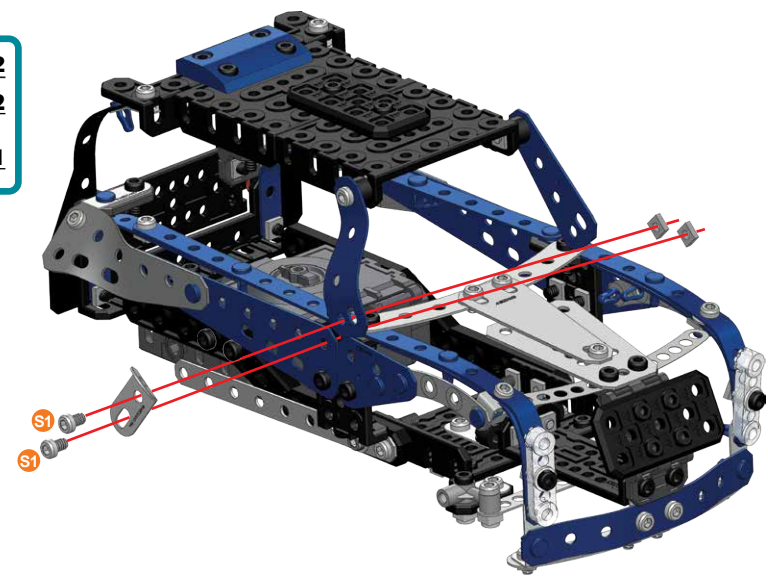
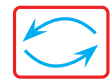
	S1	1:1
---	----	-----






49

	S1	5.8 mm	x2
		15/64"	x2
			x1

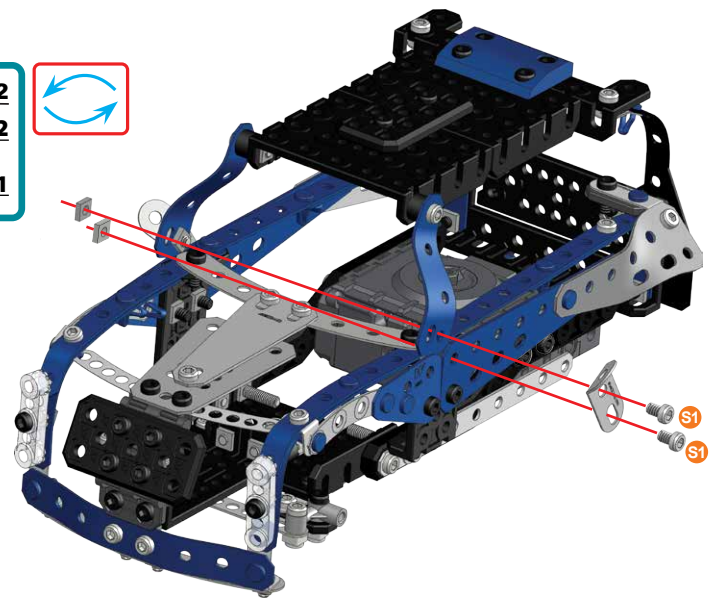
	S1	1:1
---	----	-----



50

	S1	5.8 mm	x2
		15/64"	x2
			x1

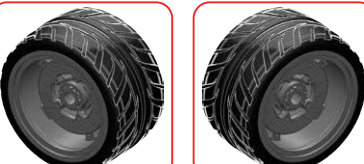
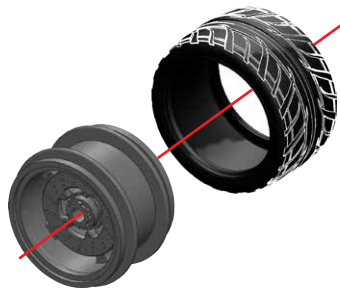
	S1	1:1
---	----	-----






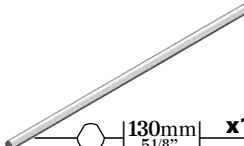
51

	x4
	x4

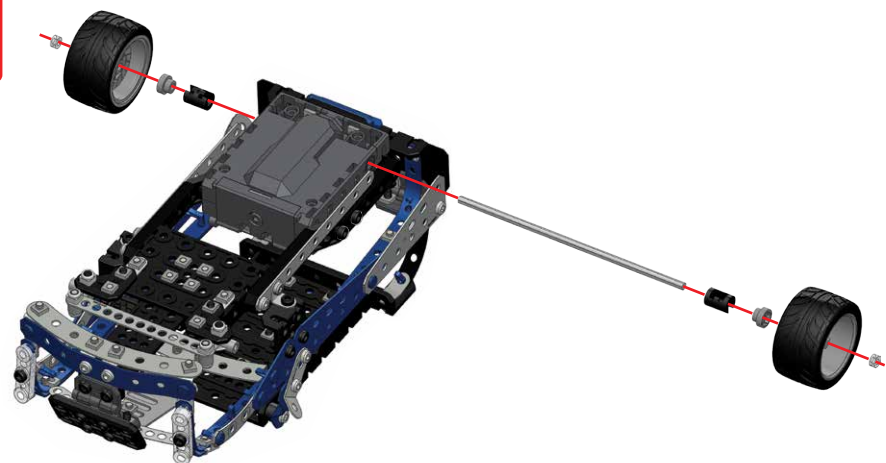
x2 **x2**



52 (50)+(51)+



	x2
	x2
	x2
	x1

130mm
5 1/8"



53 (51)+(52)+

	23 mm 15/16"	x2
		x2

	B3	1:1
	A238	

B3

