



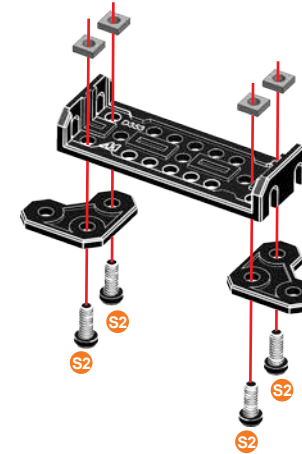






1

-  9.5 mm | 3/8" | **x4**
-  **x4**
-  **x2**
-  **x1**

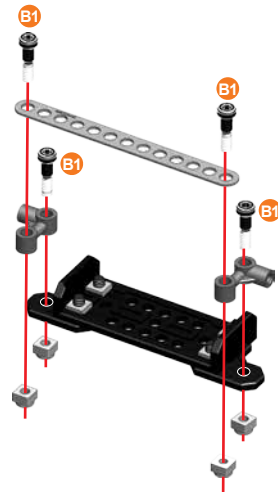
-  **1:1**







2

-  14.7 mm | 37/64" | **x4**
-  **x4**
-  **x2**
-  **x1**

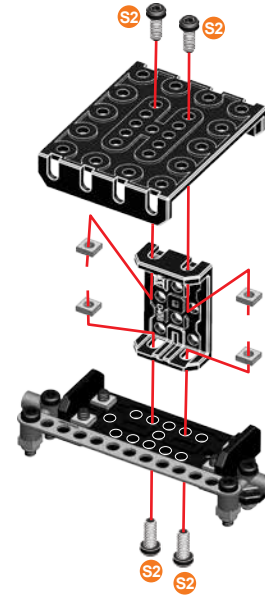
-  **1:1**



3

-  9.5 mm | 3/8" | **x4**
-  **x4**
-  **x1**
-  **x1**

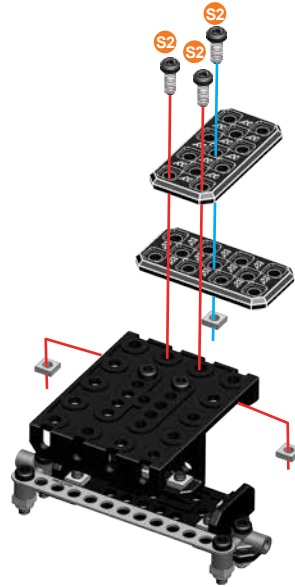
-  **1:1**



4

- 9.5 mm | 3/8" | x3
- x3
- x2

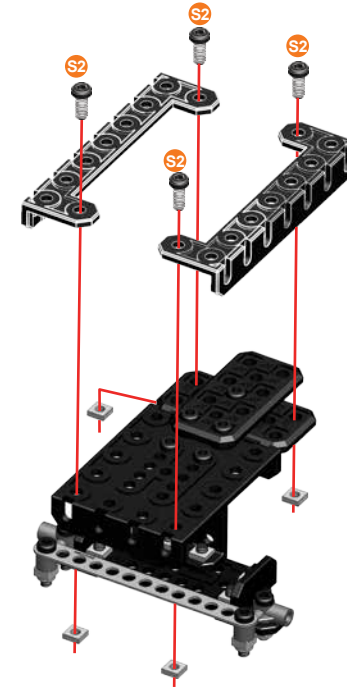
- 1:1



5

- 9.5 mm | 3/8" | x4
- x4
- x2

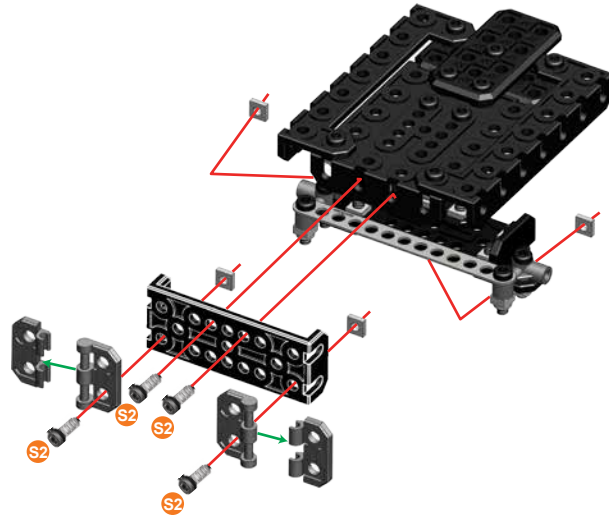
- 1:1



6

- 9.5 mm | 3/8" | x4
- x4
- x2
- x2
- x1

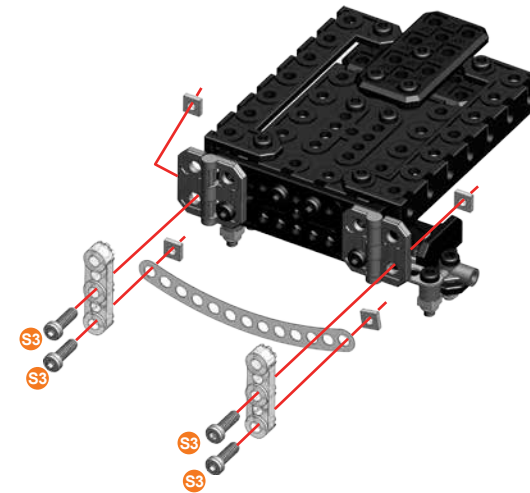
- 1:1



7

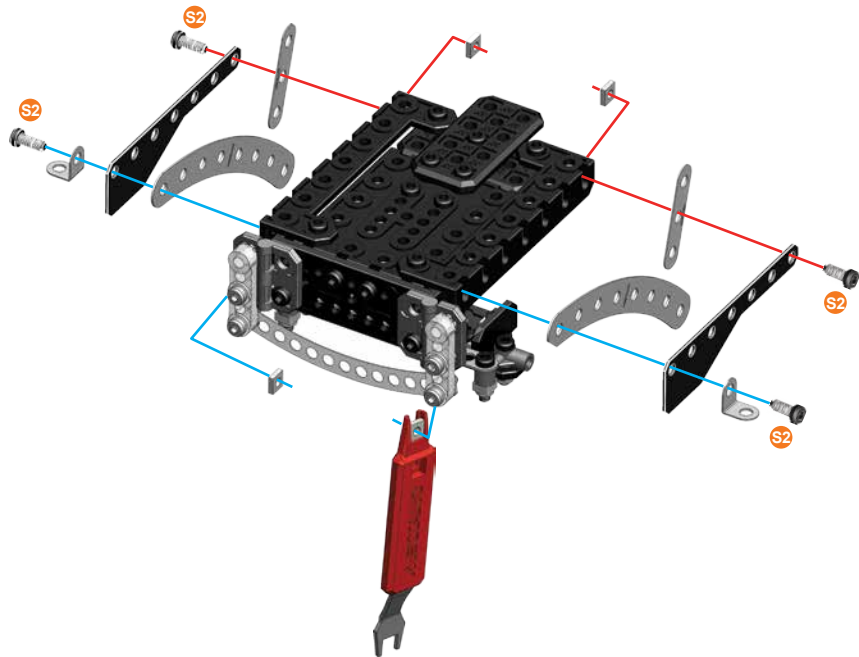
- 12 mm | 1/2" | x4
- x4
- x2
- x1

- 1:1



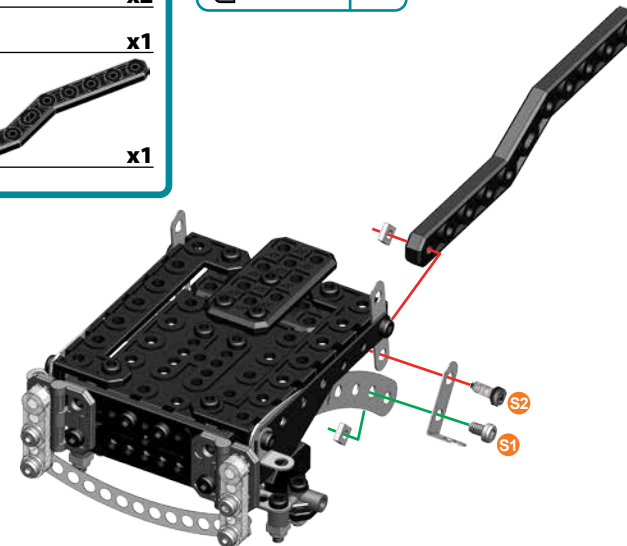
- 8**
- 9.5 mm | 3/8" | **x4**
 - | **x4**
 - | **x2**
 - | **x2**
 - | **x2**
 - | **x2**

- | **1:1**



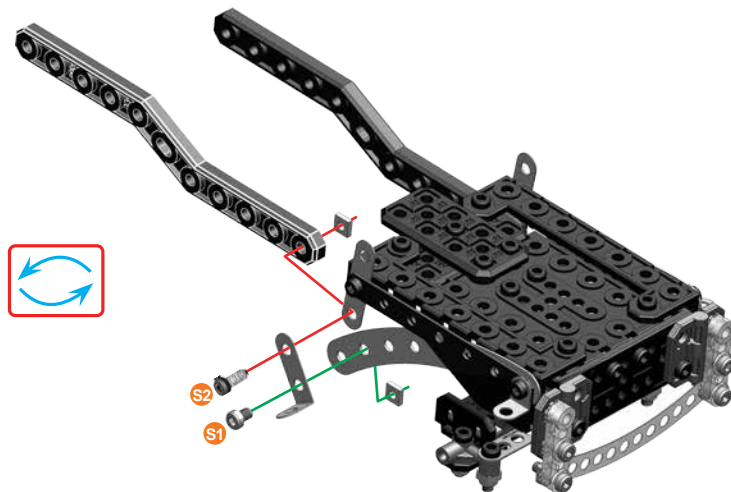
- 9**
- 5.8 mm | 15/64" | **x1**
 - 9.5 mm | 3/8" | **x1**
 - | **x2**
 - | **x1**
 - | **x1**

- | **1:1**
- | **1:1**



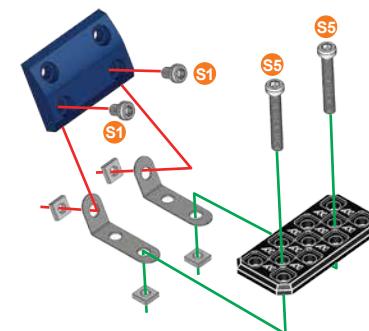
- 10**
- 5.8 mm | 15/64" | **x1**
 - 9.5 mm | 3/8" | **x1**
 - | **x2**
 - | **x1**
 - | **x1**

- | **1:1**
- | **1:1**







- 11**
- 5.8 mm | 15/64" | **x2**
 - 25.4 mm | 1" | **x2**
 - | **x4**
 - | **x2**
 - | **x1**
 - | **x1**

- | **1:1**
- | **1:1**

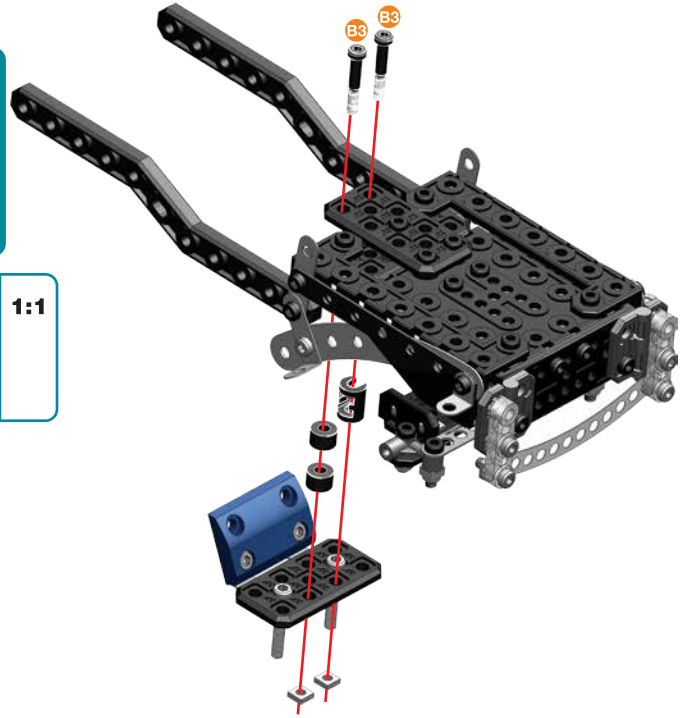


12




(10)+(11)+

-  **S3** | 23 mm | **x2**
15/16"
-  **x2**
-  **x2**
-  **x1**

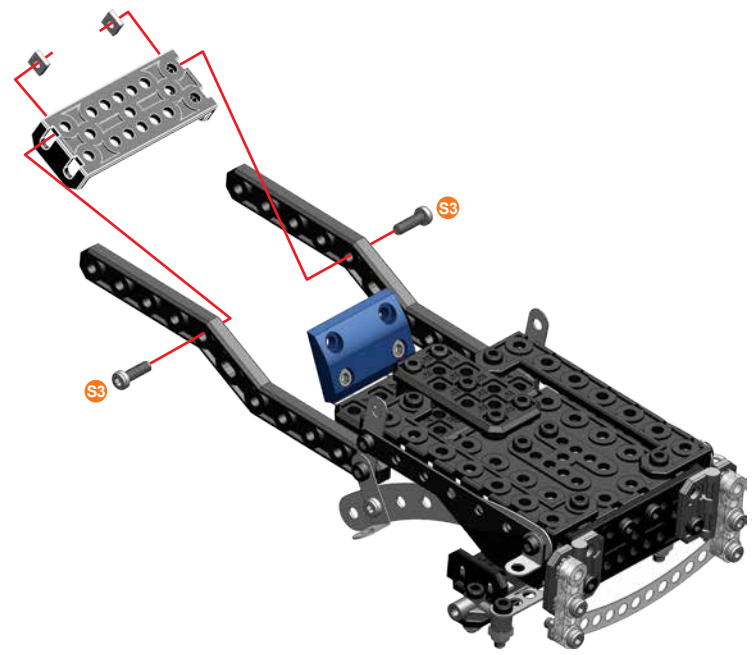
-  **S3** | **1:1**
-  **A238**






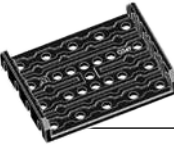
13

-  **S3** | 12 mm | **x2**
1/2"
-  **x2**
-  **x1**

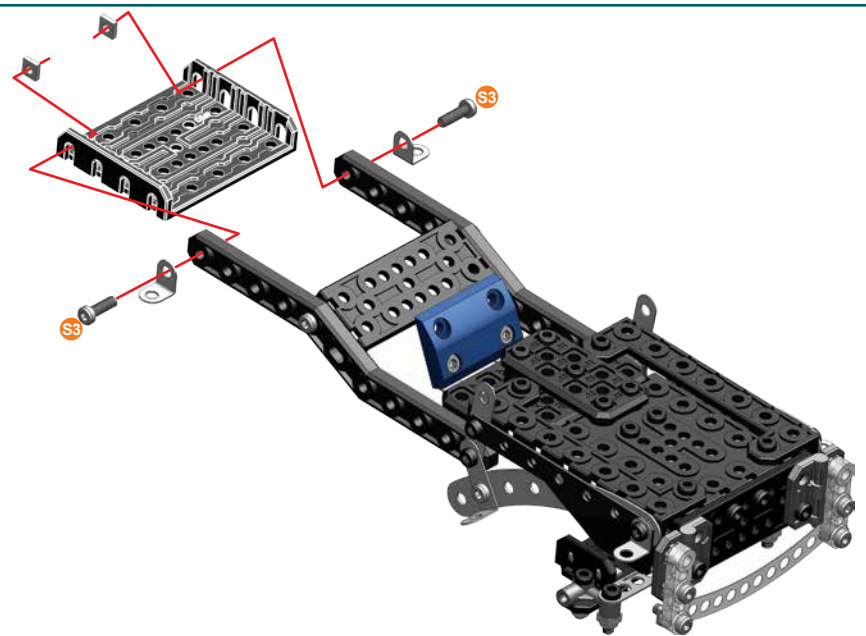
-  **S3** | **1:1**






14

-  **S3** | 12 mm | **x2**
1/2"
-  **x2**
-  **x2**
-  **x1**

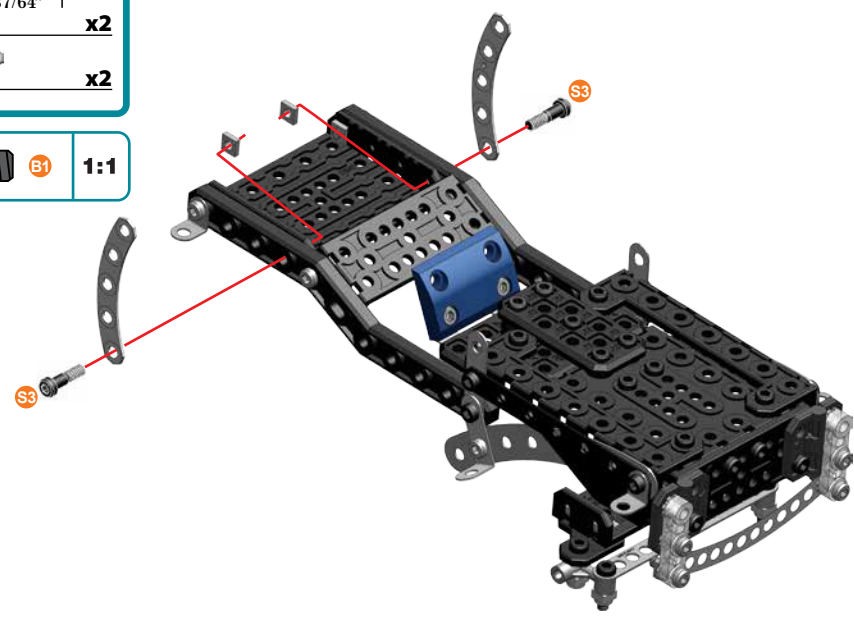
-  **S3** | **1:1**






15

-  B1 | 14.7 mm | x2
37/64"
-  x2
-  x2

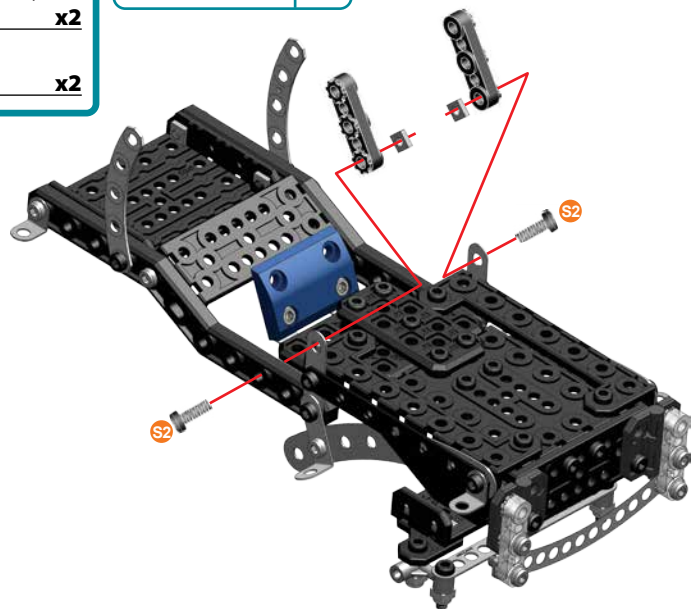
-  B1 | 1:1






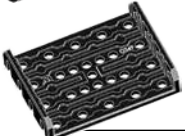
16

-  S3 | 12 mm | x4
1/2"
-  x2
-  x2

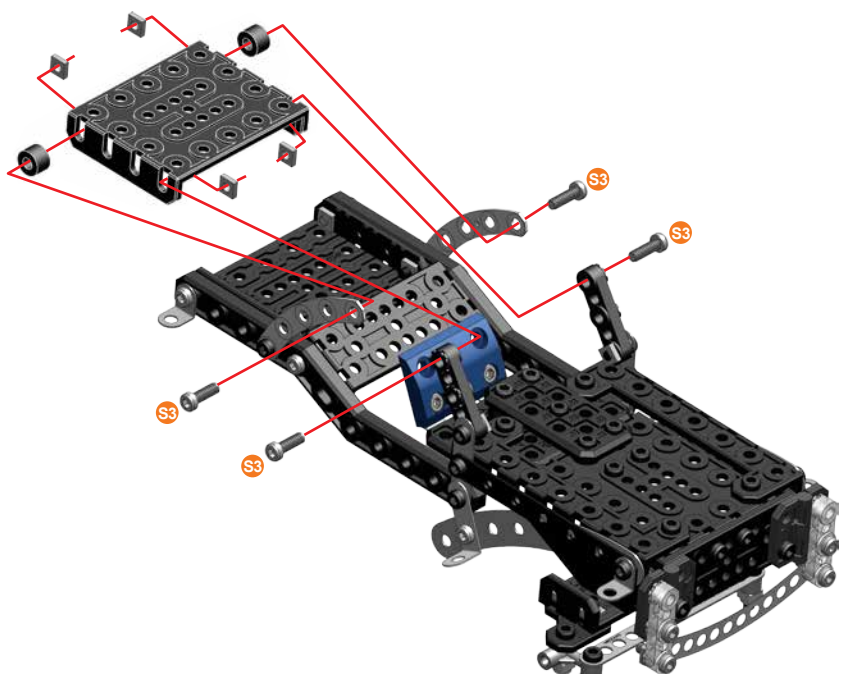
-  S3 | 1:1



17

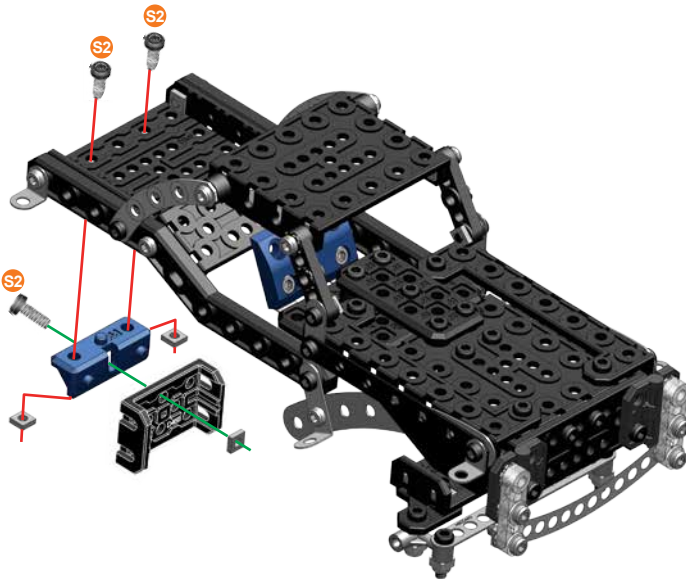
-  S3 | 12 mm | x4
1/2"
-  x4
-  x2
-  x1

-  S3 | 1:1
-  A238



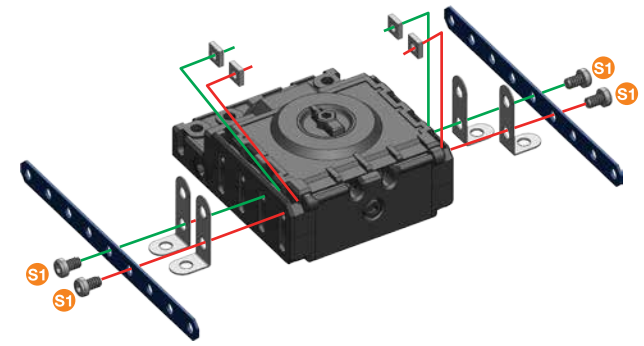
18

- 9.5 mm | 3/8" | x3
- x3
- x1
- x1



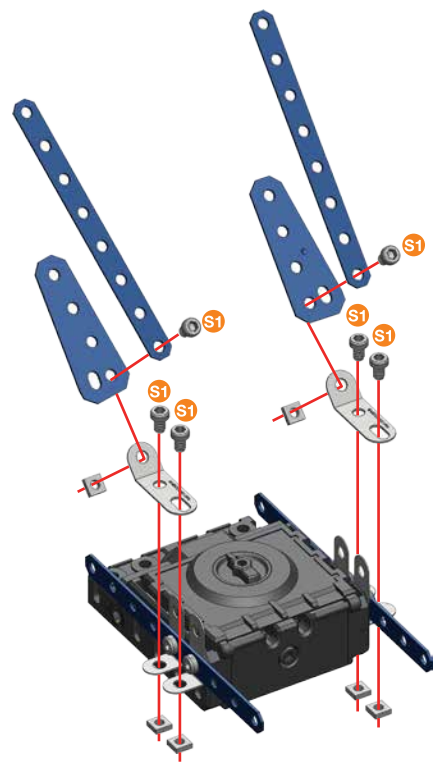
19

- 5.8 mm | 15/64" | x4
- x4
- x2
- x1



20

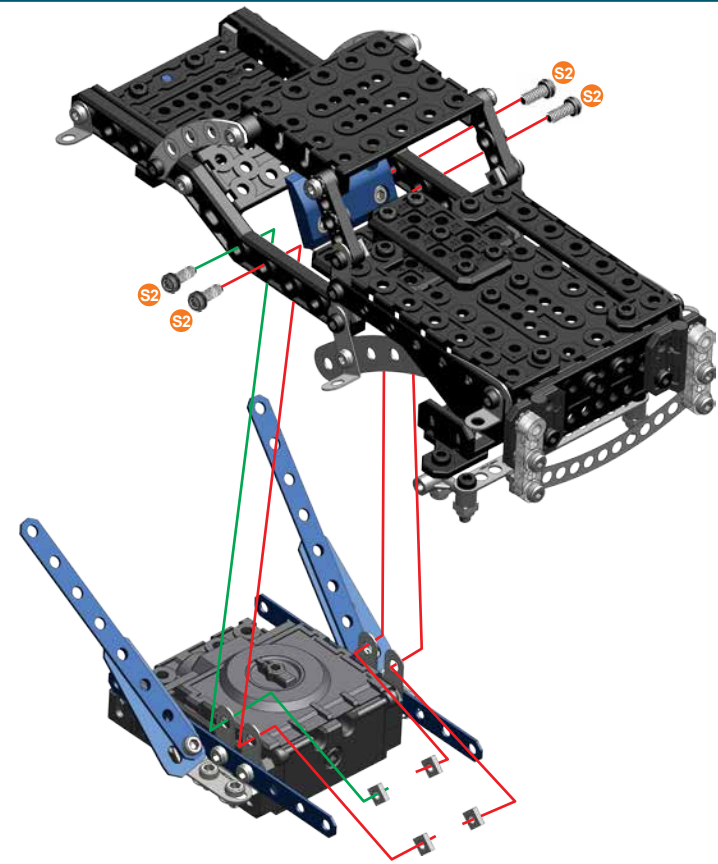
- 5.8 mm | 15/64" | x6
- x6
- x2
- x2
- x2



21

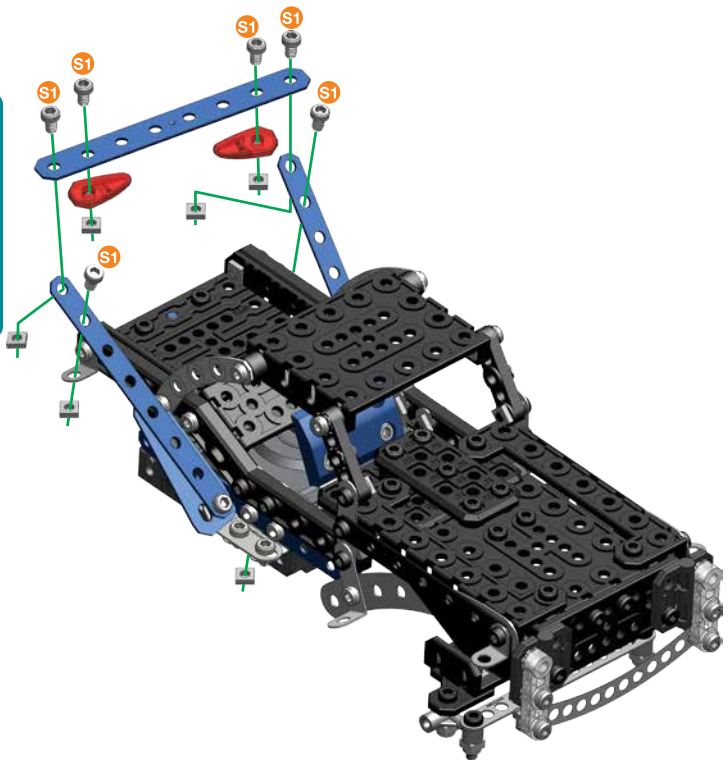
18+20+

- 9.5 mm | 3/8" | x4
- x4



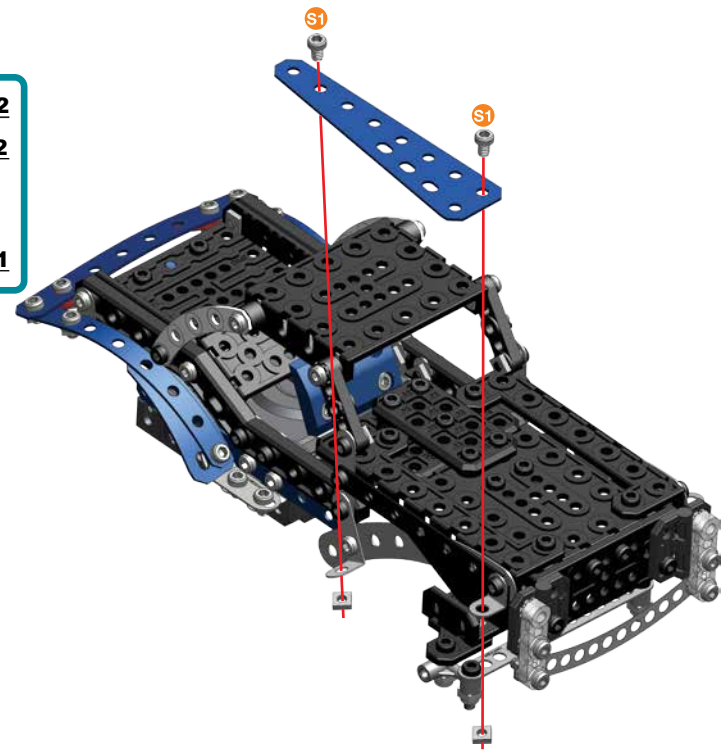
22

- 5.8 mm | 15/64" x6
- x6
- x2
- x1



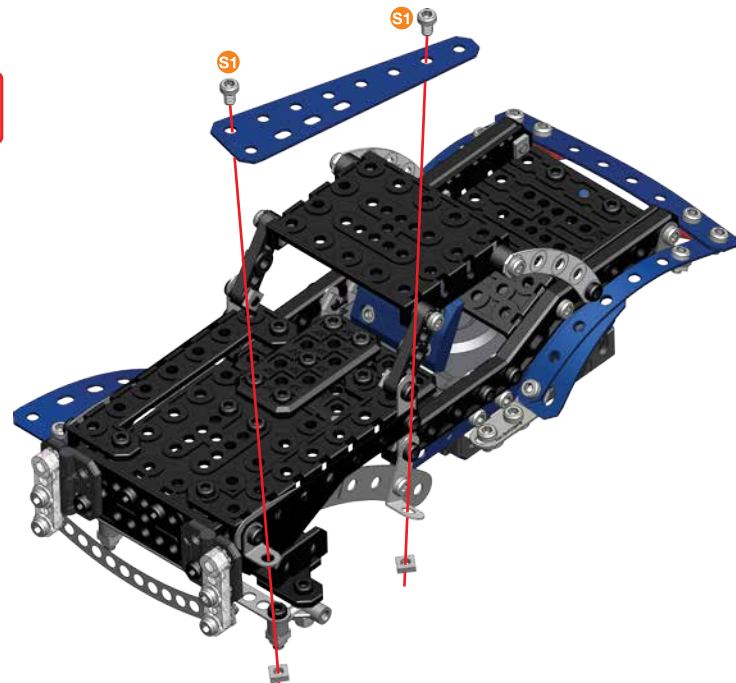
23

- 5.8 mm | 15/64" x2
- x2
- x1

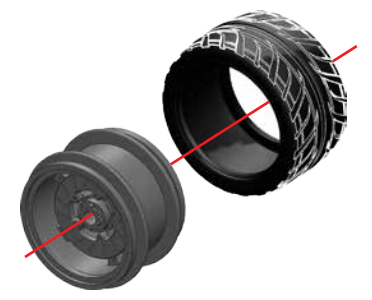
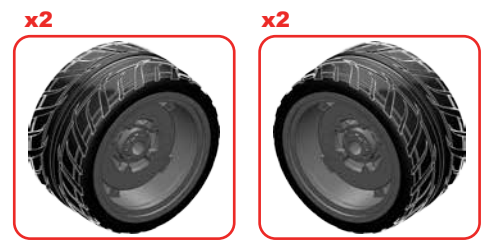


24

- 5.8 mm | 15/64" x2
- x2
- x1

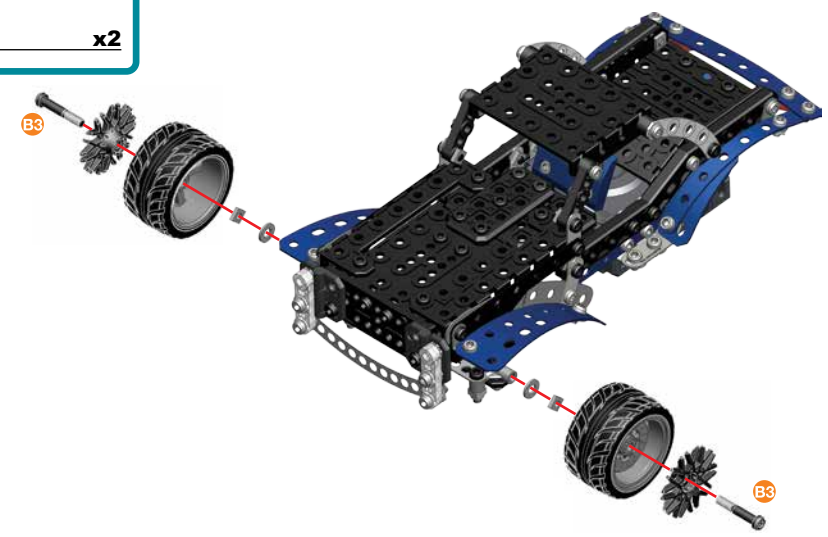
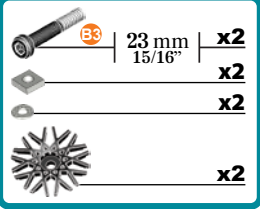


25



26

24+25+



27

25+26+

