






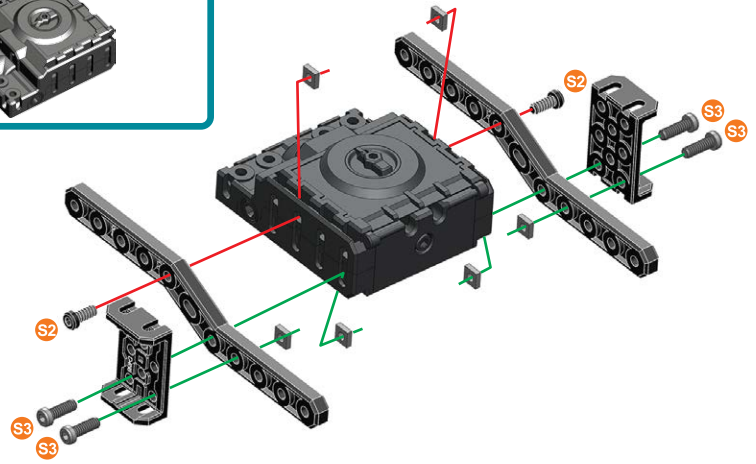







# 1



-  12 mm | 1/2" | **x4**
-  9.5 mm | 3/8" | **x2**
-  | **x6**
-  **x2**
-  **x2**

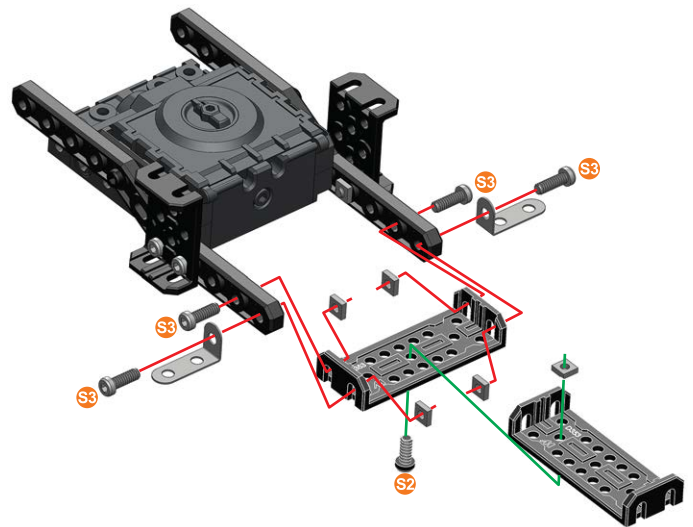
-  | **1:1**
-  | **1:1**



# 2



-  9.5 mm | 3/8" | **x1**
-  12 mm | 1/2" | **x4**
-  | **x5**
-  **x2**
-  **x2**

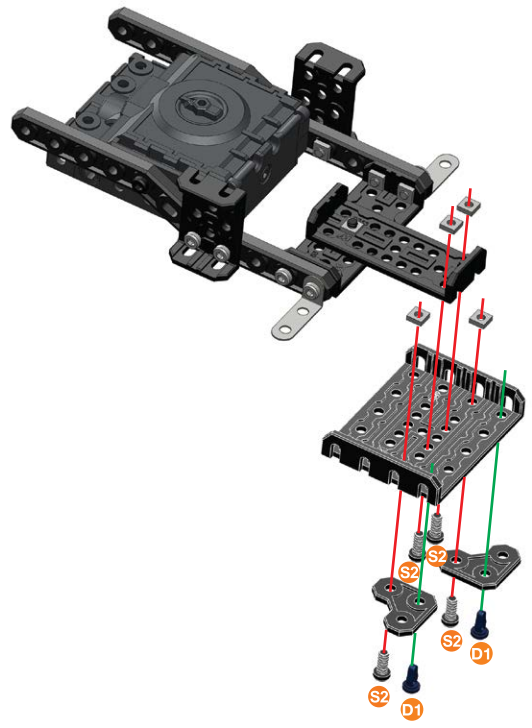
-  | **1:1**
-  | **1:1**



# 3

-  9.5 mm | 3/8" | **x4**
-  | **x4**
-  11.25mm | 7/16" | **x2**
-  **x1**
-  **x2**

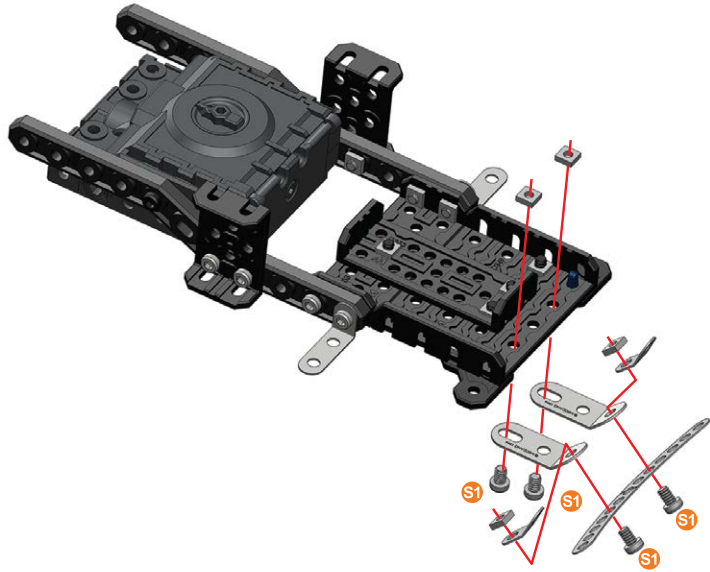
-  | **1:1**
-  | **1:1**



# 4

- 5.8 mm | 15/64" | x4
- x4
- x2
- x2
- x1

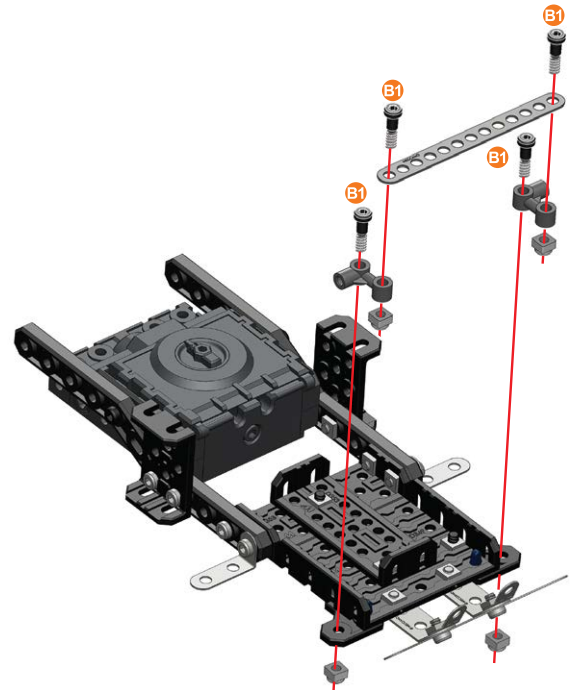
- 1:1



# 5

- 14.7 mm | 37/64" | x4
- x4
- x2
- x1

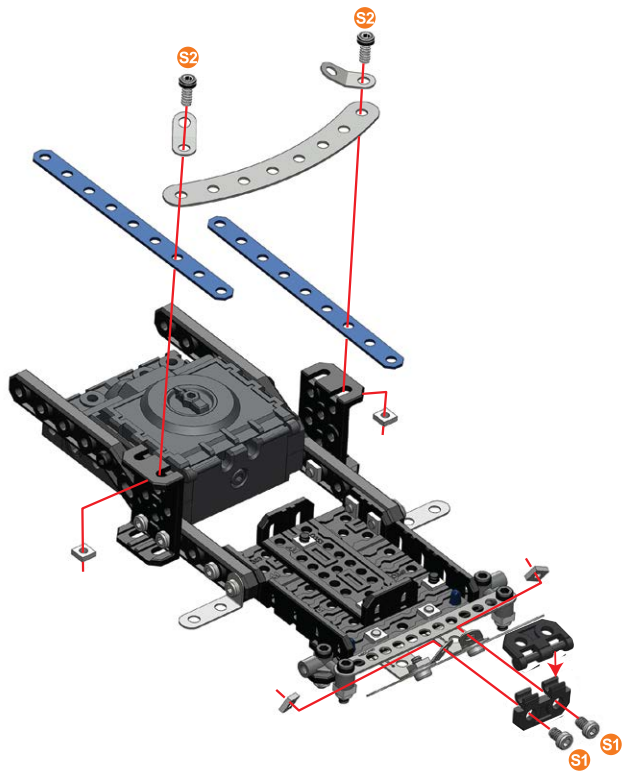
- 1:1



# 6

- 5.8 mm | 15/64" | x2
- 9.5 mm | 3/8" | x2
- x4
- x2
- x2
- x1
- x1
- x1

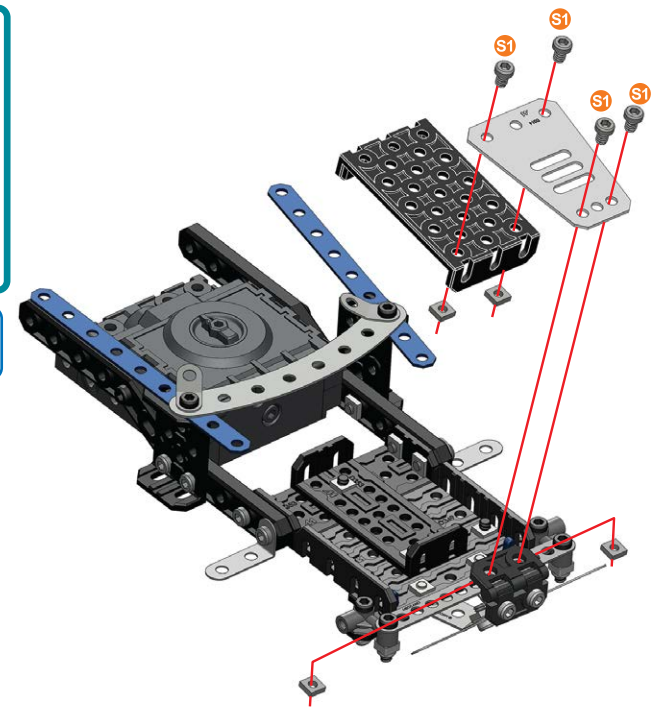
- 1:1
- 1:1



# 7

- 5.8 mm | 15/64" | x4
- x4
- x1
- x1

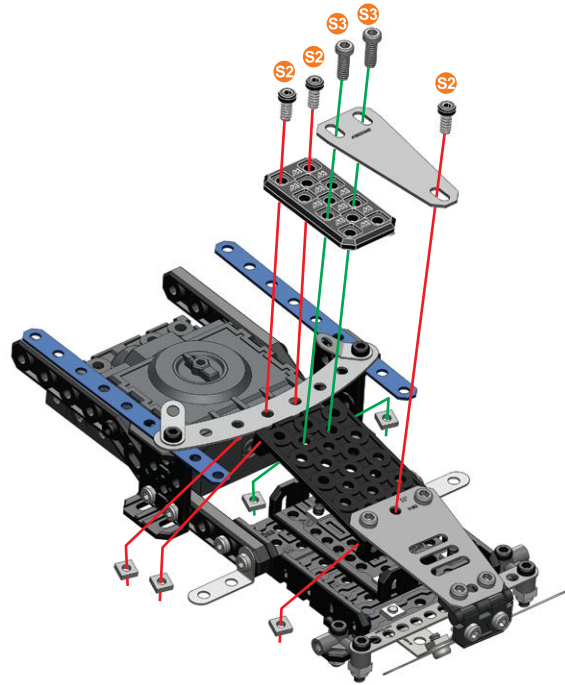
- 1:1



8

- 9.5 mm | 3/8" | x3
- 12 mm | 1/2" | x2
- x5
- x1
- x1

- x1
  - x1
- 1:1

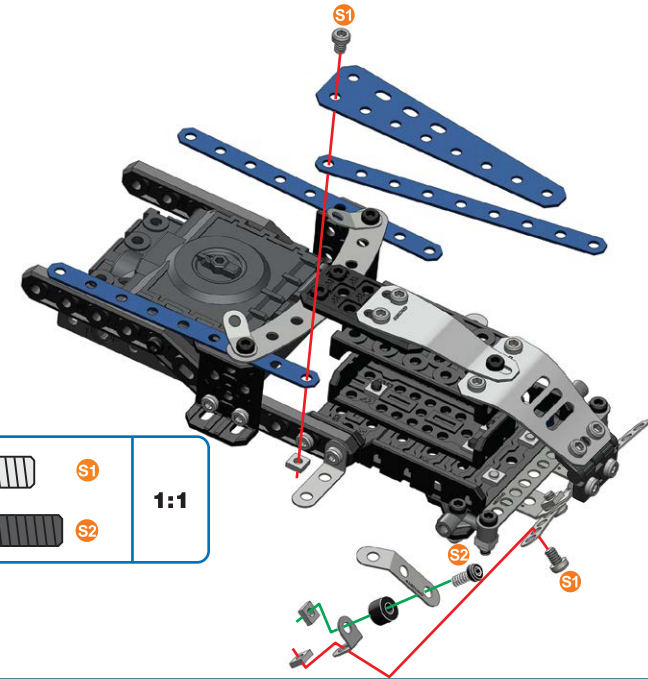


9

- 5.8 mm | 15/64" | x2
- 9.5 mm | 3/8" | x1
- x3
- x1
- x1
- x1
- x1
- x1

- x1
  - x1
- 1:1

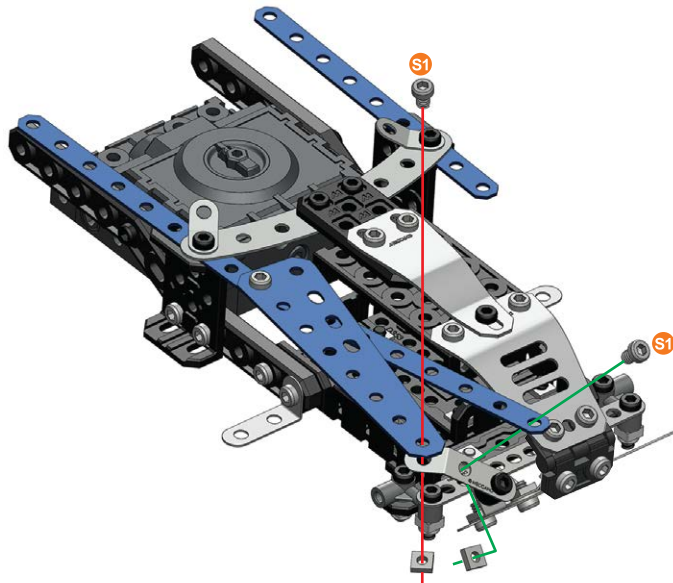
- A238 | 1:1



10

- 5.8 mm | 15/64" | x2
- x2

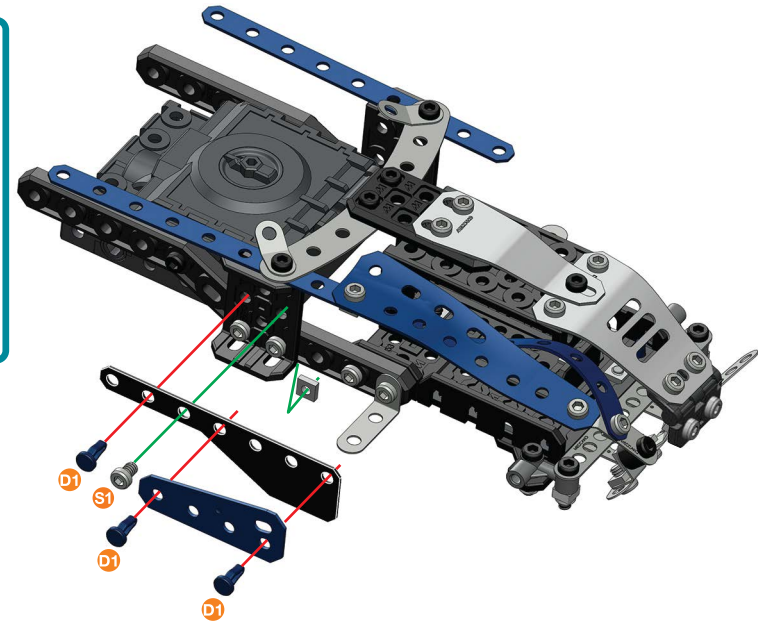
- x1
- 1:1



11

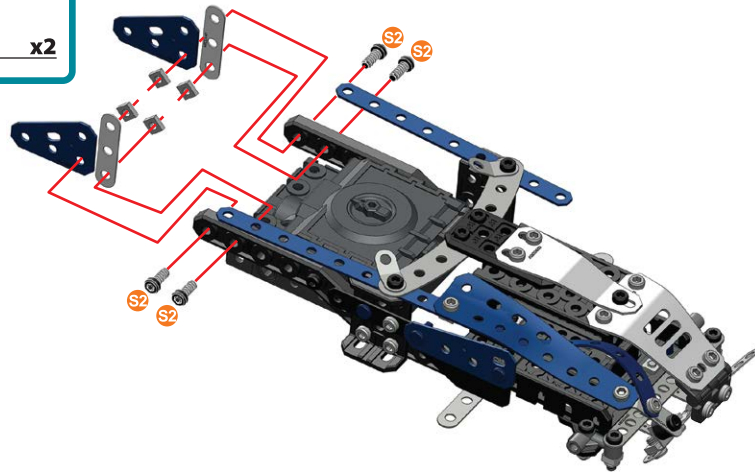
- 5.8 mm | 15/64" | x1
- x1
- 11.25 mm | 7/16" | x3
- x1
- x1

- x1
  - x1
- 1:1



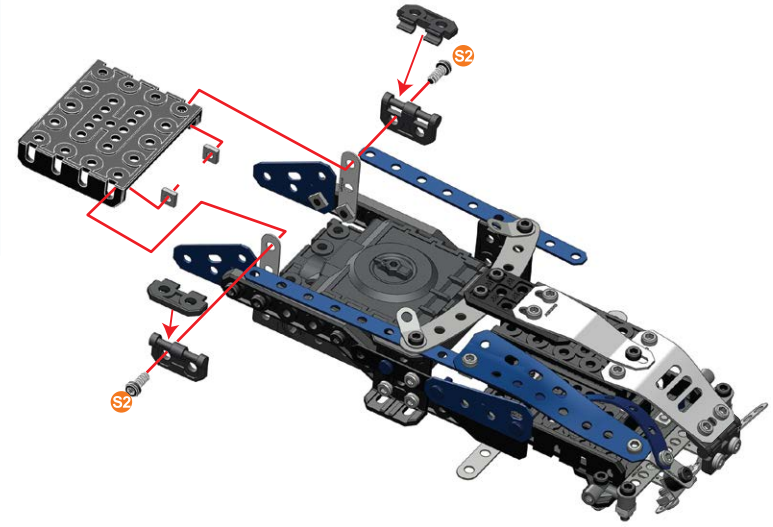
# 12

- 9,5 mm | 3/8" | **x4**
- x4**
- x2**
- x2**



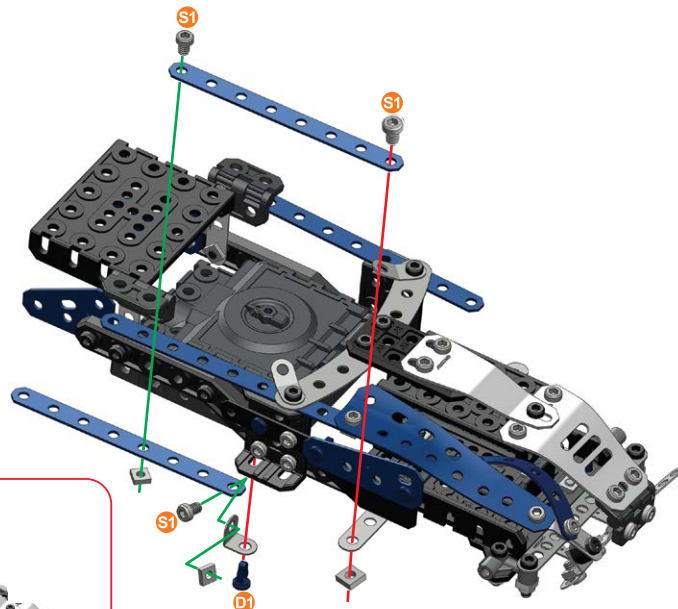
# 13

- 9,5 mm | 3/8" | **x2**
- x2**
- x2**
- x1**



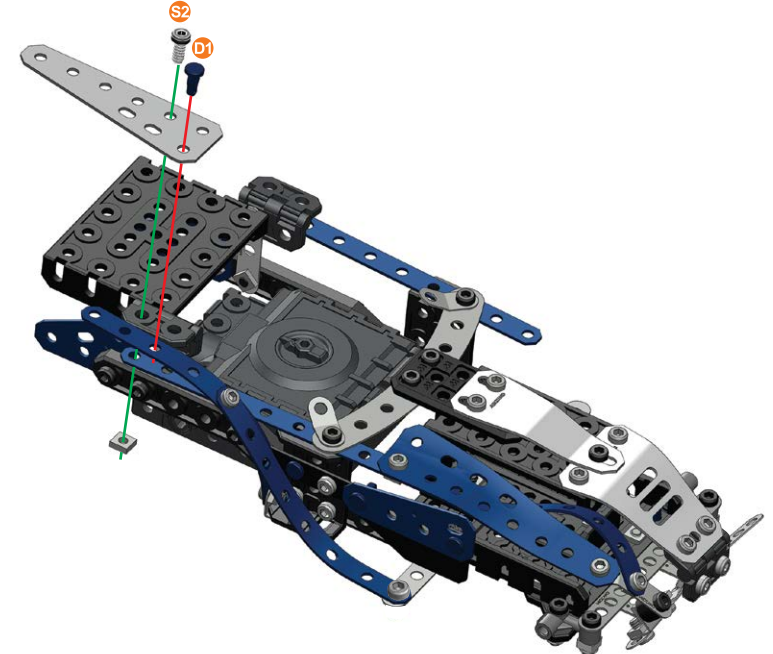
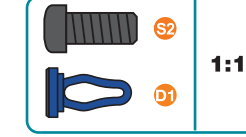
# 14

- 5,8 mm | 15/64" | **x3**
- x3**
- 11,25mm | 7/16" | **x1**
- x2**
- x1**




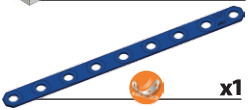
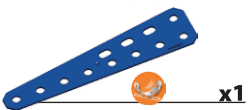





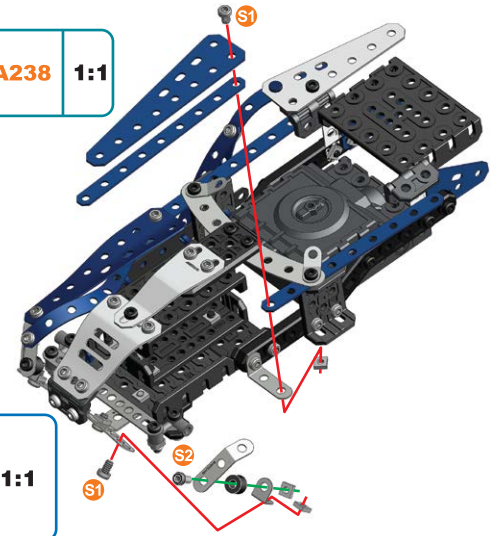
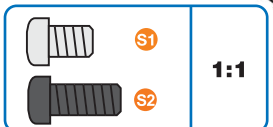
# 15

- 9,5 mm | 3/8" | **x1**
- x1**
- 11,25mm | 7/16" | **x1**
- x1**





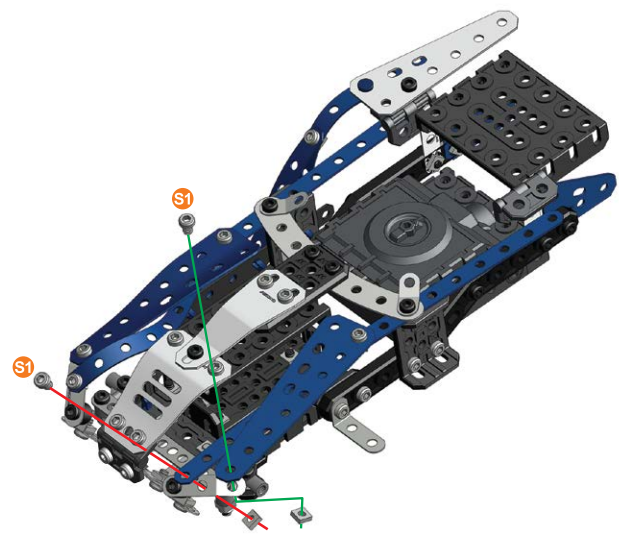
# 16

-  5.8 mm | 15/64" | **x2**
-  9.5 mm | 3/8" | **x1**
-  **x3**
-  **x1**
-  **x1**
-  **x1**
-  **x1**
-  **x1**








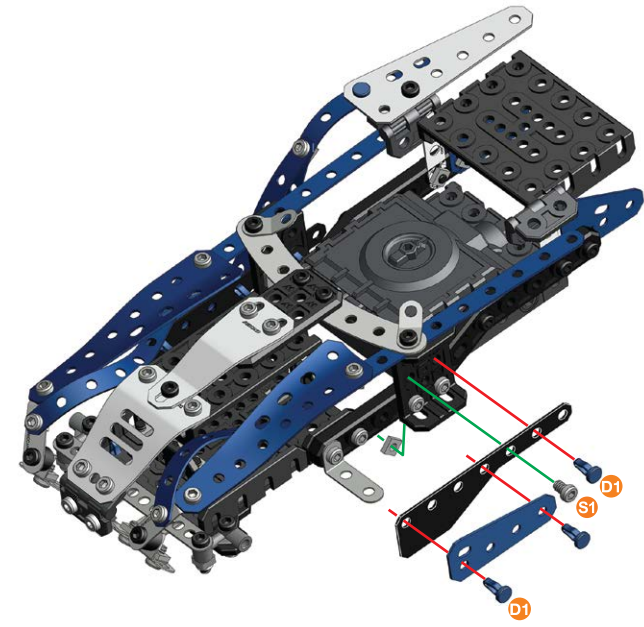
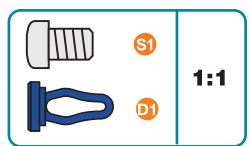
# 17

-  5.8 mm | 15/64" | **x2**
-  **x2**




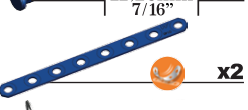



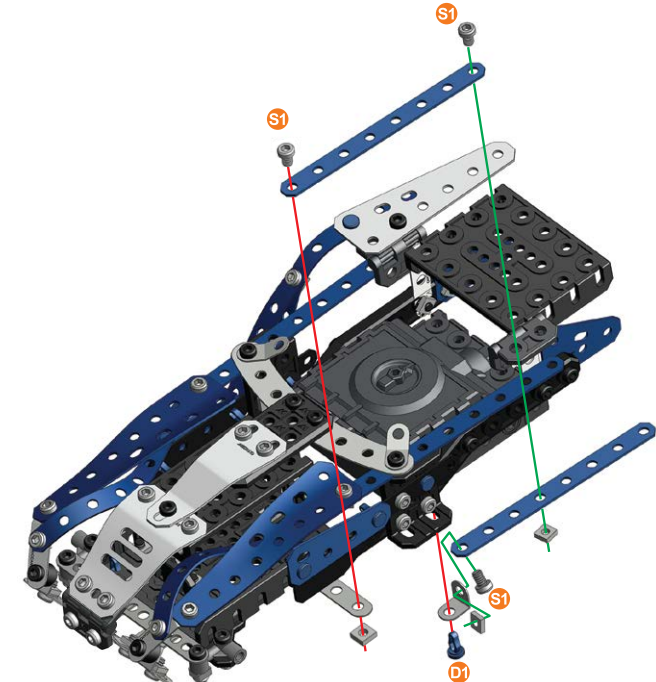
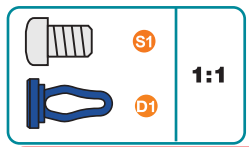
# 18

-  5.8 mm | 15/64" | **x1**
-  **x1**
-  11.25mm | 7/16" | **x3**
-  **x1**
-  **x1**



# 19

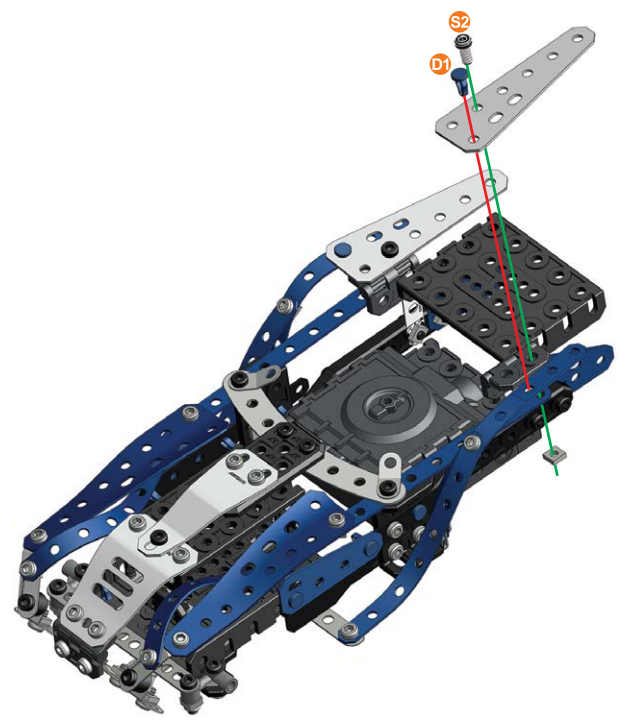
-  5.8 mm | 15/64" | **x3**
-  **x3**
-  11.25mm | 7/16" | **x2**
-  **x2**
-  **x1**



# 20

- 9,5 mm | 3/8" | **x1**
- x1**
- 11,25mm | 7/16" | **x1**
- x1**

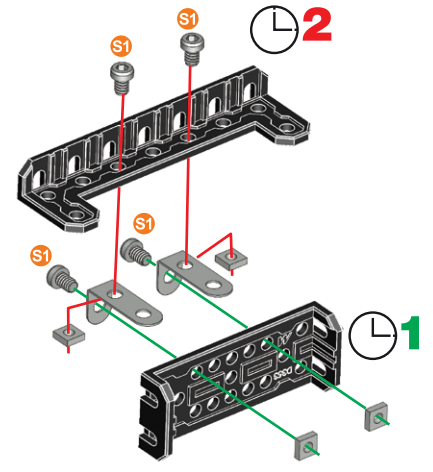
- 1:1**
- 1:1**



# 21

- 5,8 mm | 15/64" | **x4**
- x4**
- x2**
- x1**
- x1**

- 1:1**

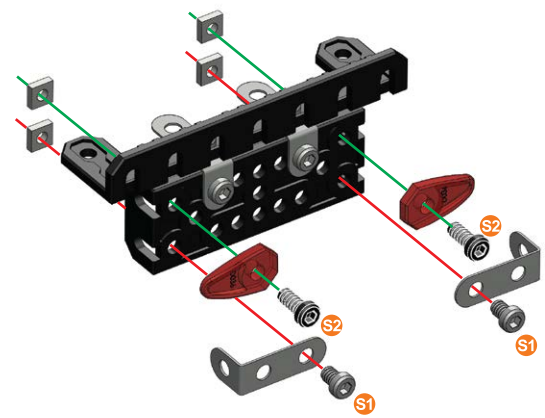


# 22

- 9,5 mm | 3/8" | **x2**
- 5,8 mm | 15/64" | **x2**
- x4**
- x2**
- x2**



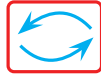
- 1:1**
- 1:1**



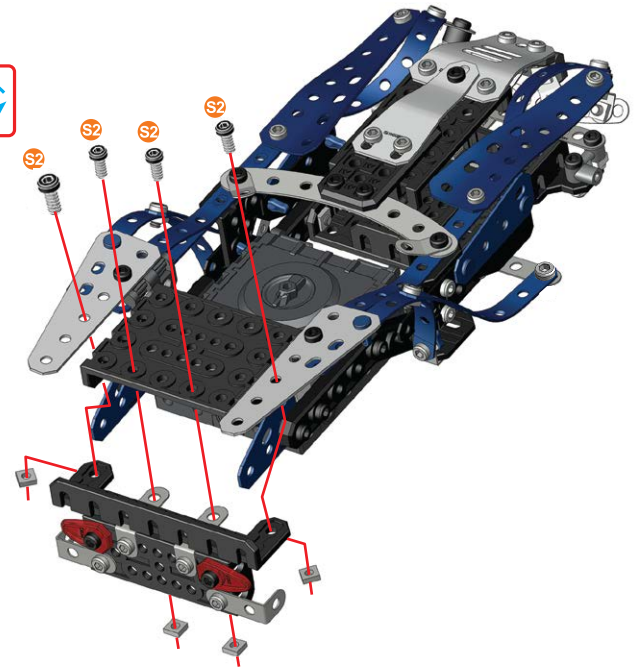
# 23

20+22+

- 9,5 mm | 3/8" | **x4**
- x4**



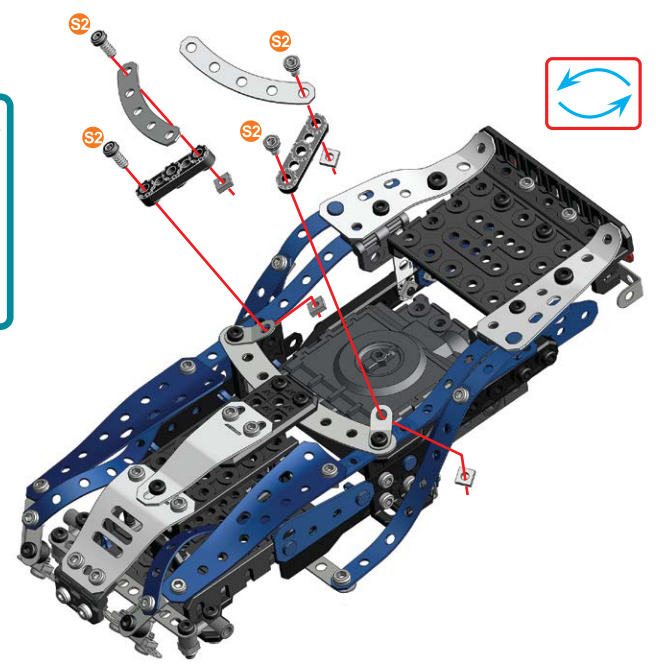
- 1:1**



# 24

- 9.5 mm | 3/8" | **x4**
- x4**
- x2**
- x2**

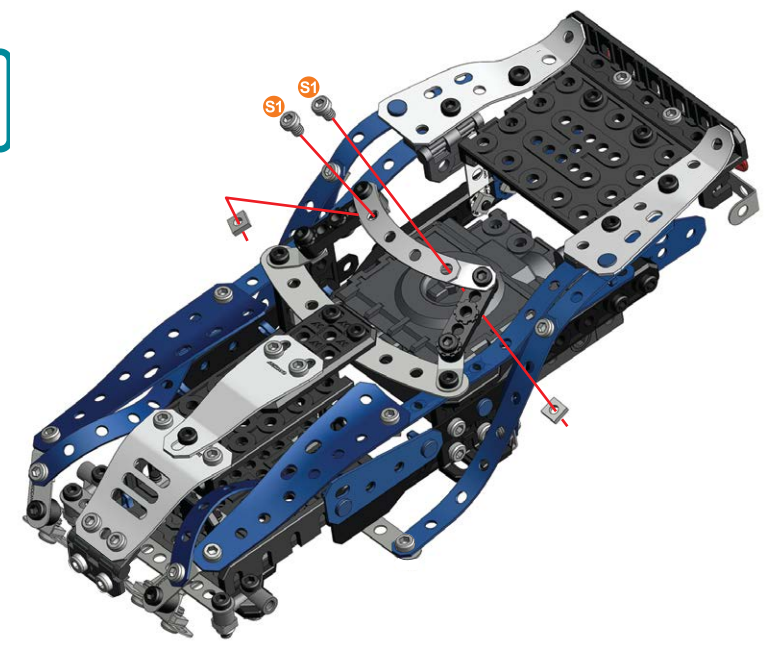
- S2** | **1:1**



# 25

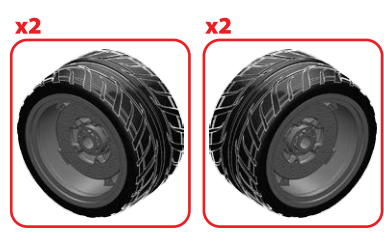
- 5.8 mm | 15/64" | **x2**
- x2**

- S1** | **1:1**





# 26



- x4**
- x4**

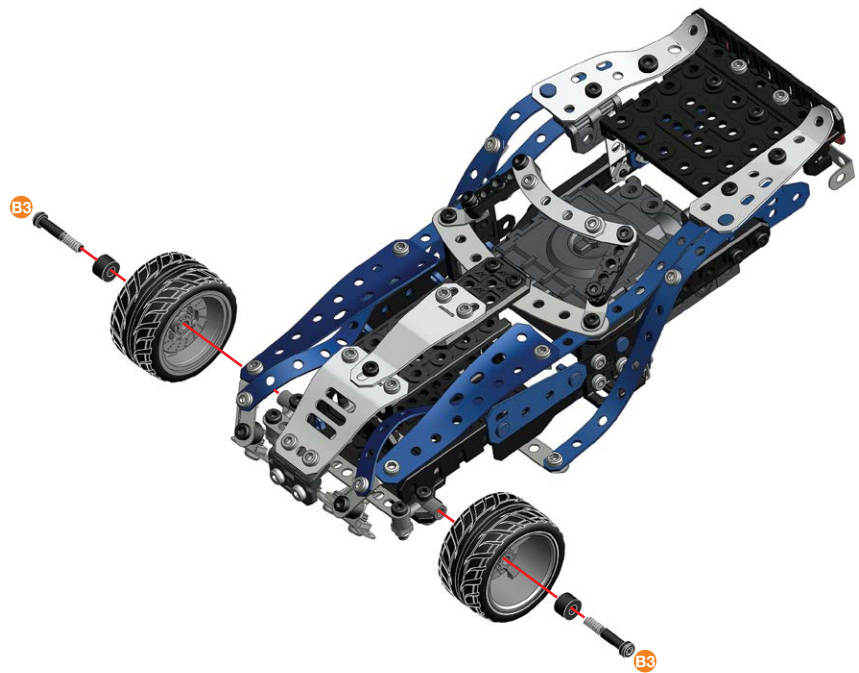


# 27

25+26+




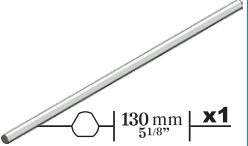
	23 mm 1 5/16"	x2
		x2

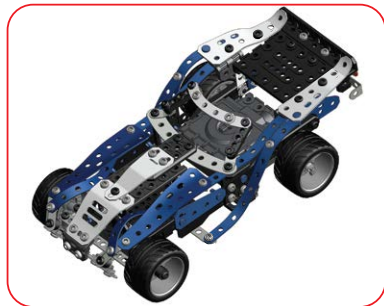
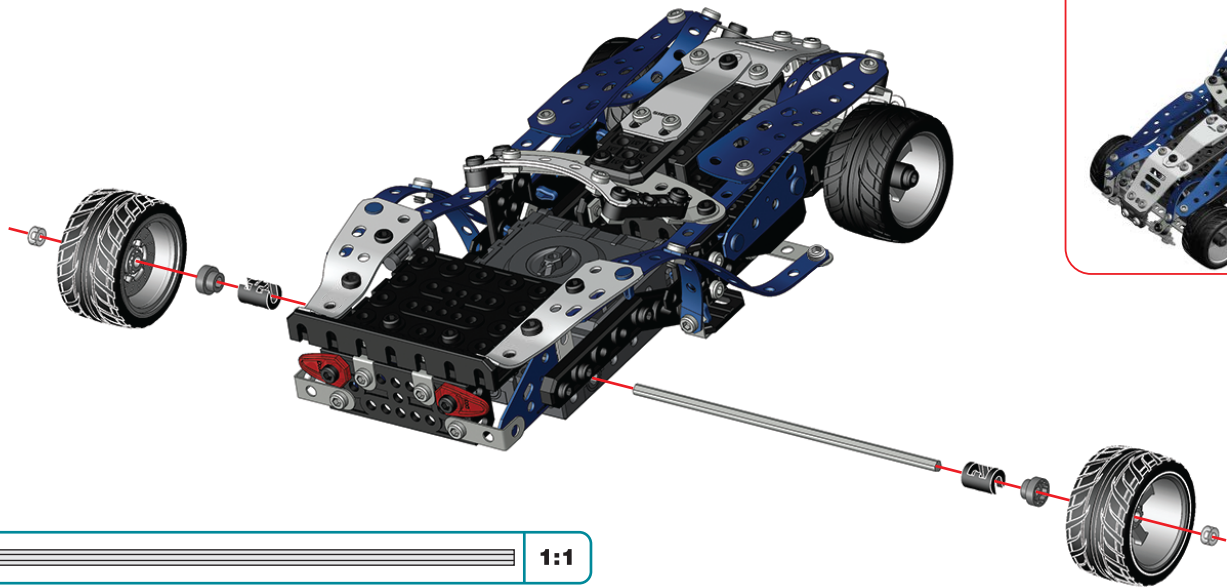
	B3	1:1
	A238	



# 28

26+27+

	x2	
	x2	
	x2	
	130 mm 5 1/8"	x1



	1:1
--	-----