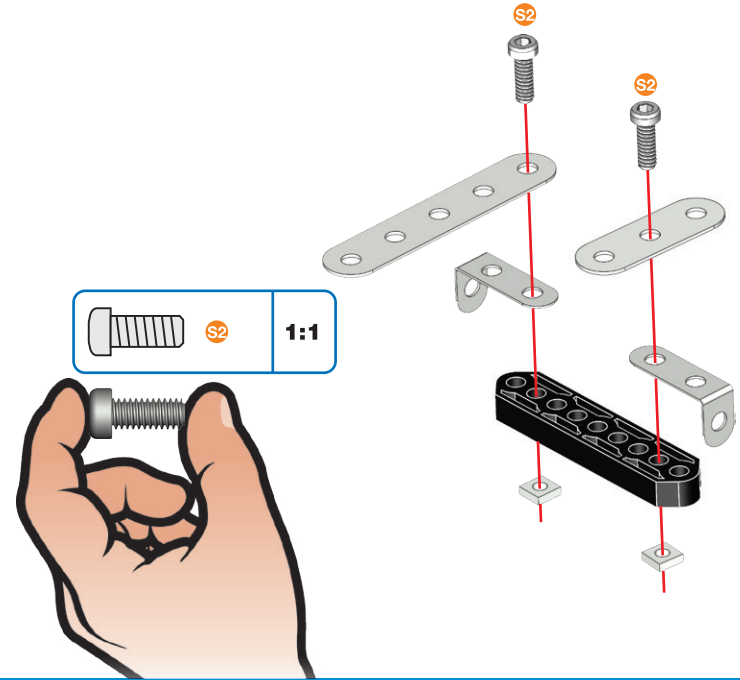


1

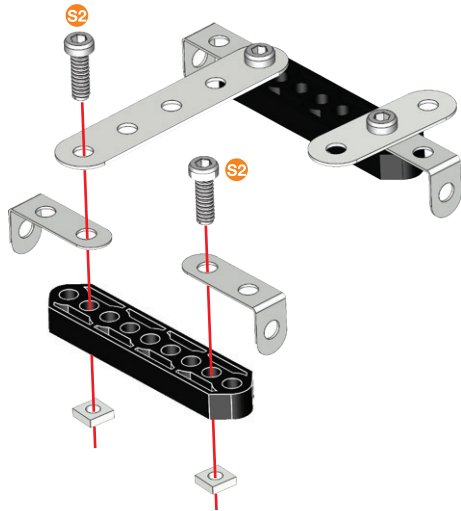
- 9.5 mm | x2  
3/8 in  
3/8 po
- | x2
- | x2
- | x1
- | x1
- | x1



2

- 9.5 mm | x2  
3/8 in  
3/8 po
- | x2
- | x2
- | x1

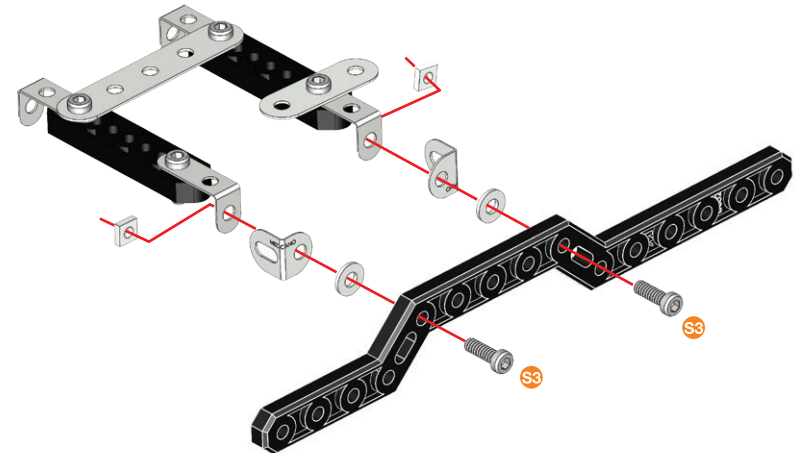
- | 1:1



3

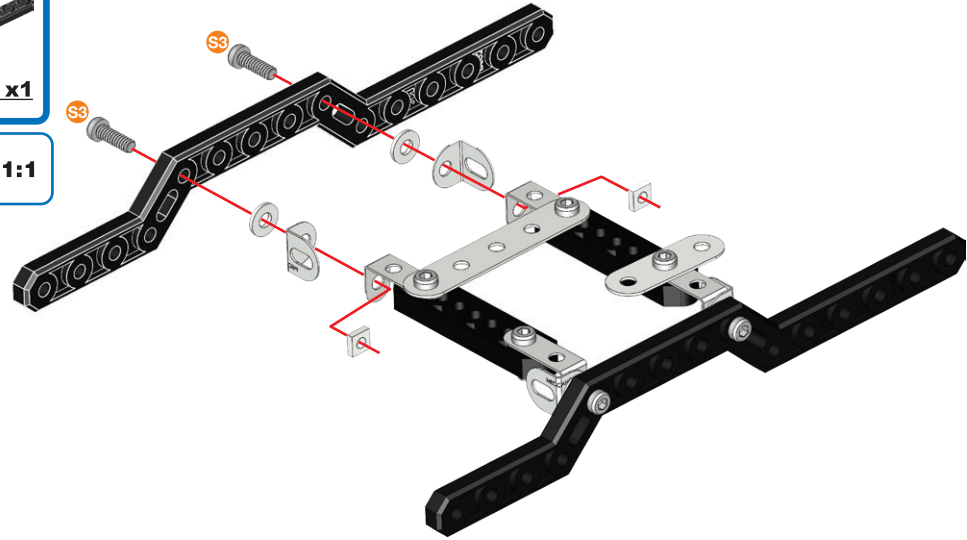
- 12 mm | x2  
1/2 in  
1/2 po
- | x2
- | x2
- | x1

- | 1:1



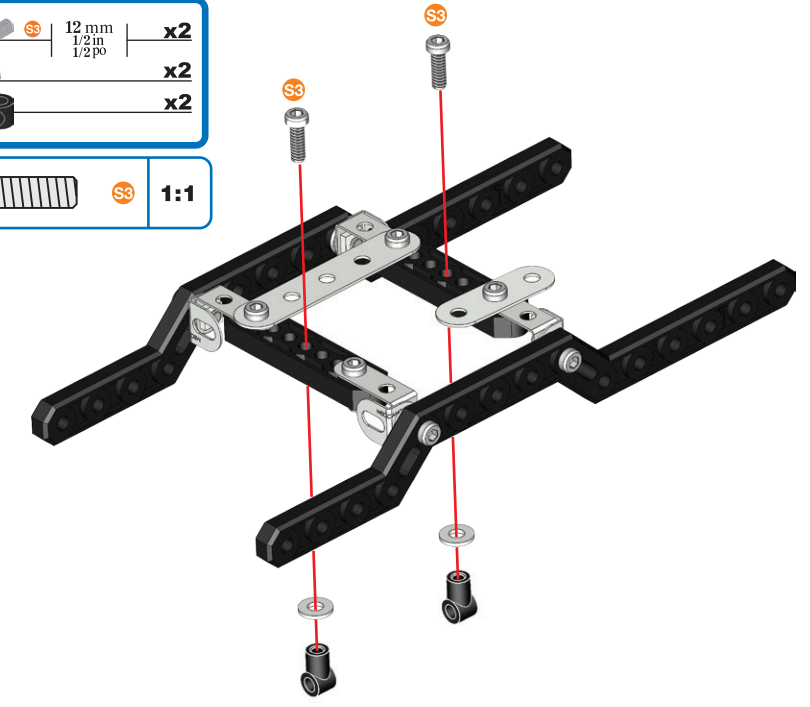
4

- 12 mm | 1/2 in | 1/2 po | x2
- x2
- x2
- x2
- x2
- x1
- 1:1



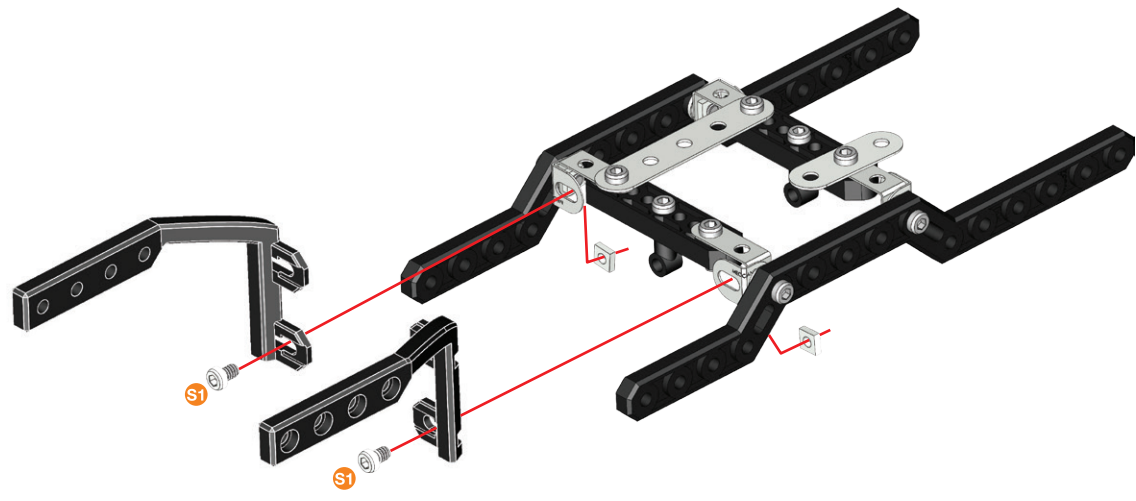
5

- 12 mm | 1/2 in | 1/2 po | x2
- x2
- x2
- x2
- 1:1



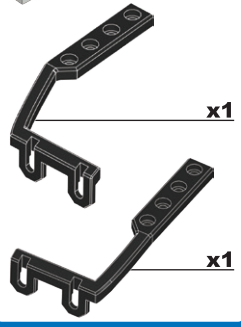
6

- 5.8 mm | 15/64 in | 15/64 po | x2
- x2
- x1
- x1
- 1:1



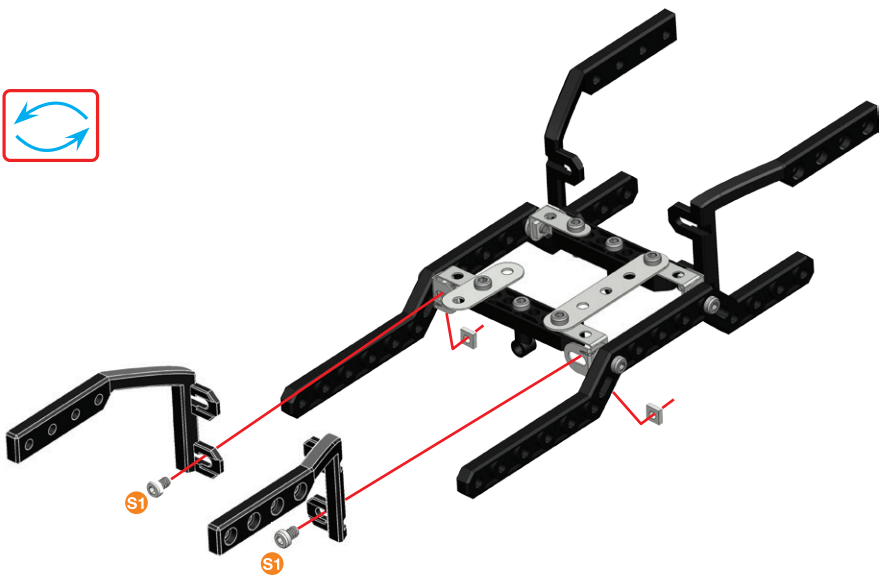
7

S1 5.8 mm | 15/64 in | 15/64 po x2  
x2



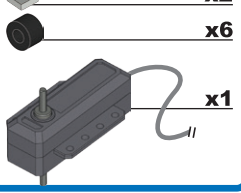
x1

x1



8

S5 25.4 mm | 1 in | 1 po x2  
x2



x1

x6

x2

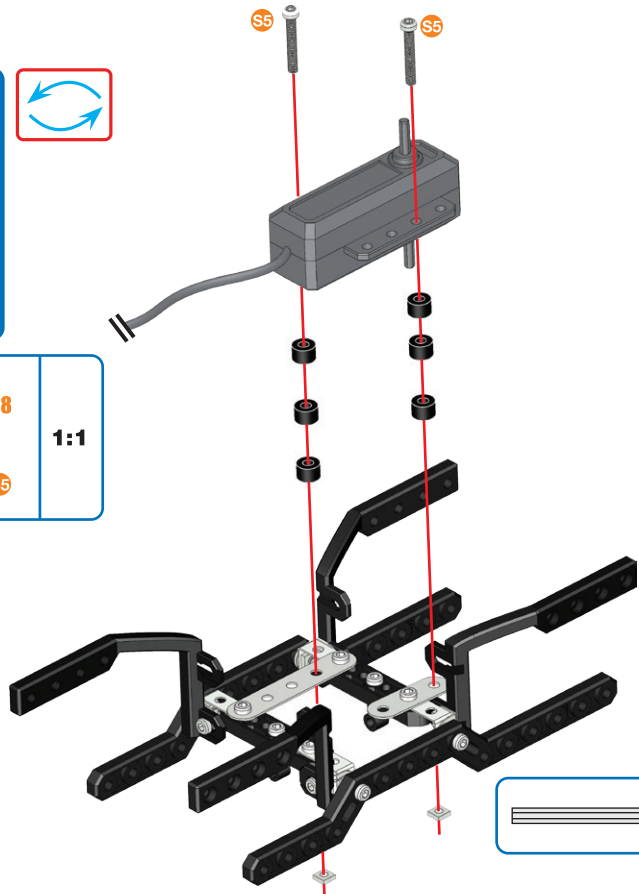
x2



1:1

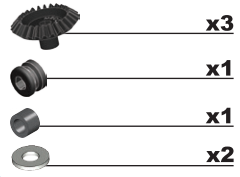
A238

S5



9

165 mm | 6 1/2 in | 6 1/2 po x1  
x3

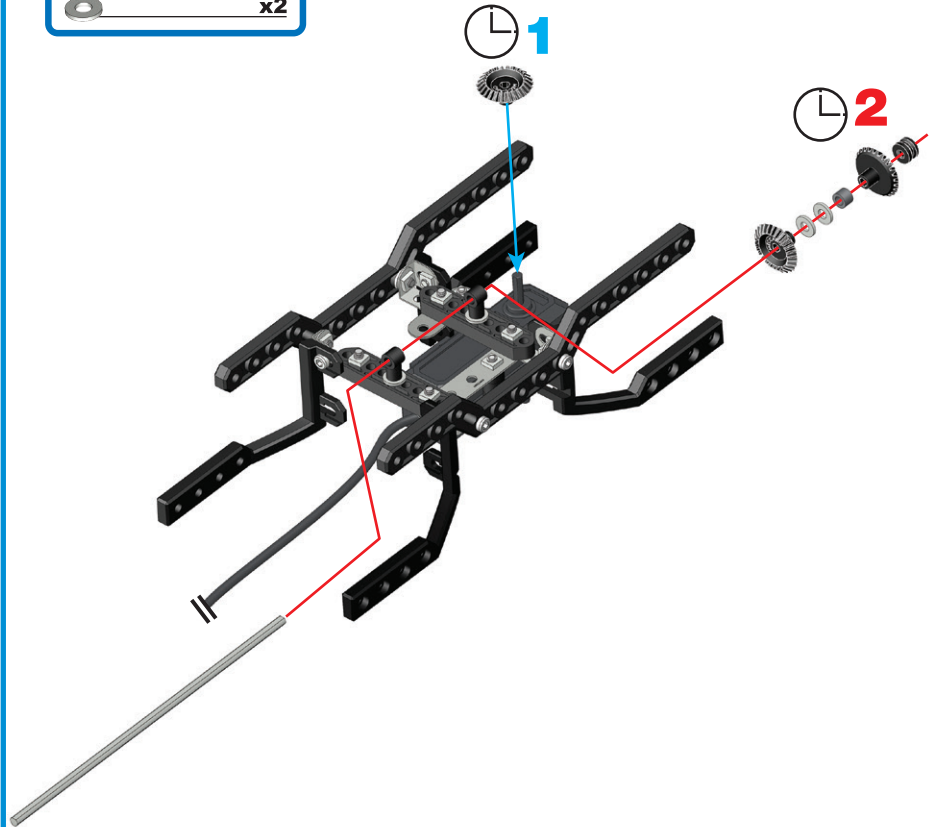


x1

x1

x1

x2



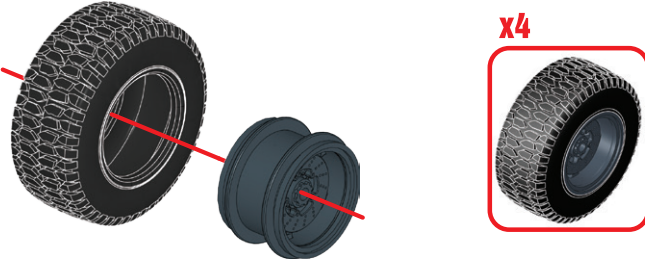
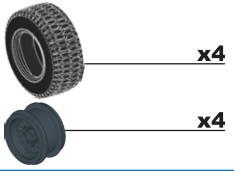
1:1

A338



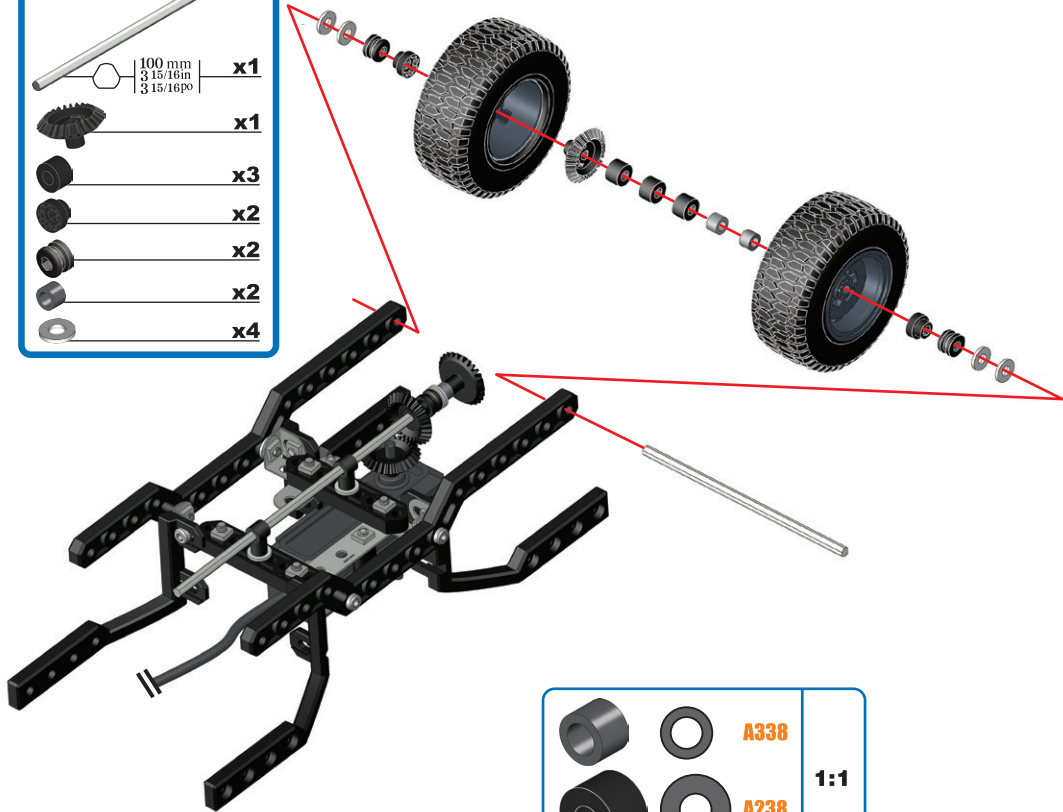
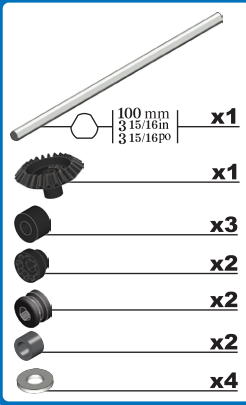
1:1

10

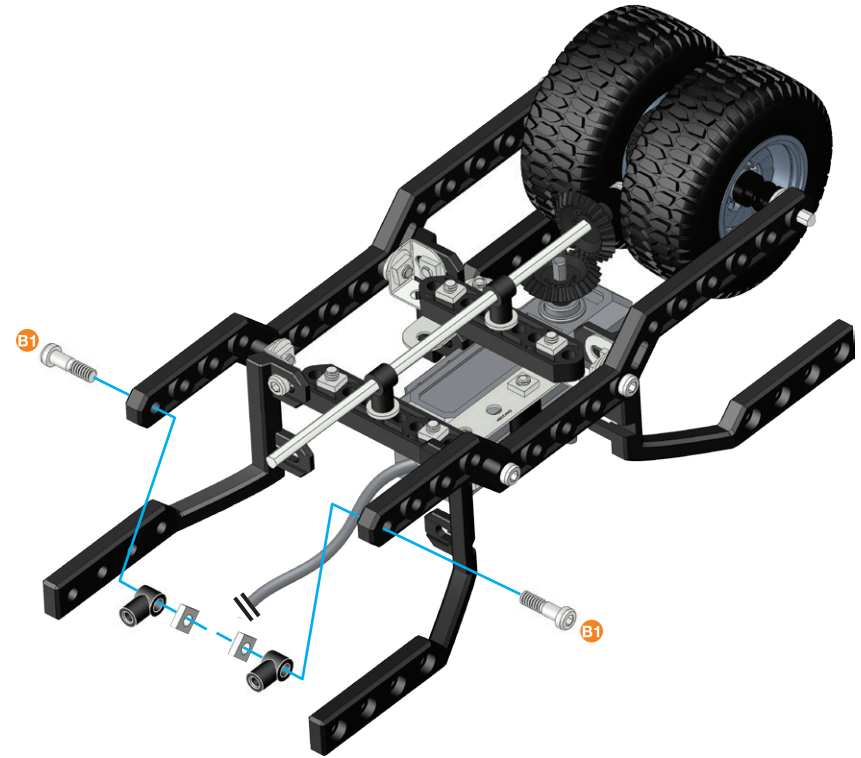
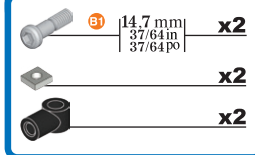


11

9+10+










12

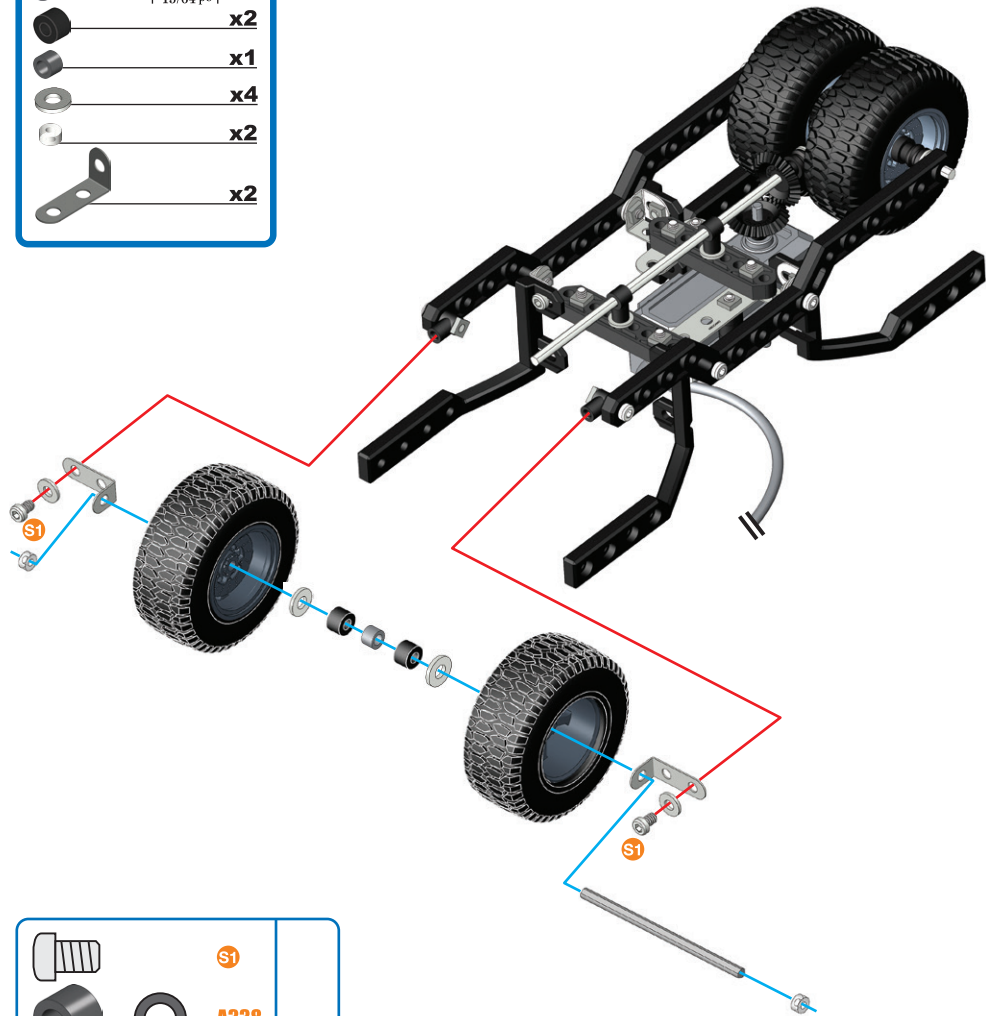


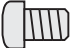



# 13

⑩+⑫+





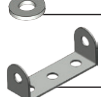
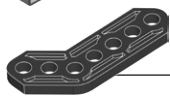
-  75 mm | x1  
2 15/16 in | 2 15/16 in
-  S1 5.8 mm | x2  
15/64 in | 15/64 in
-  x2
-  x1
-  x4
-  x2
-  x2




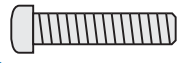
-  S1
-  A338
-  A238
- 1:1

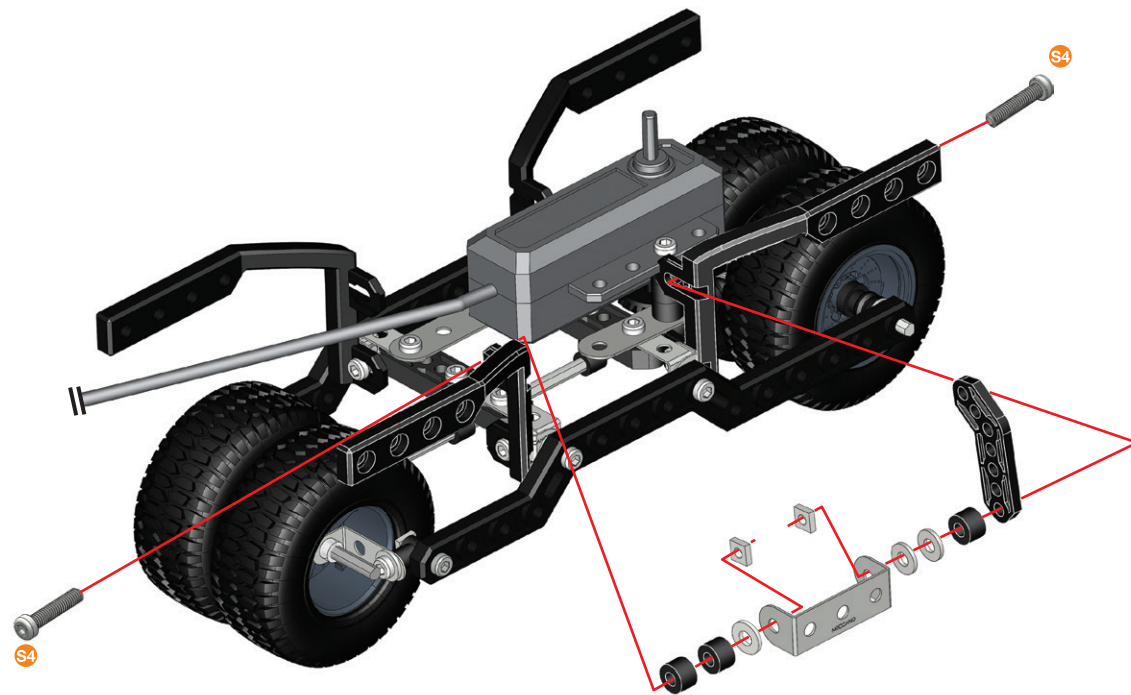
-  1:1

# 14






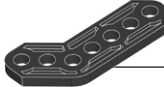
-  S4 19 mm | x2  
3/4 in | 3/4 in
-  x2
-  x3
-  x3
-  x1
-  x1






-  A238
-  S4
- 1:1

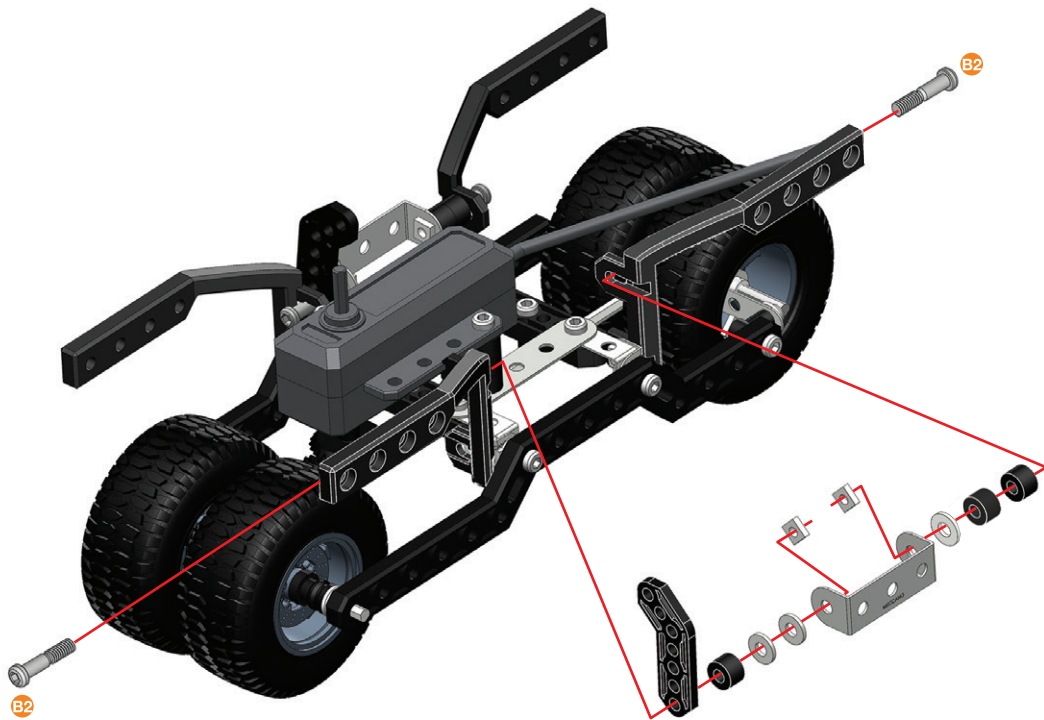


# 15




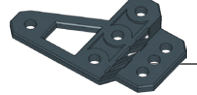
-  19 mm  $\frac{3}{4}$  in  $\frac{3}{4}$  in | **x2**
-  | **x2**
-  | **x3**
-  | **x3**
-  | **x1**
-  | **x1**



-   **A238**
-  | **1:1**

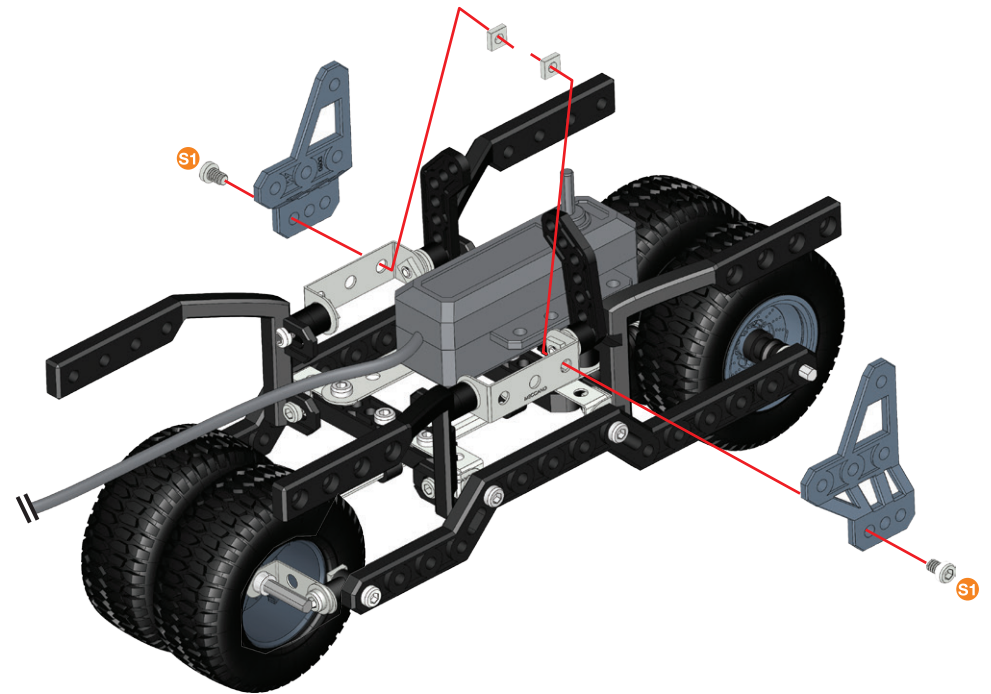


# 16








-  5.8 mm  $\frac{15}{64}$  in  $\frac{15}{64}$  in | **x2**
-  | **x2**
-  | **x1**
-  | **x1**







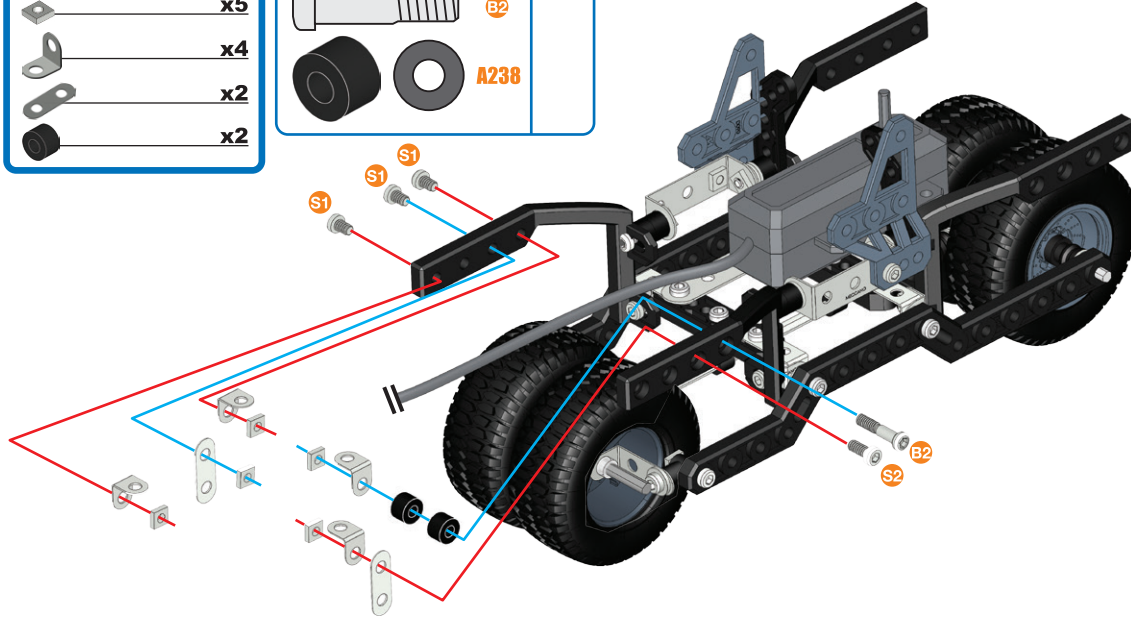
-  | **1:1**







# 17

-  5.8 mm | 15/64 in | 15/64 po | **x3**
-  9.5 mm | 3/8 in | 3/8 po | **x1**
-  19 mm | 3/4 in | 3/4 po | **x1**
-  **x5**
-  **x4**
-  **x2**
-  **x2**

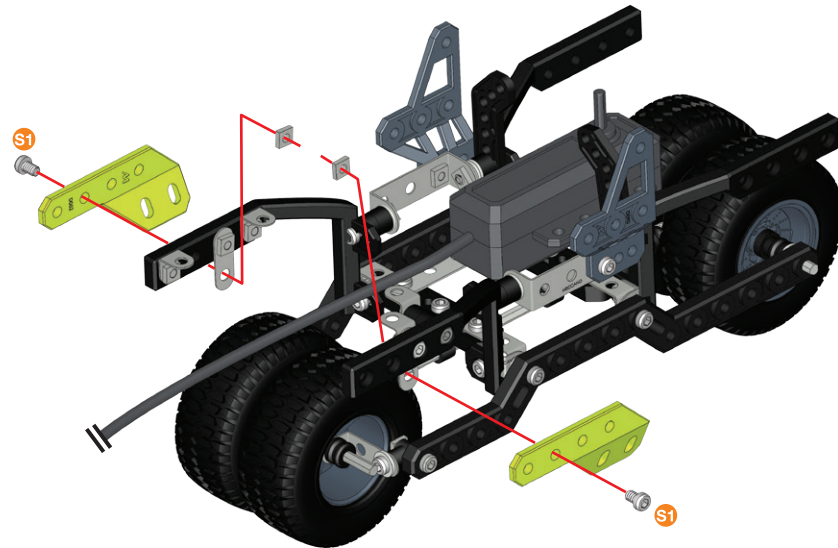
-  **S1**
-  **S2**
-  **B2**
- 1:1**
-  **A238**






# 18

-  5.8 mm | 15/64 in | 15/64 po | **x2**
-  **x2**
-  **x1**
-  **x1**

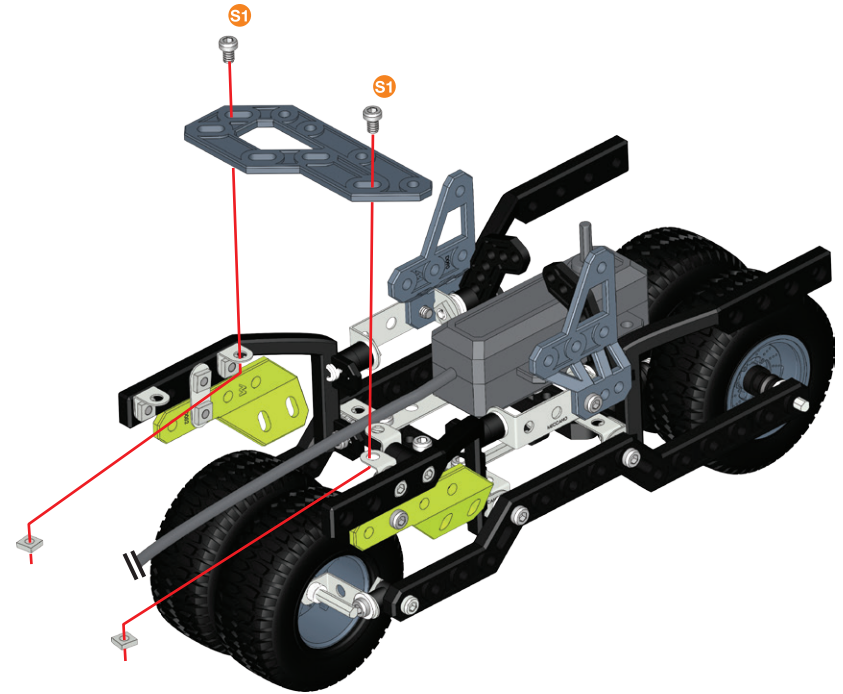
-  **S1**
- 1:1**



# 19







-  5.8 mm | 15/64 in | 15/64 po | **x2**
-  **x2**
-  **x1**





-  **S1**
- 1:1**

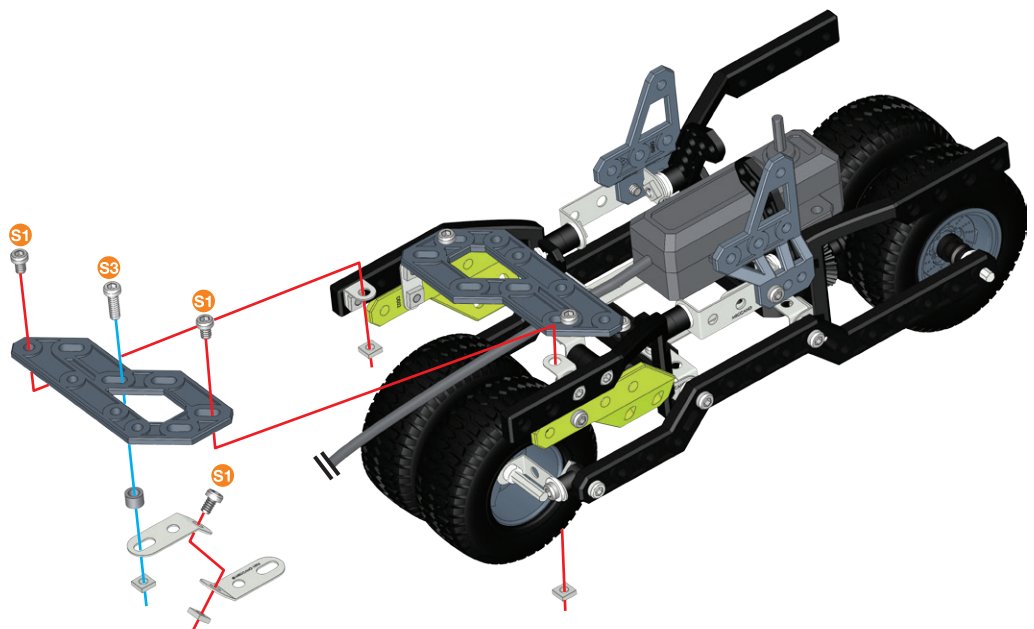









# 20

-  5.8 mm | 15/64 in | 15/64 po | **x3**
-  12 mm | 1/2 in | 1/2 po | **x1**
-  **x4**
-  **x1**
-  **x2**
-  **x1**

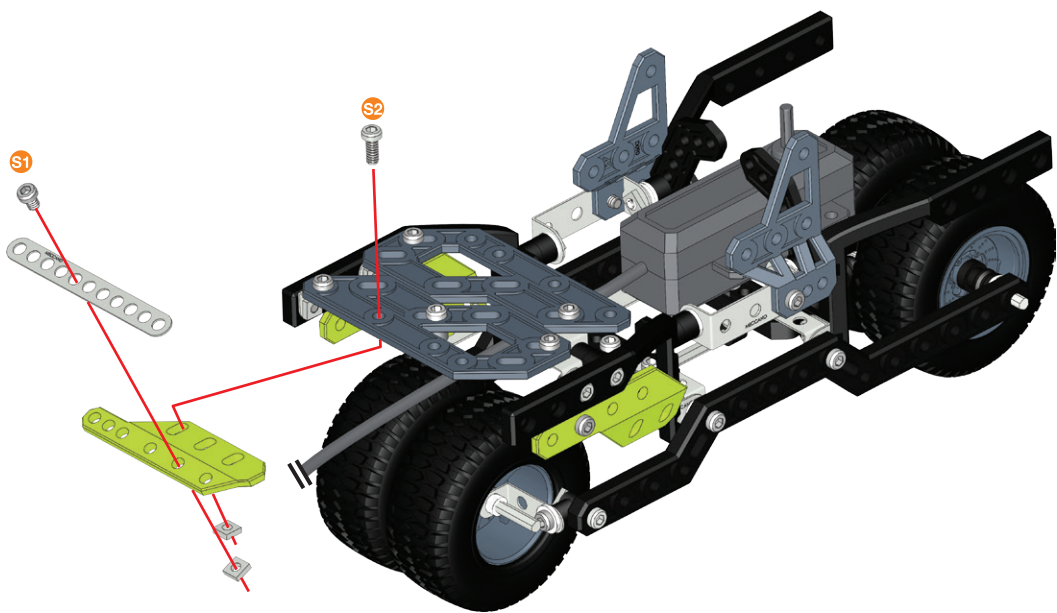
-  **S1**
-  **S3**
- 1:1**
-  **A338**
- 








# 21

-  5.8 mm | 15/64 in | 15/64 po | **x1**
-  9.5 mm | 3/8 in | 3/8 po | **x1**
-  **x2**
-  **x1**
-  **x1**



-  **S1**
-  **S2**
- 1:1**

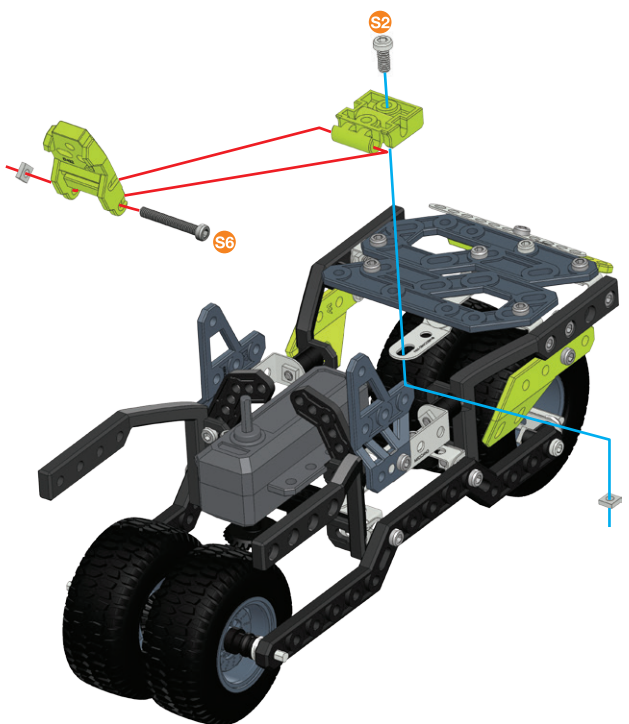


# 22

-  28 mm | 1 1/8 in | 1 1/8 po | **x1**
-  9.5 mm | 3/8 in | 3/8 po | **x1**
-  **x2**
-  **x1**
-  **x1**





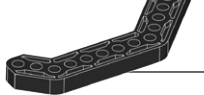




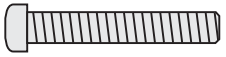
-  **S6**
-  **S2**
- 1:1**

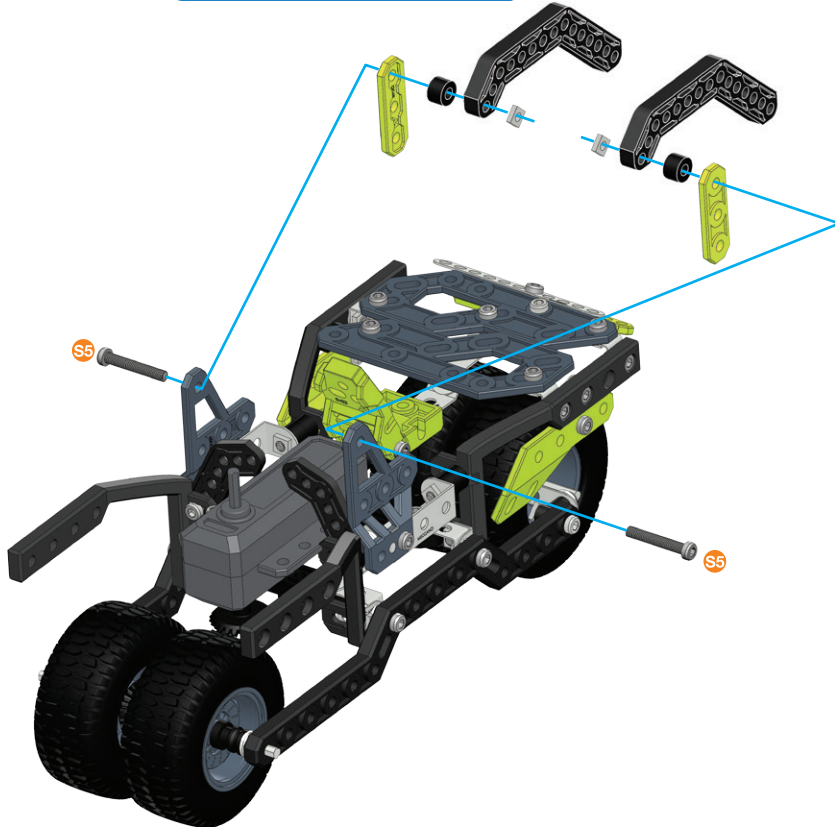







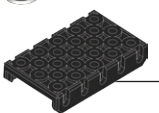
# 23


-  25.4 mm | 1 in | 1p0 | **x2**
-  **x2**
-  **x2**
-  **x2**
-  **x2**

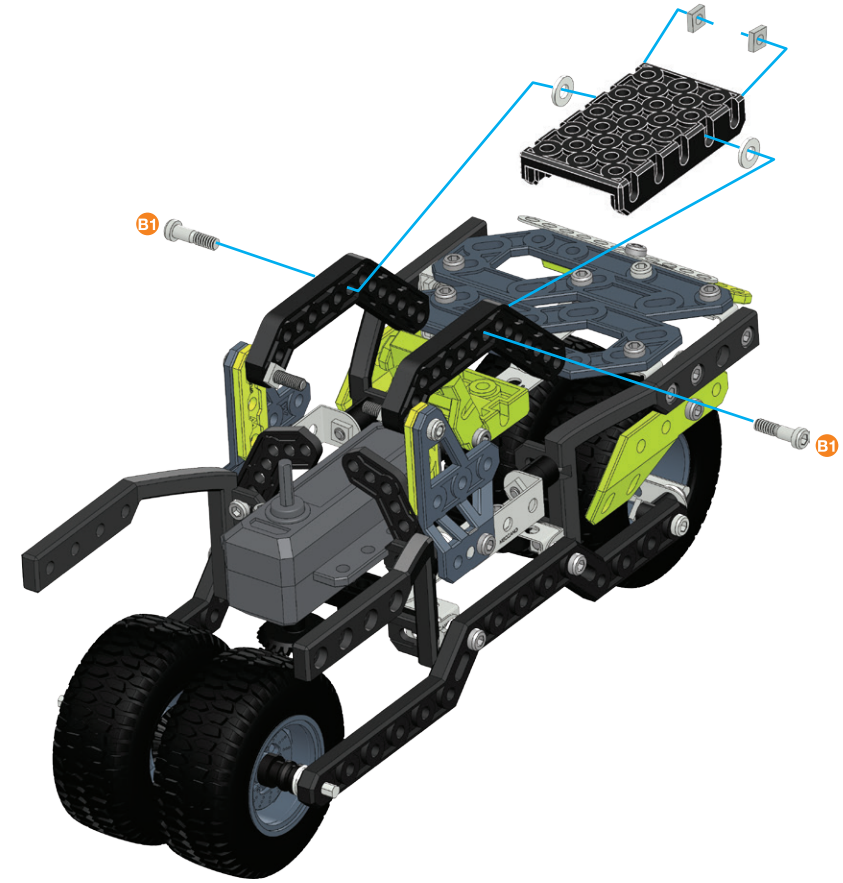
-   **A238**
-  **S5**
- 1:1**






# 24

-  14.7 mm | 37/64 in | 37/64p0 | **x2**
-  **x2**
-  **x2**
-  **x1**

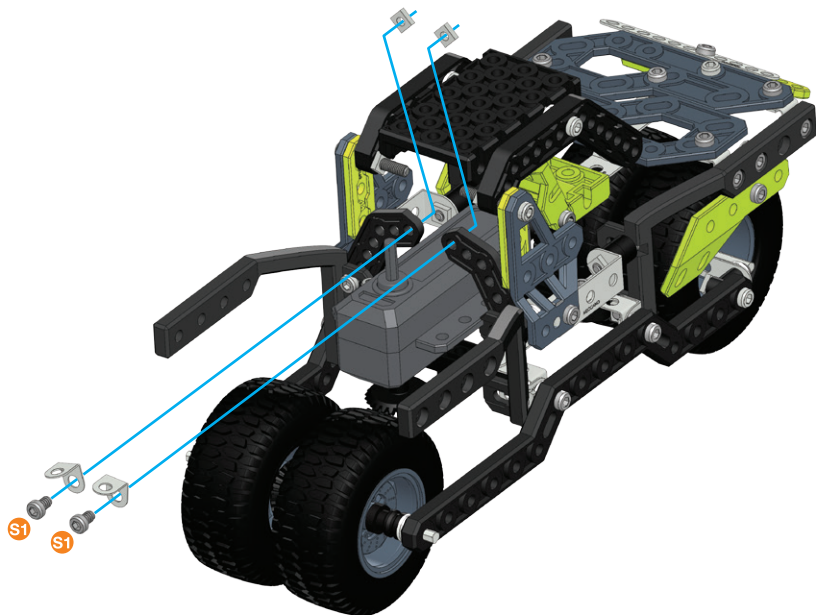
-  **B1**
- 1:1**






# 25

-  5.8 mm | 15/64 in | 15/64 po | **x2**
-  **x2**
-  **x2**

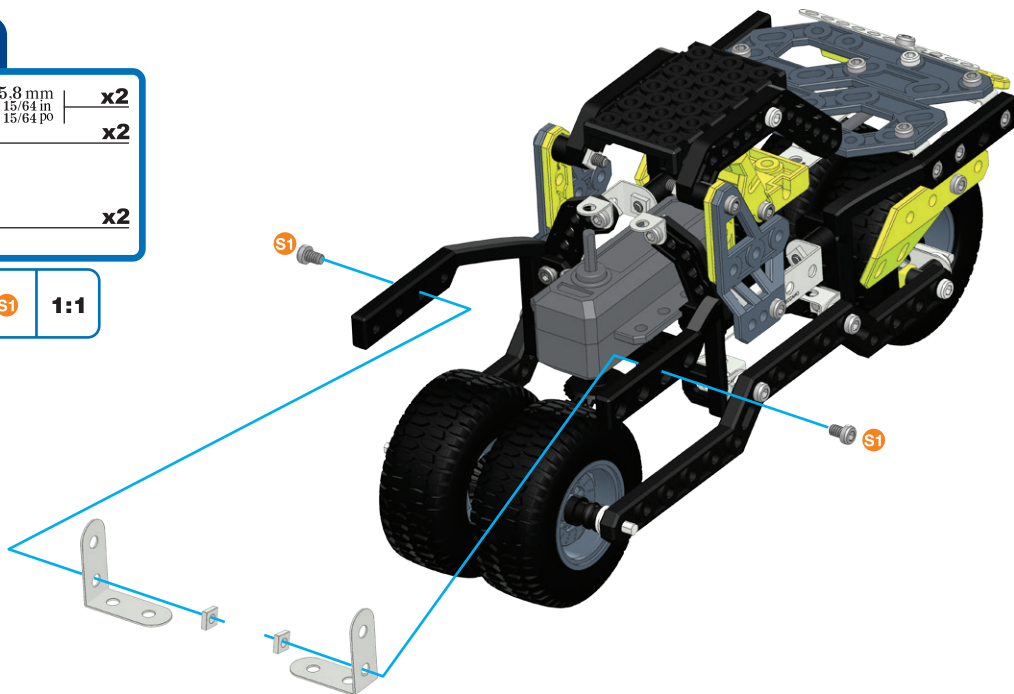
-  **S1** | **1:1**





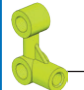
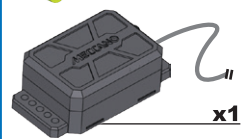
# 26


-  5.8 mm | 15/64 in | 15/64 po | **x2**
-  **x2**
-  **x2**

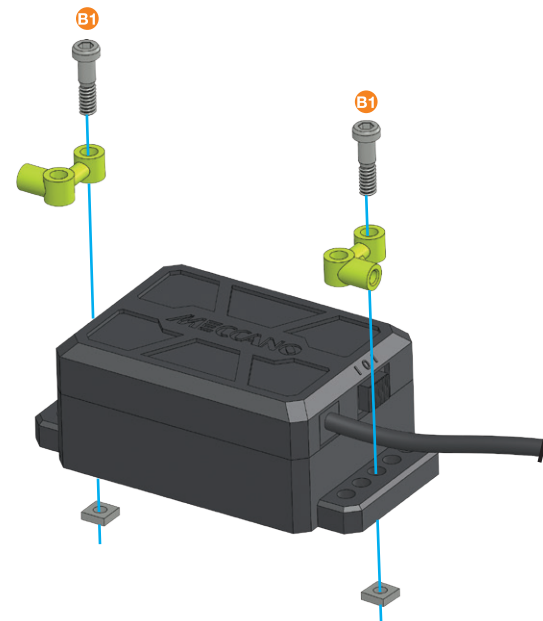
-  **S1** | **1:1**



# 27

-  14.7 mm | 37/64 in | 37/64 po | **x2**
-  **x2**
-  **x2**
-  **x1**

-  **B1** | **1:1**

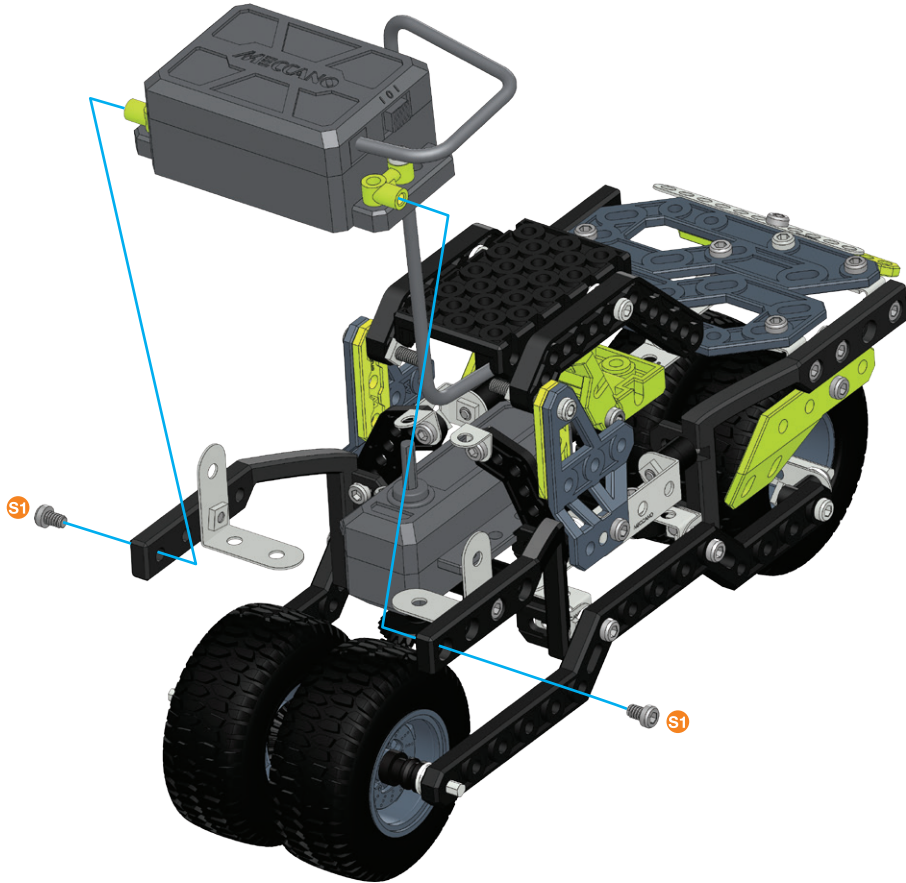


28

(26)+(27)+

S1 | 5.8 mm | x2  
15/64 in |  
15/64 po

S1 | 1:1



29

S2 | 9.5 mm | x2  
3/8 in |  
3/8 po

x2

x2

S2 | 1:1

