
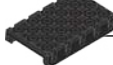

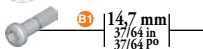
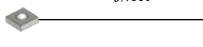
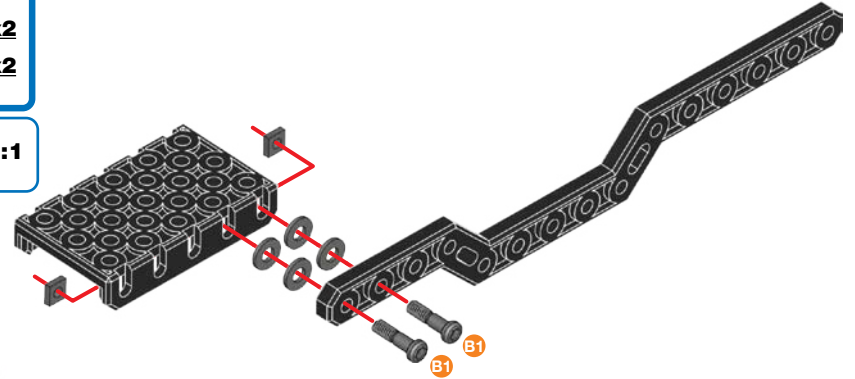


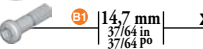
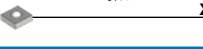


- 1**
-  **x1**
 -  **x1**
 -  **x4**
 -  **x2** B1 | 14,7 mm | 37/64 in | 37/64 Po
 -  **x2**

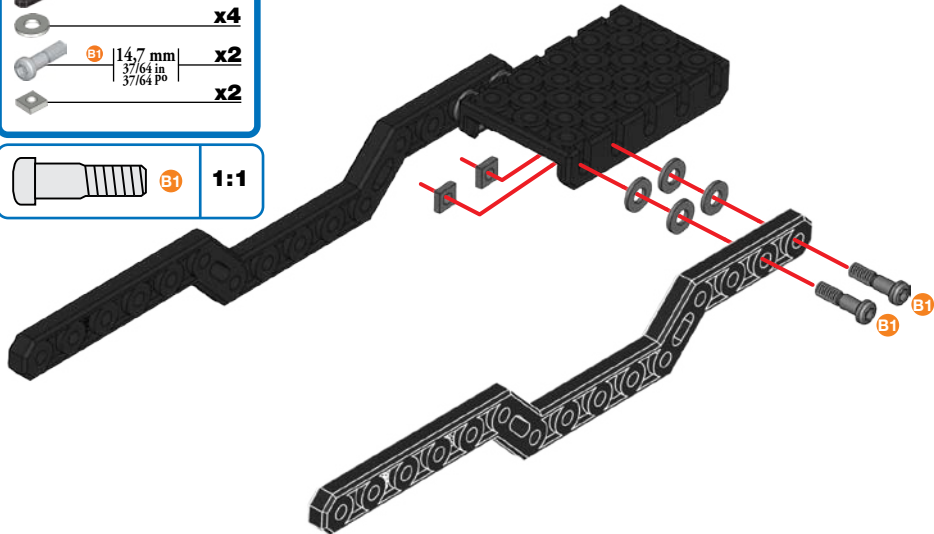
-  **B1** **1:1**






- 2**
-  **x1**
 -  **x4**
 -  **x2** B1 | 14,7 mm | 37/64 in | 37/64 Po
 -  **x2**



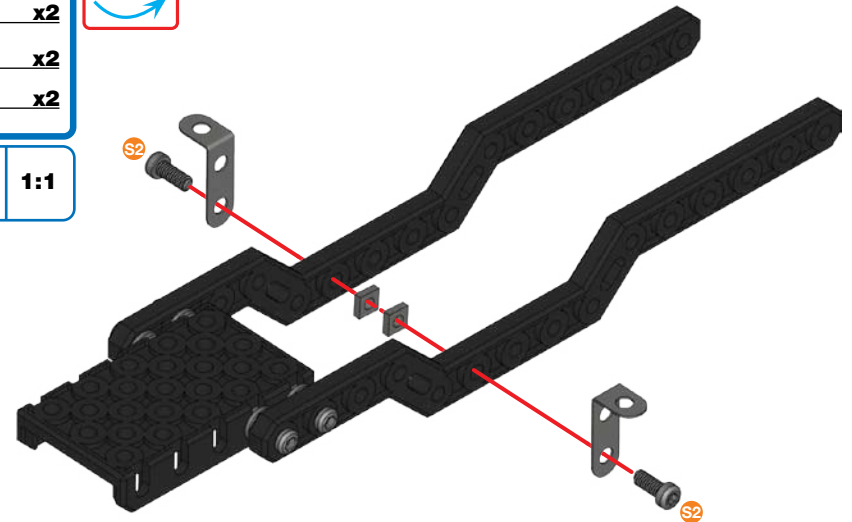
-  **B1** **1:1**



- 3**
-  **x2**
 -  **x2** S2 | 9,5 mm | 3/8 in | 3/8 Po
 -  **x2**

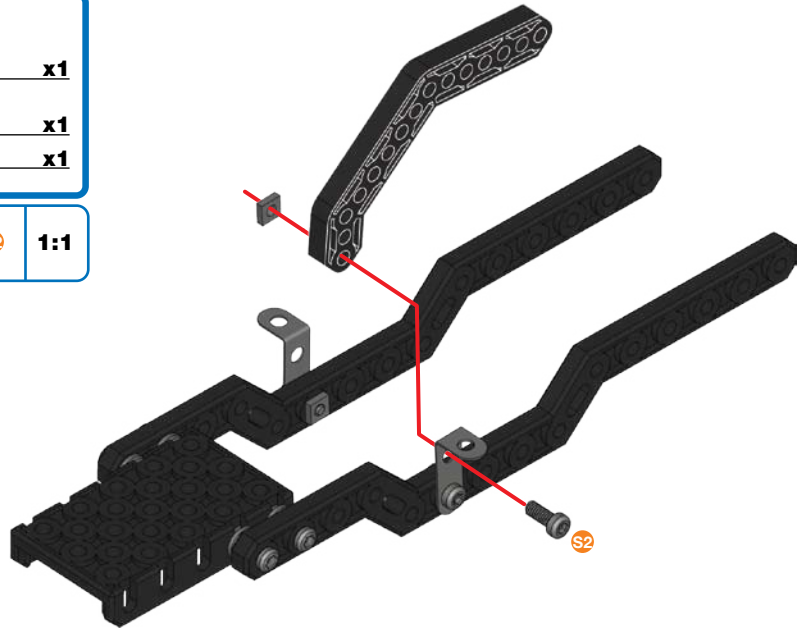


-  **S2** **1:1**



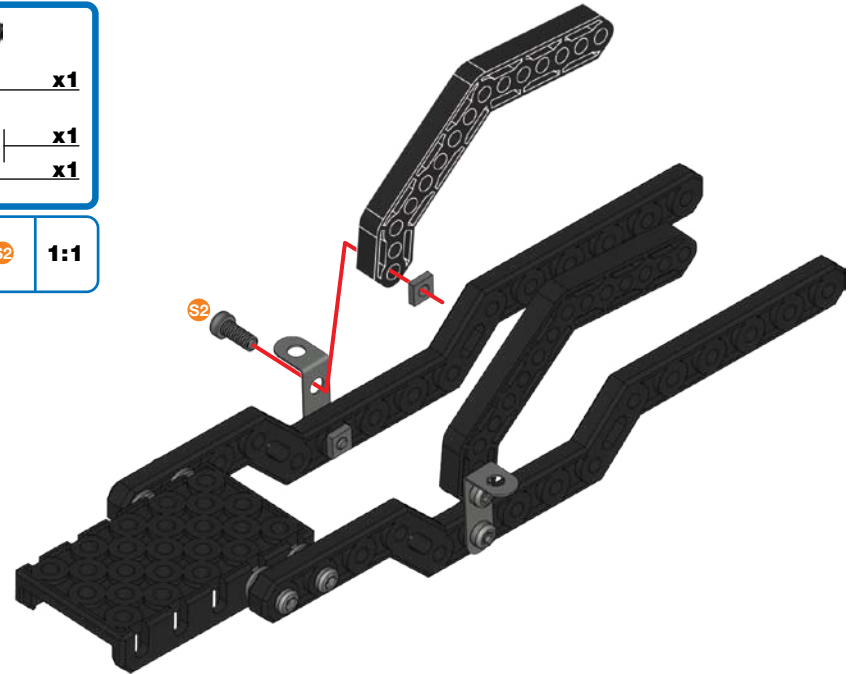
4

	x1
	9,5 mm x1
	3/8 in x1
	3/8 Po x1
	S2 1:1



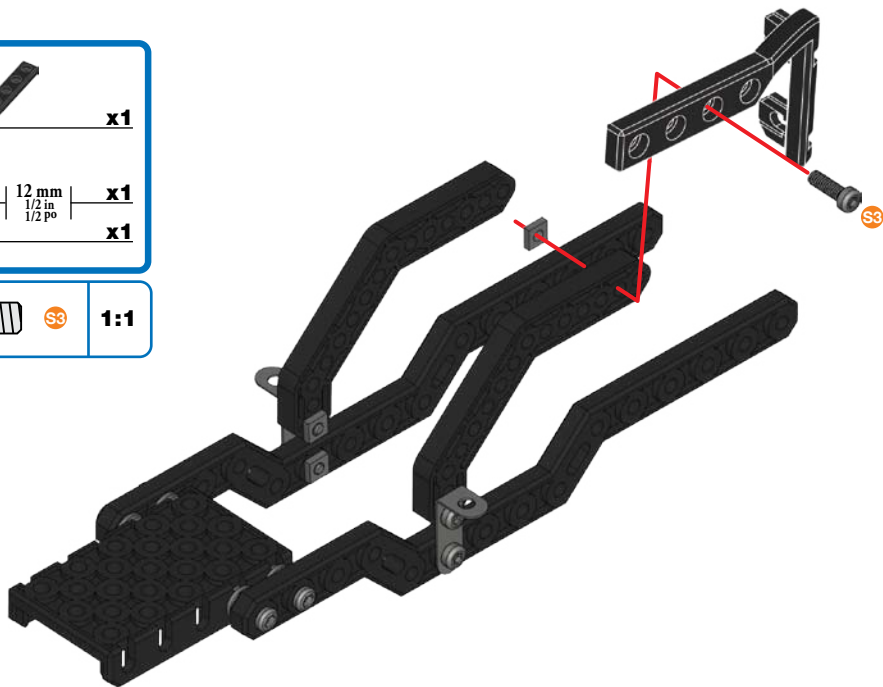
5

	x1
	9,5 mm x1
	3/8 in x1
	3/8 Po x1
	S2 1:1



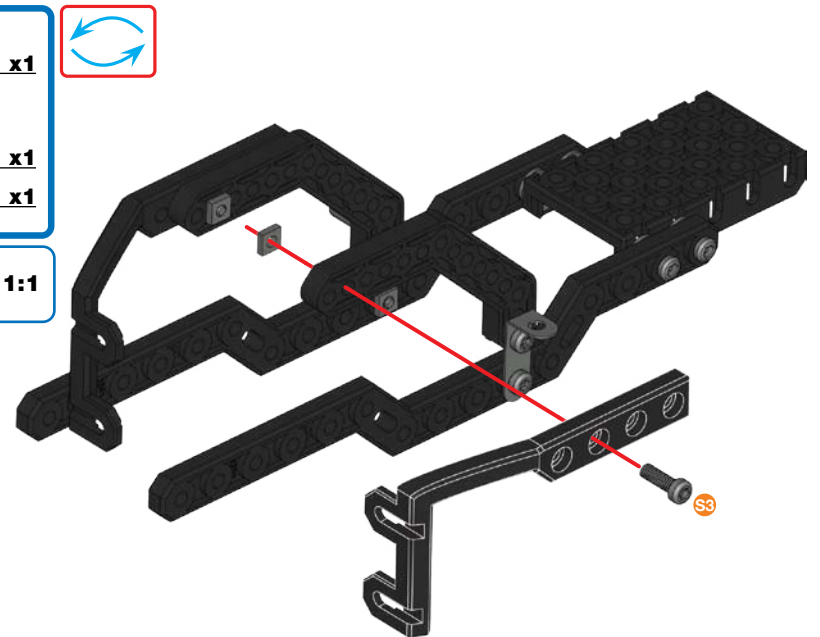
6






	x1
	12 mm x1
	1/2 in x1
	1/2 Po x1
	S3 1:1

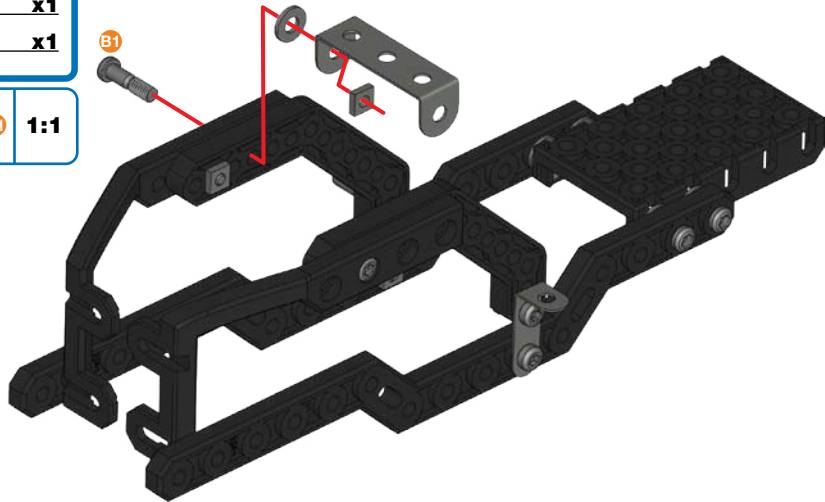






7

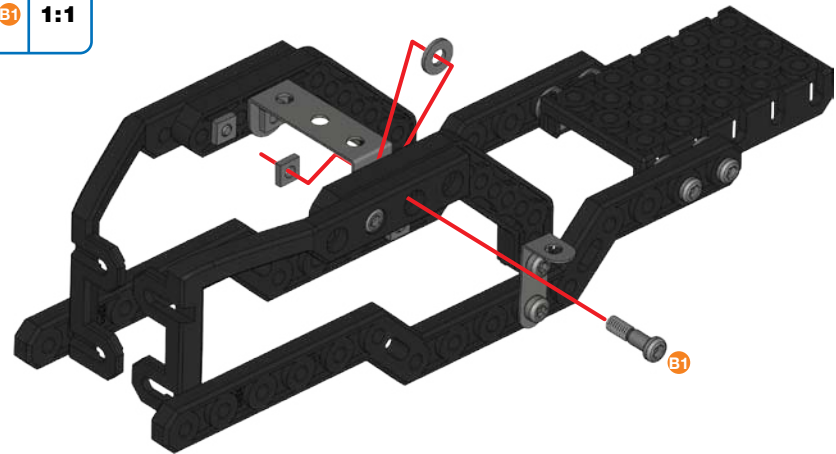
	x1
	12 mm x1
	1/2 in x1
	1/2 Po x1
	S3 1:1








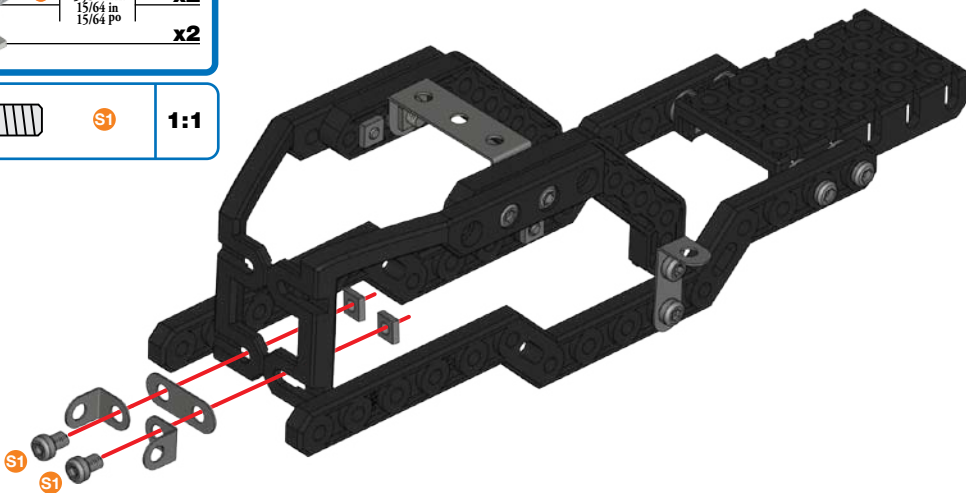
- 8**
-  **x1**
 -  **x1**
 -  **x1**
 -  **x1**
 -  **1:1**










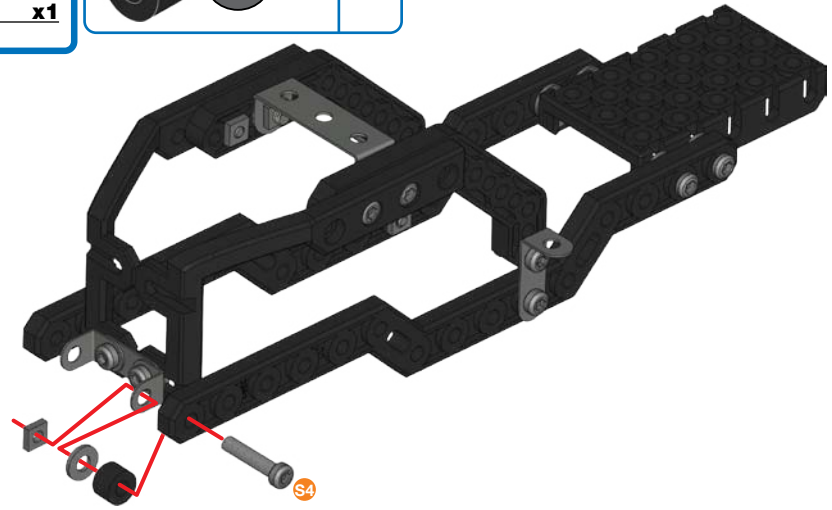
- 9**
-  **x1**
 -  **x1**
 -  **x1**
 -  **1:1**



- 10**
-  **x1**
 -  **x2**
 -  **x2**
 -  **x2**
 -  **1:1**



- 11**
-  **x1**
 -  **x1**
 -  **x1**
 -  **x1**
 -  **1:1**
 -  **A238**
 -  **A238**



12

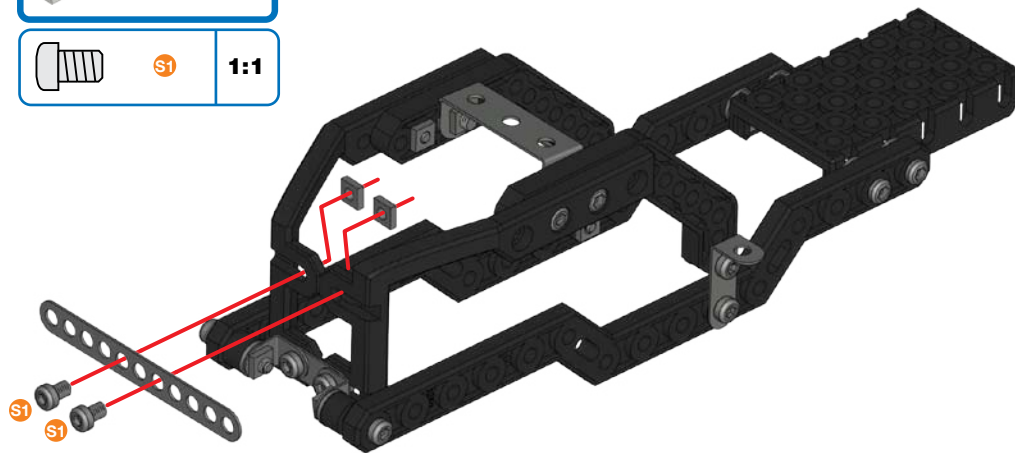
	x1		1:1
	x1		
	x1		
	x1		



13

	x1
	x2
	x2

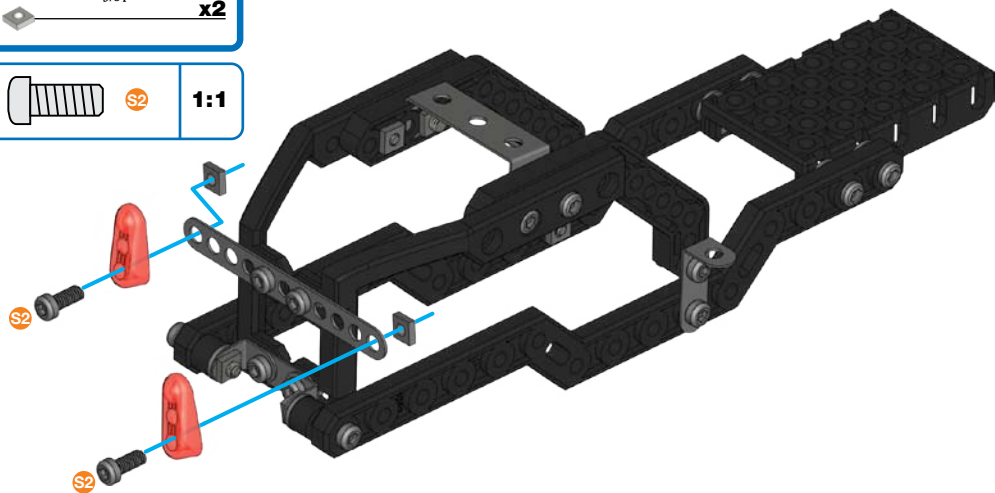
	1:1
--	-----



14

	x2
	x2
	x2

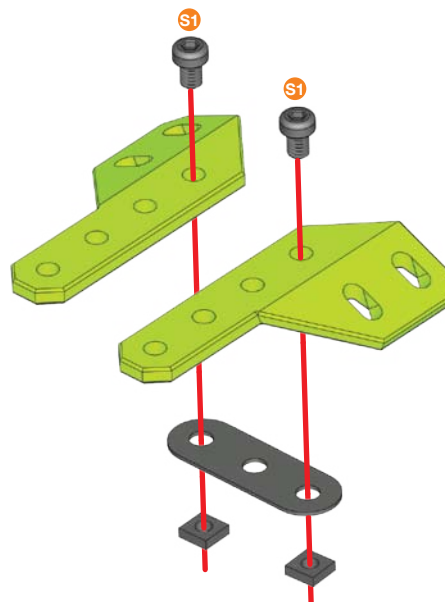
	1:1
--	-----

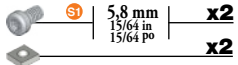
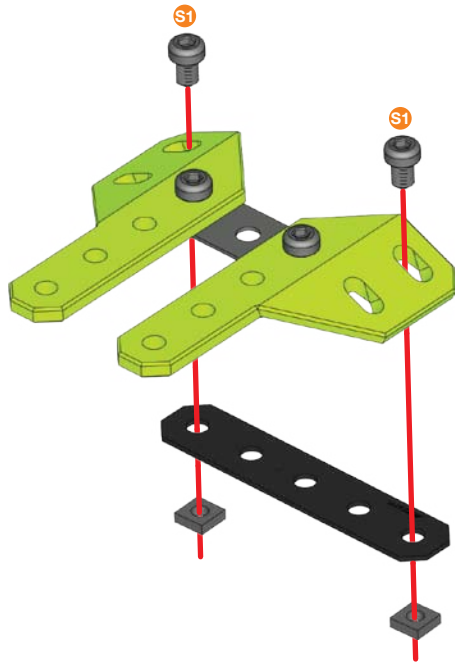
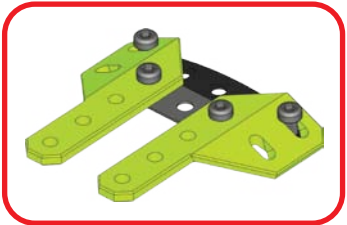
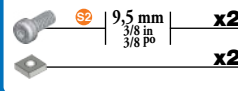
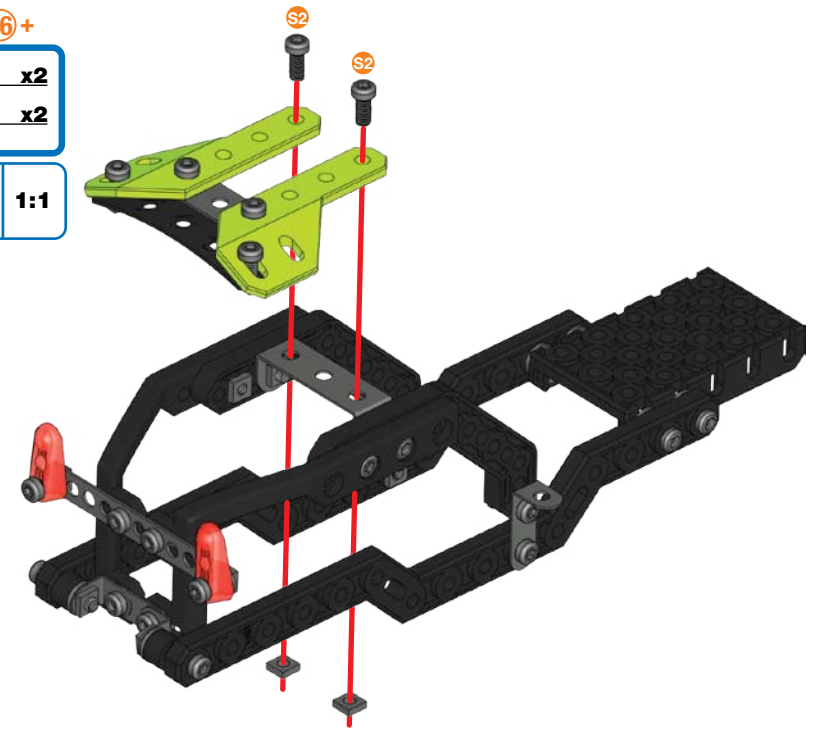
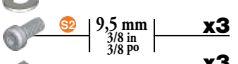
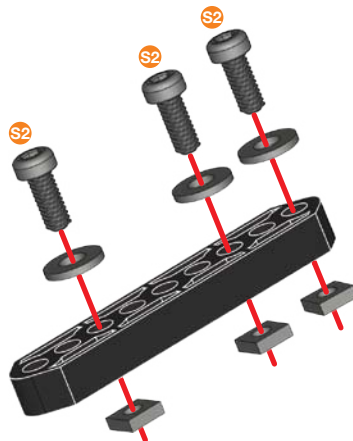
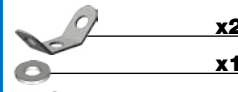
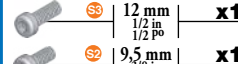
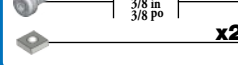
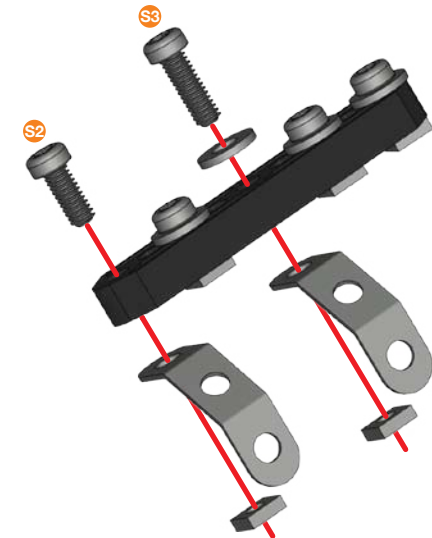


15

	x1
	x1
	x1
	x2
	x2

	1:1
--	-----

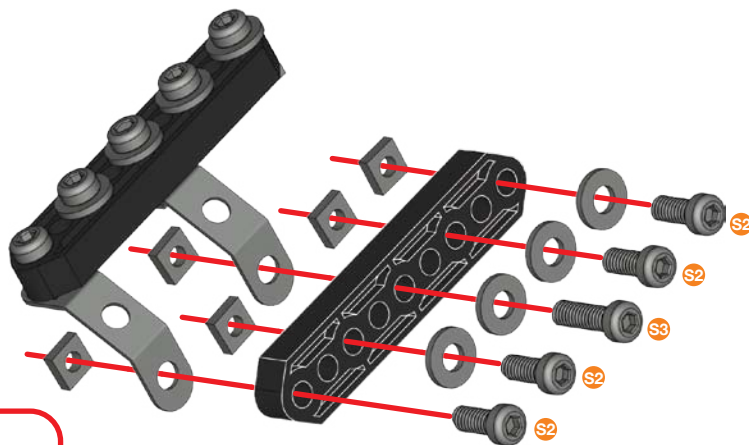
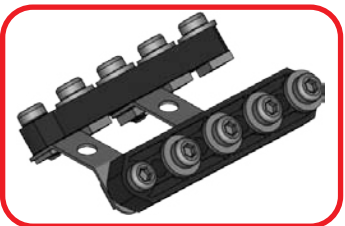


16**x1****x2****x2****1:1****17****14 + 16 +****x2****x2****1:1****18****x1****x3****x3****1:1****19****x2****x1****x1****x1****x2****1:1****1:1**

20

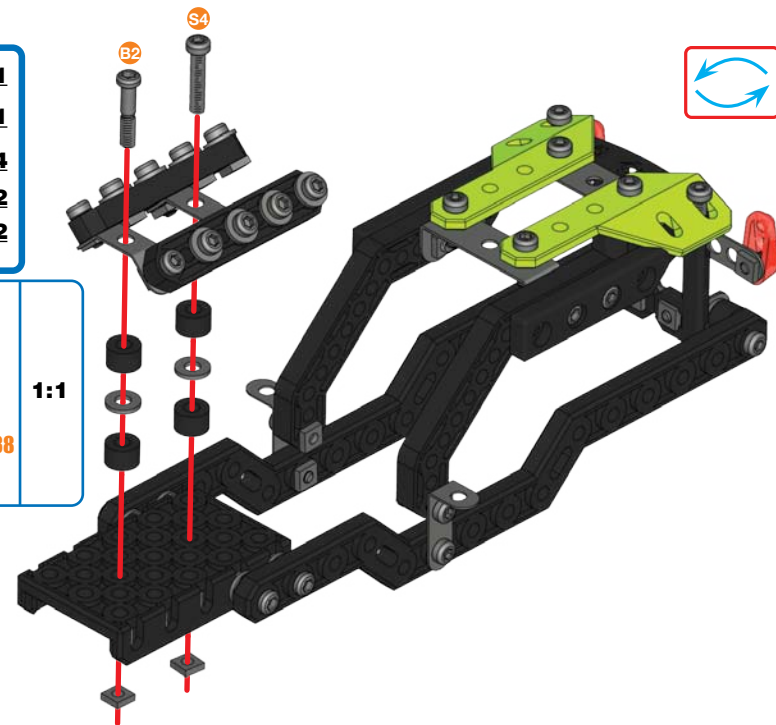
	x1
	x4
	x1
	x4
	x5

	S3	1:1
	S2	

**21****(17) + (20) +**

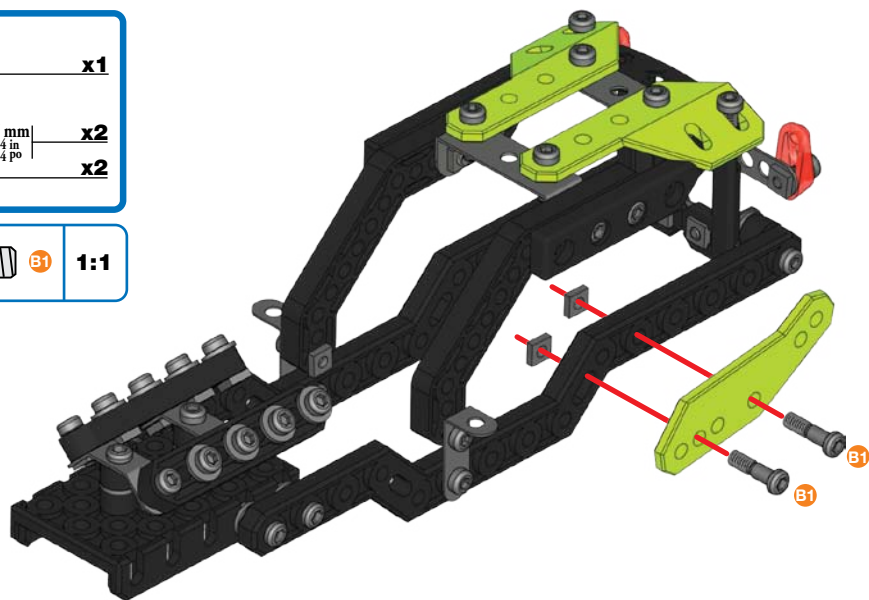
	B2	19 mm	x1
	S4	19 mm	x1
			x4
			x2
			x2

	B2	1:1
	S4	
	A238	

**22**

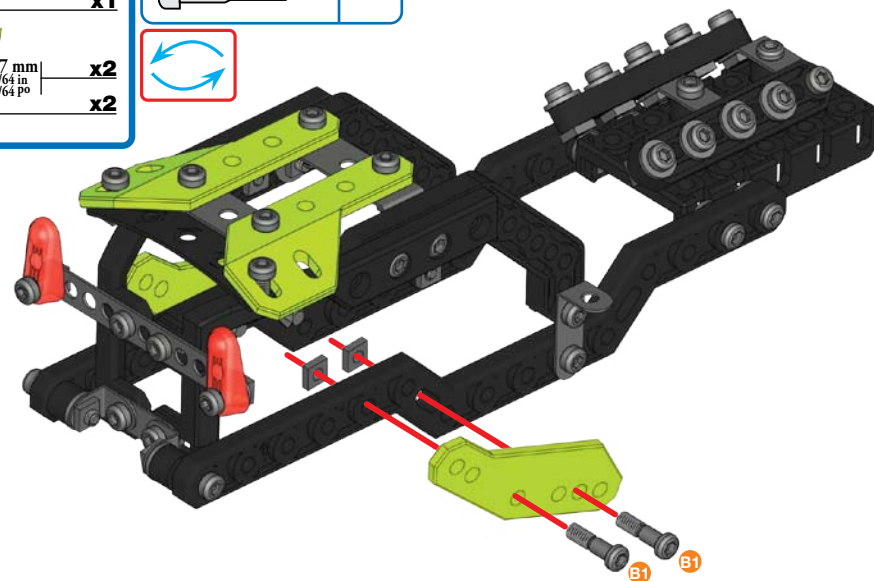
	x1		
	B1	14,7 mm	x2
			x2

	B1	1:1
--	-----------	------------

**23**

	x1		
	B1	14,7 mm	x2
			x2

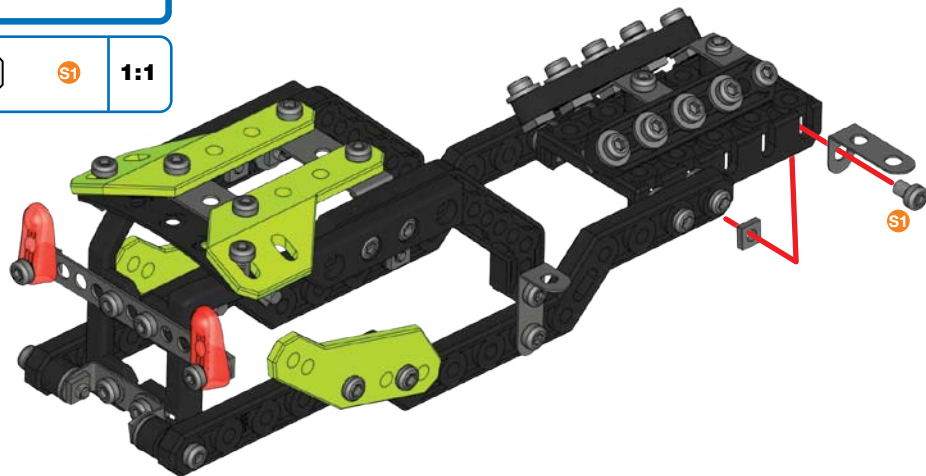
	B1	1:1
--	-----------	------------



24

- x1
- x1
- x1

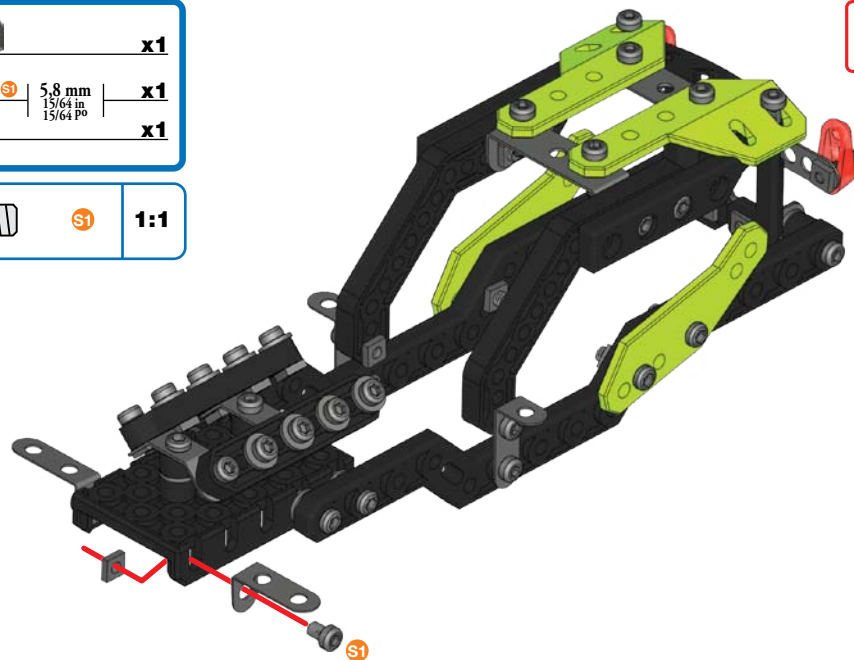
- 1:1



25

- x1
- x1
- x1

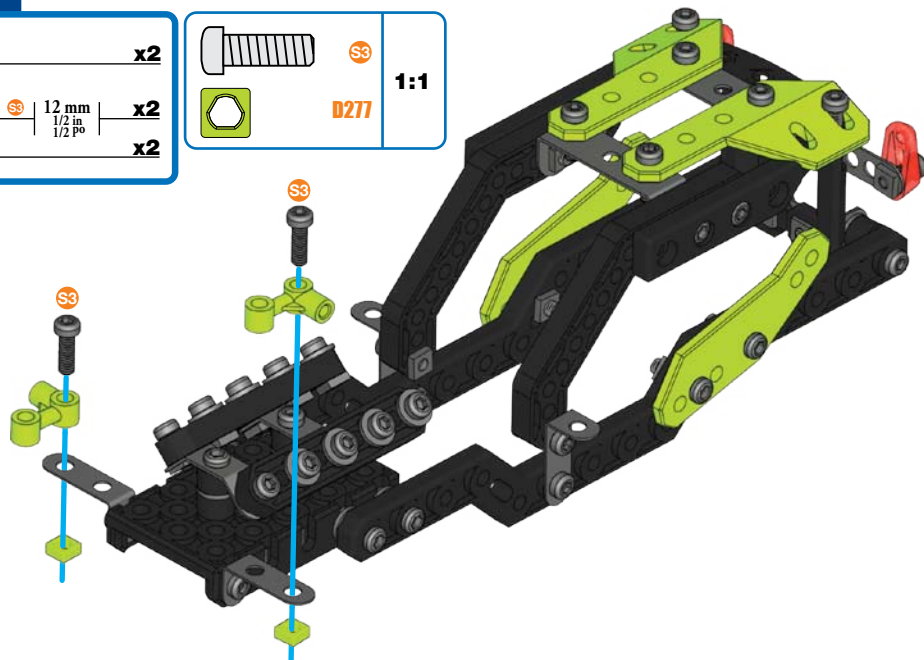
- 1:1



26

- x2
- x2
- x2

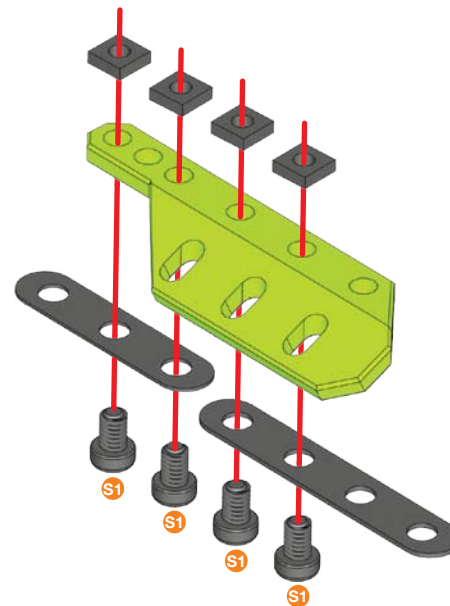
- 1:1
- D277



27

- x1
- x1
- x1
- x4
- x4

- 1:1

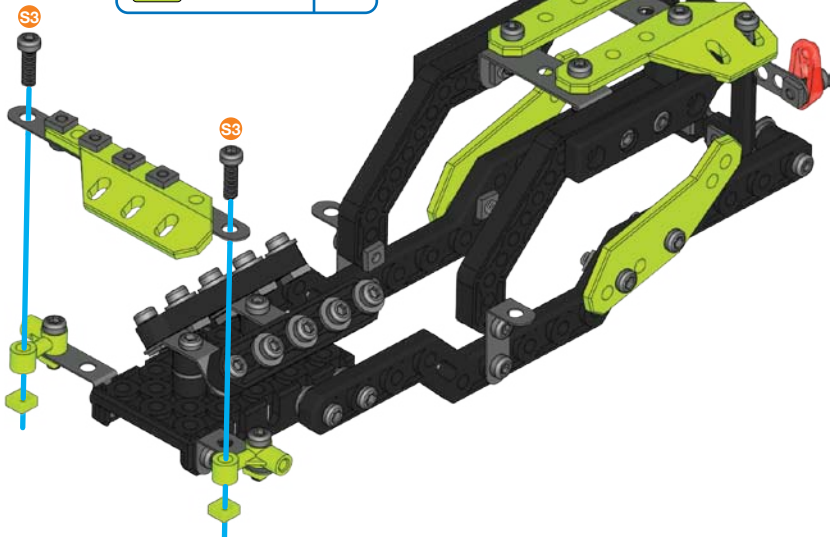


28

26 + 27 +

12 mm | 1/2 in | 1/2 po x2

x2

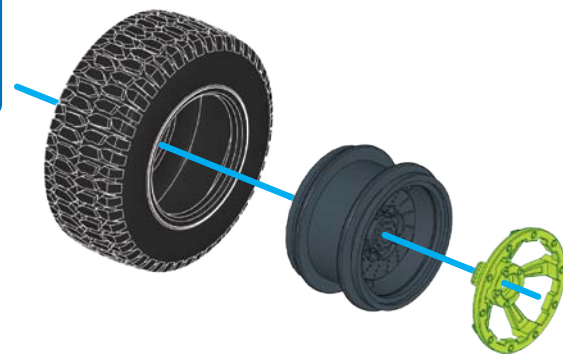


29

x4

x4

x4



x4

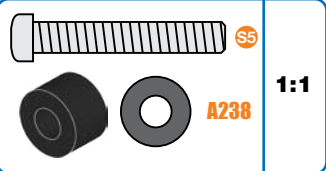


30

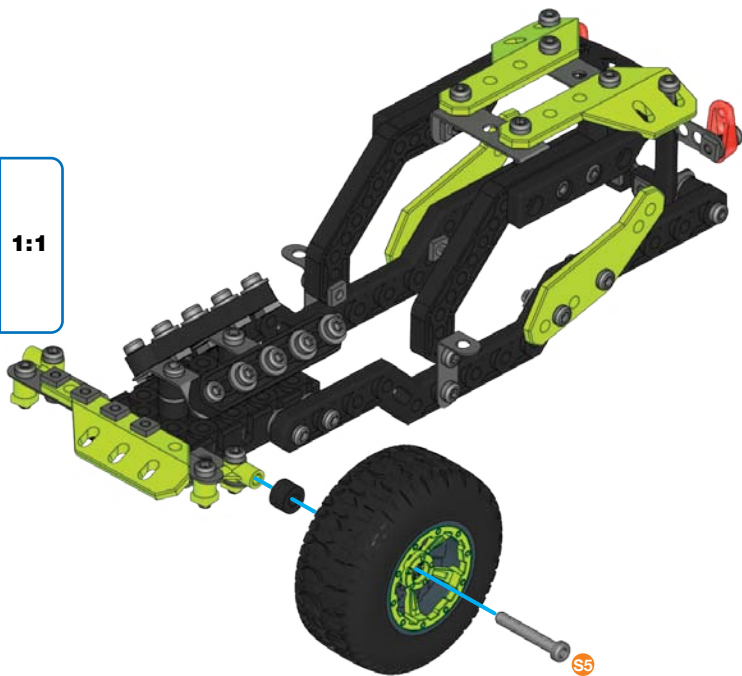
28 + 29 +

x1

25,4 mm | 1 in | 1 po x1



1:1

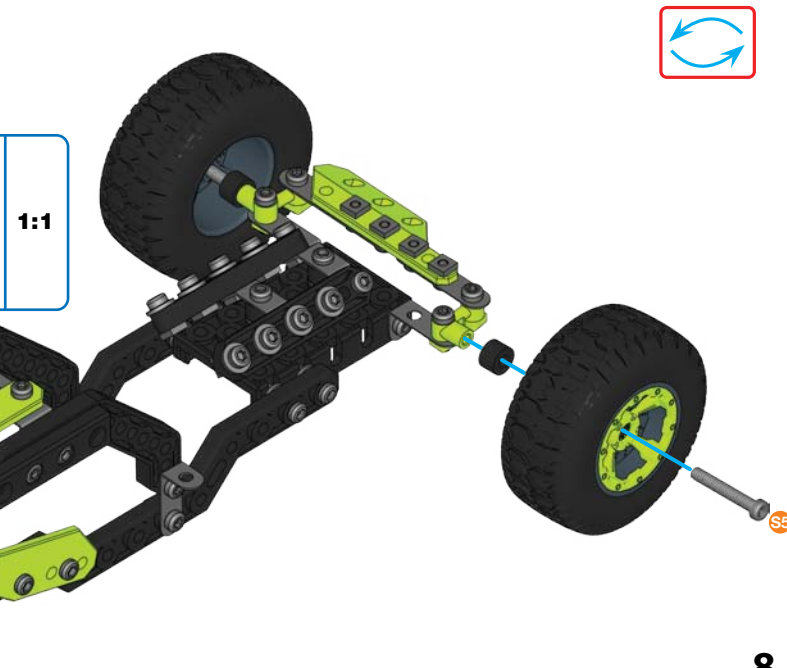
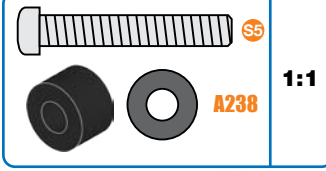


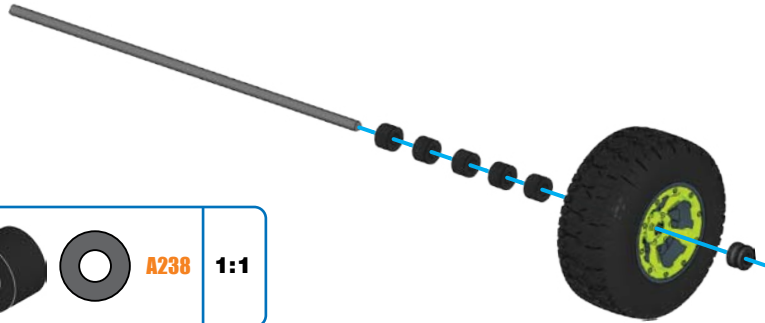
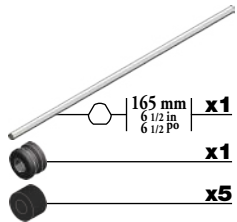
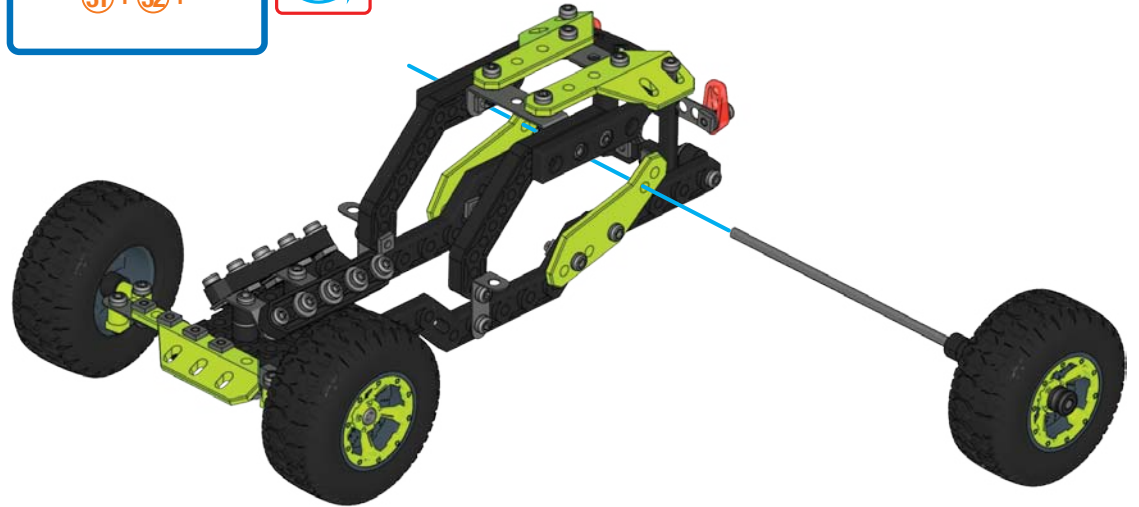
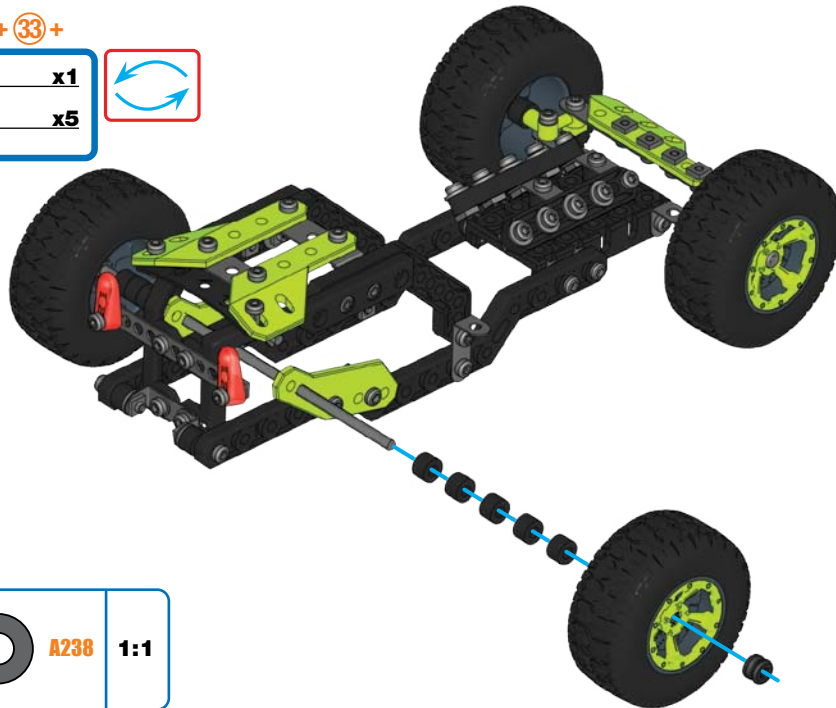
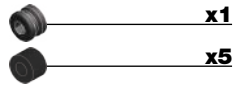
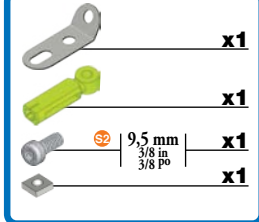
31

29 + 30 +

x1



25,4 mm | 1 in | 1 po x1



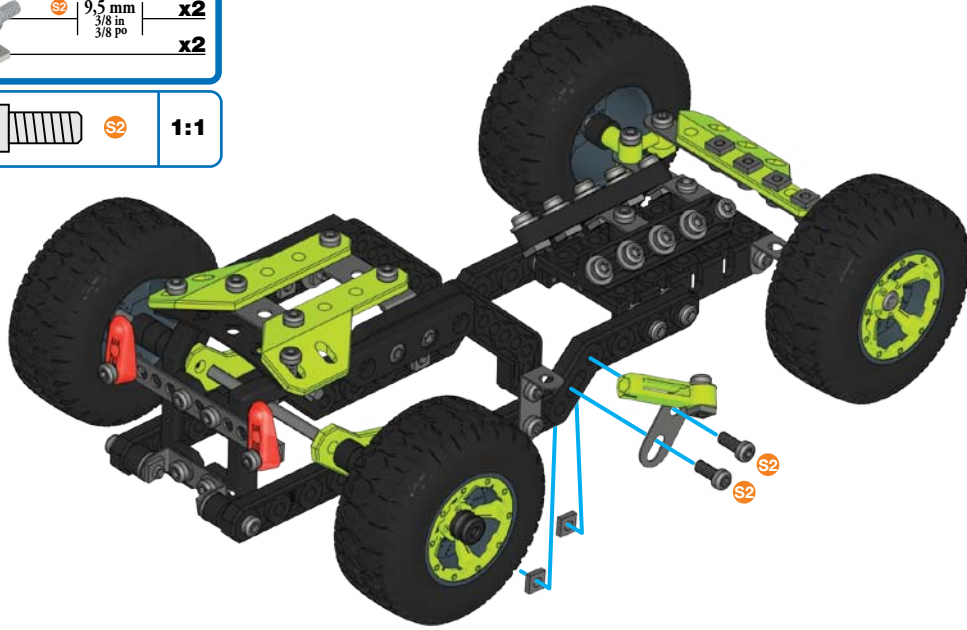
32**29+****33****31+ 32+****34****29+ 33+****35**

36





34 + 35 +

	9,5 mm 3/8 in 3/8 po	x2
		x2

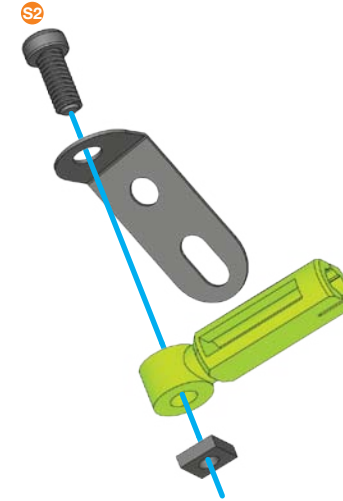
	S2	1:1
--	----	-----



37



		x1
		x1
	9,5 mm 3/8 in 3/8 po	x1
		x1

	S2	1:1
---	----	-----



38

36 + 37 +

	9,5 mm 3/8 in 3/8 po	x2
		x2



	S2	1:1
---	----	-----

