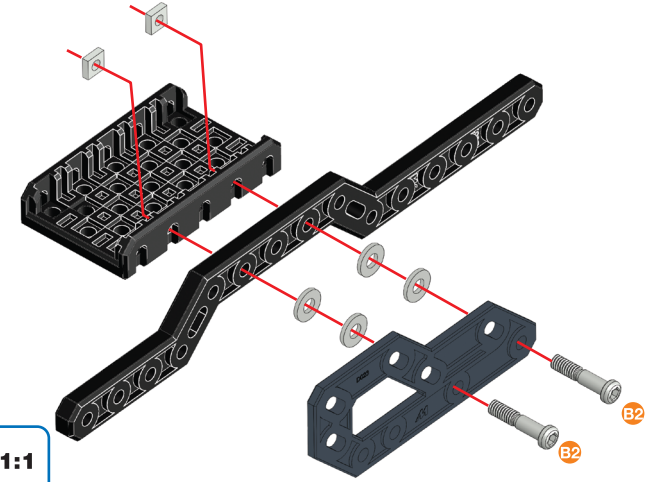
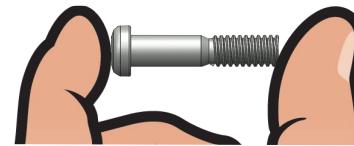




### 1

	19 mm 3/4 in 3/4 po	x2
		x2
		x4
		x1
		x1
		x1

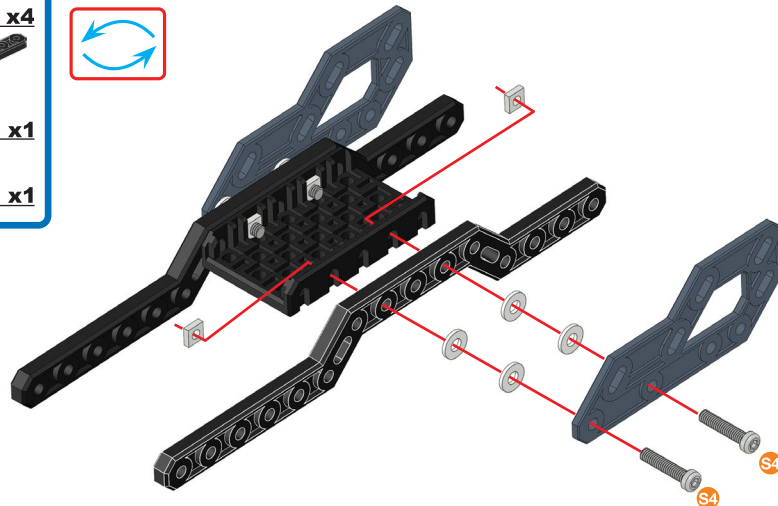
	1:1
--	-----



### 2

	19 mm 3/4 in 3/4 po	x2
		x2
		x4
		x1
		x1

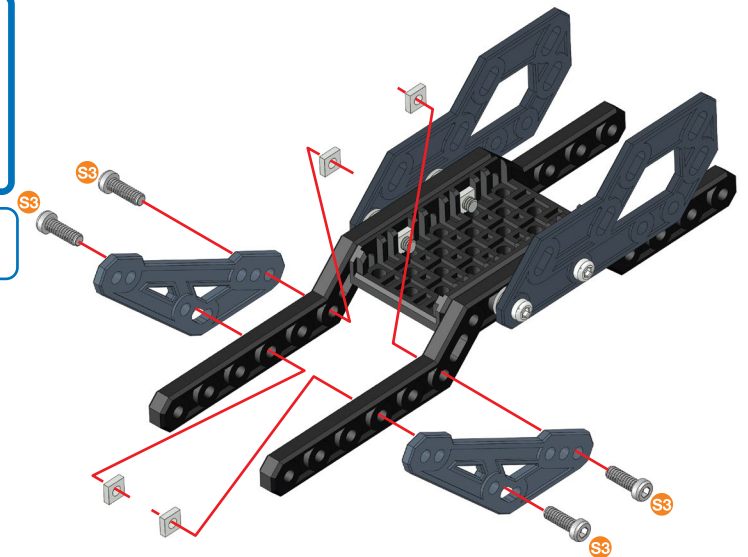
	1:1
--	-----



### 3

	12 mm 1/2 in 1/2 po	x4
		x4
		x2

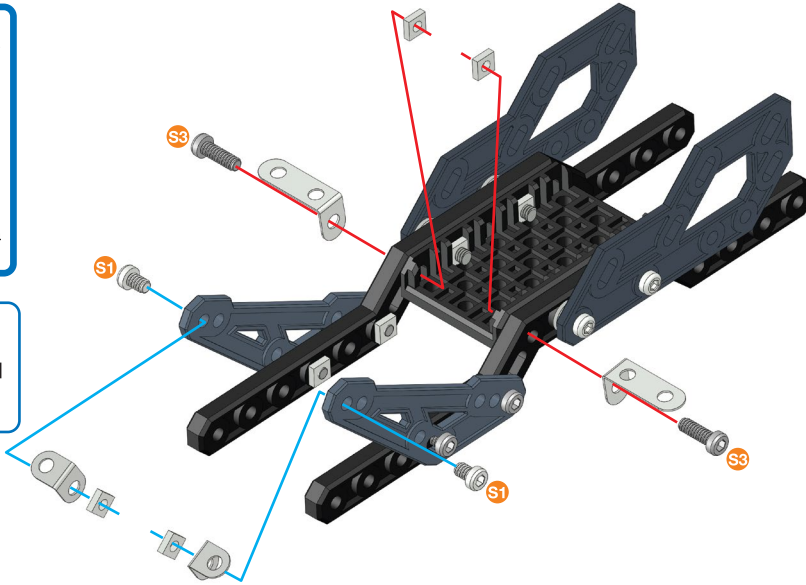
	1:1
--	-----



**4**

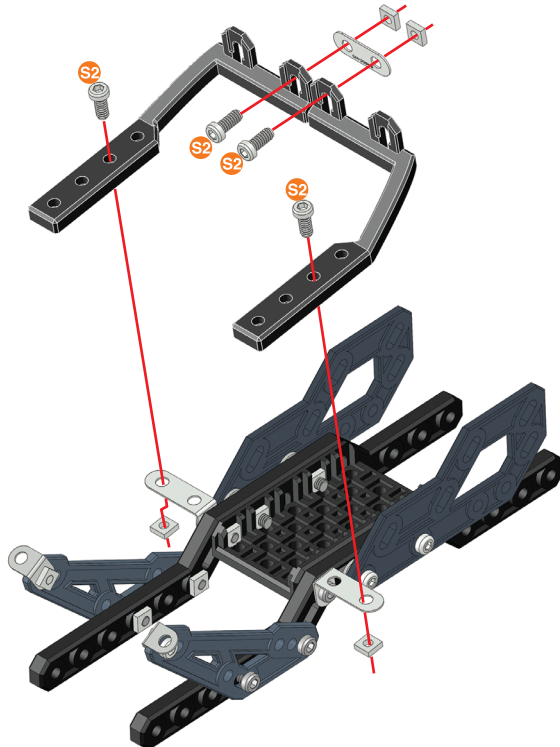
	12 mm 1/2 in 1/2 po	<b>x2</b>
	5.8 mm 15/64 in 15/64 po	<b>x2</b>
		<b>x4</b>
		<b>x2</b>
		<b>x2</b>

	<b>1:1</b>

**5**

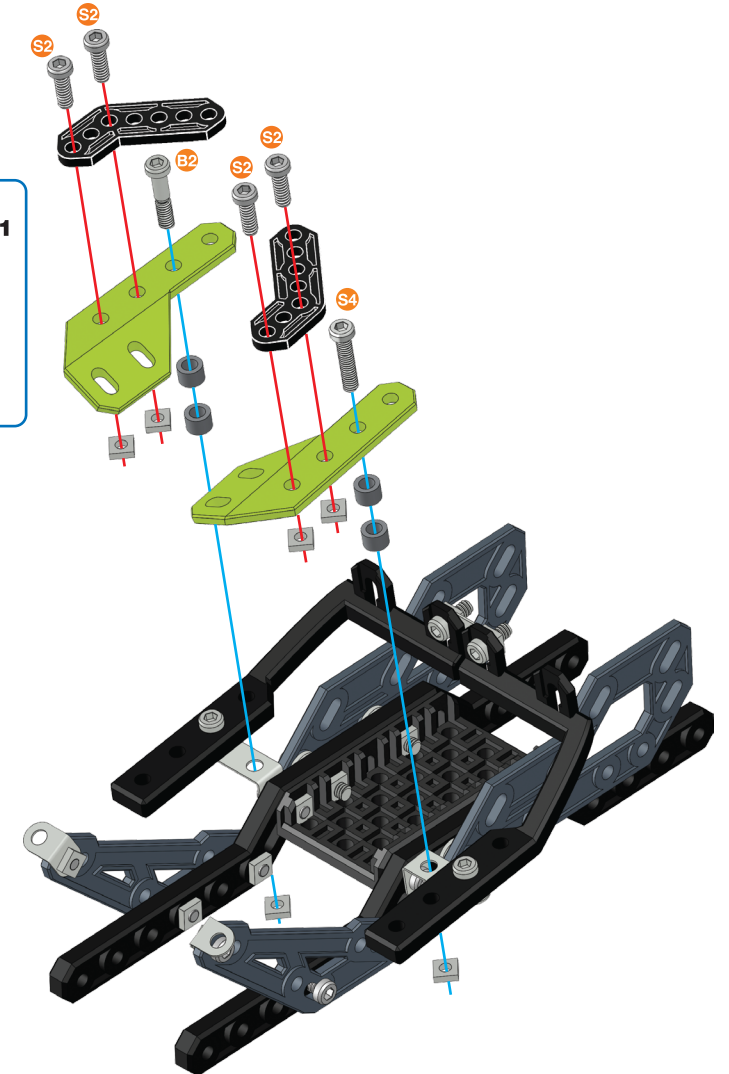
	9.5 mm 3/8 in 3/8 po	<b>x4</b>
		<b>x4</b>
		<b>x1</b>
		<b>x1</b>
		<b>x1</b>

	<b>1:1</b>
--	------------

**6**

	9.5 mm 3/8 in 3/8 po	<b>x4</b>
	19 mm 3/4 in 3/4 po	<b>x1</b>
	19 mm 3/4 in 3/4 po	<b>x1</b>
		<b>x6</b>
		<b>x4</b>
		<b>x2</b>
		<b>x1</b>
		<b>x1</b>

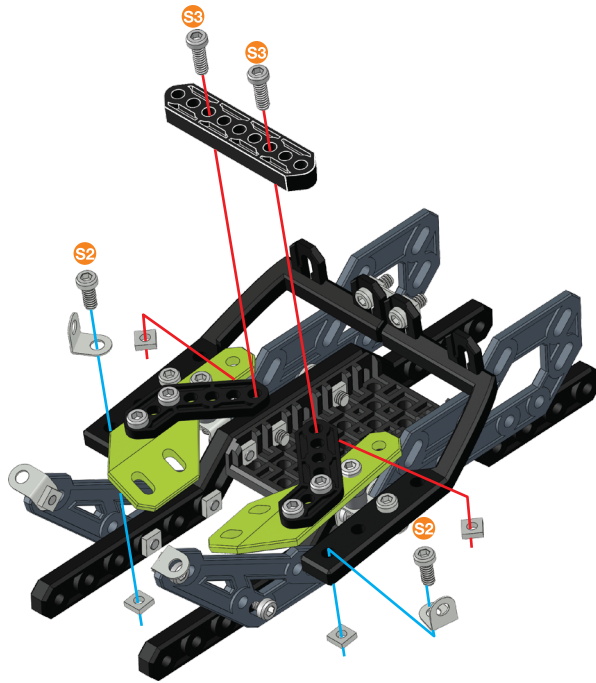
		<b>A338</b>	<b>1:1</b>
		<b>S2</b>	
		<b>B2</b>	
		<b>S4</b>	



7

- 12 mm | 1/2 in | 1/2 po | **x2**
- 9.5 mm | 3/8 in | 3/8 po | **x2**
- x2**
- x4**
- x1**

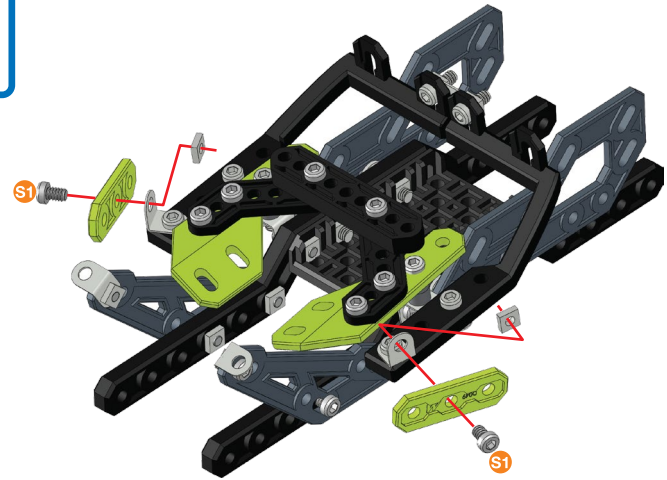
- 1:1**
- 1:1**



8

- 5.8 mm | 15/64 in | 15/64 po | **x2**
- x2**
- x2**

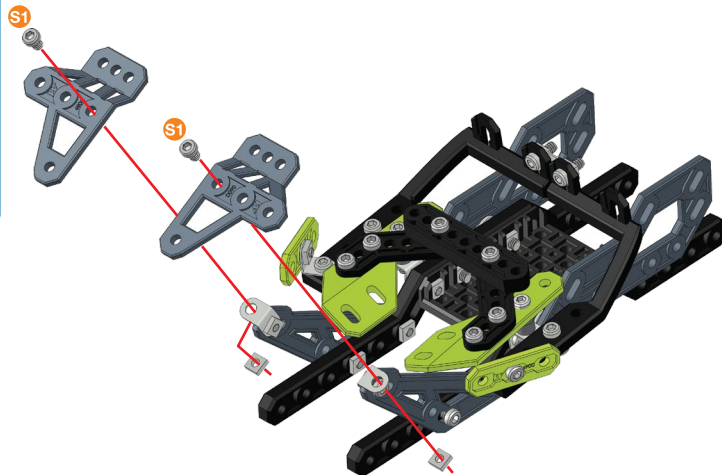
- 1:1**



9

- 5.8 mm | 15/64 in | 15/64 po | **x2**
- x2**
- x1**
- x1**

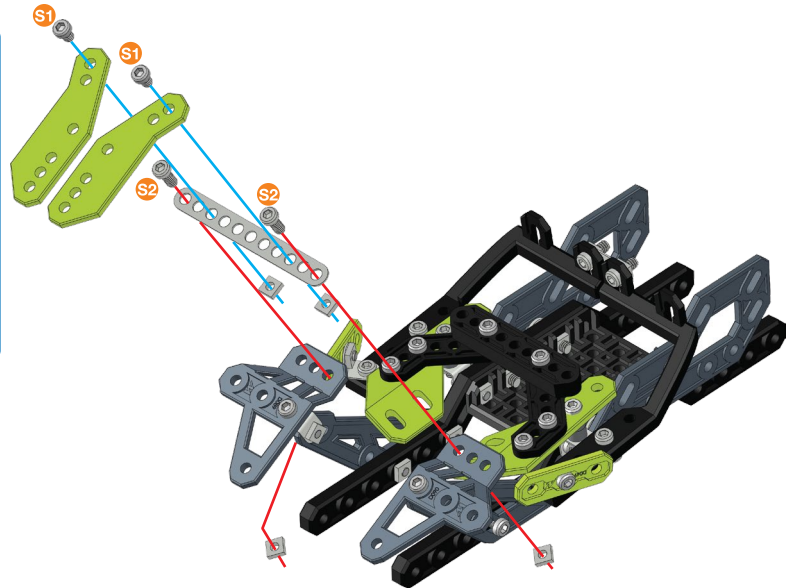
- 1:1**







10

- 5.8 mm | 15/64 in | 15/64 po | **x2**
- 9.5 mm | 3/8 in | 3/8 po | **x2**
- x4**
- x1**
- x2**

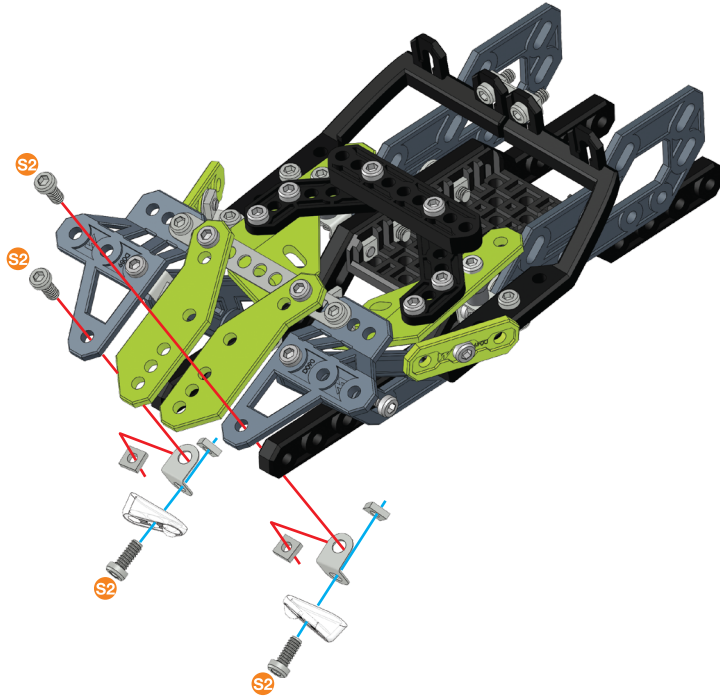
- 1:1**
- 1:1**






# 11

-  9.5 mm | 3/8 in | 3/8 po | **x4**
-  | **x4**
-  | **x2**
-  | **x2**

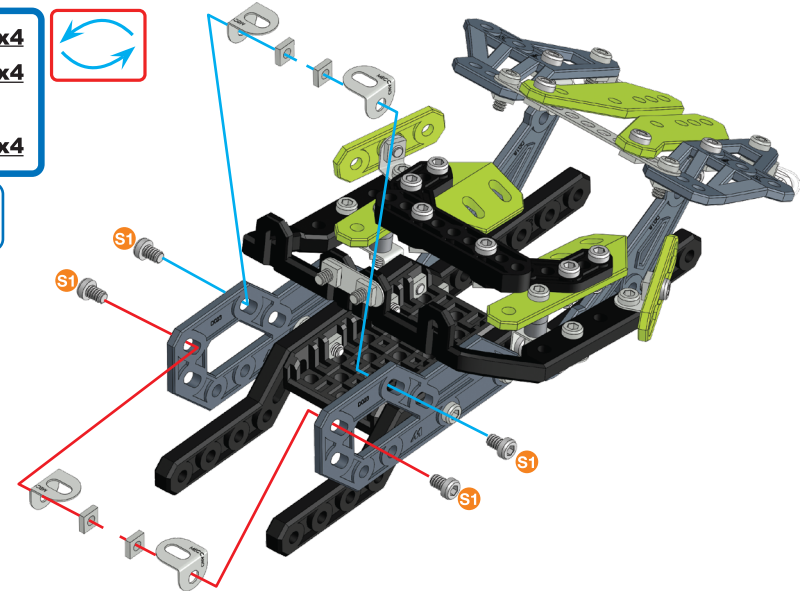
-  | **S2** | **1:1**






# 12


-  5.8 mm | 15/64 in | 15/64 po | **x4**
-  | **x4**
-  | **x4**

-  | **S1** | **1:1**



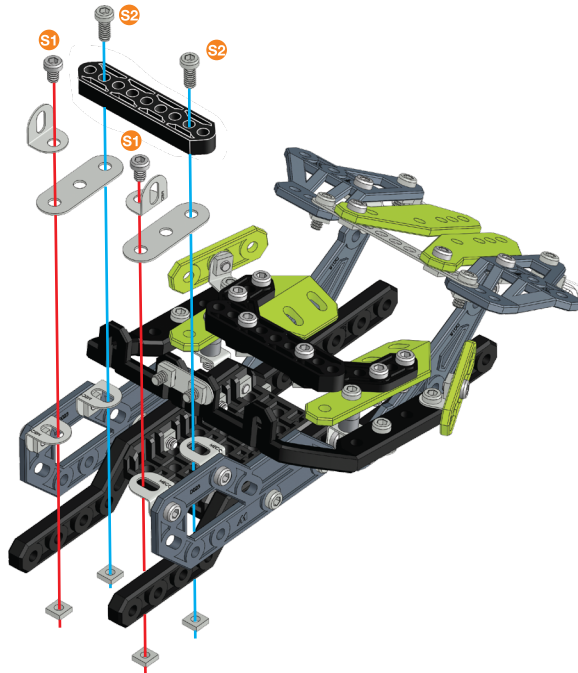
# 13

-  5.8 mm | 15/64 in | 15/64 po | **x2**
-  9.5 mm | 3/8 in | 3/8 po | **x2**
-  | **x4**

-  | **x1**

-  | **x2**
-  | **x2**

-  | **S1** | **1:1**
-  | **S2** | **1:1**

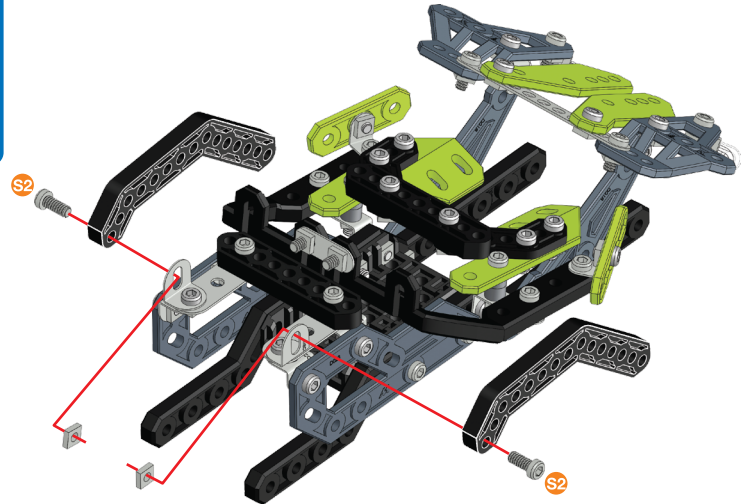


# 14

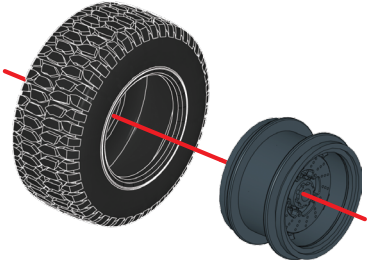
-  9.5 mm | 3/8 in | 3/8 po | **x2**
-  | **x2**

-  | **x2**

-  | **S2** | **1:1**

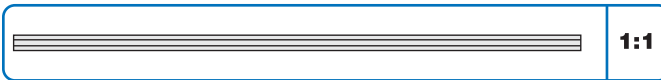
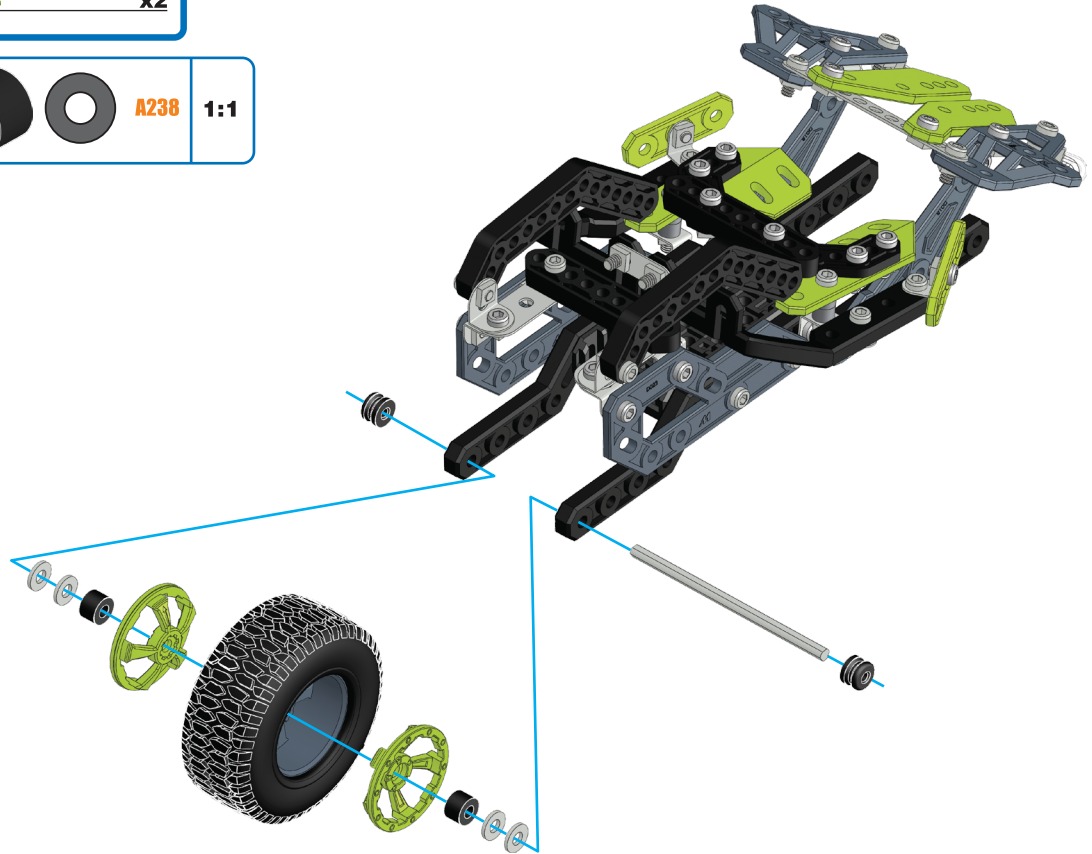
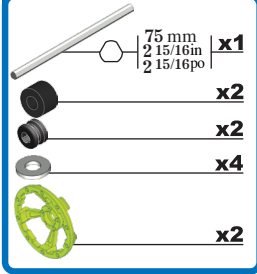


15



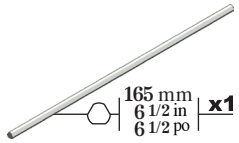
16

(14)+(15)+



17

(15)+(16)+



x1



x2



x2

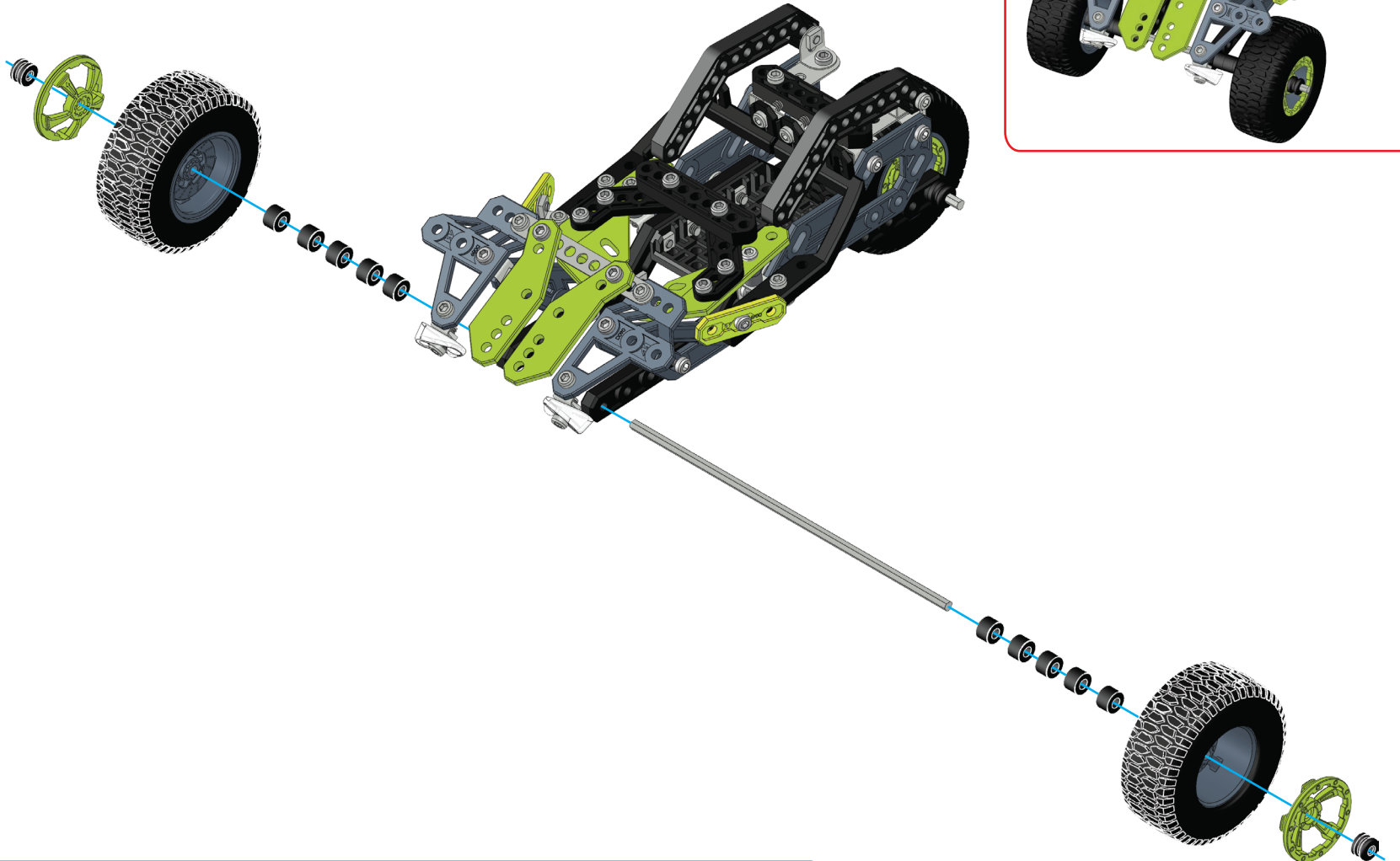


x10



A238

1:1



1:1